

ROGUE



User Manual



Model ID: ROGUER1ESPOT



Edition Notes

The Rogue R1E Spot User Manual includes a description, safety precautions, installation, programming, operation, and maintenance instructions for the Rogue R1E Spot as of the release date of this edition.

Trademarks

Chauvet, Chauvet Professional, the Chauvet logo, Rogue, Outcast, and Rogue Outcast are registered trademarks or trademarks of Chauvet & Sons, LLC (d/b/a Chauvet and Chauvet Lighting) in the United States and other countries. Other company and product names and logos referred to herein may be trademarks of their respective companies.

Copyright Notice

The works of authorship contained in this manual, including, but not limited to, all designs, text, and images are owned by Chauvet.

© **Copyright 2024 Chauvet & Sons, LLC. All rights reserved.**

Electronically published by Chauvet in the United States of America.

Manual Use

Chauvet authorizes its customers to download and print this manual for professional information purposes only. Chauvet expressly prohibits the usage, copy, storage, distribution, modification, or printing of this manual or its content for any other purpose without written consent from Chauvet.

Document Printing

For best results, print this document in color, on letter size paper (8.5 x 11 in), double-sided. If using A4 paper (210 x 297 mm), configure the printer to scale the content accordingly.

Intended Audience

Any person installing, operating, and/or maintaining this product should completely read through the guide that shipped with the product, as well as this manual, before installing, operating, or maintaining this product.

Disclaimer

Chauvet believes that the information contained in this manual is accurate in all respects. However, Chauvet assumes no responsibility and specifically disclaims any and all liability to any party for any loss, damage, or disruption caused by any errors or omissions in this document, whether such errors or omissions result from negligence, accident, or any other cause. Chauvet reserves the right to revise the content of this document without any obligation to notify any person or company of such revision, however, Chauvet has no obligation to make, and does not commit to make, any such revisions.

Document Revision

Go to www.chauvetprofessional.com for the latest version.

Revision	Date	Description
3	05/2024	Updated DMX Chart to remove Virtual Strobe

TABLE OF CONTENTS

1. Before You Begin 1

 What Is Included 1

 Claims 1

 Text Conventions 1

 Symbols 1

 Safety Notes..... 2

 FCC Statement of Compliance 3

 Expected LED Lifespan..... 3

2. Introduction 4

 Description 4

 Features 4

 Product Overview..... 4

 Product Dimensions 5

3. Setup 6

 AC Power 6

 AC Plug 6

 Power Linking..... 6

 Fuse Replacement 6

 DMX Linking..... 6

 DMX Personalities..... 6

 Remote Device Management..... 6

 USB Update 7

 Mounting 8

 Orientation..... 8

 Rigging 8

 Procedure..... 8

 Color Wheel 9

 Gobo Wheels 9

 Rotating Gobo Dimensions 9

 Gobo Replacement 10

 Procedure 10

 Gobo Replacement Diagrams..... 10

4. Operation 11

 Control Panel Description 11

 Menu Map 11

 DMX Configuration..... 12

 Control Personalities 12

 Starting Address..... 12

 Control Channel Assignments and Values..... 13

 Test Mode 17

 Auto Test..... 17

 Manual Test 17

 Setup Configuration 17

 Pan Reverse 17

 Tilt Reverse 17

 Screen Reverse 17

 Pan Angle..... 17

 Tilt Angle 17

 Pan and Tilt Movement Blackout 17

 Color Movement Blackout 18

Gobo Movement Blackout.....	18
LED Power.....	18
Fan Mode.....	18
LED Frequency.....	18
Reset Function.....	18
Factory Reset.....	18
System Information.....	19
Offset Mode.....	19
5. Maintenance.....	20
Product Maintenance.....	20
Gobo Maintenance.....	20
Transporting on Truss or Racks.....	21
6. Technical Specifications.....	22
Contact Us.....	23
Warranty & Returns.....	23

Before You Begin

1. Before You Begin

What Is Included

- Rogue R1E Spot
- (2) 140D Omega brackets with mounting hardware
- Seetronic Powerkon IP65 power cable
- Quick Reference Guide

Claims

Carefully unpack the product immediately and check the container to make sure all the parts are in the package and are in good condition.




If the box or the contents (the product and included accessories) appear damaged from shipping, or show signs of mishandling, notify the carrier immediately, not Chauvet. Failure to report damage to the carrier immediately may invalidate a claim. In addition, keep the box and contents for inspection.

For other issues, such as missing components or parts, damage not related to shipping, or concealed damage, file a claim with Chauvet within 7 days of delivery.

Text Conventions

Convention	Meaning
1–512	A range of values
50/60	A set of values of which only one can be chosen
Settings	A menu option not to be modified
<ENTER>	A key to be pressed on the product’s control panel

Symbols

Symbol	Meaning
	Critical installation, configuration, or operation information. Not following these instructions may make the product not work, cause damage to the product, or cause harm to the operator.
	Important installation or configuration information. The product may not function correctly if this information is not used.
	Useful information.



The term “DMX” used throughout this manual refers to the USITT DMX512-A digital data transmission protocol.

Safety Notes

Read all the following safety notes before working with this product. These notes contain important information about the installation, usage, and maintenance of this product.



This product contains no user-serviceable parts. Any reference to servicing in this User Manual will only apply to properly trained, certified technicians. Do not open the housing or attempt any repairs.



All applicable local codes and regulations apply to proper installation of this product.

- The luminaire is intended for professional use only.
- The luminaire should be positioned so that prolonged staring into the luminaire at a distance closer than 5 m is not expected.
- If the external flexible cable or cord of this luminaire is damaged, it shall be replaced by a special cord or cord exclusively available from the manufacturer or its service agent.
- The light source contained in this luminaire shall only be replaced by the manufacturer or its service agent or a similar qualified person.
- **CAUTION:**
 - This product's housing may be hot when operating. Mount this product in a location with adequate ventilation, at least 20 in (50 cm) from adjacent surfaces.
 - When transferring the product from extreme temperature environments, (e.g., cold truck to warm humid ballroom) condensation may form on the internal electronics of the product. To avoid causing a failure, allow the product to fully acclimate to the surrounding environment before connecting it to power.
 - Flashing light is known to trigger epileptic seizures. User must comply with local laws regarding notification of strobe use.
- **ALWAYS:**
 - Disconnect from power before cleaning the product or replacing the fuse.
 - Replace the fuse with the same type and rating.
 - Use a safety cable when mounting this product overhead.
 - Connect this product to a grounded and protected circuit.
- **DO NOT:**
 - Open this product. It contains no user-serviceable parts.
 - Look at the light source when the product is on.
 - Leave any flammable material within 20 cm of this product while operating or connected to power.
 - Connect this product to a dimmer or rheostat.
 - Operate this product if the housing, lenses, or cables appear damaged.
- **ONLY** use the handles or the hanging/mounting brackets to carry this product.
- The maximum ambient temperature is 113 °F (45 °C). Do not operate this product at higher temperatures.
- The minimum startup temperature is -4°F (-20°C). Do not start the product at lower temperatures.
- The minimum ambient temperature is 14°F (-10°C). Do not operate the product at lower temperatures.
- To eliminate unnecessary wear and improve its lifespan, during periods of non-use completely disconnect the product from power via breaker or by unplugging it.
- In the event of a serious operating problem, stop using immediately.



If a Chauvet product requires service, contact Chauvet Technical Support.

Before You Begin

FCC Statement of Compliance

This device complies with Part 15 Part B of the FCC rules. Operation is subject to the following two conditions:

1. This device may not cause harmful interference, and
2. This device must accept any interference received, including interference that may cause undesired operation.

This equipment has been tested and found to comply with the limits for a Class B digital device, pursuant to Part 15 of the FCC Rules. These limits are designed to provide reasonable protection against harmful interference in a residential installation. This equipment generates uses and can radiate radio frequency energy and, if not installed and used in accordance with the instructions, may cause harmful interference to radio communications. However, there is no guarantee that interference will not occur in a particular installation. If this equipment does cause harmful interference to radio or television reception, which can be determined by turning the equipment off and on, the user is encouraged to try to correct the interference by one or more of the following measures:

- Reorient or relocate the receiving antenna.
- Increase the separation between the equipment and receiver.
- Connect the equipment into an outlet on a circuit different from that to which the receiver is connected.
- Consult the dealer or an experienced radio/TV technician for help.

Any changes or modifications not expressly approved by the party responsible for compliance could void the user's authority to operate the equipment.

Expected LED Lifespan

Over time, use and heat will gradually reduce LED brightness. Clustered LEDs produce more heat than single LEDs, contributing to shorter lifespans if always used at full intensity. The average LED lifespan is 40,000 to 50,000 hours. To extend LED lifespan, maintain proper ventilation around the product, and limit the overall intensity.

2. Introduction

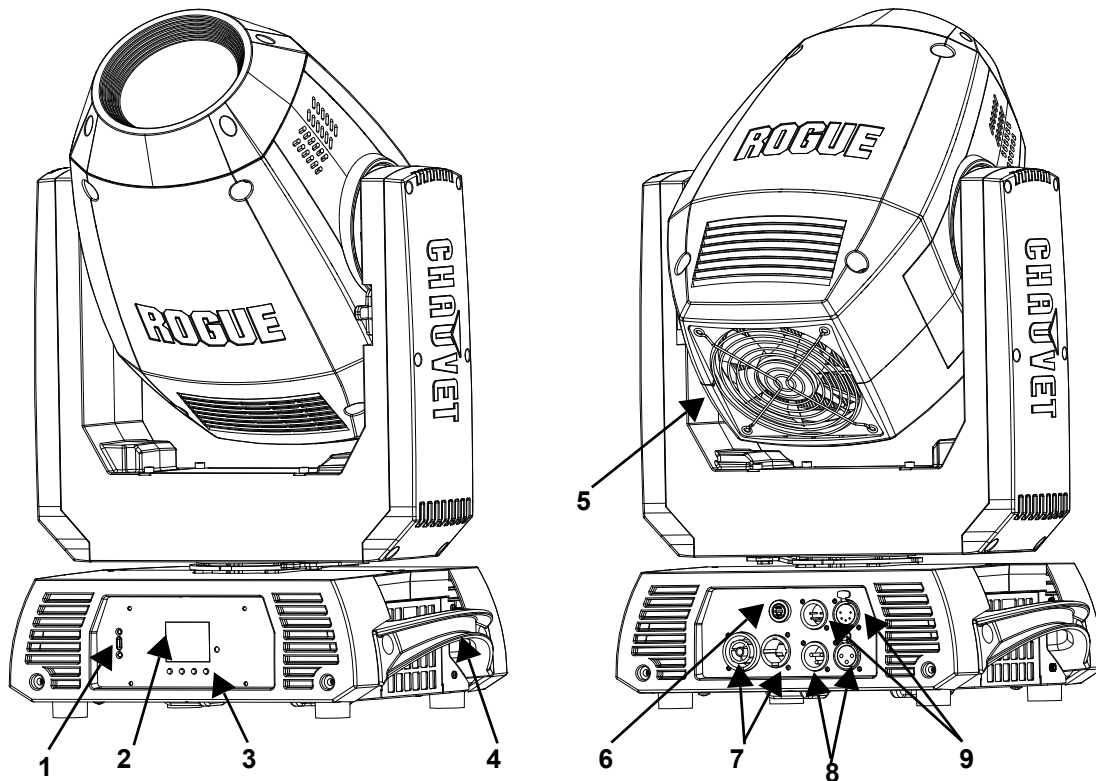
Description

Rogue R1E Spot houses an intensely bright optical system and feature-packed effects wheelhouse in a rugged lightweight body. Dual gobo wheels combine perfectly to create complex gobo morphing. A single color wheel offers split colors and continuous variable speed scrolling. Iris, prism, and frost provide stunning effects and full beam control. 16-bit dimming and selectable PWM settings deliver smooth flicker-free performance, live or on camera.

Features

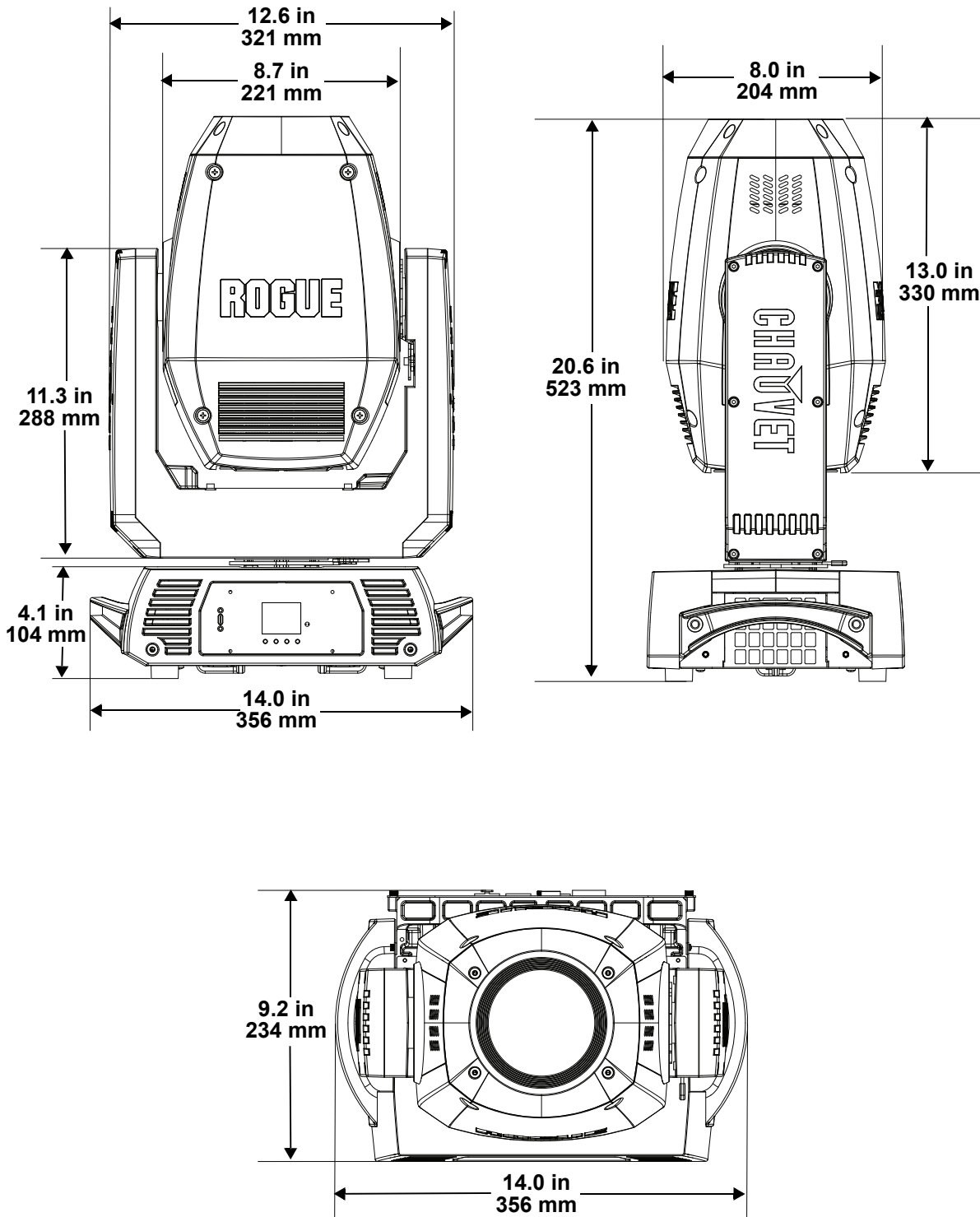
- Fully featured 200W yoke spot fixture including a color wheel, a 3-facet prism, a frost, and a static and rotating gobo wheel.
- 16-bit dimming of master dimmer for smooth control of fades
- 3-facet prism for arial and textured effects
- Frost for beam control
- RDM control over DMX for fixture reporting
- Compact and lightweight design for easy hanging and storage
- TRUE1-compatible power input/output connections for power linking
- 3- and 5-pin DMX input/output connections
- Selectable LED maximum output to match legacy Rogue R1 Spots
- Selectable PWM settings to maintain flicker-free operation on camera
- Simple and complex DMX channel profiles for programming versatility

Product Overview



#	Name	#	Name
1	USB-C port	6	Fuse holder
2	LED display	7	Power in/out
3	Menu buttons	8	3-pin DMX in/out
4	Carry handle (2x)	9	5-pin DMX in/out
5	Fan		

Product Dimensions



3. Setup

AC Power

The Rogue R1E Spot has an auto-ranging power supply, and it can work with an input voltage range of 100 to 240 VAC, 50/60 Hz.

To determine the product's power requirements (circuit breaker, power outlet, and wiring), use the current value listed on the label affixed to the product's back panel, or refer to the product's specifications chart. The listed current rating indicates the product's average current draw under normal conditions.



- **Always connect the product to a protected circuit (a circuit breaker or fuse). Make sure the product has an appropriate electrical ground to avoid the risk of electrocution or fire.**
- **To eliminate unnecessary wear and improve its lifespan, during periods of non-use completely disconnect the product from power via breaker or by unplugging it.**



Never connect the product to a rheostat (variable resistor) or dimmer circuit, even if the rheostat or dimmer channel serves only as a 0 to 100% switch.

AC Plug

The Rogue R1E Spot comes with a power input cable terminated with a Seetronic Powerkon A connector on one end and bare wire on the other end (U.S. market). Use the table below to wire a plug.

Connection	Wire (U.S.)	Wire (Europe)	Screw Color
AC Live	Black	Brown	Yellow or Brass
AC Neutral	White	Blue	Silver
AC Ground	Green/Yellow	Green/Yellow	Green

Power Linking

This product comes with a power input cord. Power-linking cables are available from Chauvet for purchase. It is possible to power link Rogue R1E Spot products. See the table below for the current draw at each voltage and frequency:

	100 V, 60 Hz	120 V, 60 Hz	208 V, 60 Hz	230 V, 50 Hz	240 V, 50 Hz
Current Draw	3.17 A	2.63 A	1.50 A	1.36 A	1.32 A

Never exceed 12 A on a single circuit. Power-linking cables can be purchased separately.

Fuse Replacement

1. Disconnect this product from the power outlet.
2. Using a flat-head screwdriver, unscrew the fuse holder cap from the housing.
3. Remove the blown fuse and replace with another fuse of the same type and rating (F 7 A, 250 V).
4. Screw the fuse holder cap back in place and reconnect power.

DMX Linking

The Rogue R1E Spot can be linked to a DMX controller using a 3-pin or 5-pin DMX connection. If using other DMX-compatible products with this product, each can be controlled individually with a single DMX controller. For more information about DMX, read the DMX primer at:

https://www.chauvetprofessional.com/wp-content/uploads/2016/06/DMX_Primer.pdf.

DMX Personalities

The Rogue R1E Spot uses a 3-pin or 5-pin DMX data connection for the 16- and 19-channel DMX personalities.

- Refer to the [Operation](#) chapter to learn how to configure the Rogue R1E Spot to work in these personalities.
- The [DMX Values](#) section provides detailed information regarding the DMX personalities.

Remote Device Management

Remote Device Management (RDM) is a standard for allowing DMX-enabled devices to communicate bi-directionally along existing DMX cabling. Check the DMX controller's User Manual or with the manufacturer as not all DMX controllers have this capability. The Rogue R1E Spot supports RDM protocol that allows feedback to make changes to menu map options.

USB Update

The Rogue R1E Spot allows for software update through USB using the built-in USB port. To update the software using a USB type C flash drive, do the following:

1. Power on the fixture and plug the flash drive into the USB port.
2. Once the flash drive has been detected, the message “**USB UPDATE**” will be displayed. Select **YES**.
3. The next screen will show the software versions available for this fixture on the USB drive. For multiple versions of the software for the same fixture, use <UP> or <DOWN> to select the desired version. Press <ENTER>.
4. The “**USB UPDATE**” screen will re-appear. Select **YES**.
5. The upgrade will start. **DO NOT** turn off the power or disconnect the USB while the USB LED is still blinking during the process. The screen display will read: “**USB UPDATE WAIT**”. USB update can take several minutes to complete.



When the USB stops blinking, all the motors will power down and the display will go blank. DO NOT turn off the power. The fixture will automatically reboot when the update is done.

6. Go to the Fixture Information on the product's menu map and confirm the firmware revision
7. When the boot-up process is finished, restart the product.



- Place the .chl file in the root directory of the USB drive.
- The product's USB port supports up to 32GB capacity and only works with FAT32 file format.



Turning off the power or removing the USB while still blinking during the update will cause partial or total firmware failure in the targeted fixture(s). If this occurs, the user will need the UPLOAD 08 device to fix this. Please contact Chauvet regarding this device.

Mounting

Before mounting the product, read and follow the safety recommendations indicated in the Safety Notes. For the Chauvet Professional line of mounting clamps, go to <http://trusst.com/products/>.

Orientation

Always mount this product in a safe position, making sure there is adequate room for ventilation, configuration, and maintenance.

Rigging

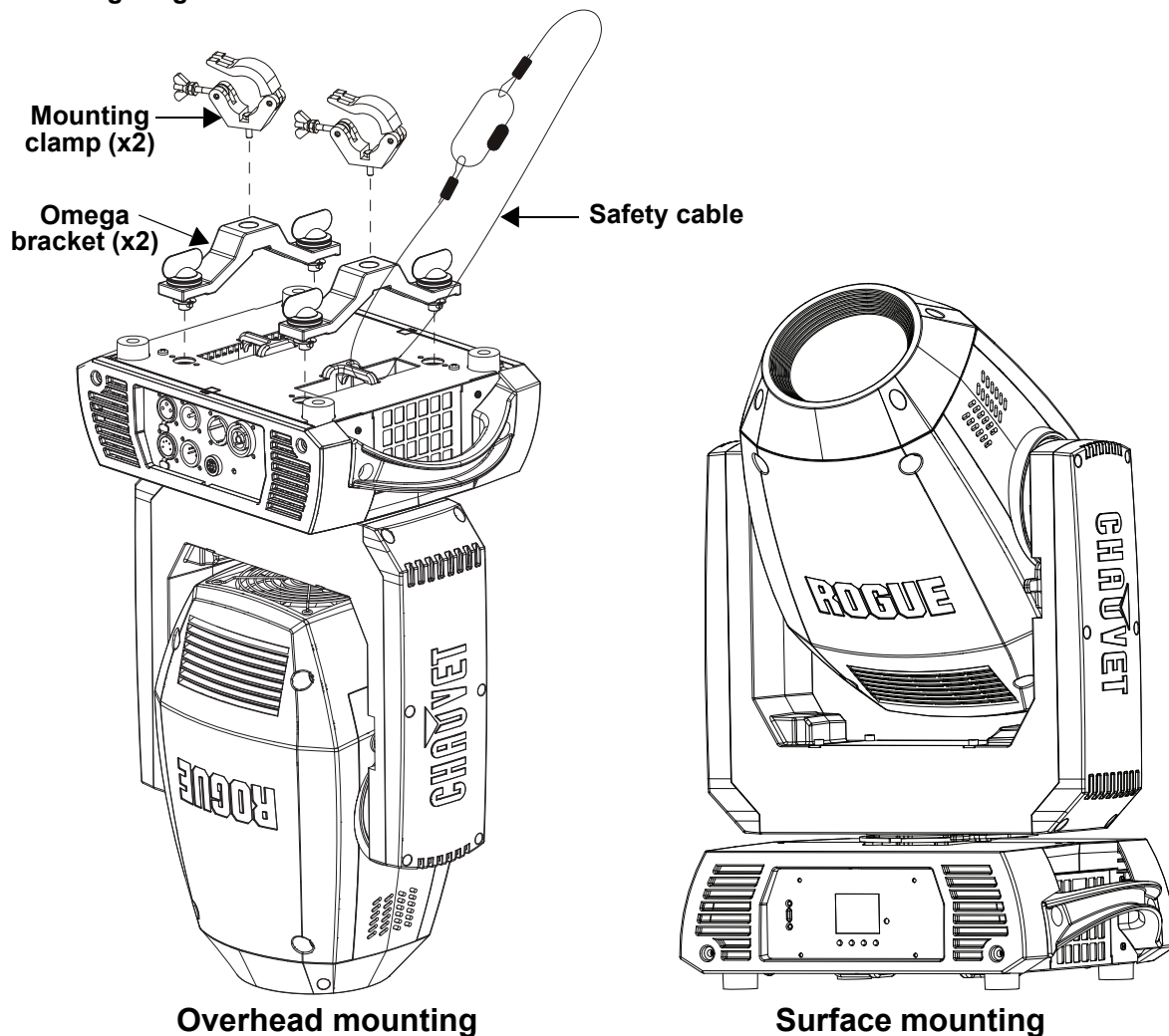
Chauvet recommends using the following general guidelines when mounting this product.

- Before deciding on a location for the product, make sure there is easy access to the product for maintenance and programming purposes.
- Make sure that the structure and attachment points can support the weight before hanging the product (see the [Technical Specifications](#) for weight information).
- When mounting the product overhead, always use a safety cable. Mount the product securely to a rigging point, whether an elevated platform or a truss.
- When rigging the product onto a truss, use a mounting clamp of appropriate weight capacity.

Procedure

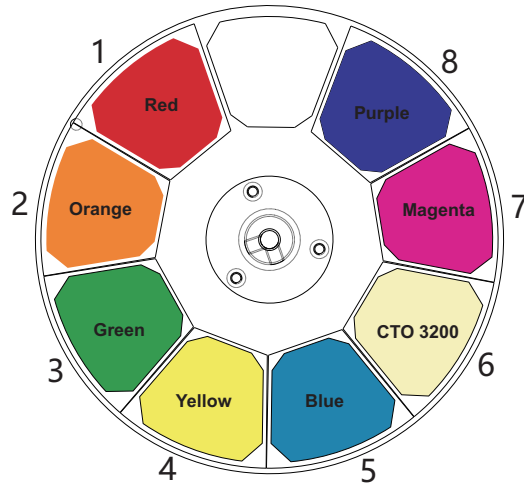
The Rogue R1E Spot comes with 2 Omega brackets to which the user can directly attach the mounting clamps (sold separately). Make sure the clamps are capable of supporting the weight of this product. Use at least two mounting points per product.

Mounting Diagram

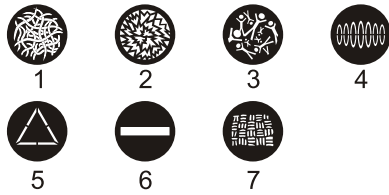
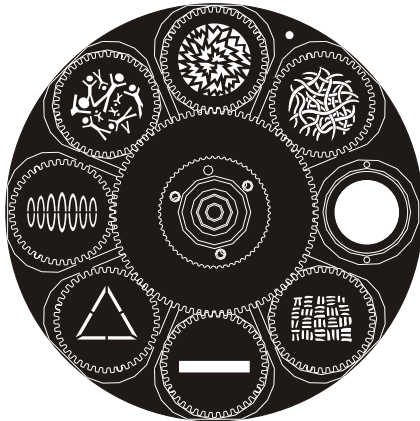


Setup

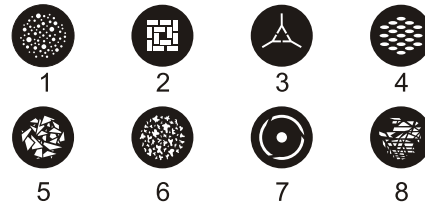
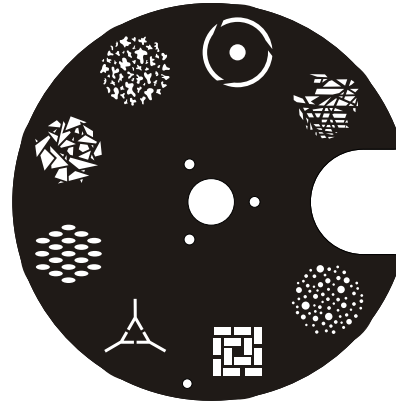
Color Wheel



Gobo Wheels

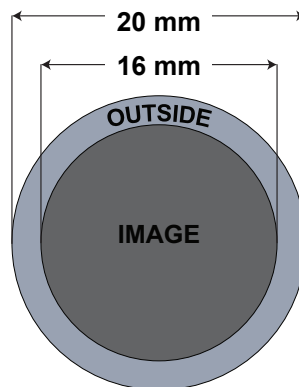


Gobo Wheel 1
(Rotating gobo wheel)



Gobo Wheel 2
(Static gobo wheel)

Rotating Gobo Dimensions



Gobo Replacement

The gobos in the Rogue R1E Spot are removable from their gobo holders.



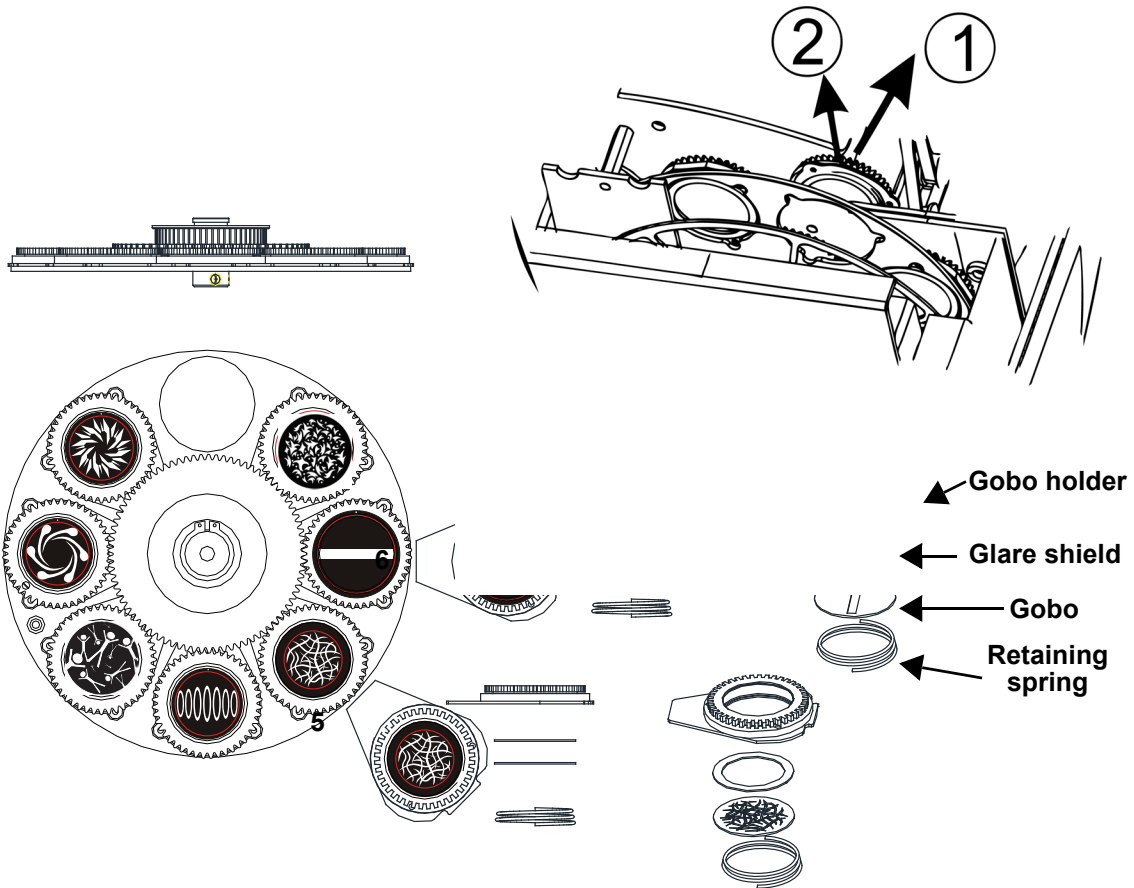
- **Make sure to disconnect the product's power cable before replacing a gobo.**
- **Always replace a gobo with a gobo of the same dimensions.**
- **When inserting a glass gobo, always make sure that the shiny side of the gobo (glass base) faces the lamp. This provides a layer of protection against the high temperature from the lamp.**
- **All custom gobos in the Rogue R1E Spot gobo wheel 1 must be aluminum or glass.**

Procedure

Follow the recommended procedure below to remove or replace the gobos:

1. Turn the product off and disconnect it from the power outlet.
2. Open the head cover by loosening the 4 Phillips-head ¼-turn screws on the sides of the top cover.
3. Separate the gobo holder away from the gobo wheel by pushing it toward the front of the moving head (see direction 1 in the diagram). Be careful not to push the gobo out of the gobo holder.
4. Extract the gobo holder by pulling it outward (see direction 2 in the diagram).
5. On a flat surface, remove the expansion ring that holds the gobo in place and remove the gobo from the gobo holder.
6. Insert a new gobo and hold it in place with the expansion ring.
7. Slide the tip of the gobo holder under the pressure plate near the center of the gobo wheel.
8. Push the gobo holder inwards. **DO NOT** force the gobo holder into the gobo wheel slot. If correctly installed, the gobo plate should easily slide itself into the gobo wheel slot.

Gobo Replacement Diagrams



- **Gobo illustrations are for reference purposes only. Gobo designs may differ from those installed in the product.**
- **Gobo holders 5 and 6 are slightly smaller to accommodate glass gobos.**
- **See [Gobo Maintenance](#) for instructions on how to clean the gobos and gobo holder.**

4. Operation

Control Panel Description

Button	Function
<MENU>	Exits from the current menu or function
<ENTER>	Enables the currently displayed menu or sets the currently selected value into the selected function
<UP>	Navigates upwards through the menu list or increases the numeric value when in a function
<DOWN>	Navigates downwards through the menu list or decreases the numeric value when in a function

Menu Map

Refer to the Rogue R1E Spot product page on www.chauvetprofessional.com for the latest menu map and software.

Main Level	Programming Levels		Description	
Address	001–498		Sets the starting address	
Run Mode	DMX	16CH 19 CH	Selects the DMX personality	
	Auto Test		Auto test all functions	
	Manual Test	Pan	0–255	Manually control and test all settings through the control panel
		Pan Fine		
		Tilt		
		Tilt Fine		
		P/T Speed		
		Dimmer		
		Dimmer Fine		
		Shutter		
		Virtual Shaking		
		Color1		
		Color2		
		Gobo		
		Gobo Rot		
		Gobo2		
		Focus		
Prism				
R-Prism				
Iris				
Frost				
P/T Macro				
P/T Ma. Speed				
Special Function				
Setup	Pan Reverse	OFF	Normal pan	
		ON	Reversed pan	
	Tilt Reverse	OFF	Normal tilt	
		ON	Reversed tilt	
	Screen Rev	OFF	Normal screen display	
		ON	Inverted screen display	
	Pan Angle	540	540° pan range	
		360	360° pan range	
		180	180° pan range	
	Tilt Angle	260	260° tilt range	
180		180° tilt range		
90		90° tilt range		
BL. O. P/T Move	NO	Do not blackout while pan/tilt is moving		
	YES	Blackout while pan/tilt is moving		

Main Level	Programming Levels		Description
Setup (cont.)	BL. O. Color Move	NO	Do not blackout while color wheel is moving
		YES	Blackout while color wheel is moving
	BL. O. Gobo Move	NO	Do not blackout while gobo wheel is moving
		YES	Blackout while gobo wheel is moving
	LED Power	0–100	Sets LED power
	Fans	Auto	Fan speed according to product temperature
		Full	Fan speed set on high
		ECO	Quiet mode
	Display	OFF	Display times out
		ON	Display stays on
	PWM Option	600Hz	Sets the Pulse Width Modulation frequency
		1200Hz	
		2000Hz	
		4000Hz	
		6000Hz	
USB Update	NO	Enables/disables updating firmware through USB	
	YES		
Reset Function	Pan/Tilt	NO/YES	Reset individual functions or all functions from start-up
	Prism		
	Color / Frost		
	Gobo / Gobo Rot / Gobo2		
	Focus / Iris		
All			
Factory Settings	NO	Reset to factory default settings	
	YES		
Sys Info	Ver	V_._-_-_-_-_-	Shows current firmware version
	Running Mode	-_-_-	Shows current running mode
	DMX Address	-_-_-	Shows current DMX address
	Temperature	-_-	Shows the product's temperature in °C
	UID	-_-_-_-_-_-_-_-_-	Shows product UID

DMX Configuration

Use control configurations to operate the product with a DMX controller.

Control Personalities

To set the control personality:

1. Go to the **Run Mode** main level.
2. Select the **DMX** option.
3. Select the desired personality, from **16CH** or **19CH**.



- See the [Starting Address](#) section for the highest selectable starting address for each personality.
- Make sure that the starting addresses on the various products do not overlap due to the new personality setting.

Starting Address

Each product will respond to a unique starting address from the controller. All products with the same starting address will respond in unison. To set the starting address:

1. Go to the **Address** main level.
2. Select the starting address (**001–496**).
 - The highest recommended starting address for **16CH** is **497**.
 - The highest recommended starting address for **19CH** is **494**.

Control Channel Assignments and Values

16CH	19CH	Function	Value	Percent/Setting
1	1	Pan	000 ⇔ 255	0–100%
2	2	Fine pan	000 ⇔ 255	Fine control (16-bit)
3	3	Tilt	000 ⇔ 255	0–100%
4	4	Fine tilt	000 ⇔ 255	Fine control (16-bit)
5	5	Pan/tilt speed	000 ⇔ 255	Fast to slow
6	6	Dimmer	000 ⇔ 255	0–100%
–	7	Fine dimmer	000 ⇔ 255	Fine control (16-bit)
7	8	Strobe	000 ⇔ 003	No function
			004 ⇔ 007	On
			008 ⇔ 076	Synchronized strobe, slow to fast
			000 ⇔ 003	Pulse strobe, slow to fast
			004 ⇔ 007	Random strobe, slow to fast
8	9	Color wheel (see Color Wheel)	000 ⇔ 006	Open (White)
			007 ⇔ 013	Red
			014 ⇔ 020	Orange
			021 ⇔ 027	Green
			028 ⇔ 034	Yellow
			035 ⇔ 041	Blue
			042 ⇔ 048	CTO 3200
			049 ⇔ 055	Magenta
			056 ⇔ 063	Purple
			064 ⇔ 127	Split colors
128 ⇔ 191	Clockwise color scroll, slow to fast			
192 ⇔ 255	Counterclockwise color scroll, slow to fast			
9	10	Rotating gobo wheel (see Gobo Wheels)	000 ⇔ 007	Open
			008 ⇔ 015	Gobo 1
			016 ⇔ 023	Gobo 2
			024 ⇔ 031	Gobo 3
			032 ⇔ 039	Gobo 4
			040 ⇔ 047	Gobo 5
			048 ⇔ 055	Gobo 6
			056 ⇔ 063	Gobo 7
			064 ⇔ 071	Gobo 7 shaking, slow to fast
			072 ⇔ 079	Gobo 6 shaking, slow to fast
			080 ⇔ 087	Gobo 5 shaking, slow to fast
			088 ⇔ 095	Gobo 4 shaking, slow to fast
			096 ⇔ 103	Gobo 3 shaking, slow to fast
			104 ⇔ 111	Gobo 2 shaking, slow to fast
			112 ⇔ 119	Gobo 1 shaking, slow to fast
			120 ⇔ 127	Open
			128 ⇔ 191	Clockwise gobo scroll, slow to fast
192 ⇔ 255	Counterclockwise gobo scroll, slow to fast			

16CH	19CH	Function	Value	Percent/Setting
10	11	Gobo rotation	000 ⇔ 063	Gobo index
			064 ⇔ 146	Clockwise gobo rotation, slow to fast
			147 ⇔ 148	Stop
			149 ⇔ 231	Counterclockwise gobo rotation, slow to fast
			232 ⇔ 255	Gobo rotation back and forth
11	12	Static gobo wheel (see Gobo Wheels)	000 ⇔ 006	Open
			007 ⇔ 013	Gobo 1
			014 ⇔ 020	Gobo 2
			021 ⇔ 027	Gobo 3
			028 ⇔ 034	Gobo 4
			035 ⇔ 041	Gobo 5
			042 ⇔ 048	Gobo 6
			049 ⇔ 055	Gobo 7
			056 ⇔ 063	Gobo 8
			064 ⇔ 071	Gobo 8 shaking, slow to fast
			072 ⇔ 079	Gobo 7 shaking, slow to fast
			080 ⇔ 085	Gobo 6 shaking, slow to fast
			086 ⇔ 092	Gobo 5 shaking, slow to fast
			093 ⇔ 099	Gobo 4 shaking, slow to fast
			100 ⇔ 106	Gobo 3 shaking, slow to fast
107 ⇔ 113	Gobo 2 shaking, slow to fast			
114 ⇔ 120	Gobo 1 shaking, slow to fast			
121 ⇔ 127	Open			
128 ⇔ 191	Clockwise gobo scroll, slow to fast			
192 ⇔ 255	Counterclockwise gobo scroll, slow to fast			
12	13	Focus	000 ⇔ 255	Far to near
13	14	Prism	000 ⇔ 004	No function
			005 ⇔ 255	Prism
14	15	Prism rotation	000 ⇔ 127	Prism index
			128 ⇔ 189	Clockwise prism rotation, fast to slow
			190 ⇔ 193	Stop
			194 ⇔ 255	Counterclockwise prism rotation, slow to fast
15	16	Iris	000 ⇔ 063	0–100%
			064 ⇔ 127	Auto change, slow to fast
			128 ⇔ 191	Slow open - fast close, slow to fast
			192 ⇔ 255	Slow close - fast open, slow to fast

Operation

16CH	19CH	Function	Value	Percent/Setting
			000 ⇔ 007	No function
			008 ⇔ 015	Movement macro 1
			016 ⇔ 023	Movement macro 2
			024 ⇔ 031	Movement macro 3
			032 ⇔ 039	Movement macro 4
			040 ⇔ 047	Movement macro 5
			048 ⇔ 055	Movement macro 6
			056 ⇔ 063	Movement macro 7
			064 ⇔ 071	Movement macro 8
			072 ⇔ 079	Movement macro 9
			080 ⇔ 087	Movement macro 10
			088 ⇔ 095	Movement macro 11
			096 ⇔ 103	Movement macro 12
			104 ⇔ 111	Movement macro 13
			112 ⇔ 126	Movement macro 14
-	17	Movement macro	120 ⇔ 127	Movement macro 15
			128 ⇔ 135	Movement macro 16
			136 ⇔ 143	Movement macro 17
			144 ⇔ 151	Movement macro 18
			152 ⇔ 159	Movement macro 19
			160 ⇔ 167	Movement macro 20
			168 ⇔ 177	Movement macro 21
			176 ⇔ 183	Movement macro 22
			184 ⇔ 191	Movement macro 23
			192 ⇔ 199	Movement macro 24
			200 ⇔ 207	Movement macro 25
			208 ⇔ 215	Movement macro 26
			216 ⇔ 223	Movement macro 27
			224 ⇔ 231	Movement macro 28
			232 ⇔ 239	Movement macro 29
			240 ⇔ 247	Movement macro 30
			248 ⇔ 255	Movement macro 31
-	18	Movement macro speed	248 ⇔ 255	Fast to slow

16CH	19CH	Function	Value	Percent/Setting
16	19	Control (hold for 3 seconds)	000 ⇄ 007	No function
			008 ⇄ 015	Blackout during pan/tilt
			016 ⇄ 023	Blackout while color wheel is moving
			024 ⇄ 031	Blackout while gobo wheel is moving
			032 ⇄ 039	Pan/tilt/color blackout
			040 ⇄ 047	Pan/tilt/gobo blackout
			048 ⇄ 055	Pan/tilt/color/gobo blackout
			056 ⇄ 059	PWM 600Hz
			060 ⇄ 063	PWM 1200Hz
			064 ⇄ 067	PWM 2000Hz
			068 ⇄ 071	PWM 4000Hz
			072 ⇄ 075	PWM 6000Hz
			076 ⇄ 079	PWM 150000Hz
			080 ⇄ 095	No function
			096 ⇄ 103	Pan reset
			104 ⇄ 111	Tilt reset
			112 ⇄ 119	Color wheel reset
			120 ⇄ 127	Gobo wheel reset
			128 ⇄ 135	Gobo rotation reset
			136 ⇄ 143	Prism reset
			144 ⇄ 151	Focus reset
			152 ⇄ 159	All reset
			160 ⇄ 167	Iris reset
			168 ⇄ 191	No function
			192 ⇄ 199	Fan ECO
			200 ⇄ 207	Fan Full
208 ⇄ 215	Fan Auto			
216 ⇄ 255	No function			

Operation

Test Mode

Auto Test

To have the Rogue R1E Spot automatically test all functions one after the other:

1. Go to the **Run Mode** main level.
2. Select the **Auto Test** option.



The Auto Test will end after one full cycle. Press <MENU> at any time to stop.

Manual Test

To manually test an individual function of the Rogue R1E Spot:

1. Go to the **Run Mode** main level.
2. Select the **Manual Test** option.
3. Select a function to test, from **Pan, Pan Fine, Tilt, Tilt Fine, P/T Speed, Dimmer, Dimmer Fine, Shutter, Virtual Shaking, Color1, Color2, Gobo, Gobo Rot, Gobo2, Focus, Prism, R-Prism, Iris, Frost, P/T Macro, P/T Ma. Speed, or Special Function.**
4. Increase or decrease the value of the selected function from **000–255** to test it.



When exiting the Manual Test level, the values of all tested channels will go back to zero.

Setup Configuration

This programming level control's the head movement, lamp adjustments, and maintenance timer of the Rogue R1E Spot.

Pan Reverse

To set the orientation of the pan:

1. Go to the **Setup** main level.
2. Select the **Pan Reverse** option.
3. Select from **NO** (normal pan motion) or **YES** (reversed pan motion).

Tilt Reverse

To set the orientation of the tilt:

1. Go to the **Setup** main level.
2. Select the **Tilt Reverse** option.
3. Select from **NO** (normal tilt motion) or **YES** (reversed tilt motion).

Screen Reverse

To invert the control panel screen:

1. Go to the **Setup** main level.
2. Select the **Screen Rev** option.
3. Select from **NO** (right-side up) or **YES** (upside-down).

Pan Angle

To set the maximum angle of the pan:

1. Go to the **Setup** main level.
2. Select the **Pan Angle** option.
3. Select from **540** (540°), **360** (360°), or **180** (180°).

Tilt Angle

To set the maximum angle of the tilt:

1. Go to the **Setup** main level.
2. Select the **Tilt Angle** option.
3. Select from **250** (250°), **180** (180°), or **90** (90°).

Pan and Tilt Movement Blackout

To engage the shutter to block all light output whenever the product's head is in motion:

1. Go to the **Setup** main level.
2. Select the **BL.O. P/T Move** option.
3. Select from **NO** (deactivates blackout on pan/tilt) or **YES** (activates blackout on pan/tilt).

Color Movement Blackout

To engage the shutter to block all light output whenever the product's color wheel is in motion:

1. Go to the **Setup** main level.
2. Select the **BL.O. P/T Color Move** option.
3. Select from **NO** (deactivates color movement blackout) or **YES** (activates color movement blackout).

Gobo Movement Blackout

To engage the shutter to block all light output whenever the product's gobo wheel is in motion:

1. Go to the **Setup** main level.
2. Select the **BL.O. P/T Gobo Move** option.
3. Select from **NO** (deactivates gobo movement blackout) or **YES** (activates gobo movement blackout).

LED Power

To enable the product to match the light intensity of the original Rogue R1 Spot:

1. Go to the **Setup** main level.
2. Select the **LED Power** option.
3. Choose the LED intensity from **0** to **100**.

Fan Mode

To set the fan speed mode:

1. Go to the **Settings** main level.
2. Select the **Fans** option.
3. Select the fan mode, from **Auto** (fan speed adjusts to product temperature), **Full** (fan speed at maximum), or **ECO** (quiet mode).

LED Frequency

To adjust the Pulse Width Modulation (PWM) frequency of the LED:

1. Go to the **Setup** main level.
2. Select the **PWM Option** option.
3. Select the frequency, from **600Hz**, **1200Hz**, **2000Hz**, **4000Hz**, **6000Hz**, or **15000Hz**.

Reset Function

To reset specific functions to the home position or to reset the entire product:

1. Go to the **Setup** main level.
2. Select the **Reset Function** option.
3. Select the functions to reset, from **Pan/Tilt**, **Prism**, **Color/Frost**, **Gobo/Gobo Rot/Gobo2**, **Focus/Iris**, or **All**.
4. Select **NO** (to cancel) or **YES** (to reset the selected functions).

Factory Reset

To reset the product to original factory settings:

1. Go to the **Setup** main level.
2. Select the **Factory Reset** option.
3. Select **NO** (to cancel) or **YES** (to reset the product configuration).

Operation

System Information

The information section of the menu displays statistics and the current status of the product's various functions. To view this information:

1. Go to the **Sys Info** main level.
2. Use **<UP>** and **<DOWN>** to view all information:
 - **Ver**: The current software version is displayed on the screen.
 - **Running Mode**: The current running mode is displayed on the screen.
 - **DMX Address**: The current DMX address is displayed on the screen.
 - **Temperature**: The current product temperature is displayed on the screen.
 - **UID**: The product UID number is displayed on the screen.

Offset Mode

The Offset mode provides fine adjustments for the home position of all the moving parts in the optical path as well as the pan and tilt movements. When selected, the moving parts do not show any border or reduce the light output when set to the home position. To adjust these options:

1. From the main level screen, press and hold **<MENU>** until the passcode screen appears.
2. Use **<UP>** (increase value) and **<DOWN>** (next value) to enter the passcode: **0920** and press **<ENTER>**.
3. Select the "zero" position to adjust, from **PAN, TILT, GOBO, GOBO ROT, GOBO2, COLOR1, COLOR2, PRISM, FOCUS, FOCUS-IRIS, IRIS, FROST, DIMMER, MAC4, MAC5, or MAC6**.
4. Adjust the "zero" position for the selected function from **000–255**.

5. Maintenance

Product Maintenance

Dust build-up reduces light output performance and can cause overheating. This can lead to reduction of the light source's life and/or mechanical wear. To maintain optimum performance and minimize wear, clean all lighting products at least twice a month. However, be aware that usage and environmental conditions could be contributing factors to increase the cleaning frequency.

To clean the product, follow the instructions below:

1. Unplug the product from power.
2. Wait until the product is at room temperature.
3. Use a vacuum (or dry compressed air) and a soft brush to remove dust collected on the external surface/vents.
4. Clean all transparent surfaces with a mild soap solution, ammonia-free glass cleaner, or isopropyl alcohol.
5. Apply the solution directly to a soft, lint free cotton cloth or a lens cleaning tissue.
6. Softly drag any dirt or grime to the outside of the transparent surface.
7. Gently polish the transparent surfaces until they are free of haze and lint.



Always dry the transparent surfaces carefully after cleaning them.



Do not spin the cooling fans with compressed air. Damage may result.

Gobo Maintenance

To ensure optimal operation, 1) inspect and 2) clean gobos every four months. More frequent maintenance may be necessary if usage is higher.

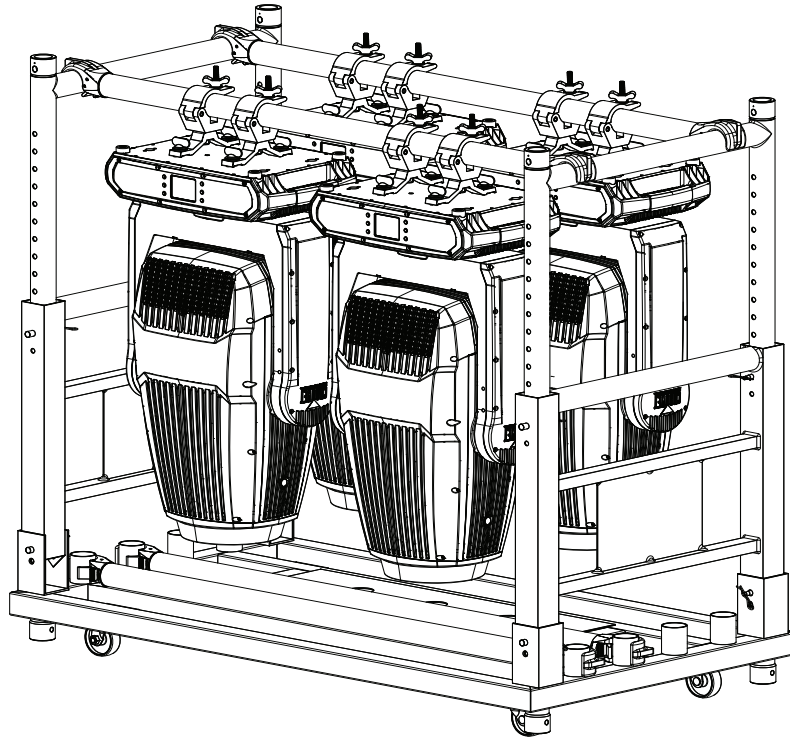
To inspect, remove each gobo holder and check if:

- the holders are clean (free of dirt, grime, or gunk).
- the gobos are properly installed in the holders.
- all the bearings are in place.
- the holders are rotating freely.

To clean the gobos and the gobo holder, follow the instructions below:

1. Remove the gobos from the holder.
2. Clean the gobos with a soft, lint-free cotton cloth. Use an ammonia-free glass cleaner sprayed to a piece of lint-free cotton cloth to clean glass gobos.
3. Submerge the gobo holder (without the gobo installed) in a container with a liquid lubricant (i.e., WD40) and let it rest for a couple of minutes.
4. Shake the container with the gobo holder inside to help release/loosen any gunk/grime/dirt.
5. Take the gobo holder out of the container and clean it using a small nylon brush.
6. Wipe off all the lubricant from the gobo holder using a piece of lint-free cotton cloth.
7. Apply a small coat of synthetic oil (i.e., Liquid Bearings) to the bearings and rotate it thoroughly in both directions (needle tip applicator recommended). Make sure the gobo holder is rotating freely and is not making any abnormal noise.
8. Reinstall the gobos in the gobo holder. Make sure the gobos are in the correct positions.
9. Reinstall the gobo holder in the unit.

Transporting on Truss or Racks



When transporting fixtures in pre-rigged truss and transportation racks, mount fixtures in the vertical position with the lenses facing down and the pan and tilt locks engaged. This is to prevent undue stress on the tilt locks and limit the amount of off-axis bounce on internal components.

6. Technical Specifications

Dimensions and Weight

Length	Width	Height	Weight
14.01 in (356 mm)	9.44 in (240 mm)	20.47 in (520 mm)	32.2 lb (14.2 kg)

Note: Dimensions in inches are rounded.

Power

Power Supply Type	Range	Voltage Selection
Switching (internal)	100 to 240 VAC, 50/60 Hz	Auto-ranging

Parameter	100 V, 60 Hz	120 V, 60 Hz	208 V, 60 Hz	230 V, 50 Hz	240 V, 50 Hz
Consumption	318 W	315 W	306 W	303 W	302 W
Operating current	3.17 A	2.63 A	1.50 A	1.36 A	1.32 A
Power-linking current (products)	12 A (3 products)	12 A (4 products)	12 A (8 products)	12 A (8 products)	12 A (9 products)
Fuse/Breaker	7 A, 250 V	7 A, 250 V	7 A, 250 V	7 A, 250 V	7 A, 250 V

Power I/O	U.S./Worldwide	UK/Europe
Power Input Connector	Seetronic Powerkon IP65	Seetronic Powerkon IP65
Power Output Connector	Seetronic Powerkon IP65	Seetronic Powerkon IP65
Power Cable Plug	Local plug	Local plug

Light Source

Type	Color	Quantity	Power	Current	Lifespan
LED	Cool white	1	200 W	3.2 A	50,000 hours

Photometrics

Beam Angle	Field Angle	Cutoff Angle	Illuminance @ 5 m	Color Temperature
15.3°	18.7°	20.3°	9,021 lux	7423K

Thermal

Maximum External Temperature	Cooling System
113 °F (45 °C)	Fan-assisted convection

DMX

I/O Connector	Channel Range
3-pin & 5-pin XLR	16 or 19

Ordering

Product Name	Item Name	Item Code	UPC Number
Rogue R1E Spot	ROGUER1ESPOT	08012214	781462225629



Contact Us

General Information	Technical Support
Chauvet World Headquarters	
Address: 3360 Davie Rd., Suite 509 Davie, FL 33314 Voice: (954) 577-4455 Fax: (954) 929-5560 Toll Free: (800) 762-1084	Voice: (844) 393-7575 Fax: (954) 756-8015 Email: chauvetcs@chauvetlighting.com Website: www.chauvetprofessional.com
Chauvet U.K.	
Address: Pod 1 EVO Park Little Oak Drive, Sherwood Park Nottinghamshire, NG15 0EB UK Voice: +44 (0) 1773 511115 Fax: +44 (0) 1773 511110	Email: UKtech@chauvetlighting.eu Website: www.chauvetprofessional.eu
Chauvet Benelux	
Address: Stokstraat 18 9770 Kruishoutem Belgium Voice: +32 9 388 93 97	Email: BNLtech@chauvetlighting.eu Website: www.chauvetprofessional.eu
Chauvet France	
Address: 3, Rue Ampère 91380 Chilly-Mazarin France Voice: +33 1 78 85 33 59	Email: FRtech@chauvetlighting.fr Website: www.chauvetprofessional.eu
Chauvet Germany	
Address: Bruno-Bürgel-Str. 11 28759 Bremen Germany Voice: +49 421 62 60 20	Email: DEtech@chauvetlighting.de Website: www.chauvetprofessional.eu
Chauvet Mexico	
Address: Av. de las Partidas 34 - 3B (Entrance by Calle 2) Zona Industrial Lerma Lerma, Edo. de México, CP 52000 Voice: +52 (728) 690-2010	Email: servicio@chauvet.com.mx Website: www.chauvetprofessional.mx

Warranty & Returns

For warranty terms and conditions and return information, please visit our website.

For customers in the United States and Mexico: www.chauvetlighting.com/warranty-registration.

For customers in the United Kingdom, Republic of Ireland, Belgium, the Netherlands, Luxembourg, France, and Germany: www.chauvetlighting.eu/warranty-registration.