

STRIKE BOLT 1C

User Manual



Model ID: STRIKEBOLT1C

CHAUVET
PROFESSIONAL

Edition Notes

The STRIKE Bolt 1C User Manual includes a description, safety precautions, installation, programming, operation, and maintenance instructions for the STRIKE Bolt 1C as of the release date of this edition.

Trademarks

Chauvet, Chauvet Professional, the Chauvet logo, and STRIKE are registered trademarks or trademarks of Chauvet & Sons, LLC (d/b/a Chauvet and Chauvet Lighting) in the United States and other countries. Other company and product names and logos referred to herein may be trademarks of their respective companies.

Copyright Notice

The works of authorship contained in this manual, including, but not limited to, all designs, text, and images are owned by Chauvet.

© Copyright 2024 Chauvet & Sons, LLC. All rights reserved.

Electronically published by Chauvet in the United States of America.

Manual Use

Chauvet authorizes its customers to download and print this manual for professional information purposes only. Chauvet expressly prohibits the usage, copy, storage, distribution, modification, or printing of this manual or its content for any other purpose without written consent from Chauvet.

Document Printing

For best results, print this document in color, on letter size paper (8.5 x 11 in), double-sided. If using A4 paper (210 x 297 mm), configure the printer to scale the content accordingly.

Intended Audience

Any person installing, operating, and/or maintaining this product should completely read through the guide that shipped with the product, as well as this manual, before installing, operating, or maintaining this product.

Disclaimer

Chauvet believes that the information contained in this manual is accurate in all respects. However, Chauvet assumes no responsibility and specifically disclaims any and all liability to any party for any loss, damage or disruption caused by any errors or omissions in this document, whether such errors or omissions result from negligence, accident, or any other cause. Chauvet reserves the right to revise the content of this document without any obligation to notify any person or company of such revision, however, Chauvet has no obligation to make, and does not commit to make, any such revisions.

Document Revision

Go to www.chauvetprofessional.com for the latest version.

Revision	Date	Description
1	03/2024	Initial release.

TABLE OF CONTENTS

- 1. Before You Begin** 1
 - What Is Included 1
 - Claims 1
 - Text Conventions 1
 - Symbols 1
 - Safety Notes..... 2
 - FCC Statement of Compliance 3
 - Expected LED Lifespan..... 3
- 2. Introduction** 4
 - Description 4
 - Features 4
 - Product Overview 4
 - Product Dimensions 5
- 3. Setup** 6
 - AC Power 6
 - AC Plug 6
 - DMX Linking..... 6
 - DMX Personalities..... 6
 - Remote Device Management 6
 - USB Software Update 7
 - Force Upload..... 7
 - Fixture to Fixture 8
 - Mounting 9
 - Orientation..... 9
 - Rigging 9
 - Procedure..... 9
 - Mounting Diagram..... 9
 - Multi-Product Mounting 10
 - Multi-Product Horizontal Mounting 10
 - Mounting Products Attached in Series 12
- 4. Operation** 15
 - Control Panel Description 15
 - Programming..... 15
 - Passcode 15
 - Menu Map 15
 - DMX Configuration..... 19
 - Control Personalities 19
 - Starting Address..... 19
 - DMX Channel Assignments and Values 20
 - Control Chart 20
 - Beam Patterns 20
 - 40Ch / 27Ch / 25Ch 21
 - 20Ch /17Ch / 13Ch / 11Ch 23
 - 10Ch..... 24
 - Standalone Configuration..... 26

Static Mode	26
Plate Intensity.....	26
Plate Flash Duration.....	26
Plate Flash Rate.....	26
Beam Intensity	26
Beam Flash Duration	26
Beam Flash Rate	26
Frost	26
Test	26
Settings Configuration.....	27
Dimmer Speed Mode	27
Dimmer Curve	27
LED Frequency	27
Red Shift	27
Pixel Invert	27
LED Array Swap.....	27
Fan Mode	27
Display Invert	27
Key Lock	27
Display Back Light.....	27
Product Information.....	28
Upgrade Firmware	28
Factory Reset.....	28
Master/Slave	28
5. Maintenance.....	29
Product Maintenance	29
Torque Measurements.....	29
6. Technical Specifications	30
Contact Us	31
Warranty & Returns.....	31

Before You Begin

1. Before You Begin

What Is Included

- STRIKE Bolt 1C
- Stealth filter
- Seetronic Powerkon IP65 power cable
- 2 Omega brackets with mounting hardware
- Quick Reference Guide

Claims

Carefully unpack the product immediately and check the container to make sure all the parts are in the package and are in good condition.




If the box or the contents (the product and included accessories) appear damaged from shipping, or show signs of mishandling, notify the carrier immediately, not Chauvet. Failure to report damage to the carrier immediately may invalidate a claim. In addition, keep the box and contents for inspection.

For other issues, such as missing components or parts, damage not related to shipping, or concealed damage, file a claim with Chauvet within 7 days of delivery.

Text Conventions

Convention	Meaning
1–512	A range of values
50/60	A set of values of which only one can be chosen
Settings	A menu option not to be modified
<ENTER>	A key to be pressed on the product's control panel

Symbols

Symbol	Meaning
	Critical installation, configuration, or operation information. Not following these instructions may make the product not work, cause damage to the product, or cause harm to the operator.
	Important installation or configuration information. The product may not function correctly if this information is not used.
	Useful information.



Any reference to data or power connections in this manual assumes the use of Seetronic IP rated cables.



The term “DMX” used throughout this manual refers to the USITT DMX512-A digital data transmission protocol.

Safety Notes

Read all the following safety notes before working with this product. These notes contain important information about the installation, usage, and maintenance of this product.



All applicable local codes and regulations apply to proper installation of this product.

- The luminaire is intended for professional use only.
- The luminaire should be positioned so that prolonged staring into the luminaire at a distance closer than 7.5 ft (2.3 m) is not expected.
- If the external flexible cable or cord of this luminaire is damaged, it shall be replaced by a special cord or cord exclusively available from the manufacturer or its service agent.
- The light source contained in this luminaire shall only be replaced by the manufacturer or its service agent or a similar qualified person.
- **CAUTION:**
 - This product's housing may be hot when operating. Mount this product in a location with adequate ventilation, at least 20 in (50 cm) from adjacent surfaces.
 - When transferring the product from extreme temperature environments, (e.g., cold truck to warm humid ballroom) condensation may form on the internal electronics of the product. To avoid causing a failure, allow the product to fully acclimate to the surrounding environment before connecting it to power.
 - Flashing light is known to trigger epileptic seizures. User must comply with local laws regarding notification of strobe use.
- **ALWAYS:**
 - Disconnect from power before cleaning the product or replacing the fuse.
 - When using an IP65-rated product in an outdoor environment, use IP65- (or higher) rated power and data cable.
 - Replace and secure IP-rated protective covers to all power, data, USB, or other ports when not in use.
 - Replace the fuse with the same type and rating.
 - Use a safety cable when mounting this product overhead.
 - Connect this product to a grounded and protected circuit.



DO NOT:

- Use the stealth filter at high output for an extended period of time. Extended use above 80% of full power will cause the filter to deform.
- Open this product. It contains no user-serviceable parts.
- Look at the light source when the product is on.
- Leave any flammable material within 20 cm of this product while operating or connected to power.
- Connect this product to a dimmer or rheostat.
- Operate this product if the housing, lenses, or cables appear damaged.
- Submerge this product (adhere to standards for the published IP rating). Regular outdoor operation is fine.
- Permanently install outdoors in locations with extreme environmental conditions. This includes, but is not limited to:
 - Exposure to a marine/saline environment (within 3 miles of a saltwater body of water).
 - Locations where normal temperatures exceed the temperature ranges in this manual.
 - Locations that are prone to flooding or being buried in snow.
 - Other areas where the product will be subject to extreme radiation or caustic substances.
- **ONLY** use the hanging/mounting bracket to carry this product.
- The maximum ambient temperature is 113 °F (45 °C). Do not operate this product at higher temperatures.
- The minimum ambient temperature is -4°F (-20°C). Do not operate the product at lower temperatures.
- To eliminate unnecessary wear and improve its lifespan, during periods of non-use completely disconnect the product from power via breaker or by unplugging it.
- In the event of a serious operating problem, stop using immediately.



If this Chauvet product requires service, contact Chauvet Technical Support.

Before You Begin

FCC Statement of Compliance

This device complies with Part 15 Part B of the FCC rules. Operation is subject to the following two conditions:

1. This device may not cause harmful interference, and
2. This device must accept any interference received, including interference that may cause undesired operation.

This equipment has been tested and found to comply with the limits for a Class B digital device, pursuant to Part 15 of the FCC Rules. These limits are designed to provide reasonable protection against harmful interference in a residential installation. This equipment generates uses and can radiate radio frequency energy and, if not installed and used in accordance with the instructions, may cause harmful interference to radio communications. However, there is no guarantee that interference will not occur in a particular installation. If this equipment does cause harmful interference to radio or television reception, which can be determined by turning the equipment off and on, the user is encouraged to try to correct the interference by one or more of the following measures:

- Reorient or relocate the receiving antenna.
- Increase the separation between the equipment and receiver.
- Connect the equipment into an outlet on a circuit different from that to which the receiver is connected.
- Consult the dealer or an experienced radio/TV technician for help.

Any changes or modifications not expressly approved by the party responsible for compliance could void the user's authority to operate the equipment.

Expected LED Lifespan

Over time, use and heat will gradually reduce LED brightness. Clustered LEDs produce more heat than single LEDs, contributing to shorter lifespans if always used at full intensity. The average LED lifespan is 40,000 to 50,000 hours. To extend LED lifespan, maintain proper ventilation around the product, and limit the overall intensity.

2. Introduction

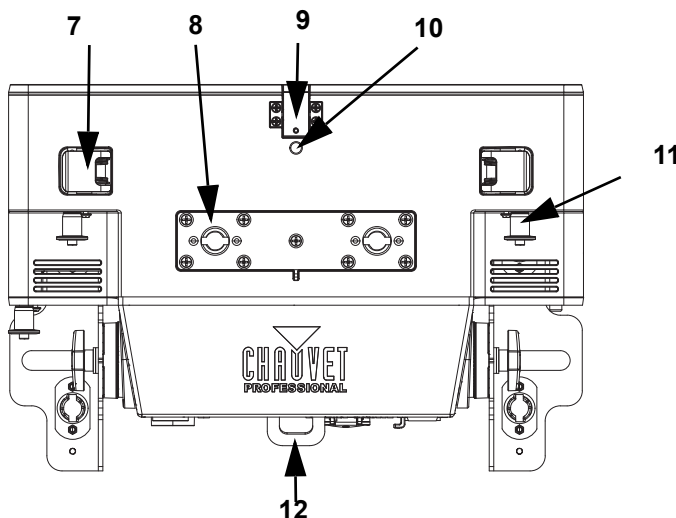
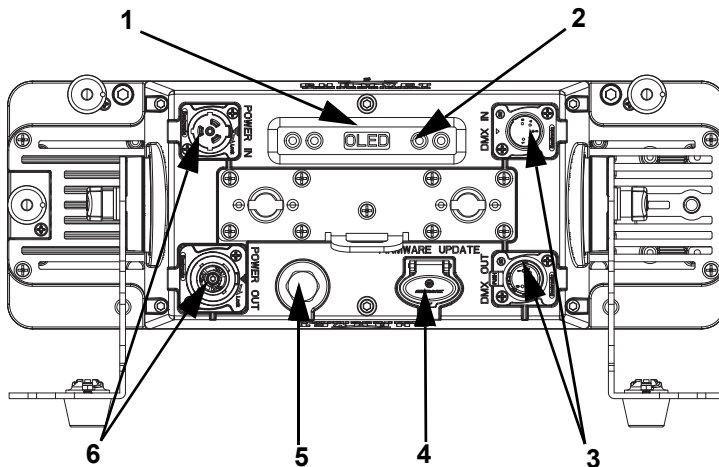
Description

The STRIKE Bolt 1C is an intense IP65-rated strobe featuring integrated Smart Frost that enables this first-of-its-kind fixture to shift instantly from powerful strobe bursts to smooth color block effects. Its proprietary Tool-Free Stacking streamlines interconnecting STRIKE Bolt 1C with STRIKE Array fixtures in stackable configurations to create unique blinder/strobe arrays. Multiple hanging points, end-to-end connections, and floor feet provide maximum rigging versatility. Its included stealth filter can be attached to make the fixture nearly disappear for on-camera use. STRIKE Bolt 1C delivers a classic strobe look with modern performance ideal for concert and touring, festivals and event productions in any environment, live or broadcast, indoors or out.

Features

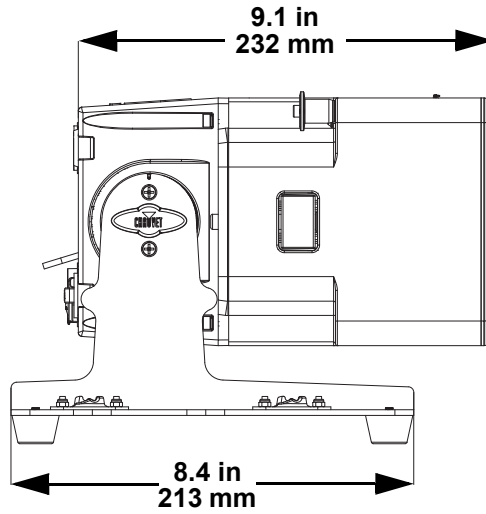
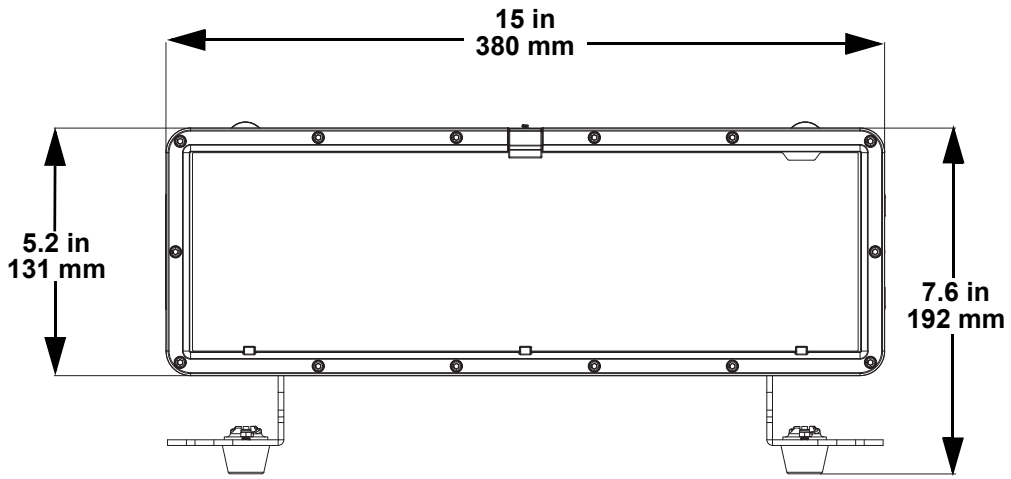
- Intense, stackable strobe with added color effects rated IP65 for all-weather use
- Twin strobe tubes for intense strobe effects
- Single row of RGBA LEDs for color block effects behind an integrated smart glass (electronic frost) filter
- Designed for rigging versatility with multiple hanging points, end-to-end connections, floor feet, and the ability to be rigged inline with STRIKE Array fixtures to create unique blinder/strobe arrays

Product Overview



#	Name
1	Display
2	Menu buttons
3	DMX in/out
4	USB-C port
5	Condensation valve
6	Power in/out
7	Hanging hardware (x3)
8	Omega bracket mounting hole
9	Filter lock
10	Mounting hole
11	Retaining pins (x3)
12	Safety cable loop

Product Dimensions



3. Setup

AC Power

The STRIKE Bolt 1C has an auto-ranging power supply and it can work with an input voltage range of 100 to 240 VAC, 50/60 Hz.

To determine the product's power requirements (circuit breaker, power outlet, and wiring), use the current value listed on the label affixed to the product's back panel, or refer to the product's specifications chart. The listed current rating indicates the product's average current draw under normal conditions.



- **Always connect the product to a protected circuit (a circuit breaker or fuse). Ensure the product has an appropriate electrical ground to avoid the risk of electrocution or fire.**
- **To eliminate unnecessary wear and improve its lifespan, during periods of non-use completely disconnect the product from power via breaker or by unplugging it.**



Never connect the product to a rheostat (variable resistor) or dimmer circuit, even if the rheostat or dimmer channel serves only as a 0 to 100% switch.

AC Plug

The STRIKE Bolt 1C comes with a power input cable terminated with a Seetronic Powerkon A connector on one end and an Edison plug on the other end (U.S. market). If the power cable which came with the product has no plug, or if it is necessary to change the plug, use the table below to wire a plug.

Connection	Wire (U.S.)	Wire (Europe)	Screw Color
AC Live	Black	Brown	Yellow or Brass
AC Neutral	White	Blue	Silver
AC Ground	Green/Yellow	Green/Yellow	Green

DMX Linking

It is possible to link the STRIKE Bolt 1C to a DMX controller using a 5-pin DMX connection. For more information about DMX, read the DMX primer at:

https://www.chauvetprofessional.com/wp-content/uploads/2016/06/DMX_Primer.pdf.

DMX Personalities

The STRIKE Bolt 1C uses a 5-pin DMX data connection for its the, ranging from **10Ch**, **11Ch**, **13Ch**, **17Ch**, **20Ch**, **25Ch**, **27Ch**, and **40Ch** DMX personalities.

- Refer to the [Operation](#) chapter to learn how to configure the STRIKE Bolt 1C to work in these personalities.
- The [DMX Configuration](#) section provides detailed information regarding the control personalities.



For more information about DMX standards, Master/Slave connectivity, or the DMX cables needed to link this product to a DMX controller, download the DMX Primer from the Chauvet website: www.chauvetprofessional.com.

Remote Device Management

Remote Device Management (RDM) is a standard for allowing DMX-enabled devices to communicate bi-directionally along existing DMX cabling. Check the DMX controller's User Manual or with the manufacturer as not all DMX controllers have this capability. The STRIKE Bolt 1C supports RDM protocol that allows feedback to make changes to menu map options.

USB Software Update

The STRIKE Bolt 1C allows for software update through USB using the built-in USB port. To update the software using a USB flash drive, do the following:

1. Power on the product and plug the flash drive into the USB port.
2. Once the flash drive has been detected, the message “**Upgrade Firmware**” will be displayed. Press <ENTER>. If a different message appears on the display, search for the updated software in the menu (**Update Firmware**) and select from **Only This Fixture**, **Multiple Fixture**, **Other Fixture Type**, or **Fixture to Fixture**. A list of the updated software files will be displayed.
3. Select the file that needs to be uploaded. The message “**Are you sure?**” will be displayed. Press <Enter>.



If the selected file is incorrect, the upgrade will fail, and the display will go back to the main interface. Repeat steps 1–3 using the correct file.

4. If the selected file is correct, the update will start. DO NOT turn off power or disconnect the USB during the process. The USB update can take several minutes to complete.
5. When the update is complete, the product will automatically reboot.
6. Go to the **Information** level of the product main menu and confirm the firmware revision.
7. When the boot-up process is finished, restart the product manually.



- Place the .chl file in the root directory of the USB drive.
- The product's USB port supports up to 32GB capacity and only works with FAT32 file format.



Turning off the power, removing the USB, or not setting the fixture to the correct protocol during the update can cause partial or total firmware failure in the targeted fixture(s). Please refer to [Force Upload](#) section to fix firmware failure issues.

Force Upload

A Force Upload is done whenever a software update fails due to accidental removal of the USB flash drive, incorrect control protocol, or loss of power during a regular software update process.



- A Force Upload process requires a target fixture (the fixture that needs a Force Upload) and a main fixture (the fixture that controls the upload process).
- The Force Upload process can only be done one target fixture at a time.

To do a Force Upload, follow the instructions below:

1. Link the target fixture to the main fixture via a DMX 5-pin connection. Ensure that the target fixture is turned off.
2. Turn on the main fixture and set its protocol to **DMX512**.
3. Plug the flash drive into the USB-C port of the main fixture.
4. Go to Upgrade Firmware on the menu map.
5. Choose between **Multiple Fixture** and **Other Fixture Type**. Press <ENTER>.
 - **Multiple Fixture:** Both the target fixture and main fixture are from the same product line (e.g., 2 STRIKE Bolt 1C fixtures).
 - **Other Fixture Type:** The target fixture and main fixture are from different product series (e.g., a STRIKE Bolt 1C as the target fixture and a Maverick Silens 2 Profile as the main fixture).
6. Select the file that needs to be uploaded. The message “**Are you sure?**” will appear on the screen. Press <ENTER>. Turn on the target fixture within 1–2 seconds of pressing <ENTER>. The display on the target fixture should remain off.
 - a. The main fixture will show the update progress (0–100%).
 - b. The target fixture's display will turn on, and a notification “<UPDATE>” will appear on the screen.



The timing of when the target fixture's display will turn on varies from fixture to fixture.

7. **DO NOT** turn off power or remove the USB flash drive. Once the software is done uploading, the target fixture will automatically reboot.
8. Go to the target fixture's main menu and confirm that the firmware version has been updated.
9. Reboot the target fixture.

Fixture to Fixture

The Fixture to Fixture software update option allows users to update the STRIKE Bolt 1C with another STRIKE Bolt 1C via DMX connection. To update the STRIKE Bolt 1C software using the Fixture to Fixture option:

1. Power on two or more fixtures and link the target fixture to the main fixture via a DMX 5-pin connection.
2. On the main fixture, navigate the menu to the **Upgrade Firmware** main level. Press **<ENTER>**. Select the **Fixture to Fixture** option.
3. A warning message, **"Disconnect all DMX and Network signals from other Controllers!"** will be displayed. Once all other network and DMX signals are disconnected, press **<ENTER>** to begin.
4. The display on the main fixture will show "A ___%" followed by "B ___%" while establishing connection. The target fixture display will read **Update**.



DO NOT turn off the power or disconnect the DMX connection during the update process.

5. Upon connection, the main fixture display will read **"Finish!"**
6. The target fixture will show the progress of the DMX update, with the display showing "B ___%"
7. The target fixture display will then show "___%" to indicate CRC Checking. Once complete, the display will show "CRC OK!"



Once the update is complete, the target fixture will reboot. DO NOT turn off the power until the target fixture has rebooted.

Setup

Mounting

Before mounting the product, read and follow the safety recommendations indicated in the [Safety Notes](#).

Orientation

Always mount this product in a safe position, making sure there is adequate room for ventilation, configuration, and maintenance.

Rigging

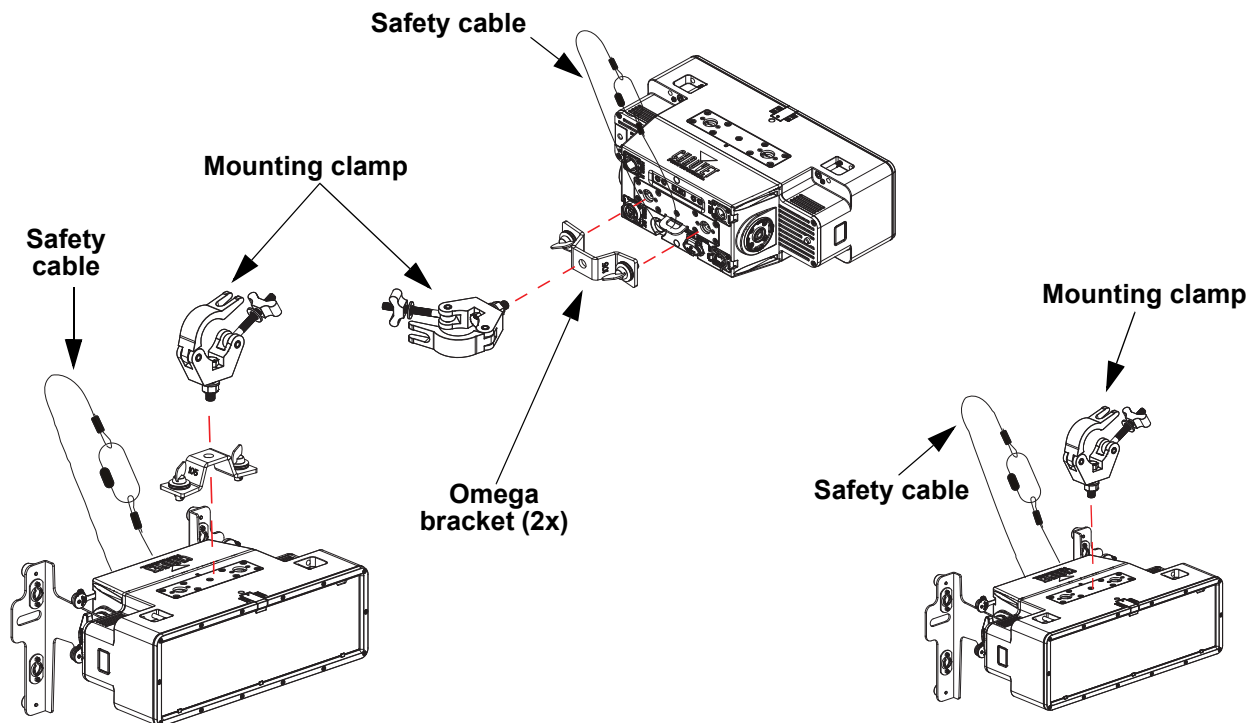
Chauvet recommends using the following general guidelines when mounting this product.

- Before deciding on a location for the product, make sure there is easy access to the product for maintenance and programming purposes.
- Make sure that the structure and attachment points can support the weight before hanging the product (See the [Technical Specifications](#)).
- When mounting the product overhead, always use a safety cable. Mount the product securely to a rigging point, whether an elevated platform or a truss.
- When rigging the product onto a truss, use a mounting clamp of appropriate weight capacity.

Procedure

The STRIKE Bolt 1C comes with an Omega bracket. The user can directly attach a mounting clamp to this Omega bracket. Make sure the clamp is capable of supporting the weight of this product. For the Chauvet Professional line of mounting clamps, go to <http://www.trusst.com/products>.

Mounting Diagram

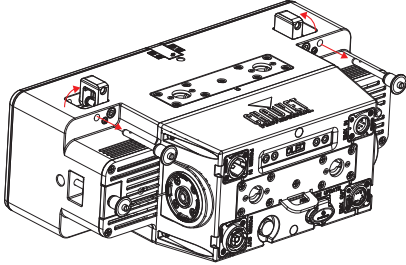


Multi-Product Mounting

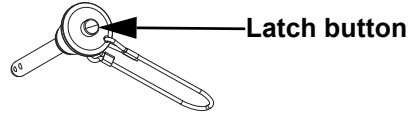
The STRIKE Bolt 1C has an interlocking system to connect multiple STRIKE Bolt 1C products vertically, or horizontally.

Multi-Product Horizontal Mounting

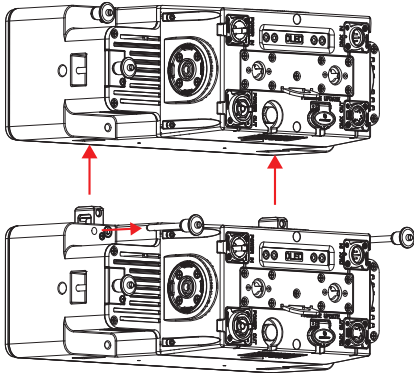
Remove the retaining pins to release the integrated hanging hardware



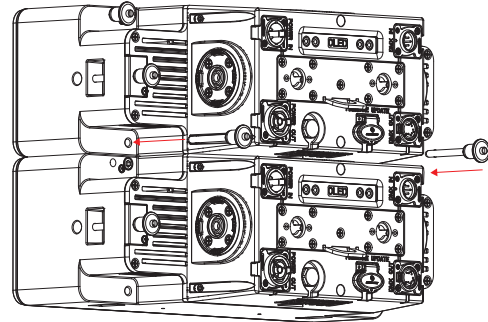
Press and hold the latch button to remove or insert the retaining pins



Insert the integrated hanging hardware into the opening of the next fixture



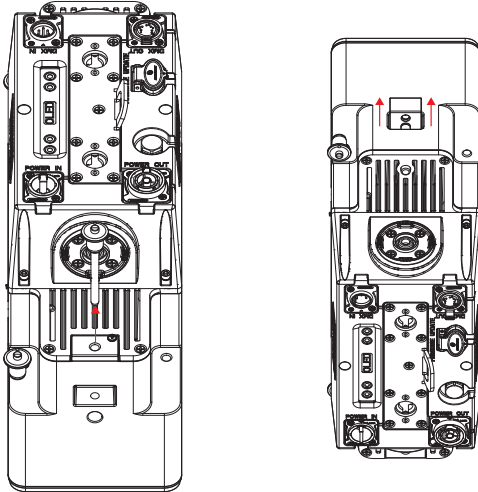
Insert the retaining pins to lock the fixtures together



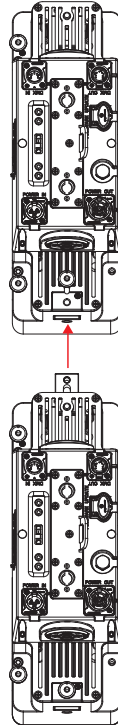
When mounting horizontally using the pin and block hangers, never hang more than 15 units from a single mounting point.

Multi-Product Vertical Mounting

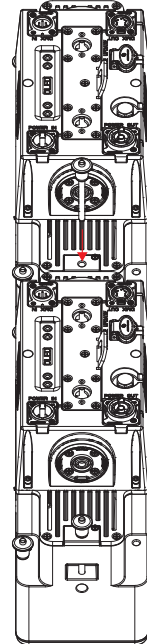
Remove the retaining pins/
release the integrated
hanging hardware



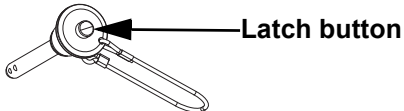
Insert the integrated
hanging hardware into
the opening of the next
fixture



Insert the retaining
pins to lock the
fixtures together

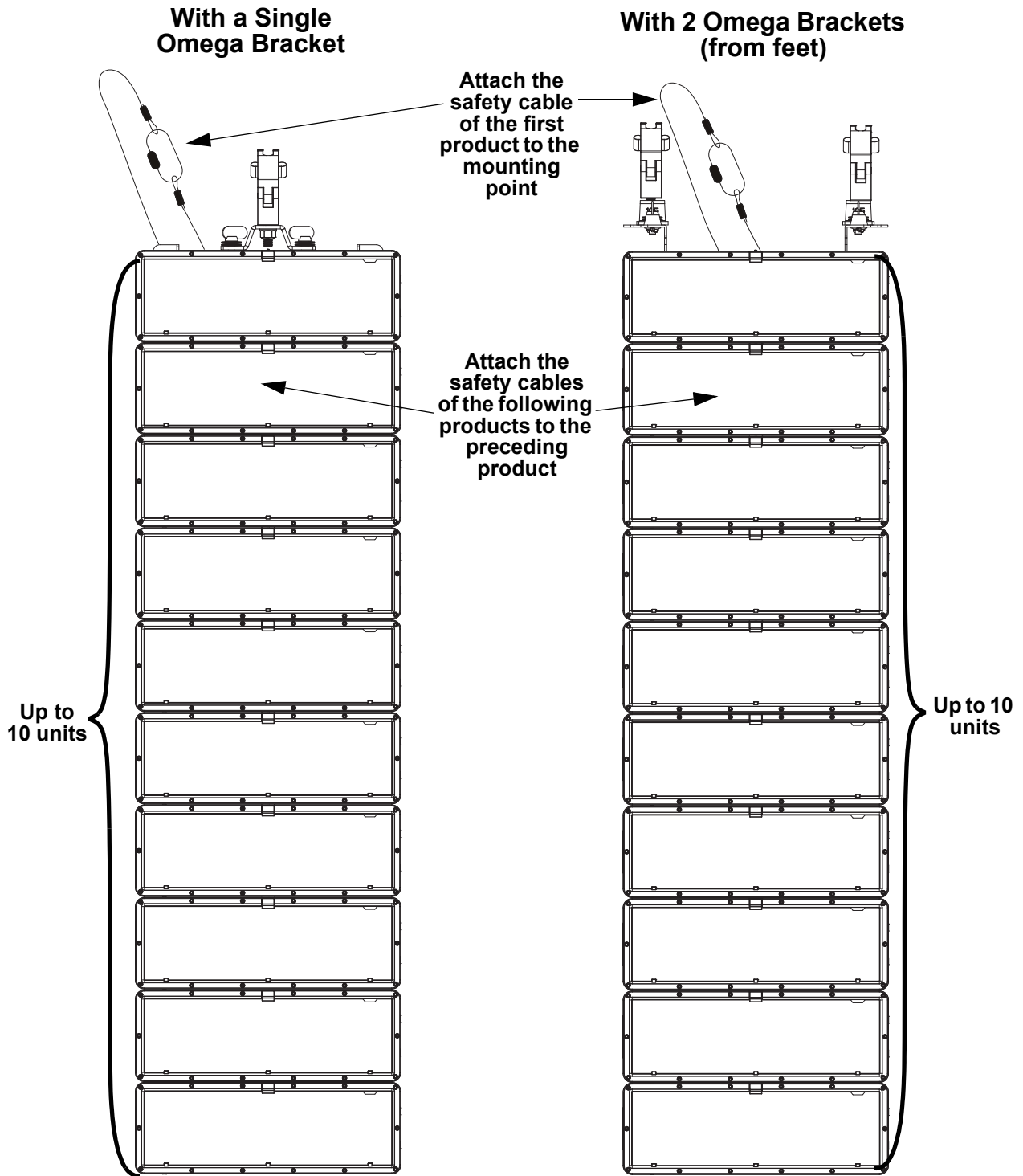


Press and hold the latch
button to remove or
insert the retaining pins



When mounting vertically using the pin and block hangers, never hang more than 15 units from a single mounting point.

Mounting Products Attached in Series



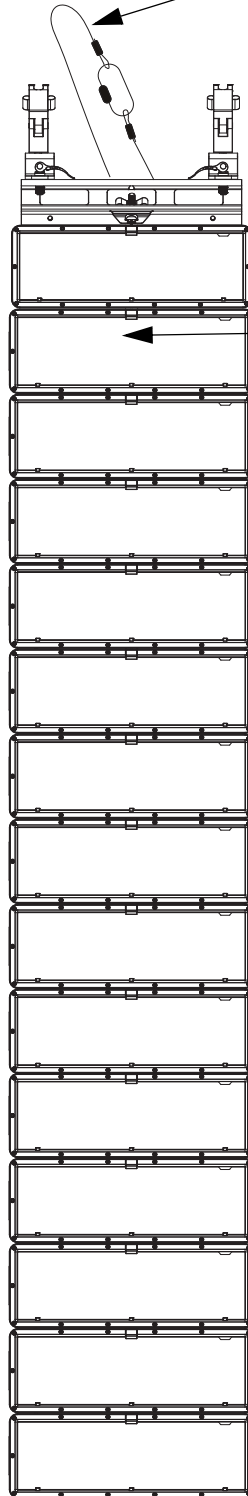
- When using a single omega bracket, never hang more than 10 units vertically from a single mounting point.
- When using 2 omega brackets with the product's feet, never hang more than 10 units vertically from a single mounting point.

**With a STRIKE Array
Flush Bracket**

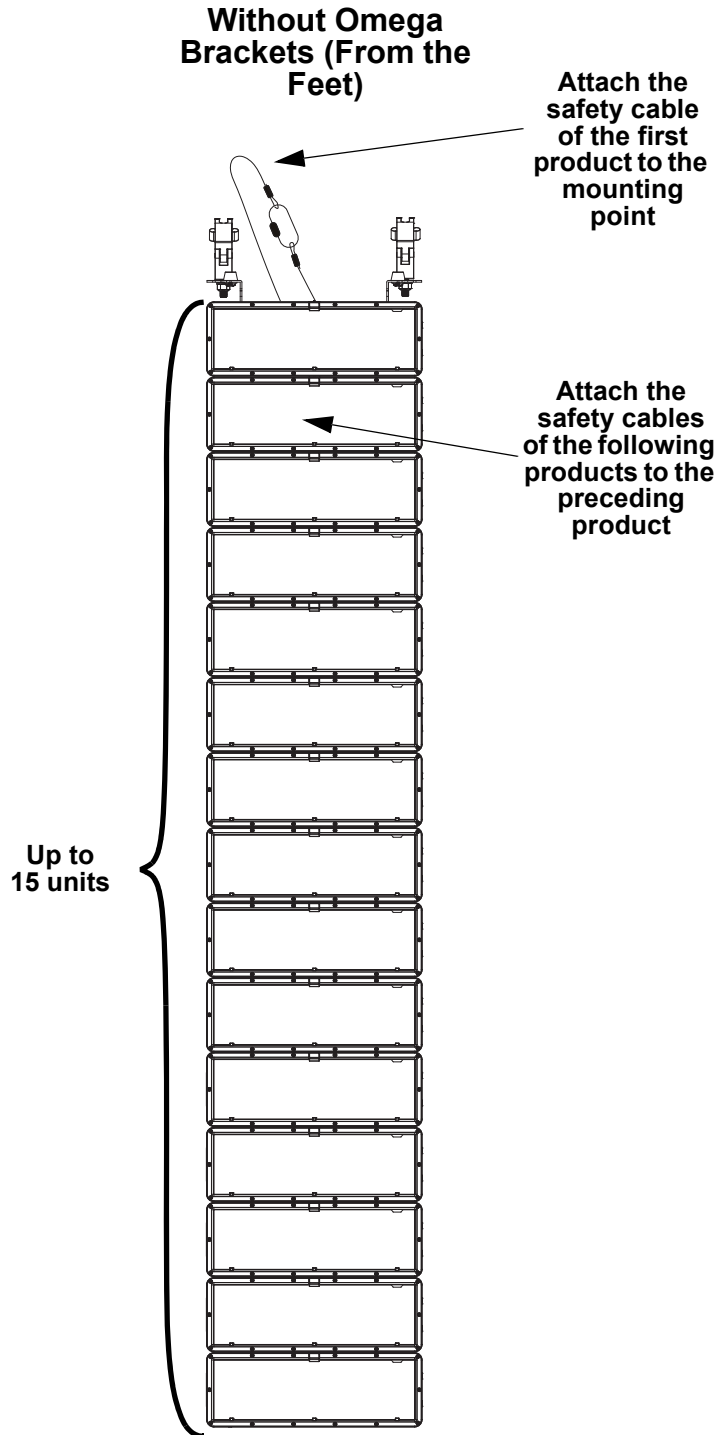
Attach the
safety cable
of the first
product to the
mounting
point

Attach the
safety cables
of the following
products to the
preceding
product

Up to
15 units



When mounting using the feet and a STRIKE Array Flush Bracket, never hang more than 15 units vertically from a single mounting point.



When mounting using the feet and without an omega bracket, never hang more than 15 units vertically from a single mounting point.

4. Operation

Control Panel Description

Button/Knob	Function
<MENU>	Exits from the current menu or function
<ENTER>	Enables the currently displayed menu or sets the currently selected value into the selected function
<UP>	Navigates upwards through the menu list or increases the numeric value when in a function
<DOWN>	Navigates downwards through the menu list or decreases the numeric value when in a function

Programming

Refer to the Menu Map to understand the menu options. The menu map shows the main level and a variable number of programming levels for each option.

- To go to the desired main level, press <MENU> repeatedly until the option shows on the display. Press <ENTER> to select. This will enter the first programming level for that option.
- To select an option or value within the current programming level, press <UP> or <DOWN> until the option shows on the display. Press <ENTER> to select. In this case, if there is another programming level, that first option or the selected value will show on the display.
- Press <MENU> repeatedly to exit to the previous main level.

Passcode

After being prompted to enter the passcode, press <UP>, <DOWN>, <UP>, <DOWN>, <ENTER>.

Menu Map

Refer to the STRIKE Bolt 1C product page on www.chauvetprofessional.com for the latest menu map and software.

Main Menu	Programming Levels	Description
DMX Address	001–512*	Selects DMX address (*Highest channel restricted to personality chosen)
DMX Channel	10Ch	Selects DMX channel
	11Ch	
	13Ch	
	17Ch	
	20Ch	
	25Ch	
	27Ch	
40Ch		

Main Menu	Programming Levels		Description
Static	Fixed Color	R	Red
		G	Green
		B	Blue
		A	Amber
		RG	Red + green
		RB	Red + blue
		RA	Red + amber
		GB	Green + blue
		GA	Green + amber
		BA	Blue + amber
		RGB	Red + green + blue
		RGA	Red + green + amber
		RBA	Red + blue + amber
		GBA	Green + blue + amber
	RGBA	Red + green + blue + amber	
	Manual Color Mixer	Red	<000–255>
Green			
Blue			
Amber			
Plate Intensity	<000–255>		Adjusts the plate light intensity
Plate Flash Duration	<000–255>		Adjusts the duration of the plate flash
Plate Flash Rate	<000–255>		Adjusts the plate flash rate
Beam Intensity	<000–255>		Adjusts the beam light intensity
Beam Flash Duration	<000–255>		Adjusts the duration of the beam flash
Beam Flash Rate	<000–255>		Adjusts the beam flash rate
Frost	<000–255>		Increase or decrease the frost
Master/ Slave	Master		Standalone mode
	Slave		Slave mode

Main Menu	Programming Levels		Description
Test	Auto Test		Automatically tests all functions
	Manual Test*	1. Frost	<000-255>
		2. Master Dimmer	
		3. Beam Dimmer	
		4. Plates Dimmer	
		5. Beam Duration	
		6. Beam Rate	
		7. Plate Duration	
		8. Plate Rate	
		9. Plate 1 Red	
		10. Plate 1 Green	
		11. Plate 1 Blue	
		12. Plate 1 Amber	
		13. Plate 2 Red	
		14. Plate 2 Green	
		15. Plate 2 Blue	
		16. Plate 2 Amber	
		17. Beam 1	
		18. Beam 2	
		19. Beam 3	
		20. Beam 4	
		21. Beam 5	
		22. Beam 6	
		23. Beam 7	
		24. Beam 8	
		25. Beam 9	
		26. Beam 10	
		27. Beam 11	
		28. Beam 12	
		29. Beam 13	
		30. Beam 14	
		31. Beam 15	
		32. Beam 16	
		33. Beam Fx	
		34. Top B Select	
		35. T B S & Dir	
		36. T B Crossfade	
		37. Bot B Select	
		38. B B S & Dir	
		39. B B Crossfade	
		40. Control	
			Manually control and test all settings through the control panel. (Available functions vary by selected DMX personality.)
Dimmer Mode	Off		Instantaneous dimmer
	Dimmer 1-3		Dimmer mode, fast (1) to slow (3)
Dimmer Curve	S-Curve		Sets the dimmer curve
	Linear		
	Square		
	Inverse Square		

Main Menu	Programming Levels		Description
LED Frequency	1000Hz		Sets the Pulse Width Modulation frequency
	2000Hz		
	4000Hz		
	6000Hz		
	25KHz		
	64KHz		
Red Shift	No		Enables or disables red shift
	Yes		
Pixel Invert	Beam 1 Invert	No	Inverts the beam and plate pixels individually. Reverts to default setting with a factory reset.
		Yes	
	Beam 2 Invert	No	
		Yes	
	Plate Invert	No	
		Yes	
LED Array Swap	Beam Swap	No	Swaps the beam pixel mapping. Keeps the setting even after a factory reset.
		Yes	
Fan Mode	Auto		Sets the fan to auto mode
	On		Sets the fan to always on
Display Invert	No		Inverts the default display mode
	Yes		
Key Lock	On		Locks display (password: <UP>, <DOWN>, <UP>, <DOWN>, <ENTER>)
	Off		
Back Light	10S		Turns off display backlight after 10 seconds of inactivity
	30S		Turns off display backlight after 30 seconds
	2Min		Turns off display backlight after 2 minutes of
	Always On		Display backlight always on
Information	Fixture Hours	<_ _ _ _H>	Shows total hours the product has been powered on
	LED Hours	<_H>	Shows total hours the LEDs have been powered on
	Disp Ver	<V1.240201>	Shows current display firmware version
	CTR1-DRY Ver:	<V1.0>	Shows current driver firmware version
	Temperature:	_ _C°	Shows device temperature
	UID	21A40 _ _ _ _ _	Shows product UID
Upgrade Firmware	Only This Fixture	_ _ _ _ _ .CHL	Selects an update file for this product, or shows "No such file!"
		...	
	Multiple Fixture	_ _ _ _ _ .CHL	Selects an update file for this and connected STRIKE Bolt 1C products, or shows "No such file!"
		...	
	Other Fixture Type	_ _ _ _ _ .CHL	Selects an update file for other connected products, or shows "No such file!"
		...	
	Fixture to Fixtue	_ _ _ _ _ .CHL	Selects an update file for other connected products, or shows "No such file!"
		...	

Operation

Main Menu	Programming Levels	Description
Factory Reset	No	Resets the product to factory default settings
	Yes	



The “Other Fixture Type” option under Upgrade Firmware can only be selected for connected products compatible with the Upload 03 (the first 2 digits of the item code must be 03).

DMX Configuration

Use control configurations to operate the product with a DMX controller.

Control Personalities

To set the control personality:

1. Go to the **DMX Channel** main level.
2. Select the personality, from **10Ch**, **11Ch**, **13Ch**, **17Ch**, **20Ch**, **25Ch**, **27Ch**, or **40Ch**.



- See the [Starting Address](#) section for the highest selectable starting address for each personality.
- Make sure that the starting addresses on the various products do not overlap.

Starting Address

Each product will respond to a unique starting address from the controller. All products with the same starting address will respond in unison. To set the starting address:

1. Go to the **Start Address** main level.
2. Select the starting address (**1–512**).
 - The highest recommended starting address for **10Ch** is **503**.
 - The highest recommended starting address for **11 Ch** is **502**.
 - The highest recommended starting address for **13 Ch** is **500**.
 - The highest recommended starting address for **17Ch** is **496**.
 - The highest recommended starting address for **20 Ch** is **493**.
 - The highest recommended starting address for **25Ch** is **488**.
 - The highest recommended starting address for **27 Ch** is **486**.
 - The highest recommended starting address for **40 Ch** is **473**.

DMX Channel Assignments and Values

Control Chart

Value	Percent/Setting	Value	Percent/Setting
000 ⇔ 005	No function	076 ⇔ 080	Inverse square dimmer
006 ⇔ 010	Dimmer mode off	081 ⇔ 085	“S” dimmer
011 ⇔ 015	Dimmer mode 1 (fast)	086 ⇔ 090	No function
016 ⇔ 020	Dimmer mode 2	091 ⇔ 095	Beam 1 Invert off
021 ⇔ 025	Dimmer mode 3 (slow)	096 ⇔ 100	Beam 1 Invert on
026 ⇔ 030	1000 Hz	101 ⇔ 105	Beam 2 Invert off
031 ⇔ 035	2000 Hz	106 ⇔ 110	Beam 2 Invert on
036 ⇔ 040	4000 Hz	111 ⇔ 115	Plate invert off
041 ⇔ 045	6000 Hz	116 ⇔ 120	Plate invert on
046 ⇔ 050	25Khz	121 ⇔ 125	Beam swap off
051 ⇔ 055	64Khz	126 ⇔ 130	Beam swap on
056 ⇔ 060	Fan mode auto	131 ⇔ 135	Reserved for future use
061 ⇔ 065	Fan mode on	136 ⇔ 140	Reserved for future use
066 ⇔ 070	Linear dimmer	141 ⇔ 255	No function
071 ⇔ 075	Square dimmer		

Beam Patterns



Operation

40Ch / 27Ch / 25Ch

25CH	27CH	40CH	Function	Value	Percent/Setting
1	1	1	Frost	000 ⇔ 255	0–100%
–	2	–	Dimmer	000 ⇔ 255	0–100%
–	3	–	Strobe	000 ⇔ 009	Open
–	3	–		010 ⇔ 079	Strobe, slow to fast
–	3	–		080 ⇔ 149	Pulse, slow to fast
–	3	–		150 ⇔ 219	Random strobe, slow to fast
–	3	–		220 ⇔ 255	Open
2	–	2	Master dimmer	000 ⇔ 255	0–100%
3	–	3	Beam dimmer	000 ⇔ 255	0–100%
4	–	4	Plates dimmer	000 ⇔ 255	0–100%
5	–	5	Beam flash duration	000 ⇔ 009	Classic shutter mode: disables duration control
5	–	5		010 ⇔ 250	Beam strobe duration, slow to long
5	–	5		251 ⇔ 255	100% on, no flash/strobe
6	–	6	Beam flash rate	000 ⇔ 009	100% on, no flash/strobe
6	–	6		010 ⇔ 250	Beam strobe rate, slow to fast
6	–	6		251 ⇔ 255	100% on, no flash/strobe
7	–	7	Plate flash duration	000 ⇔ 009	Classic shutter mode: disables duration control
7	–	7		010 ⇔ 250	Plate strobe duration, slow to long
7	–	7		251 ⇔ 255	100% on, no flash/strobe
8	–	8	Plate flash rate	000 ⇔ 009	100% on, no flash/strobe
8	–	8		010 ⇔ 250	Plate strobe rate, slow to fast
8	–	8		251 ⇔ 255	100% on, no flash/strobe
9	4	9	Plate pixel 1 red	000 ⇔ 255	0–100%
10	5	10	Plate pixel 1 green	000 ⇔ 255	0–100%
11	6	11	Plate pixel 1 blue	000 ⇔ 255	0–100%
12	7	12	Plate pixel 1 amber	000 ⇔ 255	0–100%
13	8	13	Plate pixel 2 red	000 ⇔ 255	0–100%
14	9	14	Plate pixel 2 green	000 ⇔ 255	0–100%
15	10	15	Plate pixel 2 blue	000 ⇔ 255	0–100%
16	11	16	Plate pixel 2 amber	000 ⇔ 255	0–100%
–	12	17	Beam pixel 1	000 ⇔ 255	0–100%
–	13	18	Beam pixel 2	000 ⇔ 255	0–100%
–	14	19	Beam pixel 3	000 ⇔ 255	0–100%
–	15	20	Beam pixel 4	000 ⇔ 255	0–100%
–	16	21	Beam pixel 5	000 ⇔ 255	0–100%
–	17	22	Beam pixel 6	000 ⇔ 255	0–100%
–	18	23	Beam pixel 7	000 ⇔ 255	0–100%
–	19	24	Beam pixel 8	000 ⇔ 255	0–100%
–	20	25	Beam pixel 9	000 ⇔ 255	0–100%
–	21	26	Beam pixel 10	000 ⇔ 255	0–100%
–	22	27	Beam pixel 11	000 ⇔ 255	0–100%
–	23	28	Beam pixel 12	000 ⇔ 255	0–100%
–	24	29	Beam pixel 13	000 ⇔ 255	0–100%
–	25	30	Beam pixel 14	000 ⇔ 255	0–100%
–	26	31	Beam pixel 15	000 ⇔ 255	0–100%
–	27	32	Beam pixel 16	000 ⇔ 255	0–100%

25CH	27CH	40CH	Function	Value	Percent/Setting
17	-	-	Beam pixel 1 + 9	000 ⇔ 255	0–100%
18	-	-	Beam pixel 2 + 10	000 ⇔ 255	0–100%
19	-	-	Beam pixel 3 + 11	000 ⇔ 255	0–100%
20	-	-	Beam pixel 4 + 12	000 ⇔ 255	0–100%
21	-	-	Beam pixel 5 + 13	000 ⇔ 255	0–100%
22	-	-	Beam pixel 6 + 14	000 ⇔ 255	0–100%
23	-	-	Beam pixel 7 + 15	000 ⇔ 255	0–100%
24	-	-	Beam pixel 8 + 16	000 ⇔ 255	0–100%
-	-	33	Beam FX	000 ⇔ 005	No effect
				006 ⇔ 042	Ramp up
				043 ⇔ 085	Ramp down
				086 ⇔ 128	Ramp up-down
				129 ⇔ 171	Random
				172 ⇔ 214	Lighting
				215 ⇔ 255	Spikes
-	-	34	Top beams FX select (cells 1–14)	000 ⇔ 002	Beam FX all select (all on)
				003 ⇔ 255	See Beam Patterns
-	-	35	Top beams FX movement speed & direction (cells 1–14)	000 ⇔ 005	Beam FX (no function)
				006 ⇔ 124	Beam FX left to right, fast to slow
				125 ⇔ 130	Beam FX stop (no function)
				131 ⇔ 249	Beam FX Movement: right to left, slow to fast
				250 ⇔ 255	Beam FX stop (no function)
-	-	36	Top beams FX crossfade (cells 1–14)	000 ⇔ 002	snap, cell to cell
				003 ⇔ 255	Fade duration, short to long
-	-	37	Bottom Beam FX select (cells 15–28)	000 ⇔ 002	Beam FX all select (all on)
				003 ⇔ 255	See Beam Patterns
-	-	38	Bottom beams FX movement speed & direction (cells 15–28)	000 ⇔ 005	Beam FX (no function)
				006 ⇔ 124	Beam FX left to right, fast to slow
				125 ⇔ 130	Beam FX stop (no function)
				131 ⇔ 249	Beam FX Movement: right to left, slow to fast
				250 ⇔ 255	Beam FX stop (no function)
-	-	39	Bottom beams FX crossfade (cells 15–28)	000 ⇔ 002	snap, cell to cell
				003 ⇔ 255	Fade duration, short to long
25	-	40	Control (Hold 3seconds)	000 ⇔ 255	See the Control Chart

Operation

20Ch / 17Ch / 13Ch / 11Ch

11CH	13CH	17CH	20CH	Function	Value	Percent/Setting
1	1	1	1	Frost	000 ⇔ 255	0–100%
2	–	–	–	Dimmer	000 ⇔ 255	0–100%
–	–	2	2	Master dimmer	000 ⇔ 255	0–100%
–	2	3	3	Beam dimmer	000 ⇔ 255	0–100%
–	3	4	4	Plates dimmer	000 ⇔ 255	0–100%
3	4	5	5	Beam flash duration	000 ⇔ 009	Classic shutter mode: disables duration control
					010 ⇔ 250	Beam strobe duration, slow to long
					251 ⇔ 255	100% on, no flash/strobe
4	5	6	6	Beam flash rate	000 ⇔ 009	100% on, no flash/strobe
					010 ⇔ 250	Beam strobe rate, slow to fast
					251 ⇔ 255	100% on, no flash/strobe
5	6	7	7	Plate flash duration	000 ⇔ 009	Classic shutter mode: disables duration control
					010 ⇔ 250	Plate strobe duration, slow to long
					251 ⇔ 255	100% on, no flash/strobe
6	7	8	8	Plate flash rate	000 ⇔ 009	100% on, no flash/strobe
					010 ⇔ 250	Plate strobe rate, slow to fast
					251 ⇔ 255	100% on, no flash/strobe
7	–	–	–	Beam white	000 ⇔ 255	0–100%
8	8	9	9	Plates red	000 ⇔ 255	0–100%
9	9	10	10	Plates green	000 ⇔ 255	0–100%
10	10	11	11	Plates blue	000 ⇔ 255	0–100%
11	11	12	12	Plates amber	000 ⇔ 255	0–100%
–	12	13	13	Beam FX	000 ⇔ 005	No effect
					006 ⇔ 042	Ramp up
					043 ⇔ 085	Ramp down
					086 ⇔ 128	Ramp up-down
					129 ⇔ 171	Random
					172 ⇔ 214	Lighting
–	–	–	14	Top beams FX select (cells 1–14)	000 ⇔ 002	Beam FX all select (all on)
					003 ⇔ 255	See Beam Patterns
–	–	–	15	Top beams FX movement speed & direction (cells 1–14)	000 ⇔ 005	Beam FX (no function)
					006 ⇔ 124	Beam FX left to right, fast to slow
					125 ⇔ 130	Beam FX stop (no function)
					131 ⇔ 249	Beam FX Movement: right to left, slow to fast
–	–	14	–	Both beams FX select	000 ⇔ 002	Beam FX all select (all on)
					003 ⇔ 255	See Beam Patterns
–	–	15	–	Both beams FX movement speed & direction	000 ⇔ 005	Beam FX (no function)
					006 ⇔ 124	Beam FX left to right, fast to slow
					125 ⇔ 130	Beam FX stop (no function)
					131 ⇔ 249	Beam FX Movement: right to left, slow to fast
–	–	–	–	–	250 ⇔ 255	Beam FX stop (no function)

11CH	13CH	17CH	20CH	Function	Value	Percent/Setting
-	-	16	-	Both beams FX crossfade	000 ⇔ 002	snap, cell to cell
					003 ⇔ 255	Fade duration, short to long
-	-	-	16	Top beams FX crossfade (cells 1-14)	000 ⇔ 002	snap, cell to cell
					003 ⇔ 255	Fade duration, short to long
-	-	-	17	Bottom Beam FX select (cells 15-28)	000 ⇔ 002	Beam FX all select (all on)
					003 ⇔ 255	See Beam Patterns
-	-	-	18	Bottom beams FX movement speed & direction (cells 15-28)	000 ⇔ 005	Beam FX (no function)
					006 ⇔ 124	Beam FX left to right, fast to slow
					125 ⇔ 130	Beam FX stop (no function)
					131 ⇔ 249	Beam FX Movement: right to left, slow to fast
-	-	-	19	Bottom beams FX crossfade (cells 15-28)	000 ⇔ 002	snap, cell to cell
					003 ⇔ 255	Fade duration, short to long
-	13	17	20	Control (Hold 3seconds)	000 ⇔ 255	See the Control Chart

10Ch

Channel	Function	Value	Percent/Setting
1	Frost	000 ⇔ 255	0-100%
2	Dimmer	000 ⇔ 255	0-100%
3	Strobe	000 ⇔ 009	Open
		010 ⇔ 079	Strobe slow to fast
		080 ⇔ 149	Pulse slow to fast
		150 ⇔ 219	Random strobe slow to fast
		220 ⇔ 255	Open
4	White	000 ⇔ 255	0-100%
5	Red	000 ⇔ 255	0-100%
6	Green	000 ⇔ 255	0-100%
7	Blue	000 ⇔ 255	0-100%
8	Amber	000 ⇔ 255	0-100%
9	Beam Macro	000 ⇔ 010	No function
		011 ⇔ 030	Beam macro 1 (slow to fast)
		031 ⇔ 050	Beam macro 2 (slow to fast)
		051 ⇔ 070	Beam macro 3 (slow to fast)
		071 ⇔ 090	Beam macro 4 (slow to fast)
		091 ⇔ 110	Beam macro 5 (slow to fast)
		111 ⇔ 130	Beam macro 6 (slow to fast)
		131 ⇔ 150	Beam macro 7 (slow to fast)
		151 ⇔ 170	Beam macro 8 (slow to fast)
		171 ⇔ 190	Beam macro 9 (slow to fast)
		191 ⇔ 210	Beam macro 10 (slow to fast)
		211 ⇔ 230	Beam macro 11 (slow to fast)
		231 ⇔ 250	Beam macro 12 (slow to fast)
		251 ⇔ 255	No function

Channel	Function	Value	Percent/Setting
10	Plate Macro	000 ⇔ 010	No function
		011 ⇔ 030	Plate macro 1 (slow to fast)
		031 ⇔ 050	Plate Macro 2 (slow to fast)
		051 ⇔ 070	Plate macro 3 (slow to fast)
		071 ⇔ 090	Plate macro 4 (slow to fast)
		091 ⇔ 110	Plate macro 5 (slow to fast)
		111 ⇔ 130	Plate macro 6 (slow to fast)
		131 ⇔ 150	Plate macro 7 (slow to fast)
		151 ⇔ 170	Plate macro 8 (slow to fast)
		171 ⇔ 190	Plate macro 9 (slow to fast)
		191 ⇔ 210	Plate macro 10 (slow to fast)
		211 ⇔ 230	Plate macro 11 (slow to fast)
		231 ⇔ 250	Plate macro 12 (slow to fast)
		251 ⇔ 255	No function

Standalone Configuration

Static Mode

The Static Fixed Color mode allows for permanent RGBA presets without a DMX controller. To run the Static Fixed Color mode:

1. Go to the **Static** main level.
2. Select **Fixed Color**.
3. Choose among the preset RGBA color options and combinations (**R, G, B, A, RG, RB, RA, GB, GA, BA, RGB, RGA, RBA, GBA, and RGBA**).

The Manual Color Mixer allows RGBA color mixing without a DMX controller. To run the Manual Color Mixer:

1. Go to the **Static** main level.
2. Select **Manual Color Mixer**.
3. Choose among **Red, Green, Blue, or Amber**.
4. Adjust the color value from **0** to **255**.

Plate Intensity

To adjust the plate intensity of the STRIKE Bolt 1C:

1. Go to the **Plate Intensity** main level.
2. Choose the intensity from **000** (darkest) to **255** (brightest).

Plate Flash Duration

To adjust the duration of the plate flash of the STRIKE Bolt 1C:

1. Go to the **Plate Flash Duration** main level.
2. Choose the intensity from **000–009** (always on), **010** (slowest), **250** (longest) to **251–255** (always on).

Plate Flash Rate

To adjust the plate flash rate of the STRIKE Bolt 1C:

1. Go to the **Plate Flash Rate** main level.
2. Choose the intensity from **000–009** (always on), **010** (slowest), **250** (fastest) to **251–255** (always on).

Beam Intensity

To adjust the beam intensity of the STRIKE Bolt 1C:

1. Go to the **Beam Intensity** main level.
2. Choose the intensity from **000** (darkest) to **255** (brightest).

Beam Flash Duration

To adjust the duration of the beam flash of the STRIKE Bolt 1C:

1. Go to the **Beam Flash Duration** main level.
2. Choose the intensity from **000–009** (always on), **010** (slowest), **250** (longest) to **251–255** (always on).

Beam Flash Rate

To adjust the beam flash rate of the STRIKE Bolt 1C:

1. Go to the **Beam Flash Rate** main level.
2. Choose the intensity from **000–009** (always on), **010** (slowest), **250** (fastest) to **251–255** (always on).

Frost

To enable the frost feature on the STRIKE Bolt 1C:

1. Go to the **Frost** main level.
2. Choose the intensity from **000–255**.

Test

To set the product to run an automatic test:

1. Go to the **Test** main level.
2. Select **Auto Test**.

To test the product manually:

1. Go to the **Test** main level.
2. Select **Manual Test**.
3. select an option, from **Frost, Master Dimmer, Beam Dimmer, Plates Dimmer, Beam Duration, Beam Rate, Plate Duration, Plate Rate, Plate 1 (Red, Green, Blue, or Amber), Plate 2 (Red, Green, Blue, or Amber), Beam 1-16, Beam FX, Top B Select, T B S & Dir, T B Crossfade, Bot B Select, B B S & Dir, B B Crossfade, or Control**.
4. Choose the intensity from **000–255**.

Operation

Settings Configuration

Dimmer Speed Mode

To set the dimmer speed:

1. Go to the **Dimmer Mode** main level.
2. Select the dimmer speed mode from **Off** (instant), **Dimmer 1** (fastest), **Dimmer 2**, or **Dimmer 3** (slowest).

Dimmer Curve

To set the dimmer curve:

1. Go to the **Dimmer Curve** main level.
2. Select from **S-Curve**, **Linear**, **Square**, or **Inverse Square**.

LED Frequency

To set the Pulse Width Modulation frequency:

1. Go to the **LED Frequency** main level.
2. Select from **1000Hz**, **2000Hz**, **4000Hz**, **6000Hz**, **25KHz**, or **64KHz**.

Red Shift

With red shift enabled, the color temperature will warm as the dimmer decreases in imitation of a lamp. To enable or disable the red shift function:

1. Go to the **Red Shift** main level.
2. Select from **No** or **Yes**.

Pixel Invert

To invert the display:

1. Go to the **Pixel Invert** main level.
2. Select from **Beam 1 Invert**, **Beam 2 Invert**, or **Plate Invert**.
3. Select from **No** or **Yes**.

LED Array Swap

To swap the beam and plate pixel mapping, do the following:

1. Go to the **LED Array Swap** main level.
2. Select **Beam Swap**.
3. Choose from **No** (keep default beam mapping) to **Yes** (invert beam mapping).

Fan Mode

To set the fan mode:

1. Go to the **Fan Mode** main level.
2. Select the fan mode, from **Auto** (adjusts to product temperature) or **On** (always on).

Display Invert

To invert the display:

1. Go to the **Display Invert** main level.
2. Select from **No** (does not invert the display) or **Yes** (inverts the display).

Key Lock

To lock or unlock the control panel:

1. Go to the **Key Lock** main level.
2. Select **On** (locks control panel) or **Off** (control panel stays unlocked).



When the key lock is activated, the product will prompt for the passcode in order to access the menu. The passcode is <UP>, <DOWN>, <UP>, <DOWN>, <ENTER>.

Display Back Light

To set how long the display will stay lit without activity:

1. Go to the **Back Light** main level.
2. Select from **10S** (10 seconds), **30S** (30 seconds), **2Min** (2 minutes), or **Always On**.

Product Information

To view the product information:

1. Go to the **Information** main level.
2. Choose among:
 - **Fixture Hours** – to display the number of hours the fixture has been on
 - **LED Hours** – to display the total LED hours used
 - **Display Ver** – to display the current software version of the fixture
 - **CTR1-DRY Ver** – to display the current driver firmware version
 - **Temperature** – to display the device temperature
 - **UID** – to display the fixture's unique identification (UID)

Upgrade Firmware

To upgrade firmware in the product:

1. Go to the **Upgrade Firmware** main level.
2. Select **Only This Fixture**, **Multiple Fixture**, **Other Fixture Type**, or **Fixture to Fixture**.

Factory Reset

To reset the product to factory default settings:

1. Go to the **Factory Reset** main level.
2. Select **No** (do not reset) or **Yes** (reset).

Master/Slave

To set the STRIKE Bolt 1C product to master or slave mode:

1. Go to the **Master/Slave** main level.
2. Select from **Master** (sends control signal) or **Slave** (receives control signal).



- **Configure all the slave products before connecting the master to the daisy chain.**
- **Never connect a DMX controller to a DMX string configured for Master/Slave operation because the controller may interfere with the signals from the master.**
- **Do not connect more than 31 slaves to the master.**

5. Maintenance

Product Maintenance

Dust build-up reduces light output performance and can cause overheating. This can lead to reduction of the light source’s life and/or mechanical wear. To maintain optimum performance and minimize wear, clean each lighting product at least twice a month. However, be aware that usage and environmental conditions could be contributing factors to increase the cleaning frequency.

To clean the product, follow the instructions below:

1. Unplug the product from power.
2. Wait until the product is at room temperature.
3. Use a vacuum (or dry compressed air) and a soft brush to remove dust collected on the external surface/vents.
4. Clean all transparent surfaces with a mild soap solution, ammonia-free glass cleaner, or isopropyl alcohol.
5. Apply the solution directly to a soft, lint free cotton cloth or a lens cleaning tissue.
6. Softly drag any dirt or grime to the outside of the transparent surface.
7. Gently polish the transparent surfaces until they are free of haze and lint.



Always dry the transparent surfaces carefully after cleaning them.



Do not spin the cooling fans with compressed air. Damage may result.

Torque Measurements

To maintain the IP rating when reassembling the product, use the given torque measurements for each of the following screws and bolts:

Fixture Parts	Torque Rating (Kgf.cm)	Torque Rating (lbf.in)
Covers, stands	10	8.6796
Sockets	6	5.20776

6. Technical Specifications

Dimensions and Weight

Length	Width	Height	Weight
14.96 in (380 mm)	8.39 in (213 mm)	11.81 in (300 mm)	19 lb (8.7 kg)

Note: Dimensions in inches are rounded.

Power

Power Supply Type	Range	Voltage Selection
Switching (internal)	100 to 240 VAC, 50/60 Hz	Auto-ranging

Parameter	100 V, 60 Hz	120 V, 60 Hz	208 V, 60 Hz	230 V, 50 Hz	240 V, 50 Hz
Consumption	334 W	329 W	326 W	323 W	322 W
Operating Current	3.41 A	2.82 A	1.82 A	1.48 A	1.42 A

Power I/O	U.S./Worldwide	UK/Europe
Power Input Connectors	Seetronic Powerkon IP65	Seetronic Powerkon IP65
Power Output Connector	Seetronic Powerkon IP65	Seetronic Powerkon IP65
Power Cable plug	Edison	Local plug

Light Source

Type	Color	Quantity	Power	Current	Lifespan
LED	Quad	66	0.9–1.5 W	470 mA	50,000 hours
LED	CW	392	1.5 W		50,000 hours

Photometrics

	Beam angle	Field angle	Lumens	Illuminance @ 5 m
Plate	84.6° x 73.6°	139.7° x 114.5°	2735	66 lux
Beam	77.7° x 54.7°	129.1° x 102.3°	23,736	729 lux
Combined	77.5 x 55.8°	130.6° x 104.4°	20,251	605 lux

Color Temperature	CRI	Strobe Rate
5692 K	89.2	0 to 30 Hz

Thermal

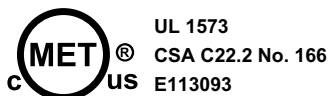
Maximum External Temperature	Cooling System
113 °F (45 °C)	Fan-assisted Convection

Control

DMX I/O Connector	Art-Net™ / sACN I/O Connector	Channel Range
5-pin XLR	Seetronic EtherCON	10, 11, 13, 17, 20, 25, 27, or 40

Ordering

Product Name	Item Name	Item Code	UPC Number
STRIKE Bolt 1C	STRIKEBOLT1C	03052014	781462223625



Contact Us

General Information	Technical Support
Chauvet World Headquarters	
Address: 3360 Davie Rd., Suite 509 Davie, FL 33314 Voice: (954) 577-4455 Fax: (954) 929-5560 Toll Free: (800) 762-1084	Voice: (844) 393-7575 Fax: (954) 756-8015 Email: chauvetcs@chauvetlighting.com Website: www.chauvetprofessional.com
Chauvet U.K.	
Address: Pod 1 EVO Park Little Oak Drive, Sherwood Park Nottinghamshire, NG15 0EB UK Voice: +44 (0) 1773 511115 Fax: +44 (0) 1773 511110	Email: UKtech@chauvetlighting.eu Website: www.chauvetprofessional.eu
Chauvet Benelux	
Address: Stokstraat 18 9770 Kruishoutem Belgium Voice: +32 9 388 93 97	Email: BNLtech@chauvetlighting.eu Website: www.chauvetprofessional.eu
Chauvet France	
Address: 3, Rue Ampère 91380 Chilly-Mazarin France Voice: +33 1 78 85 33 59	Email: FRtech@chauvetlighting.fr Website: www.chauvetprofessional.eu
Chauvet Germany	
Address: Bruno-Bürgel-Str. 11 28759 Bremen Germany Voice: +49 421 62 60 20	Email: DEtech@chauvetlighting.de Website: www.chauvetprofessional.eu
Chauvet Mexico	
Address: Av. de las Partidas 34 - 3B (Entrance by Calle 2) Zona Industrial Lerma Lerma, Edo. de México, CP 52000 Voice: +52 (728) 690-2010	Email: servicio@chauvet.com.mx Website: www.chauvetprofessional.mx

Warranty & Returns

For warranty terms and conditions and return information, please visit our website.

For customers in the United States and Mexico: www.chauvetlighting.com/warranty-registration.

For customers in the United Kingdom, Republic of Ireland, Belgium, the Netherlands, Luxembourg, France, and Germany: www.chauvetlighting.eu/warranty-registration.