

STRIKE **ARRAY** 2C

User Manual



Model ID: STRIKEARRAY2C


CHAUVET
PROFESSIONAL

Edition Notes

The STRIKE Array 2C User Manual includes a description, safety precautions, installation, programming, operation, and maintenance instructions for the STRIKE Array 2C as of the release date of this edition.

Trademarks

Chauvet, Chauvet Professional, the Chauvet logo, and STRIKE are registered trademarks or trademarks of Chauvet & Sons, LLC (d/b/a Chauvet and Chauvet Lighting) in the United States and other countries. Other company and product names and logos referred to herein may be trademarks of their respective companies.

Copyright Notice

The works of authorship contained in this manual, including, but not limited to, all designs, text, and images are owned by Chauvet.

© **Copyright 2024 Chauvet & Sons, LLC. All rights reserved.**

Electronically published by Chauvet in the United States of America.

Manual Use

Chauvet authorizes its customers to download and print this manual for professional information purposes only. Chauvet expressly prohibits the usage, copy, storage, distribution, modification, or printing of this manual or its content for any other purpose without written consent from Chauvet.

Document Printing

For best results, print this document in color, on letter size paper (8.5 x 11 in), double-sided. If using A4 paper (210 x 297 mm), configure the printer to scale the content accordingly.

Intended Audience

Any person installing, operating, and/or maintaining this product should completely read through the guide that shipped with the product, as well as this manual, before installing, operating, or maintaining this product.

Disclaimer

Chauvet believes that the information contained in this manual is accurate in all respects. However, Chauvet assumes no responsibility and specifically disclaims any and all liability to any party for any loss, damage or disruption caused by any errors or omissions in this document, whether such errors or omissions result from negligence, accident, or any other cause. Chauvet reserves the right to revise the content of this document without any obligation to notify any person or company of such revision, however, Chauvet has no obligation to make, and does not commit to make, any such revisions.

Document Revision

Go to www.chauvetprofessional.com for the latest version.

Revision	Date	Description
1	05/2024	Initial release.

TABLE OF CONTENTS

1. Before You Begin	1
What Is Included	1
Claims	1
Text Conventions	1
Symbols	1
Safety Notes.....	2
FCC Statement of Compliance	3
Expected LED Lifespan.....	3
2. Introduction	4
Description	4
Features.....	4
Product Overview.....	4
Product Dimensions	5
3. Setup	6
AC Power	6
AC Plug.....	6
Power Linking.....	6
USB Software Update	6
Force Upload.....	7
Signal Connections	8
Control Personalities	8
DMX Linking.....	8
Remote Device Management.....	8
Art-Net™ Connection	8
sACN Connection.....	8
Ethernet Connection Diagram.....	8
Mounting	9
Orientation.....	9
Rigging	9
Procedure.....	9
Mounting Diagram.....	9
Multi-Product Mounting	10
Multi-Product Mounting Diagram	10
Mounting Products Attached in Series	11
Vertical Mounting Stability	12
4. Operation	13
Control Panel Description	13
Programming.....	13
Passcode	13
Menu Map	13
Control Configuration	17
Control Mode.....	17
Control Personalities	17
Starting Address.....	17
Ethernet Settings.....	18
IP Mode	18

Universe	18
Start Channel.....	18
IP Address	18
Ethernet to DMX.....	18
Virtual Color Wheel	19
Virtual Color Wheel Chart	19
Color Temperature Chart	20
DMX Channel Assignments and Values	20
Control Chart.....	20
25 Ch / 12 Ch2	20
16 Ch / 13 Ch / 12 Ch1 / 10 Ch / 7 Ch / 5 Ch / 3 Ch	21
HSV.....	21
1Ch.....	22
Standalone Configuration.....	22
Static Mode	22
Virtual Color Wheel.....	22
Color Temperature	22
Manual Color Mixer	22
Color X-Fade Speed	22
Auto Show.....	22
Settings Configuration.....	22
Red Shift	22
Master/Slave	22
Dimmer Curve	23
Dimmer Speed Mode	23
Color Calibration	23
Pulse Width Modulation	23
Display Invert	23
Fan Mode	23
Display Backlight.....	23
Key Lock	23
Information	23
Temperature.....	23
Factory Reset.....	23
Web Server	24
Home.....	24
Settings	24
Output	24
Security	24
5. Maintenance.....	25
Product Maintenance	25
Torque Measurements	25
Vacuum Test Measurements	25
6. Technical Specifications	26
Contact Us	27
Warranty & Returns.....	27

Before You Begin

1. Before You Begin

What Is Included

- STRIKE Array 2C
- Omega bracket with mounting hardware
- Seetronic Powerkon IP65 power cable
- Quick Reference Guide

Claims

Carefully unpack the product immediately and check the container to make sure all the parts are in the package and are in good condition.




If the box or the contents (the product and included accessories) appear damaged from shipping, or show signs of mishandling, notify the carrier immediately, not Chauvet. Failure to report damage to the carrier immediately may invalidate a claim. In addition, keep the box and contents for inspection.

For other issues, such as missing components or parts, damage not related to shipping, or concealed damage, file a claim with Chauvet within 7 days of delivery.

Text Conventions

Convention	Meaning
1–512	A range of values
50/60	A set of values of which only one can be chosen
Settings	A menu option not to be modified
<ENTER>	A key to be pressed on the product's control panel

Symbols

Symbol	Meaning
	Critical installation, configuration, or operation information. Not following these instructions may make the product not work, cause damage to the product, or cause harm to the operator.
	Important installation or configuration information. The product may not function correctly if this information is not used.
	Useful information.



Any reference to data or power connections in this manual assumes the use of Seetronic IP rated cables.



The term “DMX” used throughout this manual refers to the USITT DMX512-A digital data transmission protocol.

Safety Notes

Read all the following safety notes before working with this product. These notes contain important information about the installation, usage, and maintenance of this product.



This product contains no user-serviceable parts. Any reference to servicing in this User Manual will only apply to properly trained, certified technicians. Do not open the housing or attempt any repairs.



All applicable local codes and regulations apply to proper installation of this product.

- The luminaire is intended for professional use only.
- The luminaire should be positioned so that prolonged staring into the luminaire at a distance closer than 7.5 ft (2.3 m) is not expected.
- If the external flexible cable or cord of this luminaire is damaged, it shall be replaced by a special cord or cord exclusively available from the manufacturer or its service agent.
- The light source contained in this luminaire shall only be replaced by the manufacturer or its service agent or a similar qualified person.
- **CAUTION:**
 - This product's housing may be hot when operating. Mount this product in a location with adequate ventilation, at least 20 in (50 cm) from adjacent surfaces.
 - When transferring the product from extreme temperature environments, (e.g., cold truck to warm humid ballroom) condensation may form on the internal electronics of the product. To avoid causing a failure, allow the product to fully acclimate to the surrounding environment before connecting it to power.
 - Flashing light is known to trigger epileptic seizures. User must comply with local laws regarding notification of strobe use.
- **ALWAYS:**
 - Disconnect from power before cleaning the product.
 - When using an IP65-rated product in an outdoor environment, use IP65- (or higher) rated power and data cable.
 - Replace and secure IP-rated protective covers to all power, data, USB, or other ports when not in use.
 - Use a safety cable when mounting this product overhead.
 - Connect this product to a grounded and protected circuit.
- **DO NOT:**
 - Open this product. It contains no user-serviceable parts.
 - Look at the light source when the product is on.
 - Leave any flammable material within 1 m of this product while operating or connected to power.
 - Connect this product to a dimmer or rheostat.
 - Operate this product if the housing, lenses, or cables appear damaged.
 - Submerge this product (adhere to standards for the published IP rating). Regular outdoor operation is fine.
 - Permanently install outdoors in locations with extreme environmental conditions. This includes, but is not limited to:
 - Exposure to a marine/saline environment (within 3 miles of a saltwater body of water).
 - Locations where normal temperatures exceed the temperature ranges in this manual.
 - Locations that are prone to flooding or being buried in snow.
 - Other areas where the product will be subject to extreme radiation or caustic substances.
 - **ONLY** use the hanging/mounting bracket to carry this product.
 - The maximum ambient temperature is 113 °F (45 °C). Do not operate this product at higher temperatures.
 - The minimum startup temperature is -4°F (-20°C). Do not start the product at lower temperatures.
 - The minimum ambient temperature is -22°F (-30°C). Do not operate the product at lower temperatures.
 - To eliminate unnecessary wear and improve its lifespan, during periods of non-use completely disconnect the product from power via breaker or by unplugging it.
 - In the event of a serious operating problem, stop using immediately.



If this Chauvet product requires service, contact Chauvet Technical Support.

Before You Begin

FCC Statement of Compliance

This device complies with Part 15 Part B of the FCC rules. Operation is subject to the following two conditions:

1. This device may not cause harmful interference, and
2. This device must accept any interference received, including interference that may cause undesired operation.

This equipment has been tested and found to comply with the limits for a Class B digital device, pursuant to Part 15 of the FCC Rules. These limits are designed to provide reasonable protection against harmful interference in a residential installation. This equipment generates uses and can radiate radio frequency energy and, if not installed and used in accordance with the instructions, may cause harmful interference to radio communications. However, there is no guarantee that interference will not occur in a particular installation. If this equipment does cause harmful interference to radio or television reception, which can be determined by turning the equipment off and on, the user is encouraged to try to correct the interference by one or more of the following measures:

- Reorient or relocate the receiving antenna.
- Increase the separation between the equipment and receiver.
- Connect the equipment into an outlet on a circuit different from that to which the receiver is connected.
- Consult the dealer or an experienced radio/TV technician for help.

Any changes or modifications not expressly approved by the party responsible for compliance could void the user's authority to operate the equipment.

Expected LED Lifespan

Over time, use and heat will gradually reduce LED brightness. Clustered LEDs produce more heat than single LEDs, contributing to shorter lifespans if always used at full intensity. The average LED lifespan is 40,000 to 50,000 hours. To extend LED lifespan, maintain proper ventilation around the product, and limit the overall intensity.

2. Introduction

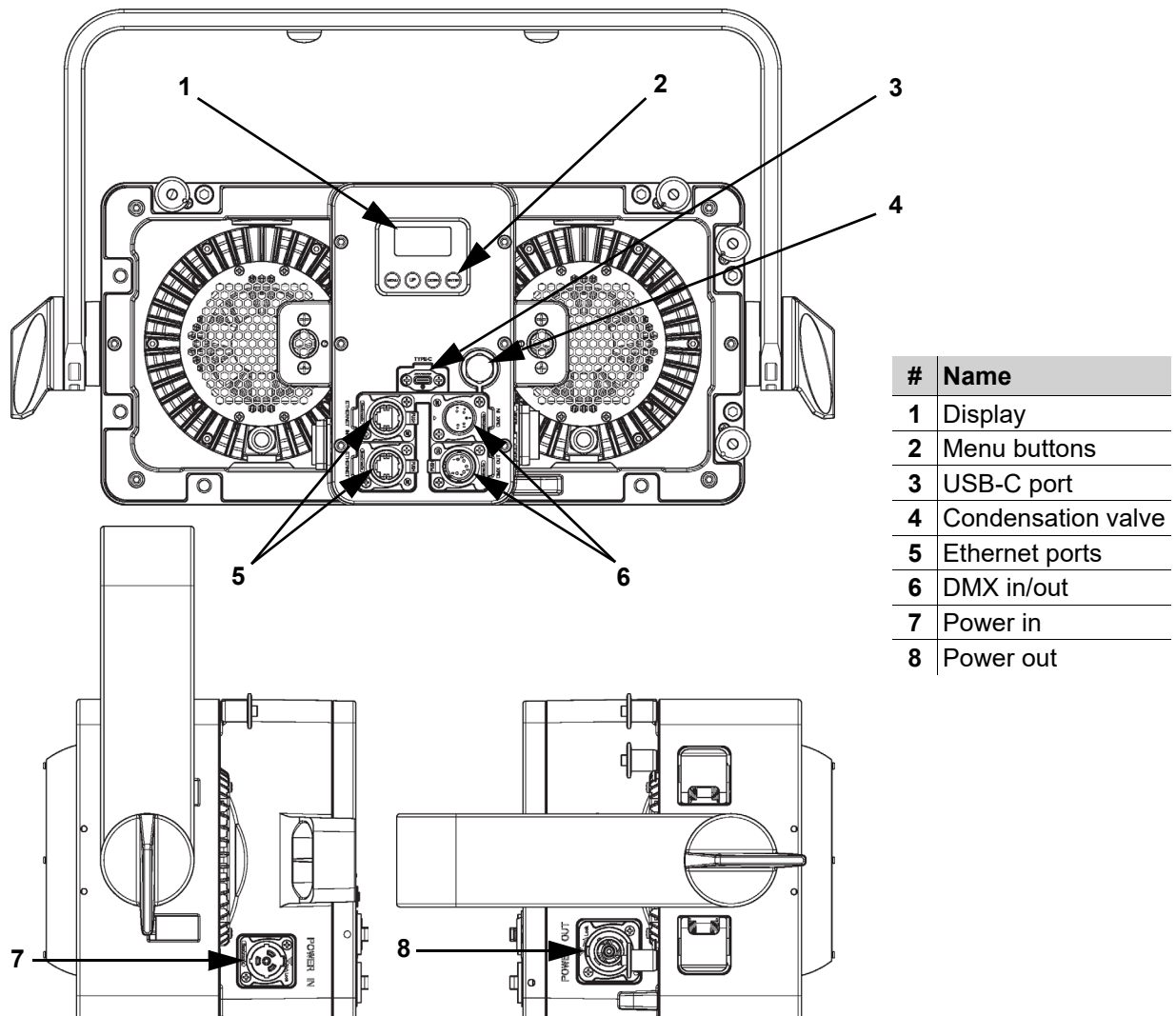
Description

The STRIKE Array 2C is an IP65-rated audience blinder with two independently focusable pods. Intense RGBA-WW LED output delivers a full range of color as well as a wide choice of white color temperatures with exceptional color rendering. Industry leading low end dimming performance includes Red Shift which warms the color temperature of the output as it dims to emulate a classic tungsten look. Variable PWM and high CRI make the product ideal for broadcast applications. A proprietary Tool-Free interlocking system enables the STRIKE Array 2C to be interconnected easily with other STRIKE Array-series products for scalable configurations. Omega-Bracket locks installed on both the yoke and the rear of the product streamline the truss mounting process.

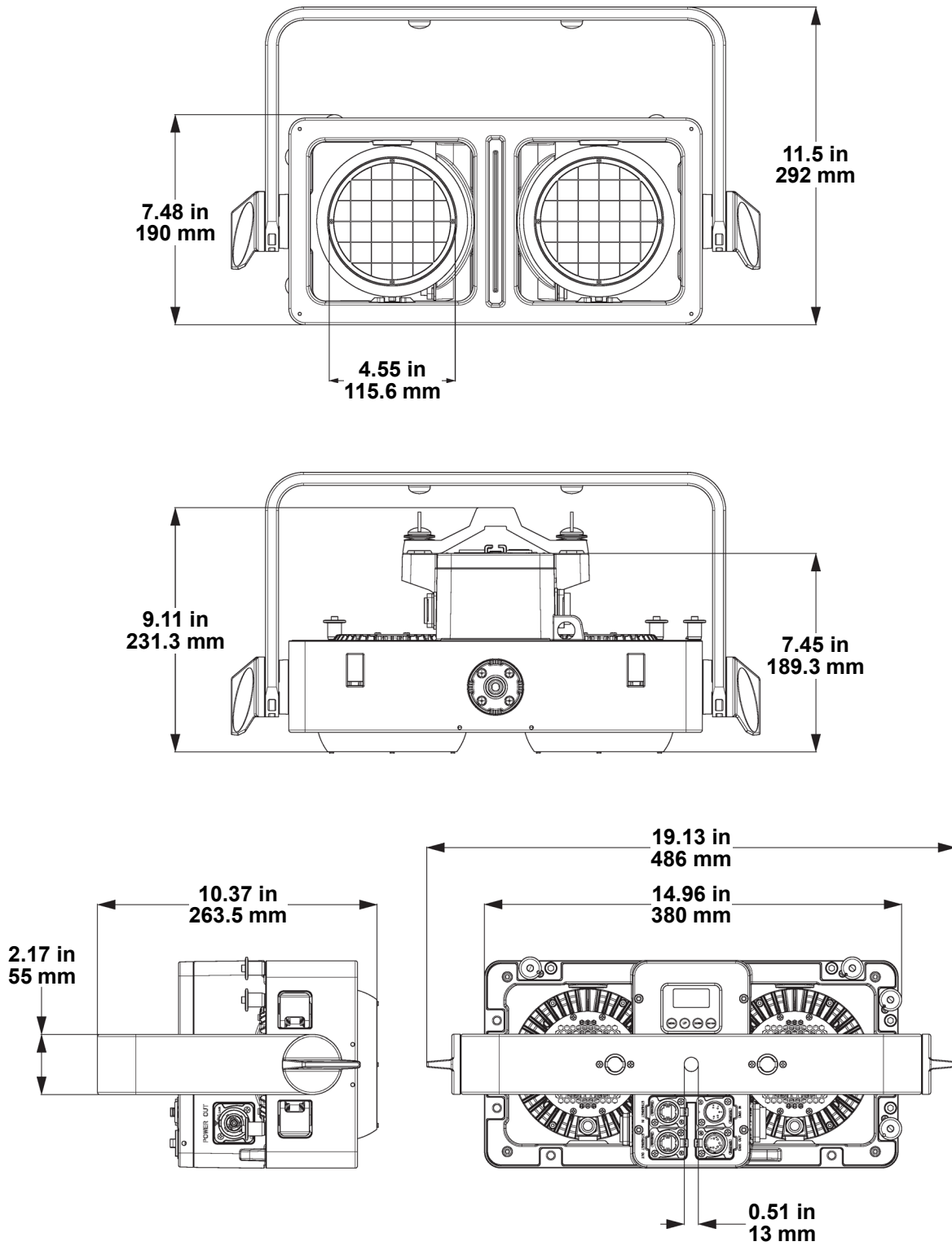
Features

- Intense 2 pod color blinder/strobe rated IP65 for all-weather use
- Full range of color and excellent rendition of any color temperature of white
- Emulated “red shift” to mimic incandescent fixtures perfectly
- Individual pan (or tilt depending on mount orientation) of each head to allow for directional adjustment of light output
- Innovative interlocking system to connect multiple Strike Array family fixtures together
- Multiple mounting locations and re-positionable yoke with ¼ turn adapters for creative and convenient rigging options
- Independent pod control and strobe functionality for high-impact effects on the fly

Product Overview



Product Dimensions



3. Setup

AC Power

The STRIKE Array 2C has an auto-ranging power supply and it can work with an input voltage range of 100 to 240 VAC, 50/60 Hz.

To determine the product's power requirements (circuit breaker, power outlet, and wiring), use the current value listed on the label affixed to the product's back panel, or refer to the product's specifications chart. The listed current rating indicates the product's average current draw under normal conditions.



- **Always connect the product to a protected circuit (a circuit breaker or fuse). Ensure the product has an appropriate electrical ground to avoid the risk of electrocution or fire.**
- **To eliminate unnecessary wear and improve its lifespan, during periods of non-use completely disconnect the product from power via breaker or by unplugging it.**



Never connect the product to a rheostat (variable resistor) or dimmer circuit, even if the rheostat or dimmer channel serves only as a 0 to 100% switch.

AC Plug

The STRIKE Array 2C comes with a power input cable terminated with a Seetronic Powerkon A connector on one end and an Edison plug on the other end (U.S. market). If the power cable which came with the product has no plug, or if it is necessary to change the plug, use the table below to wire a plug.

Connection	Wire (U.S.)	Wire (Europe)	Screw Color
AC Live	Black	Brown	Yellow or Brass
AC Neutral	White	Blue	Silver
AC Ground	Green/Yellow	Green/Yellow	Green

Power Linking

It is possible to power link STRIKE Array 2C products. See the table below for the current draw at each voltage and frequency:

	100 V, 60 Hz	120 V, 60 Hz	208 V, 60 Hz	230 V, 50 Hz	240 V, 50 Hz
Current Draw	6.000 A	5.000 A	2.780 A	2.491 A	2.375 A

Never exceed 12 A on a single circuit. Power-linking cables can be purchased separately.

USB Software Update

The STRIKE Array 2C allows for software update through USB using the built-in USB port. To update the software using a USB flash drive, do the following:

1. Power on the product and plug the flash drive into the USB port.
2. Once the flash drive has been detected, the message "**Upgrade Firmware**" will be displayed. Press **<ENTER>**. If a different message appears on the display, search for the updated software in the menu (**Update Firmware**) and select from **Only This Fixture**, **Multiple Fixture**, **Other Fixture Type**, or **Fixture To Fixture**. A list of the updated software files will be displayed.
3. Select the file that needs to be uploaded. The message "**Are you sure?**" will be displayed. Press **<ENTER>**.



If the selected file is incorrect, the upgrade will fail, and the display will go back to the main interface. Repeat steps 1–3 using the correct file.

4. If the selected file is correct, the update will start. **DO NOT** turn off power or disconnect the USB during the process. The USB update can take several minutes to complete.
5. When the update is complete, the product will automatically reboot.
6. Go to the **Information** level of the product main menu and confirm the firmware revision.
7. When the boot-up process is finished, restart the product manually.



- **Place the .chl file in the root directory of the USB drive.**
- **The product's USB port supports up to 32GB capacity and only works with FAT32 file format.**



Turning off the power, removing the USB, or not setting the fixture to the correct protocol during the update can cause partial or total firmware failure in the targeted fixture(s). Please refer to the Force Upload section to fix firmware failure issues.

Force Upload

A Force Upload is done whenever a software update fails due to accidental removal of the USB flash drive, incorrect control protocol, or loss of power during a regular software update process.



- **A Force Upload process requires a target fixture (the fixture that needs a Force Upload and a main fixture (the fixture that controls the upload process).**
- **The Force Upload process can only be done one target fixture at a time.**

To do a Force Upload, follow the instructions below:

1. Link the target fixture to the main fixture via a DMX 5-pin connection. Ensure that the target fixture is turned off.
2. Turn on the main fixture and set its protocol to **DMX512**.
3. Plug the flash drive into the USB-C port of the main fixture.
4. Go to Upgrade Firmware on the menu map.
5. Choose between **Multiple Fixture** and **Other Fixture Type**. Press **<ENTER>**.
 - **Multiple Fixture:** Both the target fixture and main fixture are from the same product line (e.g., 2 STRIKE Array 2C fixtures).
 - **Other Fixture Type:** The target fixture and main fixture are from different product series (e.g., a STRIKE Array 2C as the target fixture and a Maverick Silens 2 Profile as the main fixture).
6. Select the file that needs to be uploaded. The message “**Are you sure?**” will appear on the screen. Press **<ENTER>**. Turn on the target fixture within 1–2 seconds of pressing **<ENTER>**. The display on the target fixture should remain off.
 - a. The main fixture will show the update progress (0–100%).
 - b. The target fixture’s display will turn on, and a notification “**<UPDATE>**” will appear on the screen.



The timing of when the target fixture’s display will turn on varies from fixture to fixture.

7. DO NOT turn off power or remove the USB flash drive. Once the software is done uploading, the target fixture will automatically reboot.
8. Go to the target fixture’s main menu and confirm that the firmware version has been updated.
9. Reboot the target fixture.

Signal Connections

The STRIKE Array 2C can receive a DMX, Art-Net™, or sACN signal. The product has 2 Seetronic Etherkon through ports and 5-pin DMX in and out ports. If using other compatible products with this product, it is possible to control each individually with a single controller.

Control Personalities

The STRIKE Array 2C uses a 5-pin DMX data connection, Art-Net™, or sACN for its 11 control personalities, ranging from **1 Ch** to **25 Ch**.

- Refer to the [Operation](#) chapter to learn how to configure the STRIKE Array 2C to work in these personalities.
- The [DMX Channel Assignments and Values](#) section provides detailed information regarding the control personalities.



For more information about DMX standards or the DMX cables needed to link this product to a DMX controller, download the DMX Primer from the Chauvet website:

www.chauvetprofessional.com.

DMX Linking

It is possible to link the STRIKE Array 2C to a DMX controller using a 5-pin DMX connection. For more information about DMX, read the DMX primer at: https://www.chauvetprofessional.com/wp-content/uploads/2016/06/DMX_Primer.pdf.

Remote Device Management

Remote Device Management, or RDM, is a standard for allowing DMX-enabled devices to communicate bi-directionally along existing DMX cabling. Check the DMX controller's User Manual or with the manufacturer as not all DMX controllers have this capability. The STRIKE Array 2C supports RDM protocol that allows feedback to make changes to menu map options.

Art-Net™ Connection

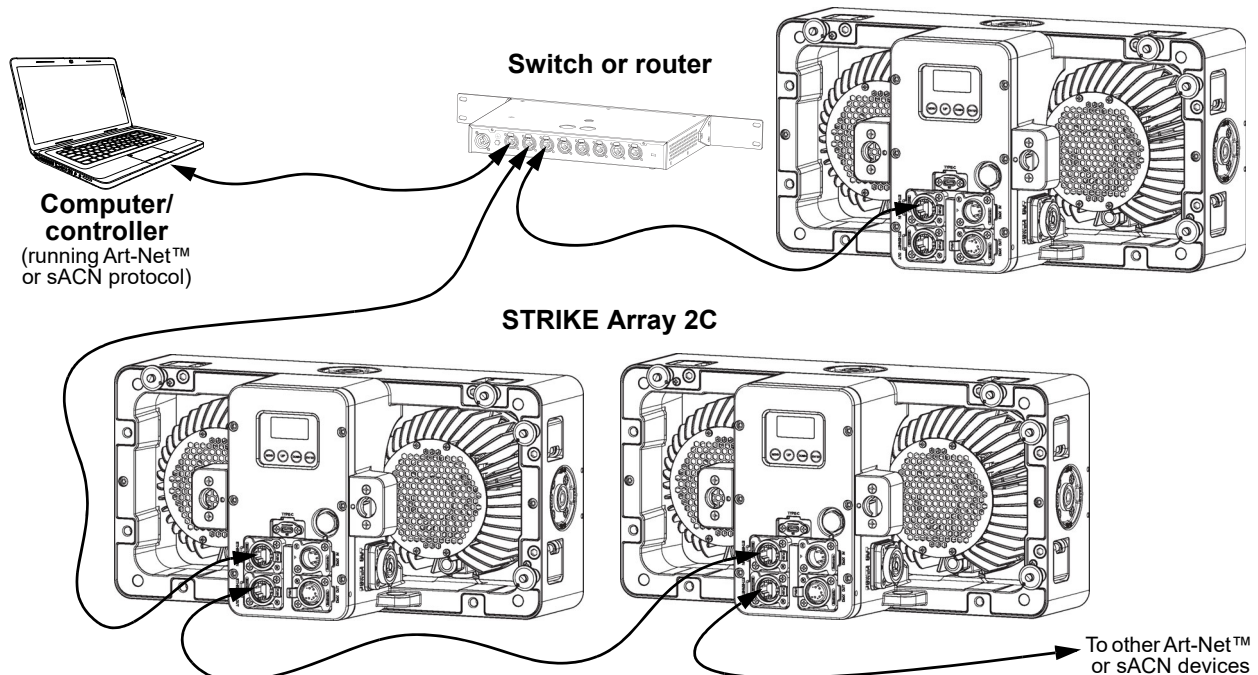
Art-Net™ is an Ethernet protocol that uses TCP/IP which transfers a large amount of DMX512 data using an ethernet connection over a large network. An Art-Net™ protocol document is available from www.chauvetprofessional.com.

Art-Net™ designed by and copyright Artistic Licence Holdings Ltd.

sACN Connection

Also known as ANSI E1.31, streaming ACN is an Ethernet protocol that uses the layering and formatting of Architecture for Control Networks to transport DMX512 data over IP or any other ACN compatible network.

Ethernet Connection Diagram



Setup

Mounting

Before mounting the product, read and follow the safety recommendations indicated in the [Safety Notes](#).

Orientation

Always mount this product in a safe position, making sure there is adequate room for ventilation, configuration, and maintenance.

Rigging

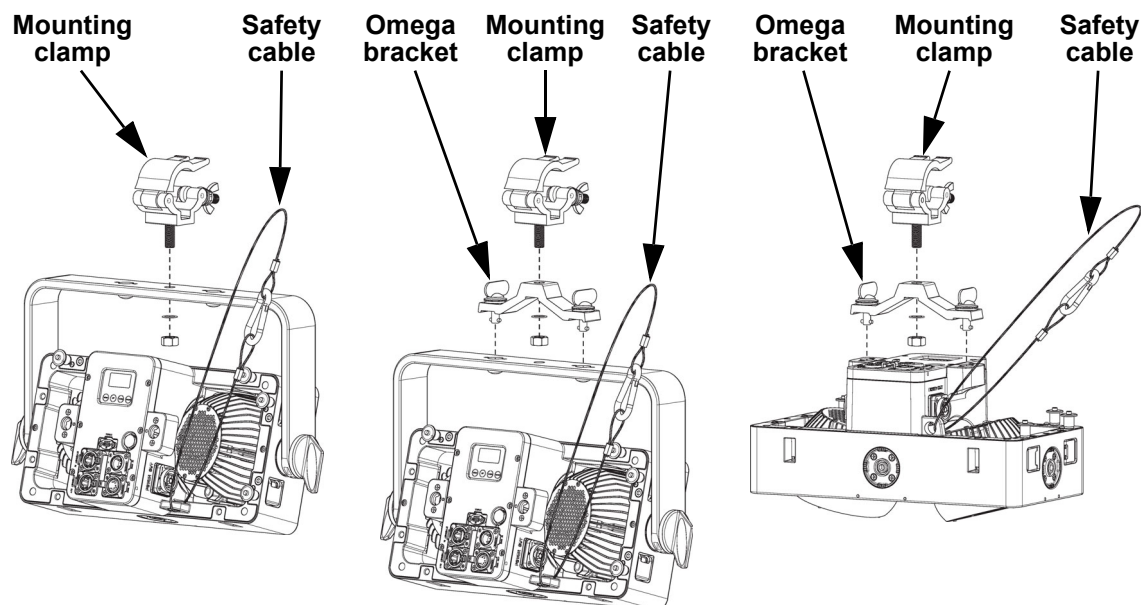
Chauvet recommends using the following general guidelines when mounting this product.

- Before deciding on a location for the product, make sure there is easy access to the product for maintenance and programming purposes.
- Make sure that the structure and attachment points can support the weight before hanging the product (see the [Technical Specifications](#) for weight information).
- When mounting the product overhead, always use a safety cable. Mount the product securely to a rigging point, whether an elevated platform or a truss.
- When rigging the product onto a truss, use a mounting clamp of appropriate weight capacity.

Procedure

The STRIKE Array 2C comes with an Omega bracket. The user can directly attach a mounting clamp to this Omega bracket. Make sure the clamp is capable of supporting the weight of this product. For the Chauvet Professional line of mounting clamps, go to <http://www.trusst.com/products>.

Mounting Diagram

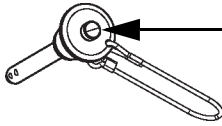


Multi-Product Mounting

The STRIKE Array 2C has an interlocking system to connect multiple STRIKE Array 2C or STRIKE Array 2C products together, vertically or horizontally.

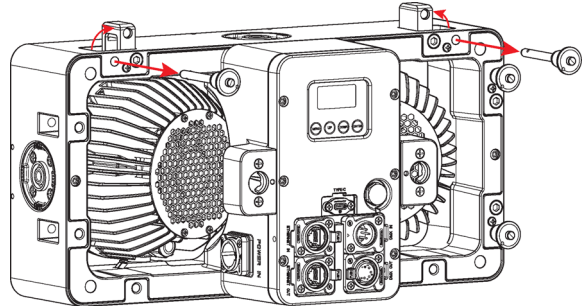
Multi-Product Mounting Diagram

Press and hold the latch button to remove or insert the retaining pins

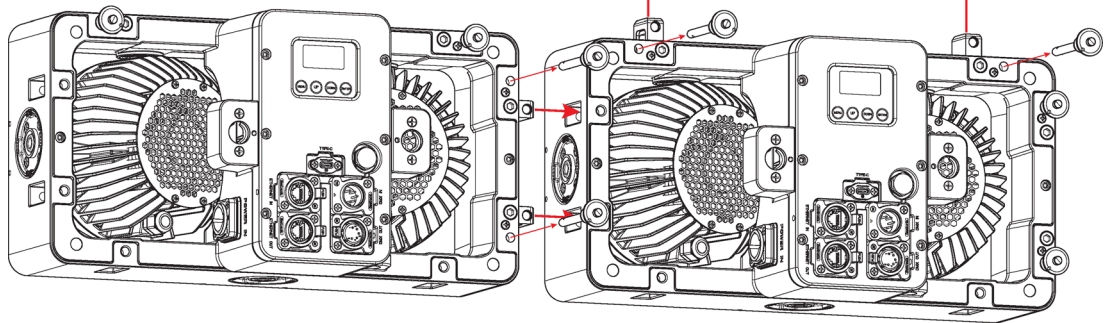
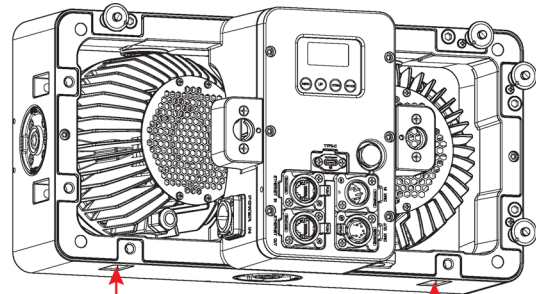


Latch button

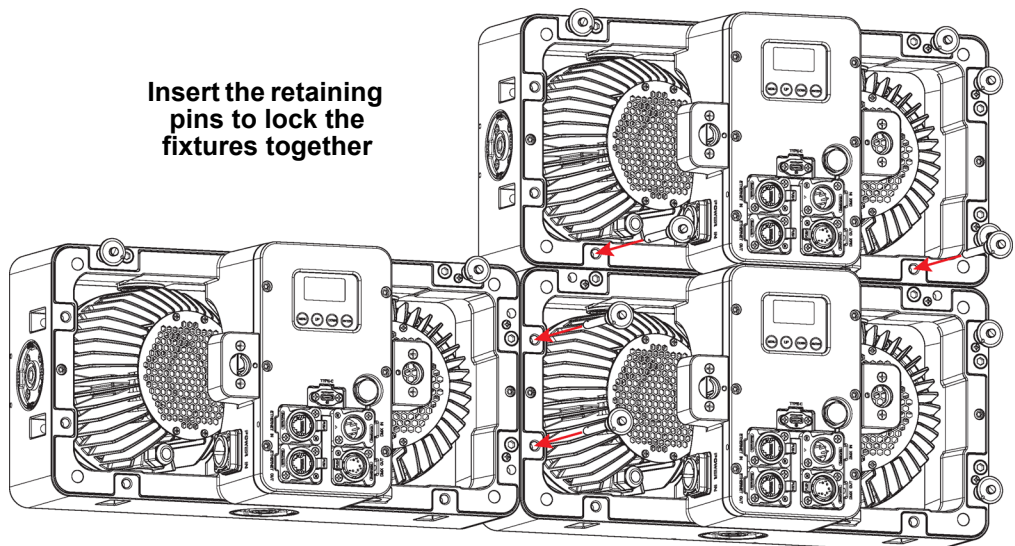
Remove the retaining pins to release the integrated hanging hardware



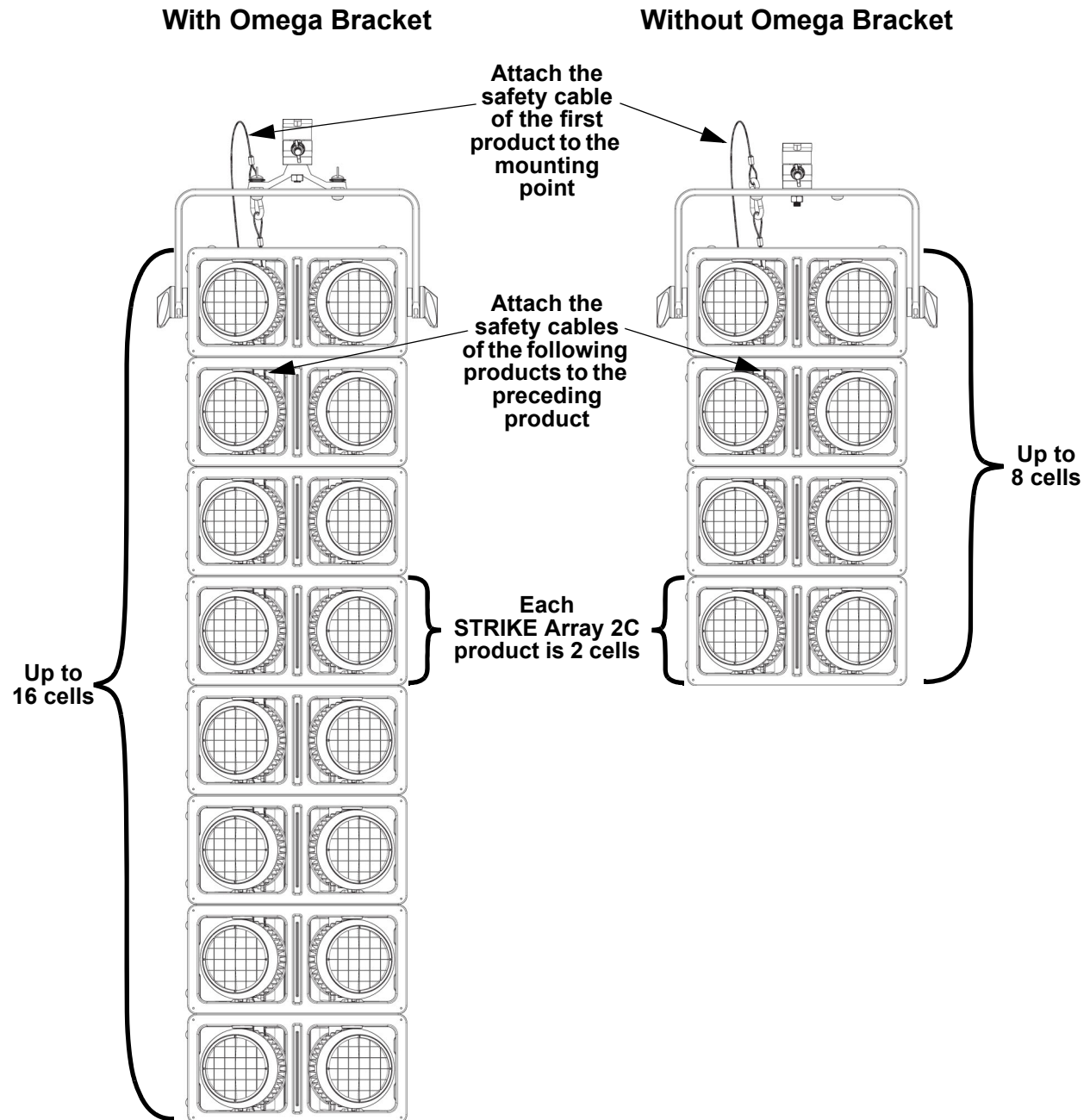
Insert the integrated hanging hardware into the opening of the next fixture (vertically or horizontally)



Insert the retaining pins to lock the fixtures together



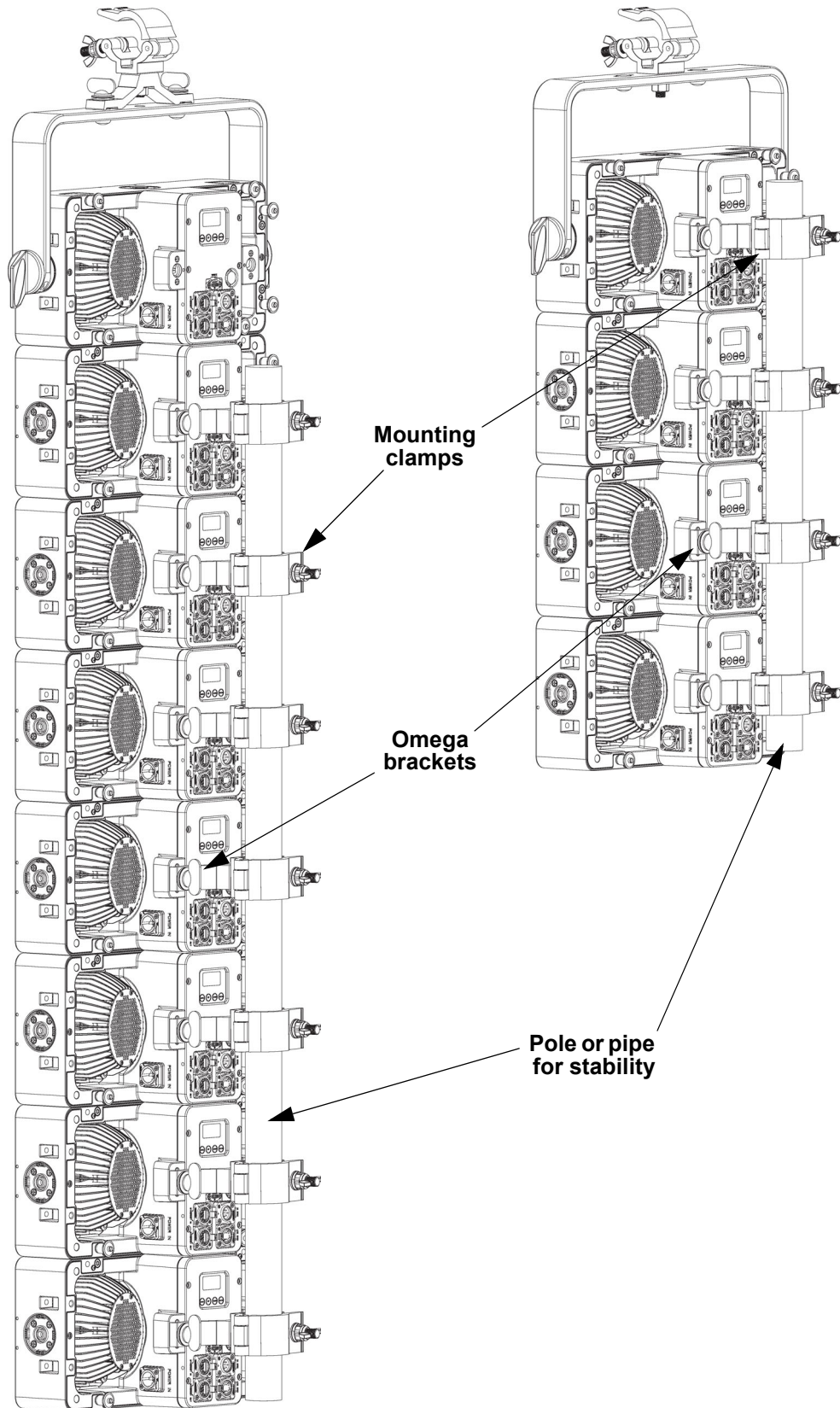
Mounting Products Attached in Series



- When using the omega bracket, never hang more than 16 cells vertically from a single mounting point.
- When not using the omega bracket, never hang more than 8 cells vertically from a single mounting point.

Vertical Mounting Stability

When mounting products attached in series, use omega brackets in the back position to create a spine. This will prevent any motion which may damage the products.



4. Operation

Control Panel Description

Button	Function
<MENU>	Exits from the current menu or function
<ENTER>	Enables the currently displayed menu or sets the currently selected value into the selected function
<UP>	Navigates upwards through the menu list or increases the numeric value when in a function
<DOWN>	Navigates downwards through the menu list or decreases the numeric value when in a function

Programming

Refer to the Menu Map to understand the menu options. The menu map shows the main level and a variable number of programming levels for each option.

- To go to the desired main level, press <MENU> repeatedly until the option shows on the display. Press <ENTER> to select. This will enter the first programming level for that option.
- To select an option or value within the current programming level, press <UP> or <DOWN> until the option shows on the display. Press <ENTER> to select. In this case, if there is another programming level, that first option or the selected value will show on the display.
- Press <MENU> repeatedly to exit to the previous main level.

Passcode

After being prompted to enter the passcode, press <UP>, <DOWN>, <UP>, <DOWN>, <ENTER>.

Menu Map

Refer to the STRIKE Array 2C product page on www.chauvetprofessional.com for the latest menu map and software.

Main Menu	Programming Levels		Description
Protocol	DMX512		Sets the control protocol
	Artnet		
	sACN		
DMX Address	001–512*		Selects DMX address (*Highest channel restricted to personality chosen)
DMX Channel	1 Ch	Virtual Color Wheel	1-channel: dimmer
		Color Temperature	
		Manual Color Mixer	
		3 Ch	3-channel: dimmer, virtual color wheel, color temperature
		5 Ch	5-channel: RGBAW
		7 Ch	7-channel: dimmer, RGBAW, strobe
		10 Ch	10-channel: dimmer, RGBAW, strobe, virtual color wheel, color temperature
		12 Ch1	12-channel: dimmer, RGBAW, strobe, virtual color wheel, color temperature, auto programs and speed, control
		13 Ch	13-channel: 16-bit dimmer, 16-bit RGBAW, strobe
		16 Ch	16-channel: 16-bit dimmer, 16-bit RGBAW, strobe, virtual color wheel, color temperature, control
		12 Ch2	12-channel: 16-bit RGBAW 1–2, control
		25 Ch	25-channel: 16-bit dimmer 1–2, 16-bit RGBAW 1–2, control
	HSV	3-channel: hue, saturation, value	

Main Menu	Programming Levels		Description					
Virtual Color Wheel	Virtual Color Wheel	Md Yellow	Dimmer <000–255>	Virtual Color Wheel simulates the output of each gel color. Refer to the Virtual Color Wheel Chart for specific values.				
		Lt Yellow						
		Amb Yellow						
		VLt Amber						
		Lt Amber						
		Md Amber						
		Dk Amber						
		Lt Red						
		Md Red						
		NC Pink						
		Md Pink						
		Dk Pink						
		Md Red Amber						
		Dk Red Amber						
		Magenta						
		Dk Magenta						
		Lt Lavender						
		Lt Blue						
		VLt Blue						
		Lt Blue 2						
		Blue						
		Md Blue						
		Dk Blue						
		Indigo						
		VDk Blue						
		VDk Blue 2						
		Yel Green						
		Green						
		Turquoise						
		Aqua						
		Blue Green						
		Color Temperature			Color Temperature	2800K	Dimmer <000–255>	Preset white color temperatures. Emulates a tungsten lamp at the specified color temperature. Refer to the Color Temperature Chart for specific values.
						3000K		
3200K								
3500K								
4000K								
4500K								
5000K								
5600K								
6000K								
6500K								
Manual Color Mixer	Manual Color Mixer	Red	<000–255>	Combines red, green, blue, amber, and white to make a custom color (0–100%)				
		Green						
		Blue						
		Amber						
		White						

Main Menu	Programming Levels		Description	
Virtual Color Wheel (cont.)	Color X-Fade Speed	Off	Disables fade transition between colors	
		X-Fade Speed 1	Enables fade transition between colors in the Virtual Color Wheel menu, from fast (X-Fade Speed 1) to slow (X-Fade Speed 4)	
		X-Fade Speed 2		
		X-Fade Speed 3		
X-Fade Speed 4				
Auto Show	Auto 1–6	<001–100>	Selects automatic programs and auto program speed	
Red Shift	On		Enables or disables red shift	
	Off			
Master/ Slave	Master		Standalone mode	
	Slave		Slave mode	
Dimmer Curve	S-Curve		Sets the dimmer curve	
	Linear			
	Square			
	Inverse Square			
Dimmer Mode	Off		Instantaneous dimmer	
	Dimmer 1–3		Dimmer mode, fast (1) to slow (3)	
Color Calibration	User Calibration	Off	Color calibration off	
		Red	<125–255>	Sets maximum red LED value
		Green		Sets maximum green LED value
		Blue		Sets maximum blue LED value
		Amber		Sets maximum amber LED value
	White	Sets maximum white LED value		
Factory Calibration		Color calibration set by factory		
LED Frequency	600Hz		Sets the Pulse Width Modulation frequency	
	1200Hz			
	2000Hz			
	4000Hz			
	6000Hz			
	25KHz			
Display Invert	No		Does not invert the display	
	Yes		Inverts the display	
Fan Mode	Auto		Sets the fan to auto mode	
	On		Sets the fan to always on	
	Off		Sets the fan to always off	
	Silent		Sets the fan to silent	
Back Light	10S		Turns off display backlight after 10 seconds of inactivity	
	30S		Turns off display backlight after 30 seconds	
	2Min		Turns off display backlight after 2 minutes of	
	Always On		Display backlight always on	
Key Lock	On		Locks display (password: <UP>, <DOWN>, <UP>, <DOWN>, <ENTER>)	
	Off			
Ethernet Setting	IP Mode	Manual	Manually set IP address	
		DHCP	Network sets IP address	
		Static	Product sets IP address	

Main Menu	Programming Levels		Description
Ethernet Setting (cont.)	Universe	000–255 (Art-net™)	Sets the Art-Net™ or sACN universe
		001–256 (sACN)	
	Start Channel	001–512	Sets the starting channel
	IP Address	____.____.____.____	Sets each IP address digit from 000–255
Ethernet To DMX	<No >		Enables/disables Ethernet to DMX
	<Yes>		
Information	Fixture Hours	<_____H>	Shows total hours the product has been powered on
	LED Hours	<_____H>	Shows total hours the LEDs have been powered on
	Disp Ver	<V0.240422>	Shows current display firmware version
	Drv Ver	<V0.240422>	Shows current driver firmware version
	UID	21A40 ____	Shows product UID
Temperature	<LED1–2:	__ °C >	Shows LED temperatures 1 and 2 in °C
	<DRV1–1–2:	__ °C >	Shows driver temperatures 1 and 2 in °C
	<DISP-1:	__ °C >	Shows display temperature in °C
Upgrade Firmware	Only This Fixture	_____.CHL	Selects an update file for this product, or shows “No such file!”
		...	
	Multiple Fixture	_____.CHL	Selects an update file for this and connected STRIKE Array 2C products, or shows “No such file!”
		...	
Other Fixture Type	_____.CHL	Selects an update file for other connected products, or shows “No such file!”	
	...		
Fixture To Fixture	make sure no other signal, Network or DMX controller is being sent! and press enter key to start update		Downloads update file from another STRIKE Array 1 Driver via DMX.
Factory Reset	No		Resets the product to factory default settings
	Yes		



When operating in Fan Mode: Off and Fan Mode: Silent, the product will become hotter to the touch than when using other fan modes. Use proper protective equipment to prevent burns. Keep a safe distance from flammable objects.



The “Other Fixture Type” option under Upgrade Firmware can only be selected for connected products compatible with the Upload 03 (the first 2 digits of the item code must be 03).

Operation

Control Configuration

Use control configurations to operate the product with a DMX, Art-Net™, or sACN controller.

Control Mode

The STRIKE Array 2C works with DMX, Art-Net™, and sACN control signals. To select the protocol:

1. Go to the **Protocol** main level.
2. Select the desired protocol, from **DMX512**, **ArtNet**, or **sACN**.



See the [Ethernet Settings](#) section for further setup of ethernet protocols (Art-Net™ or sACN).

Control Personalities

To set the control personality:

1. Go to the **DMX Channel** main level.
2. Select the personality, from **1 Ch**, **3 Ch**, **5 Ch**, **7 Ch**, **10 Ch**, **12 Ch1**, **13 Ch**, **16 Ch**, **12 Ch2**, **25 Ch**, or **HSV**.



- See the [Starting Address](#) section for the highest selectable starting address for each personality.
- Make sure that the starting addresses on the various products do not overlap.

Starting Address

Each product will respond to a unique starting address from the controller. All products with the same starting address will respond in unison. To set the starting address in DMX mode:

1. Go to the **DMX Address** main level.
2. Select the starting address (**001–512**).

Personality	Highest Address	Products per Universe	Personality	Highest Address	Products per Universe
1 Ch	512	512	13 Ch	500	39
3 Ch	510	170	16 Ch	497	32
5 Ch	508	102	12 Ch2	501	42
7 Ch	506	73	25 Ch	488	20
10 Ch	503	51	HSV	510	170
12 Ch1	501	42			

Ethernet Settings

The Ethernet Settings control the universe, start address (Art-Net™ or sACN), IP address, and ethernet conversion functions of the product.

IP Mode

It is possible to set the IP address of the STRIKE Array 2C manually, by the network, or to a preset static address specific to each product. To set the IP mode, follow the instructions below:

1. Go to the **Ethernet Setting** main level.
2. Select the **IP Mode** option.
3. Select the desired IP mode, from **Manual** (set the IP address with the control panel), **DHCP** (the network sets the IP address), or **Static** (a preset address specific to each product).

Universe

To assign an Art-Net™ or sACN universe to the STRIKE Array 2C:

1. Go to the **Ethernet Setting** main level.
2. Select the **Universe** option.
3. Set the universe, from **000–255** (for Art-Net™) or from **001–256** (for sACN).

Start Channel

Each product will respond to a unique starting address from the controller. All products with the same starting address will respond in unison. To set the starting address in Art-Net™ or sACN mode:

1. Go to the **Ethernet Setting** main level.
2. Select the **Start Channel** option.
3. Select the starting address (**001–512**)



- See the [Starting Address](#) section for the highest selectable starting address for each personality.
- Make sure that the starting addresses on the various products do not overlap due to the new personality setting.

IP Address

To set the IP address:

1. Go to the **Ethernet Setting** main level.
2. Select the **IP Address** option.
3. Set the first value of the IP address from **000–255**.
4. Press **<ENTER>** to cycle through the 4 values of the IP address.
5. Set the other 3 values from **000–255**.
6. Press **<MENU>** to exit when the IP address is set as desired.

Ethernet to DMX

When Ethernet to DMX is active, the selected universe of the Art-Net™ or sACN signal will be converted to DMX and output through the 5-pin DMX out port.

1. Go to the **Ethernet Setting** main level.
2. Select the **Ethernet To DMX** option.
3. Select from **No** (do not convert) or **Yes** (convert).

Virtual Color Wheel

The STRIKE Array 2C includes a feature called the Virtual Color Wheel (VCW). This feature is available as a standalone control mode and as a control channel in select DMX personalities. More than 30 premixed colors, custom blended by Chauvet engineers, are available to call up for easier programming.

The DMX values used for these colors are provided below. The intensity of the output can be adjusted to more closely replicate industry-standard colors. A chart is available at www.chauvetprofessional.com to compare Chauvet's premixed colors with popular gel colors. This chart is for comparison purposes only and is not an assertion that Chauvet's premixed colors match any of the gel colors listed.

Virtual Color Wheel Chart

DMX Value	Display Readout	Red	Green	Blue	Amber	White
000 ⇔ 005	--	--	--	--	--	--
006 ⇔ 013	C3050–Md Yellow	255	225	000	255	037
014 ⇔ 021	C3040–Lt Yellow	255	177	003	255	037
022 ⇔ 028	C3240–Amb Yellow	255	220	000	255	000
029 ⇔ 035	C2340–VLt Amber	195	000	015	255	057
036 ⇔ 043	C2040–Lt Amber	255	000	011	255	061
044 ⇔ 051	C2050–Md Amber	255	053	000	255	017
052 ⇔ 059	C2060–Dk Amber	255	008	000	255	017
060 ⇔ 067	C1050–Lt Red	255	000	003	014	000
068 ⇔ 075	C1080–Md Red	255	000	002	000	000
076 ⇔ 083	C1020–NC Pink	255	075	062	255	073
084 ⇔ 091	C1030–Md Pink	255	075	057	255	041
092 ⇔ 099	C1630–Dk Pink	218	077	057	255	061
100 ⇔ 107	C1250–Md Red Amber	255	000	009	168	000
108 ⇔ 115	C1060–Dk Red Amber	255	005	009	036	000
116 ⇔ 121	C1650–Magenta	255	003	062	255	012
122 ⇔ 130	C6170–Dk Magenta	255	000	055	000	000
131 ⇔ 138	C6020–Lt Lavender	255	220	093	255	044
139 ⇔ 146	C5030–Lt Blue	000	255	159	112	078
147 ⇔ 154	C5020–VLt Blue	000	215	145	196	065
155 ⇔ 162	C5430–Lt Blue2	000	215	132	52	092
163 ⇔ 170	C5070–Blue	000	195	188	000	019
171 ⇔ 178	C5050–Md Blue	000	163	190	000	068
179 ⇔ 186	C5060–Dk Blue	000	128	193	000	038
187 ⇔ 194	C5690–Indigo	053	009	255	000	000
195 ⇔ 202	C5080–VDk Blue	007	084	116	000	000
203 ⇔ 210	C5081–VDk Blue2	011	082	139	000	000
211 ⇔ 218	C4370–Yel Green	000	255	002	025	000
219 ⇔ 226	C4070–Green	000	255	009	000	175
227 ⇔ 234	C4550–Turquoise	000	255	087	096	255
235 ⇔ 242	C4560–Aqua	000	255	098	044	255
243 ⇔ 250	C4570–Blue Green	000	255	026	008	000
251 ⇔ 255	--	--	--	--	--	--



The colors above are simulated renditions of the color output produced compared with other similar incandescent products. Chauvet makes no guarantee of the color output accuracy.

Color Temperature Chart

DMX Value	Color Temperature	Red	Green	Blue	Amber	White
000 ⇔ 005	No function					
006 ⇔ 025	2800K	253	000	025	255	145
026 ⇔ 050	3000K	251	005	033	255	161
051 ⇔ 075	3200K	245	009	045	255	173
076 ⇔ 100	3500K	230	030	058	255	185
101 ⇔ 125	4000K	210	058	084	255	203
126 ⇔ 150	4500K	174	078	107	255	204
151 ⇔ 175	5000K	163	103	137	255	206
176 ⇔ 200	5600K	162	127	172	255	229
201 ⇔ 225	6000K	158	134	192	241	231
226 ⇔ 250	6500K	152	152	206	225	231
251 ⇔ 255	No function					



The color temperatures above are simulated renditions of the color output produced compared with a tungsten lamp at the specified color temperature. Chauvet makes no guarantee of the color output accuracy.

DMX Channel Assignments and Values

Control Chart

Value	Percent/Setting	Value	Percent/Setting
000 ⇔ 007	No function	088 ⇔ 095	Dimmer mode 3 (slow)
008 ⇔ 015	Reset dimmer	096 ⇔ 103	Fan mode auto
016 ⇔ 023	Red shift on	104 ⇔ 111	Fan mode on
024 ⇔ 031	Red shift off	112 ⇔ 119	Fan mode off
032 ⇔ 039	S-curve dimmer	120 ⇔ 127	Fan mode silent
040 ⇔ 047	Linear dimmer	128 ⇔ 135	X-Fade speed off
048 ⇔ 055	Square dimmer	136 ⇔ 143	X-Fade speed 1
056 ⇔ 063	Inverse square dimmer	144 ⇔ 151	X-Fade speed 2
064 ⇔ 071	Dimmer mode off	152 ⇔ 159	X-Fade speed 3
072 ⇔ 079	Dimmer mode 1 (fast)	160 ⇔ 167	X-Fade speed 4
080 ⇔ 087	Dimmer mode 2	168 ⇔ 255	Reserved for future use

25 Ch / 12 Ch2

12-2	25	Function	Value	Percent/Setting
1	–	Dimmer	000 ⇔ 255	0–100%
–	1	Dimmer 1	000 ⇔ 255	0–100%
–	2	Fine dimmer 1	000 ⇔ 255	0–100%
2	3	Red 1	000 ⇔ 255	0–100%
–	4	Fine red 1	000 ⇔ 255	0–100%
3	5	Green 1	000 ⇔ 255	0–100%
–	6	Fine green 1	000 ⇔ 255	0–100%
4	7	Blue 1	000 ⇔ 255	0–100%
–	8	Fine blue 1	000 ⇔ 255	0–100%
5	9	Amber 1	000 ⇔ 255	0–100%
–	10	Fine amber 1	000 ⇔ 255	0–100%
6	11	White 1	000 ⇔ 255	0–100%
–	12	Fine white 1	000 ⇔ 255	0–100%

Operation

12-2	25	Function	Value	Percent/Setting
-	13	Dimmer 2	000 ⇔ 255	0–100%
-	14	Fine dimmer 2	000 ⇔ 255	0–100%
7	15	Red 2	000 ⇔ 255	0–100%
-	16	Fine red 2	000 ⇔ 255	0–100%
8	17	Green 2	000 ⇔ 255	0–100%
-	18	Fine green 2	000 ⇔ 255	0–100%
9	19	Blue 2	000 ⇔ 255	0–100%
-	20	Fine blue 2	000 ⇔ 255	0–100%
10	21	Amber 2	000 ⇔ 255	0–100%
-	22	Fine amber 2	000 ⇔ 255	0–100%
11	23	White 2	000 ⇔ 255	0–100%
-	24	Fine white 2	000 ⇔ 255	0–100%
12	25	Control	000 ⇔ 255	See the Control Chart

16 Ch / 13 Ch / 12 Ch / 10 Ch / 7 Ch / 5 Ch / 3 Ch

3	5	7	10	12-1	13	16	Function	Value	Percent/Setting
1	1	1	1	1	1	1	Dimmer	000 ⇔ 255	0–100%
-	-	-	2	-	2	2	Fine dimmer	000 ⇔ 255	0–100%
-	2	2	3	2	3	3	Red	000 ⇔ 255	0–100%
-	-	-	-	-	4	4	Fine red	000 ⇔ 255	0–100%
-	3	3	4	3	5	5	Green	000 ⇔ 255	0–100%
-	-	-	-	-	6	6	Fine green	000 ⇔ 255	0–100%
-	4	4	5	4	7	7	Blue	000 ⇔ 255	0–100%
-	-	-	-	-	8	8	Fine blue	000 ⇔ 255	0–100%
-	5	5	6	5	9	9	Amber	000 ⇔ 255	0–100%
-	-	-	-	-	10	10	Fine amber	000 ⇔ 255	0–100%
-	-	6	7	6	11	11	White	000 ⇔ 255	0–100%
-	-	-	-	-	12	12	Fine white	000 ⇔ 255	0–100%
-	-	7	8	7	13	13	Strobe	000 ⇔ 010 011 ⇔ 255	No function Strobe, slow to fast
2	-	-	9	8	-	14	Virtual Color Wheel	000 ⇔ 255	See the Virtual Color Wheel Chart
3	-	-	10	9	-	15	Color temperature	000 ⇔ 255	See the Color Temperature Chart
-	-	-	-	10	-	-	Automatic program	000 ⇔ 010 011 ⇔ 040 041 ⇔ 080 081 ⇔ 120 121 ⇔ 160 161 ⇔ 200 201 ⇔ 255	No function Automatic program 1 Automatic program 2 Automatic program 3 Automatic program 4 Automatic program 5 Automatic program 6
-	-	-	-	11	-	-	Program speed	000 ⇔ 255	Slow to fast
-	-	-	-	12	-	16	Control	000 ⇔ 255	See the Control Chart

HSV

Channel	Function	Value	Percent/Setting
1	Hue	000 ⇔ 255	0–100%
2	Saturation	000 ⇔ 255	0–100%
3	Value	000 ⇔ 255	0–100%

1Ch

Channel	Function	Value	Percent/Setting
1	Dimmer	000 ↔ 255	0–100% (color set through display menu)

Standalone Configuration

Static Mode

The static mode options under **Virtual Color Wheel** also include preset color temperatures, a manual color mixer, and cross-fade speed.

Virtual Color Wheel

To select from the Virtual Color Wheel:

1. Go to the **Virtual Color Wheel** main level.
2. Select the **Virtual Color Wheel** option.
3. Select the desired virtual gel color (see the [Virtual Color Wheel Chart](#)).
4. Set the **Dimmer** value (**000–255**).

Color Temperature

To select a preset color temperature:

1. Go to the **Virtual Color Wheel** main level.
2. Select the **Color Temperature** option.
3. Select the desired color temperature (see the [Color Temperature Chart](#)).
4. Set the **Dimmer** value (**000–255**).

Manual Color Mixer

To manually mix a custom static color:

1. Go to the **Virtual Color Wheel** main level.
2. Select the **Manual** option.
3. Select the color to edit (**Red, Green, Blue, Amber, or White**).
4. Set the value for the selected color (**000–255**).
5. Repeat steps 3 and 4 until product outputs as desired.

Color X-Fade Speed

The Color X-Fade Speed option creates a fade transition between colors when using colors in the Virtual Color Wheel or the Color Temperature chart.

1. Go to the **Virtual Color Wheel** main level.
2. Select **Color X-Fade Speed**.
3. Select **Off** (to turn off the fade transition between colors) or **X-Fade Speed 1–4** (from fast to slow).

Auto Show

To select an automatic program:

1. Go to the **Auto Show** main level.
2. Select the desired auto program (**Auto 1–6**).
3. Set the **Speed** value (**001–100**).

Settings Configuration

Red Shift

With red shift enabled, the color temperature will warm as the dimmer decreases in imitation of a lamp. To enable or disable the red shift function:

1. Go to the **Red Shift** main level.
2. Select from **On** or **Off**.

Master/Slave

To set the STRIKE Array 2C product to master or slave mode:

1. Go to the **Master/Slave** main level.
2. Select from **Master** (sends control signal) or **Slave** (receives control signal).



- **Configure all the slave products before connecting the master to the daisy chain.**
- **Never connect a DMX controller to a DMX string configured for Master/Slave operation because the controller may interfere with the signals from the master.**
- **Do not connect more than 31 slaves to the master.**

Operation

Dimmer Curve

To set the dimmer curve:

1. Go to the **Red Shift** main level.
2. Select from **S-Curve**, **Linear**, **Square**, or **Inverse Square**.

Dimmer Speed Mode

To set the dimmer speed:

1. Go to the **Dimmer Mode** main level.
2. Select the dimmer speed mode from **Off** (instant), **Dimmer 1** (fastest), **Dimmer 2**, or **Dimmer 3** (slowest).

Color Calibration

To configure the color calibration:

1. Go to the **Color Calibration** main level.
2. Select from **Off**, **User Calibration**, or **Factory Calibration**.
3. If **User Calibration**, select the maximum color value to edit, from **Red**, **Green**, **Blue**, **Amber**, or **White**.
4. Set the maximum level for the selected color, from **125–255**.
5. Repeat until the colors are calibrated as desired.

Pulse Width Modulation

To set the frequency of the pulse width modulation:

1. Go to the **LED Frequency** main level.
2. Select the PWM frequency, from **600Hz**, **1200Hz**, **2000Hz**, **4000Hz**, **6000Hz**, or **25KHz**.

Display Invert

To invert the display:

1. Go to the **Display Invert** main level.
2. Select from **No** (does not invert the display) or **Yes** (inverts the display).

Fan Mode

To set the fan mode:

1. Go to the **Fan Mode** main level.
2. Select the fan mode, from **Auto** (adjusts to product temperature), **On** (always on), **Off** (always off), or **Silent** (silent mode).

Display Backlight

To set how long the display will stay lit without activity:

1. Go to the **Back Light** main level.
2. Select from **10S** (10 seconds), **30S** (30 seconds), **2Min** (2 minutes), or **Always On**.

Key Lock

To lock or unlock the control panel:

1. Go to the **Key Lock** main level.
2. Select **On** (locks control panel) or **Off** (control panel stays unlocked).



When the key lock is activated, the product will prompt for the passcode in order to access the menu. The passcode is <UP>, <DOWN>, <UP>, <DOWN>, <ENTER>.

Information

To view product information, such as the number of hours the product has been on, the driver firmware, etc., go to the **Information** main level.

Temperature

To view the temperatures of the LEDs, driver boards, or the display board in °C, go to the **Temperature** main level.

Factory Reset

To reset the product to factory default settings:

1. Go to the **Factory Reset** main level.
2. Select **No** (do not reset) or **Yes** (reset).

Web Server

The STRIKE Array 2C Web Server can be accessed by any computer on the same network as the product. It allows network access to system information, settings such as control protocol and starting address, color output testing, and the ability to change the Web Server password.

1. Connect the product to a Windows computer with a network cable.
2. On the computer, set the IP address of the new network to have the same first 3 digits as the IP address of the product (See [IP Address](#)).
3. Enter the IP address of the product into the URL bar of a web browser on the computer.
4. Enter both the User Name and Password as **admin** to log in.

Home

The Web Server Home page displays the details of all available control personalities and the technical specifications for the STRIKE Array 2C.

Settings

The Web Server Settings page provides options for control. From the drop-down menus, the Protocol, Universe, Start Address, IP Address, Ethernet to DMX, Personality, Dimmer Curve, Dimmer Mode, and PWM Frequency can all be edited. Click **Save Settings** to send the new configuration to the product.

Output

On the Web Server Output page, an output test of the product's LEDs can be performed, by either editing the values of each LED manually (by typing the number or moving the fader), or by selecting a sample color. The page will show the current output color on the bottom left.

Security

The Web Server Security page gives the option to change the password to the connected product's web server. Enter the old password (**admin**, by default) and the new password twice, then click **Save Settings** to change the password.

5. Maintenance

Product Maintenance

Dust build-up reduces light output performance and can cause overheating. This can lead to reduction of the light source's life and/or mechanical wear. To maintain optimum performance and minimize wear, clean each lighting product at least twice a month. However, be aware that usage and environmental conditions could be contributing factors to increase the cleaning frequency.

To clean the product, follow the instructions below:

1. Unplug the product from power.
2. Wait until the product is at room temperature.
3. Use a vacuum (or dry compressed air) and a soft brush to remove dust collected on the external surface/vents.
4. Clean all transparent surfaces with a mild soap solution, ammonia-free glass cleaner, or isopropyl alcohol.
5. Apply the solution directly to a soft, lint free cotton cloth or a lens cleaning tissue.
6. Softly drag any dirt or grime to the outside of the transparent surface.
7. Gently polish the transparent surfaces until they are free of haze and lint.



Always dry the transparent surfaces carefully after cleaning them.



Do not spin the cooling fans with compressed air. Damage may result.

Torque Measurements

To maintain the IP rating when reassembling the product, use the given torque measurements for each of the following screws and bolts:

Fixture Parts	Torque Rating (Kgf.cm)	Torque Rating (lbf.in)
Power connectors	8	6.94368
All covers, plates, and DMX/Ethernet/USB connectors	6	5.20776

Vacuum Test Measurements

Use the IP Tester from Chauvet Professional to ensure the product has been reassembled correctly by following the information below:

Parameters	Values
Method	Positive
Test pressure	40 kPa
Test duration	30 seconds
PASS state leak pressure	<0.5 kPa

6. Technical Specifications

Dimensions and Weight

Length	Width	Height	Weight
19.13 in (486 mm)	7.45 in (189.3 mm)	10.37 in (263.5 mm)	20.6 lb (9.4 kg)

Note: Dimensions in inches are rounded.

Power

Power Supply Type	Range	Voltage Selection
Switching (internal)	100 to 240 VAC, 50/60 Hz	Auto-ranging

Parameter	100 V, 60 Hz	120 V, 60 Hz	208 V, 60 Hz	230 V, 50 Hz	240 V, 50 Hz
Consumption	610 W	600 W	583 W	581 W	575 W
Operating Current	6.000 A	5.000 A	2.780 A	2.491 A	2.375 A
Power linking current (products)	12 A (2 products)	12 A (2 products)	12 A (4 products)	12 A (4 products)	12 A (5 products)

Power I/O	U.S./Worldwide	UK/Europe
Power Input Connectors	Seetronic Powerkon IP65	Seetronic Powerkon IP65
Power Output Connector	Seetronic Powerkon IP65	Seetronic Powerkon IP65
Power Cable plug	Edison	Local plug

Light Source

Type	Color	Quantity	Power	Current	Lifespan
LED	Quad-color RGBA	56	2.7–4.32 W	871 mA	50,000 hours
LED	Warm white	78			

Photometrics

Color Temp. Range	Color Temp. at Full	Beam angle	Field angle	Illuminance @ 5 m
2800 to 6500 K	6528 K	59.1°	102.1°	979 lux

Thermal

Maximum External Temperature	Cooling System
113 °F (45 °C)	Fan-assisted Convection

Control

DMX I/O Connector	Art-Net™ / sACN I/O Connector	Channel Range
5-pin XLR	Seetronic Etherkon	1, 3, 5, 7, 10, 12, 13, 16, 25 or HSV

Ordering

Product Name	Item Name	Item Code	UPC Number
STRIKE Array 2C	STRIKEARRAY4C	03052066	781462224141



Contact Us

General Information	Technical Support
Chauvet World Headquarters	
Address: 3360 Davie Rd., Suite 509 Davie, FL 33314 Voice: (954) 577-4455 Fax: (954) 929-5560 Toll Free: (800) 762-1084	Voice: (844) 393-7575 Fax: (954) 756-8015 Email: chauvetcs@chauvetlighting.com Website: www.chauvetprofessional.com
Chauvet U.K.	
Address: Pod 1 EVO Park Little Oak Drive, Sherwood Park Nottinghamshire, NG15 0EB UK Voice: +44 (0) 1773 511115 Fax: +44 (0) 1773 511110	Email: UKtech@chauvetlighting.eu Website: www.chauvetprofessional.eu
Chauvet Benelux	
Address: Stokstraat 18 9770 Kruishoutem Belgium Voice: +32 9 388 93 97	Email: BNLtech@chauvetlighting.eu Website: www.chauvetprofessional.eu
Chauvet France	
Address: 3, Rue Ampère 91380 Chilly-Mazarin France Voice: +33 1 78 85 33 59	Email: FRtech@chauvetlighting.fr Website: www.chauvetprofessional.eu
Chauvet Germany	
Address: Bruno-Bürgel-Str. 11 28759 Bremen Germany Voice: +49 421 62 60 20	Email: DEtech@chauvetlighting.de Website: www.chauvetprofessional.eu
Chauvet Mexico	
Address: Av. de las Partidas 34 - 3B (Entrance by Calle 2) Zona Industrial Lerma Lerma, Edo. de México, CP 52000 Voice: +52 (728) 690-2010	Email: servicio@chauvet.com.mx Website: www.chauvetprofessional.mx

Warranty & Returns

For warranty terms and conditions and return information, please visit our website.

For customers in the United States and Mexico: www.chauvetlighting.com/warranty-registration.

For customers in the United Kingdom, Republic of Ireland, Belgium, the Netherlands, Luxembourg, France, and Germany: www.chauvetlighting.eu/warranty-registration.