

# OVATION

## E-2 FC

### User Manual



Model ID: OVATIONE2FC

## Edition Notes

The Ovation E-2 FC User Manual includes a description, safety precautions, installation, programming, operation, and maintenance instructions for the Ovation E-2 FC as of the release date of this edition.

## Trademarks

Chauvet, Chauvet Professional, the Chauvet logo, and Ovation are registered trademarks or trademarks of Chauvet & Sons, LLC (d/b/a Chauvet and Chauvet Lighting) in the United States and other countries. Other company and product names and logos referred to herein may be trademarks of their respective companies.

## Copyright Notice

The works of authorship contained in this manual, including, but not limited to, all designs, text, and images are owned by Chauvet.

© **Copyright 2024 Chauvet & Sons, LLC. All rights reserved.**

Electronically published by Chauvet in the United States of America.

## Manual Use

Chauvet authorizes its customers to download and print this manual for professional information purposes only. Chauvet expressly prohibits the usage, copy, storage, distribution, modification, or printing of this manual or its content for any other purpose without written consent from Chauvet.

## Document Printing

For best results, print this document in color, on letter size paper (8.5 x 11 in), double-sided. If using A4 paper (210 x 297 mm), configure the printer to scale the content accordingly.

## Intended Audience

Any person installing, operating, and/or maintaining this product should completely read through the guide that shipped with the product, as well as this manual, before installing, operating, or maintaining this product.

## Disclaimer

Chauvet believes that the information contained in this manual is accurate in all respects. However, Chauvet assumes no responsibility and specifically disclaims any and all liability to any party for any loss, damage or disruption caused by any errors or omissions in this document, whether such errors or omissions result from negligence, accident or any other cause. Chauvet reserves the right to revise the content of this document without any obligation to notify any person or company of such revision, however, Chauvet has no obligation to make, and does not commit to make, any such revisions.

## Document Revision

Go to [www.chauvetprofessional.com](http://www.chauvetprofessional.com) for the latest version.

Revision	Date	Description
4	4/2024	Updated Optional Accessories verbiage.

**TABLE OF CONTENTS**

<b>1. Before You Begin .....</b>	<b>1</b>
What Is Included .....	1
Claims .....	1
Text Conventions .....	1
Symbols .....	1
Safety Notes.....	2
FCC Statement of Compliance .....	3
Expected LED Lifespan.....	3
<b>2. Introduction .....</b>	<b>4</b>
Description .....	4
Features .....	4
Product Overview .....	4
Product Dimensions .....	5
<b>3. Setup .....</b>	<b>6</b>
AC Power .....	6
AC Plug .....	6
Fuse Replacement .....	6
Power Linking.....	6
DMX Linking.....	7
DMX Personalities.....	7
Remote Device Management.....	7
Master/Slave Connectivity.....	7
USB Software Update .....	8
Force Upload.....	8
Mounting .....	9
Orientation.....	9
Rigging .....	9
Procedure.....	9
Adjustable Yoke .....	9
Accessory Slot .....	10
Soft Focus Filter .....	11
Manual Zoom Control.....	11
Gobo Dimensions.....	11
<b>4. Operation .....</b>	<b>12</b>
Control Panel Description .....	12
Menu Map .....	12
DMX Configuration.....	15
Control Personalities .....	15
Starting Address.....	15
Virtual Color Wheel .....	16
Virtual Color Wheel Chart .....	16
Color Temperature Chart .....	17
DMX Channel Assignments and Values .....	19
17 Ch / 13 Ch2 / 13 Ch1 / 11 Ch / 7 Ch / 5 Ch / 4 Ch / 1 Ch .....	19
HSV.....	20

Standalone Configuration.....	20
Static Mode .....	20
Virtual Color Wheel.....	20
Color Temperature.....	20
Manual Color Mixer.....	20
Auto Show.....	20
Settings Configuration.....	21
Red Shift .....	21
Master/Slave .....	21
Dimmer Curve.....	21
Dimmer Profile .....	21
Color Calibration .....	21
Pulse Width Modulation .....	21
Fan Mode .....	22
Display Backlight Timer.....	22
Information .....	22
Factory Reset.....	22
<b>5. Maintenance.....</b>	<b>23</b>
Product Maintenance .....	23
<b>6. Technical Specifications .....</b>	<b>24</b>
<b>Contact Us .....</b>	<b>25</b>
Warranty & Returns.....	25

## Before You Begin

# 1. Before You Begin

## What Is Included

- Ovation E-2 FC
- Seetronic Powerkon power cable
- Ovation metal gobo holder (“M” size)
- Soft focus filter
- Gel frame
- Quick Reference Guide

## Claims

Carefully unpack the product immediately and check the container to make sure all the parts are in the package and are in good condition.




If the box or the contents (the product and included accessories) appear damaged from shipping, or show signs of mishandling, notify the carrier immediately, not Chauvet. Failure to report damage to the carrier immediately may invalidate a claim. In addition, keep the box and contents for inspection.

For other issues, such as missing components or parts, damage not related to shipping, or concealed damage, file a claim with Chauvet within 7 days of delivery.

## Text Conventions

Convention	Meaning
<b>1–512</b>	A range of values
<b>50/60</b>	A set of values of which only one can be chosen
<b>Settings</b>	A menu option not to be modified
<b>&lt;ENTER&gt;</b>	A key to be pressed on the product’s control panel

## Symbols

Symbol	Meaning
	Critical installation, configuration, or operation information. Not following these instructions may make the product not work, cause damage to the product, or cause harm to the operator.
	Important installation or configuration information. The product may not function correctly if this information is not used.
	Useful information.



The term “DMX” used throughout this manual refers to the USITT DMX512-A digital data transmission protocol.

## Safety Notes

Read all the following safety notes before working with this product. These notes contain important information about the installation, usage, and maintenance of this product.



**This product contains no user-serviceable parts. Any reference to servicing in this User Manual will only apply to properly trained, certified technicians. Do not open the housing or attempt any repairs.**



**All applicable local codes and regulations apply to proper installation of this product.**

- The luminaire should be positioned so that prolonged staring into the luminaire at a distance closer than 18.4 ft (5.6 m) is not expected.
- If the external flexible cable or cord of this luminaire is damaged, it shall be replaced by a special cord or cord exclusively available from the manufacturer or its service agent.
- The light source contained in this luminaire shall only be replaced by the manufacturer or its service agent or a similar qualified person.
- The luminaire is intended for professional use only.
- **CAUTION:**
  - This product's housing may be hot when operating. Mount this product in a location with adequate ventilation, at least 20 in (50 cm) from adjacent surfaces.
  - When transferring the product from extreme temperature environments, (e.g., cold truck to warm humid ballroom) condensation may form on the internal electronics of the product. To avoid causing a failure, allow the product to fully acclimate to the surrounding environment before connecting it to power.
  - Flashing light is known to trigger epileptic seizures. User must comply with local laws regarding notification of strobe use.
- **ALWAYS:**
  - Disconnect from power before cleaning the product or replacing the fuse.
  - Replace the fuse with the same type and rating.
  - Use a safety cable when mounting this product overhead.
  - Connect this product to a grounded and protected circuit.
- **DO NOT:**
  - Open this product. It contains no user-serviceable parts.
  - Look at the light source when the product is on.
  - Leave any flammable material within 50 cm of this product while operating or connected to power.
  - Connect this product to a dimmer or rheostat.
  - Operate this product if the housing, lenses, or cables appear damaged.
  - Operate this product outdoors or in any location where dust, excessive heat, water, or humidity may affect it. (IP20)
- **ONLY** use the hanging/mounting bracket to carry this product.
- The maximum ambient temperature is 113 °F (45 °C). Do not operate this product at higher temperatures.
- The minimum startup temperature is -4°F (-20°C). Do not start the product at lower temperatures.
- The minimum ambient temperature is -22°F (-30°C). Do not operate the product at lower temperatures.
- To eliminate unnecessary wear and improve its lifespan, during periods of non-use completely disconnect the product from power via breaker or by unplugging it.
- In the event of a serious operating problem, stop using immediately.



**If a Chauvet product requires service, contact Chauvet Technical Support.**

## Before You Begin

---

### FCC Statement of Compliance

This device complies with Part 15 Part B of the FCC rules. Operation is subject to the following two conditions:

1. This device may not cause harmful interference, and
2. This device must accept any interference received, including interference that may cause undesired operation.

This equipment has been tested and found to comply with the limits for a Class B digital device, pursuant to Part 15 of the FCC Rules. These limits are designed to provide reasonable protection against harmful interference in a residential installation. This equipment generates uses and can radiate radio frequency energy and, if not installed and used in accordance with the instructions, may cause harmful interference to radio communications. However, there is no guarantee that interference will not occur in a particular installation. If this equipment does cause harmful interference to radio or television reception, which can be determined by turning the equipment off and on, the user is encouraged to try to correct the interference by one or more of the following measures:

- Reorient or relocate the receiving antenna.
- Increase the separation between the equipment and receiver.
- Connect the equipment into an outlet on a circuit different from that to which the receiver is connected.
- Consult the dealer or an experienced radio/TV technician for help.

Any changes or modifications not expressly approved by the party responsible for compliance could void the user's authority to operate the equipment.

### Expected LED Lifespan

Over time, use and heat will gradually reduce LED brightness. Clustered LEDs produce more heat than single LEDs, contributing to shorter lifespans if always used at full intensity. The average LED lifespan is 40,000 to 50,000 hours. To extend LED lifespan, maintain proper ventilation around the product, and limit the overall intensity.

## 2. Introduction

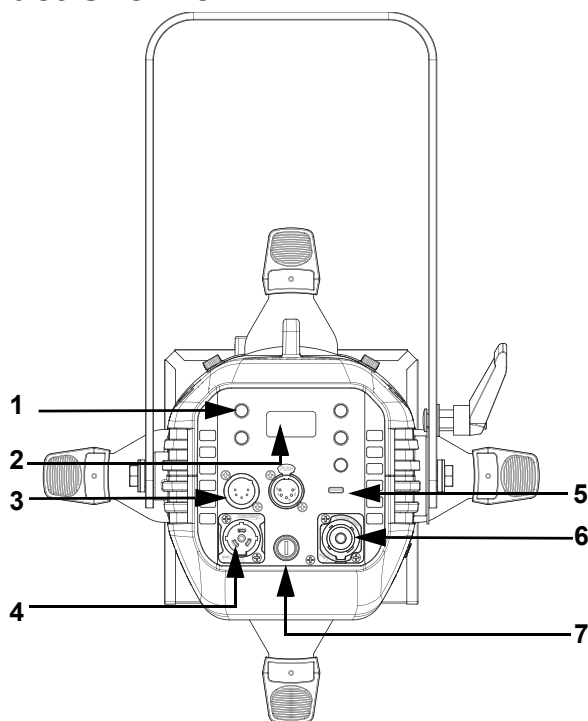
### Description

The Ovation E-2 FC is a compact LED ellipsoidal spotlight that delivers high quality of light and convenient features in a quiet durable design optimized for smaller venues. Its advanced full spectrum Ovation RGBA-Lime color mixing system produces exceptionally high CRI output that can be smoothly sized with an integrated manual Zoom and focusing made easier with a dedicated Focus Mode button.

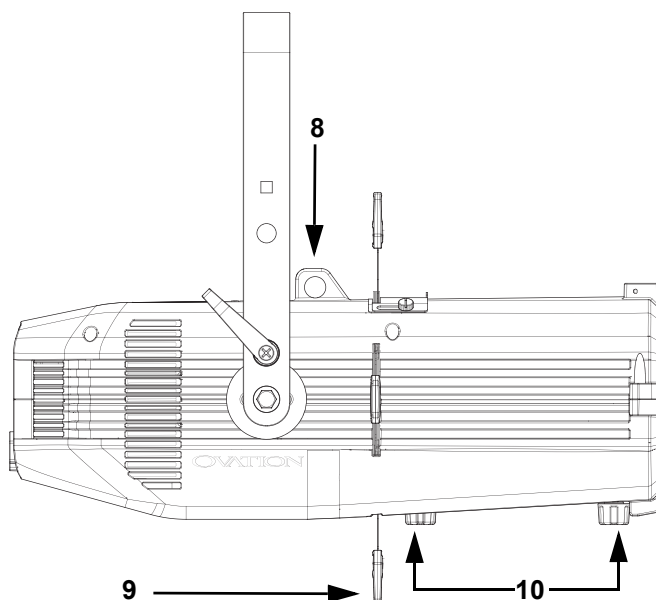
### Features

- Full-spectrum LED ERS-style lighting fixture for small theaters and studios
- Integrated 25-50deg Zoom lens.
- Color temperature presets from 2800 K to 8000 K with high CRI and CQS
- +/- Green adjustment and emulated red-shift via DMX or on-board control
- Dedicated focus mode button for one-touch activation for focusing without a board-op.
- USB port for fixture software updates

### Product Overview

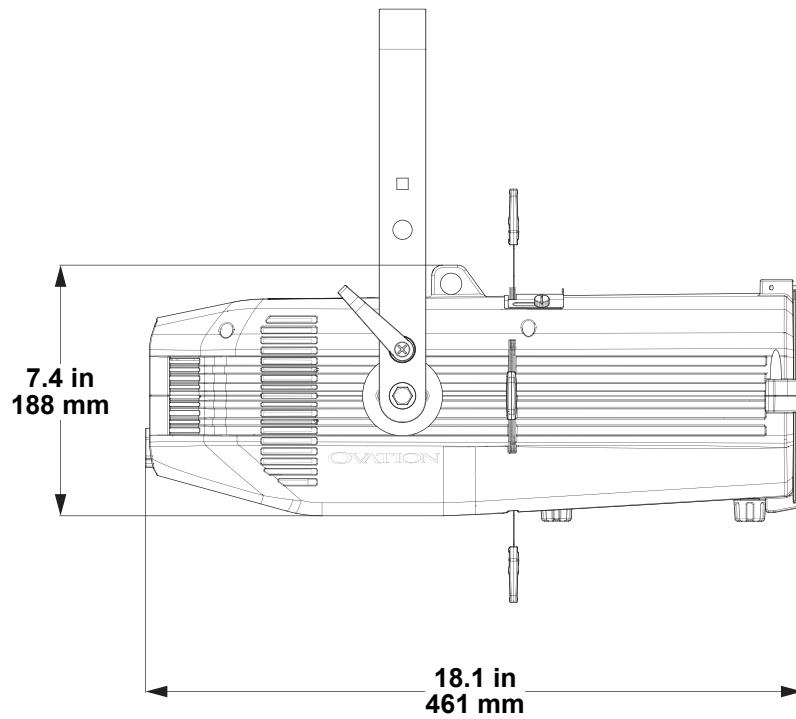
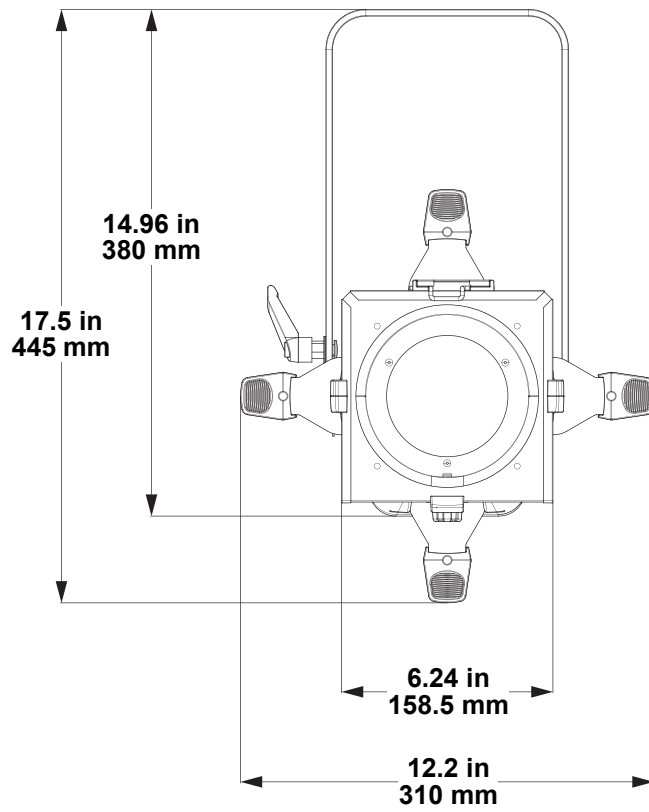


#	Name
1	Menu buttons
2	LCD display
3	DMX in/out
4	Power in
5	USBC port
6	Power out
7	Fuse holder
8	Safety loop
9	Framing shutters (x4)
10	Manual zoom and focus knobs





Product Dimensions



### 3. Setup

#### AC Power

The Ovation E-2 FC has an auto-ranging power supply, and it can work with an input voltage range of 100 to 240 VAC, 50/60 Hz.

To determine the product's power requirements (circuit breaker, power outlet, and wiring), use the current value listed on the label affixed to the product's back panel, or refer to the product's specifications chart. The listed current rating indicates the product's average current draw under normal conditions.



- **Always connect the product to a protected circuit (a circuit breaker or fuse). Ensure the product has an appropriate electrical ground to avoid the risk of electrocution or fire.**
- **To eliminate unnecessary wear and improve its lifespan, during periods of non-use completely disconnect the product from power via breaker or by unplugging it.**



**Never connect the product to a rheostat (variable resistor) or dimmer circuit, even if the rheostat or dimmer channel serves only as a 0 to 100% switch.**

#### AC Plug

The Ovation E-2 FC comes with a power input cable terminated with a Seetronic Powerkon A connector on one end and an Edison plug on the other end (U.S. market). If the power cable that came with the product has no plug, or if the plug needs to be changed, use the table below to wire a plug.

Connection	Wire (U.S.)	Wire (Europe)	Screw Color
AC Live	Black	Brown	Yellow or Brass
AC Neutral	White	Blue	Silver
AC Ground	Green/Yellow	Green/Yellow	Green

#### Fuse Replacement

1. Disconnect this product from the power outlet.
2. Using a flat-head screwdriver, unscrew the fuse holder cap from the housing.
3. Remove the blown fuse and replace with another fuse of the same type and rating (T 3.15 A, 250 V).
4. Screw the fuse holder cap back in place and reconnect power.

#### Power Linking

It is possible to power link Ovation E-2 FC products. See the table below for the current draw at each voltage and frequency:

	100 V, 60 Hz	120 V, 60 Hz	208 V, 60 Hz	230 V, 50 Hz	240 V, 60 Hz
<b>Current Draw</b>	1.88 A	1.71 A	1.10 A	0.98 A	0.95 A

Never exceed 12A on a single circuit. Power-linking cables can be purchased separately.

### DMX Linking

The Ovation E-2 FC can be linked to a DMX controller using a 5-pin DMX connection. If using other DMX-compatible products with this product, it's possible to control each individually with a single DMX controller.

### DMX Personalities

The Ovation E-2 FC uses a 5-pin DMX data connection for the **1 Ch**, **4 Ch**, **5 Ch**, **7 Ch**, **11 Ch**, **13 Ch1**, **13 Ch2**, **17 Ch**, and **HSV** DMX personalities.

- Refer to the [Introduction](#) for a brief description of each DMX personality.
- Refer to the [Operation](#) chapter to learn how to configure the Ovation E-2 FC to work in these personalities.
- The [DMX Channel Assignments and Values](#) section provides detailed information regarding the DMX personalities.



For information about DMX standards, Master/Slave connectivity, or the DMX cables needed to link this product to a DMX controller, download the DMX Primer from the Chauvet website: [www.chauvetprofessional.com](http://www.chauvetprofessional.com).

### Remote Device Management

Remote Device Management (RDM) is a standard for allowing DMX-enabled devices to communicate bi-directionally along existing DMX cabling. Check the DMX controller's User Manual or with the manufacturer as not all DMX controllers have this capability. The Ovation E-2 FC supports RDM protocol that allows feedback to make changes to menu map options.

### Master/Slave Connectivity

The Master/Slave mode allows an Ovation E-2 FC (the master) to control one or more Ovation E-2 FC products (the slaves) without a DMX controller. Once Ovation E-2 FC becomes the master when running an auto or custom program, or in Static mode.

Each slave's control panel must be configured to operate in Slave mode. During Master/Slave operation, the slaves will operate in unison with the master.



**DO NOT connect a DMX controller to products operating in Master/Slave mode. The DMX controller signals may interfere with the signals from the master.**



- The [Operation](#) section of this manual provides detailed instructions on how to configure the master and slaves.
- For more information about DMX standards or the DMX cables needed to link this product to a DMX controller, download the DMX primer from the Chauvet website: [www.chauvetprofessional.com](http://www.chauvetprofessional.com).

## USB Software Update

The Ovation E-2 FC allows for software updates with a USB device using the built-in USB port. To update the software using a USB flash drive, do the following:

1. Power on the product, and plug the flash drive into the USB port.
2. Once the flash drive has been detected, the message “**Upgrade Firmware**” will be displayed. Press <ENTER>. If a different message appears on the display, search for the updated software in the main menu (**Update Firmware**) and select from **Only This Unit**, **Multiple Fixture**, or **Other Fixture Type**. A list of the updated software files will be displayed.
3. Select the file that needs to be uploaded. The message “**Are you sure?**” will be displayed. Press <ENTER>.



**If the selected file is incorrect, the upgrade will fail, and the display will go back to the main interface. Repeat steps 1–3 using the correct file.**

4. If the selected file is correct, the upgrade will start. **DO NOT** turn off the power or disconnect the USB during the process. USB update can take several minutes to complete.
5. When the update is completed, the fixture will automatically reboot.
6. Go to Fixture Information on the product’s menu map and confirm the firmware revision.
7. When the boot-up process is finished, restart the product.



- Place the .chl file in the root directory of the USB drive.
- The product’s USB port supports up to 32GB capacity and only works with FAT32 file format.



**Turning off the power, removing the USB, or not setting the fixture to the correct protocol during the update can cause partial or total firmware failure in the targeted fixture(s). Please refer to [Force Upload](#) section to fix firmware failure issues.**

## Force Upload

A Force Upload is done whenever a software update fails due to accidental removal of the USB flash drive, incorrect control protocol, or loss of power during a regular software update process.



- A Force Upload process requires a target fixture (the fixture that needs a Force Upload) and a main fixture (the fixture that controls the upload process).
- The Force Upload process can only be done one target fixture at a time.

To do a Force Upload, follow the instructions below:

1. Link the target fixture to the main fixture via a DMX 5-pin connection. Ensure that the target fixture is turned off.
2. Turn on the main fixture and set its protocol to **DMX512**.
3. Plug the flash drive into the USB-C port of the main fixture.
4. Go to Upgrade Firmware on the menu map.
5. Choose between **Multiple Fixture** and **Other Fixture Type**. Press <ENTER>.
  - **Multiple Fixture:** Both the target fixture and main fixture are from the same product line (e.g., 2 Ovation E-2 FC fixtures).
  - **Other Fixture Type:** The target fixture and main fixture are from different product series (e.g., a Ovation E-2 FC as the target fixture and a Maverick Silens 2 Profile as the main fixture).
6. Select the file that needs to be uploaded. The message “**Are you sure?**” will appear on the screen. Press <ENTER>. Turn on the target fixture within 1–2 seconds of pressing <ENTER>. The display on the target fixture should remain off.
  - a. The main fixture will show the update progress (0–100%).
  - b. The target fixture’s display will turn on, and a notification “<UPDATE>” will appear on the screen.



**The timing of when the target fixture’s display will turn on varies from fixture to fixture.**

7. **DO NOT** turn off power or remove the USB flash drive. Once the software is done uploading, the target fixture will automatically reboot.
8. Go to the target fixture’s main menu and confirm that the firmware version has been updated.
9. Reboot the target fixture.

## Setup

### Mounting

Before mounting the product, read and follow the safety recommendations indicated in the [Safety Notes](#). For the Chauvet Professional line of mounting clamps, go to <http://trusst.com/products/>.

### Orientation

Always mount this product in a safe position, making sure there is adequate room for ventilation, configuration, and maintenance.

### Rigging

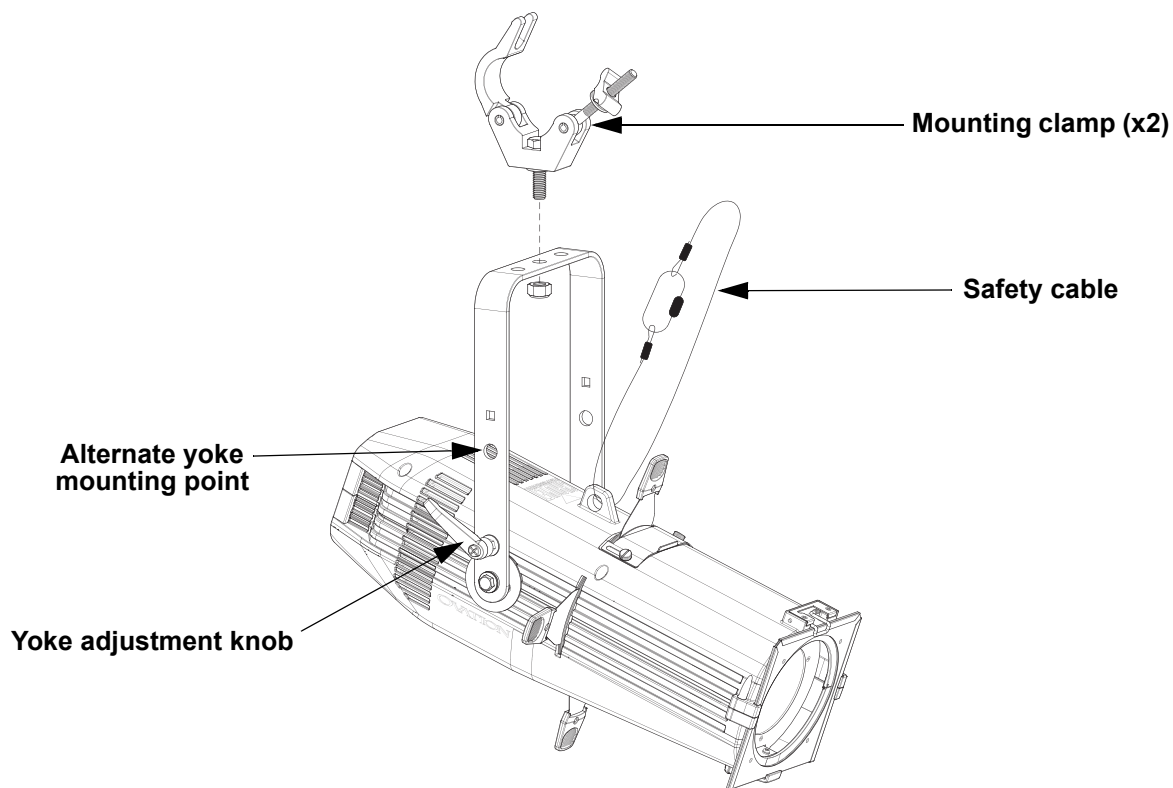
Chauvet recommends using the following general guidelines when mounting this product.

- Make sure there is easy access to the product for maintenance and programming purposes before deciding on a location for the product.
- Make sure that the structure and attachment points can support the weight before hanging the product (see the [Technical Specifications](#)).
- Always use a safety cable when mounting the product overhead. Mount the product securely to a rigging point, whether an elevated platform or a truss.
- Use a mounting clamp of appropriate weight capacity when rigging the product onto a truss.

### Procedure

The Ovation E-2 FC comes with an adjustable yoke to which a mounting clamp can be attached for hanging. Make sure the clamp is capable of supporting the weight of this product. For the Chauvet Professional line of mounting clamps, go to <http://www.trusst.com/products>.

### Mounting Diagram



### Adjustable Yoke

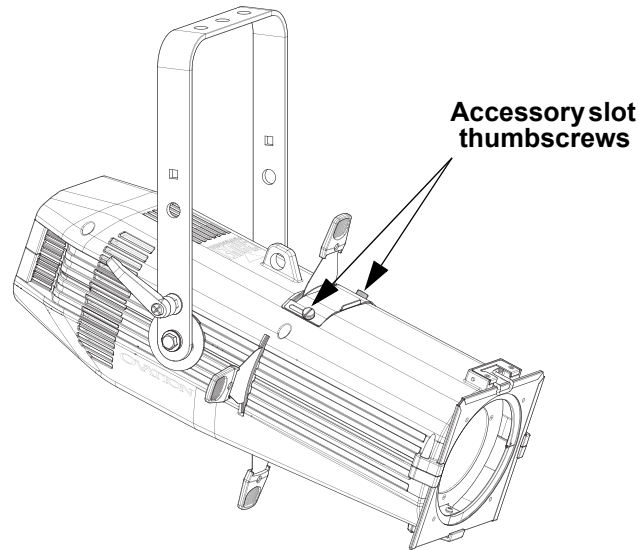
The Ovation E-2 FC comes with an adjustable yoke for mounting in low-clearance areas. To modify the height of the yoke, do the following:

1. Loosen the yoke adjustment knob.
2. On each side of the product remove the bolt attaching the plate to the yoke.
3. Adjust the position of the yoke to one of the two mounting points.
4. Put the bolts back in place, and tighten them and the yoke adjustment knobs.

## Accessory Slot

The Ovation E-2 FC has an accessory slot which holds the included “M” size metal gobo holder, the included soft focus filter, a drop-in iris (such as the Ovation E-2 Iris from Chauvet Professional, sold separately), or various other optional accessories (sold separately).

1. Loosen the thumbscrews on the slot cover. (**Note:** Do not remove the thumbscrews).
2. Slide the cover forward.
3. Insert an accessory. (**Note:** Make sure to insert the accessory correctly. i.e., the iris handle extends upward from the slot).
4. Slide the cover back. Make sure any handles or adjustment tools that stick out the top are able to function correctly.
5. Tighten the thumbscrews to secure the cover.



- **When not using the accessory slot, replace and secure the slot cover to prevent light leakage during operation.**
- **When obtaining any optional accessories, be sure the items are compatible with the Ovation E-2 FC.**

## Setup

### Soft Focus Filter

The Ovation E-2 FC comes with a soft focus filter. To keep the soft focus filter in good condition:

- Ensure that no fingerprints are left on the filter, as this may cause the filter to heat unevenly and eventually warp.
- When placing the filter in the holder, follow the orientation direction printed on the filter.
- When inserting shutter blades into the light path, note that the heat is reflected back at the filter. The deeper the blades are inserted, and the longer the fixture runs, the more heat gets reflected on to the filter, causing it to warp and potentially adhere to the shutter blades.



**If there is a protective film on the soft-focus filter, it must be removed before use. The filter is in a holder in the metal gobo slot.**



**The lifespan and effectiveness of the Soft Focus Filter accessory included with this product will be negatively impacted by excessive reflected heat caused by the extended use of gobos, shutters, irises, and other beam shaping accessories. The filter is not covered by the limited warranty. Replacements are available for purchase.**

### Manual Zoom Control

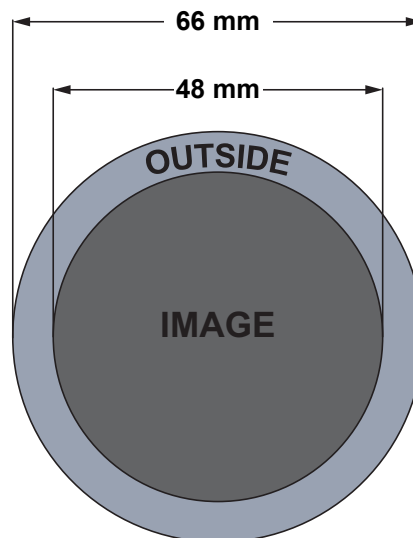
The Ovation E-2 FC has a manual zoom and focus, which is adjusted as follows:

1. Locate the zoom and focus knobs at the bottom of the product.
2. Loosen the knobs by turning them counterclockwise.
3. Slide the lenses forward or backward until the desired zoom and focus/beam edge is achieved.
4. Tighten the knobs by turning them clockwise, which locks the lenses in position.



**To avoid changing menu settings while focusing the Ovation E-2 FC, press and hold the <FOCUS MODE> button for 3 seconds. This will put the product in Focus Mode, by increasing the intensity to 100%. To exit out of Focus Mode, press <MENU>.**

### Gobo Dimensions



## 4. Operation

### Control Panel Description

Button	Function
<MENU>	Exits from the current menu or function
<ENTER>	Enables the currently displayed menu or sets the selected value into the function
<UP>	Navigates upwards through the menu list or increases the value when in a function
<DOWN>	Navigates downwards through the menu list or decreases the value when in a function
<FOCUS MODE>	Activates focus mode

### Menu Map

Refer to the Ovation E-2 FC product page on [www.chauvetprofessional.com](http://www.chauvetprofessional.com) for the latest menu map.

Main Level	Programming Levels		Description
<b>DMX Address</b>	<b>001–512*</b>		Selects DMX address (*highest channel restricted to personality chosen)
<b>DMX Channel</b>	<b>1 Ch</b>	<b>Virtual Color Wheel</b>	1-channel: dimmer
		<b>Color Temperature</b>	
		<b>Manual Color Mixer</b>	
		<b>4 Ch</b>	4-channel: dimmer, virtual color wheel, color temperature, hue
		<b>5 Ch</b>	5-channel: RGBAL
		<b>7 Ch</b>	7-channel: dimmer, RGBAL, strobe
		<b>11 Ch</b>	11-channel: 16-bit dimmer, RGBAL, strobe, virtual color wheel, color temperature, hue
		<b>13 Ch1</b>	13-channel: dimmer, RGBAL, strobe, virtual color wheel, color temperature, hue, auto program, auto speed, control
		<b>13 Ch2</b>	13-channel: 16-bit dimmer, 16-bit RGBAL, strobe
		<b>17 Ch</b>	17-channel: 16-bit dimmer, 16-bit RGBAL, strobe, virtual color wheel, color temperature, hue, control
	<b>HSV</b>		3-channel: hue, saturation, value
<b>Virtual Color Wheel</b>	<b>Virtual Color Wheel</b>	<b>C3050 - Md Yellow</b> <b>C3040 - Lt Yellow</b> <b>C3240 - Amb Yellow</b> <b>C2340 - V Lt Amber</b> <b>C2040 - Lt Amber</b> <b>C2050 - Md Amber</b> <b>C2060 - Dk Amber</b> <b>C1050 - Lt Red</b> <b>C1080 - Md Red</b> <b>C1020 - NC Pink</b> <b>C1030 - Md Pink</b> <b>C1630 - Dk Pink</b> <b>C1250 - Md Red Amber</b> <b>C1060 - Dk Red Amber</b> <b>C1650 - Magenta</b> <b>C6170 - Dk Magenta</b> <b>C6020 - Lt Lavender</b> <b>C5030 - Lt Blue</b> <b>C5020 - V Lt Blue</b> <b>C5430 - Lt Blue 2</b> <b>C5070 - Blue</b>	<b>Dimmer 0–255</b> Virtual Color Wheel simulates the output of each gel color. Refer to the <a href="#">Virtual Color Wheel Chart</a> for specific values.



# Operation



Main Level	Programming Levels		Description		
Virtual Color Wheel (cont.)	Virtual Color Wheel (cont.)	C5050 - Md Blue	Dimmer 0–255	Virtual Color Wheel simulates the output of each gel color. Refer to the <a href="#">Virtual Color Wheel Chart</a> for specific values.	
		C5060 - Dk Blue			
		C5690 - Indigo			
		C5080 - VDk Blue			
		C5081 - VDk Blue 2			
		C4370 - Yel Green			
		C4070 - Green			
		C4550 - Turquoise			
		C4560 - Aqua			
		C4570 - Blue Green			
	Virtual Color Wheel (cont.)	Color Temperature	2800K	Dimmer 0–255  Hue -25–25	Preset white color temperatures. Emulates a tungsten lamp at the specified color temperature. Refer to the <a href="#">Color Temperature Chart</a> for specific values.
			2900K		
			3000K		
			3100K		
			3200K		
			3300K		
			3400K		
			3500K		
			3600K		
			3700K		
			3800K		
			3900K		
			4000K		
			4100K		
			4200K		
			4300K		
			4400K		
			4500K		
			4600K		
			4700K		
			4800K		
			4900K		
	5000K				
5100K					
5200K					
5300K					
5400K					
5500K					
5600K					
5700K					
6000K					
6500K					
7000K					
7500K					
8000K					
Manual Color Mixer	Manual Color Mixer	Red	0–255	Combines red, green, blue, amber, and lime to make a custom color (0–100%)	
		Green			
		Blue			
		Amber			
		Lime			
Auto Show	Auto 1–5	Speed 1–100	Selects automatic programs and auto program speed		
Red Shift	On Off		Mimics halogen lamp dimming		

Main Level	Programming Levels		Description	
Master/ Slave	Master		Receives DMX signal from the DMX controller (master)	
	Slave		Receives DMX signal from the master unit	
Dimmer Curve	SCurve		Sets the dimmer curve	
	Linear			
	Square			
	Inverse Square			
Dimmer Mode	Off		Linear dimmer	
	Dimmer 1–3		Dimming curves, from fast ( <b>Dimmer 1</b> ) to slow ( <b>Dimmer 3</b> )	
Color Calibration	User Calibration	Off	Uses factory default white setting	
		Red	125–255	Sets red LED maximum value
		Green		Sets green LED maximum value
		Blue		Sets blue LED maximum value
		Amber		Sets amber LED maximum value
		Lime		Sets lime LED maximum value
LED Frequency	600Hz		Sets the PWM frequency	
	1200Hz			
	2000Hz			
	4000Hz			
	6000Hz			
	25KHz			
Fan Mode	Auto		Sets the fan to auto mode	
	On		Sets the fan to always on	
	Off		Sets the fan to always off	
	Silent		Sets the fan to silent	
Back Light	10S		Turns off display backlight after 10 seconds	
	30S		Turns off display backlight after 30 seconds	
	2Min		Turns off display backlight after 2 minutes	
	Always On		Display backlight remains on	
Information	Fixture Hours	----_H	Shows total hours the product has been powered on	
	LED Hours	----_H	Shows total hours the LEDs have been powered on	
	Version	V_._	Shows current firmware version	
	UID	-----	Shows product UID	
Upgrade Firmware	Only This Fixture	-----_CHL	Selects an update file for this product, or shows “ <b>No such file!</b> ”	
		...		
	Multiple Fixture	-----_CHL	Selects an update file for this and connected Ovation Rêve E-3 products, or shows “ <b>No such file!</b> ”	
		...		
	Other Fixture Type	-----_CHL	Selects an update file for other connected products, or shows “ <b>No such file!</b> ”	
		...		
Factory Reset	No		Resets settings to factory default	
	Yes			



When operating in Fan Mode: Off and Fan Mode: Silent, the fixture will become hotter to the touch than when using other fan modes. Use proper protective equipment to prevent burns. Keep a safe distance from flammable objects.



When operating in Fan Mode: Off and Fan Mode: Silent, output of the fixture will be reduced and will not reach the same levels as when using other fan modes.

## Operation

### DMX Configuration

Use control configurations to operate the product with a DMX controller.

#### Control Personalities

To set the control personality:

1. Go to the **DMX Channel** main level.
2. Select the desired personality, from **1 Ch, 4 Ch, 5 Ch, 7 Ch, 11 Ch, 13 Ch1, 13 Ch2, 17 Ch, or HSV**.



- See the [Starting Address](#) section for the highest selectable starting address for each personality.
- Make sure that the starting addresses on the various products do not overlap due to the new personality setting.

#### Starting Address

Each product will respond to a unique starting address from the controller. All products with the same starting address will respond in unison. To set the starting address:

1. Go to the **DMX Address** main level.
2. Select the starting address (**001–512**).

The highest recommended starting address for each DMX mode is as follows:

Personality	Address
<b>1 Ch</b>	<b>512</b>
<b>4 Ch</b>	<b>509</b>
<b>5 Ch</b>	<b>508</b>
<b>7 Ch</b>	<b>506</b>
<b>11 Ch</b>	<b>502</b>
<b>13 Ch1</b>	<b>500</b>
<b>13 Ch2</b>	<b>500</b>
<b>17 Ch</b>	<b>496</b>
<b>HSV</b>	<b>510</b>

## Virtual Color Wheel

The Ovation E-2 FC includes a feature called the Virtual Color Wheel (VCW). This feature is available as a standalone control mode for manual use and as a control channel in select DMX personalities. More than 30 premixed colors, custom blended by Chauvet engineers, are available to call up for easier programming.

The DMX values used to mix these colors are provided below. The overall intensity of the Ovation fixture can be adjusted to more closely replicate familiar industry-standard colors. A chart is available at [www.chauvetprofessional.com](http://www.chauvetprofessional.com) to compare Chauvet's premixed colors with popular gel colors. This chart is for comparison purposes only and is not an assertion that Chauvet's premixed colors match any of the gel colors listed.

### Virtual Color Wheel Chart

DMX Value	Display Readout	Red	Green	Blue	Amber	Lime
000 ⇔ 005	--	--	--	--	--	--
006 ⇔ 013	<b>C3050 - Md Yellow</b>	255	225	000	255	037
014 ⇔ 021	<b>C3040 - Lt Yellow</b>	255	177	003	255	037
022 ⇔ 028	<b>C3240 - Amb Yellow</b>	255	220	000	255	000
029 ⇔ 035	<b>C2340 - Vlt Amber</b>	195	000	015	255	057
036 ⇔ 043	<b>C2040 - Lt Amber</b>	255	000	011	255	061
044 ⇔ 051	<b>C2050 - Md Amber</b>	255	053	000	255	017
052 ⇔ 059	<b>C2060 - Dk Amber</b>	255	008	000	255	017
060 ⇔ 067	<b>C1050 - Lt Red</b>	255	000	003	014	000
068 ⇔ 075	<b>C1080 - Md Red</b>	255	000	002	000	000
076 ⇔ 083	<b>C1020 - NC Pink</b>	255	075	062	255	073
084 ⇔ 091	<b>C1030 - Md Pink</b>	255	075	057	255	041
092 ⇔ 099	<b>C1630 - Dk Pink</b>	218	077	057	255	061
100 ⇔ 107	<b>C1250 - Md Red Amber</b>	255	000	009	168	000
108 ⇔ 115	<b>C1060 - Dk Red Amber</b>	255	005	009	036	000
116 ⇔ 121	<b>C1650 - Magenta</b>	255	003	062	255	012
122 ⇔ 130	<b>C6170 - Dk Magenta</b>	255	000	055	000	000
131 ⇔ 138	<b>C6020 - Lt Lavender</b>	255	220	093	255	044
139 ⇔ 146	<b>C5030 - Lt Blue</b>	000	255	159	112	078
147 ⇔ 154	<b>C5020 - Vlt Blue</b>	000	215	145	196	065
155 ⇔ 162	<b>C5430 - Lt Blue2</b>	000	215	132	52	092
163 ⇔ 170	<b>C5070 - Blue</b>	000	195	188	000	019
171 ⇔ 178	<b>C5050 - Md Blue</b>	000	163	190	000	068
179 ⇔ 186	<b>C5060 - Dk Blue</b>	000	128	193	000	038
187 ⇔ 194	<b>C5690 - Indigo</b>	053	009	255	000	000
195 ⇔ 202	<b>C5080 - VDk Blue</b>	007	084	116	000	000
203 ⇔ 210	<b>C5081 - VDk Blue2</b>	011	082	139	000	000
211 ⇔ 218	<b>C4370 - Yel Green</b>	000	255	002	025	000
219 ⇔ 226	<b>C4070 - Green</b>	000	255	009	000	175
227 ⇔ 234	<b>C4550 - Turquoise</b>	000	255	087	096	255
235 ⇔ 242	<b>C4560 - Aqua</b>	000	255	098	044	255
243 ⇔ 250	<b>C4570 - Blue Green</b>	000	255	026	008	000
251 ⇔ 255	--	--	--	--	--	--



The colors above are simulated renditions of the color output produced compared with other similar incandescent products. Chauvet makes no guarantee of the color output accuracy.

## Operation

### Color Temperature Chart

DMX Value	Color Temperature	Red	Green	Blue	Amber	Lime
000 ⇔ 005	No function					
006	2800K	253	000	025	255	145
007 ⇔ 012	2801–2899K					
013	2900K	253	003	028	255	153
014 ⇔ 019	2901–2999K					
020	3000K	251	005	033	255	161
021 ⇔ 026	3001–3099K					
027	3100K	248	007	036	255	169
028 ⇔ 033	3101–3199K					
034	3200K	245	009	045	255	173
035 ⇔ 040	3201–3299K					
041	3300K	242	013	047	255	182
042 ⇔ 047	3301–3399K					
048	3400K	237	022	053	255	185
049 ⇔ 054	3401–3499K					
055	3500K	230	030	058	255	185
056 ⇔ 061	3501–3599K					
062	3600K	225	040	064	255	185
063 ⇔ 068	3601–3699K					
069	3700K	221	048	070	255	185
070 ⇔ 075	3701–3799K					
076	3800K	220	048	074	255	197
077 ⇔ 082	3801–3899K					
083	3900K	220	050	079	255	203
084 ⇔ 089	3901–3999K					
090	4000K	210	058	084	255	203
091 ⇔ 096	4001–4099K					
097	4100K	205	063	088	255	203
098 ⇔ 103	4101–4199K					
104	4200K	199	068	095	255	204
105 ⇔ 110	4201–4299K					
111	4300K	189	069	098	255	204
112 ⇔ 117	4301–4399K					
118	4400K	183	071	103	255	204
119 ⇔ 124	4401–4499K					
125	4500K	174	078	107	255	204
126 ⇔ 131	4501–4599K					
132	4600K	170	080	112	255	204
133 ⇔ 138	4601–4699K					
139	4700K	166	089	119	255	204
140 ⇔ 145	4701–4799K					
146	4800K	164	098	123	255	203
147 ⇔ 152	4801–4899K					
153	4900K	163	100	129	255	205
154 ⇔ 159	4901–4999K					
160	5000K	163	103	137	255	206

DMX Value	Color Temperature	Red	Green	Blue	Amber	Lime
161 ⇄ 166	<b>5001–5099K</b>					
167	<b>5100K</b>	163	108	142	255	208
168 ⇄ 173	<b>5101–5199K</b>					
174	<b>5200K</b>	163	116	147	255	208
175 ⇄ 180	<b>5201–5299K</b>					
181	<b>5300K</b>	163	118	156	255	210
182 ⇄ 187	<b>5301–5399K</b>					
188	<b>5400K</b>	162	122	162	255	216
189 ⇄ 194	<b>5401–5499K</b>					
195	<b>5500K</b>	162	124	166	255	224
196 ⇄ 201	<b>5501–5599K</b>					
202	<b>5600K</b>	162	127	172	255	229
203 ⇄ 208	<b>5601–5699K</b>					
209	<b>5700K</b>	159	127	177	255	231
210 ⇄ 215	<b>5701–5999</b>					
216	<b>6000K</b>	158	134	192	241	231
217 ⇄ 222	<b>6001–6499K</b>					
223	<b>6500K</b>	152	152	206	225	231
224 ⇄ 229	<b>6501–6999K</b>					
230	<b>7000K</b>	144	157	224	218	231
231 ⇄ 236	<b>7001–7499K</b>					
237	<b>7500K</b>	127	172	238	218	231
238 ⇄ 243	<b>7501–7999K</b>					
244 ⇄ 255	<b>8000K</b>	122	175	255	200	231



The color temperatures above are simulated renditions of the color output produced compared with a tungsten lamp at the specified color temperature. Chauvet makes no guarantee of the color output accuracy.

## Operation

### DMX Channel Assignments and Values

17 Ch / 13 Ch2 / 13 Ch1 / 11 Ch / 7 Ch / 5 Ch / 4 Ch / 1 Ch

1	4	5	7	11	13-1	13-2	17	Function	Value	Percent/Setting
1	1	-	1	1	1	1	1	Dimmer	000 ⇔ 255	0–100%
-	-	-	-	2	-	2	2	Dimmer fine	000 ⇔ 255	0–100%
-	-	1	2	3	2	3	3	Red	000 ⇔ 255	0–100%
-	-	-	-	-	-	4	4	Red fine	000 ⇔ 255	0–100%
-	-	2	3	4	3	5	5	Green	000 ⇔ 255	0–100%
-	-	-	-	-	-	6	6	Green fine	000 ⇔ 255	0–100%
-	-	3	4	5	4	7	7	Blue	000 ⇔ 255	0–100%
-	-	-	-	-	-	8	8	Blue fine	000 ⇔ 255	0–100%
-	-	4	5	6	5	9	9	Amber	000 ⇔ 255	0–100%
-	-	-	-	-	-	10	10	Amber fine	000 ⇔ 255	0–100%
-	-	5	6	7	6	11	11	Lime	000 ⇔ 255	0–100%
-	-	-	-	-	-	12	12	Lime fine	000 ⇔ 255	0–100%
-	-	-	7	8	7	13	13	Strobe	000 ⇔ 010 011 ⇔ 255	No function Strobe, slow to fast
-	2	-	-	9	8	-	14	Virtual color wheel	000 ⇔ 255	See <a href="#">Virtual Color Wheel Chart</a>
-	3	-	-	10	9	-	15	Color temperature	000 ⇔ 255	See <a href="#">Color Temperature Chart</a>
-	4	-	-	11	10	-	16	Hue	000 001 ⇔ 255	0 -25–25
-	-	-	-	-	11	-	-	Auto programs	000 ⇔ 010 011 ⇔ 060 061 ⇔ 110 111 ⇔ 160 161 ⇔ 210 211 ⇔ 255	No function Auto program 1 Auto program 2 Auto program 3 Auto program 4 Auto program 5
-	-	-	-	-	12	-	-	Auto speed	000 ⇔ 255	Auto speed, slow to fast
-	-	-	-	-	13	-	17	Control (hold for 3 seconds)	000 ⇔ 007 008 ⇔ 015 016 ⇔ 023 024 ⇔ 031 032 ⇔ 039 040 ⇔ 047 048 ⇔ 055 056 ⇔ 063 064 ⇔ 071 072 ⇔ 079 080 ⇔ 087 088 ⇔ 095 096 ⇔ 103 104 ⇔ 111 112 ⇔ 119 120 ⇔ 127 128 ⇔ 135 136 ⇔ 143 144 ⇔ 151 152 ⇔ 159 160 ⇔ 167 168 ⇔ 175 176 ⇔ 255	No function Dimmer reset Red shift on Red shift off S-curve dimmer Linear dimmer Square dimmer curve Inverse square dimmer curve Dimmer speed mode: OFF Dimmer speed 1 (fastest) Dimmer speed 2 Dimmer speed 3 (slowest) Fan auto Fan on Fan off Fan silent 600 Hz 1200 Hz 2000 Hz 4000 Hz 6000 Hz 25 KHz Reserved for future use

## HSV

Channel	Function	Value	Percent/Setting
1	Dimmer	000 ⇔ 255	0–100%
2	Saturation	000 ⇔ 255	0–100%
3	Value	000 ⇔ 255	0–100%

## Standalone Configuration

### Static Mode

The static mode options under **Virtual Color Wheel** also include preset color temperatures and a manual color mixer.

### Virtual Color Wheel

To select from the Virtual Color Wheel:

1. Go to the **Virtual Color Wheel** main level.
2. Select the **Virtual Color Wheel** option.
3. Select the desired virtual gel color (see the [Virtual Color Wheel Chart](#)).
4. Set the **Dimmer** value (**0–255**).

### Color Temperature

To select a preset color temperature:

1. Go to the **Virtual Color Wheel** main level.
2. Select the **Color Temperature** option.
3. Select the desired color temperature (see the [Color Temperature Chart](#)).
4. Set the **Dimmer** value (**0–255**).
5. If desired, set the **Hue** value (**-25–25**).

### Manual Color Mixer

To manually mix a custom static color:

1. Go to the **Virtual Color Wheel** main level.
2. Select **Manual Color Mixer**.
3. Select the color to edit (**Red, Green, Blue, Amber, or Lime**).
4. Set the value for the selected color (**0–255**).
5. Repeat steps 3 and 4 until product outputs as desired.

### Auto Show

To select an automatic program:

1. Go to the **Auto Show** main level.
2. Select the desired auto program (**Auto 1–5**).
3. Set the **Speed** value (**1–100**).



## Operation

### Settings Configuration

#### Red Shift

The Red Shift function imitates the dimming of a halogen lamp. To toggle Red Shift:

1. Go to the **Red Shift** main level.
2. Select **On** or **Off**.

#### Master/Slave

The Master/Slave mode allows a group of Ovation E-2 FC products (the slaves) to simultaneously duplicate the output of another Ovation E-2 FC (the master) without a DMX controller.

To set each of the slaves:

1. Go to the **Master/Slave** main level
2. Select **Slave**.

To set the master:

1. Go to the **Master/Slave** main level
2. Select **Master**.
3. Select a standalone setting.



- The master is the one that runs a program whether in Auto or Static mode.
- Do not connect a DMX controller to the products configured for Master/Slave operation. The DMX controller may interfere with signals from the master.
- The master should be the first product in the daisy chain.

#### Dimmer Curve

To set the dimmer curve:

1. Go to the **Dimmer Curve** main level.
2. Select the desired option (**SCurve**, **Linear**, **Square**, or **Inverse Square**).

#### Dimmer Profile

This setting determines how fast the output of the Ovation E-2 FC changes when the output value is modified. It provides four different options to simulate the dimming curve of an incandescent lighting product. To select a specific dimmer profile, do the following:

1. Go to the **Dimmer Mode** main level.
2. Select a dimmer curve (**Off**, **Dimmer 1**, **Dimmer 2**, or **Dimmer 3**).



- Off:** The output is proportional (linear) to the dimmer channel value.
- Dimmer 1–3:** The output follows the dimmer value based on the corresponding dimmer curve, **Dimmer 1** being the fastest.

#### Color Calibration

This setting determines the maximum output values for each color, which affects the appearance of the total color output.

1. Go to the **Color Calibration** main level.
2. Select **Off** (LED values will be linear/uncalibrated), **User Calibration**, or **Factory Calibration**.
3. For **User Calibration** mode, select the color value to edit (**Red**, **Green**, **Blue**, **Amber**, or **Lime Green**).
4. Set the maximum value for the selected color (**125–255**).
5. Repeat steps 3 and 4 until the product outputs as desired.

#### Pulse Width Modulation

To set the Pulse Width Modulation (PWM) frequency of the LEDs on the Ovation E-2 FC:

1. Go to the **LED Frequency** main level.
2. Select the PWM Frequency (**600Hz**, **1200Hz**, **2000Hz**, **4000Hz**, **6000Hz**, or **25Khz**).

## Fan Mode

To set the fan speed mode:

1. Go to the **Fan Speed** main level.
2. Select **Auto** (fan speed will increase or decrease based on product temperature), **Off** (fan will stay off. Product output will decrease based on product temperature), **Silent** (fan will maintain a constant silent speed), or **On** (fan speed will always be at maximum).



**When operating in Fan Mode: Off and Fan Mode: Silent, the fixture will become hotter to the touch than when using other fan modes. Use proper protective equipment to prevent burns. Keep a safe distance from flammable objects.**



**When operating in Fan Mode: Off and Fan Mode: Silent, output of the fixture will be reduced and will not reach the same levels as when using other fan modes.**

## Display Backlight Timer

To set the amount of time the backlight on the Ovation E-2 FC's display stays on after the last button is pressed on the control panel:

1. Go to the **Back Light** main level.
2. Select **10S** (10 seconds), **30S** (30 seconds), **2Min** (2 minutes), or **Always On** (remains on).

## Information

To view essential product information:

1. Go to the **Information** main level.
2. Select **Fixture Hours**, **LED Hours**, **Version**, or **UID**.

## Factory Reset

To reset the product to factory settings:

1. Go to the **Factory Reset** main level.
2. Select **No** (to cancel) or **Yes** (to reset the product configuration).

# 5. Maintenance

## Product Maintenance

Dust build-up reduces light output performance and can cause overheating. This can lead to reduction of the light source's life and/or mechanical wear. To maintain optimum performance and minimize wear, clean each lighting product at least twice a month. However, be aware that usage and environmental conditions could be contributing factors to increase the cleaning frequency.

To clean the product, follow the instructions below:

1. Unplug the product from power.
2. Wait until the product is at room temperature.
3. Use a vacuum (or dry compressed air) and a soft brush to remove dust collected on the external surface/vents.
4. Clean all transparent surfaces with a mild soap solution, ammonia-free glass cleaner, or isopropyl alcohol.
5. Apply the solution directly to a soft, lint free cotton cloth or a lens cleaning tissue.
6. Softly drag any dirt or grime to the outside of the transparent surface.
7. Gently polish the transparent surfaces until they are free of haze and lint.



**Always dry the transparent surfaces carefully after cleaning them.**



**Do not spin the cooling fans with compressed air. Damage may result.**

## 6. Technical Specifications

### Dimensions and Weight

Length	Width	Height	Weight
18.1 in (461 mm)	12.2 in (310 mm)	17.5 in (445 mm)	14.8 lb (6.7 kg)

**Note:** Dimensions in inches are rounded.

### Power

Power Supply Type	Range	Voltage Selection
Switching (internal)	100 to 240 VAC, 50/60 Hz	Auto-ranging

Parameter	100 V, 60 Hz	120 V, 60 Hz	208 V, 60 Hz	230 V, 50 Hz	240 V, 50 Hz
Consumption	177 W	208 W	219 W	220 W	220 W
Operating Current	1.88 A	1.71 A	1.10 A	0.98 A	0.95 A
Power Linking	12 A	12 A	12 A	12 A	12 A
Current (products)	(6 products)	(7 products)	(10 products)	(12 products)	(12 products)
Fuse/Breaker	T 3.15 A, 250 V	T 3.15 A, 250 V	T 3.15 A, 250 V	T 3.15 A, 250 V	T 3.15 A, 250 V

Power I/O	U.S./Worldwide	UK/Europe
Power Input Connector	Seetronic Powerkon IP65	Seetronic Powerkon IP65
Power Output Connector	Seetronic Powerkon IP65	Seetronic Powerkon IP65
Power Cable plug	Edison	Local plug

### Light Source

Type	Color	Quantity	Power	Current	Lifespan
LED	Red	15	6 to 9.75 W	1.5 A	50,000 hours
	Green	11			
	Blue	6			
	Cyan	4			
	Amber	14			
	Lime	22			

### Photometrics

Zoom Level	Beam Angle	Field Angle	Cutoff Angle	Illuminance @ 5 m
Spot	23.8°	25.6°	24.9°	1107 lux
50%	38.7°	41.3°	41.9°	595 lux
Flood	46.4°	51°	51.8°	488 lux

**Zoom Range** (Beam Angle to Cutoff Angle): 23.8° to 51.8°

### Thermal

Maximum External Temperature	Cooling System
113 °F (45 °C)	Fan-assisted Convection

### Control

DMX I/O Connector	Channel Range
5-pin XLR	1, 4, 5, 7, 11, 13ch1, 13ch2, 17, or HSV

### Ordering

Product Name	Item Name	Item Code	UPC Number
Ovation E-2 FC	OVATIONE2FC	03121951	781462222994



## Contact Us

General Information	Technical Support
<b>Chauvet World Headquarters</b>	
Address: 3360 Davie Rd., Suite 509 Davie, FL 33314 Voice: (954) 577-4455 Fax: (954) 929-5560 Toll Free: (800) 762-1084	Voice: (844) 393-7575 Fax: (954) 756-8015 Email: <a href="mailto:chauvetcs@chauvetlighting.com">chauvetcs@chauvetlighting.com</a>  Website: <a href="http://www.chauvetprofessional.com">www.chauvetprofessional.com</a>
<b>Chauvet U.K.</b>	
Address: Pod 1 EVO Park Little Oak Drive, Sherwood Park Nottinghamshire, NG15 0EB UK Voice: +44 (0) 1773 511115 Fax: +44 (0) 1773 511110	Email: <a href="mailto:UKtech@chauvetlighting.eu">UKtech@chauvetlighting.eu</a>  Website: <a href="http://www.chauvetprofessional.eu">www.chauvetprofessional.eu</a>
<b>Chauvet Benelux</b>	
Address: Stokstraat 18 9770 Kruishoutem Belgium Voice: +32 9 388 93 97	Email: <a href="mailto:BNLtech@chauvetlighting.eu">BNLtech@chauvetlighting.eu</a>  Website: <a href="http://www.chauvetprofessional.eu">www.chauvetprofessional.eu</a>
<b>Chauvet France</b>	
Address: 3, Rue Ampère 91380 Chilly-Mazarin France Voice: +33 1 78 85 33 59	Email: <a href="mailto:FRtech@chauvetlighting.fr">FRtech@chauvetlighting.fr</a>  Website: <a href="http://www.chauvetprofessional.eu">www.chauvetprofessional.eu</a>
<b>Chauvet Germany</b>	
Address: Bruno-Bürgel-Str. 11 28759 Bremen Germany Voice: +49 421 62 60 20	Email: <a href="mailto:DEtech@chauvetlighting.de">DEtech@chauvetlighting.de</a>  Website: <a href="http://www.chauvetprofessional.eu">www.chauvetprofessional.eu</a>
<b>Chauvet Mexico</b>	
Address: Av. de las Partidas 34 - 3B (Entrance by Calle 2) Zona Industrial Lerma Lerma, Edo. de México, CP 52000 Voice: +52 (728) 690-2010	Email: <a href="mailto:servicio@chauvet.com.mx">servicio@chauvet.com.mx</a>  Website: <a href="http://www.chauvetprofessional.mx">www.chauvetprofessional.mx</a>

## Warranty & Returns

For warranty terms and conditions and return information, please visit our website.

For customers in the United States and Mexico: [www.chauvetlighting.com/warranty-registration](http://www.chauvetlighting.com/warranty-registration).

For customers in the United Kingdom, Republic of Ireland, Belgium, the Netherlands, Luxembourg, France, and Germany: [www.chauvetlighting.eu/warranty-registration](http://www.chauvetlighting.eu/warranty-registration).