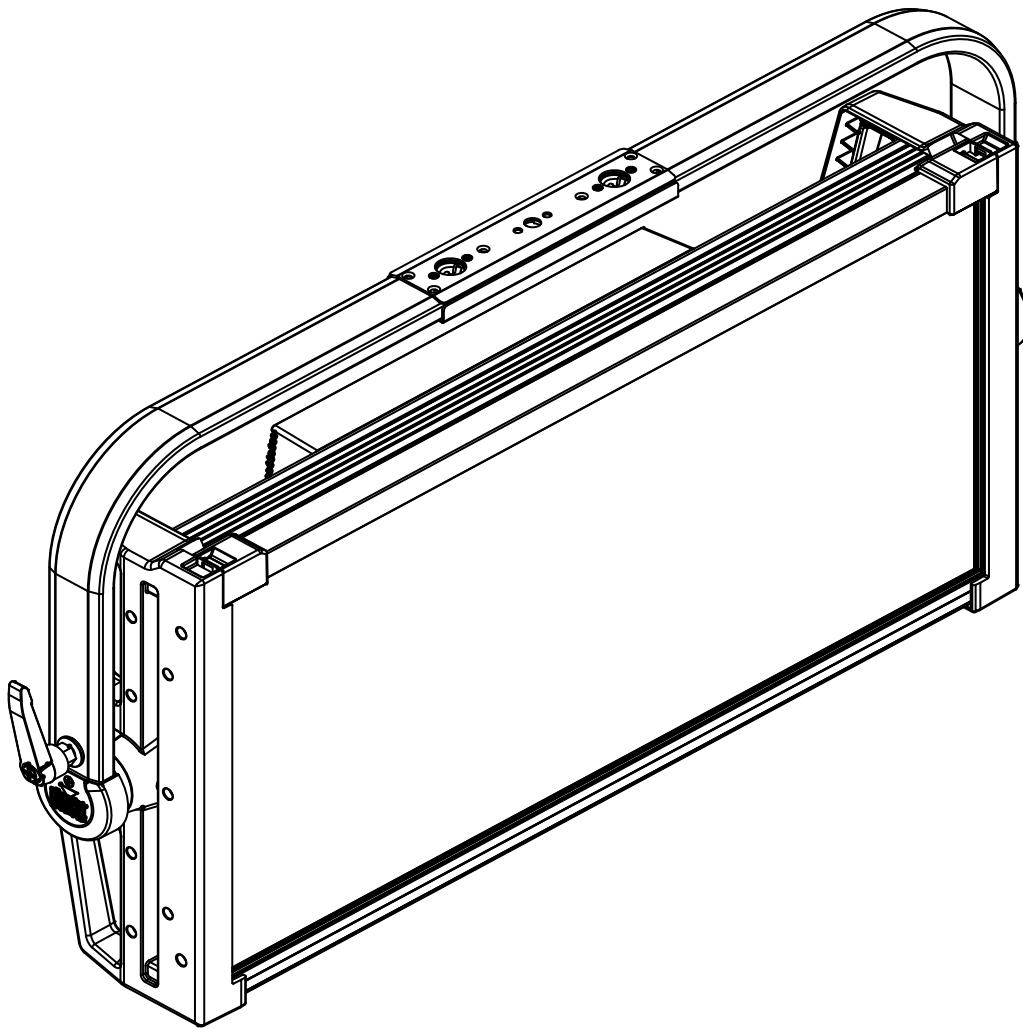


ONAIR IP

PANEL 2

Quick Reference Guide

English	EN
Español	ES
Français	FR
Deutsch	DE
Nederlands	NL



Model ID: ONAIRIPPANEL2

About This Guide

The onAir IP Panel 2 Quick Reference Guide (QRG) has basic product information such as mounting, menu options, and DMX values. Download the User Manual from www.chauvetprofessional.com for more details.

Disclaimer

The information and specifications contained in this QRG are subject to change without notice.

LIMITED WARRANTY

FOR WARRANTY REGISTRATION AND COMPLETE TERMS AND CONDITIONS PLEASE VISIT OUR WEBSITE.

For Customers in the United States and Mexico: www.chauvetlighting.com/warranty-registration.

For Customers in the United Kingdom, Republic of Ireland, Belgium, the Netherlands, Luxembourg, France, and Germany: www.chauvetlighting.eu/warranty-registration.

Chauvet warrants that this product shall be free from defects in material and workmanship under normal use, for the period specified in, and subject to the exclusions and limitations set forth in the full limited warranty on our website. This warranty extends only to the original purchaser of the product and is not transferable. To exercise rights under this warranty, you must provide proof of purchase in the form of an original sales receipt from an authorized dealer that shows the product name and date of purchase. THERE ARE NO OTHER EXPRESS OR IMPLIED WARRANTIES. This warranty gives you specific legal rights. You may also have other rights that vary from state to state and country to country. This warranty is valid only in the United States, United Kingdom, Republic of Ireland, Belgium, the Netherlands, Luxembourg, France, Germany and Mexico. For warranty terms in other countries, please consult your local distributor.

Safety Notes

- The luminaire should be positioned so that prolonged staring into the luminaire at a distance closer than 19.7 in (50 cm) is not expected.
- If the external flexible cable or cord of this luminaire is damaged, it shall be replaced by a special cord or cord exclusively available from the manufacturer or his service agent.
- The light source contained in this luminaire shall only be replaced by the manufacturer or his service agent or a similar qualified person.
- The luminaire is intended for professional use only.
- DO NOT open this product. It contains no user-serviceable parts.
- DO NOT look at the light source when the product is on.
- To eliminate unnecessary wear and improve its lifespan, during periods of non-use completely disconnect the product from power via breaker or by unplugging it.
- CAUTION: When transferring product from extreme temperature environments, (e.g. cold truck to warm humid ballroom) condensation may form on the internal electronics of the product. To avoid causing a failure, allow product to fully acclimate to the surrounding environment before connecting it to power.
- CAUTION: This product's housing may be hot when lights are operating.
- Mount this product in a location with adequate ventilation, at least 20 in (50 cm) from adjacent surfaces.
- DO NOT leave any flammable material within 7.87 in (20 cm) of this product while operating or connected to power.
- USE a safety cable when mounting this product overhead.
- DO NOT submerge this product (IP65). Regular outdoor operation is fine.
- DO NOT operate this product if the housing, lenses, or cables appear damaged.
- DO NOT connect this product to a dimmer or rheostat.
- ONLY connect this product to a grounded and protected circuit.
- ONLY use the hanging/mounting bracket or the handles to carry this product.
- In the event of a serious operating problem, stop using immediately.
- The maximum ambient temperature is 113 °F (45 °C). Do not operate this product at higher temperatures.
- The minimum startup temperature is -4°F (-20°C). Do not start the product at lower temperatures.
- The minimum ambient temperature is -22°F (-30°C). Do not operate the product at lower temperatures.

FCC Compliance

This device complies with Part 15 Part B of the FCC Rules. Operation is subject to the following two conditions:

1. This device may not cause harmful interference, and
2. This device must accept any interference received, including interference that may cause undesired operation.

Any changes or modifications not expressly approved by the party responsible for compliance could void the user's authority to operate the equipment.

RF Exposure Warning for North America, and Australia

Warning! This equipment complies with FCC radiation exposure limits set forth for an uncontrolled environment. This equipment should be installed and operated with a minimum distance of 20cm between the radiator and your body. This transmitter must not be co-located or operating in conjunction with any other antenna or transmitter.

Contact

Outside the U.S., U.K., Ireland, Benelux, France, Germany, or Mexico, contact your distributor to request support or return a product. Refer to [Contact Us](#) at the end of this QRG for contact information.

What is Included

- onAir IP Panel 2
- Seetronic Powerkon IP65 cable
- Omega bracket with mounting hardware
- Junior pin
- Quick Reference Guide

AC Power

This product has an auto-ranging power supply that can work with an input voltage range of 100–240 V~, 50/60 Hz.

Power Linking

You can link up to 3 onAir IP Panel 2 products at 100 V, 4 products at 120 V, 7 products at 208 V, 8 products at 230 V, or 8 products at 240 V. Never exceed this number. Power linking cords can be purchased separately.

AC Plug

Connection	Wire (U.S.)	Wire (Europe)	Screw Color
AC Live	Black	Brown	Yellow/Brass
AC Neutral	White	Blue	Silver
AC Ground	Green/Yellow	Green/Yellow	Green

DC Power

This product has a 3-pin IP65 XLR power input port that can work with an input voltage of 28 V DC which is SELV voltage supplied by short-circuit-proof power supply.



If AC power and DC power are input to the product at the same time, the product will automatically give priority to AC power input.



To eliminate unnecessary wear and improve its lifespan, during periods of non-use completely disconnect the product from power via breaker or by unplugging it.

Signal Connections

The onAir IP Panel 2 will work with a controller or controller software using a wired DMX connection, a wireless Lumenradio CRMX™ connection, or an Ethernet connection, If using other Art-Net™ or sACN-compatible products with the onAir IP Panel 2, each can be controlled individually on a single network. See the User Manual for information about how to connect and configure the product for these signals.

Control Personalities

The onAir IP Panel 2 uses DMX, CRMX™, Art-Net™, and sACN for its control personalities: **1Ch, 3Ch, 4Ch, 5Ch, 6Ch, 8Ch, 11Ch, 15Ch, 16Ch, 18Ch, 23Ch, 32Ch, XYBasic(6), and XYExtended(10).**

DMX Connection

The onAir IP Panel 2 will work with a DMX controller using a 5-pin DMX data connection or a wireless CRMX™ connection. A DMX Primer is available from www.chauvetprofessional.com.

Art-Net™ Connection

Art-Net™ is an Ethernet protocol that uses TCP/IP which transfers a large amount of DMX512 data using an Neutrik® etherCON® RJ45 connection over a large network. An Art-Net™ protocol document is available from www.chauvetprofessional.com. Chauvet Professional recommends using unicast Art-Net™ for best results. Art-Net™ designed by and copyright Artistic Licence Holdings Ltd.

sACN Connection

Also known as ANSI E1.31, Streaming-ACN is an Ethernet protocol that uses the layering and formatting of Architecture for Control Networks to transport DMX512 data over IP or any other ACN compatible network.

RDM (Remote Device Management)

Remote Device Management, or RDM, is a standard for allowing DMX-enabled devices to communicate bi-directionally along existing DMX cabling. Check the DMX controller's User Manual or with the manufacturer as not all DMX controllers have this capability. The onAir IP Panel 2 supports RDM protocol that allows feedback to make changes to menu map options. Download the User Manual from www.chauvetprofessional.com for more details.

USB Software Update

The onAir IP Panel 2 allows for software update through USB using the built-in USB port. To update the software using USB flash drive, do the following:

1. Power on the fixture and plug the flash drive into the USB port.
2. Once the flash drive has been detected, the message "Upgrade Firmware" will be displayed. Press **<ENTER>**.
 - If a different message appears on the display, search for the updated software in the Main Menu (**Update Firmware**) and select from **Only This Unit**, **Multiple Units**, or **Other Fixture Type**. A list of the software update files will be displayed.
3. Select the file that needs to be uploaded. The message "Are you sure?" will be displayed. Press **<ENTER>**.
4. If the selected file is correct, the upgrade will be completed. Restart the fixture.
 - If the selected file is incorrect, the upgrade will fail, and the display will go back to the main interface. Repeat steps 1-3 using the correct file.



The .chl format file needs to be placed in the ONAIR folder in the USB flash drive.



The "Other Fixture Type" option can only be selected for connected products compatible with the Upload 03 (the first 2 digits of the item code must be 03).

Wireless Operation

In optimal conditions, the onAir IP Panel 2 can operate up to 300 m (900 ft) away from the CRMX™ transmitter, The CRMX™ receiver in the onAir IP Panel 2 must be paired with the CRMX™ transmitter for wireless operation.

Initial Setup

1. Turn the CRMX™ transmitter on.
2. Connect the CRMX™ transmitter to a DMX controller.
3. Place the onAir IP Panel 2 within 300 m from the CRMX™ transmitter.
4. Turn the onAir IP Panel 2 on.

Configuration

1. From the onAir IP Panel 2's control panel, go to **DMX Address**.
2. Select the start address, as with any other DMX compatible product.
3. Go to **Wireless Setting > Receive On/Off**.
4. Select **On**. (The Signal Strength Indicator will show a ? in front of the bars)
5. Press the reset button on the CRMX™ transmitter. (The Signal Strength Indicator on the onAir IP Panel 2 will show a 4 in front of the bars for 3 seconds while a connection is established.)

Product Pairing

If the onAir IP Panel 2 has already been paired with the CRMX™ transmitter, the Signal Strength Indicator on top of the display will show the strength of the signal. In this case, the onAir IP Panel 2 is ready to work in Wireless mode.

Pairing the onAir IP Panel 2 and a New CRMX™ Transmitter

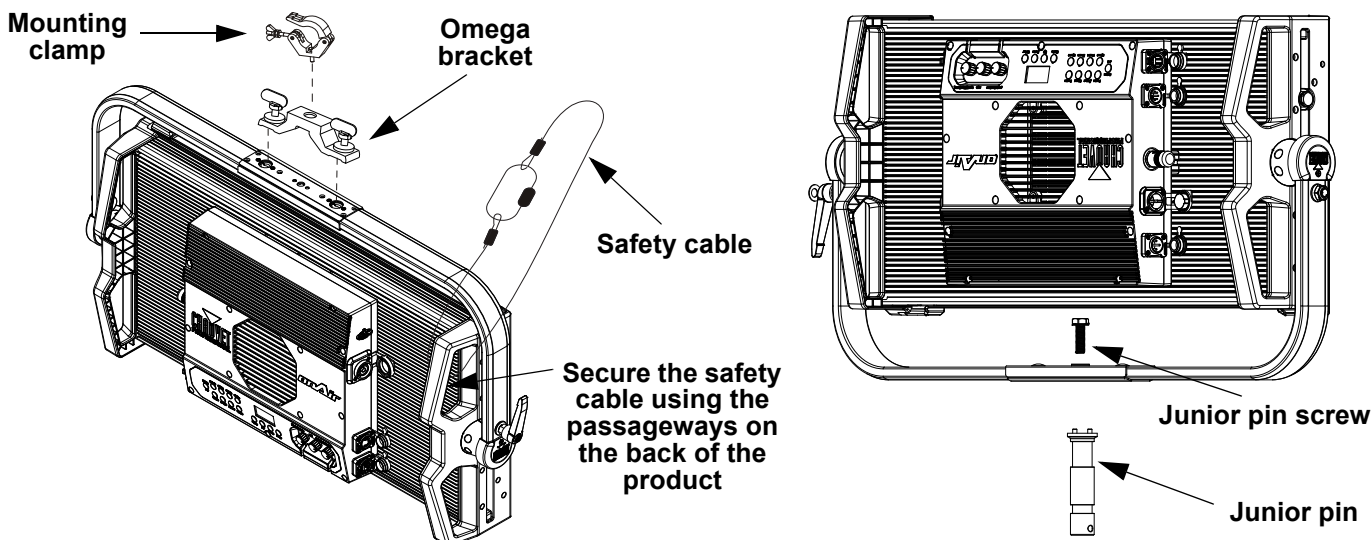
1. From the onAir IP Panel 2 control panel, go to **Wireless Setting > Receive Reset**.
2. Select **Yes**.
3. From the CRMX™ transmitter, press **<RESET>**. The signal indicator on the transmitter will flash.
4. Once the transmitter has found the onAir IP Panel 2, the signal indicator on the CRMX™ transmitter will illuminate solid.
5. The display screen on the onAir IP Panel 2 will show the strength of the signal.

 **CRMX™ operation can be interrupted or inhibited by people or liquid masses, including water or snow, between the transmitter and receiver. For best results, keep the area between the transmitter and receiver clear of any liquid masses.**

Mounting

Before mounting this product, read the [Safety Notes](#). Make sure the mounting clamps are capable of supporting the weight of the product. Mounting clamps sold separately. For our CHAUVET Professional line of mounting clamps, go to <http://trusst.com/products>.

Mounting Diagram



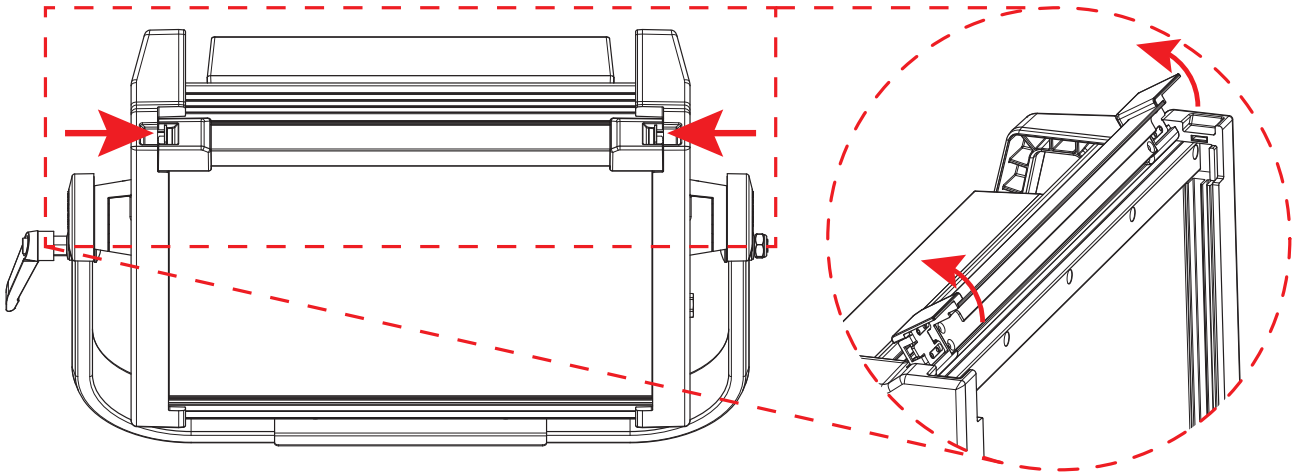
Accessory Slots

The onAir IP Panel 2 has 2 accessory slots that can be accessed by pressing the accessory slot tabs inward and opening the hinged accessory slot cover.



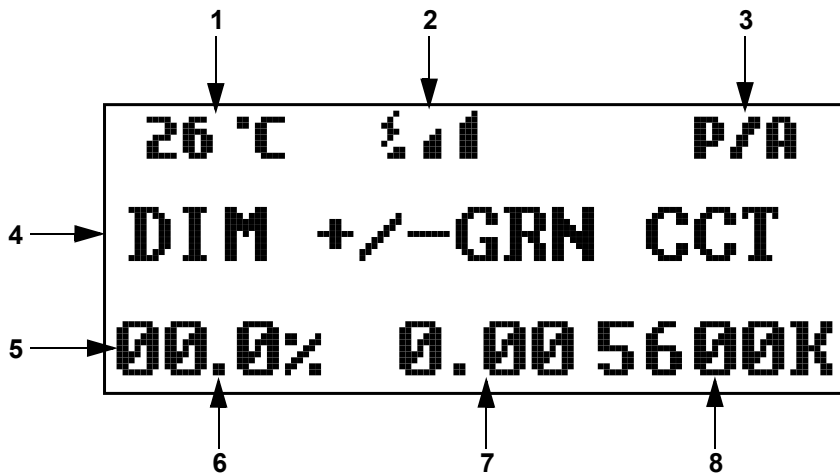
- **Do not use when the diffuser is removed. The diffuser cannot be removed when the fixture is powered on.**
- **For fixed mounted luminaires, the risk group shall not exceed RG1 at the distance obtaining 500 lx.**

- The back slot is for a diffuser or intensifier.
- The front slot is for accessories such as a honeycomb or barndoors.



Home Screen

The home screen of the onAir IP Panel 2 shows the current settings and status of the product.



Number	Description
1	Current product temperature
2	Current wireless signal status
3	Current preset or preset bank
4	Middle line shows current control mode. Shows DIM +/-GRN CCT in CCT mode, DIM HUE SAT in HSV mode, DIM X Y in XY Control mode, Master Mode in master mode, Slave Mode in slave mode, etc.
5	Bottom line shows details of the current control mode
6	Current dimmer or intensity value (00.0–100%) in CCT, HSV, or XY Control mode
7	Current +/- green value (-0.25–+0.25) in CCT mode, hue value (000–360°) in HSV mode, or X value (0.00–0.850) in XY Control mode
8	Current color temperature (2800–8000K) in CCT mode, saturation value (000–255) in HSV mode, or Y value (0.00–0.850) in XY Control mode

Control Panel Description

Button/Knob	Function
<MENU>	Exits from the current menu or function
<ENTER>	Enables the currently displayed menu or sets the currently selected value into the selected function
<UP>	Navigates upwards through the menu list or increases the numeric value when in a function
<DOWN>	Navigates downwards through the menu list or decreases the numeric value when in a function
<DIM/INTENSITY>	Increases or decreases the dimmer value or intensity
<HUE>	Increases or decreases the hue value or X value
<CCT/SATURATION>	Increases or decreases the color temperature, saturation, or Y value
<PRESET A/B>	Toggles between A presets (built-in) and B presets (custom)
<PRESET> (x8)	Selects a preset. Hold for 3 seconds to save the current look to the selected B preset.

Menu Map

Refer to the onAir IP Panel 2 product page on www.chauvetprofessional.com for the latest menu map.

Main Level	Programming Levels			Description	
Protocol	DMX512			Sets the control protocol	
	Artnet				
	sACN				
DMX Address	001–509*			Selects DMX address (*Highest channel restricted to personality chosen)	
DMX Channel	1Ch	Preset CCTs	Hue	<-25–25>	1-channel: selects a preset CCT and hue
			Red	<000–255>	
		Manual Color Mixer	Green	<000–255>	1-channel: combine red, green, blue, and white to make a custom color (0–100%)
			Blue	<000–255>	
			White	<000–255>	
	3Ch				3-channel: dimmer, color temperature, hue
	4Ch				4-channel: RGBW
	5Ch				5-channel: 16-bit dimmer, color temperature, hue, strobe
	6Ch				6-channel: dimmer, RGBW, strobe
	8Ch				8-channel: 16-bit RGBW
	11Ch				11-channel: 16-bit dimmer, RGBW, strobe, color temperature, hue, effect macros, and speed
	15Ch				15-channel: 16-bit dimmer, 16-bit RGBW, strobe, color temperature, hue, effect macros, and speed
	16Ch				16-channel: RGBW 1–4
	18Ch				18-channel: dimmer, RGBW 1–4, and strobe
	23Ch				23-channel: dimmer, RGBW 1–4, strobe, color temperature, hue, effect macros and speed, control
32Ch				32-channel: 16-bit RGBW 1–4	
XYBasic(6)				6-channel: 16-bit dimmer, 16-bit X, 16-bit Y	
XYExtended(10)				10-channel: 16-bit dimmer, 16-bit X, 16-bit Y, strobe, effect macros and speed, control	
Static	CCT Control			Correlated color temperature control	
	HSV Control			Hue, saturation, value control	
	XY Control			X and Y coordinate control	
	Preset CCTs	2800K	Dimmer	<000–255>	Selects preset color temperature, dimmer and hue
		2900K			
3000K					
3100K					
3200K					
3300K	Hue	<-25–25>			
3400K					
3500K					
3600K					

Main Level	Programming Levels			Description	
Static (cont.)	Preset CCTs (cont.)	3700K 3800K 3900K 4000K 4100K 4200K 4300K 4400K 4500K 4600K 4700K 4800K 4900K 5000K 5100K 5200K 5300K 5400K 5500K 5600K 5700K 6000K 6500K 7000K 7500K 8000K	Dimmer Hue	<000–255> <-25–25>	Selects preset color temperature, dimmer and hue
		Manual Color Mixer	Red Green Blue White	<000–255>	Combine red, green, blue, and white to make custom color (0–100%)
Effect Macros	Color Chase		<001–100>		Selects effect macro and speed
	Police Car				
	Firetruck				
	Fire				
	Clouds				
	Fireworks				
	Paparazzi				
	Lightning				
Red Shift	On				Enables or disables red shift
	Off				
Master/Slave	Master				Standalone mode
	Slave				
DMX Loss	Hold Last				Holds last signal received
	Stop DMX				
	Blackout				
Dimmer Curve	S Curve				Sets the dimmer curve
	Linear				
	Square				
	Inverse Square				
Dimmer Mode	Off				Instantaneous dimmer
	Dimmer 1–3				

QUICK REFERENCE GUIDE



EN

Main Level	Programming Levels		Description	
Color Calibration	Off		Color calibration off	
	User Calibration	Red	<125–255>	Sets maximum red LED value
		Green		Sets maximum green LED value
		Blue		Sets maximum blue LED value
		White		Sets maximum white LED value
Factory Calibration		Color calibration set by factory		
LED Frequency	600Hz 1200Hz 2000Hz 4000Hz 6000Hz 25KHz		Sets the Pulse Width Modulation frequency	
Fan Mode	Auto		Sets the fan to auto mode	
	On		Sets the fan to always on	
	Off		Sets the fan to always off	
	Silent		Sets the fan to silent	
Wireless Setting	Receive On/ Off	Off	Enables/disables CRMX™	
		On		
	Receive Reset	No	Resets wireless receiver	
		Yes		
Wireless To DMX	No	Enables/disables wireless to DMX		
	Yes			
Back Light	10S		Turns off display backlight after 10 seconds of inactivity	
	30S		Turns off display backlight after 30 seconds	
	2Min		Turns off display backlight after 2 minutes of	
	Always On		Display backlight always on	
Ethernet Setting	Universe	000–255 (Art-net™)	Sets the Art-Net™ or sACN universe	
	Start Channel	001–256 (sACN)		
	IP Address	001–512		Sets the IP address
		2	000–255 . 000–255 . 000–255	
		10		
239				
Ethernet To DMX	No		Enables/disables Ethernet to DMX	
	Yes			
Information	Fixture Hours	<_ _ _ _ _H>	Shows total hours the product has been powered on	
	LED Hours	<_ _ _ _ _H>	Shows total hours the LEDs have been powered on	
	Disp Version	<V_ _ _ _>	Shows current display version	
	Drv Version	<V_ _ _ _>	Shows current driver version	
	Net Version	<V_ _ _ _>	Shows current net version	
	Humidity	<_ _ %>	Shows current product humidity	
	UID	21A40139_ _ _ _	Shows product UID	
Update Firmware	Only This Unit	_ _ _ _ _ .CHL	Selects an update file for this product, or shows “No such file!”	
		...		
	Multiple Units	_ _ _ _ _ .CHL	Selects an update file for this and connected onAir IP Panel 2 products, or shows “No such file!”	
		...		
	Other Fixture Type	_ _ _ _ _ .CHL	Selects an update file for other connected products, or shows “No such file!”	
		...		
Factory Reset	No		Resets the product to factory default settings	
	Yes			

DMX Values
XYExtended(10)

Channel	Function	Value	Percent/Setting
1	Dimmer	000 ⇔ 255	0–100%
2	Fine dimmer	000 ⇔ 255	0–100%
3	X coordinate	000 ⇔ 255	0–100%
4	Fine X coordinate	000 ⇔ 255	0–100%
5	Y coordinate	000 ⇔ 255	0–100%
6	Fine Y coordinate	000 ⇔ 255	0–100%
7	Strobe	000 ⇔ 010 011 ⇔ 255	No function Strobe, slow to fast
8	Effect macros	000 ⇔ 255	See the Effect Macros Chart
9	Effect macro speed	000 ⇔ 255	Speed, slow to fast
10	Control	000 ⇔ 255	See the Control Chart

XYBasic(6)

Channel	Function	Value	Percent/Setting
1	Dimmer	000 ⇔ 255	0–100%
2	Fine dimmer	000 ⇔ 255	0–100%
3	X coordinate	000 ⇔ 255	0–100%
4	Fine X coordinate	000 ⇔ 255	0–100%
5	Y coordinate	000 ⇔ 255	0–100%
6	Fine Y coordinate	000 ⇔ 255	0–100%

32Ch

Channel	Function	Value	Percent/Setting
1	Red 1	000 ⇔ 255	0–100%
2	Fine red 1	000 ⇔ 255	0–100%
3	Green 1	000 ⇔ 255	0–100%
4	Fine green 1	000 ⇔ 255	0–100%
5	Blue 1	000 ⇔ 255	0–100%
6	Fine blue 1	000 ⇔ 255	0–100%
7	White 1	000 ⇔ 255	0–100%
8	Fine white 1	000 ⇔ 255	0–100%
9	Red 2	000 ⇔ 255	0–100%
10	Fine red 2	000 ⇔ 255	0–100%
11	Green 2	000 ⇔ 255	0–100%
12	Fine green 2	000 ⇔ 255	0–100%
13	Blue 2	000 ⇔ 255	0–100%
14	Fine blue 2	000 ⇔ 255	0–100%
15	White 2	000 ⇔ 255	0–100%
16	Fine white 2	000 ⇔ 255	0–100%
17	Red 3	000 ⇔ 255	0–100%
18	Fine red 3	000 ⇔ 255	0–100%
19	Green 3	000 ⇔ 255	0–100%
20	Fine green 3	000 ⇔ 255	0–100%
21	Blue 3	000 ⇔ 255	0–100%
22	Fine blue 3	000 ⇔ 255	0–100%
23	White 3	000 ⇔ 255	0–100%
24	Fine white 3	000 ⇔ 255	0–100%
25	Red 4	000 ⇔ 255	0–100%
26	Fine red 4	000 ⇔ 255	0–100%
27	Green 4	000 ⇔ 255	0–100%

QUICK REFERENCE GUIDE



EN

Channel	Function	Value	Percent/Setting
28	Fine green 4	000 ⇔ 255	0–100%
29	Blue 4	000 ⇔ 255	0–100%
30	Fine blue 4	000 ⇔ 255	0–100%
31	White 4	000 ⇔ 255	0–100%
32	Fine white 4	000 ⇔ 255	0–100%

23Ch

Channel	Function	Value	Percent/Setting
1	Dimmer	000 ⇔ 255	0–100%
2	Red 1	000 ⇔ 255	0–100%
3	Green 1	000 ⇔ 255	0–100%
4	Blue 1	000 ⇔ 255	0–100%
5	White 1	000 ⇔ 255	0–100%
6	Red 2	000 ⇔ 255	0–100%
7	Green 2	000 ⇔ 255	0–100%
8	Blue 2	000 ⇔ 255	0–100%
9	White 2	000 ⇔ 255	0–100%
10	Red 3	000 ⇔ 255	0–100%
11	Green 3	000 ⇔ 255	0–100%
12	Blue 3	000 ⇔ 255	0–100%
13	White 3	000 ⇔ 255	0–100%
14	Red 4	000 ⇔ 255	0–100%
15	Green 4	000 ⇔ 255	0–100%
16	Blue 4	000 ⇔ 255	0–100%
17	White 4	000 ⇔ 255	0–100%
18	Strobe	000 ⇔ 010 011 ⇔ 255	No function Strobe, slow to fast
19	Color temperature	000 ⇔ 255	See the Color Temperature Chart
20	Hue	000 ⇔ 001 002 ⇔ 255	0 -25–+25
21	Effect macros	000 ⇔ 255	See the Effect Macros Chart
22	Effect macro speed	000 ⇔ 255	Speed, slow to fast
23	Control	000 ⇔ 255	See the Control Chart

18Ch

Channel	Function	Value	Percent/Setting
1	Dimmer	000 ⇔ 255	0–100%
2	Red 1	000 ⇔ 255	0–100%
3	Green 1	000 ⇔ 255	0–100%
4	Blue 1	000 ⇔ 255	0–100%
5	White 1	000 ⇔ 255	0–100%
6	Red 2	000 ⇔ 255	0–100%
7	Green 2	000 ⇔ 255	0–100%
8	Blue 2	000 ⇔ 255	0–100%
9	White 2	000 ⇔ 255	0–100%
10	Red 3	000 ⇔ 255	0–100%
11	Green 3	000 ⇔ 255	0–100%
12	Blue 3	000 ⇔ 255	0–100%
13	White 3	000 ⇔ 255	0–100%
14	Red 4	000 ⇔ 255	0–100%
15	Green 4	000 ⇔ 255	0–100%
16	Blue 4	000 ⇔ 255	0–100%

Channel	Function	Value	Percent/Setting
17	White 4	000 ⇔ 255	0–100%
18	Strobe	000 ⇔ 010	No function
		011 ⇔ 255	Strobe, slow to fast

16Ch

Channel	Function	Value	Percent/Setting
1	Red 1	000 ⇔ 255	0–100%
2	Green 1	000 ⇔ 255	0–100%
3	Blue 1	000 ⇔ 255	0–100%
4	White 1	000 ⇔ 255	0–100%
5	Red 2	000 ⇔ 255	0–100%
6	Green 2	000 ⇔ 255	0–100%
7	Blue 2	000 ⇔ 255	0–100%
8	White 2	000 ⇔ 255	0–100%
9	Red 3	000 ⇔ 255	0–100%
10	Green 3	000 ⇔ 255	0–100%
11	Blue 3	000 ⇔ 255	0–100%
12	White 3	000 ⇔ 255	0–100%
13	Red 4	000 ⇔ 255	0–100%
14	Green 4	000 ⇔ 255	0–100%
15	Blue 4	000 ⇔ 255	0–100%
16	White 4	000 ⇔ 255	0–100%

15Ch

Channel	Function	Value	Percent/Setting
1	Dimmer	000 ⇔ 255	0–100%
2	Fine dimmer	000 ⇔ 255	0–100%
3	Red	000 ⇔ 255	0–100%
4	Fine red	000 ⇔ 255	0–100%
5	Green	000 ⇔ 255	0–100%
6	Fine green	000 ⇔ 255	0–100%
7	Blue	000 ⇔ 255	0–100%
8	Fine blue	000 ⇔ 255	0–100%
9	White	000 ⇔ 255	0–100%
10	Fine white	000 ⇔ 255	0–100%
11	Strobe	000 ⇔ 010	No function
		011 ⇔ 255	Strobe, slow to fast
12	Color temperature	000 ⇔ 255	See the Color Temperature Chart
13	Hue	000 ⇔ 001	0
		002 ⇔ 255	-25–+25
14	Effect macros	000 ⇔ 255	See the Effect Macros Chart
15	Effect macro speed	000 ⇔ 255	Speed, slow to fast

11Ch

Channel	Function	Value	Percent/Setting
1	Dimmer	000 ⇔ 255	0–100%
2	Red	000 ⇔ 255	0–100%
3	Green	000 ⇔ 255	0–100%
4	Blue	000 ⇔ 255	0–100%
5	White	000 ⇔ 255	0–100%

QUICK REFERENCE GUIDE



EN

Channel	Function	Value	Percent/Setting
6	Strobe	000 ⇔ 010	No function
		011 ⇔ 255	Strobe, slow to fast
7	Color temperature	000 ⇔ 255	See the Color Temperature Chart
8	Hue	000 ⇔ 001	0
		002 ⇔ 255	-25–+25
9	Effect macros	000 ⇔ 255	See the Effect Macros Chart
10	Effect macro speed	000 ⇔ 255	Speed, slow to fast
11	Control	000 ⇔ 255	See the Control Chart

8Ch

Channel	Function	Value	Percent/Setting
1	Red	000 ⇔ 255	0–100%
2	Fine red	000 ⇔ 255	0–100%
3	Green	000 ⇔ 255	0–100%
4	Fine green	000 ⇔ 255	0–100%
5	Blue	000 ⇔ 255	0–100%
6	Fine blue	000 ⇔ 255	0–100%
7	White	000 ⇔ 255	0–100%
8	Fine white	000 ⇔ 255	0–100%

6Ch

Channel	Function	Value	Percent/Setting
1	Dimmer	000 ⇔ 255	0–100%
2	Red	000 ⇔ 255	0–100%
3	Green	000 ⇔ 255	0–100%
4	Blue	000 ⇔ 255	0–100%
5	White	000 ⇔ 255	0–100%
6	Strobe	000 ⇔ 010	No function
		011 ⇔ 255	Strobe, slow to fast

5Ch

Channel	Function	Value	Percent/Setting
1	Dimmer	000 ⇔ 255	0–100%
2	Fine dimmer	000 ⇔ 255	0–100%
3	Color temperature	000 ⇔ 255	See the Color Temperature Chart
4	Hue	000 ⇔ 001	0
		002 ⇔ 255	-25–+25
5	Strobe	000 ⇔ 010	No function
		011 ⇔ 255	Strobe, slow to fast

4Ch

Channel	Function	Value	Percent/Setting
1	Red	000 ⇔ 255	0–100%
2	Green	000 ⇔ 255	0–100%
3	Blue	000 ⇔ 255	0–100%
4	White	000 ⇔ 255	0–100%

3Ch

Channel	Function	Value	Percent/Setting
1	Dimmer	000 ⇔ 255	0–100%
2	Color temperature	000 ⇔ 255	See the Color Temperature Chart
3	Hue	000 ⇔ 001	0
		002 ⇔ 255	-25–+25

1Ch

Channel	Function	Value	Percent/Setting
1	Dimmer	000 ⇔ 255	0–100%

Effect Macros Chart

Value	Percent/Setting	Value	Percent/Setting
000 ⇔ 010	No function	126 ⇔ 154	Clouds
011 ⇔ 039	Color chase	155 ⇔ 182	Fireworks
040 ⇔ 068	Police car	183 ⇔ 211	Paparazzi
069 ⇔ 096	Firetruck	212 ⇔ 240	Lightning
097 ⇔ 125	Fire	241 ⇔ 255	No function

Control Chart

Value	Percent/Setting	Value	Percent/Setting
000 ⇔ 007	No function	072 ⇔ 079	Dimmer mode 1 (fast)
008 ⇔ 015	Reset dimmer	080 ⇔ 087	Dimmer mode 2
016 ⇔ 023	Red shift on	088 ⇔ 095	Dimmer mode 3 (slow)
024 ⇔ 031	Red shift off	096 ⇔ 103	Fan mode auto
032 ⇔ 039	S-curve dimmer	104 ⇔ 111	Fan mode on
040 ⇔ 047	Linear dimmer	112 ⇔ 119	Fan mode off
048 ⇔ 055	Square dimmer	120 ⇔ 127	Fan mode silent
056 ⇔ 063	Inverse square dimmer	128 ⇔ 255	Reserved for future use
064 ⇔ 071	Dimmer mode off		

Color Temperature Chart

Value	Percent/Setting	Value	Percent/Setting
000 ⇔ 005	No function	125 ⇔ 131	4500K
006 ⇔ 012	2800K	132 ⇔ 138	4600K
013 ⇔ 019	2900K	139 ⇔ 145	4700K
020 ⇔ 026	3000K	146 ⇔ 152	4800K
027 ⇔ 033	3100K	153 ⇔ 159	4900K
034 ⇔ 040	3200K	160 ⇔ 166	5000K
041 ⇔ 047	3300K	167 ⇔ 173	5100K
048 ⇔ 054	3400K	174 ⇔ 180	5200K
055 ⇔ 061	3500K	181 ⇔ 187	5300K
062 ⇔ 068	3600K	188 ⇔ 194	5400K
069 ⇔ 075	3700K	195 ⇔ 201	5500K
076 ⇔ 082	3800K	202 ⇔ 208	5600K
083 ⇔ 089	3900K	209 ⇔ 215	5700K
090 ⇔ 096	4000K	216 ⇔ 222	6000K
097 ⇔ 103	4100K	223 ⇔ 229	6500K
104 ⇔ 110	4200K	230 ⇔ 236	7000K
111 ⇔ 117	4300K	237 ⇔ 243	7500K
118 ⇔ 124	4400K	244 ⇔ 255	8000K

Acerca de Esta Guía

La Guía de Referencia Rápida (GRR) del onAir IP Panel 2 contiene información básica sobre el producto, como montaje, opciones de menú y valores DMX. Descargue el Manual de Usuario de www.chauvetprofessional.com para información más detallada.

Exención de Responsabilidad

La información y especificaciones contenidas en esta GRR están sujetas a cambio sin previo aviso.

GARANTÍA LIMITADA

PARA VER EL REGISTRO DE GARANTÍA Y LOS TÉRMINOS Y CONDICIONES COMPLETOS, VISITE NUESTRO SITIO WEB.

Para clientes en los Estados Unidos y México: www.chauvetlighting.com/warranty-registration.

Para clientes en Reino Unido, República de Irlanda, Bélgica, Países Bajos, Luxemburgo, Francia y Alemania: www.chauvetlighting.eu/warranty-registration.

Chauvet garantiza que este producto estará libre de defectos de material y mano de obra en condiciones de uso normales, durante el periodo especificado, sujeto siempre a las exclusiones y limitaciones establecidas en la garantía limitada completa de nuestro sitio web. Esta garantía se concede únicamente al comprador original del producto y no es transferible. Para ejercer los derechos que otorga esta garantía, usted debe proporcionar una prueba de compra en forma de un recibo de compra original, expedido por un distribuidor autorizado, donde figure el nombre del producto y la fecha de compra. NO EXISTEN OTRAS GARANTÍAS EXPRESAS NI IMPLÍCITAS. Esta garantía le otorga derechos legales específicos. Es posible que a usted le asistan otros derechos, que variarán dependiendo del estado o del país. Esta garantía solamente es válida en los Estados Unidos, Reino Unido, República de Irlanda, Bélgica, Países Bajos, Luxemburgo, Francia, Alemania y México. Para conocer los términos de garantía en otros países, consulte a su distribuidor local.

Notas de Seguridad

- La luminaria debe colocarse de forma que no sea previsible que se mire fijamente hacia ella a una distancia menor de 19,7" (50 cm).
- Si se daña el cable externo flexible de esta luminaria, se sustituirá con un cable especial o con un cable disponible exclusivamente a través del fabricante o de su agente de servicio técnico.
- Solo el fabricante, su agente de servicio o un técnico de similar cualificación podrán reemplazar la fuente de luz contenida en esta luminaria.
- La luminaria está destinada exclusivamente a un uso profesional.
- NO abra este producto. No contiene piezas reparables por el usuario.
- NO mire a la fuente de luz cuando el producto esté encendido.
- Para evitar un desgaste innecesario y alargar su vida útil, desconecte complemente el producto de la alimentación, mediante el interruptor o desenchufándolo, durante los periodos en los que no se use.
- CUIDADO: La carcasa de este producto está caliente cuando las luces están en funcionamiento.
- Monte este producto en una ubicación con ventilación adecuada, al menos a 20" (50 cm) de superficies adyacentes.
- NO deje ningún material inflamable a menos de 7,87" (20 cm) de este producto mientras esté funcionando o conectado a la alimentación.
- Cuidado: cuando transfiera el producto desde ambientes con temperatura extrema (p. ej., del remolque frío de un camión a una sala de baile con calor y humedad), puede formarse condensación en la electrónica interna del producto. Para evitar que se produzca una avería, deje que el producto se aclimate completamente al ambiente antes de conectar la alimentación.
- USE un cable de seguridad cuando monte este producto en lo alto.
- NO sumerja este producto (IP65). La operación temporal en exteriores es correcta.
- NO ponga en funcionamiento este producto si sospecha que la carcasa, lentes o cables están dañados.
- NO conecte este producto a un atenuador o reostato.
- Conecte este producto SOLO a un circuito con toma de tierra y protegido.
- Use SOLAMENTE los soportes de colgar/montar o las asas para mover este producto.
- En caso de un problema grave de funcionamiento, deje de usarlo inmediatamente.
- La máxima temperatura ambiente es de 113 °F (45 °C). No haga funcionar este producto a temperaturas más altas.
- La temperatura de inicio máxima es de -4 °F (-20 °C). No ponga en funcionamiento el producto a temperaturas más bajas.
- La temperatura ambiente mínima es de -22 °F (-30 °C). No haga funcionar el producto a temperaturas más bajas.

Cumplimiento de la FCC

Este dispositivo cumple la parte 15, parte B de las normas FCC. El funcionamiento está supeditado al cumplimiento de estas dos condiciones:

1. Este dispositivo no puede causar interferencias perjudiciales; y
2. Este dispositivo debe aceptar cualquier interferencia recibida, incluyendo las interferencias que puedan causar un funcionamiento no deseado.

Cualquier cambio o modificación que no haya sido expresamente autorizado por la parte responsable de conformidad puede anular la potestad del usuario para hacer funcionar el equipo.

Advertencia de exposición a RF para América del Norte y Australia

¡Advertencia! Este equipo cumple los límites FCC de exposición a radiación establecidos para un entorno no controlado. Este equipo debe instalarse y manejarse con una distancia mínima de 20 cm entre el radiador y su cuerpo. Este transmisor no se debe situar junto a ninguna otra antena o transmisor ni hacerse funcionar en combinación con ellos.

Contacto

Fuera de EE. UU., Reino Unido, Irlanda, Benelux, Francia, Alemania o México póngase en contacto con su distribuidor para solicitar asistencia o devolver un producto. Consulte [Contact Us](#) al final de este GRR para información de contacto.

Qué va Incluido

- 4 onAir IP Panel 2
- Cable de Seetronic Powerkon IP65
- Soporte omega con materiales de montaje
- Pin junior
- Guía de Referencia Rápida

Corriente Alterna

Este producto tiene una fuente de alimentación con detección automática que puede funcionar con un rango de tensión de entrada de 100 a 240 V~, 50/60 Hz.

Alimentación en cadena

Puede enlazar hasta 3 productos onAir IP Panel 2 a 100 V, 4 productos a 120 V, 7 productos a 208 V, 8 productos a 230 V o 8 productos a 240 V. Los cables de alimentación en cadena se pueden adquirir por separado.

Enchufe CA

Conexión	Cable (EE.UU.)	Cable (Europa)	Color del tornillo
CA Cargado	Negro	Marrón	Amarillo/Latón
CA Neutro	Blanco	Azul	Plata
CA Tierra	Verde/Amarillo	Verde/Amarillo	Verde

Corriente continua

Este producto dispone de un puerto de entrada XLR IP65 de 3 pines que funciona con una tensión de entrada de 28 V CC, la cual es tensión SELV suministrada por una fuente de alimentación con protección contra cortocircuitos.



Si entra en el producto al mismo tiempo alimentación de CA y CC, el producto dará prioridad inmediatamente a la entrada de alimentación de CA.



Para evitar un desgaste innecesario y alargar su vida útil, desconecte completamente el producto de la alimentación, mediante el interruptor o desenchufándolo, durante los periodos en los que no se use.

Conexiones de señal

Puede enlazar el onAir IP Panel 2 a un controlador o software controlador usando una conexión DMX cableada, una conexión CRMX™ de Lumenradio inalámbrica o una conexión Ethernet. Si está usando otros productos compatibles con Art-Net™ o sACN, el onAir IP Panel 2 puede controlar cada uno individualmente en una sola red. Consulte el Manual de usuario para obtener información sobre cómo conectar y configurar el producto para estas señales.

Personalidades de control

El onAir IP Panel 2 usa DMX, CRMX™, Art-Net™ y sACN-Net para sus personalidades de control: **1Ch, 3Ch, 4Ch, 5Ch, 6Ch, 8Ch, 11Ch, 15Ch, 16Ch, 18Ch, 23Ch, 32Ch, XYBasic(6), y XYExtended(10).**

Conexión DMX

El onAir IP Panel 2 funcionará con un controlador DMX usando una conexión serie DMX de 5 pines o una conexión CRMX™ inalámbrica. Hay un Manual DMX disponible en www.chauvetprofessional.com.

Conexión Art-Net™

Art-Net™ es un protocolo Ethernet que utiliza TCP/IP para transferir gran cantidad de datos DMX512 usando una conexión etherCON RJ45 sobre una red de gran tamaño. Hay disponible un documento sobre el protocolo Art-Net™ desde www.chauvetprofessional.com. Chauvet Professional recomienda la utilización de modo Unicast para mejores resultados. Art-Net™ diseñado y copyright por Artistic Licence Holdings Ltd.

Conexión sACN

También conocido como ANSI E1.31, el streaming ACN es un protocolo Ethernet que usa las capas y formato de Architecture for Control Networks (arquitectura para redes de control) para transportar datos DMX512 sobre IP o cualquier otra red compatible con ACN.

RDM (gestión remota del dispositivo)

Remote Device Management (gestión remota del dispositivo) o RDM, es un estándar que permite a los dispositivos con capacidad DMX una comunicación bidireccional por un cableado DMX existente. El onAir IP Panel 2 admite protocolo RDM, que posibilita información para supervisar cambiar las opciones del mapa de menú. Descargue el manual de usuario de www.chauvetprofessional.com para una información más detallada.

Actualización de software USB

El onAir IP Panel 2 permite la actualización de software por USB utilizando el puerto USB incorporado. Para actualizar el software utilizando una unidad USB, haga lo siguiente:

1. Encienda el aparato y conecte la unidad USB al puerto USB.
2. Una vez detectada la unidad, aparecerá el mensaje "Upgrade Firmware (Actualizar firmware)". Pulse <ENTER>.
 - Si aparece un mensaje diferente en la pantalla, busque el software actualizado en el menú (**Update Firmware**) y seleccione de **Only This Unit, Multiple Units** o **Other Fixture Type**. Se mostrará una lista de los archivos de software actualizados.
3. Seleccione el archivo que necesite cargarse. Aparecerá el mensaje "Are you sure? (¿Está seguro?)". Pulse <ENTER>.
4. Si el archivo seleccionado es correcto, se completará la mejora. Reinicie el aparato.
 - Si el archivo seleccionado es incorrecto, la mejora fallará y la pantalla volverá a la interfaz principal. Repita los pasos 1–3 utilizando el archivo correcto.



El archivo con formato .chl tiene que colocarse en la carpeta "ONAIR" en la unidad USB.



La opción "Other Fixture Type" solo se puede seleccionar para productos conectados compatibles con la Upload 03 (los primeros 2 dígitos del código del artículo deben ser 03).

Funcionamiento inalámbrica

En condiciones óptimas, el onAir IP Panel 2 puede funcionar a una distancia de hasta 300 m (900 ft) del transmisor CRMX™. El receptor CRMX™ del onAir IP Panel 2 tiene que estar emparejado con el transmisor CRMX™ para el funcionamiento inalámbrica.

Configuración inicial

1. Encienda el transmisor CRMX™.
2. Conecte el transmisor CRMX™ a un controlador DMX.
3. Sitúe el onAir IP Panel 2 a una distancia de hasta 300 m del transmisor CRMX™.
4. Encienda el onAir IP Panel 2.

Configuración

1. Desde el panel de control del onAir IP Panel 2 vaya a **DMX Address**.
2. Seleccione la dirección de inicio, al igual que con cualquier otro producto compatible con DMX.
3. Vaya a **Wireless Setting > Receive On/Off**.
4. Seleccione **On**. (en el indicador de potencia de señal aparecerá una ? delante de las barras)
5. Pulse el botón de reinicio del transmisor W-DMX. (en el indicador de potencia de señal del onAir IP Panel 2 aparecerá 4 delante de las barras durante 3 segundos mientras se establece la conexión.)

Emparejamiento de productos

Si el onAir IP Panel 2 ya se ha emparejado con el transmisor CRMX™, el indicador de potencia de señal en la parte superior de la pantalla mostrará la potencia de la señal. En este caso, el onAir IP Panel 2 está listo para funcionar en modo inalámbrica.

Emparejar el onAir IP Panel 2 con un nuevo transmisor CRMX™

1. Desde el panel de control del onAir IP Panel 2's vaya a **Wireless Setting > Receive Reset**.
2. Seleccione **Yes**.
3. Desde el transmisor CRMX™, pulse **<RESET>**. El indicador de señal del transmisor parpadeara.
4. Una vez que el transmisor haya encontrado el onAir IP Panel 2, el indicador de señal del transmisor CRMX™ se iluminara de forma constante.
5. La pantalla del onAir IP Panel 2 mostrará la intensidad de la señal.

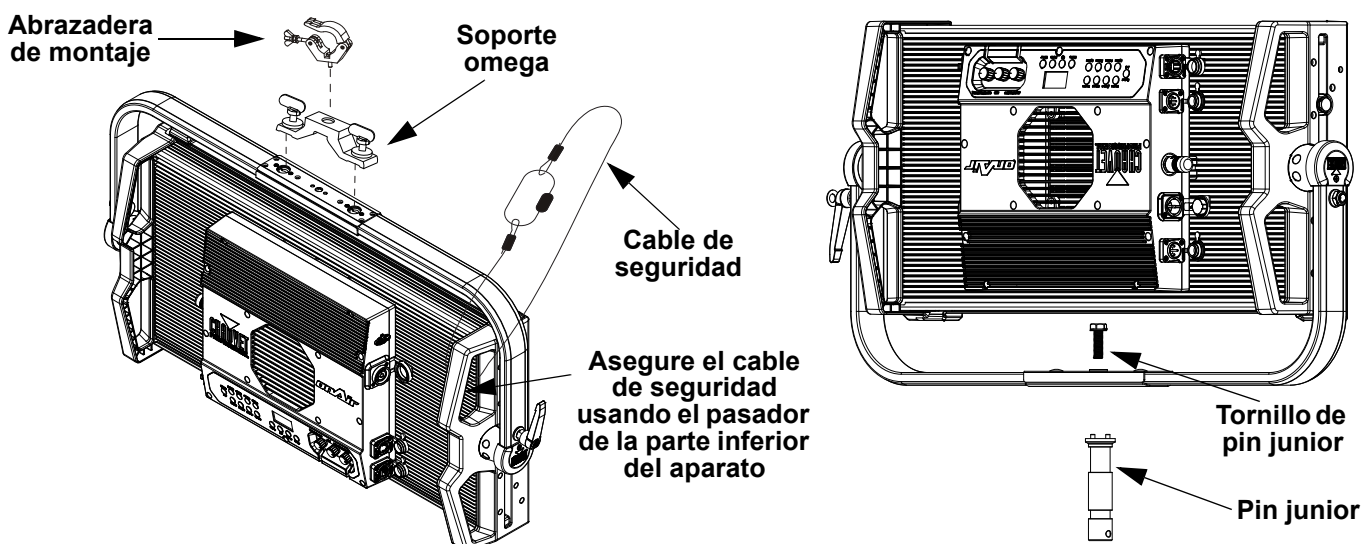


Masas líquidas entre el transmisor y el receptor, como agua, nieve o personas, pueden interrumpir o impedir el funcionamiento por CRMX™. Para mejores resultados, mantenga la zona entre el transmisor y el receptor sin ninguna masa líquida.

Montaje

Antes de montar este producto, lea las [Notas de Seguridad](#). Asegúrese de que las abrazaderas de montaje son capaces de soportar el peso del producto. Para nuestra línea Chauvet de abrazaderas de montaje, visite <http://trusst.com/productcategory/truss-clamps/>.

Diagrama de Montaje del Producto



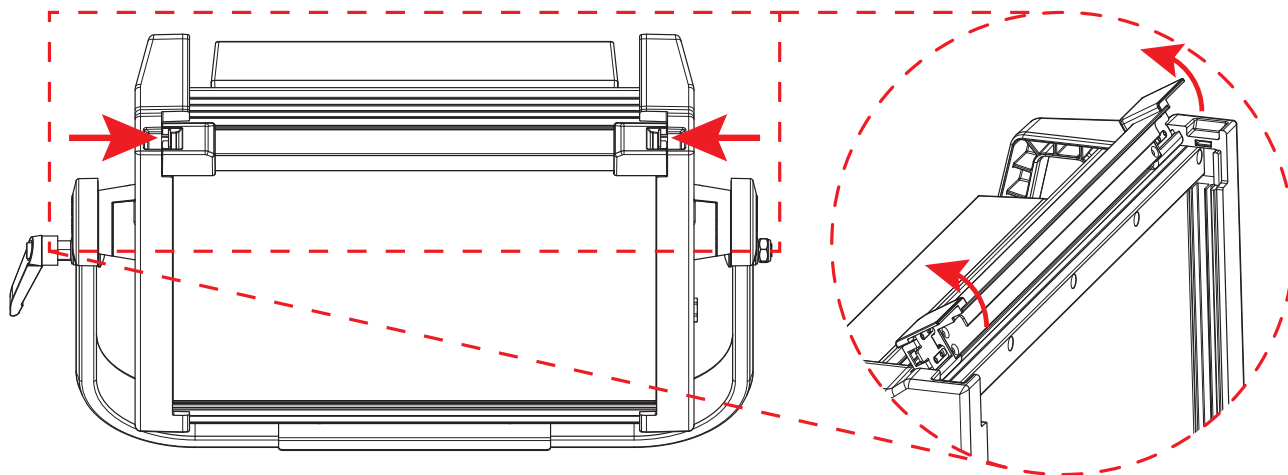
Ranuras de accesorios

El onAir IP Panel 2 tiene 2 ranuras de accesorios a las que se puede acceder presionando hacia adentro las pestañas de las ranuras de accesorios y abriendo la tapa articulada de la ranura de accesorios.



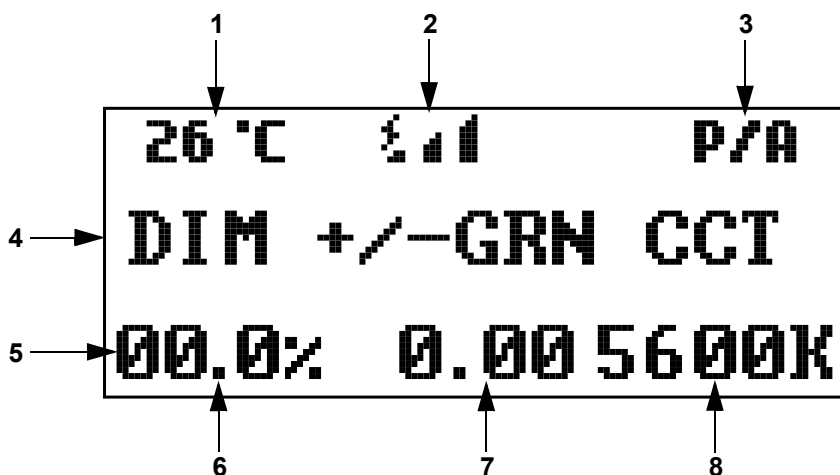
- No lo utilice si se ha retirado el difusor. El difusor no se puede quitar mientras el aparato está encendido.
- Para luminarias de montaje fijo, el grupo de riesgo no debe superar RG1 a la distancia a la que se obtienen 500 lux.

- La ranura posterior es para un difusor o intensificador.
- La ranura delantera es para accesorios como estructuras aplanadas o viseras.



Pantalla de inicio

La pantalla de inicio del onAir IP Panel 2 muestra la configuración actual y el estado del producto.



Numero	Descripción
1	Temperatura actual del producto
2	Estado actual de la señal inalámbrica
3	Preconfiguración o banco de preconfiguraciones actual
4	La línea del medio muestra el modo de control actual. Muestra "DIM +/-GRN CCT" en modo CCT, "DIM HUE SAT" en modo HSV, "DIM X Y" en modo XY Control, "Master Mode" en modo Maestro, "Slave Mode" en modo Esclavo, etc.
5	La línea inferior muestra detalles del modo de control actual
6	Valor actual de atenuador o intensidad (00.0–100%) en modo CCT, HSV, o XY Control
7	Valor actual de +/- verde (-0,25–+0,25) en modo CCT, valor de tono (000–360) en modo HSV), o valor de X (0.00–0.850) en modo XY Control
8	Temperatura de color actual (2800–8000 K) en modo CCT, valor de saturación (000–255) en modo HSV, o valor de Y (0.00–0.850) en modo XY Control

Descripción del Panel de Control

Botón/mando	Función
<MENU>	Sale del menú o función actual
<ENTER>	Habilita el menú actual o configura el valor seleccionado actualmente dentro de la función seleccionada
<UP>	Navega hacia arriba por la lista de menú o aumenta el valor numérico cuando está en una función
<DOWN>	Navega hacia abajo por la lista de menú o disminuye el valor numérico cuando está en una función
<DIM/INTENSITY>	Aumenta o disminuye el valor del atenuador o la intensidad
<HUE>	Aumenta o disminuye el valor del tono o el valor X
<CCT/SATURATION>	Aumenta o disminuye la temperatura de color, la saturación, o el valor Y
<PRESET A/B>	Cambia entre las preconfiguraciones A (integradas) y las preconfiguraciones B (personalizadas)
<PRESET> (x8)	Selecciona una preconfiguración. Mantenga pulsado 3 segundos para guardar la apariencia actual a la preconfiguración B seleccionada.

Mapa de Menú

Consulte la página del producto onAir IP Panel 2 en www.chauvetprofessional.com para ver el último mapa de menú.

Nivel Principal	Niveles de Programación			Descripción		
Protocol	DMX512			Selecciona el protocolo de control		
	Artnet					
	sACN					
DMX Address	001–509*			Selecciona la dirección de inicio (*canal más alto restringido a la elección de personalidad)		
DMX Channel	1Ch	Preset CCTs	Hue	<-25–25>	1 canal: selecciona una CCT y tono	
		Manual Color Mixer	Red	<000–255>		1 canal: combina rojo, verde, azul y blanco para generar un color personalizado (0–100%)
			Green	<000–255>		
			Blue	<000–255>		
	White		<000–255>			
	3Ch			3 canales: atenuador, temperatura de color, tono		
	4Ch			4 canales: RGBW		
	5Ch			5 canales: atenuador de 16 bits, temperatura de color, tono, estroboscopio		
	6Ch			6 canales: atenuador, RGBW, estroboscopio		
	8Ch			8 canales: RGBW de 16 bits 1–4		
	11Ch			11 canales: atenuador de 16 bits, RGBW, estroboscopio, temperatura de color, tono, macros de efectos y velocidad		
	15Ch			15 canales: atenuador de 16 bits, RGBW de 16 bits, estroboscopio, temperatura de color, tono, macros de efectos y velocidad		
	16Ch			16 canales: RGBW 1–4		
	18Ch			18 canales: atenuador, RGBW 1–4 y estroboscopio		
	23Ch			23 canales: atenuador, RGBW 1–4, estroboscopio, temperatura de color, tono, macros de efectos y velocidad, control		
32Ch			32 canales: RGBW de 16 bits 1–4			
XYBasic(6)			6 canales: atenuador de 16 bits, X de 16 bits, Y de 16 bits			
XYExtended(10)			10 canales: atenuador de 16 bits, X de 16 bits, Y de 16 bits, estroboscopio, macros de efectos y velocidad, control			
Static	CCT Control			Control de temperatura de color correlacionado		
	HSV Control			Control de tono, saturación, valor		
	XY Control			Control coordinado X e Y		
	Preset CCTs	2800K	Dimmer Hue	<000–255> <-25–25>	Seleccionada una temperatura de color preestablecida, atenuador y tono	
		2900K				
		3000K				
		3100K				
3200K						
3300K						

Nivel Principal	Niveles de Programación			Descripción	
Static (cont.)	Preset CCTs (cont.)	3400K	Dimmer Hue	<000-255> <-25-25>	Seleccionada una temperatura de color preestablecida, atenuador y tono
		3500K			
		3600K			
		3700K			
		3800K			
		3900K			
		4000K			
		4100K			
		4200K			
		4300K			
		4400K			
		4500K			
		4600K			
		4700K			
		4800K			
		4900K			
		5000K			
		5100K			
		5200K			
		5300K			
		5400K			
		5500K			
		5600K			
5700K					
6000K					
6500K					
7000K					
7500K					
8000K					
	Manual Color Mixer	Red	<000-255>		Combina rojo, verde, azul y blanco para generar un color personalizado (0-100%)
		Green			
		Blue			
		White			
Effect Macros	Color Chase	<001-100>		Seleccionada un macro de efecto y velocidad	
	Police Car				
	Firetruck				
	Fire				
	Clouds				
	Fireworks				
	Paparazzi				
	Lightning				
Red Shift	On			Activa/desactiva el cambio a rojo	
	Off				
Master/Slave	Master			Modo autónomo	
	Slave				
DMX Loss	Hold Last			Mantiene la última señal recibida	
	Stop DMX				
	Blackout				
Dimmer Curve	S Curve			Configura la curva del atenuador	
	Linear				
	Square				
	Inverse Square				
Dimmer Mode	Off			Atenuador lineal	
	Dimmer 1-3				

Nivel Principal	Niveles de Programación		Descripción	
Color Calibration	Off		Desactiva el calibración de color	
	User Calibration	Red	<125–255>	Establece el valor máximo de LED rojo
		Green		Establece el valor máximo de LED verde
		Blue		Establece el valor máximo de LED azul
		White		Establece el valor máximo de LED blanco
Factory Calibration		La calibración del color configurada de fábrica		
LED Frequency	600Hz		Selecciona la frecuencia de emisión PWM	
	1200Hz			
	2000Hz			
	4000Hz			
	6000Hz			
	25KHz			
Fan Mode	Auto		Establece el ventilador a modo automático	
	On		Establece el ventilador a siempre encendido	
	Off		Establece el ventilador a siempre apagado	
	Silent		Establece el ventilador a silencioso	
Wireless Setting	Receive On/Off	Off	Activa/desactiva CRMX™	
		On		
	Receive Reset	No	Restablece el receptor inalámbrico	
		Yes		
Wireless To DMX	No	Activa/desactiva CRMX™ a DMX		
	Yes			
Back Light	10S		Retro-iluminación se apaga después de 10 segundos de inactividad	
	30S		Retro-iluminación se apaga después de 30 segundos	
	2Min		Retro-iluminación se apaga después de 2 minutos	
	Always On		Retro-iluminación de la pantalla siempre activa	
Ethernet Setting	Universe	000–255 (Art-net™)		Configura el universo de Art-Net™ o sACN
		001–256 (sACN)		
	Start Channel	001–512		Configura la canal de inicio
	IP Address	2	000–255 . 000–255 . 000–255	Configurar la dirección IP
		10		
	Ethernet To DMX	No		Activa/desactiva ethernet a DMX
Yes				
Information	Fixture Hours	<_ _ _ _ _H>		Muestra el nombre total de las horas del producto
	LED Hours	<_ _ _ _ _H>		Muestra el total de horas de LED
	Disp Version	<V_ _ _ >		Muestra instalada la versión de pantalla
	Drv Version	<V_ _ _ >		Muestra instalada la versión de controladora
	Net Version	<V_ _ _ >		Muestra instalada la versión de red
	Humidity	<_ _ _ %>		Muestra la humedad del producto actual
	UID	21A40139_ _ _ _ _		Muestra la UID del producto
Update Firmware	Only This Unit		_ _ _ _ _ .CHL	Muestra los archivos de actualización para este producto, o muestra “No such file!”
			...	
	Multiple Units		_ _ _ _ _ .CHL	Muestra los archivos de actualización para este producto y productos onAir IP Panel 2 conectados, o muestra “No such file!”
			...	
	Other Fixture Type		_ _ _ _ _ .CHL	Muestra los archivos de actualización para otros productos conectados, o muestra “No such file!”
			...	
Factory Reset	No		Reinicia a la configuración de fábrica	
	Yes			

Valores DMX
XYExtended(10)

Canal	Función	Valor	Porcentaje/Configuración
1	Atenuador	000 ⇔ 255	0–100%
2	Atenuador fino	000 ⇔ 255	0–100%
3	Coordinada X	000 ⇔ 255	0–100%
4	Coordinada X fino	000 ⇔ 255	0–100%
5	Coordinada Y	000 ⇔ 255	0–100%
6	Coordinada Y fino	000 ⇔ 255	0–100%
7	Estroboscopio	000 ⇔ 010 011 ⇔ 255	Sin función Estroboscopio, lento a rápido
8	Macros de efectos	000 ⇔ 255	Ver el Gráfico de macros de efectos
9	Velocidad de macro	000 ⇔ 255	Velocidad, lento a rápido
10	Control	000 ⇔ 255	Ver el Gráfico de control

XYBasic(6)

Canal	Función	Valor	Porcentaje/Configuración
1	Atenuador	000 ⇔ 255	0–100%
2	Atenuador fino	000 ⇔ 255	0–100%
3	Coordinada X	000 ⇔ 255	0–100%
4	Coordinada X fino	000 ⇔ 255	0–100%
5	Coordinada Y	000 ⇔ 255	0–100%
6	Coordinada Y fino	000 ⇔ 255	0–100%

32Ch

Canal	Función	Valor	Porcentaje/Configuración
1	Rojo 1	000 ⇔ 255	0–100%
2	Rojo fino 1	000 ⇔ 255	0–100%
3	Verde 1	000 ⇔ 255	0–100%
4	Verde fino 1	000 ⇔ 255	0–100%
5	Azul 1	000 ⇔ 255	0–100%
6	Azul fino 1	000 ⇔ 255	0–100%
7	Blanco 1	000 ⇔ 255	0–100%
8	Blanco fino 1	000 ⇔ 255	0–100%
9	Rojo 2	000 ⇔ 255	0–100%
10	Rojo fino 2	000 ⇔ 255	0–100%
11	Verde 2	000 ⇔ 255	0–100%
12	Verde fino 2	000 ⇔ 255	0–100%
13	Azul 2	000 ⇔ 255	0–100%
14	Azul fino 2	000 ⇔ 255	0–100%
15	Blanco 2	000 ⇔ 255	0–100%
16	Blanco fino 2	000 ⇔ 255	0–100%
17	Rojo 3	000 ⇔ 255	0–100%
18	Rojo fino 3	000 ⇔ 255	0–100%
19	Verde 3	000 ⇔ 255	0–100%
20	Verde fino 3	000 ⇔ 255	0–100%
21	Azul 3	000 ⇔ 255	0–100%
22	Azul fino 3	000 ⇔ 255	0–100%
23	Blanco 3	000 ⇔ 255	0–100%
24	Blanco fino 3	000 ⇔ 255	0–100%
25	Rojo 4	000 ⇔ 255	0–100%
26	Rojo fino 4	000 ⇔ 255	0–100%
27	Verde 4	000 ⇔ 255	0–100%

Canal	Función	Valor	Porcentaje/Configuración
28	Verde fino 4	000 ⇔ 255	0–100%
29	Azul 4	000 ⇔ 255	0–100%
30	Azul fino 4	000 ⇔ 255	0–100%
31	Blanco 4	000 ⇔ 255	0–100%
32	Blanco fino 4	000 ⇔ 255	0–100%

23Ch

Canal	Función	Valor	Porcentaje/Configuración
1	Atenuador	000 ⇔ 255	0–100%
2	Rojo 1	000 ⇔ 255	0–100%
3	Verde 1	000 ⇔ 255	0–100%
4	Azul 1	000 ⇔ 255	0–100%
5	Blanco 1	000 ⇔ 255	0–100%
6	Rojo 2	000 ⇔ 255	0–100%
7	Verde 2	000 ⇔ 255	0–100%
8	Azul 2	000 ⇔ 255	0–100%
9	Blanco 2	000 ⇔ 255	0–100%
10	Rojo 3	000 ⇔ 255	0–100%
11	Verde 3	000 ⇔ 255	0–100%
12	Azul 3	000 ⇔ 255	0–100%
13	Blanco 3	000 ⇔ 255	0–100%
14	Rojo 4	000 ⇔ 255	0–100%
15	Verde 4	000 ⇔ 255	0–100%
16	Azul 4	000 ⇔ 255	0–100%
17	Blanco 4	000 ⇔ 255	0–100%
18	Estroboscopio	000 ⇔ 010 011 ⇔ 255	Sin función Estroboscopio, lento a rápido
19	Temperatura de color	000 ⇔ 255	Ver el Gráfico de temperatura de color
20	Tono	000 ⇔ 001 002 ⇔ 255	0 -25–+25
21	Macros de efectos	000 ⇔ 255	Ver el Gráfico de macros de efectos
22	Velocidad de macro	000 ⇔ 255	Velocidad, lento a rápido
23	Control	000 ⇔ 255	Ver el Gráfico de control

18Ch

Canal	Función	Valor	Porcentaje/Configuración
1	Atenuador	000 ⇔ 255	0–100%
2	Rojo 1	000 ⇔ 255	0–100%
3	Verde 1	000 ⇔ 255	0–100%
4	Azul 1	000 ⇔ 255	0–100%
5	Blanco 1	000 ⇔ 255	0–100%
6	Rojo 2	000 ⇔ 255	0–100%
7	Verde 2	000 ⇔ 255	0–100%
8	Azul 2	000 ⇔ 255	0–100%
9	Blanco 2	000 ⇔ 255	0–100%
10	Rojo 3	000 ⇔ 255	0–100%
11	Verde 3	000 ⇔ 255	0–100%
12	Azul 3	000 ⇔ 255	0–100%
13	Blanco 3	000 ⇔ 255	0–100%
14	Rojo 4	000 ⇔ 255	0–100%
15	Verde 4	000 ⇔ 255	0–100%
16	Azul 4	000 ⇔ 255	0–100%

Canal	Función	Valor	Porcentaje/Configuración
17	Blanco 4	000 ⇔ 255	0–100%
18	Estroboscopio	000 ⇔ 010	Sin función
		011 ⇔ 255	Estroboscopio, lento a rápido

16Ch

Canal	Función	Valor	Porcentaje/Configuración
1	Rojo 1	000 ⇔ 255	0–100%
2	Verde 1	000 ⇔ 255	0–100%
3	Azul 1	000 ⇔ 255	0–100%
4	Blanco 1	000 ⇔ 255	0–100%
5	Rojo 2	000 ⇔ 255	0–100%
6	Verde 2	000 ⇔ 255	0–100%
7	Azul 2	000 ⇔ 255	0–100%
8	Blanco 2	000 ⇔ 255	0–100%
9	Rojo 3	000 ⇔ 255	0–100%
10	Verde 3	000 ⇔ 255	0–100%
11	Azul 3	000 ⇔ 255	0–100%
12	Blanco 3	000 ⇔ 255	0–100%
13	Rojo 4	000 ⇔ 255	0–100%
14	Verde 4	000 ⇔ 255	0–100%
15	Azul 4	000 ⇔ 255	0–100%
16	Blanco 4	000 ⇔ 255	0–100%

15Ch

Canal	Función	Valor	Porcentaje/Configuración
1	Atenuador	000 ⇔ 255	0–100%
2	Atenuador fino	000 ⇔ 255	0–100%
3	Rojo	000 ⇔ 255	0–100%
4	Rojo fino	000 ⇔ 255	0–100%
5	Verde	000 ⇔ 255	0–100%
6	Verde fino	000 ⇔ 255	0–100%
7	Azul	000 ⇔ 255	0–100%
8	Azul fino	000 ⇔ 255	0–100%
9	Blanco	000 ⇔ 255	0–100%
10	Blanco fino	000 ⇔ 255	0–100%
11	Estroboscopio	000 ⇔ 010	Sin función
		011 ⇔ 255	Estroboscopio, lento a rápido
12	Temperatura de color	000 ⇔ 255	Ver el Gráfico de temperatura de color
13	Tono	000 ⇔ 001	0
		002 ⇔ 255	-25–+25
14	Macros de efectos	000 ⇔ 255	Ver el Gráfico de macros de efectos
15	Velocidad de macro	000 ⇔ 255	Velocidad, lento a rápido

11Ch

Canal	Función	Valor	Porcentaje/Configuración
1	Atenuador	000 ⇔ 255	0–100%
2	Rojo	000 ⇔ 255	0–100%
3	Verde	000 ⇔ 255	0–100%
4	Azul	000 ⇔ 255	0–100%
5	Blanco	000 ⇔ 255	0–100%

ES

Canal	Función	Valor	Porcentaje/Configuración
6	Estroboscopio	000 ⇔ 010	Sin función
		011 ⇔ 255	Estroboscopio, lento a rápido
7	Temperatura de color	000 ⇔ 255	Ver el Gráfico de temperatura de color
8	Tono	000 ⇔ 001	0
		002 ⇔ 255	-25–+25
9	Macros de efectos	000 ⇔ 255	Ver el Gráfico de macros de efectos
10	Velocidad de macro	000 ⇔ 255	Velocidad, lento a rápido
11	Control	000 ⇔ 255	Ver el Gráfico de control

8Ch

Canal	Función	Valor	Porcentaje/Configuración
1	Rojo	000 ⇔ 255	0–100%
2	Rojo fino	000 ⇔ 255	0–100%
3	Verde	000 ⇔ 255	0–100%
4	Verde fino	000 ⇔ 255	0–100%
5	Azul	000 ⇔ 255	0–100%
6	Azul fino	000 ⇔ 255	0–100%
7	Blanco	000 ⇔ 255	0–100%
8	Blanco fino	000 ⇔ 255	0–100%

6Ch

Canal	Función	Valor	Porcentaje/Configuración
1	Atenuador	000 ⇔ 255	0–100%
2	Rojo	000 ⇔ 255	0–100%
3	Verde	000 ⇔ 255	0–100%
4	Azul	000 ⇔ 255	0–100%
5	Blanco	000 ⇔ 255	0–100%
6	Estroboscopio	000 ⇔ 010	Sin función
		011 ⇔ 255	Estroboscopio, lento a rápido

5Ch

Canal	Función	Valor	Porcentaje/Configuración
1	Atenuador	000 ⇔ 255	0–100%
2	Atenuador fino	000 ⇔ 255	0–100%
3	Temperatura de color	000 ⇔ 255	Ver el Gráfico de temperatura de color
4	Tono	000 ⇔ 001	0
		002 ⇔ 255	-25–+25
5	Estroboscopio	000 ⇔ 010	Sin función
		011 ⇔ 255	Estroboscopio, lento a rápido

4Ch

Canal	Función	Valor	Porcentaje/Configuración
1	Rojo	000 ⇔ 255	0–100%
2	Verde	000 ⇔ 255	0–100%
3	Azul	000 ⇔ 255	0–100%
4	Blanco	000 ⇔ 255	0–100%

3Ch

Canal	Función	Valor	Porcentaje/Configuración
1	Atenuador	000 ⇔ 255	0–100%
2	Temperatura de color	000 ⇔ 255	Ver el Gráfico de temperatura de color
3	Tono	000 ⇔ 001 002 ⇔ 255	0 -25–+25

1Ch

Canal	Función	Valor	Porcentaje/Configuración
1	Atenuador	000 ⇔ 255	0–100%

Gráfico de macros de efectos

Valor	Porcentaje/Configuración	Valor	Porcentaje/Configuración
000 ⇔ 010	Sin función	126 ⇔ 154	Nubes
011 ⇔ 039	Secuencia de color	155 ⇔ 182	Fuegos artificiales
040 ⇔ 068	Coche de policía	183 ⇔ 211	Paparazzi
069 ⇔ 096	Camión de bomberos	212 ⇔ 240	Relámpago
097 ⇔ 125	Fuego	241 ⇔ 255	Sin función

Gráfico de control

Valor	Porcentaje/Configuración	Valor	Porcentaje/Configuración
000 ⇔ 007	Sin función	072 ⇔ 079	Modo de atenuador 1 (lento)
008 ⇔ 015	Restablecer el atenuador	080 ⇔ 087	Modo de atenuador 2
016 ⇔ 023	Activa el cambio a rojo	088 ⇔ 095	Modo de atenuador 3 (rápido)
024 ⇔ 031	Desactiva el cambio a rojo	096 ⇔ 103	Modo ventilador automático
032 ⇔ 039	Atenuador S-curve	104 ⇔ 111	Modo ventilador encendido
040 ⇔ 047	Atenuador lineal	112 ⇔ 119	Modo ventilador apagado
048 ⇔ 055	Atenuador cuadrado	120 ⇔ 127	Modo ventilador silencioso
056 ⇔ 063	Atenuador cuadrado inverso	128 ⇔ 255	Reservado para uso futuro
064 ⇔ 071	Modo de atenuador apagado		

Gráfico de temperatura de color

Valor	Porcentaje/Configuración	Valor	Porcentaje/Configuración
000 ⇔ 005	Sin función	125 ⇔ 131	4500K
006 ⇔ 012	2800K	132 ⇔ 138	4600K
013 ⇔ 019	2900K	139 ⇔ 145	4700K
020 ⇔ 026	3000K	146 ⇔ 152	4800K
027 ⇔ 033	3100K	153 ⇔ 159	4900K
034 ⇔ 040	3200K	160 ⇔ 166	5000K
041 ⇔ 047	3300K	167 ⇔ 173	5100K
048 ⇔ 054	3400K	174 ⇔ 180	5200K
055 ⇔ 061	3500K	181 ⇔ 187	5300K
062 ⇔ 068	3600K	188 ⇔ 194	5400K
069 ⇔ 075	3700K	195 ⇔ 201	5500K
076 ⇔ 082	3800K	202 ⇔ 208	5600K
083 ⇔ 089	3900K	209 ⇔ 215	5700K
090 ⇔ 096	4000K	216 ⇔ 222	6000K
097 ⇔ 103	4100K	223 ⇔ 229	6500K
104 ⇔ 110	4200K	230 ⇔ 236	7000K
111 ⇔ 117	4300K	237 ⇔ 243	7500K
118 ⇔ 124	4400K	244 ⇔ 255	8000K

À Propos de ce Manuel

Le Manuel de Référence du onAir IP Panel 2 (MdR) reprend des informations de base sur cet appareil notamment en matière de montage, options de menu et valeurs DMX. Télécharger le Manuel d'Utilisation sur www.chauvetprofessional.com pour de plus amples informations.

Clause de Non-Responsabilité

Les informations et caractéristiques contenues dans ce manuel sont sujettes à changement sans préavis.

GARANTIE LIMITÉE

VEUILLEZ VISITER NOTRE SITE INTERNET POUR CONSULTER LES MODALITÉS D'ENREGISTREMENT DE LA GARANTIE ET LES CONDITIONS GÉNÉRALES COMPLÈTES.

Pour les clients aux États-Unis et au Mexique: www.chauvetlighting.com/warranty-registration.

Pour les clients du Royaume-Uni, de la République d'Irlande, de la Belgique, des Pays-Bas, du Luxembourg, de la France et de l'Allemagne: www.chauvetlighting.eu/warranty-registration.

Chauvet garantit que cet appareil est exempt de défauts de matériaux et de fabrication dans des conditions normales d'utilisation, pendant la période spécifiée dans la garantie limitée complète consultable sur notre site Internet et sous réserve des exclusions et limitations qui y sont énoncées. Cette garantie ne s'applique qu'à l'acheteur initial du produit et n'est pas transférable. Pour exercer les droits prévus par cette garantie, vous devez fournir une preuve d'achat sous la forme d'un reçu de vente original d'un revendeur autorisé qui indique le nom du produit et la date d'achat. IL N'EXISTE AUCUNE AUTRE GARANTIE EXPRESSE OU IMPLICITE. Cette garantie vous confère des droits légaux spécifiques. Vous pouvez également bénéficier d'autres droits qui varient selon les états et les pays. Cette garantie n'est valable qu'aux États-Unis, au Royaume-Uni, en République d'Irlande, en Belgique, aux Pays-Bas, au Luxembourg, en France, en Allemagne et au Mexique. Pour connaître les conditions de garantie dans d'autres pays, veuillez consulter votre revendeur local.

Consignes de Sécurité

- Le luminaire doit être placé de manière à ce qu'il ne soit pas possible de le regarder de manière fixe à une distance inférieure à 19,7 in (50 cm).
- Si le câble ou le cordon flexible externe de ce luminaire est endommagé, il doit être remplacé par un câble ou cordon spécial disponible exclusivement auprès du fabricant ou de son prestataire de service.
- La source lumineuse contenue dans ce luminaire ne peut être remplacée que par le fabricant ou son prestataire de service ou une personne suffisamment qualifiée.
- Ce luminaire est uniquement réservé à un usage professionnel.
- N'ouvrez PAS cet appareil. Il ne contient aucun composant susceptible d'être réparé par l'utilisateur.
- Ne regardez PAS la source lumineuse lorsque le produit fonctionne.
- Durant les périodes de non-utilisation, pour éviter toute usure inutile et pour prolonger la durée de vie, déconnectez entièrement l'appareil en le débranchant de l'alimentation électrique ou en coupant le disjoncteur.
- ATTENTION : le boîtier de cet appareil est brûlant lors du fonctionnement.
- Montez toujours cet appareil dans un endroit bien ventilé, à au moins, 20 pouces (50 cm) des surfaces adjacentes.
- Ne laissez AUCUNE source inflammable dans un rayon de 7,87 po (20 cm) de l'appareil lorsque celui-ci fonctionne.
- Attention : Lorsque l'appareil est transféré d'un environnement à température extrême à un autre (par exemple d'un camion froid vers une salle de bal chaude et humide), de la condensation peut se former sur les composants électriques internes. Pour éviter de causer des dommages, laissez l'appareil s'acclimater entièrement au milieu environnant avant de le mettre sous tension.
- Utilisez TOUJOURS un câble de sécurité lorsque vous montez cet appareil en hauteur.
- N'immergez PAS ce produit (IP65). Un usage temporaire en extérieur est autorisé.
- N'utilisez PAS cet appareil si le boîtier, les lentilles ou les câbles vous semblent endommagés.
- Ne connectez PAS cet appareil ni à un gradateur ni à un rhéostat.
- Connectez UNIQUEMENT cet appareil à un circuit protégé et relié à la terre.
- Transportez ce produit UNIQUEMENT au moyen de la poignée ou lyre de suspension.
- En cas de sérieux problèmes de fonctionnement, arrêtez le système immédiatement.
- La température ambiante maximale supportée par ce produit est de 113 °F (45 °C). Ne le faites pas fonctionner à des températures plus élevées.
- La température de démarrage minimale est de -20°C (-4°F). Ne pas démarrer l'appareil à des températures plus basses.
- La température ambiante minimale est de -30°C (-22°F). Ne pas utiliser l'appareil à des températures plus basses.

Conformité FCC

Cet appareil est conforme à la partie 15, sous-partie B du règlement de la FCC. L'utilisation est soumise aux deux conditions suivantes :

1. Cet appareil ne doit pas causer d'interférences nuisibles, et
2. Cet appareil doit accepter toutes les interférences reçues, y compris celles pouvant entraîner un fonctionnement indésirable.

Tout changement ou modification non expressément approuvé par l'autorité responsable de la conformité pourrait annuler le droit de l'utilisateur à utiliser l'équipement.

Avertissement à l'exposition aux fréquences radio pour l'Amérique du Nord et l'Australie

Attention ! Cet équipement est conforme aux limites de la FCC d'exposition aux radiations définies pour un environnement non contrôlé. Cet équipement doit être installé et utilisé à une distance minimale de 20 cm entre le radiateur et votre corps. Cet émetteur ne doit pas être installé ou fonctionner conjointement avec une autre antenne ou un autre émetteur.

Contact

En dehors des États-Unis, du Royaume-Uni, de l'Irlande, du Benelux, de la France, de l'Allemagne, ou du Mexique, contactez votre fournisseur si vous avez besoin d'assistance ou pour retourner un appareil. Référez-vous à [Contact Us](#) à la fin de ce MdR pour obtenir des informations pour nous contacter.

Ce Qui est Inclus

- 4 onAir IP Panel 2
- Cordon d'alimentation Seetronic Powerkon IP65
- Fixation Omega sans matériel de montage
- Broche junior
- Manuel de Référence

Alimentation CA

Cet appareil est doté d'une alimentation universelle prenant en charge toute tension d'entrée comprise entre 100 et 240 V~, 50/60 Hz.

Connexion Électrique

Vous pouvez connecter jusqu'à 3 onAir IP Panel 2 à 100 V, 4 unités à 120 V, 7 unités à 208 V, 8 unités à 230 V ou 8 unités à 240 V. Vous pouvez vous procurer séparément des cordons d'alimentation.

Prise CA

Connexion	Câble (États-Unis)	Câble (Europe)	Couleur de la vis
Conducteur CA	Noir	Marron	Jaune/Cuivré
Neutre CA	Blanc	Bleu	Argenté
Terre CA	Vert/Jaune	Vert/Jaune	Vert

Alimentation CC

Ce produit est doté d'un port d'entrée d'alimentation XLR IP65 à 3 broches qui peut fonctionner avec une tension d'entrée de 28 V CC qui est une tension TBTS fournie par une alimentation résistante aux courts-circuits.



En cas de branchement simultanée d'une alimentation CA et d'une alimentation CC à l'appareil, la priorité sera automatiquement donnée à l'alimentation CA.



Durant les périodes de non-utilisation, pour éviter toute usure inutile et pour prolonger la durée de vie, déconnectez-entièrement l'appareil en le débranchant de l'alimentation électrique ou en coupant le disjoncteur.

Connexions du signal

Vous pouvez relier le onAir IP Panel 2 à un contrôleur ou à un logiciel de contrôle à l'aide d'une connexion DMX filaire, une connexion sans fil Lumenradio CRMX™, ou une connexion Ethernet. En cas d'utilisation du onAir IP Panel 2 conjointement avec d'autres appareils compatibles avec les protocoles Art-Net™, ou sACN, vous gardez le contrôle individuel sur un même réseau. Veuillez consulter le manuel d'utilisation pour plus d'informations sur la connexion et la configuration de l'appareil avec ces signaux.

Personnalités de contrôle

Le onAir IP Panel 2 utilise DMX, CRMX™, Art-Net™ et sACN pour ses personnalités de contrôle: **1Ch, 3Ch, 4Ch, 5Ch, 6Ch, 8Ch, 11Ch, 15Ch, 16Ch, 18Ch, 23Ch, 32Ch, XYBasic(6), et XYExtended(10)**.

Connexion DMX

Le onAir IP Panel 2 fonctionnera avec une console DMX au moyen d'une connexion DMXDMX à 5 broches ou une connexion CRMX™ sans fil. Une introduction au DMX est à votre disposition sur www.chauvetprofessional.com.

Connexion Art-Net™

Art-Net™ est un protocole Ethernet par TCP/IP qui permet de transférer de grandes quantités de données DMX512 en utilisant une connexion etherCON RJ45 sur un grand réseau. Une introduction au protocole Art-Net™ est disponible sur le site internet www.chauvetprofessional.com. Chauvet Professional recommande d'utiliser le mode Unicast pour de meilleurs résultats.

Art-Net™ conçu et droit d'auteur par Artistic Licence Holdings Ltd.

Connexion sACN

Également appelé ANSI E1.31, le streaming ACN est un protocole Ethernet qui utilise les couches et le formatage de l'Architecture for Control Networks pour transporter des données DMX512 par IP ou tout autre réseau compatible ACN.

RDM (Gestion des périphériques à distance)

Le protocole RDM (gestion des périphériques à distance) est un standard pour la communication bidirectionnelle des appareils dotés de fonctions DMX dans un câblage DMX existant. Le onAir IP Panel 2 supporte le protocole RDM permettant un retour d'information pour la surveillance et des changements des options de menu. Veuillez télécharger le manuel de l'utilisateur à partir du site internet www.chauvetprofessional.com pour plus de détails.

Mise à jour logicielle par USB

Le onAir IP Panel 2 supporte une mise à jour logicielle par USB à l'aide du port USB intégré. Pour mettre à jour le logiciel à l'aide d'une clé USB, procédez comme suit:

1. Allumez l'appareil et branchez la clé USB dans le port USB.
2. Une fois que la clé USB a été détectée, le message « Upgrade Firmware » (mise à jour du micrologiciel) s'affiche. Appuyez sur **<ENTER>**.
 - Si un message différent apparaît à l'écran, recherchez le logiciel mis à jour dans le menu (**Update Firmware**) et sélectionnez parmi **Only This Unit**, **Multiple Units** ou **Other Fixture Type**. Une liste des fichiers logiciels de mise à jour s'affiche.
3. Sélectionnez le fichier à télécharger. Le message « Are you sure? » (êtes-vous sûr ?) s'affiche. Appuyez sur **<ENTER>**.
4. Si le fichier sélectionné est correct, la mise à niveau se termine. Redémarrez l'appareil.
 - Si le fichier sélectionné est incorrect, la mise à niveau échoue et l'affichage revient au menu principal. Répétez les étapes 1 à 3 en utilisant le bon fichier.



Les fichiers au format **.chl** doivent être placés dans le dossier « **ONAIR** » de la clé USB.



L'option « **Other Fixture Type** » ne peut être sélectionnée que pour les produits connectés compatibles avec le Upload 03 (les 2 premiers chiffres du code article doivent être 03).

Fonctionnement sans fil

Dans des conditions optimales, le onAir IP Panel 2 peut fonctionner jusqu'à une distance de 300 m (900 ft) de l'émetteur CRMX™. Le récepteur CRMX™ de le onAir IP Panel 2 doit être couplé avec l'émetteur CRMX™ pour un fonctionnement sans fil.

Configuration initiale

1. Allumez l'émetteur CRMX™.
2. Connectez l'émetteur CRMX™ au contrôleur DMX.
3. Placez le onAir IP Panel 2 à moins de 300 m de l'émetteur CRMX™.
4. Allumez le onAir IP Panel 2.

Configuration

1. A partir du panneau de commande du onAir IP Panel 2 allez sur le menu **DMX Address**.
2. Sélectionnez l'adresse de départ comme avec tout autre appareil compatible DMX.
3. Allez sur le menu **Wireless Setting > Receive On/Off**.
4. Sélectionnez **On**. (L'indicateur d'intensité du signal affiche un ? devant les barres.)
5. Appuyez sur le bouton de réinitialisation de l'émetteur W-DMX. (L'indicateur d'intensité du signal du onAir IP Panel 2 affiche un sigle 4 devant les barres pendant 3 secondes pendant l'établissement de la connexion.)

Appairage de l'appareil

Si le onAir IP Panel 2 a déjà été appairé avec l'émetteur CRMX™, l'indicateur d'intensité du signal situé au milieu de l'écran affiche la force du signal. Dans ce cas, le onAir IP Panel 2 est prêt à fonctionner en mode sans fil.

Appairage du onAir IP Panel 2 avec un nouvel émetteur CRMX™

1. A partir du panneau de commande du onAir IP Panel 2, allez au menu **Wireless Setting > Receive Reset**.
2. Sélectionnez **Yes**.
3. Sur l'émetteur CRMX™, appuyez sur **<RESET>** (l'indicateur de signal de l'émetteur clignote).
4. Lorsque l'émetteur a trouvé le onAir IP Panel 2, l'indicateur de signal de l'émetteur CRMX™ reste allumé.
5. L'écran sur le onAir IP Panel 2 affiche alors l'intensité du signal.

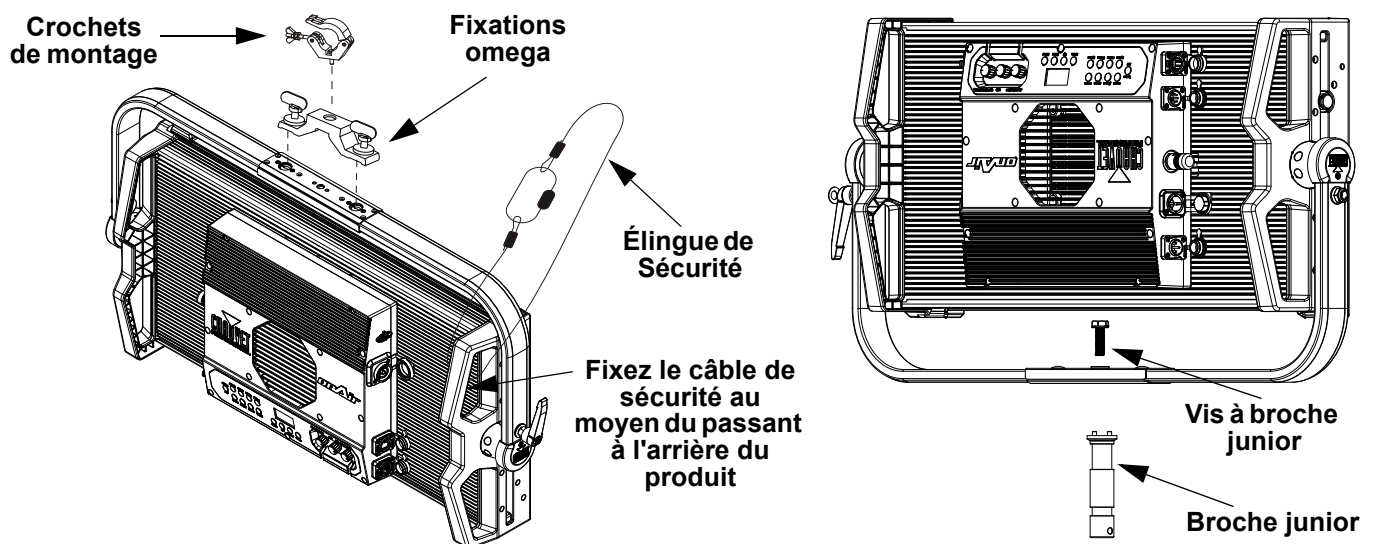


Le fonctionnement CRMX™ peut être interrompu ou inhibé par des masses de liquides entre l'émetteur et le récepteur, comme par exemple de l'eau, de la neige ou des personnes. Pour de meilleurs résultats, assurez-vous que la zone située entre l'émetteur et le récepteur soit exempte de toute masse liquide.

Installation

Avant de monter cet appareil, lisez et assimilez les [Consignes de Sécurité](#). Soyez sûr que les crochets sont capables de supporter le poids du produit. Découvrez notre gamme de fixations Chauvet sur <http://trusst.com/products>.

Schéma de Montage de l'Appareil



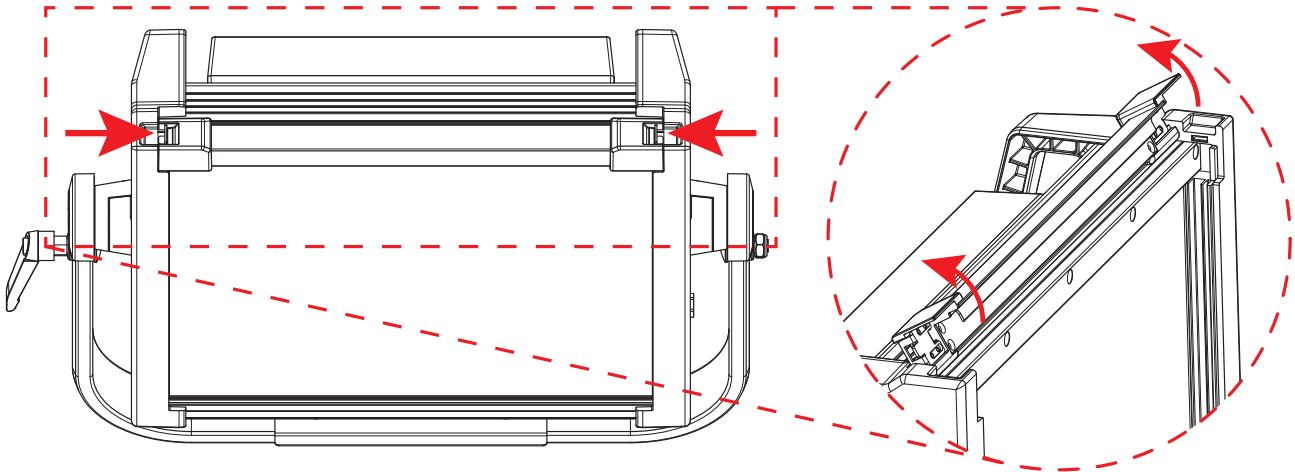
Emplacements pour accessoires

L'onAir IP Panel 2 dispose de 2 emplacements pour accessoires auxquels vous pouvez accéder en enfonçant vers l'intérieur les languettes des emplacements pour accessoires et en ouvrant leur couvercle à charnières.



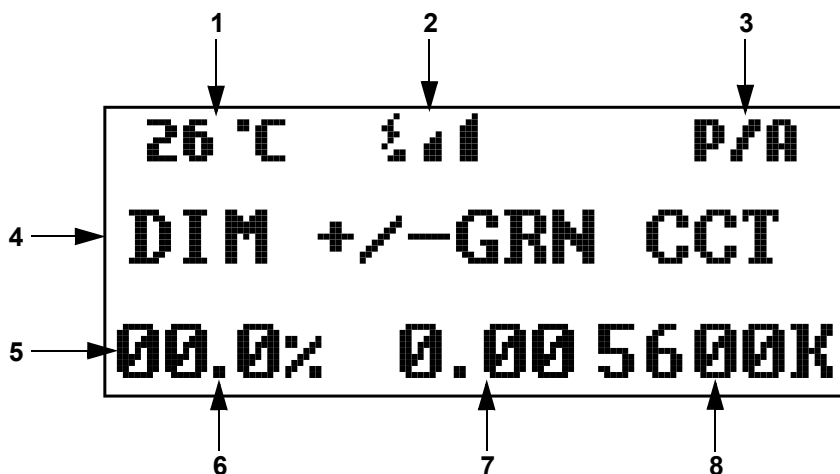
- **Ne pas utiliser lorsque le diffuseur est retiré. Le diffuseur ne peut pas être retiré lorsque le projecteur est sous tension.**
- **Pour les luminaires fixes, le groupe de risque ne doit pas dépasser RG1 à la distance d'obtention de 500 lux.**

- L'emplacement arrière est destiné à recevoir un diffuseur ou un intensificateur.
- L'emplacement avant est destiné à recevoir un accessoire tel qu'un nid d'abeille ou des volets de projecteur.



Écran d'accueil

L'écran d'accueil de l'onAir IP Panel 2 indique les paramètres actuels et l'état de l'appareil



Nombre	Description
1	Température actuelle de l'appareil
2	État actuel du signal sans fil
3	Préréglage actuel ou banque de préréglage actuelle
4	La ligne du milieu indique le mode de contrôle actuel. Affiche DIM +/-GRN CCT en mode CCT, DIM HUE SAT en mode HSV, DIM X Y en mode XY Control, Master Mode en mode maître, Slave Mode en mode esclave, etc.
5	La ligne du bas affiche les détails du mode de contrôle actuel
6	Valeur actuelle de gradateur ou d'intensité (00.0 à 100%) en mode CCT, HSV, ou XY Control
7	Valeur de +/- vert (-0,25 à +0,25) en mode CCT, valeur de teinte (000 à 360) en mode HSV, ou valeur de X (0.00–0.850) en mode XY Control
8	Température de couleur actuelle (2800 à 8000K) en mode CCT, valeur de saturation (000 à 255) en mode HSV, ou valeur de Y (0.00–0.850) en mode XY Control

Description du Tableau de Commandes

Bouton	Fonction
<MENU>	Permet la sortie du menu ou de la fonction en cours
<ENTER>	Permet l'affichage du menu en cours ou permet de configurer la valeur en cours dans la fonction sélectionnée
<UP>	Parcours les listes ou les menus vers le haut, augmente les valeurs numériques dans une fonction
<DOWN>	Parcours les listes ou les menus vers le bas, diminue les valeurs numériques dans une fonction
<DIM/INTENSITY>	Augmente ou diminue la valeur du gradateur ou l'intensité
<HUE>	Augmente ou diminue la valeur de la teinte ou la valeur X
<CCT/SATURATION>	Augmente ou diminue la température de couleur, la saturation, ou la valeur Y
<PRESET A/B>	Permet de basculer entre les préséglages A (intégré) et B (personnalisé)
<PRESET> (x8)	Permet de sélectionner un préséglage. Maintenez cette touche enfoncée pendant 3 secondes pour enregistrer le rendu actuel dans le préséglage B sélectionné.

Plan du Menu

 Reportez-vous à la page du produit onAir IP Panel 2 sur www.chauvetprofessional.com pour la dernière carte des menu.

Menu Principal	Niveaux de Programmation			Description	
Protocol	DMX512			Définit le protocole de contrôle	
	Artnet				
	sACN				
DMX Address	001–509*			Sélectionne l'adresse de démarrage (*le canal le plus élevé est restreint par personnalité)	
DMX Channel	1Ch	Preset CCTs	Hue	<-25–25>	1 canal: Sélectionne une CCT prédéfinies et teinte
		Manual Color Mixer	Red	<000–255>	1 canal: Combine les couleurs rouge, vert, bleu et blanc pour un résultat personnalisé (0–100%)
			Green	<000–255>	
			Blue	<000–255>	
			White	<000–255>	
	3Ch			3 canaux: gradateur, température de couleur, teinte	
	4Ch			4 canaux: RGBW	
	5Ch			5 canaux: gradateur 16-bit, température de couleur, teinte, stroboscope	
	6Ch			6 canaux: gradateur, RGBW, stroboscope	
	8Ch			8 canaux: RGBW 16-bit	
	11Ch			11 canaux: gradateur, RGBW, stroboscope, température de couleur, teinte, macros d'effets et vitesse	
	15Ch			15 canaux: gradateur 16-bit, RGBW 16-bit, stroboscope, température de couleur, teinte, macros d'effets et vitesse	
	16Ch			16 canaux: RGBW 1–4	
	18Ch			18 canaux: gradateur, RGBW 1–4, stroboscope	
	23Ch			23 canaux: gradateur, RGBW 1–4, stroboscope, température de couleur, teinte, macros d'effets et vitesse, contrôle	
	32Ch			32 canaux: RGBW 1–4 16-bit	
XYBasic(6)			6 canaux: gradateur 16-bit, X 16-bit, Y 16-bit		
XYExtended(10)			10 canaux: gradateur 16-bit, X 16-bit, Y 16-bit, stroboscope, macros d'effets et vitesse, contrôle		
Static	CCT Control			Contrôle corrélé de la température de couleur	
	HSV Control			Contrôle de la teinte, saturation, et valeur	
	XY Control			Contrôle des coordonnées X et Y	
	Preset CCTs	2800K	Dimmer Hue	<000–255>	Sélectionne température de couleur prédéfinies, gradateur, et teinte
		2900K			
		3000K			
		3100K			
3200K					
3300K					
<-25–25>			<-25–25>		

Menu Principal	Niveaux de Programmation			Description	
Static (cont.)	Preset CCTs (cont.)	3400K	Dimmer Hue	<000–255> <-25–25>	Sélectionne température de couleur prédéfinies, gradateur, et teinte
		3500K			
		3600K			
		3700K			
		3800K			
		3900K			
		4000K			
		4100K			
		4200K			
		4300K			
		4400K			
		4500K			
		4600K			
		4700K			
		4800K			
		4900K			
		5000K			
		5100K			
		5200K			
		5300K			
		5400K			
		5500K			
		5600K			
5700K					
6000K					
6500K					
7000K					
7500K					
8000K					
	Manual Color Mixer	Red	<000–255>		Combine les couleurs rouge, vert, bleu et blanc pour un résultat personnalisé (0–100%)
Green					
Blue					
White					
Effect Macros	Color Chase	<001–100>			Sélectionne macros d'effets et vitesse
	Police Car				
	Firetruck				
	Fire				
	Clouds				
	Fireworks				
	Paparazzi				
	Lightning				
Red Shift	On				Active ou désactive la fonction passe au rouge
	Off				
Master/Slave	Master				Mode autonome
	Slave				Mode esclave
DMX Loss	Hold Last				Conservation du dernier signal reçu
	Stop DMX				Conservation du sortie
	Blackout				Extinction de l'unité
Dimmer Curve	S Curve				Définir la courbe de gradation
	Linear				
	Square				
	Inverse Square				
Dimmer Mode	Off				Gradateur linéaire
	Dimmer 1–3				Courbes de gradation rapide (1) à lent (3)

Menu Principal	Niveaux de Programmation		Description	
Color Calibration	Off		Étalonnage des couleurs désactivé	
	User Calibration	Red	<125–255>	Définit la valeur maximale de LED rouge
		Green		Définit la valeur maximale de LED verte
		Blue		Définit la valeur maximale de LED bleue
		White		Définit la valeur maximale de LED blanche
Factory Calibration		Utilise l'étalonnage défini en usine		
LED Frequency	600Hz		Permet de sélectionner la fréquence de sortie MLI	
	1200Hz			
	2000Hz			
	4000Hz			
	6000Hz			
	25KHz			
Fan Mode	Auto		Réglez le ventilateur en mode automatique	
	On		Réglez le mode de ventilateur toujours allumé	
	Off		Réglez le mode de ventilateur toujours éteint	
	Silent		Réglez le mode silencieux de ventilateur	
Wireless Setting	Receive On/Off	Off	Active/désactive la fonction CRMX™	
		On		
	Receive Reset	No	Réinitialise le paramétrage sans fil	
		Yes		
Wireless To DMX	No	Active/désactive la fonction sans fil à DMX		
	Yes			
Back Light	10S		Désactive rétro-éclairage après 10 secondes d'inactivité	
	30S		Désactive rétro-éclairage après 30 secondes	
	2Min		Désactive rétro-éclairage après 2 minutes	
	Always On		Affichage rétro-éclairage toujours active	
Ethernet Setting	Universe	000–255 (Art-net™)	Définir l'univers Art-Net™ ou sACN	
		001–256 (sACN)		
	Start Channel	001–512		Définir l'adresse de départ
		2	000–255 . 000–255 . 000–255	
	IP Address	10		Définir l'adresse IP
		239		
Ethernet To DMX	No		Active/désactive la fonction ethernet à DMX	
	Yes			
Information	Fixture Hours	<_ _ _ _ H>	Affiche le nombre total des heures du produit	
	LED Hours	<_ _ _ _ H>	Affiche le nombre total des heures du LED	
	Disp Version	<V_ _ _>	Affiche la version d'affichage actuelle	
	Drv Version	<V_ _ _>	Affiche la version actuelle du pilote	
	Net Version	<V_ _ _>	Affiche la version actuelle du réseau	
	Humidity	<_ _ %>	Affiche l'humidité actuelle du produit	
	UID	21A40139_ _ _ _		Affiche l'UID du produit
Update Firmware	Only This Unit	_ _ _ _ _ .CHL	Sélectionne un fichier de mise à jour pour ce produit, ou affiche «No such file!»	
		...		
	Multiple Units	_ _ _ _ _ .CHL	Sélectionne un fichier de mise à jour pour ce produit et des produits onAir IP Panel 2 connectés, ou affiche «No such file!»	
		...		
	Other Fixture Type	_ _ _ _ _ .CHL	Sélectionne un fichier de mise à jour pour les autres produits connectés, ou affiche «No such file!»	
		...		
Factory Reset	No		Permet de réinitialiser aux valeurs par défaut d'usine	
	Yes			

FR

**Valeurs DMX
XYExtended(10)**

Canal	Fonction	Valeur	Pourcentage/Configuration
1	Gradateur	000 ⇔ 255	0–100%
2	Gradateur fin	000 ⇔ 255	0–100%
3	Coordonnée X	000 ⇔ 255	0–100%
4	Coordonnée X fin	000 ⇔ 255	0–100%
5	Coordonnée Y	000 ⇔ 255	0–100%
6	Coordonnée Y fin	000 ⇔ 255	0–100%
7	Stroboscope	000 ⇔ 010 011 ⇔ 255	Pas de fonction Stroboscope, lent à rapide
8	Macros d'effets	000 ⇔ 255	Consulter la Carte de macros d'effets
9	Vitesse macro d'effet	000 ⇔ 255	Vitesse, lent à rapide
10	Contrôle	000 ⇔ 255	Consulter la Carte de contrôle

XYBasic(6)

Canal	Fonction	Valeur	Pourcentage/Configuration
1	Gradateur	000 ⇔ 255	0–100%
2	Gradateur fin	000 ⇔ 255	0–100%
3	Coordonnée X	000 ⇔ 255	0–100%
4	Coordonnée X fin	000 ⇔ 255	0–100%
5	Coordonnée Y	000 ⇔ 255	0–100%
6	Coordonnée Y fin	000 ⇔ 255	0–100%

32Ch

Canal	Fonction	Valeur	Pourcentage/Configuration
1	Rouge 1	000 ⇔ 255	0–100%
2	Rouge fin 1	000 ⇔ 255	0–100%
3	Vert 1	000 ⇔ 255	0–100%
4	Vert fin 1	000 ⇔ 255	0–100%
5	Bleu 1	000 ⇔ 255	0–100%
6	Bleu fin 1	000 ⇔ 255	0–100%
7	Blanc 1	000 ⇔ 255	0–100%
8	Blanc fin 1	000 ⇔ 255	0–100%
9	Rouge 2	000 ⇔ 255	0–100%
10	Rouge fin 2	000 ⇔ 255	0–100%
11	Vert 2	000 ⇔ 255	0–100%
12	Vert fin 2	000 ⇔ 255	0–100%
13	Bleu 2	000 ⇔ 255	0–100%
14	Bleu fin 2	000 ⇔ 255	0–100%
15	Blanc 2	000 ⇔ 255	0–100%
16	Blanc fin 2	000 ⇔ 255	0–100%
17	Rouge 3	000 ⇔ 255	0–100%
18	Rouge fin 3	000 ⇔ 255	0–100%
19	Vert 3	000 ⇔ 255	0–100%
20	Vert fin 3	000 ⇔ 255	0–100%
21	Bleu 3	000 ⇔ 255	0–100%
22	Bleu fin 3	000 ⇔ 255	0–100%
23	Blanc 3	000 ⇔ 255	0–100%
24	Blanc fin 3	000 ⇔ 255	0–100%
25	Rouge 4	000 ⇔ 255	0–100%
26	Rouge fin 4	000 ⇔ 255	0–100%
27	Vert 4	000 ⇔ 255	0–100%

Canal	Fonction	Valeur	Pourcentage/Configuration
28	Vert fin 4	000 ⇔ 255	0–100%
29	Bleu 4	000 ⇔ 255	0–100%
30	Bleu fin 4	000 ⇔ 255	0–100%
31	Blanc 4	000 ⇔ 255	0–100%
32	Blanc fin 4	000 ⇔ 255	0–100%

23Ch

Canal	Fonction	Valeur	Pourcentage/Configuration
1	Gradateur	000 ⇔ 255	0–100%
2	Rouge 1	000 ⇔ 255	0–100%
3	Vert 1	000 ⇔ 255	0–100%
4	Bleu 1	000 ⇔ 255	0–100%
5	Blanc 1	000 ⇔ 255	0–100%
6	Rouge 2	000 ⇔ 255	0–100%
7	Vert 2	000 ⇔ 255	0–100%
8	Bleu 2	000 ⇔ 255	0–100%
9	Blanc 2	000 ⇔ 255	0–100%
10	Rouge 3	000 ⇔ 255	0–100%
11	Vert 3	000 ⇔ 255	0–100%
12	Bleu 3	000 ⇔ 255	0–100%
13	Blanc 3	000 ⇔ 255	0–100%
14	Rouge 4	000 ⇔ 255	0–100%
15	Vert 4	000 ⇔ 255	0–100%
16	Bleu 4	000 ⇔ 255	0–100%
17	Blanc 4	000 ⇔ 255	0–100%
18	Stroboscope	000 ⇔ 010 011 ⇔ 255	Pas de fonction Stroboscope, lent à rapide
19	Température de couleur	000 ⇔ 255	Consulter la Carte des températures de couleur
20	Teinte	000 ⇔ 001 002 ⇔ 255	0 -25–+25
21	Macros d'effets	000 ⇔ 255	Consulter la Carte de macros d'effets
22	Vitesse macro d'effet	000 ⇔ 255	Vitesse, lent à rapide
23	Contrôle	000 ⇔ 255	Consulter la Carte de contrôle

18Ch

Canal	Fonction	Valeur	Pourcentage/Configuration
1	Gradateur	000 ⇔ 255	0–100%
2	Rouge 1	000 ⇔ 255	0–100%
3	Vert 1	000 ⇔ 255	0–100%
4	Bleu 1	000 ⇔ 255	0–100%
5	Blanc 1	000 ⇔ 255	0–100%
6	Rouge 2	000 ⇔ 255	0–100%
7	Vert 2	000 ⇔ 255	0–100%
8	Bleu 2	000 ⇔ 255	0–100%
9	Blanc 2	000 ⇔ 255	0–100%
10	Rouge 3	000 ⇔ 255	0–100%
11	Vert 3	000 ⇔ 255	0–100%
12	Bleu 3	000 ⇔ 255	0–100%
13	Blanc 3	000 ⇔ 255	0–100%
14	Rouge 4	000 ⇔ 255	0–100%
15	Vert 4	000 ⇔ 255	0–100%
16	Bleu 4	000 ⇔ 255	0–100%

Canal	Fonction	Valeur	Pourcentage/Configuration
17	Blanc 4	000 ⇔ 255	0–100%
18	Stroboscope	000 ⇔ 010 011 ⇔ 255	Pas de fonction Stroboscope, lent à rapide

16Ch

Canal	Fonction	Valeur	Pourcentage/Configuration
1	Rouge 1	000 ⇔ 255	0–100%
2	Vert 1	000 ⇔ 255	0–100%
3	Bleu 1	000 ⇔ 255	0–100%
4	Blanc 1	000 ⇔ 255	0–100%
5	Rouge 2	000 ⇔ 255	0–100%
6	Vert 2	000 ⇔ 255	0–100%
7	Bleu 2	000 ⇔ 255	0–100%
8	Blanc 2	000 ⇔ 255	0–100%
9	Rouge 3	000 ⇔ 255	0–100%
10	Vert 3	000 ⇔ 255	0–100%
11	Bleu 3	000 ⇔ 255	0–100%
12	Blanc 3	000 ⇔ 255	0–100%
13	Rouge 4	000 ⇔ 255	0–100%
14	Vert 4	000 ⇔ 255	0–100%
15	Bleu 4	000 ⇔ 255	0–100%
16	Blanc 4	000 ⇔ 255	0–100%

15Ch

Canal	Fonction	Valeur	Pourcentage/Configuration
1	Gradateur	000 ⇔ 255	0–100%
2	Gradateur fin	000 ⇔ 255	0–100%
3	Rouge	000 ⇔ 255	0–100%
4	Rouge fin	000 ⇔ 255	0–100%
5	Vert	000 ⇔ 255	0–100%
6	Vert fin	000 ⇔ 255	0–100%
7	Bleu	000 ⇔ 255	0–100%
8	Bleu fin	000 ⇔ 255	0–100%
9	Blanc	000 ⇔ 255	0–100%
10	Blanc fin	000 ⇔ 255	0–100%
11	Stroboscope	000 ⇔ 010 011 ⇔ 255	Pas de fonction Stroboscope, lent à rapide
12	Température de couleur	000 ⇔ 255	Consulter la Carte des températures de couleur
13	Teinte	000 ⇔ 001 002 ⇔ 255	0 -25–+25
14	Macros d'effets	000 ⇔ 255	Consulter la Carte de macros d'effets
15	Vitesse macro d'effet	000 ⇔ 255	Vitesse, lent à rapide

11Ch

Canal	Fonction	Valeur	Pourcentage/Configuration
1	Gradateur	000 ⇔ 255	0–100%
2	Rouge	000 ⇔ 255	0–100%
3	Vert	000 ⇔ 255	0–100%
4	Bleu	000 ⇔ 255	0–100%
5	Blanc	000 ⇔ 255	0–100%

Canal	Fonction	Valeur	Pourcentage/Configuration
6	Stroboscope	000 ⇔ 010	Pas de fonction
		011 ⇔ 255	Stroboscope, lent à rapide
7	Température de couleur	000 ⇔ 255	Consulter la Carte des températures de couleur
8	Teinte	000 ⇔ 001	0
		002 ⇔ 255	-25–+25
9	Macros d'effets	000 ⇔ 255	Consulter la Carte de macros d'effets
10	Vitesse macro d'effet	000 ⇔ 255	Vitesse, lent à rapide
11	Contrôle	000 ⇔ 255	Consulter la Carte de contrôle

8Ch

Canal	Fonction	Valeur	Pourcentage/Configuration
1	Rouge	000 ⇔ 255	0–100%
2	Rouge fin	000 ⇔ 255	0–100%
3	Vert	000 ⇔ 255	0–100%
4	Vert fin	000 ⇔ 255	0–100%
5	Bleu	000 ⇔ 255	0–100%
6	Bleu fin	000 ⇔ 255	0–100%
7	Blanc	000 ⇔ 255	0–100%
8	Blanc fin	000 ⇔ 255	0–100%

6Ch

Canal	Fonction	Valeur	Pourcentage/Configuration
1	Gradateur	000 ⇔ 255	0–100%
2	Rouge	000 ⇔ 255	0–100%
3	Vert	000 ⇔ 255	0–100%
4	Bleu	000 ⇔ 255	0–100%
5	Blanc	000 ⇔ 255	0–100%
6	Stroboscope	000 ⇔ 010	Pas de fonction
		011 ⇔ 255	Stroboscope, lent à rapide

5Ch

Canal	Fonction	Valeur	Pourcentage/Configuration
1	Gradateur	000 ⇔ 255	0–100%
2	Gradateur fin	000 ⇔ 255	0–100%
3	Température de couleur	000 ⇔ 255	Consulter la Carte des températures de couleur
4	Teinte	000 ⇔ 001	0
		002 ⇔ 255	-25–+25
5	Stroboscope	000 ⇔ 010	Pas de fonction
		011 ⇔ 255	Stroboscope, lent à rapide

4Ch

Canal	Fonction	Valeur	Pourcentage/Configuration
1	Rouge	000 ⇔ 255	0–100%
2	Vert	000 ⇔ 255	0–100%
3	Bleu	000 ⇔ 255	0–100%
4	Blanc	000 ⇔ 255	0–100%

FR

3Ch

Canal	Fonction	Valeur	Pourcentage/Configuration
1	Gradateur	000 ⇔ 255	0–100%
2	Température de couleur	000 ⇔ 255	Consulter la Carte des températures de couleur
3	Teinte	000 ⇔ 001	0
		002 ⇔ 255	-25–+25

1Ch

Canal	Fonction	Valeur	Pourcentage/Configuration
1	Gradateur	000 ⇔ 255	0–100% (couleur définie par le menu)

Carte de macros d'effets

Valeur	Pourcentage/Configuration	Valeur	Pourcentage/Configuration
000 ⇔ 010	Pas de fonction	126 ⇔ 154	Nuages
011 ⇔ 039	Chenillard de couleur	155 ⇔ 182	Feux d'artifice
040 ⇔ 068	Voiture de police	183 ⇔ 211	Paparazzi
069 ⇔ 096	Voiture de pompier	212 ⇔ 240	Éclairs
097 ⇔ 125	Feu	241 ⇔ 255	Pas de fonction

Carte de contrôle

Valeur	Pourcentage/Configuration	Valeur	Pourcentage/Configuration
000 ⇔ 007	Pas de fonction	072 ⇔ 079	Mode gradateur 1 (rapide)
008 ⇔ 015	Réinitialisation du gradateur	080 ⇔ 087	Mode gradateur 2
016 ⇔ 023	Passe au rouge active	088 ⇔ 095	Mode gradateur 3 (lente)
024 ⇔ 031	Passe au rouge désactive	096 ⇔ 103	Ventilateur automatique
032 ⇔ 039	Courbe de gradateur S-Curve	104 ⇔ 111	Ventilateur allumé
040 ⇔ 047	Courbe de gradateur linéaire	112 ⇔ 119	Ventilateur éteint
048 ⇔ 055	Courbe de gradation carrée	120 ⇔ 127	Ventilateur silencieux
056 ⇔ 063	Courbe de gradation carrée inverse	128 ⇔ 255	Réservé pour une utilisation future
064 ⇔ 071	Mode gradateur éteint		

Carte des températures de couleur

Valeur	Pourcentage/Configuration	Valeur	Pourcentage/Configuration
000 ⇔ 005	Pas de fonction	125 ⇔ 131	4500K
006 ⇔ 012	2800K	132 ⇔ 138	4600K
013 ⇔ 019	2900K	139 ⇔ 145	4700K
020 ⇔ 026	3000K	146 ⇔ 152	4800K
027 ⇔ 033	3100K	153 ⇔ 159	4900K
034 ⇔ 040	3200K	160 ⇔ 166	5000K
041 ⇔ 047	3300K	167 ⇔ 173	5100K
048 ⇔ 054	3400K	174 ⇔ 180	5200K
055 ⇔ 061	3500K	181 ⇔ 187	5300K
062 ⇔ 068	3600K	188 ⇔ 194	5400K
069 ⇔ 075	3700K	195 ⇔ 201	5500K
076 ⇔ 082	3800K	202 ⇔ 208	5600K
083 ⇔ 089	3900K	209 ⇔ 215	5700K
090 ⇔ 096	4000K	216 ⇔ 222	6000K
097 ⇔ 103	4100K	223 ⇔ 229	6500K
104 ⇔ 110	4200K	230 ⇔ 236	7000K
111 ⇔ 117	4300K	237 ⇔ 243	7500K
118 ⇔ 124	4400K	244 ⇔ 255	8000K

Über diese Schnellanleitung

In der Schnellanleitung des onAir IP Panel 2 finden Sie die wesentlichen Produktinformationen, wie etwa über die Montage, Menüoptionen und DMX-Werte des Geräts. Laden Sie für weiterführende Informationen unter www.chauvetprofessional.com das Benutzerhandbuch herunter.

Haftungsausschluss

Die in dieser Anleitung aufgeführten Informationen und Spezifikationen können ohne vorherige Ankündigung geändert werden.

EINGESCHRÄNKTE GARANTIE

ZUR REGISTRIERUNG FÜR GARANTIEANSPRÜCHE UND ZUR EINSICHT IN DIE VOLLSTÄNDIGEN GESCHÄFTSBEDINGUNGEN BESUCHEN SIE BITTE UNSERE WEBSITE.

Für Kunden in den USA und in Mexiko: www.chauvetlighting.com/warranty-registration.

Für Kunden im Vereinigten Königreich, in Irland, Belgien, den Niederlanden, Luxemburg, Frankreich und Deutschland: www.chauvetlighting.eu/warranty-registration.

Chauvet garantiert für die in der auf unserer Website veröffentlichten vollständigen eingeschränkten Garantie genannten Dauer und unter Vorbehalt der darin genannten Haftungsausschlüsse und -beschränkungen, dass dieses Produkt bei normalen Gebrauch frei von Material- und Verarbeitungsfehlern ist. Diese Garantie erstreckt sich nur auf den Erstkäufer des Produkts und ist nicht übertragbar. Zur Ausübung der unter dieser Garantie gewährten Rechte ist der Kaufbeleg in Form der Originalrechnung von einem autorisierten Händler vorzulegen, in der die Produktbezeichnung und das Kaufdatum vermerkt sein müssen. ES BESTEHEN KEINE WEITEREN AUSDRÜCKLICHEN ODER STILLSCHWEIGENDEN GARANTIEN. Diese Garantie gibt Ihnen besondere gesetzliche Rechte. Und Sie haben möglicherweise weitere Rechte, die von Land zu Land unterschiedlich sein können. Diese Garantie ist nur in den USA, im Vereinigten Königreich, in Irland, Belgien, den Niederlanden, Luxemburg, Frankreich, Deutschland und Mexiko gültig. Bezüglich der Garantiebestimmungen in anderen Ländern wenden Sie sich bitte an Ihren lokalen Händler.

Sicherheitshinweise

- Die Leuchte sollte so positioniert werden, dass ein langes starres Schauen in die Leuchte in einem Abstand von weniger als 19,7 Zoll (50 cm) nicht zu erwarten ist.
- Ist das externe flexible Kabel dieser Leuchte beschädigt, muss es durch ein gleichwertiges Kabel oder ein ausschließlich vom Hersteller oder dessen Vertriebspartner erhältliches Kabel ersetzt werden.
- Das in dieser Leuchte enthaltene Leuchtmittel darf nur vom Hersteller oder dessen Vertriebspartner oder einer ähnlich qualifizierten Person ausgetauscht werden.
- Die Leuchte ist ausschließlich für den professionellen Einsatz bestimmt.
- Dieses Gerät NICHT öffnen. Die eingebauten Komponenten sind für den Kunden wartungsfrei.
- NIEMALS in die Lichtquelle schauen, während das Gerät eingeschaltet ist.
- Um Verschleiß zu vermeiden und die Dauer des Geräts zu verlängern, trennen Sie während längerer Perioden des Nichtgebrauchs das Gerät vom Strom – entweder per Schalter oder durch Herausziehen des Steckers aus.
- VORSICHT: Das Gehäuse dieses Produkts kann während des Betriebs heiß werden.
- Installieren Sie das Gerät an einem Ort mit ausreichender Belüftung und mit einem Abstand von mindestens 20 Zoll (50 cm) zu den angrenzenden Flächen.
- Belassen Sie KEINE entflammaren Materialien in einem Umkreis von 7,87 Zoll (20 cm) dieses Geräts, während es in Betrieb oder an der Stromversorgung angeschlossen ist.
- VORSICHT: Beim Transport des Geräts von einer Umgebung mit außergewöhnlichen Temperaturen in eine andere solche Umgebung (z. B. aus einem kalten Transporter in einen warm-feuchten Ballsaal) kann an der im Gerät enthaltenen Elektronik Wasser kondensieren. Um einen Defekt zu vermeiden, muss sich das Gerät erst in der neuen Umgebung akklimatisiert haben, bevor es an die Stromversorgung angeschlossen werden kann.
- VERWENDEN Sie bei Montage über Kopf immer ein Sicherungsseil.
- Dieses Gerät darf NICHT in Wasser eingetaucht (IP65). Eine vorübergehender Verwendung im Freien ist möglich.
- NIEMALS das Gerät in Betrieb nehmen, wenn Ihnen das Gehäuse, die Linsen oder das Kabel beschädigt erscheinen.
- Schließen Sie dieses Gerät NICHT an einen Dimmer oder Regelwiderstand an.
- Schließen Sie dieses Produkt NUR an einen mit der Erde verbundenen und geschützten Stromkreis an.
- Das Gerät NUR an den Befestigungsbügel oder Griffen tragen.
- Bei ernsthaften Betriebsproblemen stoppen Sie umgehend die Verwendung des Geräts.
- Die maximal zulässige Umgebungstemperatur beträgt 45 °C. Nehmen Sie das Gerät nicht bei höheren Temperaturen in Betrieb.
- Die zulässige Mindesttemperatur für den Start beträgt -20 °C. Starten Sie das Gerät nicht bei niedrigeren Temperaturen.
- Die minimal zulässige Umgebungstemperatur beträgt -30 °C. Nehmen Sie das Gerät nicht bei niedrigeren Temperaturen in Betrieb.

FCC-Konformität

Dieses Gerät erfüllt Teil 15, Teil B, der FCC-Bestimmungen. Der Betrieb ist an folgende zwei Bedingungen geknüpft:

1. Dieses Gerät darf keine schädlichen Interferenzen verursachen, und
2. Dieses Gerät muss empfangende Interferenzen aufnehmen können, auch Interferenzen, die eventuell einen unerwünschten Betrieb verursachen.

Jegliche Änderungen oder Modifikationen, die nicht ausdrücklich von der Partei genehmigt wurden, die für die Compliance zuständig ist, könnten die Berechtigung des Benutzers zum Betrieb dieses Geräts aufheben.

Warnung vor Exposition gegenüber HF für Nordamerika und Australien

Warnung! Dieses Gerät entspricht den FCC-Grenzwerten für Strahlenbelastung, die für eine nicht kontrollierte Umgebung festgelegt wurden. Dieses Gerät sollte so installiert und in Betrieb gesetzt werden, dass ein Mindestabstand von 20 cm zwischen dem Gerät und Ihrem Körper gewährleistet ist. Der Sender darf nicht in der Nähe anderer Antennen oder Sender aufgestellt oder in Verbindung mit anderen Antennen oder Sendern betrieben werden.

Kontakt

Kunden außerhalb der USA, GB, Irland, Benelux, Frankreich, Deutschland oder Mexiko wenden sich an ihren Lieferanten, um den Kundensupport in Anspruch zu nehmen oder ein Produkt zurückzuschicken. Kontaktinformationen finden Sie im [Contact Us](#) am Ende dieses QRG.

Packungsinhalt

- 4 onAir IP Panel 2
- Seetronic Powerkon IP65 Netzkabel
- Omega-Hängebügel mit Befestigungsmaterial
- Junior-Pin
- Schnellanleitung

Wechselstrom

Dieses Gerät verfügt über ein Vorschaltgerät, das automatisch die anliegende Spannung erkennt, sobald der Netzstecker in die Schukosteckdose gesteckt wird, und kann mit einer Eingangsspannung von 100~240 V~, 50/60 Hz arbeiten.

Serienschaltung der Geräte

Sie können bis zu 3 onAir IP Panel 2-Geräte bei 100 V AC, 4 Geräte bei 120 V, 7 Geräte bei 208 V, 8 Geräte bei 230 V, oder 8 Geräte bei 240 V in Serie schalten. Diese Anzahl niemals überschreiten! Stromkabel für die Serienschaltung können separat erworben werden.

Wechselstromstecker

Anschluss	Draht (USA)	Draht (Europa)	Schraubenfarbe
Stromführender AC-Leiter	Schwarz	Braun	Gelb/Messingfarben
AC-Neutralleiter	Weiß	Blau	Silber
AC-Erdungsleiter	Grün/Gelb	Grün/Gelb	Grün

Gleichstrom

Dieses Gerät verfügt über einen 3-poligen XLR-Stromeingang, der mit einer Spannung von 28 VDC betrieben werden kann; dieser wird durch eine kurzschlussgeschützte Stromversorgung: mit SELV-Strom versorgt.



Wird das Gerät gleichzeitig mit Wechsel- und Gleichstrom versorgt, erhält die Wechselstromversorgung automatisch Priorität.



Um unnötigen Verschleiß zu vermeiden und die Lebensdauer des Geräts zu verlängern, trennen Sie während längerer Perioden des Nichtgebrauchs das Gerät vom Stromnetz – entweder per Trennschalter oder durch Herausziehen des Steckers aus der Steckdose.

Signalanschlüsse

Sie können den onAir IP Panel 2 per DMX, Lumenradio CRMX™ oder Ethernet mit einem Controller oder einer Controller-Software verbinden. Werden an die mit Art-Net™ oder sACN kompatible Produkte zusammen mit dem onAir IP Panel 2 verwendet, können Sie jedes der Produkte innerhalb eines einzigen Netzwerks ansteuern. Informationen zum Anschließen und Konfigurieren des Produkts für diese Signale finden Sie in der Bedienungsanleitung.

Steuerungsmodi

Der onAir IP Panel 2 nutzt DMX, CRMX™, Art-Net™, und sACN zur seiner Steuerungsmodi: **1Ch, 3Ch, 4Ch, 5Ch, 6Ch, 8Ch, 11Ch, 15Ch, 16Ch, 18Ch, 23Ch, 32Ch, 16Ch, XYBasic(6), und XYExtended(10).**

DMX-Verbindung

Der onAir IP Panel 2 kann mit einem DMX-Controller betrieben werden, wenn eine 5-polige DMX-Verbindung oder eine drahtlose CRMX™-Verbindung zum Einsatz kommt. Sie können sich eine Einführung in DMX unter www.chauvetprofessional.com herunterladen.

Art-Net™-Verbindung

Art-Net™ ist ein Ethernet-Protokoll, das mit TCP/IP eine große Menge an DMX512-Daten über ein großes Netzwerk an eine Neutrik® etherCON® RJ45-Verbindung überträgt. Das Dokument des Art-Net™-Protokolls können Sie unter www.chauvetprofessional.com herunterladen. Chauvet Professional empfiehlt für beste Ergebnisse die Verwendung von unicast Art-Net™.

Art-Net™-Design und -Copyright Artistic Licence Holdings Ltd.

sACN-Verbindung

Das auch als ANSI E1.31 bekannte Streaming-ACN ist ein Ethernet-Protokoll, das auf das Layering und die Formatierung von Architecture for Control Networks zurückgreift, um DMX512-Daten "over IP" oder ein anderes mit ACN kompatibles Netzwerk übermittelt.

RDM (Remote Device Management)

Remote Device Management bzw. RDM ist ein Standard, mit dem DMX-aktivierte Geräte bidirektional entlang bestehender DMX-Kabel kommunizieren können. Lesen Sie die Bedienungsanleitung des DMX-Controllers oder wenden Sie sich an den Hersteller, da nicht alle DMX-Controller über diese Funktion verfügt. Der onAir IP Panel 2 unterstützt das RDM-Protokoll, das ein Feedback zur Vornahme von Änderungen der Menüoptionen erlaubt. Laden Sie für weiterführende Informationen unter www.chauvetprofessional.com das Benutzerhandbuch herunter.

Software via USB

Das Gerät onAir IP Panel 2 ermöglicht ein Softwareupdate über USB unter Verwendung des integrierten USB-Anschlusses. Zur Aktualisierung der Software mit einem USB-Stick gehen Sie wie folgt vor:

1. Schalten Sie das Gerät an und stecken Sie den Stick in den USB-Anschluss.
2. Sobald der Stick erkannt worden ist, erscheint die Meldung „Upgrade Firmware“ (Firmware aktualisieren). Betätigen Sie <ENTER>.
 - Wird eine andere Meldung angezeigt, suchen Sie im Menü („**Update Firmware**“) nach der aktualisierten Software und aus **Only This Unit, Multiple Units** oder **Other Fixture Type** auswählen. Es wird eine Liste der aktualisierten Software angezeigt.
3. Wählen Sie die hochzuladende Datei aus. Es wird die Meldung „Are you sure“ (Sind Sie sicher?) angezeigt. Betätigen Sie <ENTER>.
4. Ist die ausgewählte Datei korrekt, wird das Upgrade abgeschlossen. Starten Sie das Gerät neu.
 - Ist die ausgewählte Datei falsch, wird das Upgrade nicht ausgeführt und es wird wieder das Hauptmenü angezeigt. Wiederholen Sie die Schritte 1 bis 3 mit der korrekten Datei.



Das Datenformat **.chl** muß im Ordner „**ONAIR**“ auf dem USB-Stick abgelegt werden.



Die Option „**Other Fixture Type**“ kann nur für verbundene Produkte ausgewählt werden, die mit dem Upload 03 kompatibel sind (die ersten 2 Ziffern des Artikelcodes müssen 03 sein).

Drahtloser Betrieb

Unter optimalen Bedingungen kann der onAir IP Panel 2 in einer Entfernung von bis zu 300 m vom CRMX™-Sender betrieben werden. Der CRMX™-Empfänger des onAir IP Panel 2 muss mit dem CRMX™-Sender für den Drahtlos-Betrieb gekoppelt werden.

Ersteinrichtung

1. Schalten Sie den CRMX™-Sender ein.
2. Schließen Sie den CRMX™-Sender an einen DMX-Controller an.
3. Platzieren Sie den onAir IP Panel 2 in einer Entfernung von maximal 300 m zum CRMX™-Sender.
4. Schalten Sie den onAir IP Panel 2 ein.

Konfiguration

1. Rufen Sie auf dem Bedienfeld des onAir IP Panel 2 **DMX Address** auf.
2. Wählen Sie wie bei jedem anderen DMX-kompatiblen Gerät die Startadresse aus.
3. Wählen Sie **Wireless Setting > Receive On/Off**.
4. Wählen Sie **On**. (Die Signalstärkeanzeige zeigt ein ? vor den Balken an.)
5. Drücken Sie auf die Reset-Taste auf dem CRMX™-Sender. (Die Signalstärkeanzeige auf dem onAir IP Panel 2 zeigt für 3 Sekunden, während eine Verbindung hergestellt wird, ein 4 in vor den Balken an.)

Geräte-Pairing

Wurde der onAir IP Panel 2 bereits mit dem CRMX™-Sender gekoppelt, zeigt die Signalstärkeanzeige in der Mitte des Bildschirms die Stärke des Signals an. In diesem Fall ist der onAir IP Panel 2 bereit für einen Betrieb im Drahtlos-Modus.

Koppeln des onAir IP Panel 2 mit dem neuen CRMX™-Sender

1. Rufen Sie auf dem Bedienfeld des onAir IP Panel 2 **Wireless Setting > Receive Reset** auf.
2. Wählen Sie **Yes**.
3. Drücken Sie auf dem CRMX™-Sender auf **<RESET>**. Die Signalanzeige auf dem Sender blinkt.
4. Sobald der Sender den onAir IP Panel 2, gefunden hat, leuchtet die Signalanzeige auf dem CRMX™-Sender dauerhaft.
5. Die Bildschirms des onAir IP Panel 2 zeigt die Stärke des Signals an.

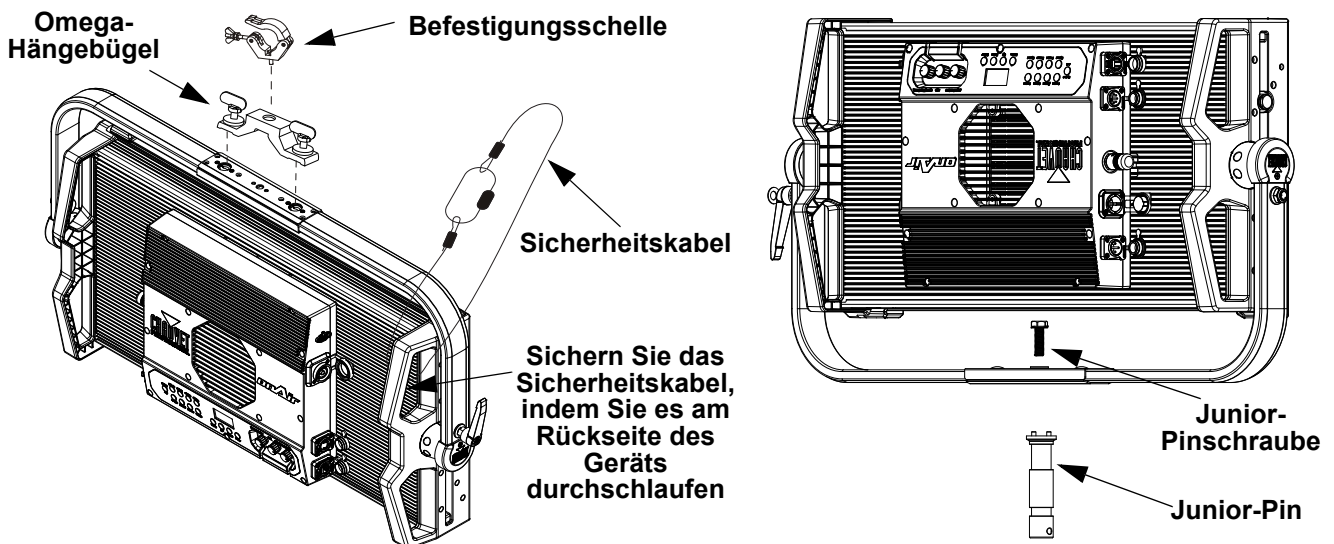


Ein CRMX™-Betrieb kann durch Flüssigkeiten o. Ä. zwischen Sender und Empfänger, wie etwa Wasser, Schnee oder Menschen, unterbrochen oder behindert werden. Für beste Ergebnisse sollte daher der Bereich zwischen Sender und Empfänger von Flüssigkeiten o. Ä. freigehalten werden.

Montage

Lesen Sie vor der Montage dieses Geräts die [Sicherheitshinweise](#) durch. Stellen Sie sicher, dass die Befestigungsklemmen dafür ausgelegt sind, das Produktgewicht tragen zu können. Informationen zu unserer CHAUVET-Produktlinie für Befestigungsklemmen finden Sie unter <http://trusst.com/products>.

Montageansicht



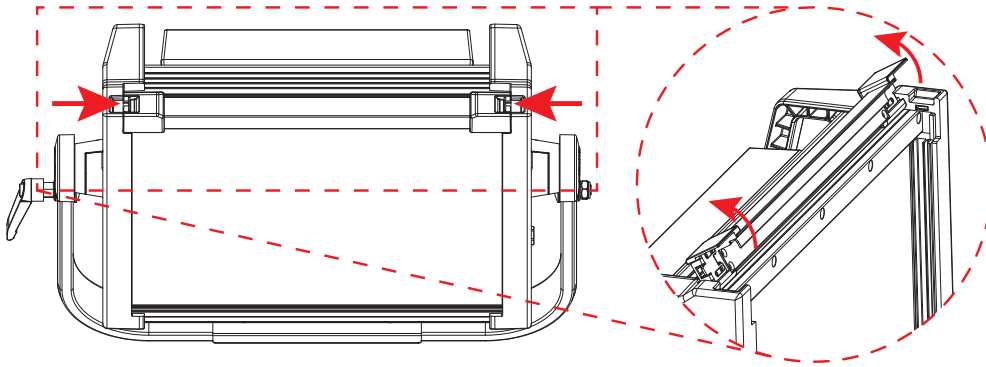
Zubehör-Steckplätze

Der onAir IP Panel 2 verfügt über zwei Zubehör-Steckplätze. An diese gelangt man, indem die Zubehör-Steckplatz-Laschen nach innen gedrückt und die der aufklappbare Zubehör-Steckplätze-Deckel geöffnet wird.



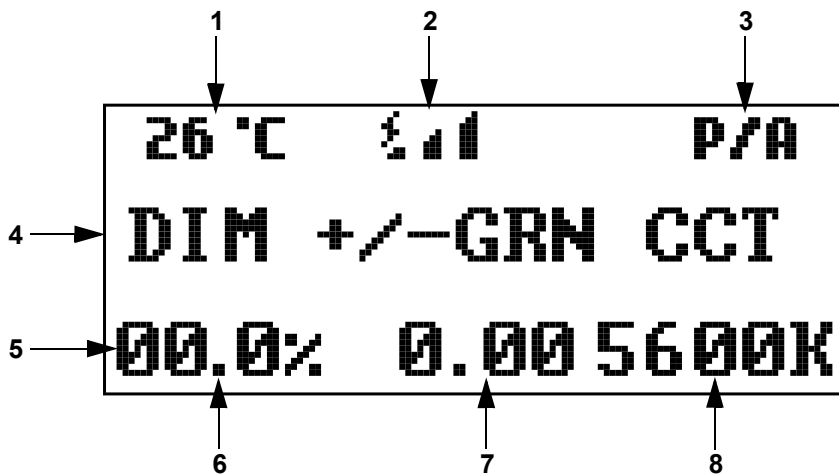
- **Nicht verwenden, wenn der Diffusor entfernt ist. Der Diffusor kann nicht entfernt werden, wenn das Gerät eingeschaltet ist.**
- **Bei fest montierten Beleuchtungsgeräten darf die Gefahrengruppe RG1 bei einem Abstand und 500 Lux nicht überschreiten.**

- Der hintere Steckplatz ist für einen Diffusor oder Verstärker bestimmt.
- Der vordere Steckplatz ist für Zubehör wie etwa ein Wabengitter oder große Klappen bestimmt.



Startbildschirm

Auf dem Startbildschirm des onAir IP Panel 2 werden die aktuellen Einstellungen und der Status des Geräts angezeigt.



Nummer	Beschreibung
1	Aktuelle Gerätetemperatur
2	Aktueller Status des Drahtlos-Signals
3	Aktuelle Voreinstellung oder Voreinstellungs-Bank
4	Die mittlere Linie zeigt den aktuellen Steuerungsmodus an. Zeigt DIM +/-GRN CCT im CCT-Modus, DIM HUE SAT im HSV-Modus, DIM X Y im XY Control-Modus, Master Mode im Master-Modus, Slave Mode im Slave-Modus usw. an
5	Die untere Linie zeigt Details des aktuellen Steuerungsmodus an
6	Aktueller Dimmungs- Intensitätswert (00.0–100%) im CCT-, HSV-, oder XY Control-Modus
7	Aktueller +/-Grünwert (-0,25–+0,25) im CCT-Modus, aktueller Farbtonwert (000–360°) im HSV-Modus, oder X-Wert (0.00–0.850) im XY Control-Modus
8	Aktuelle Farbtemperatur (2800–8000K) im CCT-Modus, Sättigungswert (000–255) im HSV-Modus, oder Y-Wert (0.00–0.850) im XY Control-Modus

Beschreibung des Bedienfeldes

Taste/Knopf	Funktion
<MENU>	Damit verlassen Sie das aktuelle Menü oder die Funktion.
<ENTER>	Damit wird das aktuell angezeigte Menü aktiviert oder der aktuell ausgewählte Wert einer Funktion eingestellt
<UP>	Navigieren Sie sich durch die Menüpunkte nach oben oder erhöhen den numerischen Wert der Funktion
<DOWN>	Navigieren Sie sich durch die Menüpunkte nach unten oder verringern den numerischen Wert der Funktion
<DIM/INTENSITY>	Erhöht oder verringert den Dimmungswert oder die Intensität
<HUE>	Erhöht oder verringert den Farbtonwert oder den X-Wert
<CCT/SATURATION>	Erhöht oder verringert die Farbtemperatur, die Sättigung, oder den Y-Wert.
<PRESET A/B>	Wechselt zwischen A-Voreinstellungen (integriert) und B-Voreinstellungen (benutzerspezifisch) hin und her
<PRESET> (x8)	Wählt eine Voreinstellung aus. Halten Sie die Taste für 3 Sekunden, um das aktuelle Aussehen für die ausgewählte B-Voreinstellung zu speichern.

Menüstruktur

Die neueste Menükarte finden Sie auf der onAir IP Panel 2-Produktseite unter www.chauvetprofessional.com.

Hauptebene	Programmirebenen				Beschreibung
Protocol	DMX512				Legt das Steuerungsprotokoll fest
	Artnet				
	sACN				
DMX Address	001–509*				Wählt die DMX-Adresse aus (der höchste Kanal ist auf die gewählte Eigenschaft beschränkt)
DMX Channel	1Ch	Preset CCTs	Hue	<-25–25>	1-Kanal: wählt eine voreingestellte CCT und einen Farbton
		Manual Color Mixer	Red	<000–255>	1-Kanal: Kombiniert rote, grüne, blaue und weiße Farben zu einer benutzerdefinierten Farbe (0–100%)
			Green	<000–255>	
			Blue	<000–255>	
	White		<000–255>		
	3Ch		3-Kanal: Dimmer, Farbtemperatur, Farbton		
	4Ch		4-Kanal: RGBW		
	5Ch		5-Kanal: 16-Bit-Dimmer, Farbtemperatur, Farbton, Stroboskop		
	6Ch		6-Kanal: Dimmer, RGBW, Stroboskop		
	8Ch		8-Kanal: 16-Bit-RGBW		
	11Ch		11-Kanal: 16-Bit-Dimmer, RGBW, Stroboskop, Farbtemperatur, Farbton, Effektmakros und Geschwindigkeit		
	15Ch		15-Kanal: 16-Bit-Dimmer, 16-Bit-RGBW, Stroboskop, Farbtemperatur, Farbton, Effektmakros und Geschwindigkeit		
	16Ch		16-Kanal: RGBW 1–4		
	18Ch		18-Kanal: Dimmer, RGBW 1–4, Stroboskop		
	23Ch		23-Kanal: Dimmer, RGBW 1–4, Stroboskop, Farbtemperatur, Farbton, Effektmakros und Geschwindigkeit, Steuerung		
32Ch		32-Kanal: 16-Bit-RGBW 1–4			
XYBasic(6)		6-Kanal: 16-Bit-Dimmer, 16-Bit-X, 16-Bit-Y			
XYExtended(10)		10-Kanal: 16-Bit-Dimmer, 16-Bit-X, 16-Bit-Y, Stroboskop, Effektmakros und Geschwindigkeit, Steuerung			
Static	CCT Control				Korrelierte Farbtemperaturregelung
	HSV Control				Farbton, Sättigung, und Wert Steuerung
	XY Control				Kontrolle der X- und Y-Koordinaten
	Preset CCTs	2800K	Dimmer	<000–255>	Wählt eine voreingestellte Farbtemperatur, Dimmer, und Farbton
		2900K			
		3000K			
		3100K			
3200K					
3300K	Hue	<-25–25>			

Hauptebene	Programmirebenen			Beschreibung	
Static (cont.)	Preset CCTs (cont.)	3400K	Dimmer Hue	<000–255> <-25–25>	Wählt eine voreingestellte Farbtemperatur, Dimmer, und Farbton
		3500K			
		3600K			
		3700K			
		3800K			
		3900K			
		4000K			
		4100K			
		4200K			
		4300K			
		4400K			
		4500K			
		4600K			
		4700K			
		4800K			
		4900K			
		5000K			
		5100K			
		5200K			
		5300K			
		5400K			
5500K					
5600K					
5700K					
6000K					
6500K					
7000K					
7500K					
8000K					
	Manual Color Mixer	Red	<000–255>		Kombiniert rote, grüne, blaue und weiße Farben zu einer benutzerdefinierten Farbe (0–100%)
Green					
Blue					
White					
Effect Macros	Color Chase		<001–100>		Wählt eine Effektmakro und Geschwindigkeit
	Police Car				
	Firetruck				
	Fire				
	Clouds				
	Fireworks				
	Paparazzi				
Lightning					
Red Shift	On				Schaltet die rote Umschaltung ein oder aus
	Off				
Master/Slave	Master				Eigenständige-Modus
	Slave				
DMX Loss	Hold Last				Hält das zuletzt erhaltene Signal
	Stop DMX				
	Blackout				
Dimmer Curve	S Curve				Stellt die Dimmungskurve ein
	Linear				
	Square				
	Inverse Square				
Dimmer Mode	Off				Linearer Dimmer
	Dimmer 1–3				

Hauptebene	Programmirebenen		Beschreibung	
Color Calibration	User Calibration	Off	Farbkalibrierung ist deaktivieren	
		Red	<125–255>	
		Green		
		Blue		
		White		
Factory Calibration		Farbkalibrierung wird werkseitig eingestellt		
LED Frequency	600Hz		Stellt die PWM-Frequenz ein	
	1200Hz			
	2000Hz			
	4000Hz			
	6000Hz			
	25KHz			
Fan Mode	Auto		Stellt den Lüfter auf den Auto-Modus ein	
	On		Stellt den Lüfter auf den "immer eingeschaltet"-Modus ein	
	Off		Stellt den Lüfter auf den "immer ausgeschaltet"-Modus ein	
	Silent		Stellt den Lüfter auf den "Leise"-Modus ein	
Wireless Setting	Receive On/Off	Off	Aktiviert/deaktiviert CRMX™	
		On		
	Receive Reset	No	Stellen Sie den Drahtlos-Empfänger zurück	
		Yes		
Wireless To DMX		No	Aktiviert/deaktiviert drahtlose zu DMX	
		Yes		
Back Light	10S		Wird die Hintergrundbeleuchtung der Anzeige nach 10 Sekunden Inaktivität ausgeschaltet	
	30S		Wird die Hintergrundbeleuchtung der Anzeige nach 30 Sekunden ausgeschaltet	
	2Min		Wird die Hintergrundbeleuchtung der Anzeige nach 2 Minuten ausgeschaltet	
	Always On		Hintergrundbeleuchtung immer an	
Ethernet Setting	Universe	000–255 (Art-net™)	Stellt die Art-Net™- oder sACN-Umgebung ein	
		001–256 (sACN)		
	Start Channel	001–512	Stellt die Start-Kanal ein	
	IP Address	2	000–255 . 000–255 . 000–255	Legt IP-Adresse fest
		10		
		239		
Ethernet To DMX	No	Aktiviert/deaktiviert Ethernet zu DMX		
	Yes			
Information	Fixture Hours	<_ _ _ _ _H>	Zeigt an, wie lange das Gerät eingeschaltet gewesen ist	
	LED Hours	<_ _ _ _ _H>	Zeigt an, wie lange der LEDs eingeschaltet gewesen ist	
	Disp Version	<V_ _ _>	Zeigt die aktuelle Bildschirmversion an	
	Drv Version	<V_ _ _>	Zeigt die aktuelle Treiberversion an	
	Net Version	<V_ _ _>	Zeigt die aktuelle Netzwerkversion an	
	Humidity	<_ _ %>	Zeigt die aktuelle Produktfeuchtigkeit an	
	UID	21A40139_ _ _ _	Zeigt die Geräte-UID an	
Update Firmware	Only This Unit	_ _ _ _ _ .CHL	Wählt die Update-Datei für dieses Produkt, oder zeigt "No such file!"	
		...		
	Multiple Units	_ _ _ _ _ .CHL	Wählt die Update-Datei für dieses Produkt und verbundene onAir IP Panel 2-Produkte, oder zeigt "No such file!"	
		...		
	Other Fixture Type	_ _ _ _ _ .CHL	Wählt die Update-Datei für andere verbundene Produkte, oder zeigt "No such file!"	
		...		
Factory Reset	No		Damit stellen Sie das Gerät auf die Werkseinstellungen zurück	
	Yes			

DMX-Werte

XYExtended(10)

Kanal	Funktion	Wert	Prozent/Einstellung
1	Dimmer	000 ⇔ 255	0–100%
2	Feine Dimmer	000 ⇔ 255	0–100%
3	X-Koordinate	000 ⇔ 255	0–100%
4	Feine X-Koordinate	000 ⇔ 255	0–100%
5	Y-Koordinate	000 ⇔ 255	0–100%
6	Feine Y-Koordinate	000 ⇔ 255	0–100%
7	Stroboskop	000 ⇔ 010 011 ⇔ 255	Keine Funktion Stroboskop, langsam bis schnell
8	Effektmakro	000 ⇔ 255	Siehe die Effektmakro-Tabelle
9	Makrogeschwindigkeit	000 ⇔ 255	Geschwindigkeit, langsam bis schnell
10	Kontrolle	000 ⇔ 255	Siehe die Kontrolle-Tabelle

XYBasic(6)

Kanal	Funktion	Wert	Prozent/Einstellung
1	Dimmer	000 ⇔ 255	0–100%
2	Feine Dimmer	000 ⇔ 255	0–100%
3	X-Koordinate	000 ⇔ 255	0–100%
4	Feine X-Koordinate	000 ⇔ 255	0–100%
5	Y-Koordinate	000 ⇔ 255	0–100%
6	Feine Y-Koordinate	000 ⇔ 255	0–100%

32Ch

Kanal	Funktion	Wert	Prozent/Einstellung
1	Rot 1	000 ⇔ 255	0–100%
2	Feine rot 1	000 ⇔ 255	0–100%
3	Grün 1	000 ⇔ 255	0–100%
4	Feine grün 1	000 ⇔ 255	0–100%
5	Blau 1	000 ⇔ 255	0–100%
6	Feine blau 1	000 ⇔ 255	0–100%
7	Weiß 1	000 ⇔ 255	0–100%
8	Feine weiß 1	000 ⇔ 255	0–100%
9	Rot 2	000 ⇔ 255	0–100%
10	Feine rot 2	000 ⇔ 255	0–100%
11	Grün 2	000 ⇔ 255	0–100%
12	Feine grün 2	000 ⇔ 255	0–100%
13	Blau 2	000 ⇔ 255	0–100%
14	Feine blau 2	000 ⇔ 255	0–100%
15	Weiß 2	000 ⇔ 255	0–100%
16	Feine weiß 2	000 ⇔ 255	0–100%
17	Rot 3	000 ⇔ 255	0–100%
18	Feine rot 3	000 ⇔ 255	0–100%
19	Grün 3	000 ⇔ 255	0–100%
20	Feine grün 3	000 ⇔ 255	0–100%
21	Blau 3	000 ⇔ 255	0–100%
22	Feine blau 3	000 ⇔ 255	0–100%
23	Weiß 3	000 ⇔ 255	0–100%
24	Feine weiß 3	000 ⇔ 255	0–100%
25	Rot 4	000 ⇔ 255	0–100%
26	Feine rot 4	000 ⇔ 255	0–100%
27	Grün 4	000 ⇔ 255	0–100%

Kanal	Funktion	Wert	Prozent/Einstellung
28	Feine grün 4	000 ⇔ 255	0–100%
29	Blau 4	000 ⇔ 255	0–100%
30	Feine blau 4	000 ⇔ 255	0–100%
31	Weiß 4	000 ⇔ 255	0–100%
32	Feine weiß 4	000 ⇔ 255	0–100%

23Ch

Kanal	Funktion	Wert	Prozent/Einstellung
1	Dimmer	000 ⇔ 255	0–100%
2	Rot 1	000 ⇔ 255	0–100%
3	Grün 1	000 ⇔ 255	0–100%
4	Blau 1	000 ⇔ 255	0–100%
5	Weiß 1	000 ⇔ 255	0–100%
6	Rot 2	000 ⇔ 255	0–100%
7	Grün 2	000 ⇔ 255	0–100%
8	Blau 2	000 ⇔ 255	0–100%
9	Weiß 2	000 ⇔ 255	0–100%
10	Rot 3	000 ⇔ 255	0–100%
11	Grün 3	000 ⇔ 255	0–100%
12	Blau 3	000 ⇔ 255	0–100%
13	Weiß 3	000 ⇔ 255	0–100%
14	Rot 4	000 ⇔ 255	0–100%
15	Grün 4	000 ⇔ 255	0–100%
16	Blau 4	000 ⇔ 255	0–100%
17	Weiß 4	000 ⇔ 255	0–100%
18	Stroboskop	000 ⇔ 010 011 ⇔ 255	Keine Funktion Stroboskop, langsam bis schnell
19	Farbtemperatur	000 ⇔ 255	Siehe die Farbtemperatur-Tabelle
20	Farbton	000 ⇔ 001 002 ⇔ 255	0 -25–+25
21	Effektmakro	000 ⇔ 255	Siehe die Effektmakro-Tabelle
22	Makrogeschwindigkeit	000 ⇔ 255	Geschwindigkeit, langsam bis schnell
23	Kontrolle	000 ⇔ 255	Siehe die Kontrolle-Tabelle

18Ch

Kanal	Funktion	Wert	Prozent/Einstellung
1	Dimmer	000 ⇔ 255	0–100%
2	Rot 1	000 ⇔ 255	0–100%
3	Grün 1	000 ⇔ 255	0–100%
4	Blau 1	000 ⇔ 255	0–100%
5	Weiß 1	000 ⇔ 255	0–100%
6	Rot 2	000 ⇔ 255	0–100%
7	Grün 2	000 ⇔ 255	0–100%
8	Blau 2	000 ⇔ 255	0–100%
9	Weiß 2	000 ⇔ 255	0–100%
10	Rot 3	000 ⇔ 255	0–100%
11	Grün 3	000 ⇔ 255	0–100%
12	Blau 3	000 ⇔ 255	0–100%
13	Weiß 3	000 ⇔ 255	0–100%
14	Rot 4	000 ⇔ 255	0–100%
15	Grün 4	000 ⇔ 255	0–100%
16	Blau 4	000 ⇔ 255	0–100%

Kanal	Funktion	Wert	Prozent/Einstellung
17	Weiß 4	000 ⇔ 255	0–100%
18	Stroboskop	000 ⇔ 010	Keine Funktion
		011 ⇔ 255	Stroboskop, langsam bis schnell

16Ch

Kanal	Funktion	Wert	Prozent/Einstellung
1	Rot 1	000 ⇔ 255	0–100%
2	Grün 1	000 ⇔ 255	0–100%
3	Blau 1	000 ⇔ 255	0–100%
4	Weiß 1	000 ⇔ 255	0–100%
5	Rot 2	000 ⇔ 255	0–100%
6	Grün 2	000 ⇔ 255	0–100%
7	Blau 2	000 ⇔ 255	0–100%
8	Weiß 2	000 ⇔ 255	0–100%
9	Rot 3	000 ⇔ 255	0–100%
10	Grün 3	000 ⇔ 255	0–100%
11	Blau 3	000 ⇔ 255	0–100%
12	Weiß 3	000 ⇔ 255	0–100%
13	Rot 4	000 ⇔ 255	0–100%
14	Grün 4	000 ⇔ 255	0–100%
15	Blau 4	000 ⇔ 255	0–100%
16	Weiß 4	000 ⇔ 255	0–100%

15Ch

Kanal	Funktion	Wert	Prozent/Einstellung
1	Dimmer	000 ⇔ 255	0–100%
2	Feine Dimmer	000 ⇔ 255	0–100%
3	Rot	000 ⇔ 255	0–100%
4	Feine rot	000 ⇔ 255	0–100%
5	Grün	000 ⇔ 255	0–100%
6	Feine grün	000 ⇔ 255	0–100%
7	Blau	000 ⇔ 255	0–100%
8	Feine blau	000 ⇔ 255	0–100%
9	Weiß	000 ⇔ 255	0–100%
10	Feine weiß	000 ⇔ 255	0–100%
11	Stroboskop	000 ⇔ 010	Keine Funktion
		011 ⇔ 255	Stroboskop, langsam bis schnell
12	Farbtemperatur	000 ⇔ 255	Siehe die Farbtemperatur-Tabelle
13	Farbton	000 ⇔ 001	0
		002 ⇔ 255	-25–+25
14	Effektmakro	000 ⇔ 255	Siehe die Effektmakro-Tabelle
15	Makrogeschwindigkeit	000 ⇔ 255	Geschwindigkeit, langsam bis schnell

11Ch

Kanal	Funktion	Wert	Prozent/Einstellung
1	Dimmer	000 ⇔ 255	0–100%
2	Rot	000 ⇔ 255	0–100%
3	Grün	000 ⇔ 255	0–100%
4	Blau	000 ⇔ 255	0–100%
5	Weiß	000 ⇔ 255	0–100%

Kanal	Funktion	Wert	Prozent/Einstellung
6	Stroboskop	000 ⇔ 010	Keine Funktion
		011 ⇔ 255	Stroboskop, langsam bis schnell
7	Farbtemperatur	000 ⇔ 255	Siehe die Farbtemperatur-Tabelle
8	Farbton	000 ⇔ 001	0
		002 ⇔ 255	-25–+25
9	Effektmakro	000 ⇔ 255	Siehe die Effektmakro-Tabelle
10	Makrogeschwindigkeit	000 ⇔ 255	Geschwindigkeit, langsam bis schnell
11	Kontrolle	000 ⇔ 255	Siehe die Kontrolle-Tabelle

8Ch

Kanal	Funktion	Wert	Prozent/Einstellung
1	Rot	000 ⇔ 255	0–100%
2	Feine rot	000 ⇔ 255	0–100%
3	Grün	000 ⇔ 255	0–100%
4	Feine grün	000 ⇔ 255	0–100%
5	Blau	000 ⇔ 255	0–100%
6	Feine blau	000 ⇔ 255	0–100%
7	Weiß	000 ⇔ 255	0–100%
8	Feine weiß	000 ⇔ 255	0–100%

6Ch

Kanal	Funktion	Wert	Prozent/Einstellung
1	Dimmer	000 ⇔ 255	0–100%
2	Rot	000 ⇔ 255	0–100%
3	Grün	000 ⇔ 255	0–100%
4	Blau	000 ⇔ 255	0–100%
5	Weiß	000 ⇔ 255	0–100%
6	Stroboskop	000 ⇔ 010	Keine Funktion
		011 ⇔ 255	Stroboskop, langsam bis schnell

5Ch

Kanal	Funktion	Wert	Prozent/Einstellung
1	Dimmer	000 ⇔ 255	0–100%
2	Feine dimmer	000 ⇔ 255	0–100%
3	Farbtemperatur	000 ⇔ 255	Siehe die Farbtemperatur-Tabelle
4	Farbton	000 ⇔ 001	0
		002 ⇔ 255	-25–+25
5	Stroboskop	000 ⇔ 010	Keine Funktion
		011 ⇔ 255	Stroboskop, langsam bis schnell

4Ch

Kanal	Funktion	Wert	Prozent/Einstellung
1	Rot	000 ⇔ 255	0–100%
2	Grün	000 ⇔ 255	0–100%
3	Blau	000 ⇔ 255	0–100%
4	Weiß	000 ⇔ 255	0–100%

3Ch

Kanal	Funktion	Wert	Prozent/Einstellung
1	Dimmer	000 ⇔ 255	0–100%
2	Farbtemperatur	000 ⇔ 255	Siehe die Farbtemperatur-Tabelle
3	Farbton	000 ⇔ 001	0
		002 ⇔ 255	-25–+25

1Ch

Kanal	Funktion	Wert	Prozent/Einstellung
1	Dimmer	000 ⇔ 255	0–100% (Farbeinstellung über Menü)

Effektmakro-Tabelle

Wert	Prozent/Einstellung	Wert	Prozent/Einstellung
000 ⇔ 010	Keine Funktion	126 ⇔ 154	Wolken
011 ⇔ 039	Farb-Chase	155 ⇔ 182	Feuerwerk
040 ⇔ 068	Polizeifahrzeug	183 ⇔ 211	Paparazzi
069 ⇔ 096	Feuerwehr	212 ⇔ 240	Blitzlicht
097 ⇔ 125	Feuer	241 ⇔ 255	Keine Funktion

Kontrolle-Tabelle

Wert	Prozent/Einstellung	Wert	Prozent/Einstellung
000 ⇔ 007	Keine Funktion	072 ⇔ 079	Dimmer-Geschwindigkeits-Modus 1 (schnellste)
008 ⇔ 015	Dimmer-zurücksetzen	080 ⇔ 087	Dimmer-Geschwindigkeits-Modus 2
016 ⇔ 023	Rote Umschaltung ein	088 ⇔ 095	Dimmer-Geschwindigkeits-Modus 3 (langsamste)
024 ⇔ 031	Rote Umschaltung aus	096 ⇔ 103	Automatische Geschwindigkeit des Lüfters
032 ⇔ 039	S-Kurve Dimmerkurve	104 ⇔ 111	Lüfter-Modus ein
040 ⇔ 047	Lineare Dimmerkurve	112 ⇔ 119	Lüfter-Modus aus
048 ⇔ 055	Quadratische Dimmerkurve	120 ⇔ 127	Lüfter-Modus stiller
056 ⇔ 063	Inverse quadratische Dimmerkurve	128 ⇔ 255	Reserviert für zukünftige Verwendung
064 ⇔ 071	Dimmer-Geschwindigkeits-Modus aus		

Farbtemperatur-Tabelle

Wert	Prozent/Einstellung	Wert	Prozent/Einstellung
000 ⇔ 005	Keine Funktion	125 ⇔ 131	4500K
006 ⇔ 012	2800K	132 ⇔ 138	4600K
013 ⇔ 019	2900K	139 ⇔ 145	4700K
020 ⇔ 026	3000K	146 ⇔ 152	4800K
027 ⇔ 033	3100K	153 ⇔ 159	4900K
034 ⇔ 040	3200K	160 ⇔ 166	5000K
041 ⇔ 047	3300K	167 ⇔ 173	5100K
048 ⇔ 054	3400K	174 ⇔ 180	5200K
055 ⇔ 061	3500K	181 ⇔ 187	5300K
062 ⇔ 068	3600K	188 ⇔ 194	5400K
069 ⇔ 075	3700K	195 ⇔ 201	5500K
076 ⇔ 082	3800K	202 ⇔ 208	5600K
083 ⇔ 089	3900K	209 ⇔ 215	5700K
090 ⇔ 096	4000K	216 ⇔ 222	6000K
097 ⇔ 103	4100K	223 ⇔ 229	6500K
104 ⇔ 110	4200K	230 ⇔ 236	7000K
111 ⇔ 117	4300K	237 ⇔ 243	7500K
118 ⇔ 124	4400K	244 ⇔ 255	8000K

Over deze handleiding

De onAir IP Panel 2 Beknopte Handleiding bevat basisinformatie over het product, zoals montage, menu-opties en DMX-waarden. Download de gebruikershandleiding op www.chauvetprofessional.com voor meer informatie.

Disclaimer

De informatie en specificaties in deze beknopte handleiding kunnen zonder voorafgaande kennisgeving worden gewijzigd.

BEPERKTE GARANTIE

GA NAAR ONZE WEBSITE VOOR REGISTRATIE VAN DE GARANTIE EN DE VOLLEDIGE ALGEMENE VOORWAARDEN.

Voor klanten in de Verenigde Staten en Mexico: www.chauvetlighting.com/warranty-registration.

Voor klanten in het Verenigd Koninkrijk, Ierland, België, Nederland, Luxemburg, Frankrijk en Duitsland: www.chauvetlighting.eu/warranty-registration.

Chauvet garandeert dat dit product bij normaal gebruik vrij zal blijven van defecten in materiaal en vakmanschap, voor de opgegeven periode en onder voorbehoud van de uitzonderingen en beperkingen die zijn uiteengezet in de volledige beperkte garantie op onze website. Deze garantie geldt uitsluitend voor de oorspronkelijke koper van het product en is niet overdraagbaar. Om onder deze garantie rechten uit te oefenen, moet u een aankoopbewijs overleggen in de vorm van een origineel verkoopbewijs van een geautoriseerde dealer, waarop de naam van het product en de aankoopdatum zichtbaar zijn. ER ZIJN GEEN ANDERE EXPLICIETE OF IMPLICIETE GARANTIES. Deze garantie geeft u specifieke wettelijke rechten. Mogelijk heeft u ook andere rechten die van staat tot staat en van land tot land verschillen. Deze garantie is uitsluitend geldig in de Verenigde Staten, het Verenigd Koninkrijk, Ierland, België, Nederland, Luxemburg, Frankrijk, Duitsland en Mexico. Neem contact op met uw lokale verkoper voor garantievoorwaarden in andere landen.

Veiligheidsinstructies

- De armatuur moet zodanig geplaatst worden dat langdurig staren in de armatuur op een afstand van minder dan 19,7 in (50 cm) voorkomen wordt.
- Als de externe flexibele kabel of het snoer van deze armatuur beschadigd is, moet deze worden vervangen door een speciaal snoer of een snoer dat uitsluitend beschikbaar is bij de fabrikant of zijn onderhoudsagent.
- De lichtbron die in deze armatuur omvat is mag alleen vervangen worden door de fabrikant, of diens onderhoudsagent of een soortgelijk erkend persoon.
- De armatuur is uitsluitend bedoeld voor professioneel gebruik.
- Open het product NIET. Het bevat geen te onderhouden onderdelen.
- KIJK NIET in de lichtbron wanneer het apparaat is ingeschakeld.
- Om onnodige slijtage te elimineren en zijn levensduur te verlengen, gedurende perioden wanneer het product niet wordt gebruikt, moet u het product van de stroom afsluiten door een aardlekschakelaar om te zetten of door het te ontkoppelen.
- LET OP: De behuizing van dit product kan heet zijn wanneer het in bedrijf is.
- Monteer dit product op een plek met voldoende ventilatie, ten minste 50 cm van de aangrenzende oppervlakken.
- Plaats geen ontvlambaar materiaal binnen 7,87 in (20 cm) van dit product als het in gebruik is of is aangesloten op het stopcontact.
- LET OP: Bij het verplaatsen van het product uit extreme omgevingen, (bijv. koude vrachtwagen naar warme, vochtige balzaal) kan er condensvorming optreden op de elektronica van het product. Om storingen te vermijden moet het product volledig kunnen acclimatiseren aan de omgeving voordat het op stroom wordt aangesloten.
- GEBRUIK een veiligheidskabel bij het boven het hoofd plaatsen van dit product.
- Dit product NIET onderdompelen (IP65). Tijdelijke gebruik buitenshuis is prima.
- Gebruik dit product NIET als de behuizing, lenzen of kabels beschadigd lijken.
- Sluit dit product NIET aan op een dimmer of een regelweerstand.
- Sluit dit product UITSLUITEND op een geaard en beveiligd stroomcircuit.
- Gebruik UITSLUITEND de montagebeugel of de hendel om dit product te dragen.
- Stop in het geval van ernstige operationele problemen onmiddellijk met het gebruik.
- De maximale omgevingstemperatuur bedraagt 45 °C. Gebruik dit product niet bij hogere temperaturen.
- De minimale opstarttemperatuur is -20° C. Start het product niet op bij lagere temperaturen.
- De minimale omgevingstemperatuur is -30 °C. Gebruik het product niet bij lagere temperaturen.

FCC-naleving

Dit apparaat voldoet aan Part 15 Part B van de FCC-regels. Het gebruik is onderworpen aan de volgende twee voorwaarden:

1. Dit apparaat mag geen schadelijke interferentie veroorzaken, en
2. Dit apparaat moet enige ontvangen interferentie accepteren, inclusief interferentie die een ongewenste werking kan veroorzaken.

Eventuele wijzigingen of aanpassingen die niet uitdrukkelijk door de voor naleving verantwoordelijke partij zijn goedgekeurd, kan de bevoegdheid van de gebruiker om de apparatuur te bedienen ongeldig verklaren.

RF-blootstellingswaarschuwing voor Noord-Amerika en Australië

Waarschuwing! Deze apparatuur voldoet aan de FCC-limieten voor blootstelling aan straling die zijn vastgesteld voor een ongecontroleerde omgeving. Deze apparatuur moet geplaatst en gebruikt worden met een minimale afstand van 20 cm tussen de radiator en uw lichaam. Deze zender mag niet op dezelfde locatie worden gebruikt als of geplaatst worden bij een andere antenne of zender.

Contact

Van buiten de VS, Verenigd Koninkrijk, Ierland, Benelux, Frankrijk, Duitsland of Mexico kunt u contact opnemen met de distributeur of om ondersteuning vragen dan wel het product retourneren. Raadpleeg [Contact Us](#) aan het einde van deze handleiding voor informatie.

Wat is inbegrepen

- 4 onAir IP Panel 2
- Seetronic Powerkon IP65 stroomsnoer
- Omegabeugel met bevestigingsapparatuur
- Junior-pin
- Beknopte handleiding

AC-stroom

Dit product heeft een voeding met automatisch bereik die werkt met een ingangsspanning van 100–240 V~, 50/60 Hz.

Stroom-linking

U kunt tot 3 onAir IP Panel 2-producten koppelen bij 100 V, 4 producten bij 120 V, 7 producten bij 208 V, 8 producten bij 230 V of 8 producten bij 240 V. Dit aantal niet overschrijden. Power Linking-snoeren kunnen apart aangeschaft worden.

AC-stekker

Aansluiting	Snoer (VS)	Snoer (Europa)	Schroefkleur
AC Live	Zwart	Bruin	Geel/messing
AC Neutraal	Wit	Blauw	Zilver
AC Aarde	Groen/geel	Groen/geel	Groen

Gelijkstroom

Dit product heeft een 3-pins IP65 XLR-voedingsingangspoort die kan werken met een ingangsspanning van 28 V DC, wat een SELV-spanning is die door een kortsluitbestendige voering toegevoerd wordt.



Indien er op hetzelfde moment AC-stroom en DC-stroom aan het product gevoed worden, zal het product automatisch prioriteit geven aan de AC-voedingsingang.



Om onnodige slijtage te elimineren en zijn levensduur te verlengen, gedurende perioden wanneer het product niet wordt gebruikt, moet u het product van de stroom afsluiten door een aardlekschakelaar om te zetten of door het te ontkoppelen.

Signaalverbindingen

U kunt de onAir IP Panel 2 aansluiten op een controller of controllersoftware met behulp van een DMX-aansluiting, een draadloze Lumenradio CRMX™-verbinding of een ethernetverbinding. Bij het gebruik van andere Art-Net™ of sACN-compatibele producten met de onAir IP Panel 2, kunt u deze individueel aansturen op een enkel netwerk. Zie de gebruikershandleiding voor meer informatie over het verbinden en configureren van het product voor deze signalen.

Aansturingspersoonlijkheden

De onAir IP Panel 2 gebruikt DMX, CRMX™, Art-Net™, en sACN voor zijn aansturingspersoonlijkheden: **1Ch, 3Ch, 4Ch, 5Ch, 6Ch, 8Ch, 11Ch, 15Ch, 16Ch, 18Ch, 23Ch, 32Ch, XYBasic(6), en XYExtended(10)**.

DMX-aansluiting

De onAir IP Panel 2 kan met een DMX-controller werken met een 5-pins of draadloze CRMX™-gegevensverbinding. Op www.chauvetprofessional.com is een DMX basishandleiding verkrijgbaar.

Art-Net™-aansluiting

Art-Net™ is een ethernet-protocol dat gebruikmaakt van TCP/IP dat over een groot netwerk grote hoeveelheden DMX512-gegevens verzendt met behulp van een etherCON RJ45-verbinding. Een Art-Net™-protocoldocument is te verkrijgen op www.chauvetprofessional.com. Chauvet Professional raadt het gebruik van unicast-modus voor het beste resultaat.

Art-Net™ ontworpen en auteursrecht door Artistic Licence Holdings Ltd.

sACN-aansluiting

Streaming-ACN staat ook wel bekend als ANSI E1.31 en is een ethernetprotocol dat de laag- en opmaakstructuur gebruikt van Architecture for Control Networks om DMX512-gegevens te transporteren over IP of een ander ACN compatibel netwerk.

RDM (apparaatbeheer op afstand)

Remote Device Management of RDM (apparaatbeheer op afstand) is een standaard die het voor DMX-apparaten mogelijk maakt om in twee richtingen te communiceren over bestaande DMX-kabels. De onAir IP Panel 2 ondersteunt het RDM-protocol dat zorgt feedback toelaat bij de bewaking van wijzigingen aan de menu map-opties van. Download de gebruikershandleiding op www.chauvetprofessional.com voor meer informatie.

USB-softwareupdate

De onAir IP Panel 2 kan via USB een softwareupdate ontvangen via de ingebouwde USB-poort. Ga als volgt te werk om de software via USB bij te werken:

- Schakel het armatuur in en steek de USB-stick in de USB-poort.
- Zodra de flashdrive gedetecteerd is wordt de melding "Upgrade Firmware" weergegeven. Druk op **<ENTER>**.
 - Als er een andere melding op het scherm verschijnt moet u in het menu (**Updated Firmware**, ofwel bijgewerkte firmware) naar de bijgewerkte software zoeken en kies uit **Only This Unit, Multiple Units of Other Fixture Type**. Er wordt een lijst met de bijgewerkte softwarebestanden weergegeven.
- Selecteer het bestand dat geüpload moet worden. Er verschijnt een melding "Are you sure?" (Weet u het zeker?). Druk op **<ENTER>**.
- Als het geselecteerde bestand correct is, wordt de upgrade voltooid. Start de armatuur opnieuw op.
 - Als het geselecteerde bestand onjuist is, zal de upgrade mislukken en gaat het scherm terug naar de hoofdinterface. Herhaal stap 1-3 dan met het juiste bestand.



Het bestand in .chl-formaat moet in de map "ONAIR" op de USB-stick geplaatst worden.



De optie "Other Fixture Type" kan alleen worden geselecteerd voor aangesloten producten die compatibel zijn met Upload 03 (de eerste 2 cijfers van de artikelcode moeten 03 zijn).

Draadloze bediening

In optimale omstandigheden, kan de onAir IP Panel 2 werken tot een afstand van 300 m van de CRMX™ zender. De CRMX™ ontvanger in de onAir IP Panel 2 moet met de CRMX™ zender zijn gekoppeld voor draadloze werking.

Eerste opstelling

1. Schakel de CRMX™-zender in.
2. Sluit de CRMX™-zender aan op een DMX-regelaar.
3. Plaats de onAir IP Panel 2 binnen 300 m van de CRMX™-zender.
4. Schakel de onAir IP Panel 2 in.

Configuratie

1. Ga vanuit het bedieningspaneel van de onAir IP Panel 2 naar het **DMX Address**.
2. Kies het startadres, zoals bij elk ander DMX-compatibel product.
3. Ga naar **Wireless Setting > Receive On/Off**.
4. Kier **On**. (De aanduiding van de signaalsterkte toont een ? voor de streepjes)
5. Druk op de W-DMX-zender op de resetknop. (De indicator van de signaalsterkte op de onAir IP Panel 2 toont 3 seconden een 4 voor de streepjes terwijl een verbinding wordt opgestart.)

Koppelen van het product

Als de onAir IP Panel 2 al is gekoppeld met de CRMX™-zender, toont de indicator voor de signaalsterkte in het midden van het scherm de signaalsterkte. In dit geval is de onAir IP Panel 2 al klaar voor gebruik in de draadloze modus.

Koppelen van de onAir IP Panel 2 en een nieuwe CRMX™-zender

1. Ga vanuit het bedieningspaneel van de onAir IP Panel 2 naar **Wireless Setting > Receive Reset**.
2. Kies **Yes**.
3. Druk vanuit de CRMX™-zender op **<RESET>**. De signaalaanduiding op de zender zal knipperen.
4. Nadat de zender de onAir IP Panel 2 heeft gevonden, zal de signaalaanduiding op de CRMX™ zender onafgebroken branden.
5. De scherm op de onAir IP Panel 2 toont de signaalsterkte.

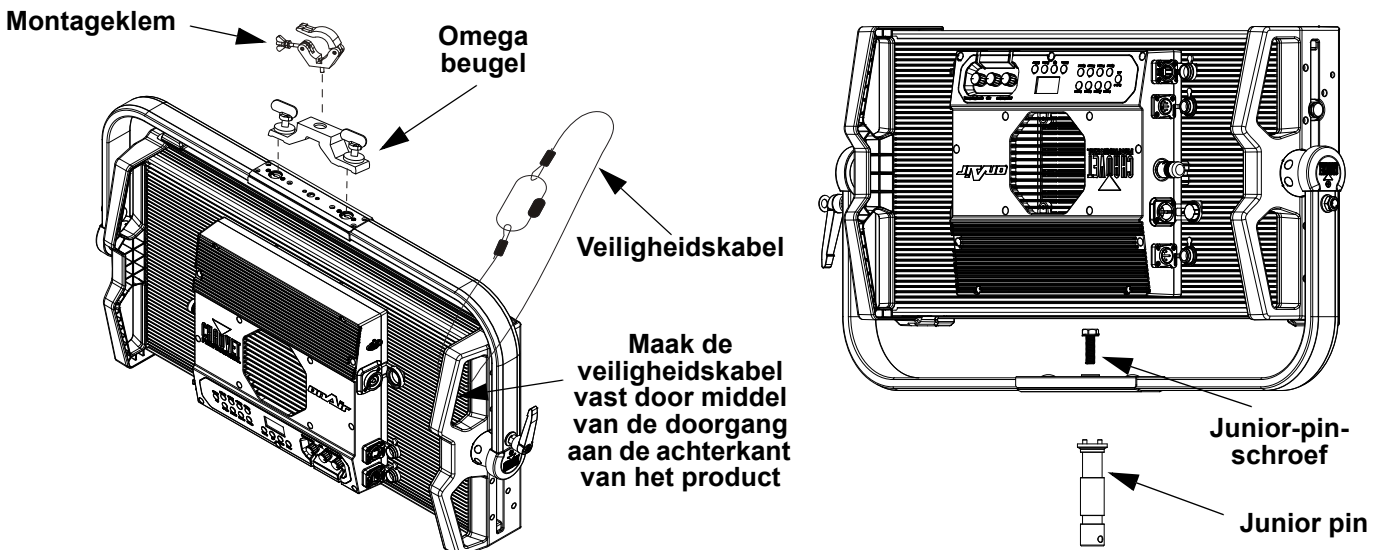


De werking van CRMX™ kan worden verstoord of onderbroken door vloeistofmassa's tussen de zender en de ontvanger, zoals water, sneeuw of mensen. Houd het gebied tussen de zender en de ontvanger voor de beste resultaten vrij van vloeistofmassa.

Montage

Lees alvorens dit product te monteren alle [Veiligheidsinstructies](#). Controleer of de montageklem het gewicht van het product kan dragen. Ga voor onze Chauvet-serie montageklemmen naar <http://trusst.com/products>.

Montagediagram van het product



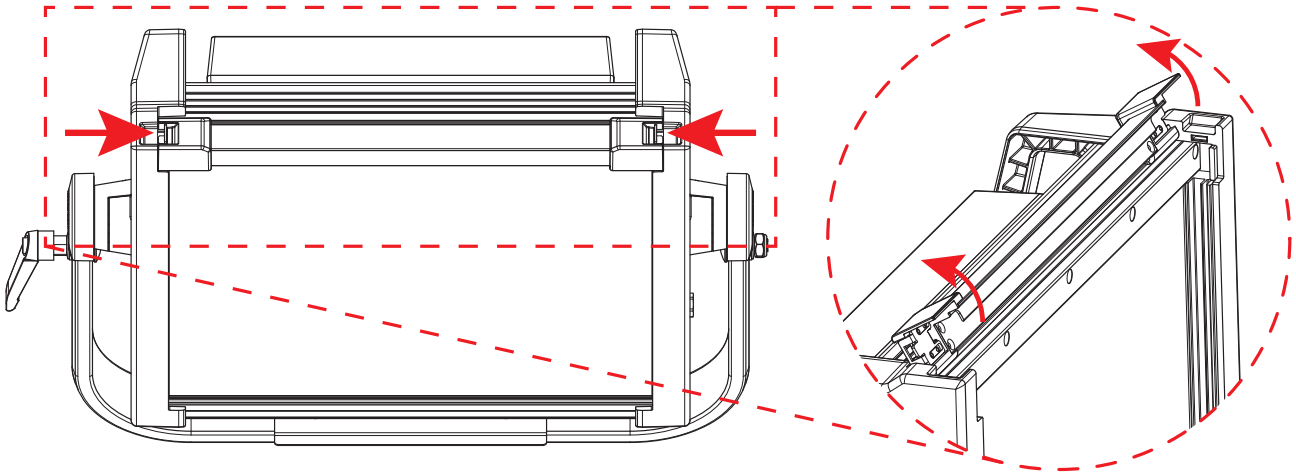
Accessoiresleuven

De onAir IP Panel 2 heeft 2 accessoiresleuven die toegankelijk zijn door de lipjes van de accessoiresleuf naar binnen te drukken en de scharnierafdekking van de accessoiresleuf te openen.



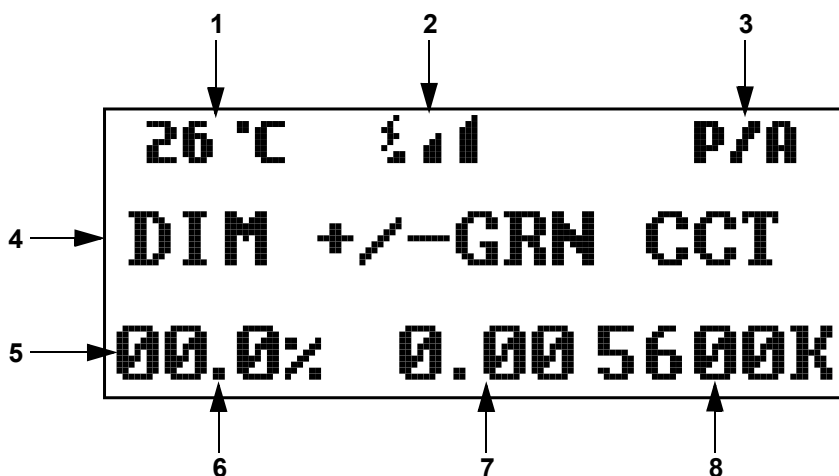
- Niet gebruiken wanneer de diffuser verwijderd is. De diffuser kan niet verwijderd worden wanneer het armatuur is ingeschakeld.
- Voor vast gemonteerde armaturen mag de risicogroep hoger zijn dan RG1 op de afstand van 500 lux.

- De achterste sleuf is voor een diffuser of versterker.
- De voorste sleuf is voor accessoires zoals een honeycomb of barndoors.



Startscherm

Het startscherm van de onAir IP Panel 2 toont de huidige instellingen en status van het product.



Nummer	Beschrijving
1	Huidige producttemperatuur
2	Huidige status van het draadloze signaal
3	Huidige voorinstelling of vooringestelde bank
4	De middelste regel toont de huidige besturingsmodus. Toont DIM +/-GRN CCT in CCT-modus, DIM HUE SAT in HSV-modus, DIM X Y in XY Control-modus, Master Mode in mastermodus, Slave Mode in slave-modus, etc.
5	De onderste regel toont meer informatie over de huidige besturingsmodus
6	Huidige dimmer- of intensiteitswaarde (00.0–100%) in CCT-, HSV-, of XY Control-modus
7	Huidige +/-groenwaarde (-0,5–+0,25) in CCT-modus, tintwaarde (000–360°) in HSV-modus, of X-waarde (0.00–0.850) in XY Control-modus
8	Huidige kleurtemperatuur (2800–8000K) in CCT-modus, verzadigingswaarde (000–255) in HSV-modus, of Y-waarde (0.00–0.850) in XY Control-modus

Beschrijving bedieningspaneel

Toets/Knop	Functie
<MENU>	Sluit het huidige menu of functie af
<ENTER>	Activeert het huidige getoonde menu of plaatst de huidige geselecteerde waarde in de geselecteerde functie
<UP>	Navigeert omhoog via het menu of verhoogt de numerieke waarde wanneer in een functie
<DOWN>	Navigeert omlaag via het menu of verlaagt de numerieke waarde wanneer in een functie
<DIM/INTENSITY>	Verhoogt of verlaagt de dimmerwaarde of de intensiteit
<HUE>	Verhoogt of verlaagt de tintwaarde of de X-waarde
<CCT/SATURATION>	Verhoogt of verlaagt de kleurtemperatuur, de verzadiging, of de Y-waarde
<PRESET A/B>	Schakelt tussen A-voorinstellingen (ingebouwd) en B-voorinstellingen (aangepast)
<PRESET> (x8)	Selecteert een voorinstelling. 3 seconden ingedrukt houden om de huidige look naar de geselecteerde B-voorinstelling op te slaan.

Menupap

Raadpleeg de productpagina van onAir IP Panel 2 op www.chauvetprofessional.com voor de nieuwste menukaart.

Hoofdniveau	Programmeerniveaus				Beschrijving
Protocol	DMX512				Stelt het besturingsprotocol in
	Artnet				
	sACN				
DMX Address	001–509*				Selecteert het start-adres (*hoogste kanaal beperkt tot de gekozen persoonlijkheid)
DMX Channel	1Ch	Preset CCTs	Hue	<-25–25>	1-kanaal: selecteert een vooraf ingestelde CCT en tint
		Manual Color Mixer	Red	<000–255>	1-kanaal: combineert rood, groen, blauw en wit om een aangepaste kleur te genereren (0–100%)
			Green	<000–255>	
			Blue	<000–255>	
	White		<000–255>		
	3Ch		3-kanalen: dimmer, kleurtemperatuur, tint		
	4Ch		4-kanalen: RGBW		
	5Ch		5-kanalen: 16-bit dimmer, kleurtemperatuur, tint, stroboscoop		
	6Ch		6-kanalen: dimmer, RGBW, stroboscoop		
	8Ch		8-kanalen: 16-bit RGBW		
	11Ch		11-kanalen: 16-bit dimmer, RGBW, kleurtemperatuur, tint, stroboscoop, tint, effect macro's en snelheid		
	15Ch		15-kanalen: 16-bit dimmer, 16-bit RGBW, kleurtemperatuur, tint, stroboscoop, tint, effect macro's en snelheid		
	16Ch		16-kanalen: RGBW 1–4		
	18Ch		18-kanalen: dimmer, RGBW 1–4, stroboscoop		
	23Ch		23-kanalen: dimmer, RGBW 1–4, stroboscoop, kleurtemperatuur, tint, effect macro's en snelheid, controle		
32Ch		32-kanalen: 16-bit RGBW 1–4			
XYBasic(6)		6-kanalen: 16-bit dimmer, 16-bit X, 16-bit Y			
XYExtended(10)		10-kanalen: 16-bit dimmer, 16-bit X, 16-bit Y, stroboscoop, effect macro's en snelheid, controle			
Static	CCT Control				Gecorreleerde kleurtemperatuurregeling
	HSV Control				Tint, verzadiging, waarde controle
	XY Control				X en Y-coördinaatbesturing
	Preset CCTs	2800K	Dimmer	<000–255>	Selecteert een vooraf ingestelde kleurtemperatuur, dimmer, en tint
		2900K			
		3000K			
		3100K			
		3200K			
3300K					
3400K					
	Hue	<-25–25>			

Hoofdniveau	Programmeerniveaus			Beschrijving	
Static (cont.)	Preset CCTs (cont.)	3500K	Dimmer Hue	<000–255> <-25–25>	Selecteert een vooraf ingestelde kleurtemperatuur, dimmer, en tint
		3600K			
		3700K			
		3800K			
		3900K			
		4000K			
		4100K			
		4200K			
		4300K			
		4400K			
		4500K			
		4600K			
		4700K			
		4800K			
		4900K			
		5000K			
		5100K			
		5200K			
		5300K			
		5400K			
		5500K			
5600K					
5700K					
6000K					
6500K					
7000K					
7500K					
8000K					
	Manual Color Mixer	Red	<000–255>		Combineert rood, groen, blauw en wit om een aangepaste kleur te genereren (0–100%)
Green					
Blue					
White					
Effect Macros	Color Chase		<001–100>		Selecteert effect macro's en snelheid
	Police Car				
	Firetruck				
	Fire				
	Clouds				
	Fireworks				
	Paparazzi				
Lightning					
Red Shift	On Off				Schakelt rode verschuiving aan of uit
Master/Slave	Master				Zelfstandige-modus
	Slave				Slaaf-modus
DMX Loss	Hold Last				Houdt laatst ontvangen signaal vast
	Stop DMX				Houdt de lichtopbrengst
	Blackout				Verduistert de armatuur
Dimmer Curve	S Curve				Stelt de dimcurve in
	Linear				
	Square				
	Inverse Square				
Dimmer Mode	Off				Lineaire dimmer
	Dimmer 1–3				Selecteert dimprofielen van snel (1) tot langzaam (3)

Hoofdniveau	Programmeerniveaus		Beschrijving	
Color Calibration	User Calibration	Off	Kleurkalibratie uitgeschakeld	
		Red	<125–255>	
		Green		
		Blue		
	White			
Factory Calibration		Kleurkalibratie ingesteld door de fabriek		
LED Frequency	600Hz		Selecteert de PWM-uitgangsfrequentie	
	1200Hz			
	2000Hz			
	4000Hz			
	6000Hz			
	25KHz			
Fan Mode	Auto		Stelt de ventilator in automatische-modus	
	On		Ventilator altijd ingeschakeld	
	Off		Ventilator altijd uitgeschakeld	
	Silent		Stelt de ventilator in stille	
Wireless Setting	Receive On/Off	Off	Schakelt de CRMX™-functie aan/uit	
		On		
	Receive Reset	No	Reset de draadloze ontvanger	
		Yes		
Wireless To DMX	No	Schakelt de draadloze naar DMX-functie in/uit		
	Yes			
Back Light	10S		Schakelt de backlight van de display uit na 10s van inactiviteit	
	30S		Schakelt de backlight van de display uit na 30s	
	2Min		Schakelt de backlight van de display uit na 2 minuten	
	Always On		De backlight van de display is altijd aan	
Ethernet Setting	Universe	000–255 (Art-net™)	Stelt de Art-Net™ of sACN-universe in	
		001–256 (sACN)		
	Start Channel	001–512	Selecteert het start-kanal	
	IP Address	2	000–255 . 000–255 . 000–255	Stelt het IP-adres in
		10		
		239		
Ethernet To DMX	No		Schakelt de ethernet naar DMX-functie in/uit	
	Yes			
Information	Fixture Hours	<_ _ _ _ H>	Toont het totale aantal producturen	
	LED Hours	<_ _ _ _ H>	Toont het totale aantal uren dat de LED-verlichting aan was	
	Disp Version	<V _ _ _>	Toont de geïnstalleerde beeldschermversie	
	Drv Version	<V _ _ _>	Toont de geïnstalleerde stuurprogrammaversie	
	Net Version	<V _ _ _>	Toont de geïnstalleerde netwerkversie	
	Humidity	<_ _ %>	Toont de huidige productvochtigheid	
	UID	21A40139_ _ _ _		Shows product UID
Update Firmware	Only This Unit	_ _ _ _ _ .CHL	Selecteert een updatebestand voor dit product, of toont “No such file!”	
		...		
	Multiple Units	_ _ _ _ _ .CHL	Selecteert een updatebestand voor dit product en verbonden onAir IP Panel 2-producten, of toont “No such file!”	
		...		
	Other Fixture Type	_ _ _ _ _ .CHL	Selecteert een updatebestand voor andere aangesloten producten, of toont “No such file!”	
		...		
Factory Reset	No		Reset naar standaard fabrieksinstellingen	
	Yes			

DMX-waarden
XYExtended(10)

Kanaal	Functie	Waarde	Percentage/Instelling
1	Dimmer	000 ⇔ 255	0–100%
2	Fijne dimmer	000 ⇔ 255	0–100%
3	X-coördinaat	000 ⇔ 255	0–100%
4	Fijne X-coördinaat	000 ⇔ 255	0–100%
5	Y-coördinaat	000 ⇔ 255	0–100%
6	Fijne Y-coördinaat	000 ⇔ 255	0–100%
7	Stroboscoop	000 ⇔ 010 011 ⇔ 255	Geen functie Stroboscoop, langzaam tot snel
8	Effect macro's	000 ⇔ 255	Zie de Effect macro-kaart
9	Effect macro-snelheid	000 ⇔ 255	Snelheid, langzaam tot snel
10	Besturing	000 ⇔ 255	Zie de Besturingskaart

XYBasic(6)

Kanaal	Functie	Waarde	Percentage/Instelling
1	Dimmer	000 ⇔ 255	0–100%
2	Fijne dimmer	000 ⇔ 255	0–100%
3	X-coördinaat	000 ⇔ 255	0–100%
4	Fijne X-coördinaat	000 ⇔ 255	0–100%
5	Y-coördinaat	000 ⇔ 255	0–100%
6	Fijne Y-coördinaat	000 ⇔ 255	0–100%

32Ch

Kanaal	Functie	Waarde	Percentage/Instelling
1	Rood 1	000 ⇔ 255	0–100%
2	Fijne rood 1	000 ⇔ 255	0–100%
3	Groen 1	000 ⇔ 255	0–100%
4	Fijne groen 1	000 ⇔ 255	0–100%
5	Blauw 1	000 ⇔ 255	0–100%
6	Fijne blauw 1	000 ⇔ 255	0–100%
7	Wit 1	000 ⇔ 255	0–100%
8	Fijne wit 1	000 ⇔ 255	0–100%
9	Rood 2	000 ⇔ 255	0–100%
10	Fijne rood 2	000 ⇔ 255	0–100%
11	Groen 2	000 ⇔ 255	0–100%
12	Fijne groen 2	000 ⇔ 255	0–100%
13	Blauw 2	000 ⇔ 255	0–100%
14	Fijne blauw 2	000 ⇔ 255	0–100%
15	Wit 2	000 ⇔ 255	0–100%
16	Fijne wit 2	000 ⇔ 255	0–100%
17	Rood 3	000 ⇔ 255	0–100%
18	Fijne rood 3	000 ⇔ 255	0–100%
19	Groen 3	000 ⇔ 255	0–100%
20	Fijne groen 3	000 ⇔ 255	0–100%
21	Blauw 3	000 ⇔ 255	0–100%
22	Fijne blauw 3	000 ⇔ 255	0–100%
23	Wit 3	000 ⇔ 255	0–100%
24	Fijne wit 3	000 ⇔ 255	0–100%
25	Rood 4	000 ⇔ 255	0–100%
26	Fijne rood 4	000 ⇔ 255	0–100%
27	Groen 4	000 ⇔ 255	0–100%

Kanaal	Functie	Waarde	Percentage/Instelling
28	Fijne groen 4	000 ⇔ 255	0–100%
29	Blauw 4	000 ⇔ 255	0–100%
30	Fijne blauw 4	000 ⇔ 255	0–100%
31	Wit 4	000 ⇔ 255	0–100%
32	Fijne wit 4	000 ⇔ 255	0–100%

23Ch

Kanaal	Functie	Waarde	Percentage/Instelling
1	Dimmer	000 ⇔ 255	0–100%
2	Rood 1	000 ⇔ 255	0–100%
3	Groen 1	000 ⇔ 255	0–100%
4	Blauw 1	000 ⇔ 255	0–100%
5	Wit 1	000 ⇔ 255	0–100%
6	Rood 2	000 ⇔ 255	0–100%
7	Groen 2	000 ⇔ 255	0–100%
8	Blauw 2	000 ⇔ 255	0–100%
9	Wit 2	000 ⇔ 255	0–100%
10	Rood 3	000 ⇔ 255	0–100%
11	Groen 3	000 ⇔ 255	0–100%
12	Blauw 3	000 ⇔ 255	0–100%
13	Wit 3	000 ⇔ 255	0–100%
14	Rood 4	000 ⇔ 255	0–100%
15	Groen 4	000 ⇔ 255	0–100%
16	Blauw 4	000 ⇔ 255	0–100%
17	Wit 4	000 ⇔ 255	0–100%
18	Stroboscoop	000 ⇔ 010 011 ⇔ 255	Geen functie Stroboscoop, langzaam tot snel
19	Kleurtemperatuur	000 ⇔ 255	Zie de Kleurtemperatuurkaart
20	Tint	000 ⇔ 001 002 ⇔ 255	0 -25–+25
21	Effect macro's	000 ⇔ 255	Zie de Effect macro-kaart
22	Effect macro-snelheid	000 ⇔ 255	Snelheid, langzaam tot snel
23	Besturing	000 ⇔ 255	Zie de Besturingskaart

18Ch

Kanaal	Functie	Waarde	Percentage/Instelling
1	Dimmer	000 ⇔ 255	0–100%
2	Rood 1	000 ⇔ 255	0–100%
3	Groen 1	000 ⇔ 255	0–100%
4	Blauw 1	000 ⇔ 255	0–100%
5	Wit 1	000 ⇔ 255	0–100%
6	Rood 2	000 ⇔ 255	0–100%
7	Groen 2	000 ⇔ 255	0–100%
8	Blauw 2	000 ⇔ 255	0–100%
9	Wit 2	000 ⇔ 255	0–100%
10	Rood 3	000 ⇔ 255	0–100%
11	Groen 3	000 ⇔ 255	0–100%
12	Blauw 3	000 ⇔ 255	0–100%
13	Wit 3	000 ⇔ 255	0–100%
14	Rood 4	000 ⇔ 255	0–100%
15	Groen 4	000 ⇔ 255	0–100%
16	Blauw 4	000 ⇔ 255	0–100%

Kanaal	Functie	Waarde	Percentage/Instelling
17	Wit 4	000 ⇔ 255	0–100%
18	Stroboscoop	000 ⇔ 010 011 ⇔ 255	Geen functie Stroboscoop, langzaam tot snel

16Ch

Kanaal	Functie	Waarde	Percentage/Instelling
1	Rood 1	000 ⇔ 255	0–100%
2	Groen 1	000 ⇔ 255	0–100%
3	Blauw 1	000 ⇔ 255	0–100%
4	Wit 1	000 ⇔ 255	0–100%
5	Rood 2	000 ⇔ 255	0–100%
6	Groen 2	000 ⇔ 255	0–100%
7	Blauw 2	000 ⇔ 255	0–100%
8	Wit 2	000 ⇔ 255	0–100%
9	Rood 3	000 ⇔ 255	0–100%
10	Groen 3	000 ⇔ 255	0–100%
11	Blauw 3	000 ⇔ 255	0–100%
12	Wit 3	000 ⇔ 255	0–100%
13	Rood 4	000 ⇔ 255	0–100%
14	Groen 4	000 ⇔ 255	0–100%
15	Blauw 4	000 ⇔ 255	0–100%
16	Wit 4	000 ⇔ 255	0–100%

15Ch

Kanaal	Functie	Waarde	Percentage/Instelling
1	Dimmer	000 ⇔ 255	0–100%
2	Fijne dimmer	000 ⇔ 255	0–100%
3	Rood	000 ⇔ 255	0–100%
4	Fijne rood	000 ⇔ 255	0–100%
5	Groen	000 ⇔ 255	0–100%
6	Fijne groen	000 ⇔ 255	0–100%
7	Blauw	000 ⇔ 255	0–100%
8	Fijne blauw	000 ⇔ 255	0–100%
9	Wit	000 ⇔ 255	0–100%
10	Fijne wit	000 ⇔ 255	0–100%
11	Stroboscoop	000 ⇔ 010 011 ⇔ 255	Geen functie Stroboscoop, langzaam tot snel
12	Kleurtemperatuur	000 ⇔ 255	Zie de Kleurtemperatuurkaart
13	Tint	000 ⇔ 001 002 ⇔ 255	0 -25–+25
14	Effect macro's	000 ⇔ 255	Zie de Effect macro-kaart
15	Effect macro-snelheid	000 ⇔ 255	Snelheid, langzaam tot snel

11Ch

Kanaal	Functie	Waarde	Percentage/Instelling
1	Dimmer	000 ⇔ 255	0–100%
2	Rood	000 ⇔ 255	0–100%
3	Groen	000 ⇔ 255	0–100%
4	Blauw	000 ⇔ 255	0–100%
5	Wit	000 ⇔ 255	0–100%

NL

Kanaal	Functie	Waarde	Percentage/Instelling
6	Stroboscoop	000 ⇔ 010	Geen functie
		011 ⇔ 255	Stroboscoop, langzaam tot snel
7	Kleurtemperatuur	000 ⇔ 255	Zie de Kleurtemperatuurkaart
8	Tint	000 ⇔ 001	0
		002 ⇔ 255	-25–+25
9	Effect macro's	000 ⇔ 255	Zie de Effect macro-kaart
10	Effect macro-snelheid	000 ⇔ 255	Snelheid, langzaam tot snel
11	Besturing	000 ⇔ 255	Zie de Besturingskaart

8Ch

Kanaal	Functie	Waarde	Percentage/Instelling
1	Rood	000 ⇔ 255	0–100%
2	Fijne rood	000 ⇔ 255	0–100%
3	Groen	000 ⇔ 255	0–100%
4	Fijne groen	000 ⇔ 255	0–100%
5	Blauw	000 ⇔ 255	0–100%
6	Fijne blauw	000 ⇔ 255	0–100%
7	Wit	000 ⇔ 255	0–100%
8	Fijne wit	000 ⇔ 255	0–100%

6Ch

Kanaal	Functie	Waarde	Percentage/Instelling
1	Dimmer	000 ⇔ 255	0–100%
2	Rood	000 ⇔ 255	0–100%
3	Groen	000 ⇔ 255	0–100%
4	Blauw	000 ⇔ 255	0–100%
5	Wit	000 ⇔ 255	0–100%
6	Stroboscoop	000 ⇔ 010	Geen functie
		011 ⇔ 255	Stroboscoop, langzaam tot snel

5Ch

Kanaal	Functie	Waarde	Percentage/Instelling
1	Dimmer	000 ⇔ 255	0–100%
2	Fijne dimmer	000 ⇔ 255	0–100%
3	Kleurtemperatuur	000 ⇔ 255	Zie de Kleurtemperatuurkaart
4	Tint	000 ⇔ 001	0
		002 ⇔ 255	-25–+25
5	Stroboscoop	000 ⇔ 010	Geen functie
		011 ⇔ 255	Stroboscoop, langzaam tot snel

4Ch

Kanaal	Functie	Waarde	Percentage/Instelling
1	Rood	000 ⇔ 255	0–100%
2	Groen	000 ⇔ 255	0–100%
3	Blauw	000 ⇔ 255	0–100%
4	Wit	000 ⇔ 255	0–100%

3Ch

Kanaal	Functie	Waarde	Percentage/Instelling
1	Dimmer	000 ⇔ 255	0–100%
2	Kleurtemperatuur	000 ⇔ 255	Zie de Kleurtemperatuurkaart
3	Tint	000 ⇔ 001 002 ⇔ 255	0 -25–+25

1Ch

Kanaal	Functie	Waarde	Percentage/Instelling
1	Dimmer	000 ⇔ 255	0–100% (kleur ingesteld via menu)

Effect macro-kaart

Waarde	Percentage/Instelling	Waarde	Percentage/Instelling
000 ⇔ 010	Geen functie	126 ⇔ 154	Wolken
011 ⇔ 039	Kleurachtervolging	155 ⇔ 182	Vuurwerk
040 ⇔ 068	Politieauto	183 ⇔ 211	Paparazzi
069 ⇔ 096	Brandweerwagen	212 ⇔ 240	Bliksem
097 ⇔ 125	Brand	241 ⇔ 255	Geen functie

Besturingskaart

Waarde	Percentage/Instelling	Waarde	Percentage/Instelling
000 ⇔ 007	Geen functie	072 ⇔ 079	Dimmer snelheidsmodus 1 (snel)
008 ⇔ 015	Reset dimmer	080 ⇔ 087	Dimmer snelheidsmodus 2
016 ⇔ 023	Schakelt rode verschuiving aan	088 ⇔ 095	Dimmer snelheidsmodus 3 (langzaam)
024 ⇔ 031	Schakelt rode verschuiving uit	096 ⇔ 103	Ventilator-modus automatische
032 ⇔ 039	S-curve dimcurve	104 ⇔ 111	Ventilator-modus ingeschakeld
040 ⇔ 047	Lineaire dimcurve	112 ⇔ 119	Ventilator-modus uitgeschakeld
048 ⇔ 055	Vierkant dimcurve	120 ⇔ 127	Ventilator-modus stille
056 ⇔ 063	Omgekeerde vierkante dimcurve	128 ⇔ 255	Gereserveerd voor toekomstig gebruik
064 ⇔ 071	Dimmer snelheidsmodus uit		

Kleurtemperatuurkaart

Waarde	Percentage/Instelling	Waarde	Percentage/Instelling
000 ⇔ 005	Geen functie	125 ⇔ 131	4500K
006 ⇔ 012	2800K	132 ⇔ 138	4600K
013 ⇔ 019	2900K	139 ⇔ 145	4700K
020 ⇔ 026	3000K	146 ⇔ 152	4800K
027 ⇔ 033	3100K	153 ⇔ 159	4900K
034 ⇔ 040	3200K	160 ⇔ 166	5000K
041 ⇔ 047	3300K	167 ⇔ 173	5100K
048 ⇔ 054	3400K	174 ⇔ 180	5200K
055 ⇔ 061	3500K	181 ⇔ 187	5300K
062 ⇔ 068	3600K	188 ⇔ 194	5400K
069 ⇔ 075	3700K	195 ⇔ 201	5500K
076 ⇔ 082	3800K	202 ⇔ 208	5600K
083 ⇔ 089	3900K	209 ⇔ 215	5700K
090 ⇔ 096	4000K	216 ⇔ 222	6000K
097 ⇔ 103	4100K	223 ⇔ 229	6500K
104 ⇔ 110	4200K	230 ⇔ 236	7000K
111 ⇔ 117	4300K	237 ⇔ 243	7500K
118 ⇔ 124	4400K	244 ⇔ 255	8000K

Contact Us

General Information	Technical Support
Chauvet World Headquarters	
Address: 5200 NW 108th Ave. Sunrise, FL 33351 Voice: (954) 577-4455 Fax: (954) 929-5560 Toll Free: (800) 762-1084	Voice: (844) 393-7575 Fax: (954) 756-8015 Email: chauvetcs@chauvetlighting.com Website: www.chauvetprofessional.com
Chauvet Europe Ltd.	
Address: Unit 1C Brookhill Road Industrial Estate Pinxton, Nottingham, UK NG16 6NT Voice: +44 (0) 1773 511115 Fax: +44 (0) 1773 511110	Email: UKtech@chauvetlighting.eu Website: www.chauvetprofessional.eu
Chauvet Europe BVBA	
Address: Stokstraat 18 9770 Kruishoutem Belgium Voice: +32 9 388 93 97	Email: BNLtech@chauvetlighting.eu Website: www.chauvetprofessional.eu
Chauvet France	
Address: 3, Rue Ampère 91380 Chilly-Mazarin France Voice: +33 1 78 85 33 59	Email: FRtech@chauvetlighting.fr Website: www.chauvetprofessional.eu
Chauvet Germany	
Address: Bruno-Bürgel-Str. 11 28759 Bremen Germany Voice: +49 421 62 60 20	Email: DEtech@chauvetlighting.de Website: www.chauvetprofessional.eu
Chauvet Mexico	
Address: Av. de las Partidas 34 - 3B (Entrance by Calle 2) Zona Industrial Lerma Lerma, Edo. de México, CP 52000 Voice: +52 (728) 690-2010	Email: servicio@chauvet.com.mx Website: www.chauvetprofessional.mx

Visit the applicable website above to verify our contact information and instructions to request support. Outside the U.S., U. K., Ireland, Mexico, France, Germany, or Benelux, contact the dealer of record.



UL 1573
CSA C22.2 No. 166
US E113093



RoHS

