

USER MANUAL

# ROGUE



## **Edition Notes**

The Rogue Outcast 1 Hybrid User Manual includes a description, safety precautions, installation, programming, operation, and maintenance instructions for the Rogue Outcast 1 Hybrid.

## **Trademarks**

CHAUVET, the Chauvet logo, and Rogue Outcast 1 Hybrid are registered trademarks or trademarks of Chauvet & Sons, LLC (d/b/a Chauvet and Chauvet Lighting) in the United States and other countries. Other company and product names and logos referred to herein may be trademarks of their respective companies.

## **Copyright Notice**

The works of authorship contained in this manual, including, but not limited to, all designs, texts, and images are owned by Chauvet.

© **Copyright 2020 Chauvet & Sons, LLC. All rights reserved.**

Electronically published by Chauvet in the United States of America.

## **Manual Use**

Chauvet authorizes its customers to download and print this manual for professional information purposes only. Chauvet expressly prohibits the usage, copy, storage, distribution, modification, or printing of this manual or its content for any other purpose without written consent from Chauvet.

## **Document Printing**

For best results, print this document in color, on letter size paper (8.5 x 11 in), double-sided. If using A4 paper (210 x 297 mm), configure the printer to scale the content accordingly.

## **Intended Audience**

Any person installing, operating, and/or maintaining this product should completely read through the guide that shipped with the product, as well as this manual, before installing, operating, or maintaining this product.

## **Disclaimer**

Chauvet believes that the information contained in this manual is accurate in all respects. However, Chauvet assumes no responsibility and specifically disclaims any and all liability to any party for any loss, damage or disruption caused by any errors or omissions in this document, whether such errors or omissions result from negligence, accident or any other cause. Chauvet reserves the right to revise the content of this document without any obligation to notify any person or company of such revision, however, Chauvet has no obligation to make, and does not commit to make, any such revisions. Download the latest version from [www.chauvetprofessional.com](http://www.chauvetprofessional.com)

## **Document Revision**

This Rogue Outcast 1 Hybrid User Manual is the 2<sup>nd</sup> edition of this document. Go to [www.chauvetprofessional.com](http://www.chauvetprofessional.com) for the latest version.

TABLE OF CONTENTS

<b>1. Before You Begin .....</b>	<b>3</b>
What Is Included .....	3
Claims .....	3
Manual Conventions .....	3
Symbols .....	3
Expected LED Lifespan.....	3
Safety Notes.....	4
Personal Safety.....	4
Mounting and Rigging .....	4
Power and Wiring.....	4
Operation .....	4
<b>2. Introduction .....</b>	<b>5</b>
Description .....	5
Features.....	5
Product Overview.....	5
Product Dimensions.....	6
<b>3. Setup .....</b>	<b>7</b>
AC Power.....	7
AC Plug.....	7
Fuse Replacement.....	7
DMX Linking.....	7
DMX Personalities.....	7
Remote Device Management (RDM).....	7
Mounting .....	8
Orientation.....	8
Rigging.....	8
Procedure.....	8
Lamp Replacement.....	9
Procedure.....	9
Increasing the Lamp's Life .....	9
<b>4. Operation .....</b>	<b>10</b>
Control Panel Operation.....	10
Programming.....	10
Control Panel Lock.....	10
Configuration (DMX) .....	10
Control Personalities .....	10
Starting Address.....	10
Menu Map .....	11
DMX Values .....	14
25CH.....	14
20CH.....	19
Color Wheel .....	23
Gobo Wheel .....	24
Configuration (Standalone) .....	25
Run Mode.....	25
Setup.....	25
Reset Function .....	27
Factory Reset Function .....	27
System Information .....	27

Offset Mode.....	28
Pan.....	28
Tilt.....	28
Dimmer.....	28
Color.....	28
Gobo.....	28
Prism 1.....	28
Rotating Prism 1.....	28
Prism 2.....	28
Rotating Prism 2.....	28
Focus.....	28
Frost.....	28
Mac 4.....	28
Mac 5.....	28
Mac 6.....	28
<b>5. Technical Information.....</b>	<b>29</b>
Product Maintenance.....	29
<b>6. Technical Specifications.....</b>	<b>30</b>
<b>Returns.....</b>	<b>31</b>
<b>Contact Us.....</b>	<b>32</b>



# 1. Before You Begin

## What Is Included

- Rogue Outcast 1 Hybrid
- Neutrik® powerCON® power cord
- 2 Omega brackets with mounting hardware
- Quick Reference Guide

## Claims

Carefully unpack the product immediately and check the container to make sure all the parts are in the package and are in good condition.






If the box or the contents (the product and included accessories) appear damaged from shipping, or show signs of mishandling, notify the carrier immediately, not Chauvet. Failure to report damage to the carrier immediately may invalidate your claim. In addition, keep the box and contents for inspection.

For other issues, such as missing components or parts, damage not related to shipping, or concealed damage, file a claim with Chauvet within 7 days of delivery.

## Manual Conventions

Convention	Meaning
1–512	A range of values
50/60	A set of values of which only one can be chosen
<SET>	A button on the product's control panel
Settings	A product function or a menu option

## Symbols

Symbol	Meaning
	Electrical warning. Not following these instructions may cause electrical damage to the product, accessories, or the user.
	Critical installation, configuration, or operation information. Not following these instructions may make the product not work, cause damage to the product, or cause harm to the operator.
	Important installation or configuration information. The product may not function correctly if this information is not used.
	Useful information.
	The term “DMX” used throughout this manual refers to the USITT DMX512-A digital data transmission protocol.

## Expected LED Lifespan

LEDs gradually decline in brightness over time, primarily because of heat. LEDs that are arranged in clusters experience higher operating temperatures than single LEDs. For this reason, operating clustered LEDs at their fullest intensity significantly reduces the LEDs' lifespan. Under normal conditions, this lifespan is 40,000 to 50,000 hours. If extending this lifespan is vital, lower the operating temperature by improving the ventilation around the product, thus reducing the ambient temperature. In addition, limiting the overall projection intensity may extend the LEDs' lifespan.

## Safety Notes

Read all the following safety notes before working with this product. These notes contain important information about the installation, usage, and maintenance of this product.



**This product contains no user-serviceable parts. Any reference to servicing in this User Manual will only apply to properly trained, certified technicians. Do not open the housing or attempt any repairs.**



**All applicable local codes and regulations apply to proper installation of this product.**

## Personal Safety

- Avoid direct eye exposure to the light source while the product is on.
- Always disconnect the product from the power source before cleaning or replacing the fuse.
- Always connect the product to a grounded circuit to avoid the risk of electrocution.
- Do not touch the product's housing when operating because it may be very hot.

## Mounting and Rigging

- The product is intended for professional use only.
- This product is for indoor use only! To prevent risk of fire or shock, do not expose this product to rain or moisture. (IP20)
- CAUTION: When transferring product from extreme temperature environments, (e.g., cold truck to warm, humid ballroom) condensation may form on the internal electronics of the product. To avoid causing a failure, allow product to fully acclimate to the surrounding environment before connecting it to power.
- Always ask for help when mounting this product to avoid personal injuries or damage to the product
- Mount this product in a location with adequate ventilation, at least 20 in (50 cm) from adjacent surfaces.
- Make sure there are no flammable materials close to the product when operating.
- When hanging this product, always secure to a fastening device using a safety cable.
- The product should be positioned so that prolonged staring into the luminaire at a distance closer than 2.3 m is not expected.

## Power and Wiring

- Always make sure you are connecting the product to the proper voltage in accordance with the specifications in this manual or on the product's specification label.
- Never connect the product to a dimmer pack or rheostat.
- Never disconnect this product by pulling or tugging on the power cable.
- If the external flexible cable or cord of this product is damaged, it shall be replaced with a special cable or cord exclusively available from the manufacturer or its service agent.

## Operation

- Do not operate this product if there is damage on the housing, lenses, or cables. Have the damaged parts replaced by an authorized technician at once.
- To eliminate unnecessary wear and improve its lifespan, during periods of non-use completely disconnect the product from power via breaker or by unplugging it.
- Do not cover the ventilation slots when operating to avoid internal overheating.
- Do not aim this product toward the sun. The lenses could concentrate the solar energy and cause internal overheating.
- The maximum ambient temperature is 113 °F (45 °C). Do not operate the product at higher temperatures.
- In the event of a serious operation problem, stop using this product immediately!



**If your Chauvet product requires service, contact Chauvet Technical Support.**

## 2. Introduction

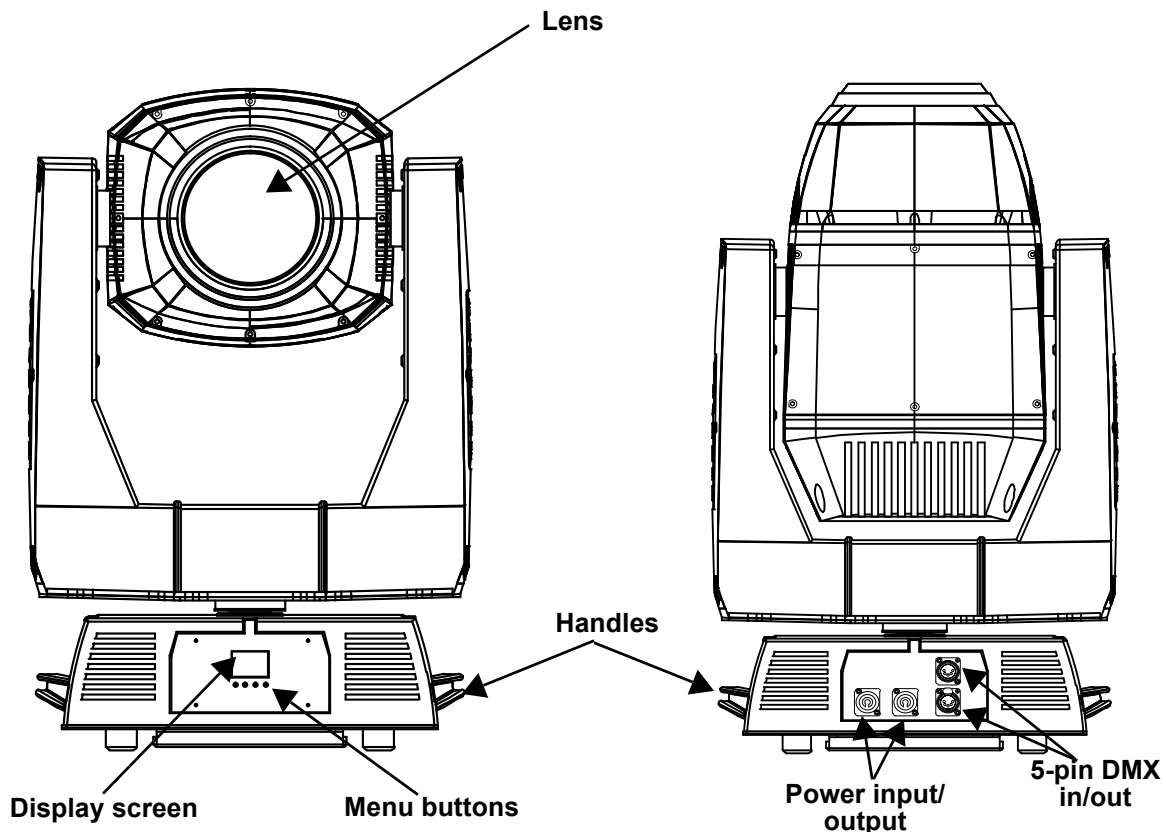
### Description

The Rogue Outcast 1 Hybrid is an outdoor-ready, IP65 spot/beam/wash moving head ideal for small to medium festivals and events. Powered by an intense 400W lamp, Rogue Outcast 1 Hybrid delivers a 6500K output with tight beam angles of 1° to 5° in Beam Mode and a zoom range of 4° to 24° in Spot Mode and 9° to 26° in Wash Mode for maximum visual impact. This feature-packed unit offers 1 rotating and 1 static gobo wheel, 2 individually controllable 8- and 5-facet stackable prisms, and a 14-hue color wheel for solid and split colors. Control is over DMX and RDM.

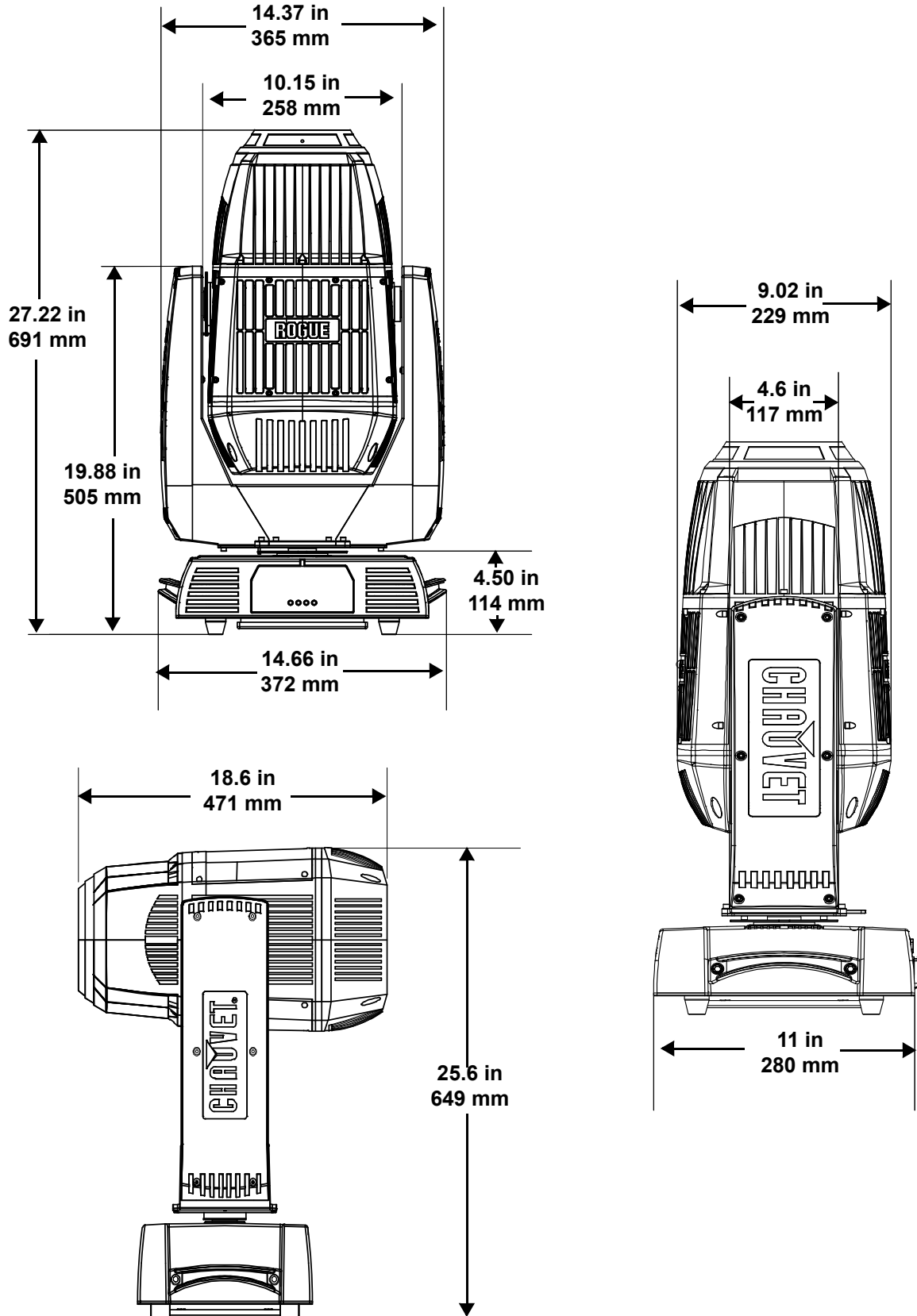
### Features

- Fully featured, IP65-rated, high-powered Spot/Beam/Wash combination fixture with an USHIO 400 W, 6500 K with 6,000 hour life expectancy lamp, two gobo wheels, two-layer prisms, and linear zoom.
- Rugged housing designed to withstand the elements in a temporary outdoor setting
- Six-facet linear and eight-facet round prisms for maximizing visual impact
- Frost and beam flattening options for even light distribution
- Tight 1° narrow beam angle for focused air effects
- Linear zoom of 2° to 15° in beam mode, 3.7° to 24.3° in spot mode, and 9.3° to 25.6° in wash mode for coverage in any application
- 9 rotating and 13 static gobos for massive visual effect
- DMX and RDM protocol control
- True 1-compatible power input

### Product Overview



**Product Dimensions**



### 3. Setup

#### AC Power

Each Rogue Outcast 1 Hybrid has an auto-ranging power supply that works with an input voltage range of 100 to 240 VAC, 50/60 Hz. To determine the power requirements for each Rogue Outcast 1 Hybrid, refer to the label affixed to the product. You can also refer to the [Technical Specifications](#) chart in this manual.

The listed current rating indicates the maximum current draw during normal operation. For more information, download Sizing Circuit Breakers from the Chauvet website: [www.chauvetprofessional.com](http://www.chauvetprofessional.com).



- **Always connect the product to a protected circuit (a circuit breaker or fuse). Make sure the product has an appropriate electrical ground to avoid the risk of electrocution or fire.**
- **To eliminate unnecessary wear and improve its lifespan, during periods of non-use completely disconnect the product from power via breaker or by unplugging it.**



**Never connect the product to a rheostat (variable resistor) or dimmer circuit, even if the rheostat or dimmer channel serves only as a 0 to 100% switch.**

#### AC Plug

The Rogue Outcast 1 Hybrid comes with a power input cord terminated with a Neutrik® powerCON® A connector on one end and an Edison plug on the other end (U.S. market). If the power input cord that came with the product has no plug, or if the plug needs to be changed, use the table below to wire the new plug.

Connection	Wire (U.S.)	Wire (Europe)	Screw Color
AC Live	Black	Brown	Yellow or Brass
AC Neutral	White	Blue	Silver
AC Ground	Green/Yellow	Green/Yellow	Green

#### Fuse Replacement

1. Disconnect this product from the power outlet.
2. Using a flat-head screwdriver, unscrew the fuse holder cap from the housing.
3. Remove the blown fuse and replace with another fuse of the same type and rating (F 7 A, 250 V).
4. Screw the fuse holder cap back in place and reconnect power.



**Make sure to disconnect the product’s power cord before replacing a blown fuse. Always replace the blown fuse with another of the same type and rating.**

#### DMX Linking

The Rogue Outcast 1 Hybrid can be linked to a DMX controller using a 5-pin DMX connection. If using other DMX-compatible products with this product, each can be controlled individually with a single DMX controller.

#### DMX Personalities

The Rogue Outcast 1 Hybrid uses a 5-pin DMX data connection for the 20- and 25-channel DMX personalities.

- Refer to the [Introduction](#) for a brief description of each DMX personality.
- Refer to the [Operation](#) chapter to learn how to configure the Rogue Outcast 1 Hybrid to work in these personalities.
- The [DMX Values](#) section provides detailed information regarding the DMX personalities.

#### Remote Device Management (RDM)

Remote Device Management, or RDM, is a standard for allowing DMX-enabled devices to communicate bi-directionally along existing DMX cabling. Check the DMX controller’s User Manual or with the manufacturer, as not all DMX controllers have this capability. The Rogue Outcast 1 Hybrid supports RDM protocol that allows feedback to make changes to menu map options.

## Mounting

Before mounting the product, read and follow the safety recommendations indicated in the Safety Notes. For our CHAUVET Professional line of mounting clamps, go to <http://trusst.com/products/>.

### Orientation

Always mount this product in a safe position, making sure there is adequate room for ventilation, configuration, and maintenance.

### Rigging

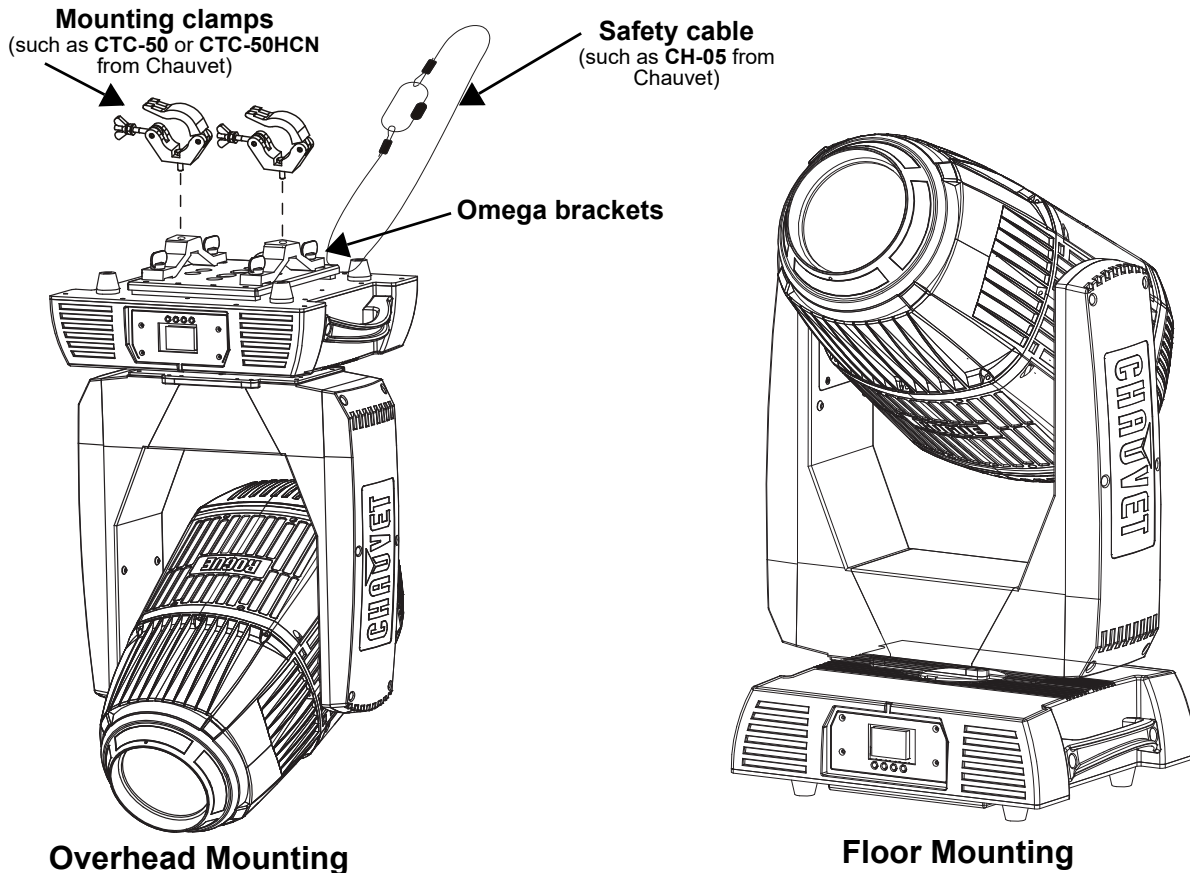
Chauvet recommends using the following general guidelines when mounting this product.

- Before deciding on a location for the product, make sure there is easy access to the product for maintenance and programming purposes.
- Make sure that the structure onto which you are mounting the product can support the product's weight. See the [Technical Specifications](#) for weight information.
- When mounting the product overhead, always use a safety cable. Mount the product securely to a rigging point, whether an elevated platform or a truss.
- When rigging the product onto a truss, use a mounting clamp of appropriate weight capacity.
- When power linking multiple products, mount the products close enough for power linking cables to reach.
- The bracket adjustment knobs allow for directional adjustment when aiming the product to the desired angle. Only loosen or tighten the bracket knobs manually. Using tools could damage the knobs.

### Procedure

The Rogue Outcast 1 Hybrid comes with a double-bracketed yoke to which you can either attach mounting clamps for hanging or simply use as a floor stand. You must supply the mounting clamps. Make sure the clamps are capable of supporting the weight of this product. Use at least one mounting point per product. For the CHAUVET Professional line of mounting clamps, go to <http://www.trusst.com/products>.

### Mounting Diagram



## Lamp Replacement

The Rogue Outcast 1 Hybrid is equipped with an USHIO NSL 400-W lamp. Follow the procedure below to safely change the lamp,



**Disconnect the product from power before opening.**

### Procedure

1. Turn the product off and disconnect it from power. Wait at least 15 minutes for the lamp to cool down.
2. Remove both head covers by removing 8 Phillips-head ¼-turn screws.
3. Orient the bottom of the moving head so that the fan is facing downward.
4. Remove the 2 wires connected to the lamp by the spade terminals. Using the lamp base, push the lamp to the left against the spring clips located on the left.
5. Roll the lamp out the top and pull it away.
6. Reverse the steps above to install the new lamp. Do not touch the glass with bare hands.



**Do not turn product on without a lamp!**

### Increasing the Lamp's Life

- ALWAYS turn the lamp off by using the DMX controller or the product's control panel, then wait at least 5 minutes before switching off the product. This will keep the fans running to extract any remaining heat from the product's head.
- DO NOT power cycle the product unless it is necessary.
- DO NOT re-strike the lamp immediately after turning it off. Chauvet recommends waiting 5 minutes before trying to re-strike the lamp.
- DO NOT touch the lamp without wearing gloves to avoid leaving grease on the bulb or on the contacts that could reduce the lamp's life.
- ALWAYS change the lamp when it has reached its recommended lifespan to avoid the risk of lamp explosion.



## 4. Operation

### Control Panel Operation

Button	Function
<MENU>	Exits from the current menu or function
<ENTER>	Enables the currently displayed menu or sets the currently selected value in to the current function
<UP>	Navigates upward through the menu list or increases the numeric value when in a function
<DOWN>	Navigates downward through the menu list or decreases the numeric value when in a function

### Programming

Refer to the Menu Map to understand the menu options. The menu map shows the main level and a variable number of programming levels for each option.

- To go to the desired main level, press <MENU> repeatedly until the option shows on the display. Press <ENTER> to select. This will take you to the first programming level for that option.
- To select an option or value within the current programming level, press <UP> or <DOWN> until the option shows on the display. Press <ENTER> to select. In this case, if there is another programming level, you will see that first option, or you will see the selected value.
- Press <MENU> repeatedly to exit to the previous main level.

### Control Panel Lock

This setting enables you to activate or disable the control panel lock, which keeps unauthorized users from changing the product's settings.

1. Go to the **Key Lock** main level.
2. Select **ON** or **OFF**.



The product will prompt for a passcode to access the product's main programming level when the control panel lock is activated. Enter the following passcode: <UP>, <DOWN>, <UP>, <DOWN>, <ENTER>

### Configuration (DMX)

Use control configurations to operate the product with a DMX controller. For information on how to configure wireless DMX, see [DMX Linking](#).

#### Control Personalities

This setting allows you to choose a particular control personality.

1. Go to the **Running Mode** main level, then the **DMX** sublevel.
2. Select the desired personality (**20CH** or **25CH**).



- See the [Starting Address](#) section for the highest starting address you can select for each personality.
- Make sure that the starting addresses on the various products do not overlap due to the new personality setting.

#### Starting Address

Each product will respond to a unique starting address from the DMX controller. All products with the same starting address will respond in unison.

1. Starting from the Main Level screen, select **Address**, press <ENTER>.
2. Select the starting address (**001–512**), press <ENTER>.

The highest recommended starting address for each DMX mode is as follows:

Personality	Address
20CH	493
25CH	487



### Menu Map

Refer to the Rogue Outcast 1 Hybrid product page on [www.chauvetprofessional.com](http://www.chauvetprofessional.com) for the latest menu map.

Main Level	Programming Levels		Description	
<b>Address</b>	<b>001–512</b>		Sets the DMX starting address	
<b>Running Mode</b>	<b>DMX</b>	<b>20CH</b>	Selects the DMX mode	
		<b>25CH</b>		
	<b>Auto Test</b>		Runs the product’s test sequence	
	<b>Manual Test</b>	<b>Pan</b>	<b>000–255</b>	Allows manual control of all settings from the control panel
		<b>Pan Fine</b>		
		<b>Tilt</b>		
		<b>Tilt Fine</b>		
		<b>P/T Speed</b>		
		<b>Dimmer</b>		
		<b>Dimmer Fine</b>		
		<b>Shutter</b>		
		<b>Color</b>		
		<b>Gobo 2</b>		
		<b>Gobo</b>		
		<b>Gobo Rotate</b>		
		<b>Focus</b>		
		<b>Focus Fine</b>		
		<b>Prism1</b>		
		<b>Prism1 Rotate</b>		
		<b>Prism2</b>		
<b>Prism2 Rotate</b>				
<b>Frost1</b>				
<b>Frost2</b>				
<b>P/T Macro</b>				
<b>P/T Ma. Speed</b>				
<b>Special Function</b>				

Main Level	Programming Levels		Description	
Setup	Pan Reverse	NO	Normal pan operation	
		YES	Reverse pan operation	
	Tilt Reverse	NO	Normal tilt operation	
		YES	Reverse tilt operation	
	Screen Reverse	NO	Normal control screen display	
		YES	Inverted screen display	
		AUT	Automatic screen display	
	Pan Angle	540	Selects the 540° pan angle range	
		360	Selects the 360° pan angle range	
		180	Selects the 180° pan angle range	
	Tilt Angle	270	Selects the 270° tilt angle range	
		180	Selects the 180° tilt angle range	
		90	Selects the 90° tilt angle range	
	BL.O.P/T Move	NO	Enables/disables blackout on pan/tilt move	
		YES		
	BL.O.Color Move	NO	Enables/disables blackout on color wheel move	
		YES		
	BL.O.Gobo Move	NO	Enables/disables blackout on gobo wheel move	
		YES		
	Lamp Settings	On/Off	NO	Turns lamp on/off
			YES	
		State/Power On	NO	Defines the status of the lamp when powering up product
			YES	
		Off Via DMX	NO	Turns off the unit via DMX controller
			YES	
		On if DMX On	NO	Turns lamp on when DMX signal is detected
			YES	
Off if DMX Off	NO	Turns lamp off when DMX signal is lost		
	YES			
Ignition Delay	0–255	Selects duration of delay between product power on and lamp power on		
Low Power Delay	0–255	Sets duration of delay when shutter is closed and lamp enters low power mode		
Reset Lamp Time	NO	Leaves lamp time unchanged		
	YES	Resets lamp timer to 0		
Maintenance Timer	Interval	10–250	Defines amount of hours between maintenance	
	Remain Time	10–250	Shows remaining time in maintenance cycle	

Main Level	Programming Levels		Description
Setup	Reset Function	Pan/Tilt	Resets pan/tilt functions to the home position
		Shutter/Prism	Resets all shutter and prism functions to the home position
		Color	Resets all color functions to the home position
		Gobo	Resets all gobo functions to the home position
		Frost/Focus	Resets the focus and frost functions to the home position
		All	Resets all functions to the home position
	Factory Setting	NO YES	Resets the product back to the original factory settings
Sys Info	Display Ver	V_	Shows display version
	PanTilt Ver	---	Shows pan/tilt version
	Prism Ver	---	Shows prism version
	Gobo Ver	---	Shows gobo version
	Other Ver	-----	Shows other version
	Running Mode	-----	Shows current running mode
	DMX Address	---	Shows current DMX address
	Lamp On Time	---	Shows lamp on time
	Remain Time	---	Shows lamp maintenance time
	Temperature1	---	Shows the product's temperature in °C
	Temperature2	---	
	Voltage	---	Shows lamp voltage
	Current	---	Shows lamp current
	Power	---	Shows lamp power
	Fan Speed	---	Shows fan speed
	Fan 1-5	---	Shows speed of fans 1-5
UID	-----	Shows UID information	

## DMX Values

### 25CH

Channel	Function	Value	Percent/Setting
1	Pan	000 ⇔ 255	0–100%
2	Fine pan	000 ⇔ 255	Fine control (16-bit)
3	Tilt	000 ⇔ 255	0–100%
4	Fine tilt	000 ⇔ 255	Fine control (16-bit)
5	Pan/tilt speed	000 ⇔ 255	0–100%
6	Dimmer	000 ⇔ 255	0–100%
7	Fine dimmer	000 ⇔ 255	Fine control (16-bit)
8	Strobe	000 ⇔ 007	No function
		008 ⇔ 015	On
		016 ⇔ 131	Synchronized strobe, slow to fast
		132 ⇔ 167	Fast off, slow on (slow to fast)
		168 ⇔ 203	Slow off, fast on (slow to fast)
		204 ⇔ 239	Pulse strobe, slow to fast
		240 ⇔ 247	Random strobe, slow to fast
		248 ⇔ 255	On
9	Color wheel	000 ⇔ 003	Open
		004 ⇔ 007	Red
		008 ⇔ 011	Orange
		012 ⇔ 015	Cyan
		016 ⇔ 019	Light green
		020 ⇔ 023	Light yellow
		024 ⇔ 027	Green
		028 ⇔ 031	Magenta
		032 ⇔ 035	Dark blue
		036 ⇔ 039	Dark yellow
		040 ⇔ 043	Blue
		044 ⇔ 047	CTO 5600K
		048 ⇔ 051	CTO 6500K
		052 ⇔ 059	UV
		060 ⇔ 187	Split colors
		188 ⇔ 219	Clockwise color scroll, fast to slow
220 ⇔ 223	Stop		
224 ⇔ 255	Counterclockwise color scroll, slow to fast		

Channel	Function	Value	Percent/Setting
10	Gobo wheel 1	000 ⇔ 003	Open
		004 ⇔ 006	Gobo 1
		007 ⇔ 009	Gobo 2
		010 ⇔ 012	Gobo 3
		013 ⇔ 015	Gobo 4
		016 ⇔ 018	Gobo 5
		019 ⇔ 021	Gobo 6
		022 ⇔ 024	Gobo 7
		025 ⇔ 027	Gobo 8
		028 ⇔ 030	Gobo 9
		031 ⇔ 033	Gobo 10
		034 ⇔ 036	Gobo 11
		037 ⇔ 039	Gobo 12
		040 ⇔ 042	Gobo 13
		043 ⇔ 059	Open
		060 ⇔ 063	Gobo 1 shake, from slow to fast
		064 ⇔ 067	Gobo 2 shake, from slow to fast
		068 ⇔ 071	Gobo 3 shake, from slow to fast
		072 ⇔ 075	Gobo 4 shake, from slow to fast
		076 ⇔ 079	Gobo 5 shake, from slow to fast
		080 ⇔ 083	Gobo 6 shake, from slow to fast
		084 ⇔ 087	Gobo 7 shake, from slow to fast
		088 ⇔ 091	Gobo 8 shake, from slow to fast
		092 ⇔ 095	Gobo 9 shake, from slow to fast
		096 ⇔ 099	Gobo 10 shake, from slow to fast
		100 ⇔ 103	Gobo 11 shake, from slow to fast
		104 ⇔ 107	Gobo 12 shake, from slow to fast
		108 ⇔ 111	Gobo 13 shake, from slow to fast
		112 ⇔ 127	Open
		128 ⇔ 189	Clockwise gobo scroll, fast to slow
		190 ⇔ 193	Stop
		194 ⇔ 255	Counterclockwise gobo scroll, slow to fast

Channel	Function	Value	Percent/Setting
11	Gobo wheel 2	000 ⇔ 005	Open (aperture sets to Spot mode)
		006 ⇔ 011	Gobo 1
		012 ⇔ 017	Gobo 2
		018 ⇔ 023	Gobo 3
		024 ⇔ 029	Gobo 4
		030 ⇔ 035	Gobo 5
		036 ⇔ 041	Gobo 6
		042 ⇔ 047	Gobo 7
		048 ⇔ 053	Gobo 8
		054 ⇔ 063	Gobo 9
		064 ⇔ 073	Gobo 1 shaking, slow to fast
		074 ⇔ 079	Gobo 2 shaking, slow to fast
		080 ⇔ 085	Gobo 3 shaking, slow to fast
		086 ⇔ 091	Gobo 4 shaking, slow to fast
		092 ⇔ 097	Gobo 5 shaking, slow to fast
		098 ⇔ 103	Gobo 6 shaking, slow to fast
		104 ⇔ 109	Gobo 7 shaking, slow to fast
110 ⇔ 115	Gobo 8 shaking, slow to fast		
116 ⇔ 121	Gobo 9 shaking, slow to fast		
122 ⇔ 127	Open		
128 ⇔ 191	Clockwise gobo scroll, fast to slow		
192 ⇔ 255	Counterclockwise gobo scroll, slow to fast		
12	Gobo wheel 2 rotate	000 ⇔ 063	Gobo index
		064 ⇔ 147	Clockwise rotation, slow to fast
		148 ⇔ 231	Counterclockwise rotation, fast to slow
		232 ⇔ 255	Alternating clockwise/counterclockwise rotation, slow to fast
13	Focus	000 ⇔ 255	0–100%
14	Focus fine	000 ⇔ 255	Fine control (16-bit)
15	Zoom	000 ⇔ 255	0–100%
16	Zoom fine	000 ⇔ 255	Fine control (16-bit)
17	Prism 1	000 ⇔ 004	No function
		005 ⇔ 255	5-facet prism effect
18	Prism 1 rotate	000 ⇔ 127	Prism indexing
		128 ⇔ 189	Clockwise rotation, fast to slow
		190 ⇔ 193	Stop
		194 ⇔ 255	Counter-clockwise rotation, slow to fast
19	Prism 2	000 ⇔ 004	No function
		005 ⇔ 255	8-facet prism effect
20	Prism 2 rotate	000 ⇔ 127	Prism indexing
		128 ⇔ 189	Clockwise rotation, fast to slow
		190 ⇔ 193	Stop
		194 ⇔ 255	Counter-clockwise rotation, slow to fast
21	Frost	000 ⇔ 255	0–100%
22	Beam defraction	000 ⇔ 007	No function
		008 ⇔ 255	Frost effect

Channel	Function	Value	Percent/Setting
23	Movement macros	000 ⇔ 007	No function
		008 ⇔ 015	Effect 1
		016 ⇔ 023	Effect 2
		024 ⇔ 031	Effect 3
		032 ⇔ 039	Effect 4
		040 ⇔ 047	Effect 5
		048 ⇔ 055	Effect 6
		056 ⇔ 063	Effect 7
		064 ⇔ 071	Effect 8
		072 ⇔ 079	Effect 9
		080 ⇔ 087	Effect 10
		088 ⇔ 095	Effect 11
		096 ⇔ 103	Effect 12
		104 ⇔ 111	Effect 13
		112 ⇔ 119	Effect 14
		120 ⇔ 127	Effect 15
		128 ⇔ 135	Effect 16
		136 ⇔ 143	Effect 17
		144 ⇔ 151	Effect 18
		152 ⇔ 159	Effect 19
		160 ⇔ 167	Effect 20
		168 ⇔ 175	Effect 21
		176 ⇔ 183	Effect 22
		184 ⇔ 191	Effect 23
		192 ⇔ 199	Effect 24
		200 ⇔ 207	Effect 25
		208 ⇔ 215	Effect 26
		216 ⇔ 223	Effect 27
		224 ⇔ 231	Effect 28
		232 ⇔ 239	Effect 29
		240 ⇔ 247	Effect 30
248 ⇔ 255	Effect 31		
24	Movement macro speed	000 ⇔ 255	Fast to slow

Channel	Function	Value	Percent/Setting
25	Control	000 ⇔ 009	No function
		010 ⇔ 019	Defogging fan, slow to fast
		020 ⇔ 029	Defogging fan off
		030 ⇔ 039	Dimmer conventional mode
		040 ⇔ 049	Dimmer linear mode
		050 ⇔ 059	Pan/tilt fast mode
		060 ⇔ 069	Pan/tilt normal mode
		070 ⇔ 079	Blackout during pan/tilt (3 sec hold)
		080 ⇔ 089	Disable pan/tilt blackout (3 sec hold)
		090 ⇔ 099	Blackout while color wheel is moving (3 sec hold)
		100 ⇔ 109	Disable color wheel blackout (3 sec hold)
		110 ⇔ 119	Blackout while gobo wheels are moving (3 sec hold)
		120 ⇔ 129	Disable gobo wheel blackout (3 sec hold)
		130 ⇔ 139	Lamp on
		140 ⇔ 149	Pan/tilt reset
		150 ⇔ 159	Color wheel reset
		160 ⇔ 169	Gobo wheel reset
		170 ⇔ 179	Strobe/prism reset
		180 ⇔ 189	No function
		190 ⇔ 199	Frost/focus/zoom reset
		200 ⇔ 209	All reset
		210 ⇔ 219	Blackout all function during pan/tilt
		220 ⇔ 229	Disable blackout all function during pan/tilt
		230 ⇔ 239	Lamp off
		240 ⇔ 249	Pan/tilt smooth mode on
		250 ⇔ 255	Pan/tilt smooth mode off



**20CH**

Channel	Function	Value	Percent/Setting
1	Pan	000 ⇔ 255	0–100%
2	Fine pan	000 ⇔ 255	Fine control (16-bit)
3	Tilt	000 ⇔ 255	0–100%
4	Fine tilt	000 ⇔ 255	Fine control (16-bit)
5	Pan/tilt speed	000 ⇔ 255	0–100%
6	Dimmer	000 ⇔ 255	0–100%
7	Strobe	000 ⇔ 007	No function
		008 ⇔ 015	On
		016 ⇔ 131	Synchronized strobe, slow to fast
		132 ⇔ 167	Fast off, slow on (slow to fast)
		168 ⇔ 203	Slow off, fast on (slow to fast)
		204 ⇔ 239	Pulse strobe, slow to fast
		240 ⇔ 247	Random strobe, slow to fast
248 ⇔ 255	On		
8	Color wheel	000 ⇔ 003	Open
		004 ⇔ 007	Red
		008 ⇔ 011	Orange
		012 ⇔ 015	Cyan
		016 ⇔ 019	Light green
		020 ⇔ 023	Light yellow
		024 ⇔ 027	Green
		028 ⇔ 031	Magenta
		032 ⇔ 035	Dark blue
		036 ⇔ 039	Dark yellow
		040 ⇔ 043	Blue
		044 ⇔ 047	CTO 5600K
		048 ⇔ 051	CTO 6500K
		052 ⇔ 059	UV
		060 ⇔ 187	Split colors
188 ⇔ 219	Clockwise color scroll, fast to slow		
220 ⇔ 223	Stop		
224 ⇔ 255	Counterclockwise color scroll, slow to fast		

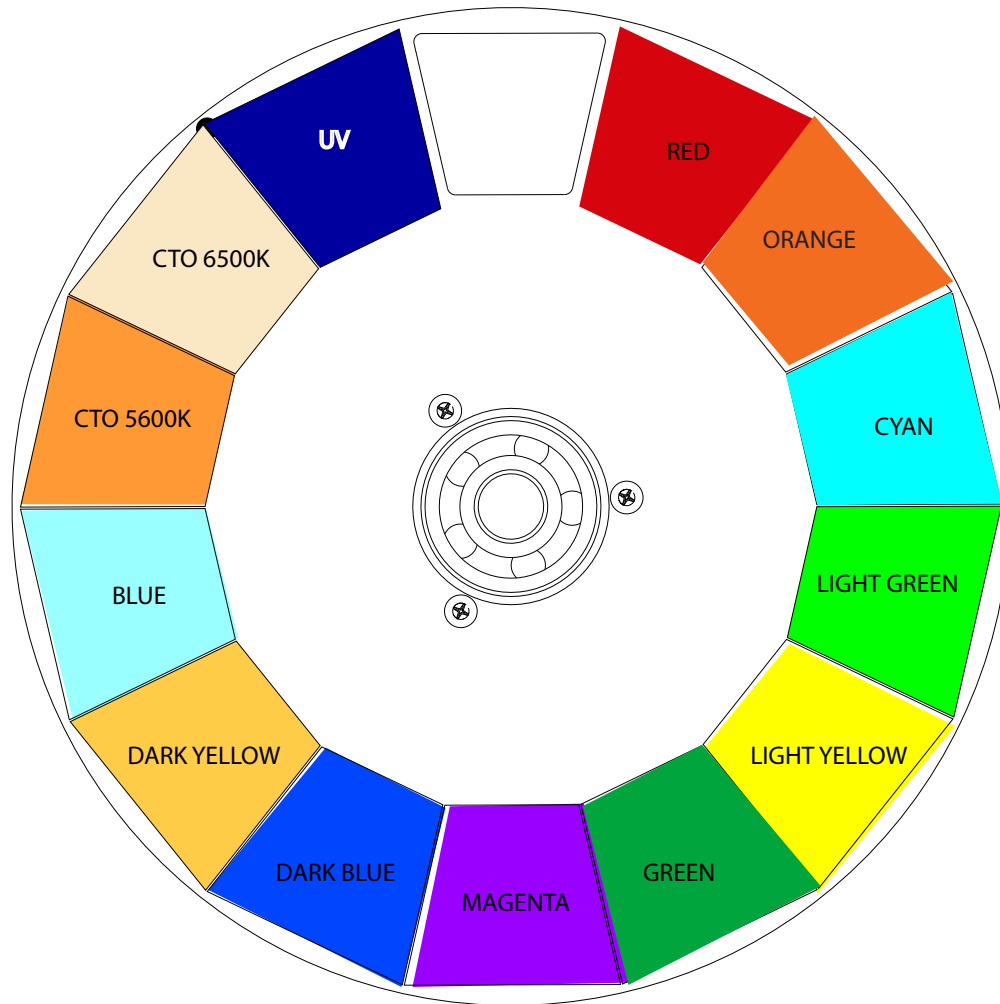
Channel	Function	Value	Percent/Setting
9	Gobo wheel 1	000 ⇔ 003	Open
		004 ⇔ 006	Gobo 1
		007 ⇔ 009	Gobo 2
		010 ⇔ 012	Gobo 3
		013 ⇔ 015	Gobo 4
		016 ⇔ 018	Gobo 5
		019 ⇔ 021	Gobo 6
		022 ⇔ 024	Gobo 7
		025 ⇔ 027	Gobo 8
		028 ⇔ 030	Gobo 9
		031 ⇔ 033	Gobo 10
		034 ⇔ 036	Gobo 11
		037 ⇔ 039	Gobo 12
		040 ⇔ 042	Gobo 13
		043 ⇔ 059	Open
		060 ⇔ 063	Gobo 1 shake, from slow to fast
		064 ⇔ 067	Gobo 2 shake, from slow to fast
		068 ⇔ 071	Gobo 3 shake, from slow to fast
		072 ⇔ 075	Gobo 4 shake, from slow to fast
		076 ⇔ 079	Gobo 5 shake, from slow to fast
		080 ⇔ 083	Gobo 6 shake, from slow to fast
		084 ⇔ 087	Gobo 7 shake, from slow to fast
		088 ⇔ 091	Gobo 8 shake, from slow to fast
		092 ⇔ 095	Gobo 9 shake, from slow to fast
		096 ⇔ 099	Gobo 10 shake, from slow to fast
		100 ⇔ 103	Gobo 11 shake, from slow to fast
		104 ⇔ 107	Gobo 12 shake, from slow to fast
		108 ⇔ 111	Gobo 13 shake, from slow to fast
		112 ⇔ 127	Open
		128 ⇔ 189	Clockwise gobo scroll, fast to slow
190 ⇔ 193	Stop		
194 ⇔ 255	Counterclockwise gobo scroll, slow to fast		

Channel	Function	Value	Percent/Setting
10	Gobo wheel 2	000 ⇔ 005	Open (aperture sets to Spot mode)
		006 ⇔ 011	Gobo 1
		012 ⇔ 017	Gobo 2
		018 ⇔ 023	Gobo 3
		024 ⇔ 029	Gobo 4
		030 ⇔ 035	Gobo 5
		036 ⇔ 041	Gobo 6
		042 ⇔ 047	Gobo 7
		048 ⇔ 053	Gobo 8
		054 ⇔ 063	Gobo 9
		064 ⇔ 073	Gobo 1 shaking, slow to fast
		074 ⇔ 079	Gobo 2 shaking, slow to fast
		080 ⇔ 085	Gobo 3 shaking, slow to fast
		086 ⇔ 091	Gobo 4 shaking, slow to fast
		092 ⇔ 097	Gobo 5 shaking, slow to fast
		098 ⇔ 103	Gobo 6 shaking, slow to fast
		104 ⇔ 109	Gobo 7 shaking, slow to fast
110 ⇔ 115	Gobo 8 shaking, slow to fast		
116 ⇔ 121	Gobo 9 shaking, slow to fast		
122 ⇔ 127	Open		
128 ⇔ 191	Clockwise gobo scroll, fast to slow		
192 ⇔ 255	Counterclockwise gobo scroll, slow to fast		
11	Gobo wheel 2 rotate	000 ⇔ 063	Gobo index
		064 ⇔ 147	Clockwise rotation, slow to fast
		148 ⇔ 231	Counterclockwise rotation, fast to slow
		232 ⇔ 255	Alternating clockwise/counterclockwise rotation, slow to fast
12	Focus	000 ⇔ 255	0–100%
13	Zoom	000 ⇔ 255	0–100%
14	Prism 1	000 ⇔ 004	No function
		005 ⇔ 255	5-facet prism effect
15	Prism 1 rotate	000 ⇔ 127	Prism indexing
		128 ⇔ 189	Clockwise rotation, fast to slow
		190 ⇔ 193	Stop
		194 ⇔ 255	Counter-clockwise rotation, slow to fast
16	Prism 2	000 ⇔ 004	No function
		005 ⇔ 255	8-facet prism effect
17	Prism 2 rotate	000 ⇔ 127	Prism indexing
		128 ⇔ 189	Clockwise rotation, fast to slow
		190 ⇔ 193	Stop
		194 ⇔ 255	Counter-clockwise rotation, slow to fast
18	Frost	000 ⇔ 255	0–100%
19	Beam defraction	000 ⇔ 007	No function
		008 ⇔ 255	Frost effect

Channel	Function	Value	Percent/Setting
20	Control	000 ⇔ 009	No function
		010 ⇔ 019	Defogging fan, slow to fast
		020 ⇔ 029	Defogging fan off
		030 ⇔ 039	Dimmer conventional mode
		040 ⇔ 049	Dimmer linear mode
		050 ⇔ 059	Pan/tilt fast mode
		060 ⇔ 069	Pan/tilt normal mode
		070 ⇔ 079	Blackout during pan/tilt (3 sec hold)
		080 ⇔ 089	Disable pan/tilt blackout (3 sec hold)
		090 ⇔ 099	Blackout while color wheel is moving (3 sec hold)
		100 ⇔ 109	Disable color wheel blackout (3 sec hold)
		110 ⇔ 119	Blackout while gobo wheels are moving (3 sec hold)
		120 ⇔ 129	Disable gobo wheel blackout (3 sec hold)
		130 ⇔ 139	Lamp on
		140 ⇔ 149	Pan/tilt reset
		150 ⇔ 159	Color wheel reset
		160 ⇔ 169	Gobo wheel reset
		170 ⇔ 179	Strobe/prism reset
		180 ⇔ 189	No function
		190 ⇔ 199	Frost/focus/zoom reset
		200 ⇔ 209	All reset
		210 ⇔ 219	Blackout all function during pan/tilt
		220 ⇔ 229	Disable blackout all function during pan/tilt
		230 ⇔ 239	Lamp off
		240 ⇔ 249	Pan/tilt smooth mode on
		250 ⇔ 255	Pan/tilt smooth mode off

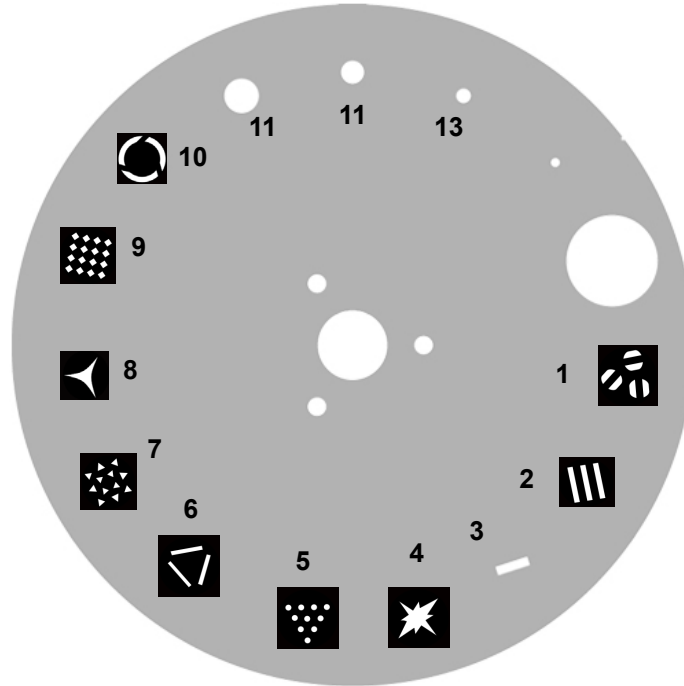
### Color Wheel

The Rogue Outcast 1 Hybrid includes one color wheel with 13 fixed colors plus open (white), as indicated below. The diagram shows the color on the wheel, as mentioned in the [DMX Values](#) tables.

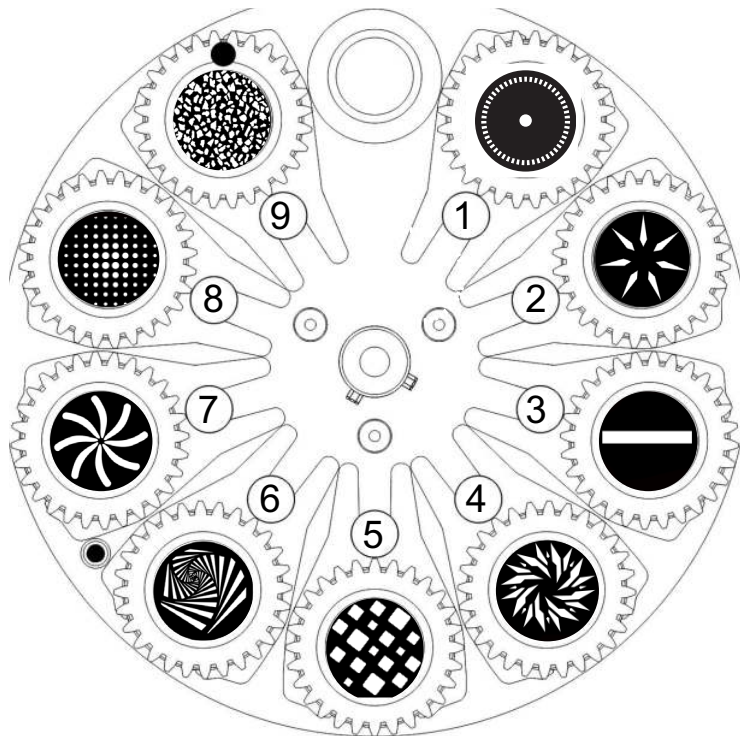


## Gobo Wheel

The Rogue Outcast 1 Hybrid includes one static gobo wheel with 13 fixed gobos plus open, and one rotating gobo wheel with 9 gobos. The diagram shows the gobo number on the wheel as numbered in the [DMX Values](#) tables.



**Gobo Wheel 1**



**Gobo Wheel 2**

### Configuration (Standalone)

Use the standalone configuration to operate the product without a DMX controller.

#### Run Mode

This programming level sets the DMX personality and controls the different test modes.

- Starting from the Main Level screen, select **Run Mode**, press **<ENTER>**.

#### Auto Test

This option runs every attribute individually through one cycle.

- Highlight **Auto Test**, press **<ENTER>**.



**The Auto Test will end after one full cycle. You can stop the test by pressing <MENU> at any time.**

#### Manual Test

This option allows each attribute to run individually or as a group.

1. Highlight **Manual Test**, press **<ENTER>**.
2. Highlight the desired attribute listed on the control panel screen, press **<ENTER>**.
3. Set the attribute value (**000–255**), press **<ENTER>**.
4. Repeat step 2 for the other attributes.



**When exiting the Manual Test level, the values of all tested channels will revert to zero.**

#### Setup

This programming level controls the product's head movement, display, dimming, lamp settings, and maintenance adjustments.

- Starting from the Main Level screen, select **Setup**, press **<ENTER>**.

#### Pan Reverse

Reverses the operation of the pan attribute.

1. Highlight **Pan Reverse**, press **<ENTER>**.
2. Select **YES** or **NO**, press **<ENTER>**.

#### Tilt Reverse

Reverses the operation of the tilt attribute.

1. Highlight **Tilt Reverse**, press **<ENTER>**.
2. Select **YES** or **NO**, press **<ENTER>**.

#### Pan Angle

This option assigns pan range.

1. Highlight **Pan Angle**, press **<ENTER>**.
2. Select **540**, **360**, or **180**, press **<ENTER>**.

#### Tilt Angle

This option assigns tilt range.

1. Highlight **Tilt Angle**, press **<ENTER>**.
2. Select **90**, **180**, or **260**, press **<ENTER>**.

#### BL.O. P/T Move

Enables/disables blackout on pan/tilt move.

1. Highlight **BL.O.P/T Move**, press **<ENTER>**.
2. Select **YES** or **NO**, press **<ENTER>**.

#### BL.O. Color Move

Enables/disables blackout on color wheel move.

1. Highlight **BL.O.Color Move**, press **<ENTER>**.
2. Select **YES** or **NO**, press **<ENTER>**.

#### BL.O. Gobo Move

Enables/disables blackout on gobo wheel move.

1. Highlight **BL.O.Gobo Move**, press **<ENTER>**.
2. Select **YES** or **NO**, press **<ENTER>**.

## Lamp Controls

This programming level allows the user to change a range of options that control the action of the lamp.

- Starting from the **Setup** screen level, select **Lamp Settings**, press **<ENTER>**.

## Lamp settings

This option turns the lamp on and off.

1. Highlight **On/Off**, press **<ENTER>**.
2. Select **YES** or **NO**, press **<ENTER>**.



- **Do not turn product on without a lamp!**
- **ALWAYS turn the lamp off by using the DMX controller or the product's control panel, then wait at least 5 minutes before switching off the product. This will keep the fans running to extract any remaining heat from the product's head.**
- **DO NOT power cycle the product unless it is necessary.**
- **DO NOT re-strike the lamp immediately after turning it off. Chauvet recommends waiting 5 minutes before trying to re-strike the lamp.**

## Lamp state

This option determines whether the lamp turns on automatically when the product is powered up.

1. Highlight **State/Power on**, press **<ENTER>**.
2. Select **YES** or **NO**, press **<ENTER>**.

## Remote turn off

This option allows a connected DMX controller to turn the lamp on/off via the control channel.

1. Highlight **Off via DMX**, press **<ENTER>**.
2. Select **YES** or **NO**, press **<ENTER>**.

## Lamp on if DMX present

This option determines whether the lamp turns on automatically when a DMX signal is detected.

1. Highlight **On if DMX On**, press **<ENTER>**.
2. Select **YES** or **NO**, press **<ENTER>**.

## Lamp off if DMX absent

This option determines whether the lamp turns off automatically when a DMX signal is lost.

1. Highlight **Off if Dmx Off**, press **<ENTER>**.
2. Select **YES** or **NO**, press **<ENTER>**.

## Lamp strike delay

This option sets the duration of time (seconds) it takes for the lamp to turn on when powering up the product.

1. Highlight **Ignition Delay**, press **<ENTER>**.
2. Select **0–255**, press **<ENTER>**.

## Lamp low power state

This attribute puts the lamp into a low power state when the shutters are closed, helping to increase the life of the shutters. This option allows the user to adjust how long from the instant the shutters are closed to the time the lamp enters the low power state.

1. Highlight **Low Power Delay**, press **<ENTER>**.
2. Select **0–255**, press **<ENTER>**.

## Lamp timer

This procedure resets the lamp maintenance timer to **0**. It is recommended that this be done after every lamp change.

1. Highlight **Reset Lamp Time**, press **<ENTER>**.
2. Select **YES** or **NO**, press **<ENTER>**.

## Maintenance Timer

This programming level allows the user to change a range of options that control the action of the maintenance timer.

- Starting from the **Setup** screen level, select **Maintenance Timer**, press **<ENTER>**.

## Maintenance timer interval

This option defines the amount of time (hours) that the maintenance timer will count down to.

1. Highlight **Interval Time**, press **<ENTER>**.
2. Select **010–250**, press **<ENTER>**.



## OPERATION

---

### Maintenance timer reset

This procedure resets the lamp maintenance timer to **0**. It is recommended that this be done after every lamp change.

1. Highlight **Remain Time**, press **<ENTER>**.
2. Select **010–250**, press **<ENTER>**.

### Reset Function

This programming level allows the user to reset individual functions to the home position.

- Starting from the **Setup** screen level, select **Reset Function**, press **<ENTER>**.

### Pan/Tilt Reset

This option resets the pan/tilt functions to the home position.

1. Highlight **Pan/Tilt**, press **<ENTER>**.
2. Select **YES** or **NO**, press **<ENTER>**.

### Shutter/Prism Reset

This option resets the shutter/prism functions to the home position.

1. Highlight **Shutter/Prism**, press **<ENTER>**.
2. Select **YES** or **NO**, press **<ENTER>**.

### Color Reset

This option resets the color functions to the home position.

1. Highlight **Color**, press **<ENTER>**.
2. Select **YES** or **NO**, press **<ENTER>**.

### Gobo Reset

This option resets the gobo functions to the home position.

1. Highlight **Gobo**, press **<ENTER>**.
2. Select **YES** or **NO**, press **<ENTER>**.

### Zoom/Frost/Focus Reset

This option resets the frost/focus functions to the home position.

1. Highlight **Zoom/Frost/Focus**, press **<ENTER>**.
2. Select **YES** or **NO**, press **<ENTER>**.

### All Reset

This option resets all the functions to the home position.

1. Highlight **All**, press **<ENTER>**.
2. Select **YES** or **NO**, press **<ENTER>**.

### Factory Reset Function

This resets the product back to its original factory settings.

1. Starting from the **Setup** screen level, select **Factory Settings**, press **<ENTER>**.
2. Select **YES** or **NO**, press **<ENTER>**.

### System Information

This programming level shows standard information regarding the product's operating status. Starting from the Main Level screen, select **Sys Info**, press **<ENTER>**.

- **Display Ver:** The current software version is displayed on the screen.
- **PanTilt Ver:** The current pan/tilt version is displayed on the screen.
- **Prism Ver:** The current prism version is displayed on the screen.
- **Gobo Ver:** The current gobo version is displayed on the screen.
- **Running Mode:** The current running mode is displayed on the screen.
- **DMX Address:** The current DMX address is displayed on the screen.
- **Lamp On Time:** The current lamp on time is displayed on the screen.
- **Remain Time:** The current lamp maintenance time is displayed on the screen.
- **Temperature:** The current product temperature is displayed on the screen.
- **Voltage:** The lamp's voltage is displayed on the screen.
- **Current:** The lamp's current is displayed on the screen.
- **Power:** The lamp's power is displayed on the screen.
- **Fan Speed:** The product's fan speed is displayed on the screen.
- **Fixture Time:** The product's total running time.

## Offset Mode

The Offset mode provides fine adjustments for the home position of all the moving parts in the optical path as well as the pan and tilt movements. This way, when in their home position, the moving parts do not show any border or reduce the light output.

1. Starting from the Main Level screen, press and hold **<MENU>** until the passcode screen appears.
2. Using **<UP>** to increase the number value and **<DOWN>** to move to the next column, enter **2323**, press **<ENTER>**. This brings you into the Zero Adjust menu screen.

## Pan

1. Highlight **PAN**, press **<ENTER>**.
2. Select **000–255**, press **<ENTER>**.

## Tilt

1. Highlight **TILT**, press **<ENTER>**.
2. Select **000–255**, press **<ENTER>**.

## Dimmer

1. Highlight **DIMMER**, press **<ENTER>**.
2. Select **000–255**, press **<ENTER>**.

## Color

1. Highlight **COLOR**, press **<ENTER>**.
2. Select **000–255**, press **<ENTER>**.

## Gobo

1. Highlight **GOBO**, press **<ENTER>**.
2. Select **000–255**, press **<ENTER>**.

## Prism 1

1. Highlight **PRISM1**, press **<ENTER>**.
2. Select **000–255**, press **<ENTER>**.

## Rotating Prism 1

1. Highlight **PRISM1 ROTATE**, press **<ENTER>**.
2. Select **000–255**, press **<ENTER>**.

## Prism 2

1. Highlight **PRISM2**, press **<ENTER>**.
2. Select **000–255**, press **<ENTER>**.

## Rotating Prism 2

1. Highlight **PRISM2 ROTATE**, press **<ENTER>**.
2. Select **000–255**, press **<ENTER>**.

## Focus

1. Highlight **FOCUS**, press **<ENTER>**.
2. Select **000–255**, press **<ENTER>**.

## Frost

1. Highlight **FROST**, press **<ENTER>**.
2. Select **000–255**, press **<ENTER>**.

## Mac 4

1. Highlight **MAC4**, press **<ENTER>**.
2. Select **000–255**, press **<ENTER>**.

## Mac 5

1. Highlight **MAC5**, press **<ENTER>**.
2. Select **000–255**, press **<ENTER>**.

## Mac 6

1. Highlight **MAC6**, press **<ENTER>**.
2. Select **000–255**, press **<ENTER>**.

## 5. Technical Information

### Product Maintenance

To maintain optimum performance and minimize wear, clean this product frequently. Usage and environment are contributing factors in determining the cleaning frequency.

Clean this product at least twice a month. Dust build-up reduces light output performance and can cause overheating. This can lead to reduced light source life and increased mechanical wear.

To clean the product:

1. Unplug the product from power.
2. Wait until the product is at room temperature.
3. Use a vacuum (or dry compressed air) and a soft brush to remove dust collected on the external vents.
4. Clean all transparent surfaces with a mild soap solution, ammonia-free glass cleaner, or isopropyl alcohol.
5. Apply the solution directly to a soft, lint free cotton cloth or a lens cleaning tissue.
6. Softly drag any dirt or grime to the outside of the transparent surface.
7. Gently polish the transparent surfaces until they are free of haze and lint.



**Always dry the transparent surfaces carefully after cleaning them.**



**Do not spin the cooling fans while blowing compressed air into them.**

## 6. Technical Specifications

### Dimensions and Weight

Length	Width	Height	Weight
14.66 in (372 mm)	11 in (280 mm)	27.22 in (691 mm)	83.8 lb (38 kg)

**Note:** Dimensions in inches rounded to the nearest hundredth.

### Power

Power Supply Type	Range	Voltage Selection
Switching (internal)	100 to 240 VAC, 50/60 Hz	Auto-ranging
Parameter	120 V, 60 Hz	230 V, 50 Hz
Consumption	384 W	382 W
Operating Current	3.18 A	1.61 A
Fuse	F 7 A, 250 V	F 7 A, 250 V
Power I/O	U.S./Canada	Worldwide
Power input connector	Neutrik® powerCON® power cord	Neutrik® powerCON® power cord
Power output connector	Neutrik® powerCON® power cord	Neutrik® powerCON® power cord
Power cord plug	Edison (U.S.)	Local plug

### Light Source

Type	Power	Lifespan
USHIO NSL	400 W	6,000 hours

### Photometrics

Parameter	Values	Parameter	Values
Beam angle (Spot mode)	2.2° to 12.4°	Illuminance @ 5 m (4.3°)	209,369 lux
Beam angle (Beam mode)	1° to 5.2°	Illuminance @ 15 m (1.8°)	123,124 lux
Beam angle (Wash mode)	4.9° to 18°	Illuminance @ 5 m (9.3°)	17,118 lux
Field angle (Spot mode)	4.3° to 24.3°	Illuminance @ 5 m (24.3°)	5,742 lux
Field angle (Beam mode)	1.8° to 12.6°	Illuminance @ 15 m (12.6°)	3,517 lux
Field angle (Wash mode)	9.3° to 25.6°	Illuminance @ 5 m (25.6°)	1,570 lux

### Thermal

Maximum External Temperature	Cooling System
113 °F (45 °C)	Convection

### DMX

I/O Connector	Channel Range
3- and 5-pin XLR	20 or 25 channels

### Ordering

Product Name	Item Code	UPC Number
Rogue Outcast 1 Hybrid		781462220112



UL 1573  
CSA C22.2 No. 166  
E113093



RoHS



## Returns

Send the product prepaid, in the original box, and with the original packing and accessories. Chauvet will not issue call tags.

Call Chauvet and request a Return Merchandise Authorization (RMA) number before shipping the product. Be prepared to provide the model number, serial number, and a brief description of the cause(s) for the return.

Clearly label the package with an RMA number. Chauvet will refuse any product returned without an RMA number.



**Write the RMA number on a properly affixed label. DO NOT write the RMA number directly on the box.**

Once you have the RMA number, provide the following information on a piece of paper and place it inside the box:

- Your name
- Your address
- Your phone number
- RMA number
- A brief description of the problem

Be sure to pack the product properly. Any shipping damage resulting from inadequate packaging will be your responsibility. FedEx packing or double-boxing are recommended.



**Chauvet reserves the right to use its own discretion to repair or replace returned product(s).**

## Contact Us

General Information	Technical Support
<b>Chauvet World Headquarters</b>	
Address: 5200 NW 108th Ave. Sunrise, FL 33351 Voice: (954) 577-4455 Fax: (954) 929-5560 Toll Free: (800) 762-1084	Voice: (844) 393-7575 Fax: (954) 756-8015 Email: <a href="mailto:chauvetcs@chauvetlighting.com">chauvetcs@chauvetlighting.com</a>  Website: <a href="http://www.chauvetprofessional.com">www.chauvetprofessional.com</a>
<b>Chauvet Europe Ltd</b>	
Address: Unit 1C Brookhill Road Industrial Estate Pinxton, Nottingham, UK NG16 6NT Voice: +44 (0) 1773 511115 Fax: +44 (0) 1773 511110	Email: <a href="mailto:UKtech@chauvetlighting.eu">UKtech@chauvetlighting.eu</a>  Website: <a href="http://www.chauvetprofessional.eu">www.chauvetprofessional.eu</a>
<b>Chauvet Europe BVBA</b>	
Address: Stokstraat 18 9770 Kruishoutem Belgium Voice: +32 9 388 93 97	Email: <a href="mailto:BNLtech@chauvetlighting.eu">BNLtech@chauvetlighting.eu</a>  Website: <a href="http://www.chauvetprofessional.eu">www.chauvetprofessional.eu</a>
<b>Chauvet France</b>	
Address: 3, Rue Ampère 91380 Chilly-Mazarin France Voice: +33 1 78 85 33 59	Email: <a href="mailto:FRtech@chauvetlighting.fr">FRtech@chauvetlighting.fr</a>  Website: <a href="http://www.chauvetprofessional.eu">www.chauvetprofessional.eu</a>
<b>Chauvet Germany</b>	
Address: Bruno-Bürgel-Str. 11 28759 Bremen Germany Voice: +49 421 62 60 20	Email: <a href="mailto:DEtech@chauvetlighting.de">DEtech@chauvetlighting.de</a>  Website: <a href="http://www.chauvetprofessional.eu">www.chauvetprofessional.eu</a>
<b>Chauvet Mexico</b>	
Address: Av. de las Partidas 34 - 3B (Entrance by Calle 2) Zona Industrial Lerma Lerma, Edo. de México, CP 52000 Voice: +52 (728) 690-2010	Email: <a href="mailto:servicio@chauvet.com.mx">servicio@chauvet.com.mx</a>  Website: <a href="http://www.chauvetprofessional.mx">www.chauvetprofessional.mx</a>

Visit the applicable website above to verify our contact information and instructions to request support. Outside the U.S., U.K., Ireland, Mexico, France, Germany, or Benelux, contact the dealer of record.