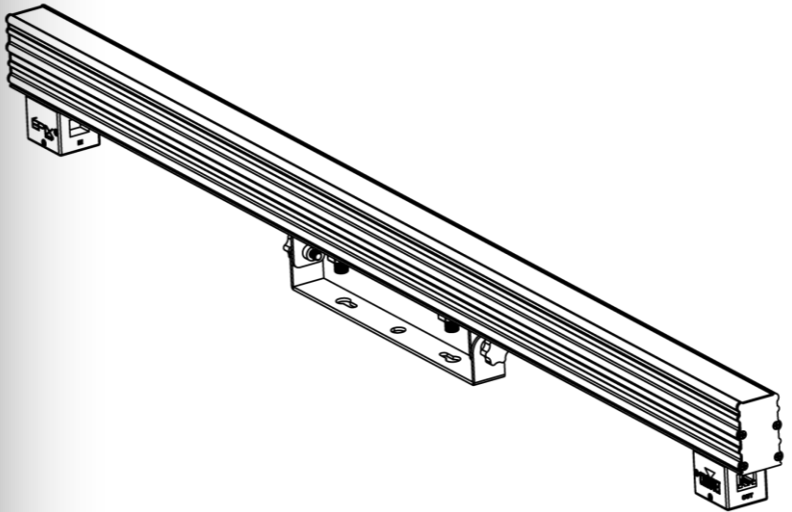


EPIX™ STRIP

User Manual



CHAUVET
PROFESSIONAL®

It's Green Thinking®

Edition Notes

The ÉPIX™ Strip User Manual Rev. 09 covers the description, safety precautions, installation, and maintenance of the ÉPIX™ Strip. CHAUVET® released this edition of the ÉPIX™ Strip User Manual in December 2011.

Trademarks

CHAUVET® is a registered trademark of CHAUVET & Sons LLC. (d/b/a CHAUVET® or Chauvet). The CHAUVET® logo in its entirety including the CHAUVET name and the dotted triangle, and all other trademarks in this manual pertaining to services, products, or marketing statements (example: It's Green Thinking™) are owned or licensed by CHAUVET®. Any other product names, logos, brands, company names, and other trademarks featured or referred to within this document are the property of their respective trademark holders.

Copyright Notice

CHAUVET® owns the content of this user manual in its entirety, including but not limited to pictures, logos, trademarks, and resources.

© Copyright 2011 CHAUVET®. All rights reserved.

Electronically published by CHAUVET® in the United States of America.

Manual Usage

CHAUVET® authorizes its customers to download and print this manual for professional information purposes only. CHAUVET® expressly prohibits the usage, copy, storage, distribution, modification, or printing of this manual or its content for any other purpose without written consent from CHAUVET®.

Intended Audience Any person installing, operating, and/or maintaining this product should read completely through, this User Manual, before installing, operating, or maintaining this product.

Disclaimer CHAUVET® believes that the information contained in this manual is accurate in all respects. However, CHAUVET® assumes no responsibility for any errors or omissions in this document. CHAUVET® reserves the right to revise and make changes to the content of this document without obligation that CHAUVET® notify any person or company of such revision or changes. This does not in any way constitute a commitment by CHAUVET® to make such changes. CHAUVET® may issue a revision of this manual or a new edition to incorporate such changes.

Document Revision The ÉPIX™ Strip User Manual Rev. 09 supersedes all previous versions of this manual. Discard any older versions of this manual you may have, whether in printed or electronic format, and replace with this version.

Author	Date	Editor	Date
D. Couppe	12/20/11	S. Graham	12/20/11

Unpacking Instructions

Immediately upon receiving this product, carefully unpack and check the container. Make sure you have received all the parts listed in the [What Is Included](#) section of this manual and that all the parts are in good condition.

Claims

If the container or the material inside the container (the product and included accessories) appear damaged from shipping, or show signs of mishandling, notify the carrier immediately upon receipt, not CHAUVET®. Failure to notify the carrier in a timely manner may invalidate your claim. In addition, keep the container and all the packing material for inspection.

For other issues such as missing components or parts, damage not related to shipping, or concealed damage, file a claim with CHAUVET® within seven (7) days of receiving the product.

Refer to the [Contact Us](#) section in this manual for addresses and phone numbers.

Icon Indications

Icon

This icon indicates . . .



Critical installation, configuration, or operation information. Failure to comply with this information may render the product partially or completely inoperative, damage third-party equipment, or cause harm to the user.



Important installation or configuration information. Failure to comply with this information may prevent the product from functioning correctly.



Useful but non-critical information.

Expected LED Lifespan

LEDs gradually decline in brightness over time, mostly because of heat. Packaged in clusters, LEDs exhibit higher operating temperatures than in ideal, single-LED conditions. For this reason, using clustered LEDs at their fullest intensity significantly reduces the LEDs' lifespan. Under normal conditions, this lifespan can be 40,000 to 50,000 hours. If extending this lifespan is vital, lower the operating temperature by improving the ventilation around the product and reducing the ambient temperature to an optimal operating range. In addition, limiting the overall projection intensity may also help to extend the LEDs' lifespan.

Safety Notes Read all the following Safety Notes before working with this product. These notes include important information about the installation, usage, and maintenance of this product.



There are no user-serviceable parts in this product. Any reference to servicing in this User Manual applies only to properly certified CHAUVET® technicians. Do not open the housing or attempt any repairs unless you are certified by CHAUVET®.



Please refer to all applicable local codes and regulations for proper installation of this product.

Personal Safety

- Avoid direct eye exposure to the light source while the product is on.
- Always disconnect this product from its power source before servicing.
- Always connect this product to a grounded circuit to avoid the risk of electrocution.
- Do not touch this product's housing during operation because it may be very hot.

Mounting and Rigging

- This product is for indoor use only! To prevent risk of fire or shock, do not expose this product to rain or moisture.
- Make sure there are no flammable materials close to this product while it is operating.
- When hanging this product, always secure to a fastening device using a safety chain/cable (not included).

Power and Wiring

- Always make sure you are connecting this product to the proper voltage, as per the specifications in this manual or on the product's specification label.
- Never connect this product to a dimmer pack or rheostat.
- Never disconnect this product by pulling or tugging on the power cable.

Operation

- Do not operate this product if you see damage on the housing, lenses, or cables. Have the damaged parts replaced by a technician certified by CHAUVET® at once.
- Do not cover the ventilation slots when operating to avoid internal overheating.
- The maximum ambient temperature is 104° F (40° C). **Do not operate this product at a higher temperature.**
- In case of a serious operating problem, stop using this product immediately!



In the unlikely event that your CHAUVET® product requires service, contact CHAUVET® Technical Support.

- What Is Included**
- One ÉPIX™ Strip
 - One Warranty Card

- Features**
- Addressed via the ArKaos Kling-Net protocol which provides fast and easy assignment and control.
 - A video/pixel mapping system that doesn't require years of experience or technical know-how to design, set-up, or operate.
 - Does NOT require piles of processing, driver, and signal distribution equipment to create large-scale displays.
 - Independent system of strip style fixtures that can be used for video and pixel mapping applications with countless layout options.
 - Receives power and data via an RJ45 connection from the ÉPIX™ Drive 640.
 - Tri-color SMD LEDs covered by a smooth diffuser plate provides excellent color blending and wide viewing angles.
 - Housing Material: Aluminum Alloy.

- Controllers**
- ÉPIX™ Drive 640 (required)
 - ArKaos MediaMaster™ software (required)

Product Description

The ÉPIX™ Strip is a small, compact linear product with 40 tri-color SMD LEDs. When multiple products are assembled and connected together with the ÉPIX™ Driver 640, the entire configuration becomes a low-resolution video display.

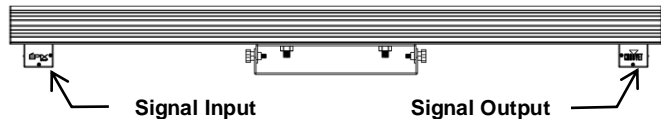
The ÉPIX™ Strip consists of an aluminum alloy housing and stainless steel construction. You may combine other ÉPIX™ series products to create multiple numbers of configurations, orienting them in any direction you desire.

The ÉPIX™ Strip requires the use of the ÉPIX™ 640 Drive and is controlled using a computer (Mac or PC) with ArKaos MediaMaster™ software installed.

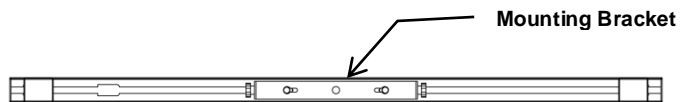


ArKaos MediaMaster™ software running on a PC or Mac is required to use this product.

Product Overview



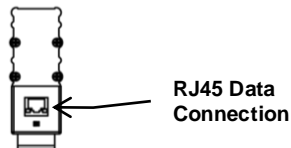
Side View



Rear View

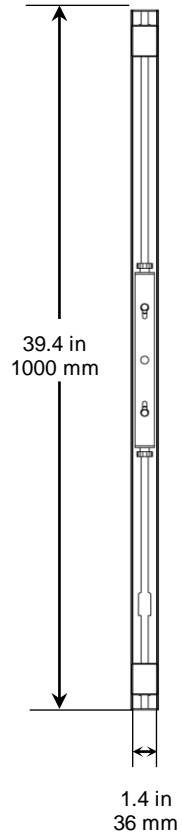
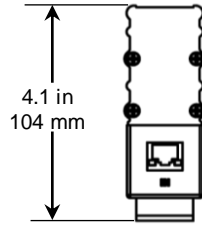


Front View



End View

Product Dimensions



Input Power The input power for the ÉPIX™ strip is provided by an ÉPIX™ Drive 640.



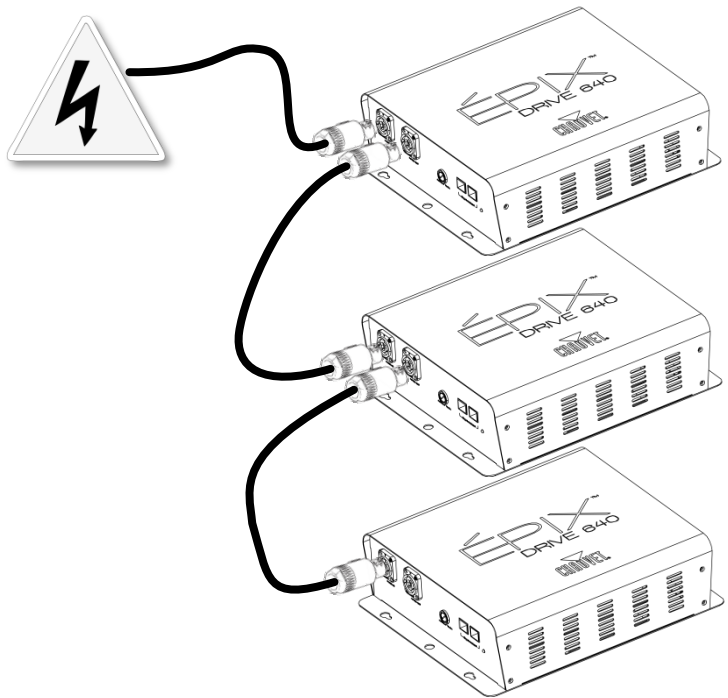
Never connect this product to a rheostat (variable resistor) or dimmer circuit, even if the rheostat or dimmer channel serves only as a 0% to 100% switch.

Power Linking You can link up to four (4) ÉPIX™ Strip products on each output of the ÉPIX™ Drive 640 for a total of sixteen (16) products. Make sure you never exceed these numbers.



You can only link up to three (3) ÉPIX™ Drive 640 products at 120 VAC or six (6) products at 230 VAC! Refer to the Technical Specifications section of the ÉPIX™ Drive 640 manual for further information.

Drive Power Linking Diagram

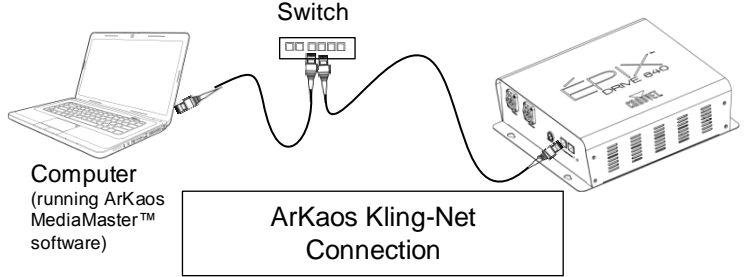


Data Linking

The ÉPIX™ Strip will work through an ÉPIX™ Drive 640 connected through a network switch (or crossover cable) to a computer (Mac or PC) with ArKaos MediaMaster™ software installed.

Data Connection

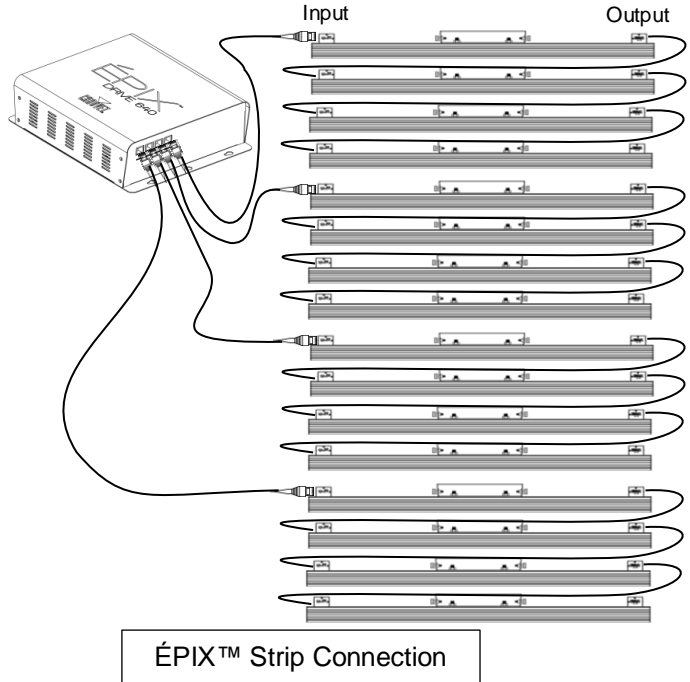
The ÉPIX™ Strip uses an RJ45 data connection to link all data ports. The following diagrams illustrate how to assemble the data connections.



For smooth-running operation, ArKaos Kling-Net requires a gigabit (1000Mbps) Ethernet card and network switch.



NEVER REVERSE THE INPUT AND OUTPUT CONNECTIONS! DOING SO WILL DESTROY THE INTERNAL CIRCUITS OF THE PRODUCT!



Mounting Before mounting this product, read the [Safety Notes](#) at the beginning of this User Manual.

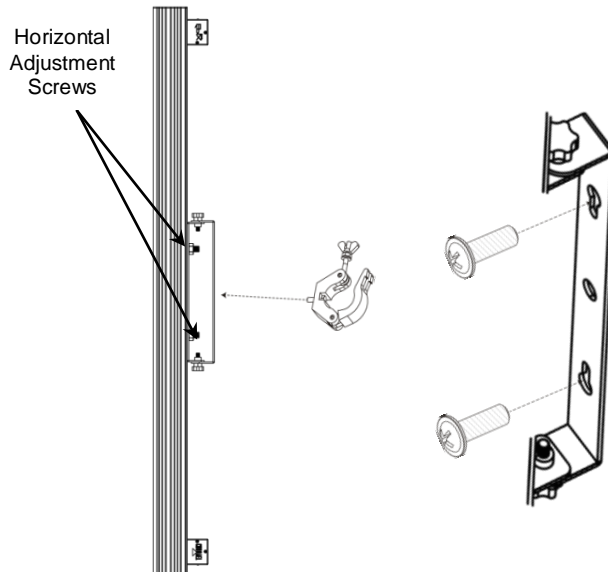
Orientation Always mount this product in a safe position making sure there is adequate room for ventilation, configuration, and maintenance.

Rigging The ÉPIX™ Strip includes an adjustable mounting bracket with three (3) 10 mm holes. CHAUVET® recommends using the following general guidelines when mounting this product:

- When selecting an installation location, consider easy access to this product for operation, programming adjustments, and routine maintenance.
- Make sure to mount this product away from any flammable material as indicated in the [Safety Notes](#) section of this manual.
- Never mount in places where rain, high humidity, extreme temperature changes, or restricted ventilation may affect the product.
- If hanging this product, make sure that the mounting location can support the product's weight. Refer to the [Technical Specifications](#) section of this manual for the weight-bearing requirements for this product.

Procedure The ÉPIX™ Strip comes with an adjustable mounting bracket with three (3) 10 mm holes to which you can attach clamps. This bracket may also serve as a floor or wall mount support. You must supply your own clamps and make sure the clamps are capable of supporting the weight of this product.

**Product
Mounting
Diagram**



Programming

Refer to the ArKaos MediaMaster™ software manual for detailed instructions on installing and programming this product.

**Product
Maintenance**

To maintain optimum performance and minimize wear, clean this product frequently. Usage and environment are contributing factors in determining the cleaning frequency.

As a rule, clean this product at least twice a month. Dust build-up reduces light output performance and can cause overheating. This can lead to reduced light source life and increased mechanical wear.

To clean your product:

- Unplug the product from power.
- Wait until the product has cooled.
- Use a vacuum (or dry compressed air) and a soft brush to remove dust collected on the external vents and accessible internal components.
- Clean all external surfaces with a mild solution of non-ammonia glass cleaner or isopropyl alcohol.
- Apply the solution directly to a soft, lint-free cotton cloth or a lens cleaning tissue, not to the product.
- Wipe any dirt or grime to the outside edge of the surface. Gently polish the surfaces with the lint-free cotton cloth or lens cleaning tissue until they are free of haze and lint.



Always dry the external surfaces carefully after cleaning them.

Returns Procedure

You must send the product prepaid, in the original box, and with the original packing and accessories. CHAUVET® will not issue call tags.

Call CHAUVET® and request a Return Merchandise Authorization (RMA) number before shipping the product. Be prepared to provide the model number, serial number, and a brief description of the cause for the return.

Clearly label the package with the RMA number. CHAUVET® will refuse any product returned without an RMA number.



DO NOT write the RMA number directly on the box. Instead, write it on a properly affixed label.

Once you have received the RMA number, include the following information on a piece of paper inside the box:

- Your name
- Your address
- Your phone number
- The RMA number
- A brief description of the problem

Be sure to pack the product properly. Any shipping damage resulting from inadequate packaging will be your responsibility. As a suggestion, proper FedEx packing or double-boxing is the method CHAUVET® recommends.



CHAUVET® reserves the right to use its own discretion to repair or replace returned product(s).

Technical Specifications

Dimensions and Weight	Length	Width	Height	Weight
	1.4 in (36 mm)	39.4 in (1000 mm)	4.1 in (104 mm)	5.5 lbs (2.5 kg)

Note: Dimensions in inches rounded to the nearest decimal digit.

Electrical	Power Supply Type	Range	Voltage Selection
	ÉPIX™ Drive 640	24 VDC	N/A

	Power I/O	US/Worldwide	Europe
	Power input connector	RJ45	RJ45
	Power output connector	RJ45	RJ45
	Power cord plug	RJ45	RJ45

Light Source	Type	Power	Lifespan
	LED	24 VDC	50,000 hours

	Color	Quantity
	Tri-color 5050 SMD	40

Photo Optic	Parameter	Standard Optics
	Luminance	850 NIT
	Pixel pitch	25 mm
	Viewing angle	120°

Thermal	Max. External Temperature	Cooling System
	104° F (40° C)	Convection

ArKaos Kling-Net Connections	I/O Connectors	Channel Range
	RJ45	Determined per ArKaos MediaMaster™ software

Ordering	Product Name	Item Code	UPC Number
	ÉPIX™ Strip	17090453	781462208059
	ArKaos MediaMaster™ software	99080464	781462208165

Contact Us

World Headquarters

CHAUVET®

General Information

Address: 5200 NW 108th Avenue
Sunrise, FL 33351
Voice: (954) 929-1115
Fax: (954) 929-5560
Toll free: (800) 762-1084

Technical Support

Voice: (954) 929-1115 (Press 4)
Fax: (954) 756-8015
Email: tech@chauvetlighting.com

World Wide Web

www.chauvetpro.com

United Kingdom and Ireland

CHAUVET® Europe Ltd.

General Information

Address: Unit 1C
Brookhill Road Industrial Estate
Pinxton, Nottingham, UK
NG16 6NT
Voice: +44 (0)1773 511115
Fax: +44 (0)1773 511110

Technical Support

Email: uktech@chauvetlighting.com

World Wide Web

www.chauvetlighting.co.uk

Outside the U.S., United Kingdom, or Ireland, contact your distributor of record. Follow their instructions to request support or to return a product. Visit our website for contact details.

ÉPIX™ Strip User Manual – Rev. 09

© Copyright 2011 CHAUVET®

All rights reserved.

Printed in the P. R. C.