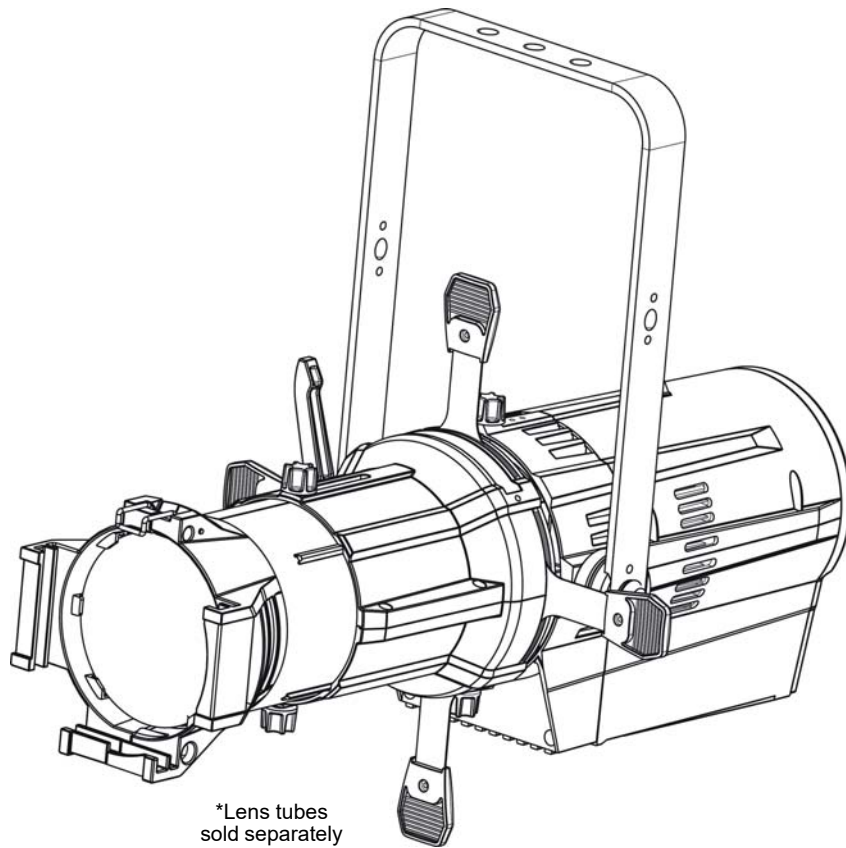


Ovation

ED-200 WW

User Manual



*Lens tubes
sold separately



CHAUVET
PROFESSIONAL

Edition Notes

The Ovation ED-200WW User Manual includes a description, safety precautions, installation, programming, operation and maintenance instructions for the Ovation ED-200WW as of the release date of this edition.

Trademarks

CHAUVET, the Chauvet logo and Ovation ED-200WW are registered trademarks or trademarks of Chauvet & Sons, LLC (d/b/a Chauvet and Chauvet Lighting) in the United States and other countries. Other company and product names and logos referred to herein may be trademarks of their respective companies.

Copyright Notice

The works of authorship contained in this manual, including, but not limited to, all design, text and images are owned by Chauvet.

© **Copyright 2018 Chauvet & Sons, LLC. All rights reserved.**

Electronically published by Chauvet in the United States of America.

Manual Use

Chauvet authorizes its customers to download and print this manual for professional information purposes only. Chauvet expressly prohibits the usage, copy, storage, distribution, modification, or printing of this manual or its content for any other purpose without written consent from Chauvet.

Document Printing

For best results, print this document in color, on letter size paper (8.5 x 11 in), double-sided. If using A4 paper (210 x 297 mm), configure the printer to scale the content accordingly.

Intended Audience

Any person installing, operating, and/or maintaining this product should completely read through the guide that shipped with the product, as well as this manual, before installing, operating, or maintaining this product.

Disclaimer

Chauvet believes that the information contained in this manual is accurate in all respects. However, Chauvet assumes no responsibility and specifically disclaims any and all liability to any party for any loss, damage or disruption caused by any errors or omissions in this document, whether such errors or omissions result from negligence, accident or any other cause. Chauvet reserves the right to revise the content of this document without any obligation to notify any person or company of such revision, however, Chauvet has no obligation to make, and does not commit to make, any such revisions. Download the latest version from www.chauvetprofessional.com.

Document Revision

This Ovation ED-200WW User Manual is the 1st edition of this document. Go to www.chauvetprofessional.com for the latest version.

TABLE OF CONTENTS

1. Before You Begin	1
What Is Included	1
Claims	1
Manual Conventions	1
Symbols	1
Safety Notes.....	2
Personal Safety.....	2
Mounting and Rigging	2
Power and Wiring.....	2
Operation	2
Expected LED Lifespan.....	2
2. Introduction	3
Description	3
Features.....	3
Lens Tube	3
Product Overview.....	4
Product Dimensions.....	5
3. Setup	6
AC Power	6
AC Plug.....	6
Power Linking.....	6
Fuse Replacement.....	6
DMX Linking.....	7
DMX Personalities.....	7
Remote Device Management (RDM).....	7
Master/Slave Connectivity.....	7
Dimmer Modes.....	7
Mounting	8
Orientation.....	8
Rigging	8
Procedure.....	8
Manual Beam Focus Control.....	9
Rotating the Barrel Assembly.....	9
Accessory Slot	9
4. Operation	10
Control Panel Operation.....	10
Control Options	10
Programming.....	10
Control Panel Lock.....	10
Passcode	10
Menu Map	11
Configuration (Standalone)	12
Static Mode	12
Master/Slave	12
Mode Setting.....	12
Configuration (Operating Settings).....	13
Power Mode	13
Dimmer Profiles.....	13
Dimmer Curves	13
Performance Mode.....	13
Factory Reset.....	13

LED Frequency	13
System Information	13
Configuration (DMX)	14
DMX Personalities.....	14
DMX Address	14
DMX Error	14
DMX Values	14
STD.P.....	14
DOS	14
UNO	14
5. Technical Information	15
Product Maintenance	15
6. Technical Specifications	16
Photometric Charts	17
750 W.....	17
575 W.....	22
Returns.....	27
Contact Us	28

Before You Begin

1. Before You Begin

What Is Included

- Ovation ED-200WW
- Neutrik® powerCON® Power Cord
- Warranty Card
- Quick Reference Guide

Claims

Carefully unpack the product immediately and check the container to make sure all the parts are in the package and are in good condition.




If the box or the contents (the product and included accessories) appear damaged from shipping, or show signs of mishandling, notify the carrier immediately, not Chauvet. Failure to report damage to the carrier immediately may invalidate your claim. In addition, keep the box and contents for inspection.

For other issues, such as missing components or parts, damage not related to shipping, or concealed damage, file a claim with Chauvet within 7 days of delivery.

Manual Conventions

Convention	Meaning
1–512	A range of values
50/60	A set of values of which only one can be chosen
<SET>	A button on the product's control panel
Settings	A product function or a menu option

Symbols

Symbol	Meaning
	Critical installation, configuration, or operation information. Not following these instructions may make the product not work, cause damage to the product, or cause harm to the operator.
	Important installation or configuration information. The product may not function correctly if this information is not used.
	Useful information.



Any reference to power connections in this manual assumes the use of Neutrik® powerCON® cables.



The term “DMX” used throughout this manual refers to the USITT DMX512-A digital data transmission protocol.

Safety Notes

Read all the following safety notes before working with this product. These notes contain important information about the installation, usage, and maintenance of this product.



This product contains no user-serviceable parts. Any reference to servicing in this User Manual will only apply to properly trained, certified technicians. Do not open the housing or attempt any repairs.



All applicable local codes and regulations apply to proper installation of this product.

Personal Safety

- Avoid direct eye exposure to the light source while the product is on.
- Always disconnect the product from the power source before cleaning or replacing the fuse.
- Always connect the product to a grounded circuit to avoid the risk of electrocution.
- Do not touch the product's housing when operating because it may be very hot.

Mounting and Rigging

- This product is not intended for permanent installation.
- This product is for indoor use only! To prevent risk of fire or shock, do not expose this product to rain or moisture. (IP20)
- CAUTION: When transferring product from extreme temperature environments, (e.g. cold truck to warm humid ballroom) condensation may form on the internal electronics of the product. To avoid causing a failure, allow product to fully acclimate to the surrounding environment before connecting it to power.
- Mount this product in a location with adequate ventilation, at least 20 in (50 cm) from adjacent surfaces.
- Make sure there are no flammable materials close to this product while it is operating.
- When hanging this product, always secure to a fastening device using a safety cable.
- Never carry the product by the power cord.

Power and Wiring

- Make sure the power cord is not crimped or damaged.
- Always make sure you are connecting this product to the proper voltage in accordance with the specifications in this manual or on the product's specification label.
- To eliminate unnecessary wear and improve its lifespan, during periods of non-use completely disconnect the product from power via breaker or by unplugging it.
- Never connect this product to a dimmer pack or rheostat.
- Make sure to replace the fuse with another of the same type and rating.
- Never disconnect this product by pulling or tugging on the power cable.

Operation

- Do not operate this product if there is damage on the housing, lenses, or cables. Have the damaged parts replaced by an authorized technician at once.
- Do not cover the ventilation slots when operating to avoid internal overheating.
- The maximum ambient temperature is 113 °F (45 °C). Do not operate the product at higher temperatures.
- In the event of a serious operation problem, stop using this product immediately!



If your Chauvet product requires service, contact Chauvet Technical Support.

Expected LED Lifespan

LEDs gradually decline in brightness over time, primarily because of heat. LEDs that are arranged in clusters experience higher operating temperatures than single LEDs. For this reason, operating clustered LEDs at their fullest intensity significantly reduces the LEDs' lifespan. Under normal conditions, this lifespan is 90,000 to 100,000 hours. If extending this lifespan is vital, lower the operating temperature by improving the ventilation around the product, thus reducing the ambient temperature. In addition, limiting the overall projection intensity may extend the LEDs' lifespan.

2. Introduction

Description

The Ovation ED-200WW ellipsoidal spot is a high-power LED based product that runs when connected directly to constant power and DMX, or on any dimming power source. Advanced on-board electronics automatically detect what type of power and data the product receives and it responds accordingly. The Ovation ED-200WW delivers white light with a warm color temperature and a flat field. It also features standard beam shaping shutters, a gobo/effect slot and lens barrels that are interchangeable with other ERS products.

Features

- Operating modes:
 - 1-channel (**UNO**): dimmer control
 - 2-channel (**DOS**): dimmer and fine dimmer control
 - 3-channel (**STD.P**): dimmer, fine dimmer, and strobe control
- Warm white ERS style fixture with output exceeding a tungsten 750 W source
- Works on conventional dimmers or constant power with DMX
- Auto-senses power/data and responds appropriately
- Superior low end dimming whether using dimmers or constant power
- Perfect fixture for the retrofit market, utilizes existing dimming infrastructure flawlessly
- 16-bit dimming resolution (DMX mode) for smooth fades
- Flat, even field of light for superior gobo projection
- Works perfectly with industry standard lens tubes and accessories
- Virtually silent operation for use in any situation

Lens Tube

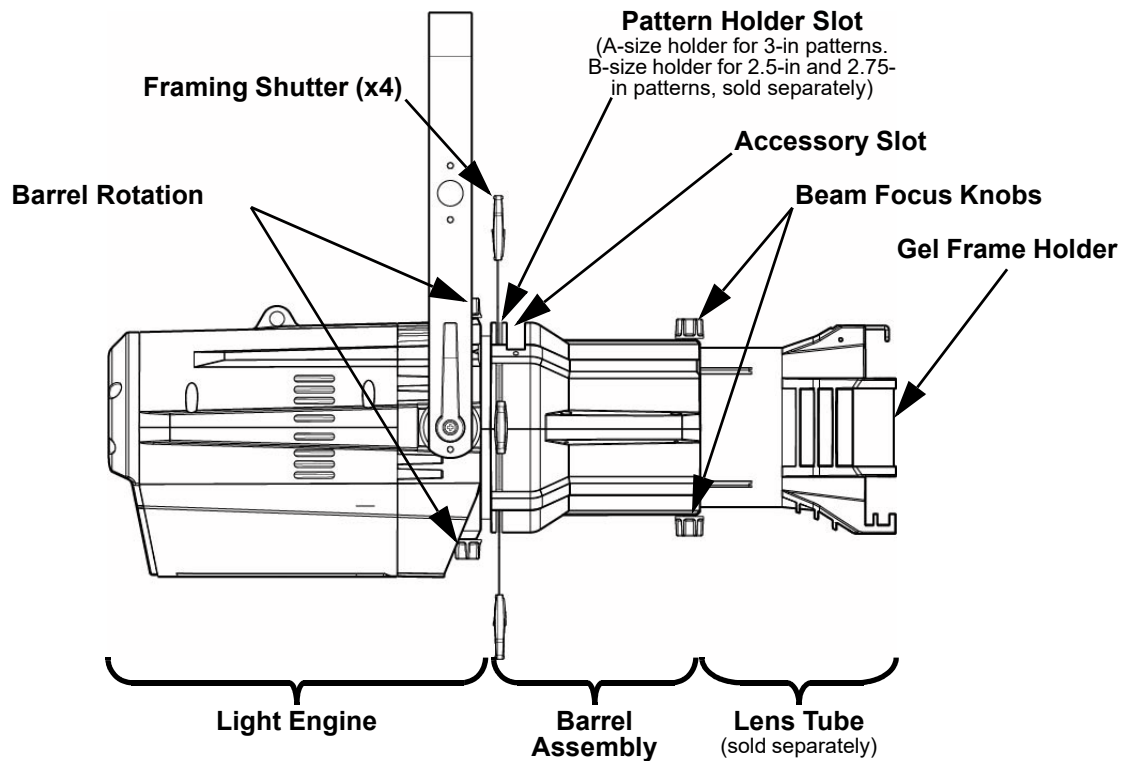
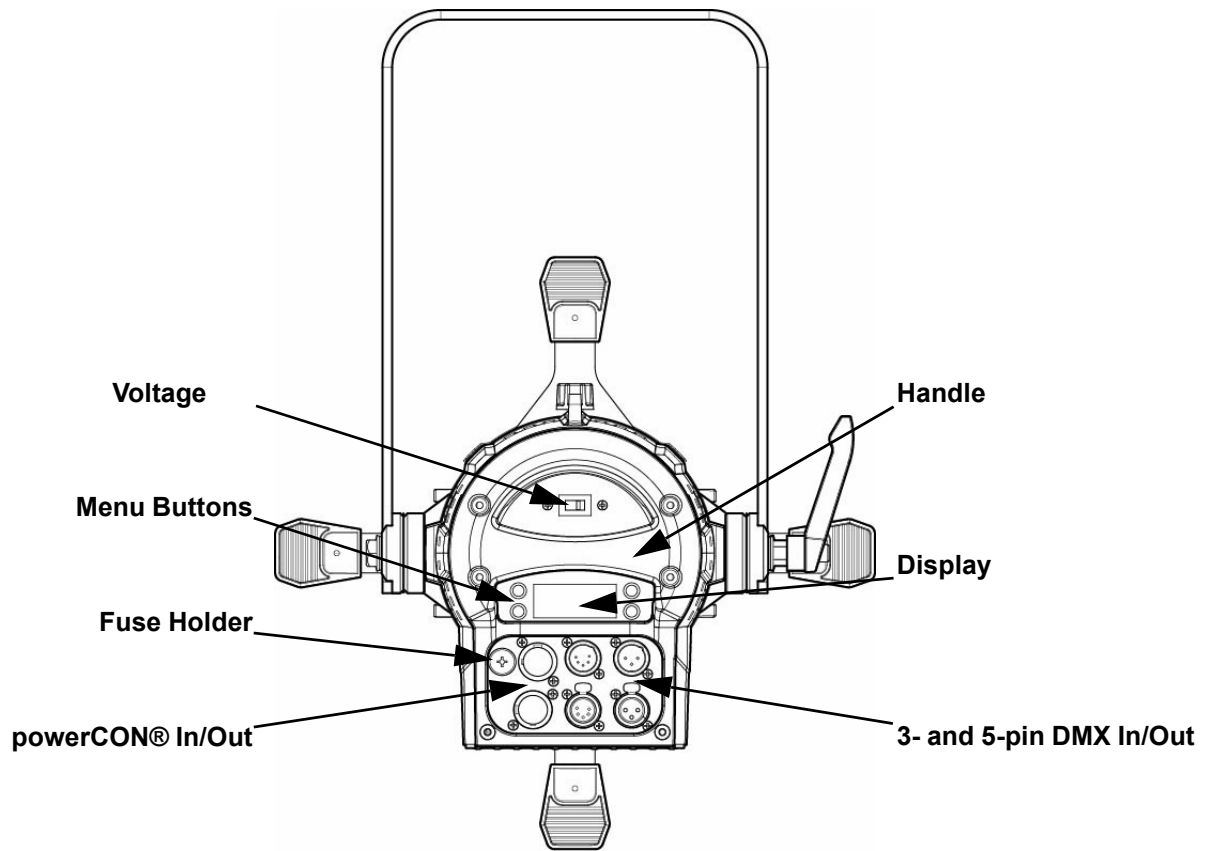
The following lens tubes are available for purchase:

- 14° w/ Gel frame (7.5 in/191 mm accessories)
- 19° w/ Gel frame (6.25 in/159 mm accessories)
- 26° w/ Gel frame (6.25 in/159 mm accessories)
- 36° w/ Gel frame (6.25 in/159 mm accessories)
- 50° w/ Gel frame (6.25 in/159 mm accessories)
- 15°–30° w/ Gel frame (7.5 in/191 mm accessories)
- 25°–50° w/ Gel frame (7.5 in/191 mm accessories)

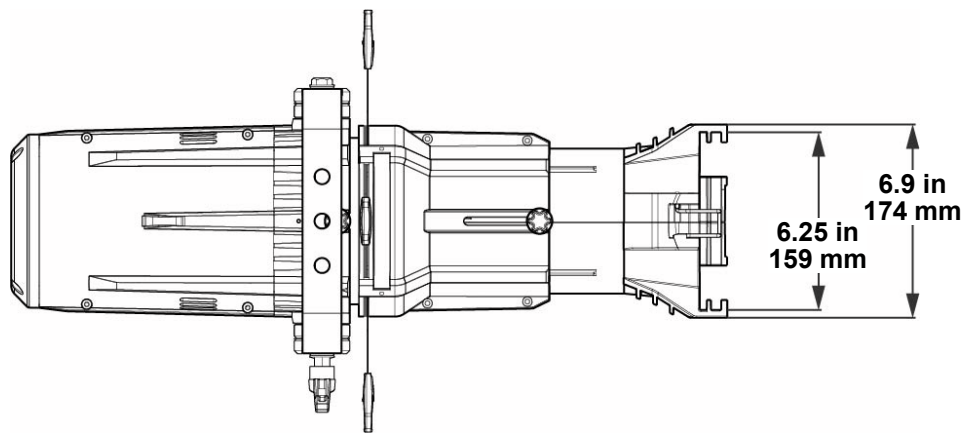
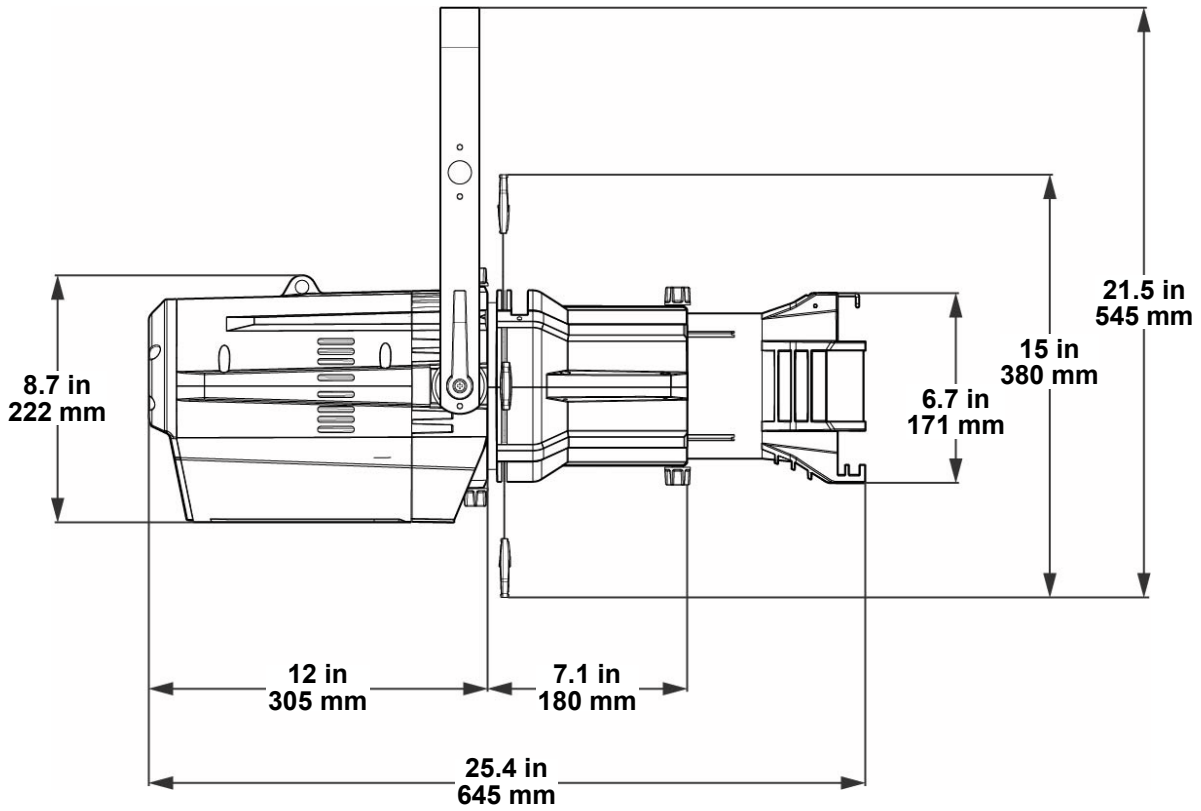


Do not operate the Ovation ED-200WW without a lens tube installed.

Product Overview



Product Dimensions



3. Setup

AC Power

Each Ovation ED-200WW has an auto-ranging power supply that works with an input voltage range of 100 to 240 VAC, 50/60 Hz. To determine the power requirements for each Ovation ED-200WW, refer to the label affixed to the product. You can also refer to the [Technical Specifications](#) chart in this manual.

The listed current rating indicates the maximum current draw during normal operation. For more information, download Sizing Circuit Breakers from the Chauvet website: www.chauvetprofessional.com.



- **Always connect the product to a protected circuit (circuit breaker or fuse). Make sure the product has an appropriate electrical ground to avoid the risk of electrocution or fire.**
- **To eliminate unnecessary wear and improve its lifespan, during periods of non-use completely disconnect the product from power via breaker or by unplugging it.**



Never connect the product to a rheostat (variable resistor) or dimmer circuit, even if the rheostat or dimmer channel serves only as a 0 to 100% switch.

AC Plug

The Ovation ED-200WW comes with a power input cord terminated with a Neutrik® powerCON® on one end and an Edison plug on the other end (U.S. market). If the power input cord that came with your product has no plug, or if you need to change the plug, use the table below to wire the new plug.

Connection	Wire (U.S.)	Wire (Europe)	Screw Color
AC Live	Black	Brown	Yellow or Brass
AC Neutral	White	Blue	Silver
AC Ground	Green/Yellow	Green/Yellow	Green

Power Linking

The product supports power linking.

In 750 W mode, you can link up to 6 Ovation ED-200WW products at 120 V, or 12 products at 230 V.

In 575 W mode, you can link up to 8 products at 120 V, or 15 products at 230 V.

This product comes with a power input cord. Power linking cables are available from Chauvet for purchase.

Fuse Replacement

1. Disconnect the product from the power outlet.
2. Using a Phillips-head screwdriver, unscrew the fuse holder cap from the housing.
3. Remove the blown fuse and replace with another fuse of the same type and rating (T 6.3 A, 250 V).
4. Screw the fuse holder cap back in place and reconnect power.



Make sure to disconnect the product from power before replacing a blown fuse. Always replace the blown fuse with another of the same type and rating.

DMX Linking

You can link the Ovation ED-200WW to a DMX controller using a 3- or 5-pin DMX connection. If using other DMX-compatible products with this product, you can control each individually with a single DMX controller.

DMX Personalities

The Ovation ED-200WW uses a 3- or 5-pin DMX data connection for the 1-, 2-, and 3-channel DMX personalities.

- Refer to the [Introduction](#) chapter for a brief description of each DMX personality.
- Refer to the [Operation](#) chapter to learn how to configure the Ovation ED-200WW to work in these personalities.
- The [DMX Values](#) section provides detailed information regarding the DMX personalities.



If you are not familiar with or need more information about DMX standards, Master/Slave connectivity, or the DMX cables needed to link this product to a DMX controller, download the DMX Primer from the Chauvet website: www.chauvetprofessional.com.

Remote Device Management (RDM)

Remote Device Management, or RDM, is a standard for allowing DMX-enabled devices to communicate bi-directionally along existing DMX cabling. Check the DMX controller's User Manual or with the manufacturer as not all DMX controllers have this capability. The Ovation ED-200WW supports RDM protocol that allows feedback to make changes to menu map options.

Master/Slave Connectivity

The Master/Slave mode allows a Ovation ED-200WW (the master) to control one or more Ovation ED-200WW products (the slaves) without a DMX controller. One Ovation ED-200WW becomes the master when running an auto program, or by being in Static mode.

You must configure each slave's control panel to operate in Slave mode. During Master/Slave operation, the slaves will operate in unison with the master.



DO NOT connect a DMX controller to products operating in Master/Slave mode. The DMX controller signals may interfere with the signals from the master.



- The [Operation](#) section of this manual provides detailed instructions on how to configure the master and slaves.
- **If you are not familiar with or need more information about DMX standards, or the DMX cables needed to link this product to a DMX controller, download the DMX Primer from the Chauvet website: www.chauvetprofessional.com.**

Dimmer Modes

The Ovation ED-200WW may be plugged into and controlled using a regular dimmer.

- When in **SENS** mode, advanced onboard electronics automatically detect what type of power and data the product receives and it responds accordingly. This is the factory default setting.
- When in **DMX512** mode, the product runs only on constant power and is controlled solely on DMX. The product will not respond to dimmer control in this mode.
- When in **DMMR** mode, DMX control is turned off. Intensity is controlled using a dimmer. In this mode, the product reacts exactly like an incandescent product.

For the best performance while running on dimmers, use the settings listed below:

1. Go to the **SETTING** main level.
2. Select the **DIMMER** programming level.
3. Select **DIM4**.
4. Go back to **SETTING** main level.
5. Select the **CURVE** programming level.
6. Select **CURVE3**.

Mounting

Before mounting the product, read and follow the safety recommendations indicated in the [Safety Notes](#). For our CHAUVET Professional line of mounting clamps, go to <http://trusst.com/products/>.

Orientation

Always mount this product in a safe position, making sure there is adequate room for ventilation, configuration, and maintenance.

Rigging

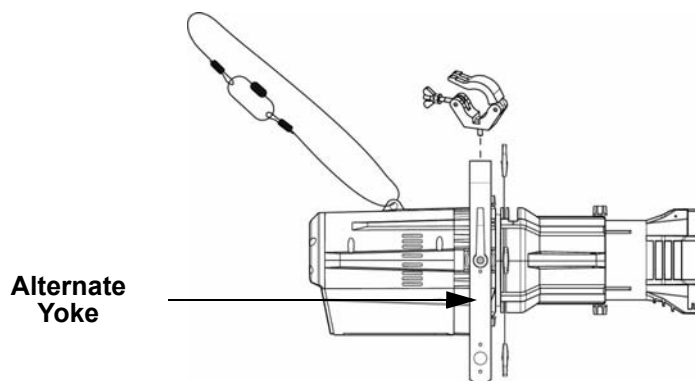
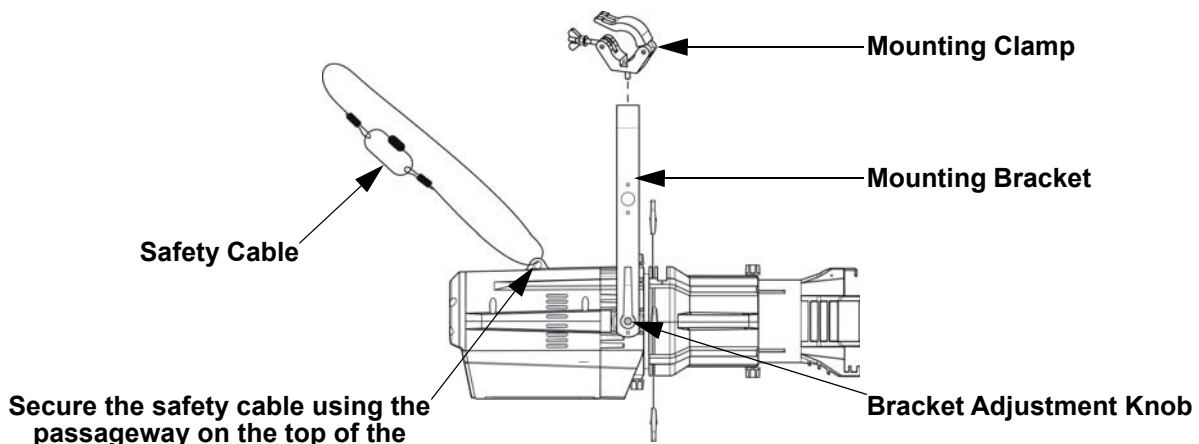
Chauvet recommends using the following general guidelines when mounting this product.

- Before deciding on a location for the product, make sure there is easy access to the product for maintenance and programming purposes.
- Make sure that the structure onto which you are mounting the product can support the product's weight. See the [Technical Specifications](#) for weight information.
- When mounting the product overhead, always use a safety cable. Mount the product securely to a rigging point, whether an elevated platform or a truss.
- When rigging the product onto a truss, use a mounting clamp of appropriate weight capacity.
- When power linking multiple products, mount the products close enough for power linking cables to reach.
- The bracket adjustment knob allows for directional adjustment when aiming the product to the desired angle. Only loosen or tighten the bracket knob manually. Using tools could damage the knob.

Procedure

The Ovation ED-200WW comes with a hanging/mounting bracket to which mounting clamps can be attached. The bracket has 13-mm holes, which are appropriate for this purpose. Be sure the clamps used are capable of supporting the weight of this product. Use at least one mounting point per product where necessary.

Mounting Diagram



Manual Beam Focus Control

The Ovation ED-200WW has a manual focus, which is adjusted as follows:

1. Locate the beam focus knobs at the top and bottom of the barrel assembly.
2. Loosen the knobs by turning them counter-clockwise.
3. Slide the lens tube forward or backward until you achieve the desired focus or beam edge.
4. Tighten the knobs by turning them clockwise, which lock the lens tube's position.



To avoid changing menu settings while focusing the Ovation ED-200WW, press and hold the <ENTER> button for 3 seconds. This will put the product in "Focus Mode" by increasing the intensity to 100%. To exit out of focus mode, press <MENU>.

Rotating the Barrel Assembly

The Ovation ED-200WW allows manual rotation of the barrel assembly, as follows:

1. Locate the barrel rotation knobs at the top and bottom of the light engine.
2. Loosen the knobs by turning them counter-clockwise.
 - **Note:** Do not remove the knobs.
3. Rotate the barrel to the desired position, up to 25° in either direction from the centered position.
4. Tighten the knobs by turning them clockwise, which lock the barrel's position.

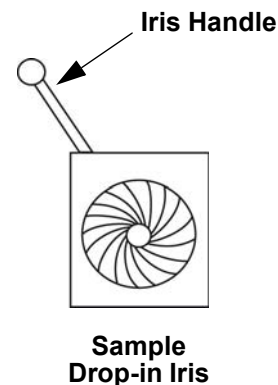
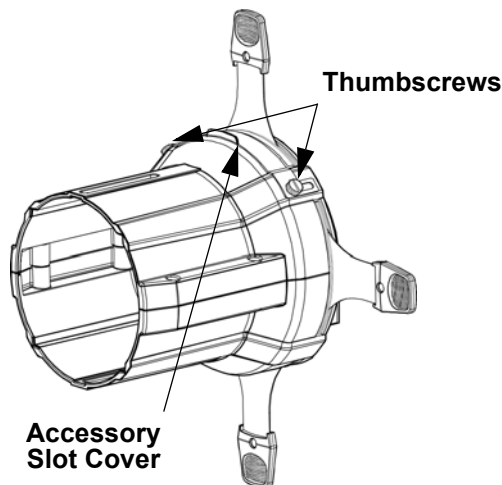


Make sure the barrel assembly is oriented with the pattern holder and accessory slots at the top of the product.

Accessory Slot

The Ovation ED-200WW has an accessory slot, which holds a drop-in iris, a motorized pattern device, or various other optional accessories (sold separately).

1. Loosen the thumbscrews on the slot cover.
 - **Note:** Do not remove the thumbscrews.
2. Slide the cover forward.
3. Insert an accessory.
 - **Note:** Make sure to insert the accessory correctly. For example, make sure the iris handle extends upward from the slot.
4. Slide the cover back. Make sure any handles or adjustment tools that stick out the top are able to function correctly.
5. Tighten the thumbscrews to secure the cover.



- **When not using the accessory slot, replace and secure the slot cover to prevent light leakage during operation.**
- **When obtaining any optional accessories, be sure the items are compatible with the Ovation ED-200WW.**

4. Operation

Control Panel Operation

Button	Function
<MENU>	Exits from the current menu or function
<ENTER>	Enables the currently displayed menu or sets the currently selected value in to the current function
<UP>	Navigates upward through the menu list or increases the numeric value when in a function
<DOWN>	Navigates downward through the menu list or decreases the numeric value when in a function

Control Options

Set the Ovation ED-200WW starting address in the **001-512** DMX range. This enables control of up to 170 products in the 3-channel **STD.P** personality.

Programming

Refer to the Menu Map to understand the menu options. The menu map shows the main level and a variable number of programming levels for each option.

- To go to the desired main level, press **<MENU>** repeatedly until the option shows on the display. Press **<ENTER>** to select. This will take you to the first programming level for that option.
- To select an option or value within the current programming level, press **<UP>** or **<DOWN>** until the option shows on the display. Press **<ENTER>** to select. In this case, if there is another programming level, you will see that first option, or you will see the selected value.
- Press **<MENU>** repeatedly to exit to the previous main level.

Control Panel Lock

This setting enables you to activate or disable the control panel lock, which keeps unauthorized users from changing the product's settings.

1. Go to the **SETTING** main level.
2. Select the **KEY** (to lock the whole menu) or **SLOCK** (to lock the **SETTING** menu) programming level.
3. Select **ON** or **OFF**.



When the control panel lock is activated, in order to access the products main programming level, the product will prompt for the passcode. Enter the passcode as described below.

Passcode

After being prompted to enter the passcode:

Press **<UP>**, **<DOWN>**, **<UP>**, **<DOWN>**, **<ENTER>**.

Menu Map

Main Level	Programming Levels		Description
STATIC	DIMMER	0–100	Manual control of output
RUNMODE	DMX512		Sets the mode to DMX control
	SLAVE		Sets the mode to master/slave
	DMMR		Sets the mode to dimmer control, which turns off data input
	SENS		Automatically chooses between dimmer and DMX
POWER MODE	575W		Matches output to 575 W incandescent fixture
	750W		Matches output to 750 W incandescent fixture
ADDRESS	001–512		Sets the starting address
SETTING	KEY	ON	Sets the key lock (passcode mode)
		OFF	
	DIMMER	OFF	Linear dimmer
		DIM1	Slow (DIM4) to fast (DIM1) dimmer speeds. For best performance while using on a dimmer, set this to DIM4 .
		DIM2	
		DIM3	
		DIM4	
	CURVE	OFF	No dimmer curve
		CURVE1	Large (CURVE3) to small (CURVE1) dimmer curves. For best performance while using on a dimmer, set this to CURVE3 .
		CURVE2	
		CURVE3	
	PERFORM	LIVE	Balances LED cooling using fans and output power level
		STUDIO	Maintains LED cooling by limiting power level
	SLOCK	ON	SETTING menu level access lock
		OFF	
	PERSONALITY	UNO	1-channel: dimmer
		DOS	2-channel: 16-bit dimmer
		STD.P	3-channel: 16-bit dimmer, strobe
	DMX ERROR	SAVE	Continues last command upon loss of DMX
		BLACK	Product blacks out upon loss of DMX signal
RESET	Pass code:	Resets product to factory defaults	
MODE SETTING	SELF	No DMX output from product in standalone	
	MAST	Sends DMX output in standalone mode	
PWM	600Hz	Sets the Pulse Width Modulation frequency	
	1200Hz		
	2000Hz		
	2400Hz		
	6000Hz		
	18000Hz		
	25000Hz		
VERSION	V__	Displays product firmware version	
INFO	RDM	UID -----	Displays product UID for RDM
		LABEL -----	Displays product label for RDM

Configuration (Standalone)

Use standalone configuration to operate the product without a DMX controller.

See [Dimmer Modes](#) for a description of the different run modes.

Static Mode

The Static mode allows for permanent dimmer and strobe presets without a DMX controller.

1. Go to the **STATIC** main level.
2. Set the dimmer value as desired (**0–100**).

Master/Slave

The Master/Slave mode allows a group of Ovation ED-200WW products (the slaves) to simultaneously duplicate the output of another Ovation ED-200WW (the master) without a DMX controller.

To set each of the slaves:

1. Go to the **RUNMODE** main level
2. Select **SLAVE**.

Set the master in **STATIC** mode.



- The master is the one that runs in **STATIC** mode.
- Do not connect a DMX controller to the products configured for Master/Slave operation. The DMX controller may interfere with signals from the master.
- The master should be the first product in the daisy chain.

Mode Setting

This option determines whether a product operating in Static mode will output master information through its DMX ports.

1. Go to the **SETTING** main level.
2. Select the **MODE SETTING** programming level.
3. Select **SELF** (no master/slave output) or **MAST** (outputs master information to slave products).

Operation

Configuration (Operating Settings)

Power Mode

The power mode determines the maximum brightness to match the output of the Ovation ED-200WW to that of either a 750 W or a 575 W incandescent lighting product.

1. Go to the **POWER MODE** main level
2. Select either **750W** or **575W**.

Dimmer Profiles

This setting determines how fast the output of the Ovation ED-200WW changes when you modify the output value.

1. Go to the **SETTING** main level.
2. Select the **DIMMER** programming level.
3. Select a dimmer speed (**OFF**, **DIM1**, **DIM2**, or **DIM3**).



OFF: The output is proportional (linear) to the dimmer channel value.

DIM1-3: The output follows the dimmer value based on the corresponding dimmer speed, **DIM1** being the fastest.

Note: Set to **DIM3** for optimum performance in **DMMR** mode.

Dimmer Curves

These options simulate the dimmer curve of an incandescent lighting product.

1. Go to the **SETTING** main level.
2. Select the **CURVE** programming level.
3. Select a dimmer curve (**OFF**, **CURVE1**, **CURVE2**, or **CURVE3**)



OFF: The output is proportional (linear) to the dimmer channel value.

CURVE1-3: The output follows the dimmer value based on the corresponding dimmer curve, **CURVE1** being the most direct.

Note: Set to **CURVE3** for optimum performance in **DMMR** mode.

Performance Mode

These options determine the method by which the Ovation ED-200WW maintains cooling.

1. Go to the **SETTING** main level.
2. Select the **PERFORM** programming level.
3. Select either **LIVE** (fans are used) or **STUDIO** (output power level is limited).

Factory Reset

This option restores the Ovation ED-200WW to factory default settings.

1. Go to the **SETTING** main level.
2. Select the **RESET** programming level.
3. Enter the pass code (<UP>, <DOWN>, <UP>, <DOWN>, <ENTER>).

LED Frequency

This option changes the Pulse Width Modulation (PWM) frequency of the LEDs on the Ovation ED-200WW.

1. Go to the **LED Frequency** main level.
2. Select PWM Frequency (**600Hz**, **1200Hz**, **2000Hz**, **4000Hz**, **6000Hz**, or **25Khz**).

System Information

This option displays the current firmware version and RDM UID and label.

1. Go to the **Information** main level.
2. Select **Version**, or **RDM**.

Configuration (DMX)

Use DMX configurations to operate the product with a DMX controller.

DMX Personalities

This setting allows you to choose a particular DMX personality.

1. Go to the **SETTING** main level.
2. Select the **PERSONALITY** programming level.
3. Select the desired personality (**UNO**, **DOS**, or **STD.P**).



- See the [DMX Address](#) section for the highest starting address you can select for each personality.
- Make sure that the starting addresses on the various products do not overlap due to the new personality setting.

DMX Address

In this mode, each product will respond to a unique starting address from the DMX controller. All products with the same starting address will respond in unison.

1. Select a DMX personality as shown in [DMX Personalities](#).
2. Set the starting address:
 - a. Go to **ADDRESS** main level.
 - b. Select the starting address (**001–512**).

The highest recommended starting address for each DMX mode is as follows:

DMX Personality	DMX Address
UNO	512
DOS	511
STD.P	510

DMX Error

These options determine what happens when DMX signal is lost or interrupted.

1. Go to the **SETTING** main level.
2. Select the **DMX ERROR** programming level.
3. Select either **SAVE** (holds the last received DMX input) or **BLACK** (blacks out the product).

DMX Values

STD.P

Channel	Function	Value	Percent/Setting
1	Dimmer	000 ⇔ 255	0–100%
2	Fine Dimmer	000 ⇔ 255	0–100%
3	Strobe	000 ⇔ 009	Open
		010 ⇔ 099	Strobe, slow to fast
		100 ⇔ 109	Open
		110 ⇔ 179	Lightning effect, slow to fast
		180 ⇔ 189	Open
		190 ⇔ 255	Random strobe, slow to fast

DOS

Channel	Function	Value	Percent/Setting
1	Dimmer	000 ⇔ 255	0–100%
2	Fine Dimmer	000 ⇔ 255	0–100%

UNO

Channel	Function	Value	Percent/Setting
1	Dimmer	000 ⇔ 255	0–100%

5. Technical Information

Product Maintenance

To maintain optimum performance and minimize wear, clean this product frequently. Usage and environment are contributing factors in determining the cleaning frequency.

Clean this product at least twice a month. Dust build-up reduces light output performance and can cause overheating. This can lead to reduced light source life and increased mechanical wear.

To clean the product:

1. Unplug the product from power.
2. Wait until the product is at room temperature.
3. Use a vacuum (or dry compressed air) and a soft brush to remove dust collected on the external vents.
4. Clean all transparent surfaces with a mild soap solution, ammonia-free glass cleaner, or isopropyl alcohol.
5. Apply the solution directly to a soft, lint free cotton cloth or a lens cleaning tissue.
6. Softly drag any dirt or grime to the outside of the transparent surface.
7. Gently polish the transparent surfaces until they are free of haze and lint.



Always dry the transparent surfaces carefully after cleaning them.

6. Technical Specifications

Dimensions and Weight

Length	Width	Height	Weight
21.5 in (545 mm)	15 in (380 mm)	15 in (380 mm)	17.6 lb (7.9 kg)

Note: Dimensions in inches rounded to the nearest decimal digit.

Power

Power Supply Type	Range	Voltage Selection
Switching (internal)	100 to 240 VAC, 50/60 Hz	Auto-ranging

Parameter	120 V, 60 Hz (750W)	230 V, 50 Hz (750W)	120 V, 60 Hz (575W)	230 V, 50 Hz (575W)
Consumption	250 W	254 W	198 W	202 W
Operating Current	2.074 A	1.103 A	1.637 A	0.876 A
Power linking current (products)	13.6 A (6 products)	13.6 A (12 products)	13.6 A (8 products)	13.6 A (15 products)
Fuse	T 6.3 A, 250 V	T 6.3 A, 250 V	T 6.3 A, 250 V	T 6.3 A, 250 V

Power I/O	U.S./Worldwide	UK/Europe
Power input connector	Neutrik® powerCON® A	Neutrik® powerCON® A
Power output connector	Neutrik® powerCON® B	Neutrik® powerCON® B
Power Cord plug	Edison (U.S.)	Local Plug

Light Source

Type	Color	Quantity	Power	Current	Lifespan
LED	Warm White	1	230 W	3.4 A	100,000 hours

Photometrics

Parameter	14° Lens	19° Lens	26° Lens	36° Lens	50° Lens	15°–30° Lens (Narrow/Wide)	25°–50° Lens (Narrow/Wide)		
Illuminance @ 5 m (750W)	15,092 lux	9,118 lux	6,028 lux	3,210 lux	1,445 lux	15,879 lux	5,232 lux	5,958 lux	2,283 lux
Illuminance @ 5 m (575W)	12,310 lux	7,410 lux	4,890 lux	2,646 lux	1,126 lux	12,492 lux	4,227 lux	4,820 lux	1,783 lux
Beam Angle	11°	15°	19°	25°	35°	11°	17°	19°	30°
Field Angle	14°	17°	25°	33°	50°	13°	28°	23°	41°

Thermal

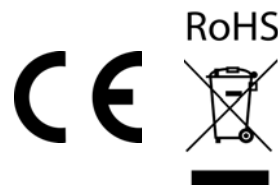
Maximum External Temperature	Cooling System
113 °F (45 °C)	Fan-assisted convection

DMX

I/O Connector	Channel Range
5-pin XLR	1, 2 or 3

Ordering

Product Name	Item Name	Item Code	UPC Number
Ovation ED-200WW	OVATIONED200WW	01121455	781462218034

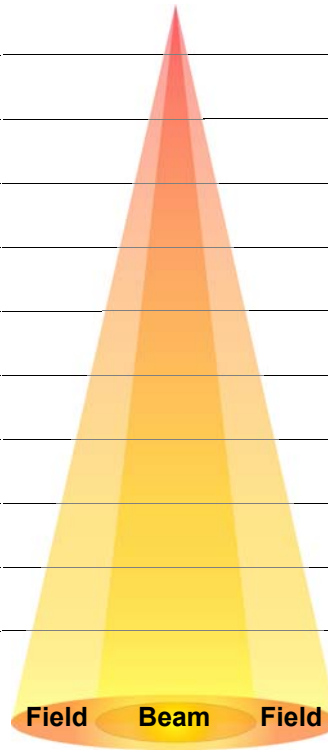


Technical Specifications

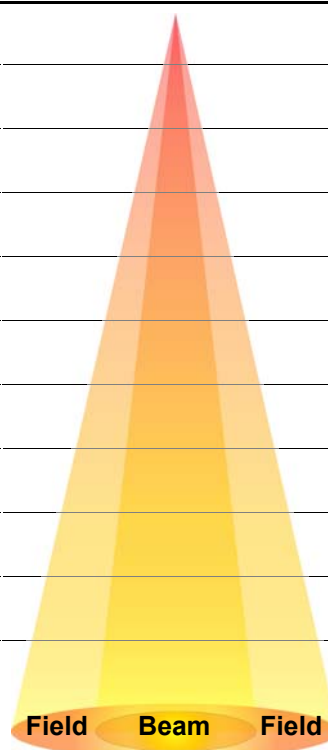
Photometric Charts

750 W

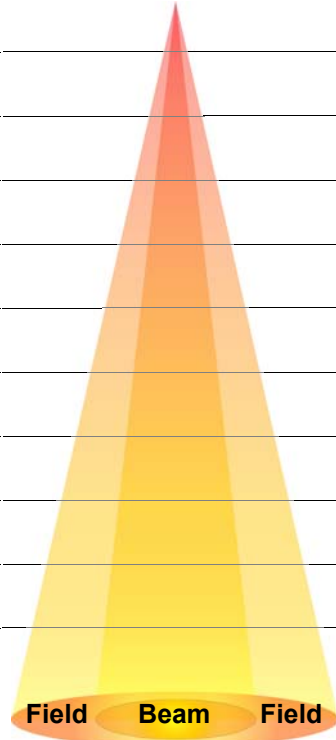
750 W	14° Lens (14°)		Ovation ED-200WW (Imperial)		19° Lens (17°)	
	Beam Diameter	Field Diameter	Footcandle	Footcandle	Beam Diameter	Field Diameter
15 ft	2.89 ft	3.68 ft	1,677	1,013	3.95 ft	4.48 ft
20 ft	3.85 ft	4.91 ft	943	570	5.27 ft	5.98 ft
30 ft	5.78 ft	7.37 ft	419	253	7.90 ft	8.97 ft
40 ft	7.70 ft	9.82 ft	236	142	10.53 ft	11.96 ft
50 ft	9.63 ft	12.28 ft	151	91	13.17 ft	14.95 ft
75 ft	14.44 ft	18.42 ft	67	41	19.75 ft	22.42 ft
100 ft	19.26 ft	24.56 ft	38	23	26.33 ft	29.89 ft
125 ft	24.07 ft	30.70 ft	24	15	32.91 ft	37.36 ft
150 ft	28.89 ft	36.84 ft	17	10	39.50 ft	44.84 ft



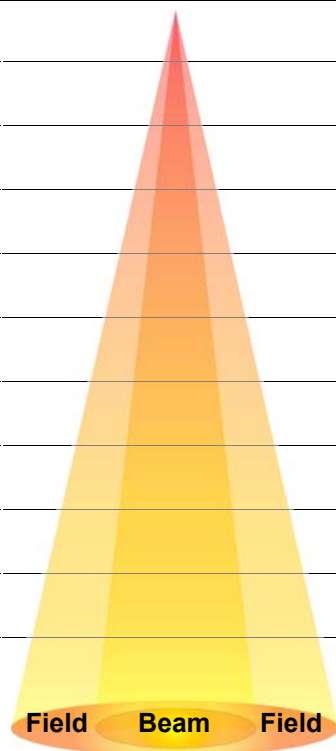
750 W	14° Lens (14°)		Ovation ED-200WW (Metric)		19° Lens (17°)	
	Beam Diameter	Field Diameter	Lux	Lux	Beam Diameter	Field Diameter
1 m	0.19 m	0.25 m	377,300	227,950	0.26 m	0.30 m
2 m	0.39 m	0.49 m	94,325	56,988	0.53 m	0.60 m
5 m	0.96 m	1.23 m	15,092	9,118	1.32 m	1.49 m
8 m	1.54 m	1.96 m	5,895	3,562	2.11 m	2.39 m
10 m	1.93 m	2.46 m	3,773	2,280	2.63 m	2.99 m
15 m	2.89 m	3.68 m	1,677	1,013	3.95 m	4.48 m
20 m	3.85 m	4.91 m	943	570	5.27 m	5.98 m
25 m	4.81 m	6.14 m	604	365	6.58 m	7.47 m
30 m	5.78 m	7.37 m	419	253	7.90 m	8.97 m



750 W	26° Lens (25°)		Ovation ED-200WW (Imperial)		36° Lens (33°)	
	Beam Diameter	Field Diameter	Footcandle	Footcandle	Beam Diameter	Field Diameter
15 ft	5.02 ft	6.65 ft	670	357	6.65 ft	8.89 ft
20 ft	6.69 ft	8.87 ft	377	201	8.87 ft	11.85 ft
30 ft	10.04 ft	13.30 ft	167	89	13.30 ft	17.77 ft
40 ft	13.39 ft	17.74 ft	94	50	17.74 ft	23.70 ft
50 ft	16.73 ft	22.17 ft	60	32	22.17 ft	29.62 ft
75 ft	25.10 ft	33.25 ft	27	14	33.25 ft	44.43 ft
100 ft	33.47 ft	44.34 ft	15	8	44.34 ft	59.24 ft
125 ft	41.84 ft	55.42 ft	10	5	55.42 ft	74.05 ft
150 ft	50.20 ft	66.51 ft	7	4	66.51 ft	88.86 ft

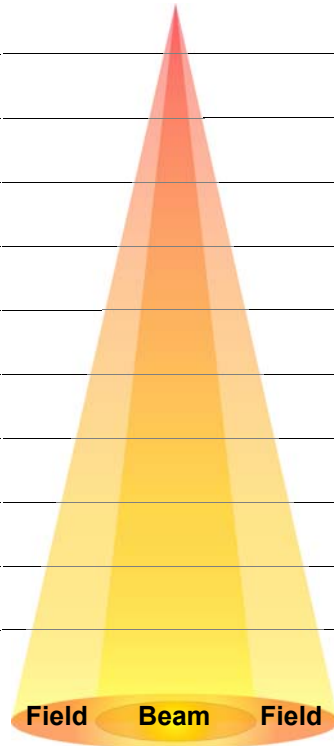


750 W	26° Lens (25°)		Ovation ED-200WW (Metric)		36° Lens (33°)	
	Beam Diameter	Field Diameter	Lux	Lux	Beam Diameter	Field Diameter
1 m	0.33 m	0.44 m	150,700	80,250	0.44 m	0.59 m
2 m	0.67 m	0.89 m	37,675	20,063	0.89 m	1.18 m
5 m	1.67 m	2.22 m	6,028	3,210	2.22 m	2.96 m
8 m	2.68 m	3.55 m	2,355	1,254	3.55 m	4.74 m
10 m	3.35 m	4.43 m	1,507	803	4.43 m	5.92 m
15 m	5.02 m	6.65 m	670	357	6.65 m	8.89 m
20 m	6.69 m	8.87 m	377	201	8.87 m	11.85 m
25 m	8.37 m	11.08 m	241	128	11.08 m	14.81 m
30 m	10.04 m	13.30 m	167	89	13.30 m	17.77 m

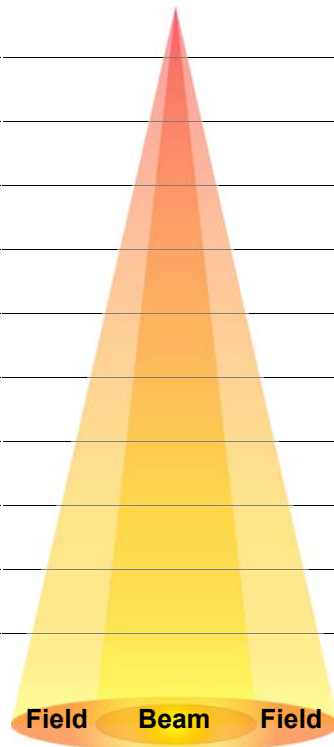


Technical Specifications

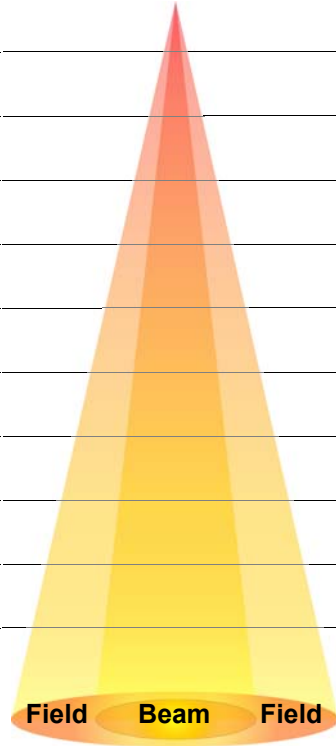
750 W	50° Lens (50°)		Ovation ED-200WW (Imperial)
	Beam Diameter	Field Diameter	Footcandle
15 ft	9.46 ft	13.99 ft	161
20 ft	12.61 ft	18.65 ft	90
30 ft	18.92 ft	27.98 ft	40
40 ft	25.22 ft	37.30 ft	23
50 ft	31.53 ft	46.63 ft	14
75 ft	47.29 ft	69.95 ft	6
100 ft	63.06 ft	93.26 ft	4
125 ft	78.82 ft	116.58 ft	2
150 ft	94.59 ft	139.89 ft	2



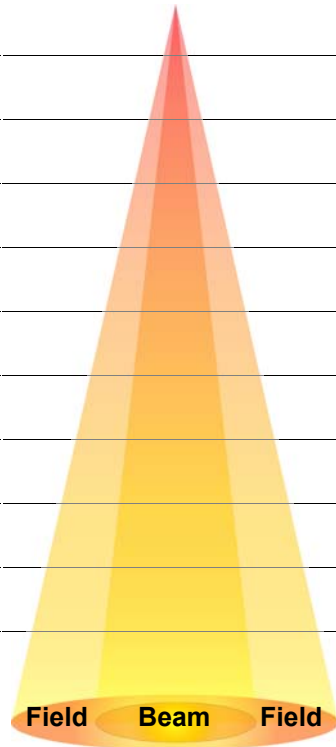
750 W	50° Lens (50°)		Ovation ED-200WW (Metric)
	Beam Diameter	Field Diameter	Lux
1 m	0.63 m	0.93 m	36,125
2 m	1.26 m	1.87 m	9,031
5 m	3.15 m	4.66 m	1,445
8 m	5.04 m	7.46 m	564
10 m	6.31 m	9.33 m	361
15 m	9.46 m	13.99 m	161
20 m	12.61 m	18.65 m	90
25 m	15.76 m	23.32 m	58
30 m	18.92 m	27.98 m	40



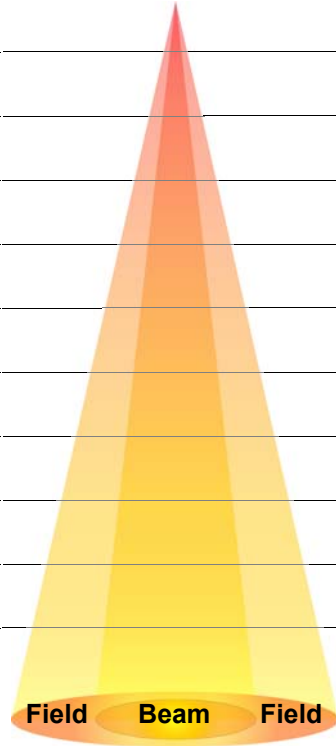
750 W	Narrow (13°)		Ovation ED-200WW (15–30° Lens [Imperial])		Wide (28°)	
	Beam Diameter	Field Diameter	Footcandle	Footcandle	Beam Diameter	Field Diameter
15 ft	2.89 ft	3.42 ft	1,764	581	4.48 ft	7.48 ft
20 ft	3.85 ft	4.56 ft	992	327	5.98 ft	9.97 ft
30 ft	5.78 ft	6.84 ft	441	8.97	14.96 ft	145 ft
40 ft	7.70 ft	9.11 ft	248	82	11.96 ft	19.95 ft
50 ft	9.63 ft	11.39 ft	159	52	14.95 ft	24.93 ft
75 ft	14.44 ft	17.09 ft	71	23	22.42 ft	37.40 ft
100 ft	19.26 ft	22.79 ft	40	13	29.89 ft	49.87 ft
125 ft	24.07 ft	28.48 ft	25	8	37.36 ft	62.33 ft
150 ft	28.89 ft	34.18 ft	18	6	44.84 ft	74.80 ft



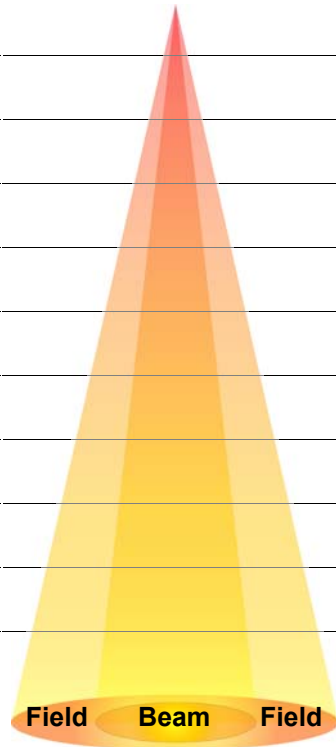
750 W	Narrow (13°)		Ovation ED-200WW (15–30° Lens [Metric])		Wide (28°)	
	Beam Diameter	Field Diameter	Lux	Lux	Beam Diameter	Field Diameter
1 m	0.19 m	0.23 m	396,975	130,800	0.30 m	0.50 m
2 m	0.39 m	0.46 m	99,244	32,700	0.60 m	1.00 m
5 m	0.96 m	1.14 m	15,879	5,232	1.49 m	2.49 m
8 m	1.54 m	1.82 m	6,203	2,044	2.39 m	3.99 m
10 m	1.93 m	2.28 m	3,970	1,308	2.99 m	4.99 m
15 m	2.89 m	3.42 m	1,764	581	4.48 m	7.48 m
20 m	3.85 m	4.56 m	992	327	5.98 m	9.97 m
25 m	4.81 m	5.70 m	635	209	7.47 m	12.47 m
30 m	5.78 m	6.84 m	441	145	8.97 m	14.96 m



750 W	Narrow (23°)		Ovation ED-200WW (25–50° Lens [Imperial])		Wide (41°)	
	Beam Diameter	Field Diameter	Footcandle	Footcandle	Beam Diameter	Field Diameter
15 ft	5.02 ft	6.10 ft	662	254	8.04 ft	11.22 ft
20 ft	6.69 ft	8.14 ft	372	143	10.72 ft	14.96 ft
30 ft	10.04 ft	12.21 ft	166	63	16.08 ft	22.43 ft
40 ft	13.39 ft	16.28 ft	93	36	21.44 ft	29.91 ft
50 ft	16.73 ft	20.35 ft	60	23	26.79 ft	37.39 ft
75 ft	25.10 ft	30.52 ft	26	10	40.19 ft	56.08 ft
100 ft	33.47 ft	40.69 ft	15	6	53.59 ft	74.78 ft
125 ft	41.84 ft	50.86 ft	10	4	66.99 ft	93.47 ft
150 ft	50.20 ft	61.04 ft	7	3	80.38 ft	112.17 ft

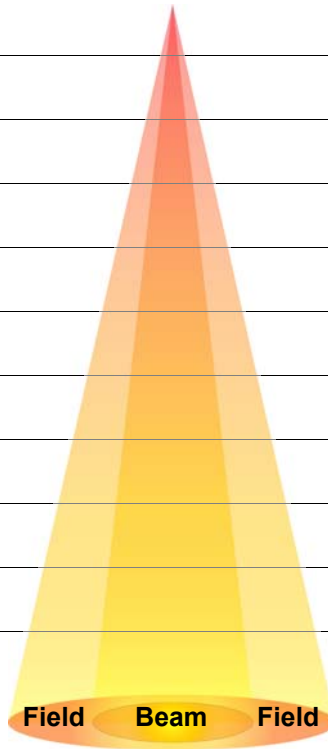


750 W	Narrow (23°)		Ovation ED-200WW (25–50° Lens [Metric])		Wide (41°)	
	Beam Diameter	Field Diameter	Lux	Lux	Beam Diameter	Field Diameter
1 m	0.33 m	0.41 m	148,950	57,075	0.54 m	0.75 m
2 m	0.67 m	0.81 m	37,238	14,269	1.07 m	1.50 m
5 m	1.67 m	2.03 m	5,958	2,283	2.68 m	3.74 m
8 m	2.68 m	3.26 m	2,327	892	4.29 m	5.98 m
10 m	3.35 m	4.07 m	1,490	571	5.36 m	7.48 m
15 m	5.02 m	6.10 m	662	254	8.04 m	11.22 m
20 m	6.69 m	8.14 m	372	143	10.72 m	14.96 m
25 m	8.37 m	10.17 m	238	91	13.40 m	18.69 m
30 m	10.04 m	12.21 m	166	63	16.08 m	22.43 m

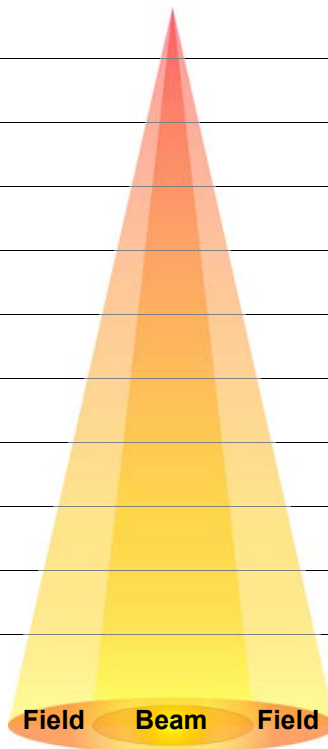


575 W

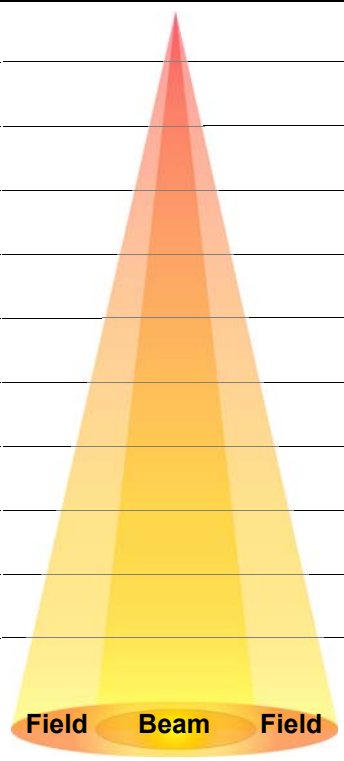
575 W	14° Lens (14°)		Ovation ED-200WW (Imperial)		19° Lens (17°)	
	Beam Diameter	Field Diameter	Footcandle	Footcandle	Beam Diameter	Field Diameter
15 ft	2.89 ft	3.68 ft	1,368	823	3.95 ft	4.48 ft
20 ft	3.85 ft	4.91 ft	769	463	5.27 ft	5.98 ft
30 ft	5.78 ft	7.37 ft	342	206	7.90 ft	8.97 ft
40 ft	7.70 ft	9.82 ft	192	116	10.53 ft	11.96 ft
50 ft	9.63 ft	12.28 ft	123	74	13.17 ft	14.95 ft
75 ft	14.44 ft	18.42 ft	55	33	19.75 ft	22.42 ft
100 ft	19.26 ft	24.56 ft	31	19	26.33 ft	29.89 ft
125 ft	24.07 ft	30.70 ft	20	12	32.91 ft	37.36 ft
150 ft	28.89 ft	36.84 ft	14	8	39.50 ft	44.84 ft



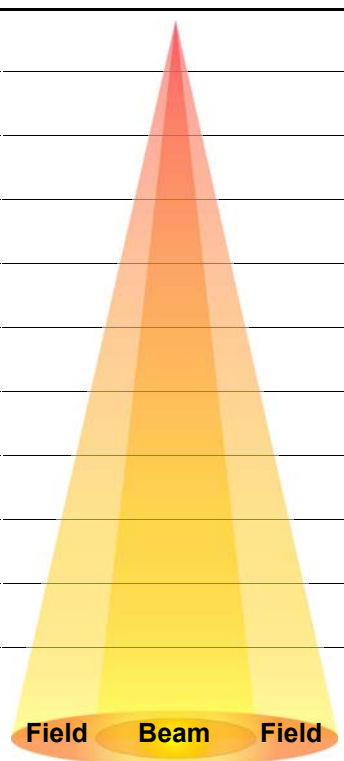
575 W	14° Lens (14°)		Ovation ED-200WW (Metric)		19° Lens (17°)	
	Beam Diameter	Field Diameter	Lux	Lux	Beam Diameter	Field Diameter
1 m	0.19 m	0.25 m	307,750	185,250	0.26 m	0.30 m
2 m	0.39 m	0.49 m	76,938	46,313	0.53 m	0.60 m
5 m	0.96 m	1.23 m	12,310	7,410	1.32 m	1.49 m
8 m	1.54 m	1.96 m	4,809	2,895	2.11 m	2.39 m
10 m	1.93 m	2.46 m	3,078	1,853	2.63 m	2.99 m
15 m	2.89 m	3.68 m	1,368	823	3.95 m	4.48 m
20 m	3.85 m	4.91 m	769	463	5.27 m	5.98 m
25 m	4.81 m	6.14 m	492	296	6.58 m	7.47 m
30 m	5.78 m	7.37 m	342	206	7.90 m	8.97 m



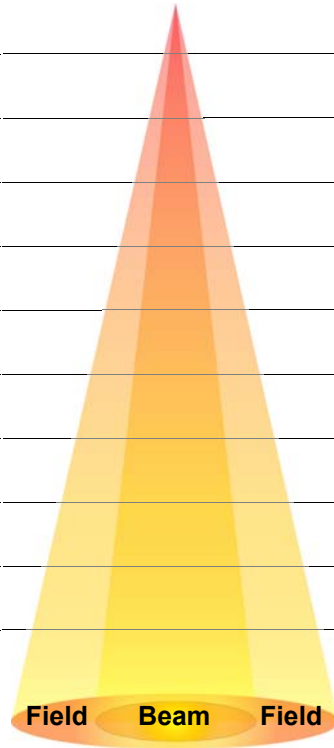
575 W	26° Lens (25°)		Ovation ED-200WW (Imperial)		36° Lens (33°)	
	Beam Diameter	Field Diameter	Footcandle	Footcandle	Beam Diameter	Field Diameter
15 ft	5.02 ft	6.65 ft	543	294	6.65 ft	8.89 ft
20 ft	6.69 ft	8.87 ft	306	165	8.87 ft	11.85 ft
30 ft	10.04 ft	13.30 ft	136	74	13.30 ft	17.77 ft
40 ft	13.39 ft	17.74 ft	76	41	17.74 ft	23.70 ft
50 ft	16.73 ft	22.17 ft	49	26	22.17 ft	29.62 ft
75 ft	25.10 ft	33.25 ft	22	12	33.25 ft	44.43 ft
100 ft	33.47 ft	44.34 ft	12	7	44.34 ft	59.24 ft
125 ft	41.84 ft	55.42 ft	8	4	55.42 ft	74.05 ft
150 ft	50.20 ft	66.51 ft	5	3	66.51 ft	88.86 ft



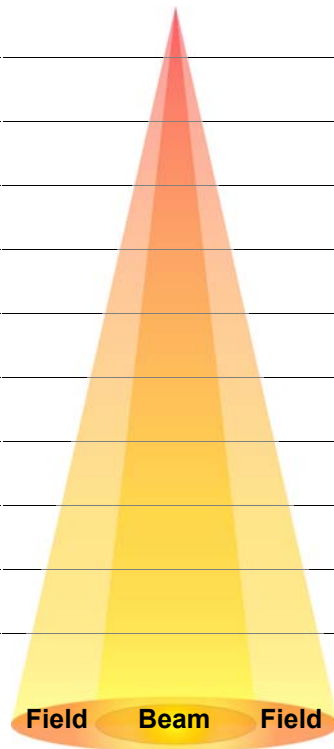
575 W	26° Lens (25°)		Ovation ED-200WW (Metric)		36° Lens (33°)	
	Beam Diameter	Field Diameter	Lux	Lux	Beam Diameter	Field Diameter
1 m	0.33 m	0.44 m	122,250	66,150	0.44 m	0.59 m
2 m	0.67 m	0.89 m	30,563	16,538	0.89 m	1.18 m
5 m	1.67 m	2.22 m	4,890	2,646	2.22 m	2.96 m
8 m	2.68 m	3.55 m	1,910	1,034	3.55 m	4.74 m
10 m	3.35 m	4.43 m	1,223	662	4.43 m	5.92 m
15 m	5.02 m	6.65 m	543	294	6.65 m	8.89 m
20 m	6.69 m	8.87 m	306	165	8.87 m	11.85 m
25 m	8.37 m	11.08 m	196	106	11.08 m	14.81 m
30 m	10.04 m	13.30 m	136	74	13.30 m	17.77 m



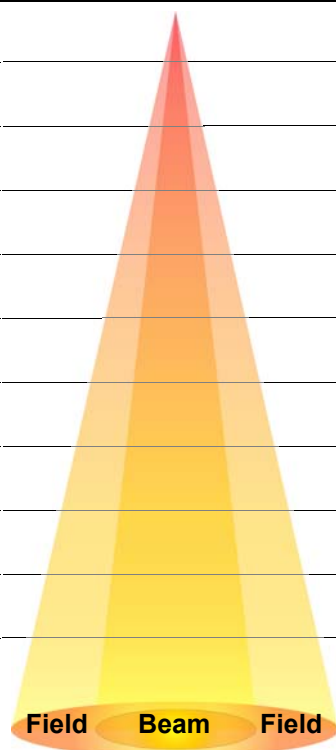
575 W	50° Lens (50°)		Ovation ED-200WW (Imperial)
Distance	Beam Diameter	Field Diameter	Footcandle
15 ft	9.46 ft	13.99 ft	125
20 ft	12.61 ft	18.65 ft	70
30 ft	18.92 ft	27.98 ft	31
40 ft	25.22 ft	37.30 ft	18
50 ft	31.53 ft	46.63 ft	11
75 ft	47.29 ft	69.95 ft	5
100 ft	63.06 ft	93.26 ft	3
125 ft	78.82 ft	116.58 ft	2
150 ft	94.59 ft	139.89 ft	1



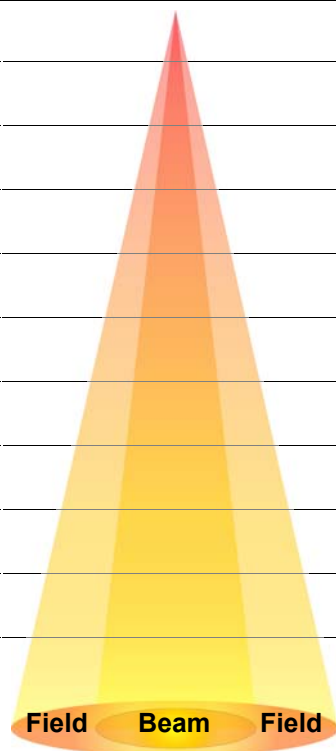
575 W	50° Lens (50°)		Ovation ED-200WW (Metric)
Distance	Beam Diameter	Field Diameter	Lux
1 m	0.63 m	0.93 m	28,150
2 m	1.26 m	1.87 m	7,038
5 m	3.15 m	4.66 m	1,126
8 m	5.04 m	7.46 m	440
10 m	6.31 m	9.33 m	282
15 m	9.46 m	13.99 m	125
20 m	12.61 m	18.65 m	70
25 m	15.76 m	23.32 m	45
30 m	18.92 m	27.98 m	31



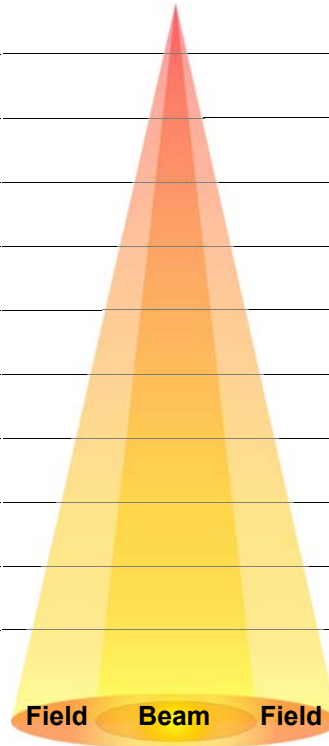
575 W	Narrow (13°)		Ovation ED-200WW (15–30° Lens [Imperial])		Wide (28°)	
	Beam Diameter	Field Diameter	Footcandle	Footcandle	Beam Diameter	Field Diameter
15 ft	2.89 ft	3.42 ft	1,388	470	4.48 ft	7.48 ft
20 ft	3.85 ft	4.56 ft	781	264	5.98 ft	9.97 ft
30 ft	5.78 ft	6.84 ft	347	117	8.97 ft	14.96 ft
40 ft	7.70 ft	9.11 ft	195	66	11.96 ft	19.95 ft
50 ft	9.63 ft	11.39 ft	125	42	14.95 ft	24.93 ft
75 ft	14.44 ft	17.09 ft	56	19	22.42 ft	37.40 ft
100 ft	19.26 ft	22.79 ft	31	11	29.89 ft	49.87 ft
125 ft	24.07 ft	28.48 ft	20	7	37.36 ft	62.33 ft
150 ft	28.89 ft	34.18 ft	14	5	44.84 ft	74.80 ft



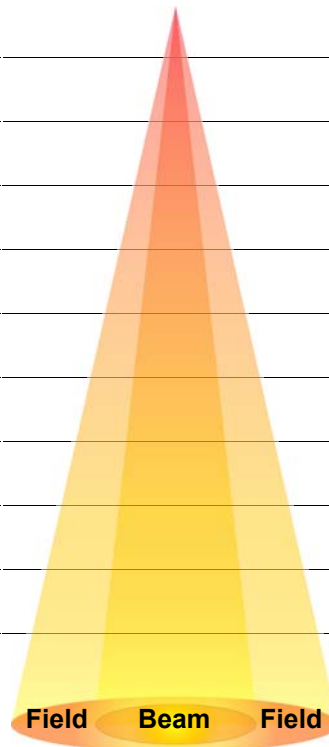
575 W	Narrow (13°)		Ovation ED-200WW (15–30° Lens [Metric])		Wide (28°)	
	Beam Diameter	Field Diameter	Lux	Lux	Beam Diameter	Field Diameter
1 m	0.19 m	0.23 m	312,300	105,675	0.30 m	0.50 m
2 m	0.39 m	0.46 m	78,075	26,419	0.60 m	1.00 m
5 m	0.96 m	1.14 m	12,492	4,227	1.49 m	2.49 m
8 m	1.54 m	1.82 m	4,880	1,651	2.39 m	3.99 m
10 m	1.93 m	2.28 m	3,123	1,057	2.99 m	4.99 m
15 m	2.89 m	3.42 m	1,388	470	4.48 m	7.48 m
20 m	3.85 m	4.56 m	781	264	5.98 m	9.97 m
25 m	4.81 m	5.70 m	500	169	7.47 m	12.47 m
30 m	5.78 m	6.84 m	347	117	8.97 m	14.96 m



575 W	Narrow (23°)		Ovation ED-200WW (25–50° Lens [Imperial])		Wide (41°)	
	Beam Diameter	Field Diameter	Footcandle	Footcandle	Beam Diameter	Field Diameter
15 ft	5.02 ft	6.10 ft	536	198	8.04 ft	11.22 ft
20 ft	6.69 ft	8.14 ft	301	111	10.72 ft	14.96 ft
30 ft	10.04 ft	12.21 ft	134	50	16.08 ft	22.43 ft
40 ft	13.39 ft	16.28 ft	75	28	21.44 ft	29.91 ft
50 ft	16.73 ft	20.35 ft	48	18	26.79 ft	37.39 ft
75 ft	25.10 ft	30.52 ft	21	8	40.19 ft	56.08 ft
100 ft	33.47 ft	40.69 ft	12	4	53.59 ft	74.78 ft
125 ft	41.84 ft	50.86 ft	8	3	66.99 ft	93.47 ft
150 ft	50.20 ft	61.04 ft	5	2	80.38 ft	112.17 ft



575 W	Narrow (23°)		Ovation ED-200WW (25–50° Lens [Metric])		Wide (41°)	
	Beam Diameter	Field Diameter	Lux	Lux	Beam Diameter	Field Diameter
1 m	0.33 m	0.41 m	120,500	44,575	0.54 m	0.75 m
2 m	0.67 m	0.81 m	30,125	11,144	1.07 m	1.50 m
5 m	1.67 m	2.03 m	4,820	1,783	2.68 m	3.74 m
8 m	2.68 m	3.26 m	1,883	696	4.29 m	5.98 m
10 m	3.35 m	4.07 m	1,205	446	5.36 m	7.48 m
15 m	5.02 m	6.10 m	536	198	8.04 m	11.22 m
20 m	6.69 m	8.14 m	301	111	10.72 m	14.96 m
25 m	8.37 m	10.17 m	193	71	13.40 m	18.69 m
30 m	10.04 m	12.21 m	134	50	16.08 m	22.43 m



Returns

Returns

Send the product prepaid, in the original box, and with the original packing and accessories. Chauvet will not issue call tags.

Call Chauvet and request a Return Merchandise Authorization (RMA) number before shipping the product. Be prepared to provide the model number, serial number, and a brief description of the cause(s) for the return.

To submit a service request online, go to www.chauvetprofessional.com/service-request.

Clearly label the package with an RMA number. Chauvet will refuse any product returned without an RMA number.



Write the RMA number on a properly affixed label. DO NOT write the RMA number directly on the box.

Once you have the RMA number, provide the following information on a piece of paper and place it inside the box:

- Your name
- Your address
- Your phone number
- RMA number
- A brief description of the problem

Be sure to pack the product properly. Any shipping damage resulting from inadequate packaging will be your responsibility. FedEx packing or double-boxing are recommended.



Chauvet reserves the right to use its own discretion to repair or replace returned product(s).

Contact Us

World Headquarters	
General Information	Technical Support
Address: 5200 NW 108th Ave. Sunrise, FL 33351 Voice: (954) 577-4455 Fax: (954) 929-5560 Toll Free: (800) 762-1084	Voice: (844) 393-7575 Fax: (954) 756-8015 Email: chauvetcs@chauvetlighting.com
	Website www.chauvetprofessional.com
EUROPE	
General Information	Technical Support
Address: Stokstraat 18 9770 Kruishoutem Belgium Voice: +32 9 388 93 97	Email: eutech@chauvetlighting.eu
	Website www.chauvetprofessional.eu
General Information	Technical Support
Address: Unit 1C Brookhill Road Industrial Estate Pinxton, Nottingham, UK NG16 6NT Voice: +44 (0) 1773 511115 Fax: +44 (0) 1773 511110	Email: uktech@chauvetlighting.com
	Website www.chauvetprofessional.eu
MEXICO	
General Information	Technical Support
Address: Av. de las Partidas 34 - 3B (Entrance by Calle 2) Zona Industrial Lerma Lerma, Edo. de México, CP 52000 Voice: +52 (728) 690-2010	Email: servicio@chauvet.com.mx
	Website www.chauvetprofessional.mx

Visit the applicable website above to verify our contact information and instructions to request support. Outside the U.S., United Kingdom, Ireland, Mexico or Benelux, contact the dealer of record.