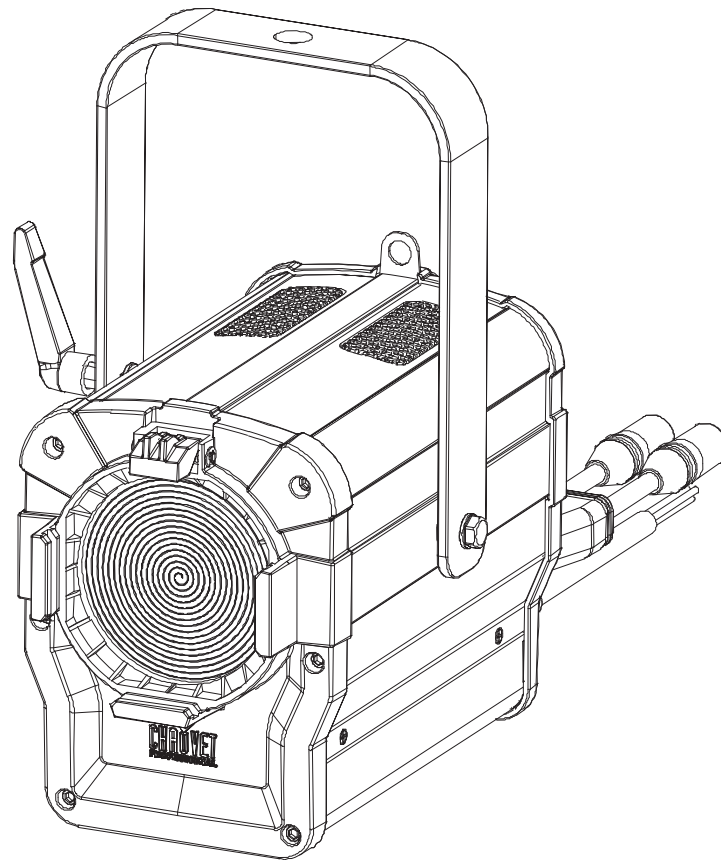


OVATION

F-55WW

User Manual




CHAUVET
PROFESSIONAL

Edition Notes

The Ovation F-55WW User Manual includes a description, safety precautions, installation, programming, operation and maintenance instructions for the Ovation F-55WW as of the release date of this edition.

Trademarks

CHAUVET, the Chauvet logo and Ovation F-55WW are registered trademarks or trademarks of Chauvet & Sons, LLC (d/b/a Chauvet and Chauvet Lighting) in the United States and other countries. Other company and product names and logos referred to herein may be trademarks of their respective companies.

Copyright Notice

The works of authorship contained in this manual, including, but not limited to, all design, text and images are owned by Chauvet.

© **Copyright 2018 Chauvet & Sons, LLC. All rights reserved.**

Electronically published by Chauvet in the United States of America.

Manual Use

Chauvet authorizes its customers to download and print this manual for professional information purposes only. Chauvet expressly prohibits the usage, copy, storage, distribution, modification, or printing of this manual or its content for any other purpose without written consent from Chauvet.

Document Printing

For best results, print this document in color, on letter size paper (8.5 x 11 in), double-sided. If using A4 paper (210 x 297 mm), configure the printer to scale the content accordingly.

Intended Audience

Any person installing, operating, and/or maintaining this product should completely read through the guide that shipped with the product, as well as this manual, before installing, operating, or maintaining this product.

Disclaimer

Chauvet believes that the information contained in this manual is accurate in all respects. However, Chauvet assumes no responsibility and specifically disclaims any and all liability to any party for any loss, damage or disruption caused by any errors or omissions in this document, whether such errors or omissions result from negligence, accident or any other cause. Chauvet reserves the right to revise the content of this document without any obligation to notify any person or company of such revision, however, Chauvet has no obligation to make, and does not commit to make, any such revisions. Download the latest version from www.chauvetprofessional.com.

Document Revision

This Ovation F-55WW User Manual is the 1st edition of this document. Go to www.chauvetprofessional.com for the latest version.

TABLE OF CONTENTS

- 1. Before You Begin** 1
 - What Is Included 1
 - Claims 1
 - Manual Conventions 1
 - Symbols 1
 - Safety Notes..... 2
 - Personal Safety..... 2
 - Mounting and Rigging 2
 - Power and Wiring..... 2
 - Operation 2
 - Expected LED Lifespan..... 2
- 2. Introduction** 3
 - Description 3
 - Operating modes:..... 3
 - Product Overview 3
 - Product Dimensions 4
- 3. Setup** 5
 - AC Power 5
 - AC Plug..... 5
 - DMX Linking..... 5
 - DMX Personalities..... 5
 - Remote Device Management (RDM)..... 5
 - Mounting 6
 - Orientation..... 6
 - Rigging..... 6
 - Procedure..... 6
- 4. Operation** 7
 - Control Panel Operation..... 7
 - Control Options 7
 - Programming..... 7
 - Menu Map 7
 - Configuration (DMX) 8
 - Control Personalities 8
 - Starting Address..... 8
 - DMX Values 9
 - 5Ch..... 9
 - 2Ch..... 9
 - 1Ch..... 9
 - Configuration (Standalone) 9
 - Static Mode 9
 - Auto Programs 9
 - Master/Slave 9
 - Dimmer Profiles..... 10
 - LED Frequency 10
 - Back Light 10
 - System Information 10
 - Factory Reset..... 10
- 5. Technical Information** 11
 - Product Maintenance 11
- 6. Technical Specifications** 12
 - Photometrics Charts..... 13

7. Returns	14
8. Contact Us	15

1. Before You Begin

What Is Included

- Ovation F-55WW
- Gel Frame
- Warranty Card
- Quick Reference Guide

Claims

Carefully unpack the product immediately and check the container to make sure all the parts are in the package and are in good condition.





If the box or the contents (the product and included accessories) appear damaged from shipping, or show signs of mishandling, notify the carrier immediately, not Chauvet. Failure to report damage to the carrier immediately may invalidate your claim. In addition, keep the box and contents for inspection.

For other issues, such as missing components or parts, damage not related to shipping, or concealed damage, file a claim with Chauvet within 7 days of delivery.

Manual Conventions

Convention	Meaning
1–512	A range of values
50/60	A set of values of which only one can be chosen
<SET>	A button on the product’s control panel
Settings	A product function or a menu option

Symbols

Symbol	Meaning
	Electrical warning. Not following these instructions may cause electrical damage to the product, accessories, or the user.
	Critical installation, configuration, or operation information. Not following these instructions may make the product not work, cause damage to the product, or cause harm to the operator.
	Important installation or configuration information. The product may not function correctly if this information is not used.
	Useful information.



The term “DMX” used throughout this manual refers to the USITT DMX512-A digital data transmission protocol.

Safety Notes

Read all the following safety notes before working with this product. These notes contain important information about the installation, usage, and maintenance of this product.



This product contains no user-serviceable parts. Any reference to servicing in this User Manual will only apply to properly trained, certified technicians. Do not open the housing or attempt any repairs.



All applicable local codes and regulations apply to proper installation of this product.

Personal Safety

- Avoid direct eye exposure to the light source while the product is on.
- Always disconnect the product from the power source before cleaning or replacing the fuse.
- Always connect the product to a grounded circuit to avoid the risk of electrocution.
- Do not touch the product's housing when operating because it may be very hot.

Mounting and Rigging

- This product is not intended for permanent installation.
- This product is for indoor use only! To prevent risk of fire or shock, do not expose this product to rain or moisture. (IP20)
- CAUTION: When transferring product from extreme temperature environments, (e.g. cold truck to warm humid ballroom) condensation may form on the internal electronics of the product. To avoid causing a failure, allow product to fully acclimate to the surrounding environment before connecting it to power.
- Mount this product in a location with adequate ventilation, at least 20 in (50 cm) from adjacent surfaces.
- Make sure there are no flammable materials close to this product while it is operating.
- When hanging this product, always secure to a fastening device using a safety cable.
- Never carry the product by the power cord.

Power and Wiring

- Make sure the power cord is not crimped or damaged.
- Always make sure you are connecting this product to the proper voltage in accordance with the specifications in this manual or on the product's specification label.
- To eliminate unnecessary wear and improve its lifespan, during periods of non-use completely disconnect the product from power via breaker or by unplugging it.
- Never connect this product to a dimmer pack or rheostat.
- Make sure to replace the fuse with another of the same type and rating.
- Never disconnect this product by pulling or tugging on the power cable.

Operation

- Do not operate this product if there is damage on the housing, lenses, or cables. Have the damaged parts replaced by an authorized technician at once.
- Do not cover the ventilation slots when operating to avoid internal overheating.
- The maximum ambient temperature is 113 °F (45 °C). Do not operate the product at higher temperatures.
- In the event of a serious operation problem, stop using this product immediately!



If your Chauvet product requires service, contact Chauvet Technical Support.

Expected LED Lifespan

LEDs gradually decline in brightness over time, primarily because of heat. LEDs that are arranged in clusters experience higher operating temperatures than single LEDs. For this reason, operating clustered LEDs at their fullest intensity significantly reduces the LEDs' lifespan. Under normal conditions, this lifespan is 40,000 to 50,000 hours. If extending this lifespan is vital, lower the operating temperature by improving the ventilation around the product, thus reducing the ambient temperature. In addition, limiting the overall projection intensity may extend the LEDs' lifespan.

2. Introduction

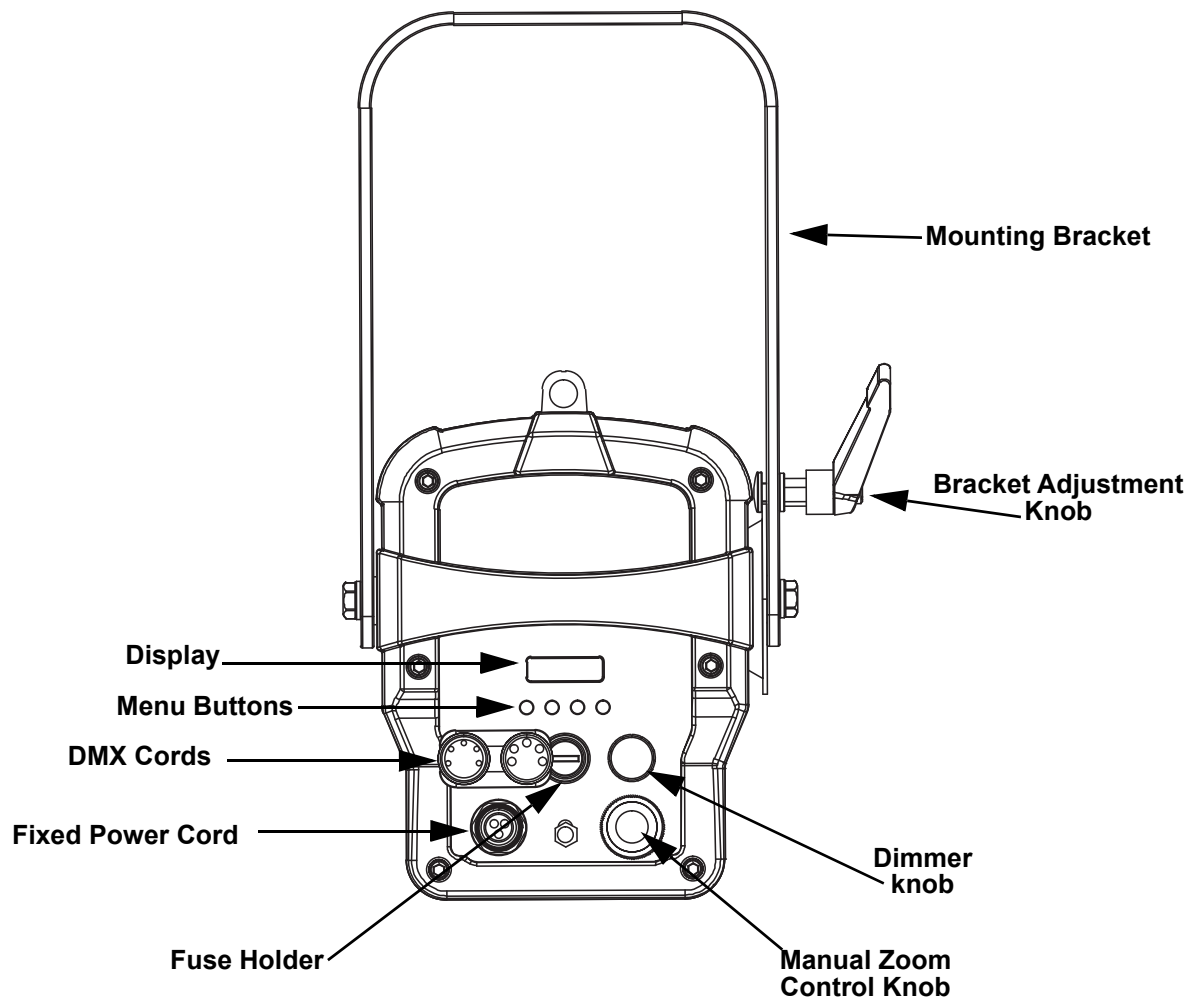
Description

The Ovation F-55WW is a warm white LED (3- inch) inkie Fresnel-style fixture ideal for short throw applications in television studios and theatres. It projects a bright, soft field of light within a 30°- 69° field angle controlled by a manual zoom.

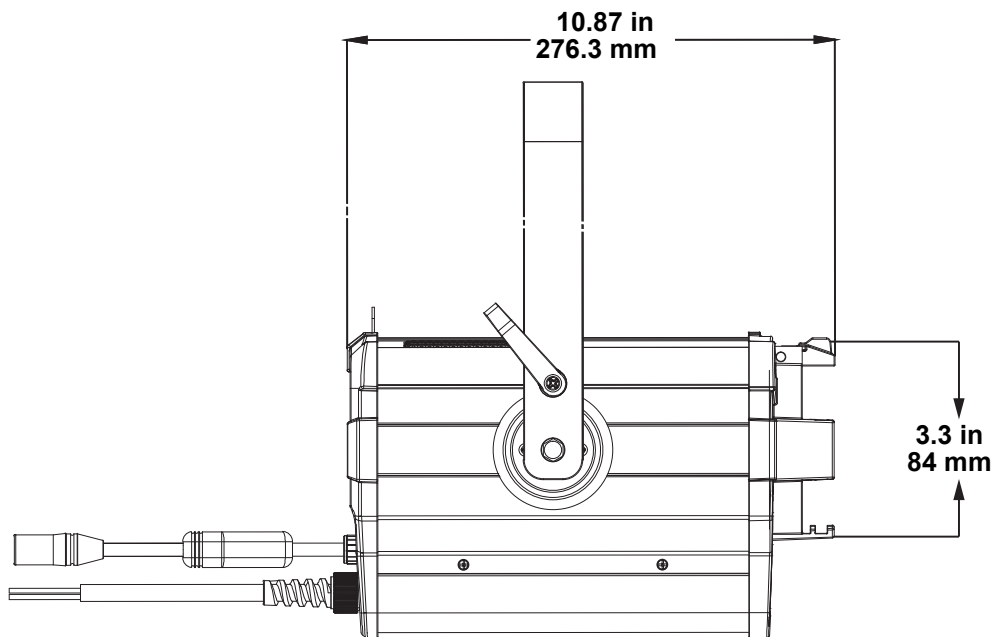
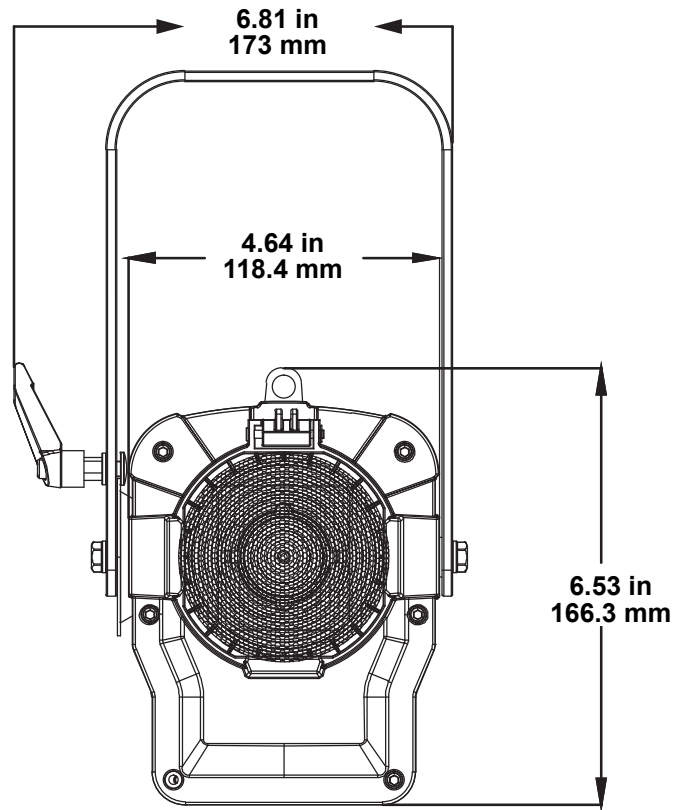
Operating modes:

- 1Ch: dimmer
- 2Ch: dimmer, strobe
- 5Ch: dimmer, strobe, auto programs, auto speed, dimmer speed

Product Overview



Product Dimensions



Setup

3. Setup

AC Power

Each Ovation F-55WW This product has an auto-ranging power supply that can work with an input voltage range of 100–240 VAC, 50/60 Hz.



- **Always connect the product to a protected circuit (circuit breaker or fuse). Make sure the product has an appropriate electrical ground to avoid the risk of electrocution or fire.**
- **To eliminate unnecessary wear and improve its lifespan, during periods of non-use completely disconnect the product from power via breaker or by unplugging it.**



Never connect the product to a rheostat (variable resistor) or dimmer circuit, even if the rheostat or dimmer channel serves only as a 0 to 100% switch.

AC Plug

Connection	Wire (U.S.)	Wire (Europe)	Screw Color
AC Live	Black	Brown	Yellow or Brass
AC Neutral	White	Blue	Silver
AC Ground	Green/Yellow	Green/Yellow	Green

DMX Linking

The Ovation F-55WW will work with a DMX controller using a 5-pin DMX serial connection. A DMX Primer is available from www.chauvetprofessional.com.

DMX Personalities

The Ovation F-55FC uses a 5-pin DMX for its DMX personalities: 1, 2, or 5. Refer to the [Introduction](#) chapter for a brief description of each DMX personality.

- Refer to the [Operation](#) chapter to learn how to configure the Ovation F-55WW to work in these personalities.
- The [DMX Values](#) section provides detailed information regarding the control personalities.



If you are not familiar with or need more information about DMX standards, Master/ Slave connectivity, or the DMX cables needed to link this product to a DMX controller, download the DMX Primer from the Chauvet website: www.chauvetprofessional.com.

Remote Device Management (RDM)

Remote Device Management, or RDM, is a standard for allowing DMX-enabled devices to communicate bi-directionally along existing DMX cabling. Check the DMX controller's User Manual or with the manufacturer as not all DMX controllers have this capability. The Ovation F-55WW supports RDM protocol that allows feedback to make changes to menu map options.



- **The [Operation](#) section of this manual provides detailed instructions on how to configure the master and slaves.**
- **If you are not familiar with or need more information about DMX standards, or the DMX cables needed to link this product to a DMX controller, download the DMX Primer from the Chauvet website: www.chauvetprofessional.com.**

Mounting

Before mounting the product, read and follow the safety recommendations indicated in the Safety Notes. For our CHAUVET Professional line of mounting clamps, go to <http://trusst.com/products/>.

Orientation

Always mount this product in a safe position, making sure there is adequate room for ventilation, configuration, and maintenance.

Rigging

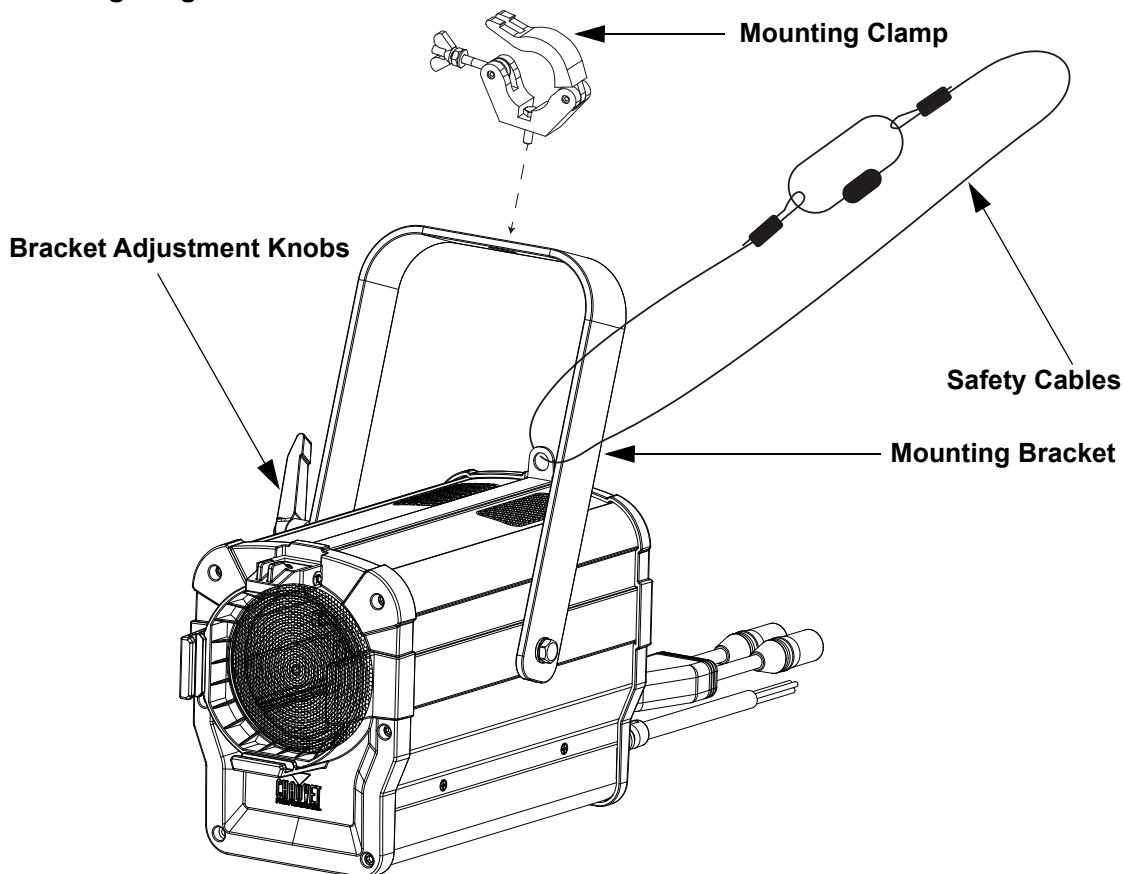
Chauvet recommends using the following general guidelines when mounting this product.

- Before deciding on a location for the product, make sure there is easy access to the product for maintenance and programming purposes.
- Make sure that the structure onto which you are mounting the product can support the product's weight. See the [Technical Specifications](#) for weight information.
- When mounting the product overhead, always use a safety cable. Mount the product securely to a rigging point, whether an elevated platform or a truss.
- When rigging the product onto a truss, use a mounting clamp of appropriate weight capacity.
- When power linking multiple products, mount the products close enough for power linking cables to reach.
- The bracket adjustment knobs allow for directional adjustment when aiming the product to the desired angle. Only loosen or tighten the bracket knobs manually. Using tools could damage the knobs.

Procedure

The Ovation F-55WW comes with a bracket to which you can attach a mounting clamp directly. You must supply the mounting clamps. Make sure the clamps are capable of supporting the weight of this product. Use at least one mounting point per product. For the CHAUVET Professional line of mounting clamps, go to <http://www.trusst.com/products>.

Mounting Diagram



4. Operation

Control Panel Operation

Button	Function
<MENU>	Exits from the current menu or function
<UP>	Navigates upward through the menu list or increases the numeric value when in a function
<DOWN>	Navigates downward through the menu list or decreases the numeric value when in a function
<ENTER>	Enables the currently displayed menu or sets the currently selected value in to the current function
Knob 1	Push then turn to increase or decrease the dimmer
Knob 2	Push then turn to increase or decrease the zoom

Control Options

Set the Ovation F-55WW starting address in the 001–512 DMX range. This enables control of up to **102** products in the **5-channel** personality.

Programming

Refer to the Menu Map to understand the menu options. The menu map shows the main level and a variable number of programming levels for each option.

- To go to the desired main level, press <MENU> repeatedly until the option shows on the display. Press <ENTER> to select. This will take you to the first programming level for that option.
- To select an option or value within the current programming level, press <UP> or <DOWN> until the option shows on the display. Press <ENTER> to select. In this case, if there is another programming level, you will see that first option, or you will see the selected value.
- Press <MENU> repeatedly to exit to the previous main level.

Menu Map

Main Level	Programming Levels		Description
DMX Address	Address	001–508	Selects starting address (*highest channel restricted to personality chosen)
DMX Channel	1CH		1-channel: Dimmer
	2CH		2-channel: Dimmer, strobe
	5CH		5-channel: Dimmer, Strobe, Auto programs, Auto speed, Dimmer speed.
Static	Dimmer	000-255	Controls intensity
	Strobe		Controls strobe rate
Master/Slave	Master		Master mode
	Slave		Slave mode
Dimmer Mode	Off		Linear dimmer
	Dimmer 1		Fast dimmer curve
	Dimmer 2		Medium dimmer curve
	Dimmer 3		Slow dimmer curve
Back Light	On		Display back light always on
	10s		Turns off display backlight after 10 sec of inactivity
	20s		Turns off display backlight after 20 sec of inactivity
	30s		Turns off display backlight after 30 sec of inactivity
LED Frequency	600Hz		Selects the PWM output frequency
	1200Hz		
	2000Hz		
	4000Hz		
	6000Hz		
	25KHz		

Main Level	Programming Levels		Description
Information	Fixture Hours	----	Shows total product hours
	Version	V_._-V_._	Shows installed software version
	UID	-----	Shows product UID
Factory Setting	No		Reset to factory defaults
	Yes		

Configuration (DMX)

Use control configurations to operate the product with a DMX controller.

Control Personalities

This setting allows you to choose a particular control personality.

1. Go to the DMX **Personality** main level.
2. Select the desired personality (see table below).

Personality	Channels
1Ch: dimmer	1
2Ch: dimmer, strobe	2
5Ch: dimmer, strobe, auto programs, auto speed, dimmer speed	5



- See the [Starting Address](#) section for the highest starting address you can select for each personality.
- Make sure that the starting addresses on the various products do not overlap due to the new personality setting.

Starting Address

Each product will respond to a unique starting address from the DMX controller. All products with the same starting address will respond in unison.

1. Go to the **DMX Address** main level.
2. Select the starting address (**001–512**).

The highest recommended starting address for each DMX mode is as follows:

Personality	Address
5 Ch	508
2 Ch	511
1 Ch	512

Operation

DMX Values

5Ch

Channel	Function	Value	Percent/Setting
1	Dimmer	000 ⇔ 255	0-100%
2	Strobe	000 ⇔ 010	No function
		011 ⇔ 255	Strobe, slow to fast
3	Auto Programs	000 ⇔ 010	No function
		011 ⇔ 070	Auto Program 1
		071 ⇔ 130	Auto Program 2
		131 ⇔ 190	Auto Program 3
		191 ⇔ 255	Auto Program 4
4	Auto Speed	000 ⇔ 255	0-100%
5	Dimmer Speed	000 ⇔ 051	Preset dimmer speed from display menu
		052 ⇔ 101	Dimmer speed mode off
		102 ⇔ 152	Dimmer speed mode 1 (fastest)
		153 ⇔ 203	Dimmer speed mode 2
		204 ⇔ 255	Dimmer speed mode 3 (slowest)

2Ch

Channel	Function	Value	Percent/Setting
1	Dimmer	000 ⇔ 255	0-100%
2	Strobe	000 ⇔ 010	No function
		011 ⇔ 255	Strobe, slow to fast

1Ch

Channel	Function	Value	Percent/Setting
1	Dimmer	000 ⇔ 255	0-100%

Configuration (Standalone)

Use standalone configuration to operate the product without a DMX controller.

Static Mode

The Static mode allows for permanent dimmer, zoom, and strobe presets without a DMX controller.

Auto Programs

Auto programs allow for dynamic blinder effects without a DMX controller.

1. Go to the **Auto Show** main level
2. Select the desired auto program (**Auto 1–4**).
3. Select the desired speed (1–100)



The auto programs cannot be edited.

Master/Slave

The Master/Slave mode allows a group of Ovation F-55WW products (the slaves) to simultaneously duplicate the output of another Ovation F-55WW (the master) without a DMX controller.

To set each of the slaves:

1. Go to the **Master/Slave** main level
2. Select **Slave**.

To set the master:

1. Go to the **Master/Slave** main level
2. Select **Master**.
3. Select a static setting.



- The master is the one that runs a program whether in Auto or Static mode.
- Do not connect a DMX controller to the products configured for Master/Slave operation. The DMX controller may interfere with signals from the master.
- The master should be the first product in the daisy chain.

Dimmer Profiles

This setting determines how fast the output of the Ovation F-55WW changes when you modify the output value. This setting provides four different options to simulate the dimming curve of an incandescent lighting product.

1. Go to the **Dimmer Mode** main level.
2. Select a dimmer curve (**Off**, **Dimmer 1**, **Dimmer 2**, or **Dimmer 3**).



Off: The output is proportional (linear) to the dimmer channel value.

Dimmer 1-3: The output follows the dimmer value based on the corresponding dimmer curve, DIM1 being the fastest.

LED Frequency

This option changes the Pulse Width Modulation (PWM) frequency of the LEDs on the Ovation F-55WW.

1. Go to the **LED Frequency** main level.
2. Select PWM Frequency (**600Hz**, **1200Hz**, **2000Hz**, **4000Hz**, **6000Hz**, or **25Khz**).

Back Light

This setting allows for selection of the amount of time the backlight on the Ovation F-55WW's display stays on after the last button is pressed on the control panel.

1. Go to the **Back Light** main level.
2. Select **On** (remains on), **10S** (10 seconds), **20S** (20 seconds), or **30S** (seconds).

System Information

This option displays the total number of hours the product has run, the installed software version, and the product's UID.

1. Go to the **Information** main level.
2. Select **Fixture Hours**, **Version**, or **UID**.

Factory Reset

This option restores the Ovation F-55WW to factory default settings.

1. Go to the **Reset Factory** main level.
2. Select **No** or **Yes**.

5. Technical Information

Product Maintenance

To maintain optimum performance and minimize wear, clean this product frequently. Usage and environment are contributing factors in determining the cleaning frequency.

Clean this product at least twice a month. Dust build-up reduces light output performance and can cause overheating. This can lead to reduced light source life and increased mechanical wear.

To clean the product:

1. Unplug the product from power.
2. Wait until the product is at room temperature.
3. Use a vacuum (or dry compressed air) and a soft brush to remove dust collected on the external vents.
4. Clean all transparent surfaces with a mild soap solution, ammonia-free glass cleaner, or isopropyl alcohol.
5. Apply the solution directly to a soft, lint free cotton cloth or a lens cleaning tissue.
6. Softly drag any dirt or grime to the outside of the transparent surface.
7. Gently polish the transparent surfaces until they are free of haze and lint.



Always dry the transparent surfaces carefully after cleaning them.



Do not spin the cooling fan using compressed air because you could damage it.

6. Technical Specifications

Dimensions and Weight

Length	Width	Height	Weight
10.87 in (276.3 mm)	6.81 in (173 mm)	6.53 in (166 mm)	5.4 lb (2. kg)

Note: Dimensions in inches rounded to the nearest decimal digit.

Power

Power Supply Type	Range	Voltage Selection
Switching (internal)	100 to 240 VAC, 50/60 Hz	Auto-ranging

Parameter	120 V, 60 Hz	208 V, 60 Hz	230 V, 50 Hz
Consumption	34 W	38 W	45 W
Operating Current	0.267 A	0.150 A	0.163 A

Power I/O	U.S./Worldwide	UK/Europe
Power input connector	Fixed	Fixed
Power Cord plug	Edison (U.S.)	Local Plug

Light Source

Type	Color	Quantity	Power	Current	Lifespan
LED	WW	1	36 W	740 mA	50,000 hours

Photometrics

Parameter	Value
Strobe Rate	0 to 30 Hz
Beam Angle	18° to 56°
Field Angle	30° to 69°
Zoom Angle	30° to 69°
Illuminance @ 5 m (30°)	279 lux
Illuminance @ 5 m (69°)	100 lux

Thermal

Maximum External Temperature

113 °F (45 °C)

DMX

I/O Connector	Channel Range
5-pin XLR	1, 2, or 3

Ordering

Product Name	Item Name	Item Code	UPC Number
Ovation F-55WW	OVATIONF55WW	03031385	781462217334



UL 1573
CSA C22.2 No. 166
E113093

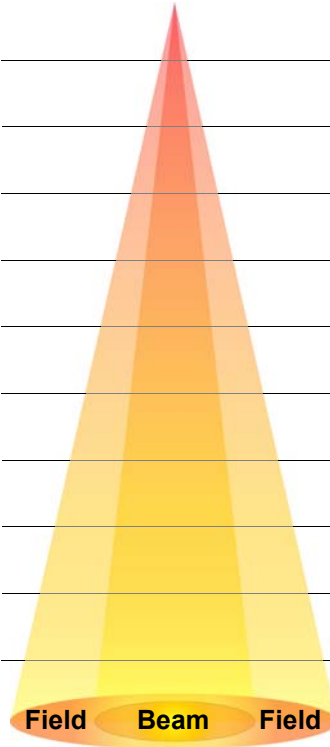


RoHS

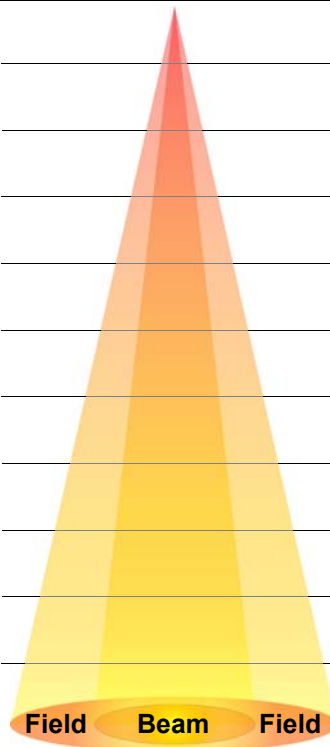


Photometrics Charts

Distance	Narrow (30°)		Ovation F-55WW (Imperial)		Wide (69°)	
	Beam Diameter	Field Diameter	Footcandle	Footcandle	Beam Diameter	Field Diameter
15 ft	4.75 ft	8.04 ft	11	11	15.95 ft	20.62 ft
20 ft	6.34 ft	10.72 ft	6	6	21.27 ft	27.49 ft
30 ft	9.50 ft	16.08 ft	3	3	31.90ft	41.24 ft
40 ft	12.67 ft	21.44 ft	2	2	42.54 ft	54.98 ft
50 ft	15.84 ft	26.79 ft	1	1	53.17 ft	68.73ft
75 ft	23.76 ft	40.19 ft	0	0	79.76 ft	103.09 ft
100 ft	31.68 ft	53.59 ft	0	0	106.34ft	137.46 ft
125 ft	39.60 ft	66.99 ft	0	0	132.93 ft	171.82 ft
150 ft	47.52 ft	80.38 ft	0	0	159.51 ft	206.18 ft



Distance	Narrow (32°)		Ovation F-55WW (Metric)		Wide (87°)	
	Beam Diameter	Field Diameter	Lux	Lux	Beam Diameter	Field Diameter
1 m	0.32 m	0.54 m	2,500	2,500	1.06 m	1.37 m
2 m	0.63 m	1.07 m	625	625	2.13 m	2.75 m
5 m	1.58 m	2.68 m	100	100	5.32 m	6.87 m
8 m	2.53 m	4.29 m	39	39	8.51 m	11.00 m
10 m	3.17 m	5.36 m	25	25	10.63 m	13.75 m
15 m	4.75 m	8.04 m	11	11	15.95 m	20.62 m
20 m	6.34 m	10.72 m	6	6	21.27 m	27.49 m
25 m	7.92 m	13.40 m	4	4	26.59 m	34.36 m
30 m	9.50 m	16.08 m	3	3	31.90 m	41.24 m



Returns

Send the product prepaid, in the original box, and with the original packing and accessories. Chauvet will not issue call tags.

Call Chauvet and request a Return Merchandise Authorization (RMA) number before shipping the product. Be prepared to provide the model number, serial number, and a brief description of the cause(s) for the return.

Clearly label the package with an RMA number. Chauvet will refuse any product returned without an RMA number.



Write the RMA number on a properly affixed label. DO NOT write the RMA number directly on the box.

Once you have the RMA number, provide the following information on a piece of paper and place it inside the box:

- Your name
- Your address
- Your phone number
- RMA number
- A brief description of the problem

Be sure to pack the product properly. Any shipping damage resulting from inadequate packaging will be your responsibility. FedEx packing or double-boxing are recommended.



Chauvet reserves the right to use its own discretion to repair or replace returned product(s).

Contact Us

World Headquarters	
General Information	Technical Support
Address: 5200 NW 108th Ave. Sunrise, FL 33351 Voice: (954) 577-4455 Fax: (954) 929-5560 Toll Free: (800) 762-1084	Voice: (844) 393-7575 Fax: (954) 756-8015 Email: chauvetcs@chauvetlighting.com
	Website www.chauvetprofessional.com
EUROPE	
General Information	Technical Support
Address: Stokstraat 18 9770 Kruishoutem Belgium Voice: +32 9 388 93 97	Email: eutech@chauvetlighting.eu
	Website www.chauvetprofessional.eu
General Information	Technical Support
Address: Unit 1C Brookhill Road Industrial Estate Pinxton, Nottingham, UK NG16 6NT Voice: +44 (0) 1773 511115 Fax: +44 (0) 1773 511110	Email: uktech@chauvetlighting.com
	Website www.chauvetprofessional.eu
MEXICO	
General Information	Technical Support
Address: Av. de las Partidas 34 - 3B (Entrance by Calle 2) Zona Industrial Lerma Lerma, Edo. de México, CP 52000 Voice: +52 (728) 690-2010	Email: servicio@chauvet.com.mx
	Website www.chauvetprofessional.mx

Visit the applicable website above to verify our contact information and instructions to request support. Outside the U.S., United Kingdom, Ireland, Mexico or Benelux, contact the dealer of record.