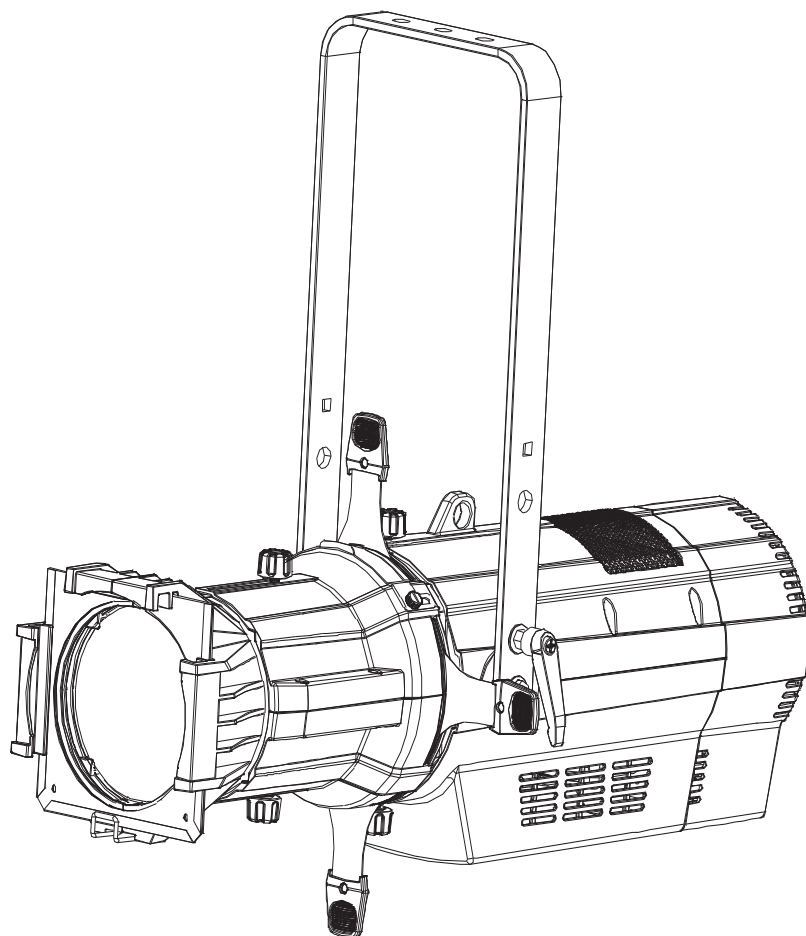


Ovation

E-930VW

User Manual




CHAUVET
PROFESSIONAL

Edition Notes

The Ovation E-930VW User Manual includes a description, safety precautions, installation, programming, operation and maintenance instructions for the Ovation E-930VW as of the release date of this edition.

Trademarks

CHAUVET, the Chauvet logo and Ovation E-930VW are registered trademarks or trademarks of Chauvet & Sons, LLC (d/b/a Chauvet and Chauvet Lighting) in the United States and other countries. Other company and product names and logos referred to herein may be trademarks of their respective companies.

Copyright Notice

The works of authorship contained in this manual, including, but not limited to, all design, text and images are owned by Chauvet.

© **Copyright 2018 Chauvet & Sons, LLC. All rights reserved.**

Electronically published by Chauvet in the United States of America.

Manual Use

Chauvet authorizes its customers to download and print this manual for professional information purposes only. Chauvet expressly prohibits the usage, copy, storage, distribution, modification, or printing of this manual or its content for any other purpose without written consent from Chauvet.

Document Printing

For best results, print this document in color, on letter size paper (8.5 x 11 in), double-sided. If using A4 paper (210 x 297 mm), configure the printer to scale the content accordingly.

Intended Audience

Any person installing, operating, and/or maintaining this product should completely read through the guide that shipped with the product, as well as this manual, before installing, operating, or maintaining this product.

Disclaimer

Chauvet believes that the information contained in this manual is accurate in all respects. However, Chauvet assumes no responsibility and specifically disclaims any and all liability to any party for any loss, damage or disruption caused by any errors or omissions in this document, whether such errors or omissions result from negligence, accident or any other cause. Chauvet reserves the right to revise the content of this document without any obligation to notify any person or company of such revision, however, Chauvet has no obligation to make, and does not commit to make, any such revisions. Download the latest version from www.chauvetprofessional.com.

Document Revision

This Ovation E-930VW User Manual is the 2nd edition of this document. Go to www.chauvetprofessional.com for the latest version.

TABLE OF CONTENTS

1. Before You Begin	1
What Is Included	1
Claims	1
Manual Conventions	1
Symbols	1
Safety Notes.....	2
Personal Safety.....	2
Mounting and Rigging	2
Power and Wiring.....	2
Operation	2
Expected LED Lifespan.....	2
2. Introduction	3
Description	3
Features	3
Lens Tube	3
Product Overview.....	4
Product Dimensions	5
3. Setup	6
AC Power	6
AC Plug	6
Power Linking.....	6
Fuse Replacement.....	6
DMX Linking.....	6
DMX Personalities.....	6
Remote Device Management (RDM).....	6
Master/Slave Connectivity.....	7
Mounting	7
Orientation.....	7
Rigging	7
Procedure.....	8
Configuration (DMX)	8
Control Personalities	8
Starting Address.....	9
Manual Beam Focus Control.....	9
Rotating the Barrel Assembly.....	9
Accessory Slot	10
4. Operation	11
Control Panel Operation.....	11
Control Options	11
Programming.....	11
Preset Color Temperature Chart.....	11
Menu Map	11
Configuration (Standalone)	13
Static Mode	13
Master/Slave	13
Dimmer Profiles.....	13
White Balance	13
Repeat steps 3 and 4 until the product outputs as desired.	13
LED Frequency	13
Fan Mode	14
Back Light	14
System Information	14

Factory Reset.....	14
DMX Values	14
5. Technical Information	17
Product Maintenance	17
6. Technical Specifications	18
Photometric Charts	20
7. Returns	25
8. Contact Us	26

1. Before You Begin

What Is Included

- Ovation E-930VW
- Neutrik® powerCON® Power Cord
- Quick Reference Guide

Claims

Carefully unpack the product immediately and check the container to make sure all the parts are in the package and are in good condition.




If the box or the contents (the product and included accessories) appear damaged from shipping, or show signs of mishandling, notify the carrier immediately, not Chauvet. Failure to report damage to the carrier immediately may invalidate your claim. In addition, keep the box and contents for inspection.

For other issues, such as missing components or parts, damage not related to shipping, or concealed damage, file a claim with Chauvet within 7 days of delivery.

Manual Conventions

Convention	Meaning
1–512	A range of values
50/60	A set of values of which only one can be chosen
<SET>	A button on the product's control panel
Settings	A product function or a menu option

Symbols

Symbol	Meaning
	Critical installation, configuration, or operation information. Not following these instructions may make the product not work, cause damage to the product, or cause harm to the operator.
	Important installation or configuration information. The product may not function correctly if this information is not used.
	Useful information.



Any reference to power connections in this manual assumes the use of Neutrik® powerCON® cables.



The term “DMX” used throughout this manual refers to the USITT DMX512-A digital data transmission protocol.

Safety Notes

Read all the following safety notes before working with this product. These notes contain important information about the installation, usage, and maintenance of this product.



This product contains no user-serviceable parts. Any reference to servicing in this User Manual will only apply to properly trained, certified technicians. Do not open the housing or attempt any repairs.



All applicable local codes and regulations apply to proper installation of this product.

Personal Safety

- Avoid direct eye exposure to the light source while the product is on.
- Always disconnect the product from the power source before cleaning or replacing the fuse.
- Always connect the product to a grounded circuit to avoid the risk of electrocution.
- Do not touch the product's housing when operating because it may be very hot.

Mounting and Rigging

- This product is not intended for permanent installation.
- This product is for indoor use only! To prevent risk of fire or shock, do not expose this product to rain or moisture. (IP20)
- CAUTION: When transferring product from extreme temperature environments, (e.g. cold truck to warm humid ballroom) condensation may form on the internal electronics of the product. To avoid causing a failure, allow product to fully acclimate to the surrounding environment before connecting it to power.
- Mount this product in a location with adequate ventilation, at least 20 in (50 cm) from adjacent surfaces.
- Make sure there are no flammable materials close to this product while it is operating.
- When hanging this product, always secure to a fastening device using a safety cable.
- Never carry the product by the power cord.

Power and Wiring

- Make sure the power cord is not crimped or damaged.
- Always make sure you are connecting this product to the proper voltage in accordance with the specifications in this manual or on the product's specification label.
- To eliminate unnecessary wear and improve its lifespan, during periods of non-use completely disconnect the product from power via breaker or by unplugging it.
- Never connect this product to a dimmer pack or rheostat.
- Make sure to replace the fuse with another of the same type and rating.
- Never disconnect this product by pulling or tugging on the power cable.

Operation

- Do not operate this product if there is damage on the housing, lenses, or cables. Have the damaged parts replaced by an authorized technician at once.
- Do not cover the ventilation slots when operating to avoid internal overheating.
- The maximum ambient temperature is 113 °F (45 °C). Do not operate the product at higher temperatures.
- In the event of a serious operation problem, stop using this product immediately!



If your Chauvet product requires service, contact Chauvet Technical Support.

Expected LED Lifespan

LEDs gradually decline in brightness over time, primarily because of heat. LEDs that are arranged in clusters experience higher operating temperatures than single LEDs. For this reason, operating clustered LEDs at their fullest intensity significantly reduces the LEDs' lifespan. Under normal conditions, this lifespan is 90,000 to 100,000 hours. If extending this lifespan is vital, lower the operating temperature by improving the ventilation around the product, thus reducing the ambient temperature. In addition, limiting the overall projection intensity may extend the LEDs' lifespan.

2. Introduction

Description

Ovation E-930VW is a high-performance, variable white ellipsoidal style fixture that utilizes our unique 6-color LED system. This fixture projects a bright, flat field of light in nearly any temperature of white with high CRI and CQS. Each color temperature can be further adjusted for +/- green to perfect the field of light. For times when a splash of color is needed, the fixture can also give you full control of each color of LED as well.

Features

- Variable white ERS-style lighting fixture for theatre, film and production
- Color Temperature Presets from 2800 K to 8
- 000 K with high CRI and CQS
- Beautiful 16-bit dimming
- Proprietary LED engine delivers equal output at all color temperatures
- +/- Green adjustment via DMX or on-board control
- Independent color control over the 6-color engine when a splash of color is needed
- RDM (Remote Device Management) for added flexibility
- Adjustable PWM (Pulse Width Modulation) to avoid flickering on camera
- Virtually silent operation for use in studio and theatre applications
- Works with industry standard lens tubes and accessories

Lens Tube

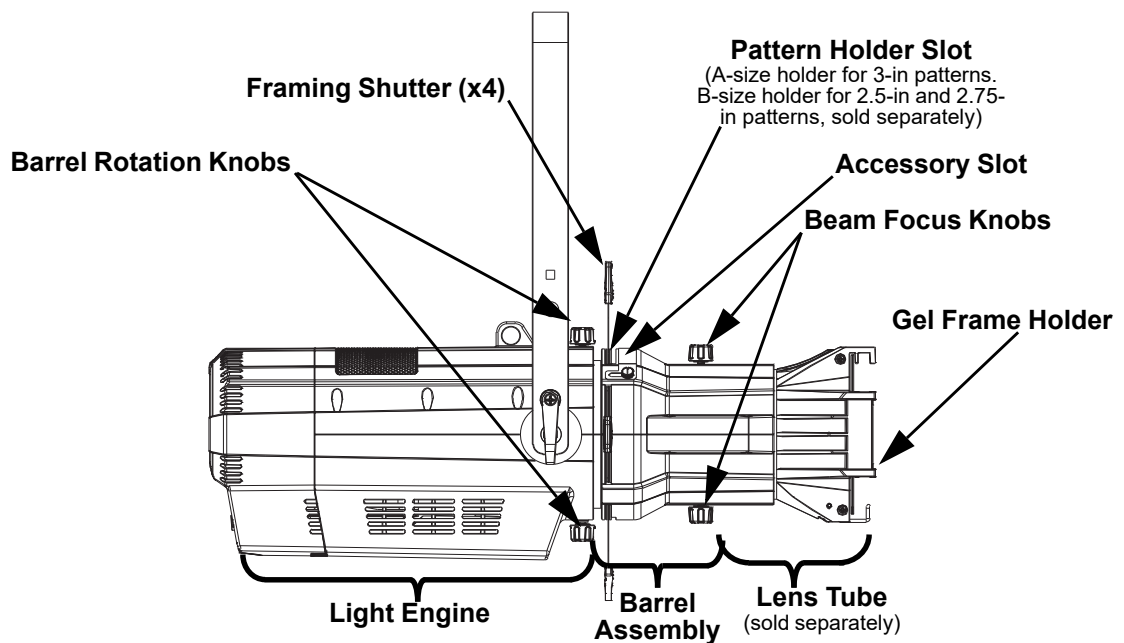
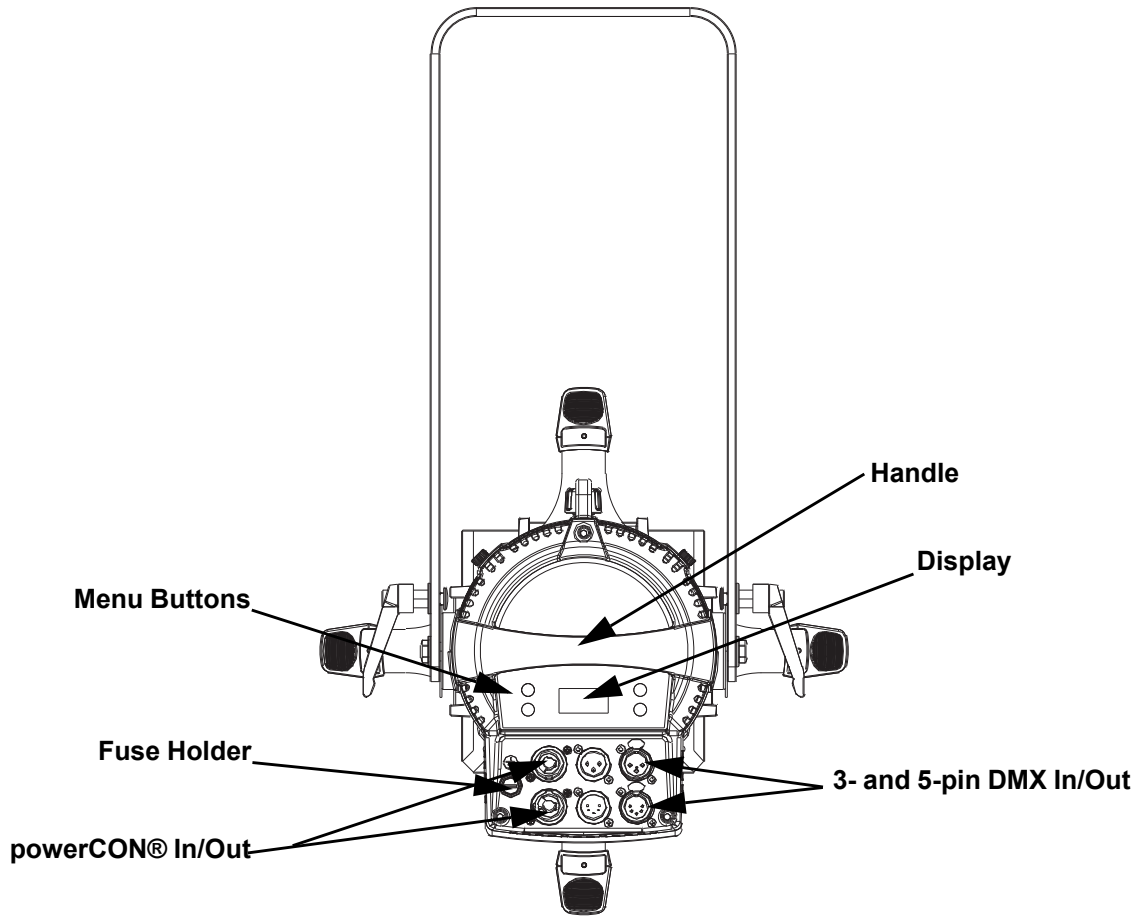
The following lens tubes are available for purchase:

- 14° w/ Gel frame (7.5 in/191 mm accessories)
- 19° w/ Gel frame (6.25 in/159 mm accessories)
- 26° w/ Gel frame (6.25 in/159 mm accessories)
- 36° w/ Gel frame (6.25 in/159 mm accessories)
- 50° w/ Gel frame (6.25 in/159 mm accessories)
- 15°–30° w/ Gel frame (7.5 in/191 mm accessories)
- 25°–50° w/ Gel frame (7.5 in/191 mm accessories)

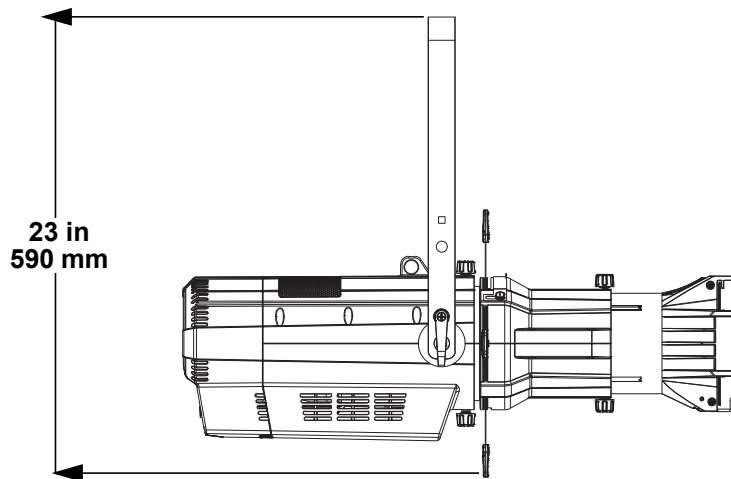
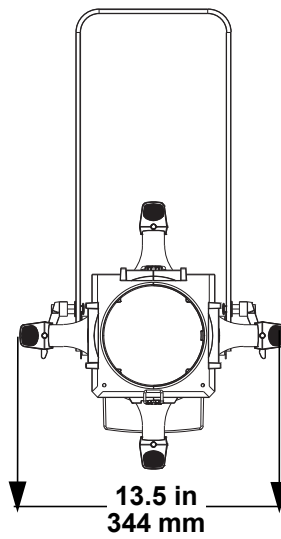
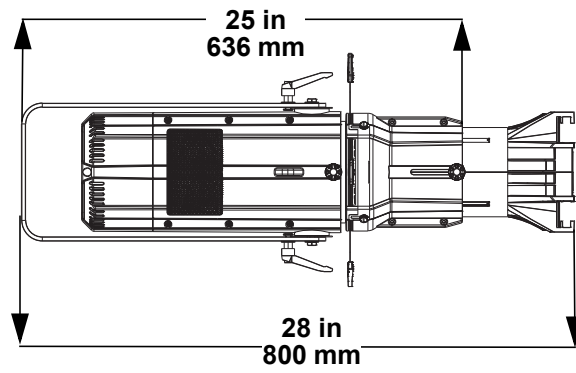


Do not operate the Ovation E-930VW without a lens tube installed.

Product Overview



Product Dimensions



3. Setup

AC Power

Each Ovation E-930VW has an auto-ranging power supply that works with an input voltage range of 100 to 240 VAC, 50/60 Hz. To determine the power requirements for each Ovation E-930VW, refer to the label affixed to the product. You can also refer to the [Technical Specifications](#) chart in this manual.

The listed current rating indicates the maximum current draw during normal operation. For more information, download Sizing Circuit Breakers from the Chauvet website: www.chauvetprofessional.com.



- **Always connect the product to a protected circuit (circuit breaker or fuse). Make sure the product has an appropriate electrical ground to avoid the risk of electrocution or fire.**
- **To eliminate unnecessary wear and improve its lifespan, during periods of non-use completely disconnect the product from power via breaker or by unplugging it.**



Never connect the product to a rheostat (variable resistor) or dimmer circuit, even if the rheostat or dimmer channel serves only as a 0 to 100% switch.

AC Plug

The Ovation E-930VW comes with a power input cord terminated with a Neutrik® powerCON® on one end and an Edison plug on the other end (U.S. market). If the power input cord that came with your product has no plug, or if you need the change the plug, use the table below to wire the new plug.

Connection	Wire (U.S.)	Wire (Europe)	Screw Color
AC Live	Black	Brown	Yellow or Brass
AC Neutral	White	Blue	Silver
AC Ground	Green/Yellow	Green/Yellow	Green

Power Linking

The product supports power linking, you can link up to 6 Ovation E-930VW products at 120 V, 11 units at 208 V, or 13 products at 230 V.

Fuse Replacement

1. Disconnect the product from the power outlet.
2. Using a Phillips-head screwdriver, unscrew the fuse holder cap from the housing.
3. Remove the blown fuse and replace with another fuse of the same type and rating (T 3.15 A, 250 V).
4. Screw the fuse holder cap back in place and reconnect power.



Make sure to disconnect the product from power before replacing a blown fuse. Always replace the blown fuse with another of the same type and rating.

DMX Linking

You can link the Ovation E-930VW to a DMX controller using a 3- or 5-pin DMX connection. If using other DMX-compatible products with this product, you can control each individually with a single DMX controller.

DMX Personalities

The Ovation E-930VW uses a 3- or 5-pin DMX data connection for its **3-, 5-, 6-, 8-, 11-, 15- and 17-channel** DMX personalities.

- Refer to the [Introduction](#) chapter for a brief description of each DMX personality.
- Refer to the [Operation](#) chapter to learn how to configure the Ovation E-930VW to work in these personalities.
- The [DMX Values](#) section provides detailed information regarding the DMX personalities.



If you are not familiar with or need more information about DMX standards, Master/Slave connectivity, or the DMX cables needed to link this product to a DMX controller, download the DMX Primer from the Chauvet website: www.chauvetprofessional.com.

Remote Device Management (RDM)

Remote Device Management, or RDM, is a standard for allowing DMX-enabled devices to communicate bi-directionally along existing DMX cabling. Check the DMX controller's User Manual or with the manufacturer as not all DMX controllers have this capability. The Ovation E-930VW supports RDM protocol that allows feedback to make changes to menu map options.

Master/Slave Connectivity

The Master/Slave mode allows a Ovation E-930VW (the master) to control one or more Ovation E-930VW products (the slaves) without a DMX controller. One Ovation E-930VW becomes the master when running an auto program, or by being in Static mode.

You must configure each slave's control panel to operate in Slave mode. During Master/Slave operation, the slaves will operate in unison with the master.



DO NOT connect a DMX controller to products operating in Master/Slave mode. The DMX controller signals may interfere with the signals from the master.



- The [Operation](#) section of this manual provides detailed instructions on how to configure the master and slaves.
- If you are not familiar with or need more information about DMX standards, or the DMX cables needed to link this product to a DMX controller, download the DMX Primer from the Chauvet website: www.chauvetprofessional.com.

Mounting

Before mounting the product, read and follow the safety recommendations indicated in the [Safety Notes](#). For our CHAUVET Professional line of mounting clamps, go to <http://trusst.com/products/>.

Orientation

Always mount this product in a safe position, making sure there is adequate room for ventilation, configuration, and maintenance.

Rigging

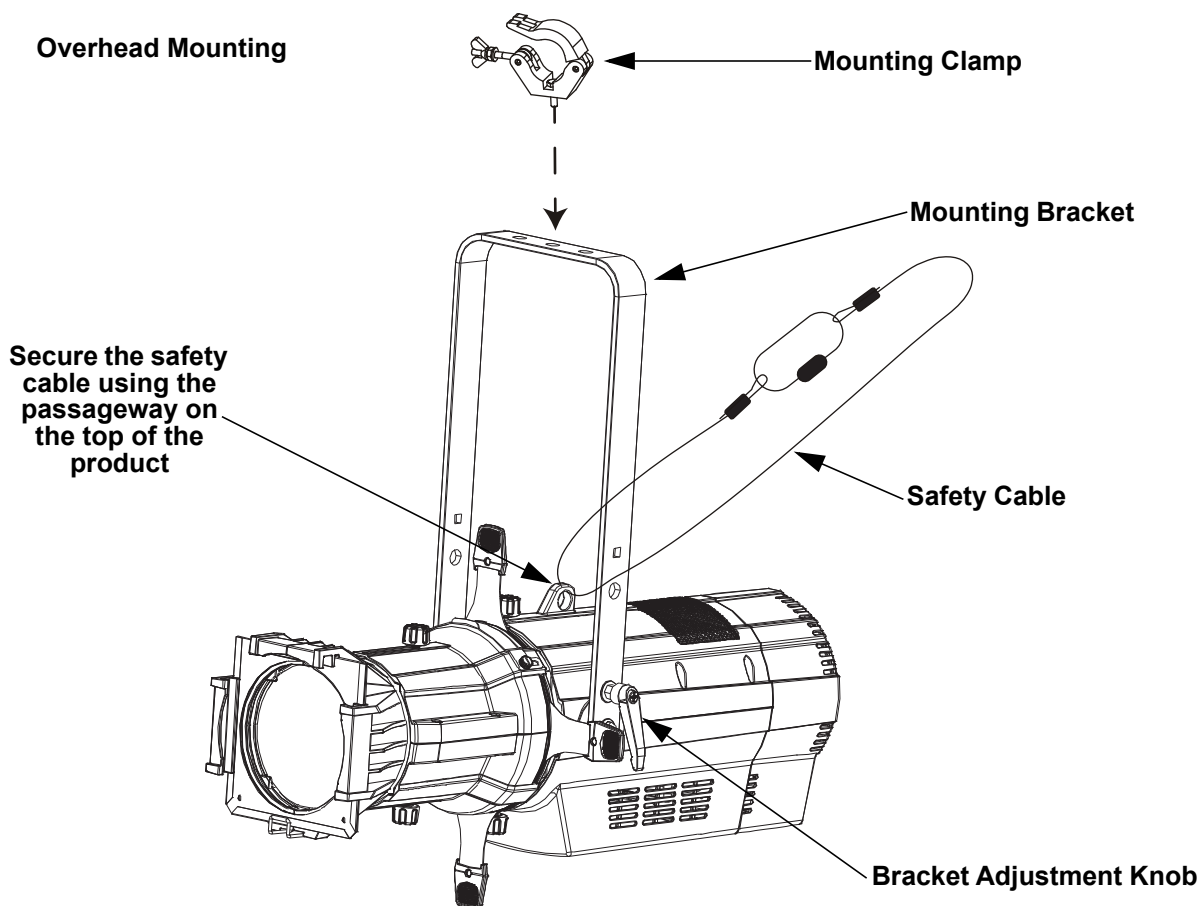
Chauvet recommends using the following general guidelines when mounting this product.

- Before deciding on a location for the product, make sure there is easy access to the product for maintenance and programming purposes.
- Make sure that the structure onto which you are mounting the product can support the product's weight. See the [Technical Specifications](#) for weight information.
- When mounting the product overhead, always use a safety cable. Mount the product securely to a rigging point, whether an elevated platform or a truss.
- When rigging the product onto a truss, use a mounting clamp of appropriate weight capacity.
- When power linking multiple products, mount the products close enough for power linking cables to reach.
- The bracket adjustment knob allows for directional adjustment when aiming the product to the desired angle. Only loosen or tighten the bracket knob manually. Using tools could damage the knob.

Procedure

The Ovation E-930VW comes with a hanging/mounting bracket to which mounting clamps can be attached. The bracket has 13-mm holes, which are appropriate for this purpose. Be sure the clamps used are capable of supporting the weight of this product. Use at least one mounting point per product where necessary.

Mounting Diagram



Configuration (DMX)

Use control configurations to operate the product with a DMX controller.

Control Personalities

This setting allows you to choose a particular control personality.

1. Go to the **DMX Personality** main level.
2. Select the desired personality, from **3 Ch**, **5 Ch**, **6 Ch**, **8 Ch**, **11 Ch**, **15 Ch**, or **17 Ch**.



- See the [Starting Address](#) section for the highest starting address you can select for each personality.
- Make sure that the starting addresses on the various products do not overlap due to the new personality setting.

Starting Address

Each product will respond to a unique starting address from the DMX controller. All products with the same starting address will respond in unison.

1. Go to the **DMX Address** main level.
2. Select the starting address (**001–510**).

The highest recommended starting address for each DMX mode is as follows

Personality	Address
17 Ch	496
15 Ch	498
11 Ch	502
8 Ch	505
6 Ch	506
5 Ch	508
3 Ch	510

Manual Beam Focus Control

The Ovation E-930VW has a manual focus, which is adjusted as follows:

1. Locate the beam focus knobs at the top and bottom of the barrel assembly.
2. Loosen the knobs by turning them counter-clockwise.
3. Slide the lens tube forward or backward until you achieve the desired focus or beam edge.
4. Tighten the knobs by turning them clockwise, which lock the lens tube's position.



To avoid changing menu settings while focusing the Ovation E-930VW, press and hold the <ENTER> button for 3 seconds. This will put the product in “Focus Mode” by increasing the intensity to 100%. To exit out of focus mode, press <MENU>.

Rotating the Barrel Assembly

The Ovation E-930VW allows manual rotation of the barrel assembly, as follows:

1. Locate the barrel rotation knobs at the top and bottom of the light engine.
2. Loosen the knobs by turning them counter-clockwise.
 - **Note:** Do not remove the knobs.
3. Rotate the barrel to the desired position, up to 25° in either direction from the centered position.
4. Tighten the knobs by turning them clockwise, which lock the barrel's position.

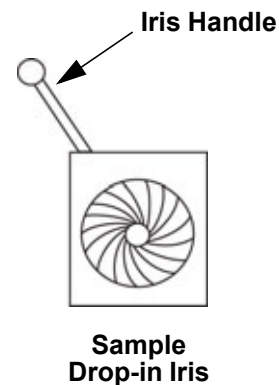
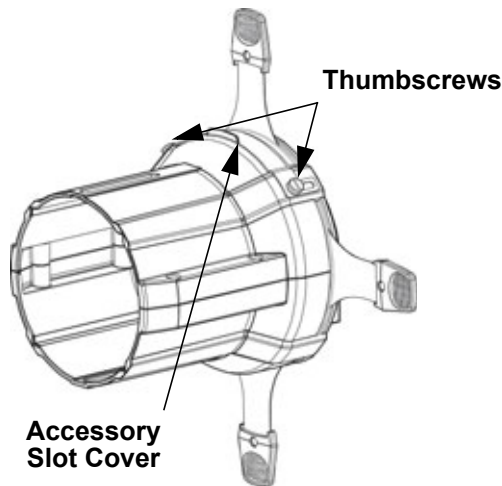


Make sure the barrel assembly is oriented with the pattern holder and accessory slots at the top of the product.

Accessory Slot

The Ovation E-930VW has an accessory slot, which holds a drop-in iris, a motorized pattern device, or various other optional accessories (sold separately).

1. Loosen the thumbscrews on the slot cover.
 - **Note:** Do not remove the thumbscrews.
2. Slide the cover forward.
3. Insert an accessory.
 - **Note:** Make sure to insert the accessory correctly. For example, make sure the iris handle extends upward from the slot.
4. Slide the cover back. Make sure any handles or adjustment tools that stick out the top are able to function correctly.
5. Tighten the thumbscrews to secure the cover.



- When not using the accessory slot, replace and secure the slot cover to prevent light leakage during operation.
- When obtaining any optional accessories, be sure the items are compatible with the Ovation E-930VW.

4. Operation

Control Panel Operation

Button	Function
<MENU>	Exits from the current menu or function
<ENTER>	Enables the currently displayed menu or sets the currently selected value in to the current function
<UP>	Navigates upward through the menu list or increases the numeric value when in a function
<DOWN>	Navigates downward through the menu list or decreases the numeric value when in a function

Control Options

Set the Ovation E-930VW starting address in the **001-512** DMX range. This enables control of up to 30 products in the **17**-channel personality.

Programming

Refer to the Menu Map to understand the menu options. The menu map shows the main level and a variable number of programming levels for each option.

- To go to the desired main level, press **<MENU>** repeatedly until the option shows on the display. Press **<ENTER>** to select. This will take you to the first programming level for that option.
- To select an option or value within the current programming level, press **<UP>** or **<DOWN>** until the option shows on the display. Press **<ENTER>** to select. In this case, if there is another programming level, you will see that first option, or you will see the selected value.
- Press **<MENU>** repeatedly to exit to the previous main level.

Preset Color Temperature Chart

DMX Channel Value	Display Readout	DMX Channel Value	Display Readout
000 ⇔ 005	2800K/No Function	125 ⇔ 132	4500K - 4600K
006 ⇔ 013	2800K - 2900K	132 ⇔ 139	4600K - 4700K
013 ⇔ 020	2900K - 3000K	139 ⇔ 146	4700K - 4800K
020 ⇔ 027	3000K - 3100K	146 ⇔ 153	4800K - 4900K
027 ⇔ 034	3100K - 3200K	153 ⇔ 160	4900K - 5000K
034 ⇔ 041	3200K - 3300K	160 ⇔ 167	5000K - 5100K
041 ⇔ 048	3300K - 3400K	167 ⇔ 174	5100K - 5200K
048 ⇔ 055	3400K - 3500K	174 ⇔ 181	5200K - 5300K
055 ⇔ 062	3500K - 3600K	181 ⇔ 188	5300K - 5400K
062 ⇔ 069	3600K - 3700K	188 ⇔ 195	5400K - 5500K
069 ⇔ 076	3700K - 3800K	195 ⇔ 202	5500K - 5600K
076 ⇔ 083	3800K - 3900K	202 ⇔ 209	5600K - 5700K
083 ⇔ 090	3900K - 4000K	209 ⇔ 216	5700K - 6000K
090 ⇔ 097	4000K - 4100K	216 ⇔ 223	6000K - 6500K
097 ⇔ 104	4100K - 4200K	223 ⇔ 230	6500K - 7000K
104 ⇔ 111	4200K - 4300K	230 ⇔ 237	7000K - 7500K
111 ⇔ 118	4300K - 4400K	237 ⇔ 244	7500K - 8000K
118 ⇔ 125	4400K - 4500K	244 ⇔ 255	8000K

Menu Map

Main Level	Programming Levels	Description
DMX Address	001-512	Selects DMX address (highest channel restricted to personality chosen)
	3Ch	3-channel: dimmer, color temperature, hue
	5Ch	5-channel: dimmer, dimmer fine, color temperature, hue, strobe
	6Ch	6-channel: red, orange, green, royal blue, blue, or lime.
DMX Channel	8Ch	8-channel: dimmer, red, orange, green, royal blue, blue, lime, strobe.

Main Level	Programming Levels		Description	
DMX Channel	11Ch		11-channel: dimmer, red, orange, green, royal blue, blue, lime, strobe, color temperature, hue, dimmer speed	
	15Ch		15-channel: dimmer, dimmer fine, red, red fine, orange, orange fine, green, green fine, royal blue, royal blue fine, blue, blue fine, lime, lime fine, strobe	
	17Ch		17-channel: dimmer, dimmer fine, red, red fine, orange, orange fine, green, green fine, royal blue, royal blue fine, blue, blue fine, lime, lime fine, strobe, color temperature, hue	
Color Temperature	2800K		Preset white color temperatures. Emulates a tungsten lamp at the specified color temperature. Refer to the Preset Color Temperature Chart section for specific values	
	2900K			
	3000K			
	3100K			
	3200K			
	5300K			
	5400K			
	5500K			
	5600K			
	5700K			
	6000K			
	6500K			
	7000K			
7500K				
8000K				
Master/Slave	Master		DMX mode (Master)	
	Slave		Slave mode	
	Off		Linear dimmer	
Dimmer Mode	Dimmer 1–3		Dimming curves Dimmer 1 (fast) to Dimmer 3 (slow)	
White Balance	Manual	Off		Uses factory default white setting
		Red	125-255	Sets red LED maximum value
		Orange	125-255	Sets orange LED maximum value
		Green	125-255	Sets green LED maximum value
		Blue	125-255	Sets blue LED maximum value
		Royal Blue	125-255	Sets royal blue LED maximum value
		Lime	125-255	Sets lime LED maximum value
Fan Mode	Auto		Sets the fan to auto mode	
	On		Sets the fan to always on	
	Off		Turns the fan off	
	Silent		Sets the fan to silent	
	On		Display backlight always on	
Back Light	10S		Turns off display backlight after 10 seconds of inactivity	
	20S		Turns off display backlight after 20 seconds of inactivity	
	30S		Turns off display backlight after 30 seconds of inactivity	
Information	Fixture Hours	<_ _ _ _H>	Shows total hours the product has been powered on	
	Version	<V_ _>	Shows current firmware version	
	UID	<_ _ _ _ _>	Shows product UID	
Reset Factory	No		Resets the product to factory default settings	
	Yes			

Operation

Configuration (Standalone)

Use standalone configuration to operate the product without a DMX controller.

Static Mode

The Static mode allows for an unchanging color without a DMX controller.

Color Temperature

1. Go to the **Static** main level.
2. Select **Color Temperature**.
3. Select the desired color temperature (see [Preset Color Temperature Chart](#)).
4. Select the desired output level (<000–255>).

Manual Color Mixer

1. Go to the **Static** main level.
2. Select **Manual Color Mixer**.
3. Select the color to edit (**Red, Orange, Green, Royal Blue, Blue, or Lime**).
4. Select the desired output level for that color (<000–255>).
5. Repeat steps 3 and 4 until product outputs as desired.

Master/Slave

The Master/Slave mode allows a group of Ovation E-930VW products (the slaves) to simultaneously duplicate the output of another Ovation E-930VW (the master) without a DMX controller.

To set each of the slaves:

1. Go to the **Master/Slave** main level
2. Select **Slave**.

To set the master:

1. Go to the **Master/Slave** main level
2. Select **Master**.
3. Select a static setting.



- The master is the one that runs a program whether in Auto or Static mode.
- Do not connect a DMX controller to the products configured for Master/Slave operation. The DMX controller may interfere with signals from the master.
- The master should be the first product in the daisy chain.

Dimmer Profiles

This setting determines how fast the output of the Ovation E-930VW changes when you modify the output value. This setting provides four different options to simulate the dimming curve of an incandescent lighting product.

1. Go to the **Dimmer Mode** main level.
2. Select a dimmer curve (**Off, Dimmer 1, Dimmer 2, or Dimmer 3**).



- Off:** The output is proportional (linear) to the dimmer channel value.
- Dimmer 1-3:** The output follows the dimmer value based on the corresponding dimmer curve, **Dimmer 1** being the fastest.

White Balance

This setting determines the maximum output values for each color, which affects the appearance of a full output white.

1. Go to the **White Balance** main level.
2. Select **Off** (the product will use a default setting) or **Manual**.
3. For **Manual** mode, select the color value to edit (**Red, Orange, Green, Royal Blue, Blue, or Lime**).
4. Set the maximum value for the selected color (**125–255**).

Repeat steps 3 and 4 until the product outputs as desired.

LED Frequency

This option changes the Pulse Width Modulation (PWM) frequency of the LEDs on the Ovation E-930VW.

1. Go to the **LED Frequency** main level.
2. Select PWM Frequency (**600Hz, 1200Hz, 2000Hz, 4000Hz, 6000Hz, or 25Khz**).

Fan Mode

This setting determines how the fan speed on the Ovation E-930VW is set.

1. Go to the **Fan Mode** main level
2. Select **Auto** (fan speed will increase or decrease based on product temperature), **Off** (fan will stay off. Product output will decrease based on product temperature), **Silent** (fan will maintain a constant silent speed), or **On** (fan speed will always be at maximum).



WARNING: When operating in Fan Mode: Off, the fixture will become hotter to the touch than when using other fan modes. Use proper protective equipment to prevent burns. Keep a safe distance from flammable objects.



NOTICE: When operating in Fan Mode: Off, output of the fixture will be reduced and will not reach the same levels as when using other fan modes.

3.

Back Light

This setting allows for selection of the amount of time the backlight on the Ovation E-930VW's display stays on after the last button is pressed on the control panel.

1. Go to the **Back Light** main level.
2. Select **On** (remains on), **10S** (10 seconds), **20S** (20 seconds), or **30S** (seconds).

System Information

This option displays the total number of hours the product has run, the installed software version, and the product's UID.

1. Go to the **Information** main level.
2. Select **Fixture Hours**, **Version**, or **UID**.

Factory Reset

This option restores the Ovation E-930VW to factory default settings.

1. Go to the **Reset Factory** main level.
2. Select **No** or **Yes**.

DMX Values

17CH

Channel	Function	Value	Percent/Setting
1	Dimmer	000 ⇔ 255	0–100%
2	Dimmer Fine	000 ⇔ 255	0–100%
3	Red	000 ⇔ 255	0–100%
4	Red Fine	000 ⇔ 255	0–100%
5	Orange	000 ⇔ 255	0–100%
6	Orange Fine	000 ⇔ 255	0–100%
7	Green	000 ⇔ 255	0–100%
8	Green Fine	000 ⇔ 255	0–100%
9	Royal Blue	000 ⇔ 255	0–100%
10	Royal Blue Fine	000 ⇔ 255	0–100%
11	Blue	000 ⇔ 255	0–100%
12	Blue Fine	000 ⇔ 255	0–100%
13	Lime	000 ⇔ 255	0–100%
14	Lime Fine	000 ⇔ 255	0–100%
15	Strobe	000 ⇔ 010	No Function
		011 ⇔ 255	Strobe, slow to fast
16	Color Temperature	000 ⇔ 255	Refer to the Preset Color Temperature Chart
17	Hue	000 ⇔ 000	No Function
		001 ⇔ 255	Adjusts +/- green

15CH

Channel	Function	Value	Percent/Setting
1	Dimmer	000 ⇔ 255	0–100%
2	Dimmer Fine	000 ⇔ 255	0–100%
3	Red	000 ⇔ 255	0–100%
4	Red Fine	000 ⇔ 255	0–100%
5	Orange	000 ⇔ 255	0–100%
6	Orange Fine	000 ⇔ 255	0–100%
7	Green	000 ⇔ 255	0–100%
8	Green Fine	000 ⇔ 255	0–100%
9	Royal Blue	000 ⇔ 255	0–100%
10	Royal Blue Fine	000 ⇔ 255	0–100%
11	Blue	000 ⇔ 255	0–100%
12	Blue Fine	000 ⇔ 255	0–100%
13	Lime	000 ⇔ 255	0–100%
14	Lime Fine	000 ⇔ 255	0–100%
15	Strobe	000 ⇔ 010	No Function
		011 ⇔ 255	Strobe, slow to fast

11CH

Channel	Function	Value	Percent/Setting
1	Dimmer	000 ⇔ 255	0–100%
2	Red	000 ⇔ 255	0–100%
3	Orange	000 ⇔ 255	0–100%
4	Green	000 ⇔ 255	0–100%
5	Royal Blue	000 ⇔ 255	0–100%
6	Blue	000 ⇔ 255	0–100%
7	Lime	000 ⇔ 255	0–100%
8	Strobe	000 ⇔ 010	No Function
		011 ⇔ 255	Strobe, slow to fast
9	Color Temperature	000 ⇔ 255	Refer to the Preset Color Temperature Chart
10	Hue	000 ⇔ 000	No Function
		001 ⇔ 255	Adjusts +/- green
11	Dimmer Speed	000 ⇔ 051	No Function
		052 ⇔ 101	Dimmer speed mode off (Hold 3 sec, override menu and change)
		102 ⇔ 152	Dimmer speed mode 1 (Hold 3 sec, override menu and change)
		153 ⇔ 203	Dimmer speed mode 2 (Hold 3 sec, override menu and change)
		204 ⇔ 255	Dimmer speed mode 3 (Hold 3 sec, override menu and change)

8CH

Channel	Function	Value	Percent/Setting
1	Dimmer	000 ⇔ 255	0–100%
2	Red	000 ⇔ 255	0–100%
3	Orange	000 ⇔ 255	0–100%
4	Green	000 ⇔ 255	0–100%
5	Royal Blue	000 ⇔ 255	0–100%
6	Blue	000 ⇔ 255	0–100%
7	Lime	000 ⇔ 255	0–100%
8	Strobe	000 ⇔ 255	0–100%
		000 ⇔ 255	0–100%

6CH

Channel	Function	Value	Percent/Setting
1	Red	000 ⇔ 255	0–100%
2	Orange	000 ⇔ 255	0–100%
3	Green	000 ⇔ 255	0–100%
4	Royal Blue	000 ⇔ 255	0–100%
5	Blue	000 ⇔ 255	0–100%
6	Lime	000 ⇔ 255	0–100%

5CH

Channel	Function	Value	Percent/Setting
1	Dimmer	000 ⇔ 255	0–100%
2	Dimmer Fine	000 ⇔ 255	0–100%
3	Color Temperature	000 ⇔ 255	Refer to the Preset Color Temperature Chart
4	Hue	000 ⇔ 000	No Function
		001 ⇔ 255	Adjusts +/- green
5	Strobe	000 ⇔ 255	0–100%
		000 ⇔ 255	0–100%

3CH

Channel	Function	Value	Percent/Setting
1	Dimmer	000 ⇔ 255	0–100%
2	Color Temperature	000 ⇔ 255	Refer to the Preset Color Temperature Chart
3	Hue	000 ⇔ 000	No Function
		001 ⇔ 255	Adjusts +/- green

5. Technical Information

Product Maintenance

To maintain optimum performance and minimize wear, clean this product frequently. Usage and environment are contributing factors in determining the cleaning frequency.

Clean this product at least twice a month. Dust build-up reduces light output performance and can cause overheating. This can lead to reduced light source life and increased mechanical wear.

To clean the product:

1. Unplug the product from power.
2. Wait until the product is at room temperature.
3. Use a vacuum (or dry compressed air) and a soft brush to remove dust collected on the external vents.
4. Clean all transparent surfaces with a mild soap solution, ammonia-free glass cleaner, or isopropyl alcohol.
5. Apply the solution directly to a soft, lint free cotton cloth or a lens cleaning tissue.
6. Softly drag any dirt or grime to the outside of the transparent surface.
7. Gently polish the transparent surfaces until they are free of haze and lint.



Always dry the transparent surfaces carefully after cleaning them.

6. Technical Specifications

Dimensions and Weight

Length	Width	Height	Weight
25 in (636 mm)	13.52 in (344 mm)	23 in (590 mm)	16.6 lb (7.5 kg)

Note: Dimensions in inches rounded to the nearest decimal digit.

Power

Power Supply Type	Range	Voltage Selection
Switching (internal)	100 to 240 VAC, 50/60 Hz	Auto-ranging

Parameter	120 V, 60 Hz	208 V, 60 Hz	230 V, 50 Hz
Consumption	239 W	243 W	245 W
Operating Current	2 A	1.2 A	1 A
Power linking current (products)	9 A (5 products)	7 A (9 products)	7.4 A (10 products)
Fuse	T 3.15 A, 250 V	T 3.15 A, 250 V	T 3.15 A, 250 V

Power I/O	U.S./Worldwide	UK/Europe
Power input connector	Neutrik® powerCON® A	Neutrik® powerCON® A
Power output connector	Neutrik® powerCON® B	Neutrik® powerCON® B
Power Cord plug	Edison (U.S.)	Local Plug

Light Source

Type	Power	Lifespan
LED	3 W	50,000 hours

Color	Quantity	Current
Red	6	960 mA
Orange/Red	15	960 mA
Green	9	960 mA
Blue	12	960 mA
Royal Blue	10	960 mA
Lime	39	960 mA

Technical Specifications

Photometrics

Parameter	14° Lens	19° Lens	26° Lens	36° Lens	50° Lens	15°–30° Lens (Narrow/Wide)	25°–50° Lens (Narrow/Wide)		
Illuminance @ 5 m	7,560 lux	3,765 lux	2,210 lux	1,296 lux	537 lux	6,990 lux	1,815 lux	2,464 lux	975 lux
Beam Angle	12°	17°	22°	27°	38°	10°	22°	20°	36°
Field Angle	14°	18°	25°	33°	50°	14°	29°	22°	39°

Thermal

Maximum External Temperature	Cooling System
113 °F (45 °C)	Fan-assisted convection

DMX

I/O Connector	Channel Range
3- or 5-pin XLR	3, 5, 6, 8, 11, 15, or 17

Ordering

Product Name	Item Name	Item Code	UPC Number
Ovation E-930VW	OVATIONE930VW	03121411	781462217594

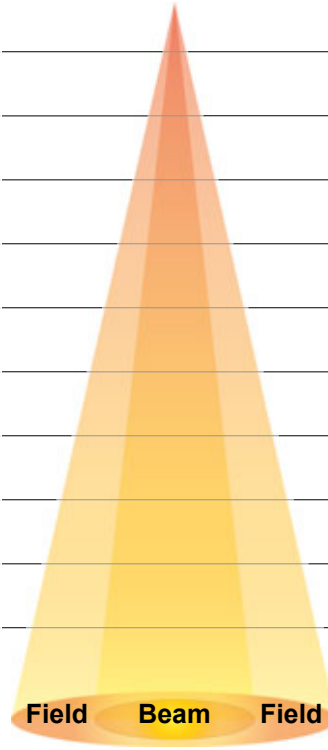


UL 1573
CSA C22.2 No. 166
E113093

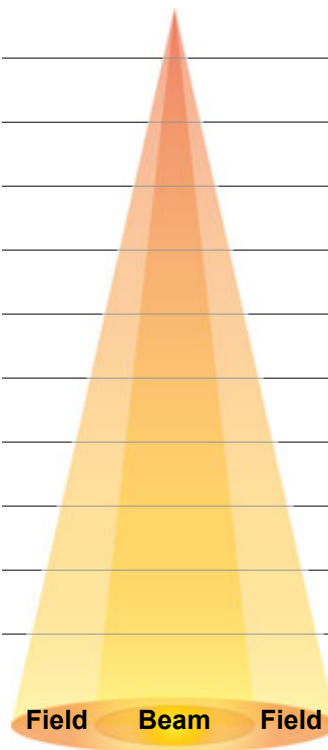


Photometric Charts

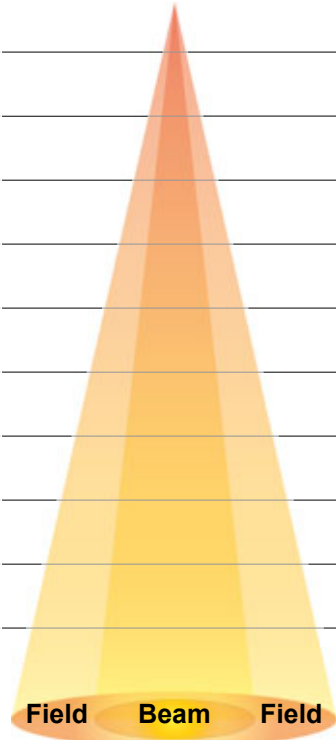
Distance	14° Lens		Ovation E-930VW (Imperial)		19° Lens	
	Beam Diameter	Field Diameter	Footcandle	Footcandle	Beam Diameter	Field Diameter
15 ft	3.15 ft	3.68 ft	840	418	4.48 ft	4.75 ft
20 ft	4.20 ft	4.91 ft	473	235	5.98 ft	6.34 ft
30 ft	6.31 ft	7.37 ft	210	105	8.97 ft	9.50 ft
40 ft	8.41 ft	9.82 ft	118	59	11.96 ft	12.67 ft
50 ft	10.51 ft	12.28 ft	76	38	14.95 ft	15.84 ft
75 ft	15.77 ft	18.42 ft	53	17	22.42 ft	23.76 ft
100 ft	21.02 ft	24.56 ft	19	9	29.89 ft	31.68 ft
125 ft	26.28 ft	30.70 ft	12	6	37.36 ft	39.60 ft
150 ft	31.53 ft	36.84 ft	8	4	44.84 ft	47.52 ft



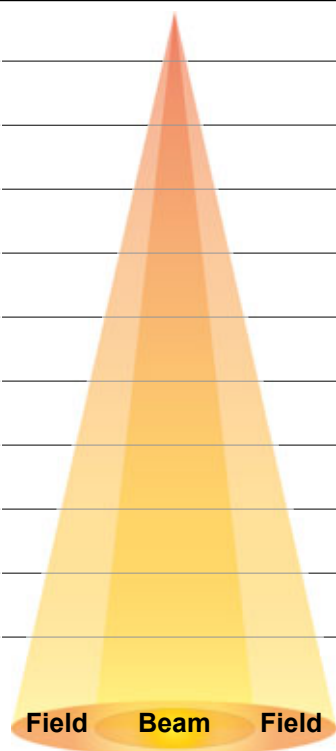
Distance	14° Lens		Ovation E-930VW (Metric)		19° Lens	
	Beam Diameter	Field Diameter	Lux	Lux	Beam Diameter	Field Diameter
1 m	0.21 m	0.25 m	189,000	94,125	0.30 m	0.32 m
2 m	0.42 m	0.49 m	47,250	23,531	0.60 m	0.63 m
5 m	1.05 m	1.23 m	7,560	3,765	1.49 m	1.58 m
8 m	1.68 m	1.96 m	2,953	1,471	2.39 m	2.39 m
10 m	2.10 m	2.46 m	1,890	941	2.99 m	2.99 m
15 m	3.15 m	3.68 m	840	418	4.48 m	4.75 m
20 m	4.20 m	4.91 m	473	235	5.98 m	6.34 m
25 m	5.26 m	6.14 m	302	151	7.47 m	7.92 m
30 m	6.31 m	7.37 m	210	105	8.97 m	9.50 m



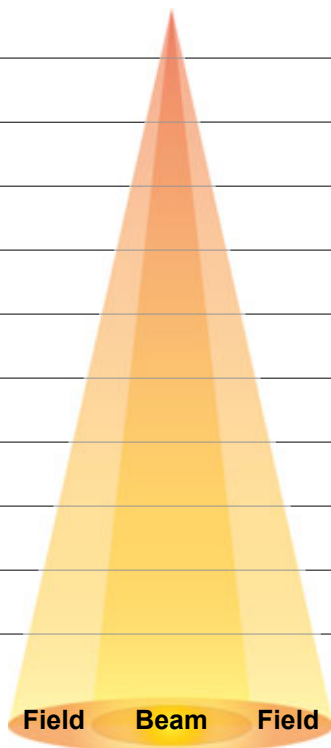
Distance	26° Lens		Ovation E-930VW (Imperial)		36° Lens	
	Beam Diameter	Field Diameter	Footcandle	Footcandle	Beam Diameter	Field Diameter
15 ft	5.38 ft	6.65 ft	246	144	7.20 ft	8.89 ft
20 ft	7.78 ft	8.87 ft	138	81	9.60 ft	11.85 ft
30 ft	11.66 ft	13.30 ft	61	36	14.40 ft	17.77 ft
40 ft	15.55 ft	17.74 ft	35	20	19.21 ft	23.70 ft
50 ft	19.44 ft	22.17 ft	22	13	24.01 ft	29.62 ft
75 ft	29.16 ft	33.25 ft	10	6	36.01 ft	44.43 ft
100 ft	38.88 ft	44.34 ft	6	3	48.02 ft	59.24 ft
125 ft	48.60 ft	55.42 ft	4	2	60.02 ft	74.05 ft
150 ft	58.31 ft	66.51 ft	2	1	72.02 ft	88.86 ft



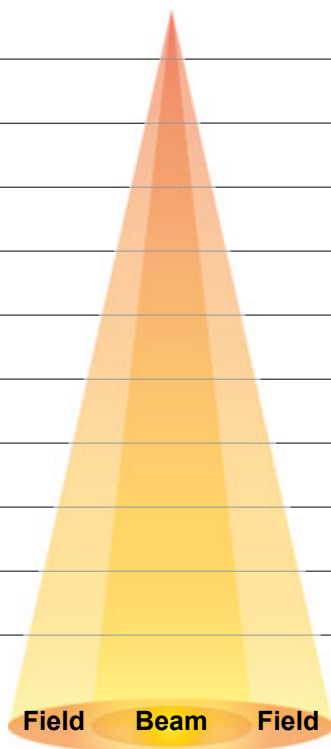
Distance	26° Lens		Ovation E-930VW (Metric)		36° Lens	
	Beam Diameter	Field Diameter	Lux	Lux	Beam Diameter	Field Diameter
1 m	0.39 m	0.44 m	55,250	32,400	0.48 m	0.59 m
2 m	0.78 m	0.89 m	13,813	8,100	0.96 m	1.18 m
5 m	1.94 m	2.22 m	2,210	1,296	2.40 m	2.96 m
8 m	3.11 m	3.55 m	863	506	3.84 m	4.74 m
10 m	3.89 m	4.43 m	553	324	4.80 m	5.92 m
15 m	5.83 m	6.65 m	246	144	7.20 m	8.89 m
20 m	7.78 m	8.87 m	138	81	9.60 m	11.85 m
25 m	9.72 m	11.08 m	88	52	12.00 m	14.81 m
30 m	11.66 m	13.30 m	61	36	14.40 m	17.77 m



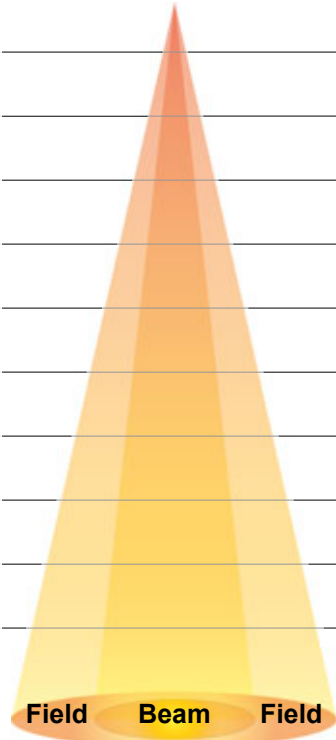
Distance	50° Lens		Ovation E-930VW (Imperial)
	Beam Diameter	Field Diameter	Footcandle
15 ft	10.33 ft	13.99 ft	60
20 ft	13.77 ft	18.65 ft	34
30 ft	20.66 ft	27.98 ft	15
40 ft	27.55ft	37.30 ft	8
50 ft	34.43 ft	46.63 ft	5
75 ft	51.65 ft	69.95 ft	2
100 ft	68.87 ft	93.26 ft	1
125 ft	86.08 ft	116.58 ft	1
150 ft	103.30 ft	139.89 ft	1



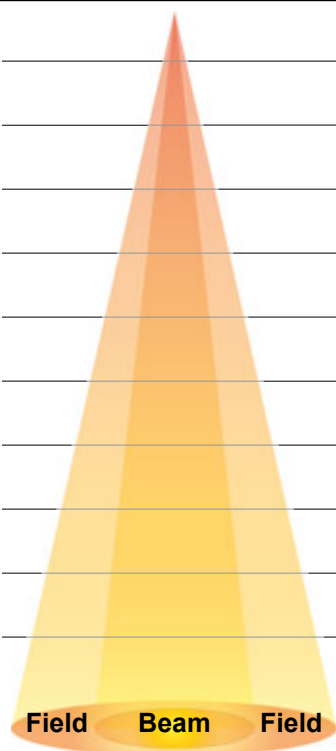
Distance	50° Lens		Ovation E-930VW (Metric)
	Beam Diameter	Field Diameter	Lux
1 m	0.69 m	0.93 m	13,425
2 m	1.38 m	1.87 m	3,356
5 m	3.44 m	4.66 m	537
8 m	5.51 m	7.46 m	210
10 m	6.89 m	9.33 m	134
15 m	10.33 m	13.99 m	60
20 m	13.77 m	18.65 m	34
25 m	17.22 m	23.32 m	21
30 m	20.66 m	27.98 m	15



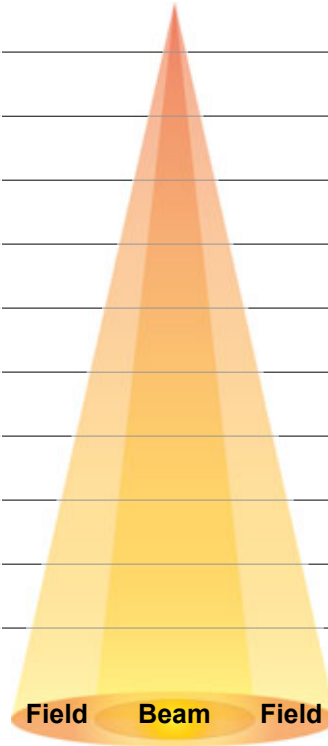
Distance	Narrow (14°)		Ovation E-930VW (15–30° Lens [Imperial])		Wide (29°)	
	Beam Diameter	Field Diameter	Footcandle	Footcandle	Beam Diameter	Field Diameter
15 ft	2.62 ft	3.68 ft	777	202	5.83 ft	7.76 ft
20 ft	3.50 ft	4.91 ft	992	113	7.78 ft	10.34 ft
30 ft	5.25 ft	7.37 ft	441	50	11.66 ft	15.52 ft
40 ft	7.00 ft	11.05ft	248	28	15.55 ft	20.69 ft
50 ft	8.75 ft	12.28 ft	159	18	19.44 ft	25.86 ft
75 ft	13.12 ft	18.42 ft	71	8	29.16 ft	38.79 ft
100 ft	17.50 ft	24.56 ft	40	5	38.88 ft	51.72 ft
125 ft	21.87 ft	30.70 ft	25	3	48.60 ft	64.65 ft
150 ft	23.62 ft	36.84 ft	18	2	58.31 ft	77.59 ft



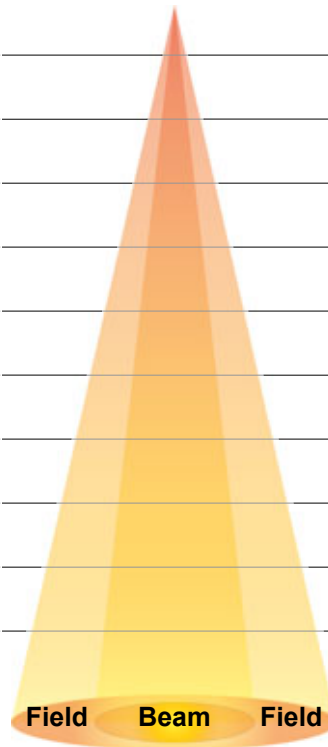
Distance	Narrow (14°)		Ovation E-930VW (15–30° Lens [Metric])		Wide (29°)	
	Beam Diameter	Field Diameter	Lux	Lux	Beam Diameter	Field Diameter
1 m	0.17 m	0.25 m	174,750	45,375	0.39 m	0.52 m
2 m	0.35 m	0.49 m	43,688	11,344	0.78 m	1.03 m
5 m	0.87 m	1.23 m	6,990	1,815	1.94 m	2.59 m
8 m	1.40 m	1.96 m	2,730	709	3.11 m	4.14 m
10 m	1.75 m	2.46 m	1,748	454	3.89 m	5.17 m
15 m	2.62 m	3.68 m	777	202	5.83 m	7.76 m
20 m	3.50 m	4.91 m	437	113	7.78 m	10.34 m
25 m	4.37 m	6.14 m	280	73	9.72 m	12.93 m
30 m	5.25 m	7.37 m	194	50	11.66 m	15.52 m



Distance	Narrow (22°)		Ovation E-930VW (25–50° Lens [Imperial])		Wide (39°)	
	Beam Diameter	Field Diameter	Footcandle	Footcandle	Beam Diameter	Field Diameter
15 ft	5.29 ft	5.83 ft	274	108	9.75 ft	10.62 ft
20 ft	7.05 ft	7.78 ft	154	61	13.00 ft	14.16 ft
30 ft	10.58 ft	11.66 ft	68	27	19.50 ft	21.25 ft
40 ft	14.11 ft	15.55 ft	39	15	25.99 ft	28.33 ft
50 ft	17.63 ft	19.44 ft	25	10	32.49 ft	35.41 ft
75 ft	26.45 ft	29.16 ft	11	4	48.74 ft	53.12 ft
100 ft	35.27 ft	38.88 ft	6	2	64.98 ft	70.82 ft
125 ft	44.08 ft	48.60 ft	4	2	81.23 ft	88.53 ft
150 ft	52.90 ft	58.31 ft	3	1	97.48 ft	106.24 ft



Distance	Narrow (22°)		Ovation E-930VW (25–50° Lens [Metric])		Wide (39°)	
	Beam Diameter	Field Diameter	Lux	Lux	Beam Diameter	Field Diameter
1 m	0.35 m	0.39 m	61,600	24,375	0.65 m	0.71 m
2 m	0.71 m	0.78 m	15,400	6,094	1.30 m	1.42 m
5 m	1.76 m	1.94 m	2,464	975	3.25 m	3.54 m
8 m	2.82 m	3.11 m	963	381	5.20 m	5.67 m
10 m	3.53 m	3.89 m	616	244	6.50 m	7.08 m
15 m	5.29 m	5.83 m	274	108	9.75 m	10.62 m
20 m	7.05 m	7.78 m	154	61	13.00 m	14.16 m
25 m	8.82 m	9.72 m	99	39	16.25 m	17.71 m
30 m	10.58 m	11.66 m	68	27	19.50 m	21.25 m



Returns

Send the product prepaid, in the original box, and with the original packing and accessories. Chauvet will not issue call tags.

Call Chauvet and request a Return Merchandise Authorization (RMA) number before shipping the product. Be prepared to provide the model number, serial number, and a brief description of the cause(s) for the return.

To submit a service request online, go to www.chauvetprofessional.com/service-request.

Clearly label the package with an RMA number. Chauvet will refuse any product returned without an RMA number.



Write the RMA number on a properly affixed label. DO NOT write the RMA number directly on the box.

Once you have the RMA number, provide the following information on a piece of paper and place it inside the box:

- Your name
- Your address
- Your phone number
- RMA number
- A brief description of the problem

Be sure to pack the product properly. Any shipping damage resulting from inadequate packaging will be your responsibility. FedEx packing or double-boxing are recommended.



Chauvet reserves the right to use its own discretion to repair or replace returned product(s).

CONTACT US

General Information	Technical Support
Chauvet World Headquarters	
Address: 5200 NW 108th Ave. Sunrise, FL 33351 Voice: (954) 577-4455 Fax: (954) 929-5560 Toll Free: (800) 762-1084	Voice: (844) 393-7575 Fax: (954) 756-8015 Email: chauvetcs@chauvetlighting.com Website: www.chauvetprofessional.com
Chauvet Europe Ltd	
Address: Unit 1C Brookhill Road Industrial Estate Pinxton, Nottingham, UK NG16 6NT Voice: +44 (0) 1773 511115 Fax: +44 (0) 1773 511110	Email: UKtech@chauvetlighting.eu Website: www.chauvetprofessional.eu
Chauvet Europe BVBA	
Address: Stokstraat 18 9770 Kruishoutem Belgium Voice: +32 9 388 93 97	Email: BNLtech@chauvetlighting.eu Website: www.chauvetprofessional.eu
Chauvet France	
Address: 3, Rue Ampère 91380 Chilly-Mazarin France Voice: +33 1 78 85 33 59	Email: FRtech@chauvetlighting.fr Website: www.chauvetprofessional.eu
Chauvet Germany	
Address: Bruno-Bürgel-Str. 11 28759 Bremen Germany Voice: +49 421 62 60 20	Email: DEtech@chauvetlighting.de Website: www.chauvetprofessional.eu
Chauvet Mexico	
Address: Av. de las Partidas 34 - 3B (Entrance by Calle 2) Zona Industrial Lerma Lerma, Edo. de México, CP 52000 Voice: +52 (728) 690-2010	Email: servicio@chauvet.com.mx Website: www.chauvetprofessional.mx

Visit the applicable website above to verify our contact information and instructions to request support. Outside the U.S., United Kingdom, Ireland, Mexico, France, Germany, or Benelux, contact the dealer of record.