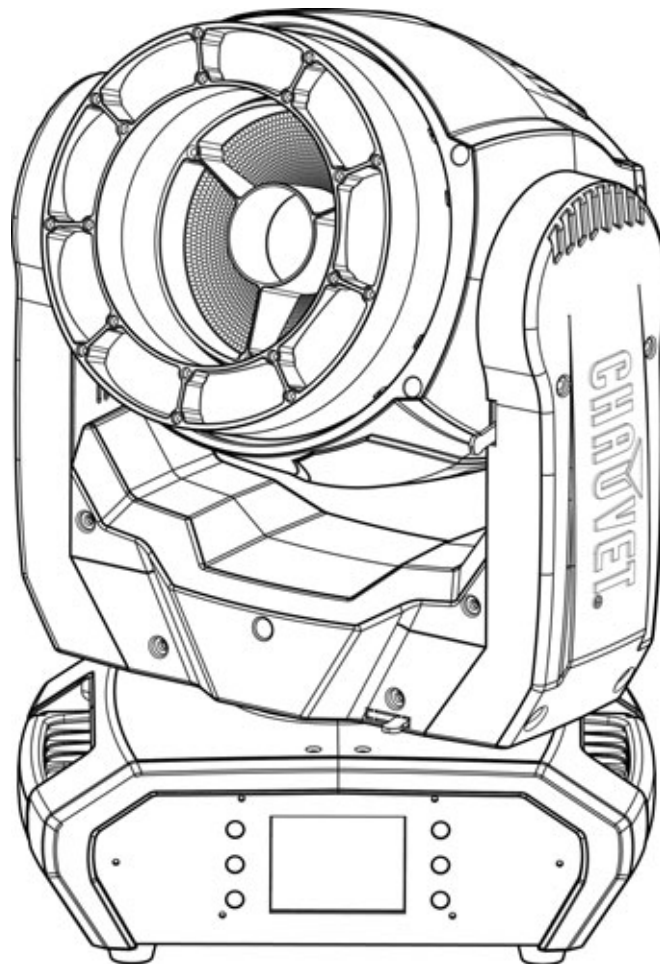


MAVERICK

MK PYXIS

Quick Reference Guide

English	EN
Español	ES
Français	FR
Nederlands	NL



About This Guide

The Maverick MK Pyxis Quick Reference Guide (QRG) has basic product information such as connection, mounting, menu options, and DMX values. Download the User Manual from www.chauvetprofessional.com for more details.

Disclaimer

The information and specifications contained in this QRG are subject to change without notice.

Safety Notes

These Safety Notes include important information about installation, use, and maintenance.

- DO NOT open this product. It contains no user-serviceable parts.
- DO NOT look at the light source when the product is on.
- To eliminate unnecessary wear and improve its lifespan, during periods of non-use completely disconnect the product from power via breaker or by unplugging it.
- CAUTION: When transferring product from extreme temperature environments, (e.g. cold truck to warm humid ballroom) condensation may form on the internal electronics of the product. To avoid causing a failure, allow product to fully acclimate to the surrounding environment before connecting it to power.
- CAUTION: This product's housing may be hot when lights are operating.
- Mount this product in a location with adequate ventilation, at least 20 in (50 cm) from adjacent surfaces.
- DO NOT leave any flammable material within 50 cm of this product while operating or connected to power.
- USE a safety cable when mounting this product overhead.
- DO NOT operate this product outdoors or in any location where dust, excessive heat, water, or humidity may affect it. (IP20)
- DO NOT operate this product if the housing, lenses, or cables appear damaged.
- DO NOT connect this product to a dimmer or rheostat.
- ONLY connect this product to a grounded and protected circuit.
- ONLY use the hanging/mounting bracket or the handles to carry this product.
- In the event of a serious operating problem, stop using immediately.
- The maximum ambient temperature is 113 °F (45 °C). Do not operate this product at higher temperatures.

Contact

Outside the U.S., United Kingdom, Ireland, Mexico, or Benelux contact your distributor to request support or return a product. Visit www.chauvetprofessional.com for contact information.

What is Included

- Maverick MK Pyxis
- Seetronic Powerkon Power Cord
- 2 Omega Brackets with Mounting Hardware
- Warranty Card
- Quick Reference Guide

AC Power

This product has an auto-ranging power supply that can work with an input voltage range of 100–240 VAC, 50/60 Hz.

AC Plug

Connection	Wire (U.S.)	Wire (Europe)	Screw Color
AC Live	Black	Brown	Yellow/Brass
AC Neutral	White	Blue	Silver
AC Ground	Green/Yellow	Green/Yellow	Green



To eliminate wear and improve its lifespan, during periods of non-use completely disconnect the product from power via breaker or by unplugging it.

Power Linking

You can link up to 6 Maverick MK Pyxis products at 120 V, 11 products at 208 V, or 12 products at 230 V. Never exceed this number. Power linking cords can be purchased separately.

Replacing the Fuse

1. Disconnect this product from power.
2. Using a flat-head screwdriver, unscrew the fuse holder cap from the housing.
3. Remove blown fuse and replace with a good fuse of the same type and rating.
4. Screw the fuse holder cap back in place and reconnect power.

Signal Connections

You can link the Maverick MK Pyxis to a controller or controller software using a DMX connection, an Ethernet connection, or both. If using other Art-Net™, sACN, or Kling-Net-compatible products with the Maverick MK Pyxis, you can control each individually on a single network. See the User Manual for information about how to connect and configure the product for these signals.

Control Personalities

The Maverick MK Pyxis uses DMX, Art-Net™, sACN, WDMX, and Kling-Net for its control personalities:

Single Control	Dual Control Movement	Dual Control Pixels
Basic (26-channel)	Basic (13-channel)	Basic (30-channel)
Standard (66-channel)	Standard (30-channel)	Standard (40-channel)
Advanced (113-channel)	Advanced (41-channel)	Advanced (80-channel)
Tour (131-channel)	Uses DMX, Art-Net™, or sACN	Uses DMX, Art-Net™, sACN, or Kling-Net
Uses DMX, Art-Net™, sACN, or WDMX		



In Dual Control mode, the Movement protocol and the Pixels protocol cannot be the same.

DMX Connection

The Maverick MK Pyxis will work with a DMX controller using a 3- or 5-pin DMX data connection. A DMX Primer is available from www.chauvetprofessional.com.

Art-Net™ Connection

Art-Net™ is an Ethernet protocol that uses TCP/IP which transfers a large amount of DMX512 data using an Neutrik® etherCON® RJ45 connection over a large network. An Art-Net™ protocol document is available from www.chauvetprofessional.com. Chauvet Professional recommends using unicast Art-Net™ for best results.

Art-Net™ designed by and copyright Artistic Licence Holdings Ltd.

sACN Connection

Also known as ANSI E1.31, Streaming-ACN is an Ethernet protocol that uses the layering and formatting of Architecture for Control Networks to transport DMX512 data over IP or any other ACN compatible network. ACN is maintained by the Professional Lighting and Sound Association (PLASA).

Kling-Net Connection

Kling-Net is a network protocol that allows auto configuration of display devices using a Neutrik® etherCON® RJ45 Ethernet connection. Refer to the ArKaos software manual for detailed instructions on programming this product.



For smooth-running operation, ArKaos Kling-Net requires a gigabit (1000 Mbps) Ethernet card and network router.



ArKaos Kling-Net will only run Standard Pixels or Basic Pixels mode.

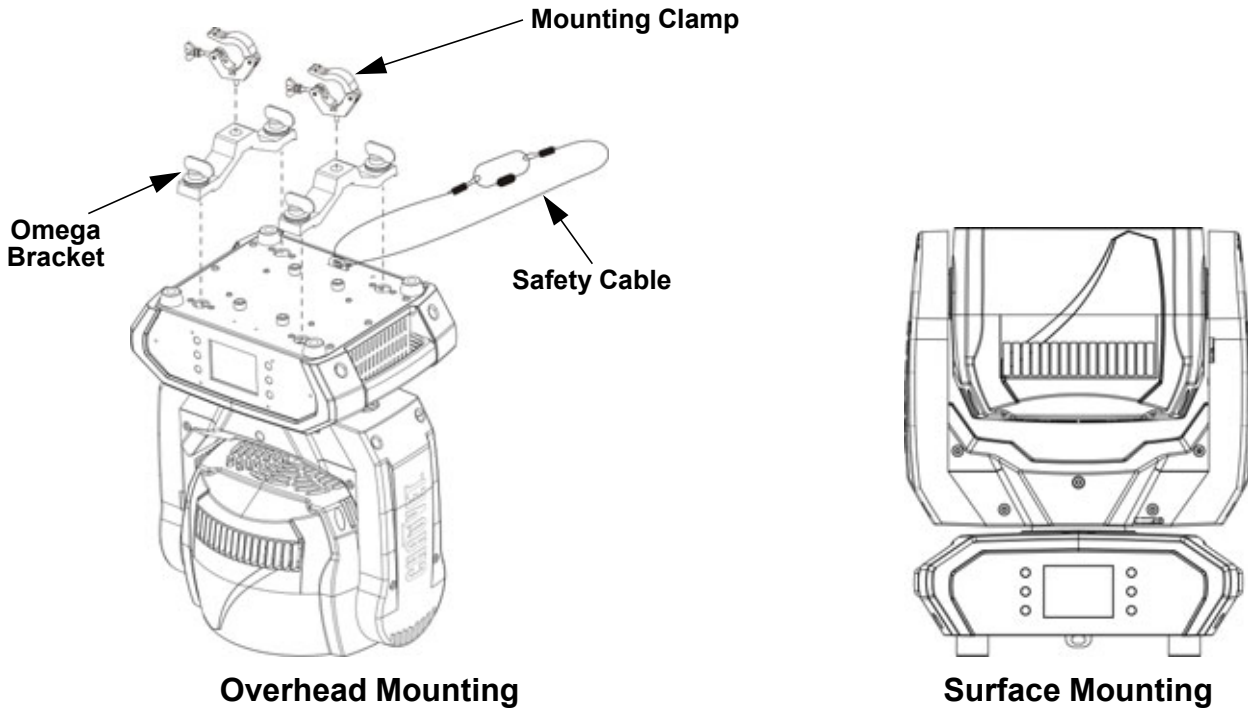
RDM (Remote Device Management)

Remote Device Management, or RDM, is a standard for allowing DMX-enabled devices to communicate bi-directionally along existing DMX cabling. The Maverick MK Pyxis supports RDM protocol that allows feedback to monitor temperature and changes to menu options. Download the User Manual from www.chauvetprofessional.com for more details.

Mounting

Before mounting this product, read the [Safety Notes](#). Use at least two mounting points per product. Make sure the mounting clamps are capable of supporting the weight of the product. For our CHAUVET Professional line of mounting clamps, go to <http://trusst.com/products>.

Mounting Diagram



Touchscreen Control Panel

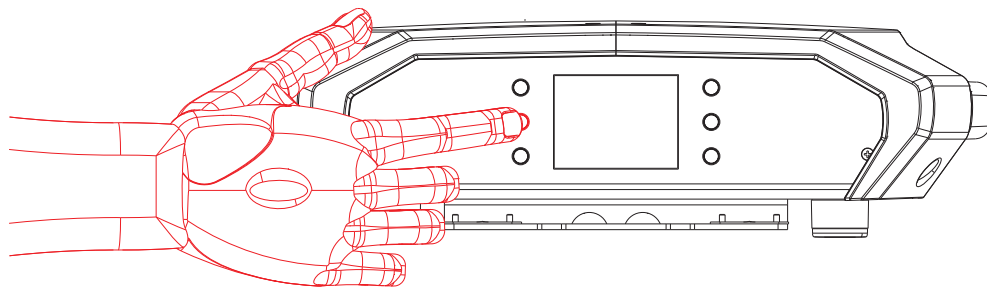
The Maverick MK Pyxis has a touchscreen display as well as 6 control buttons. The touchscreen can be locked and calibrated through the **Setup** options in the menu.

Control Panel Description

Button	Function
< ↑ >	Navigates upwards through the menu list or increases the numeric value when in a function
< ≡ >	Exits from the current menu or function
< ↓ >	Navigates downwards through the menu list or decreases the numeric value when in a function
< ← >	Navigates leftwards through the menu list
< ↵ >	Enables the currently displayed menu or sets the currently selected value into the selected function
< → >	Navigates rightwards through the menu list

Battery Powered Display

Press and hold until menu screen appears (approx 15 sec.).



Menu Map

Programming Levels				Description		
Control Settings				Control Settings Main Level		
Single Control	DMX	Personality	Basic	Sets the DMX personality (see Control Personalities)		
			Standard			
			Advanced			
			Tour			
	Start Address			0–512	Sets the DMX starting address	
		ArtNet	Personality	Basic	Sets the Art-Net™ personality (see Control Personalities)	
				Standard		
				Advanced		
	Tour					
	Start Address			0–512	Sets the Art-Net™ starting address	
		Universe			0–255	Sets the Art-Net™ universe
			sACN	Personality	Basic	Sets the sACN personality (see Control Personalities)
					Standard	
	Advanced					
	Tour					
	Start Address			0–512	Sets the sACN starting address	
Universe				0–255	Sets the sACN universe	
		WDMX	Personality	Basic	Sets the WDMX personality (see Control Personalities)	
				Standard		
	Advanced					
Tour						
Start Address			0–512	Sets the WDMX starting address		
	Control Settings	DMX	Personality	Basic	Sets the DMX personality (see Control Personalities)	
				Standard		
				Advanced		
Start Address						0–512
ArtNet		Personality	Basic	Sets the Art-Net™ personality (see Control Personalities)		
			Standard			
			Advanced			
			Start Address			
Universe			0–255	Sets the Art-Net™ universe		
	sACN	Personality	Basic	Sets the sACN personality (see Control Personalities)		
			Standard			
			Advanced			
Start Address					0–512	Sets the sACN starting address
Universe			0–255	Sets the sACN universe		
	Dual Control	DMX	Personality	Basic	Sets the DMX personality (see Control Personalities)	
				Standard		
				Advanced		
Start Address						0–512
ArtNet		Personality	Basic	Sets the Art-Net™ personality (see Control Personalities)		
			Standard			
			Advanced			
			Start Address			
Universe			0–255	Sets the Art-Net™ universe		
	sACN	Personality	Basic	Sets the sACN personality (see Control Personalities)		
			Standard			
			Advanced			
Start Address					0–512	Sets the sACN starting address
Universe			0–255	Sets the sACN universe		
	KlingNet	Personality	Basic	Sets the Kling-Net personality (see Control Personalities)		
			Standard			

QUICK REFERENCE GUIDE



EN

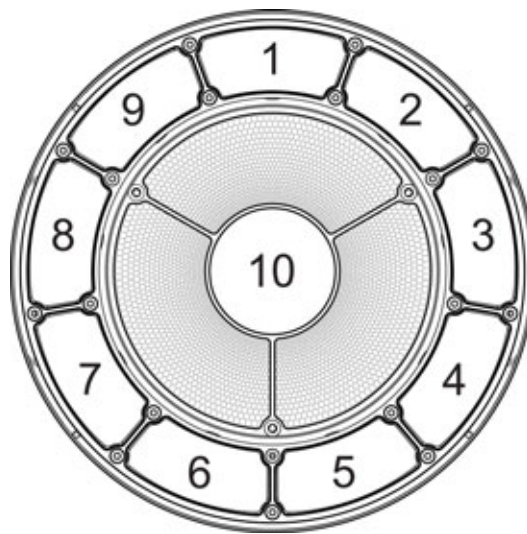
Programming Levels			Description	
Test Mode			Test Mode Main Level	
Test Mode	Auto Test		Auto test all functions	
	Manual Test	Pan	000-255	Manually control and test all settings through the control panel
		Tilt		
		P/T Speed		
		Red		
		Green		
		Blue		
		White		
		CTC		
		Color		
		Pattern		
		LED Macro		
		LED Ma. Speed		
		LED Ma. Fade		
		Background		
		Background Dim.		
		Dimmer		
		Shutter		
Function				
Zoom				
Setup			Setup Main Level	
Network Settings	IP Mode	Manual	Manually set IP address	
		DHCP	Network sets IP address	
		Static	Product sets IP address	
	IP	-----	Sets IP address in Manual mode	
	SubMask	-----	Sets Subnet Mask in Manual mode	
Pan Reverse	NO		Normal pan	
	YES		Reversed pan	
Tilt Reverse	NO		Normal tilt	
	YES		Reversed tilt	
Zoom Reverse	NO		Normal Zoom	
	YES		Reversed Zoom	
Screen Reverse	NO		Normal display	
	YES		Inverted display	
	AUTO		Automatic display orientation	
Pan Angle	540		540° pan range	
	360		360° pan range	
	180		180° pan range	
Tilt Angle	270		270° tilt range	
	180		180° tilt range	
	90		90° tilt range	
BL. O. P/T Move	NO		Do not black out while pan/tilt	
	YES		Blackout while pan/tilt	
Calibration	NO		Keep current settings	
	YES		Calibrate touchscreen	
Touchscreen Lock	NO		Display responds to touch	
	YES		Display does not respond to touch	
Lock Screen	NO		Lock the buttons and touch screen	
	YES		Passcode: 0920	
Swap XY	NO		Do not swap pan and tilt	
	YES		Pan controls tilt, tilt controls pan	
WDMX Reset	NO		Do not reset WDMX	
	YES		Reset WDMX	

Programming Levels			Description	
Setup (cont.)			Setup Main Level (cont.)	
Setup (cont.)	Backlight Timer	30S	Display turns off after 30 seconds	
		1M	Display turns off after 1 minute	
		5M	Display turns off after 5 minutes	
		ON	Display stays on	
	Loss of Data	Hold	Holds last signal received	
		Close	Blacks out fixture	
	Fans	Auto	Fan speed according to product temperature	
		Full	Fan speed set on high	
		ECO	Quiet mode	
	C Mixing Mode	RGBW	RGBW mode (additive)	
		CMY	CMY mode (subtractive)	
	Dimmer Curve	Linear	Set the dimmer curve	
		Square		
		I Squa		
		SCurve		
	Dimmer Speed	Smooth	Set the dimmer speed	
		Fast		
	PWM Option	600Hz	Sets the Pulse Width Modulation frequency	
		1200Hz		
		2000Hz		
4000Hz				
6000Hz				
15000Hz				
Color Balance	Red	000–255	Sets red LED maximum value	
	Green		Sets green LED maximum value	
	Blue		Sets blue LED maximum value	
	White		Sets white LED maximum value	
Preset Select	PRESET A	Recorded preset menu options		
	PRESET B			
	PRESET C			
Preset Sync	NO	Allows recorded preset menu options to be transferred to other Maverick MK Pyxis in the DMX daisy chain		
	YES			
Reset Function	Pan/Tilt	NO	Reset individual functions or all functions from start-up	
		YES		
	Zoom	NO		
		YES		
All	NO			
	YES			
Factory Settings	NO	Reset to factory default settings		
	YES			
Sys Info			Sys Info Main Level	
Sys Info	Ver	V_	Shows firmware version	
	Running Mode	---	Shows current running mode	
	Address	---	Shows current starting address	
	Temperature	---	Shows current product temperature in °C	
	Fixture Hours	-----	Shows number of hours product has been powered on	
	Ip	-----	Shows current IP address	
	SubMask	-----	Shows current Subnet Mask	
	MAC	-----	Shows current MAC address	
	Fan Information	Head Fan1 Speed	----	Shows speed of head fans in rpm
		Head Fan2 Speed	----	
Error Information	No Error!*		Shows any errors, or No Error!	

Programming Levels		Description
Sys Info (cont.)		Sys Info Main Level (cont.)
Sys Info (cont.)	Channel Information	---
	Frequency	
	Pan	
	Pan Fine	
	Tilt	
	Tilt Fine	
	Pan Rotation	
	Tilt Rotation	
	P/T Speed	
	CTC	
	Color (1-2)	
	Pattern	
	LED Macro	
	LED Ma. Speed	
	LED Ma. Fine	
	Background	
	Background Dim.	
	Bg. Dim. Fine	
	Dimmer (A-B)	
	Dimmer Fine (A-B)	
	Shutter (1-2)	
	Zoom	
	Function	
	Red (all, 1-10)	
	Red Fine (all, 1-10)	
	Green (all, 1-10)	
	Green fine (all, 1-10)	
	Blue (all, 1-10)	
	Blue Fine (all, 1-10)	
	White (all, 1-10)	
White Fine (all, 1-10)		
Dimmer (1-10)		
Dimmer Fine (1-10)		

Shows all current values from input signals, 000-255

Zones for Pixel Control



Single Control Values

Single Control: Tour Mode (131-channel)

Channel	Function	Value	Percent/Setting
1	Pan	000 ⇔ 255	0–100%
2	Pan Fine	000 ⇔ 255	0–100%
3	Tilt	000 ⇔ 255	0–100%
4	Tilt Fine	000 ⇔ 255	0–100%
5	Continuous Pan	000	No function
		001 ⇔ 127	Continuous pan, fast to slow
		128	No function
		129 ⇔ 255	Reverse continuous pan, slow to fast
6	Continuous Tilt	000	No function
		001 ⇔ 127	Continuous tilt, fast to slow
		128	No function
		129 ⇔ 255	Reverse continuous tilt, slow to fast
7	Pan/Tilt Speed	000 ⇔ 255	Fast to slow
8	CTC	000	No function
		001 ⇔ 255	Color temperature, 2800–10000 K
9	Ring Color	000	No function
		001 ⇔ 002	2700K R = 156 G = 118 B = 0 W = 63
		003 ⇔ 004	3200K R = 156 G = 141 B = 5 W = 89
		005 ⇔ 006	4200K R = 156 G = 141 B = 14 W = 255
		007 ⇔ 008	5600K R = 156 G = 207 B = 54 W = 255
		009 ⇔ 010	8000K R = 130 G = 255 B = 96 W = 255
		011	Blue R = 0 G = 0 B = 255 W = 0
		012 ⇔ 048	+ Green R = 0 G = 0–255 B = 255 W = 0
		049	Cyan R = 0 G = 255 B = 255 W = 0
		050 ⇔ 086	- Blue R = 0 G = 255 B = 255–0 W = 0
		087	Green R = 0 G = 255 B = 0 W = 0
		088 ⇔ 124	+ Red R = 0–255 G = 255 B = 0 W = 0
		125	Yellow R = 255 G = 255 B = 0 W = 0
		126 ⇔ 162	- Green R = 255 G = 255–0 B = 0 W = 0
		163	Red R = 255 G = 0 B = 0 W = 0
		164 ⇔ 200	+ Blue R = 255 G = 0 B = 0–255 W = 0
		201	Magenta R = 255 G = 0 B = 255 W = 0
		202 ⇔ 238	- Red R = 255–0 G = 0 B = 255 W = 0
		239	Blue R = 0 G = 0 B = 255 W = 0
		240 ⇔ 247	Color fade, fast to slow
248 ⇔ 255	Color snap, fast to slow		
10	Beam Color	000	No function
		001 ⇔ 002	2700K R = 156 G = 118 B = 0 W = 63
		003 ⇔ 004	3200K R = 156 G = 141 B = 5 W = 89
		005 ⇔ 006	4200K R = 156 G = 141 B = 14 W = 255
		007 ⇔ 008	5600K R = 156 G = 207 B = 54 W = 255
		009 ⇔ 010	8000K R = 130 G = 255 B = 96 W = 255
		011	Blue R = 0 G = 0 B = 255 W = 0
		012 ⇔ 048	+ Green R = 0 G = 0–255 B = 255 W = 0
		049	Cyan R = 0 G = 255 B = 255 W = 0
		050 ⇔ 086	- Blue R = 0 G = 255 B = 255–0 W = 0
		087	Green R = 0 G = 255 B = 0 W = 0
		088 ⇔ 124	+ Red R = 0–255 G = 255 B = 0 W = 0
		125	Yellow R = 255 G = 255 B = 0 W = 0
		126 ⇔ 162	- Green R = 255 G = 255–0 B = 0 W = 0
		163	Red R = 255 G = 0 B = 0 W = 0
		164 ⇔ 200	+ Blue R = 255 G = 0 B = 0–255 W = 0

QUICK REFERENCE GUIDE



EN

Channel	Function	Value	Percent/Setting
10	Beam Color	201	Magenta R = 255 G = 0 B = 255 W = 0
		202 ⇄ 238	- Red R = 255-0 G = 0 B = 255 W = 0
		239	Blue R = 0 G = 0 B = 255 W = 0
		240 ⇄ 247	Color fade, fast to slow
		248 ⇄ 255	Color snap, fast to slow
11	Gobo	000	No function
		001 ⇄ 255	Gobos (indexed)
12	LED Macro / Auto Program	000 ⇄ 015	No function
		016 ⇄ 135	LED macros
		136 ⇄ 255	Auto programs
13	LED Macro / Auto Program Speed	000 ⇄ 127	Auto speed, fast to slow clockwise
		128	Hold
		129 ⇄ 255	Auto speed, slow to fast counter-clockwise
14	LED Built-in Delay	000 ⇄ 255	Fast to slow
15	Background Color	000	No function
		001 ⇄ 002	2700K R = 156 G = 118 B = 0 W = 63
		003 ⇄ 004	3200K R = 156 G = 141 B = 5 W = 89
		005 ⇄ 006	4200K R = 156 G = 141 B = 14 W = 255
		007 ⇄ 008	5600K R = 156 G = 207 B = 54 W = 255
		009 ⇄ 010	8000K R = 130 G = 255 B = 96 W = 255
		011	Blue R = 0 G = 0 B = 255 W = 0
		012 ⇄ 048	+ Green R = 0 G = 0-255 B = 255 W = 0
		049	Cyan R = 0 G = 255 B = 255 W = 0
		050 ⇄ 086	- Blue R = 0 G = 255 B = 255-0 W = 0
		087	Green R = 0 G = 255 B = 0 W = 0
		088 ⇄ 124	+ Red R = 0-255 G = 255 B = 0 W = 0
		125	Yellow R = 255 G = 255 B = 0 W = 0
		126 ⇄ 162	- Green R = 255 G = 255-0 B = 0 W = 0
		163	Red R = 255 G = 0 B = 0 W = 0
		164 ⇄ 200	+ Blue R = 255 G = 0 B = 0-255 W = 0
		201	Magenta R = 255 G = 0 B = 255 W = 0
		202 ⇄ 238	- Red R = 255-0 G = 0 B = 255 W = 0
		239	Blue R = 0 G = 0 B = 255 W = 0
		240 ⇄ 247	Color fade, fast to slow
248 ⇄ 255	Color snap, fast to slow		
16	Background Dimmer	000 ⇄ 255	0-100%
17	Background Fine Dimmer	000 ⇄ 255	0-100%
18	Main Dimmer	000 ⇄ 255	0-100%
19	Main Fine Dimmer	000 ⇄ 255	0-100%
20	Ring Shutter	000 ⇄ 019	Off
		020 ⇄ 024	On
		025 ⇄ 069	Strobe, fast to slow
		070 ⇄ 089	Strobe 100-0%, fast to slow
		090 ⇄ 109	Strobe 0-100%, fast to slow
		110 ⇄ 129	Random strobe, fast to slow
		130 ⇄ 149	Random strobe 100-0%, fast to slow
		150 ⇄ 169	Random strobe 0-100%, fast to slow
		170 ⇄ 189	Pulse strobe, fast to slow
		190 ⇄ 209	Random pulse strobe, fast to slow
		210 ⇄ 229	Strobe 0-100-0%, fast to slow
		230 ⇄ 244	Random pulse strobe, fast to slow
		245 ⇄ 255	On

Channel	Function	Value	Percent/Setting
21	Beam Shutter	000 ⇔ 019	Off
		020 ⇔ 024	On
		025 ⇔ 069	Strobe, fast to slow
		070 ⇔ 089	Strobe 100–0%, fast to slow
		090 ⇔ 109	Strobe 0–100%, fast to slow
		110 ⇔ 129	Random strobe, fast to slow
		130 ⇔ 149	Random strobe 100–0%, fast to slow
		150 ⇔ 169	Random strobe 0–100%, fast to slow
		170 ⇔ 189	Pulse strobe, fast to slow
		190 ⇔ 209	Random pulse strobe, fast to slow
		210 ⇔ 229	Strobe 0–100–0%, fast to slow
		230 ⇔ 244	Random pulse strobe, fast to slow
245 ⇔ 255	On		
22	Zoom	000 ⇔ 255	Wide to narrow
23	Control	000 ⇔ 009	No function
		010 ⇔ 014	Blackout on Pan/Tilt
		015 ⇔ 019	Reserved for future use
		020 ⇔ 024	RGBW (additive) color mixing mode
		025 ⇔ 029	CMY (subtractive) color mixing mode
		030 ⇔ 049	Reserved for future use
		050 ⇔ 054	Pan reset
		055 ⇔ 059	Tilt reset
		060 ⇔ 064	Zoom reset
		065 ⇔ 069	Reserved for future use
		070 ⇔ 074	Reset all
		075 ⇔ 109	Reserved for future use
		110 ⇔ 114	Fast Pan/Tilt speed
		115 ⇔ 119	Slow Pan/tilt speed
		120 ⇔ 124	Slow fan mode
		125 ⇔ 129	Full fan mode
		130 ⇔ 134	Auto fan mode
135 ⇔ 139	Fast dimmer mode		
140 ⇔ 144	Slow dimmer mode		
145 ⇔ 255	Reserved for future use		
24	Main Red	000 ⇔ 255	0–100%
25	Main Fine Red	000 ⇔ 255	0–100%
26	Main Green	000 ⇔ 255	0–100%
27	Main Fine Green	000 ⇔ 255	0–100%
28	Main Blue	000 ⇔ 255	0–100%
29	Main Fine Blue	000 ⇔ 255	0–100%
30	Main White	000 ⇔ 255	0–100%
31	Main Fine White	000 ⇔ 255	0–100%
32	Dimmer 1	000 ⇔ 255	0–100%
33	Fine Dimmer 1	000 ⇔ 255	0–100%
34	Red 1	000 ⇔ 255	0–100%
35	Fine Red 1	000 ⇔ 255	0–100%
36	Green 1	000 ⇔ 255	0–100%
37	Fine Green 1	000 ⇔ 255	0–100%
38	Blue 1	000 ⇔ 255	0–100%
39	Fine Blue 1	000 ⇔ 255	0–100%
40	White 1	000 ⇔ 255	0–100%
41	Fine White 1	000 ⇔ 255	0–100%
42	Dimmer 2	000 ⇔ 255	0–100%
43	Fine Dimmer 2	000 ⇔ 255	0–100%
44	Red 2	000 ⇔ 255	0–100%

QUICK REFERENCE GUIDE



EN

Channel	Function	Value	Percent/Setting
45	Fine Red 2	000 ⇄ 255	0–100%
46	Green 2	000 ⇄ 255	0–100%
47	Fine Green 2	000 ⇄ 255	0–100%
48	Blue 2	000 ⇄ 255	0–100%
49	Fine Blue 2	000 ⇄ 255	0–100%
50	White 2	000 ⇄ 255	0–100%
51	Fine White 2	000 ⇄ 255	0–100%
52	Dimmer 3	000 ⇄ 255	0–100%
53	Fine Dimmer 3	000 ⇄ 255	0–100%
54	Red 3	000 ⇄ 255	0–100%
55	Fine Red 3	000 ⇄ 255	0–100%
56	Green 3	000 ⇄ 255	0–100%
57	Fine Green 3	000 ⇄ 255	0–100%
58	Blue 3	000 ⇄ 255	0–100%
59	Fine Blue 3	000 ⇄ 255	0–100%
60	White 3	000 ⇄ 255	0–100%
61	Fine White 3	000 ⇄ 255	0–100%
62	Dimmer 4	000 ⇄ 255	0–100%
63	Fine Dimmer 4	000 ⇄ 255	0–100%
64	Red 4	000 ⇄ 255	0–100%
65	Fine Red 4	000 ⇄ 255	0–100%
66	Green 4	000 ⇄ 255	0–100%
67	Fine Green 4	000 ⇄ 255	0–100%
68	Blue 4	000 ⇄ 255	0–100%
69	Fine Blue 4	000 ⇄ 255	0–100%
70	White 4	000 ⇄ 255	0–100%
71	Fine White 4	000 ⇄ 255	0–100%
72	Dimmer 5	000 ⇄ 255	0–100%
73	Fine Dimmer 5	000 ⇄ 255	0–100%
74	Red 5	000 ⇄ 255	0–100%
75	Fine Red 5	000 ⇄ 255	0–100%
76	Green 5	000 ⇄ 255	0–100%
77	Fine Green 5	000 ⇄ 255	0–100%
78	Blue 5	000 ⇄ 255	0–100%
79	Fine Blue 5	000 ⇄ 255	0–100%
80	White 5	000 ⇄ 255	0–100%
81	Fine White 5	000 ⇄ 255	0–100%
82	Dimmer 6	000 ⇄ 255	0–100%
83	Fine Dimmer 6	000 ⇄ 255	0–100%
84	Red 6	000 ⇄ 255	0–100%
85	Fine Red 6	000 ⇄ 255	0–100%
86	Green 6	000 ⇄ 255	0–100%
87	Fine Green 6	000 ⇄ 255	0–100%
88	Blue 6	000 ⇄ 255	0–100%
89	Fine Blue 6	000 ⇄ 255	0–100%
90	White 6	000 ⇄ 255	0–100%
91	Fine White 6	000 ⇄ 255	0–100%
92	Dimmer 7	000 ⇄ 255	0–100%
93	Fine Dimmer 7	000 ⇄ 255	0–100%
94	Red 7	000 ⇄ 255	0–100%
95	Fine Red 7	000 ⇄ 255	0–100%
96	Green 7	000 ⇄ 255	0–100%
97	Fine Green 7	000 ⇄ 255	0–100%
98	Blue 7	000 ⇄ 255	0–100%
99	Fine Blue 7	000 ⇄ 255	0–100%

Channel	Function	Value	Percent/Setting
100	White 7	000 ⇔ 255	0–100%
101	Fine White 7	000 ⇔ 255	0–100%
102	Dimmer 8	000 ⇔ 255	0–100%
103	Fine Dimmer 8	000 ⇔ 255	0–100%
104	Red 8	000 ⇔ 255	0–100%
105	Fine Red 8	000 ⇔ 255	0–100%
106	Green 8	000 ⇔ 255	0–100%
107	Fine Green 8	000 ⇔ 255	0–100%
108	Blue 8	000 ⇔ 255	0–100%
109	Fine Blue 8	000 ⇔ 255	0–100%
110	White 8	000 ⇔ 255	0–100%
111	Fine White 8	000 ⇔ 255	0–100%
112	Dimmer 9	000 ⇔ 255	0–100%
113	Fine Dimmer 9	000 ⇔ 255	0–100%
114	Red 9	000 ⇔ 255	0–100%
115	Fine Red 9	000 ⇔ 255	0–100%
116	Green 9	000 ⇔ 255	0–100%
117	Fine Green 9	000 ⇔ 255	0–100%
118	Blue 9	000 ⇔ 255	0–100%
119	Fine Blue 9	000 ⇔ 255	0–100%
120	White 9	000 ⇔ 255	0–100%
121	Fine White 9	000 ⇔ 255	0–100%
122	Dimmer 10	000 ⇔ 255	0–100%
123	Fine Dimmer 10	000 ⇔ 255	0–100%
124	Red 10	000 ⇔ 255	0–100%
125	Fine Red 10	000 ⇔ 255	0–100%
126	Green 10	000 ⇔ 255	0–100%
127	Fine Green 10	000 ⇔ 255	0–100%
128	Blue 10	000 ⇔ 255	0–100%
129	Fine Blue 10	000 ⇔ 255	0–100%
130	White 10	000 ⇔ 255	0–100%
131	Fine White 10	000 ⇔ 255	0–100%

Single Control: Advanced Mode (113-channel)

Channel	Function	Value	Percent/Setting
1	Pan	000 ⇔ 255	0–100%
2	Pan Fine	000 ⇔ 255	0–100%
3	Tilt	000 ⇔ 255	0–100%
4	Tilt Fine	000 ⇔ 255	0–100%
5	Continuous Pan	000	No function
		001 ⇔ 127	Continuous pan, fast to slow
		128	No function
		129 ⇔ 255	Reverse continuous pan, slow to fast
6	Continuous Tilt	000	No function
		001 ⇔ 127	Continuous tilt, fast to slow
		128	No function
		129 ⇔ 255	Reverse continuous tilt, slow to fast
7	Pan/Tilt Speed	000 ⇔ 255	Fast to slow
8	CTC	000	No function
		001 ⇔ 255	Color temperature, 2800–10000 K

QUICK REFERENCE GUIDE



EN

Channel	Function	Value	Percent/Setting				
9	Ring Color	000	No function				
		001 ⇄ 002	2700K	R = 156	G = 118	B = 0	W = 63
		003 ⇄ 004	3200K	R = 156	G = 141	B = 5	W = 89
		005 ⇄ 006	4200K	R = 156	G = 141	B = 14	W = 255
		007 ⇄ 008	5600K	R = 156	G = 207	B = 54	W = 255
		009 ⇄ 010	8000K	R = 130	G = 255	B = 96	W = 255
		011	Blue	R = 0	G = 0	B = 255	W = 0
		012 ⇄ 048	+ Green	R = 0	G = 0–255	B = 255	W = 0
		049	Cyan	R = 0	G = 255	B = 255	W = 0
		050 ⇄ 086	- Blue	R = 0	G = 255	B = 255–0	W = 0
		087	Green	R = 0	G = 255	B = 0	W = 0
		088 ⇄ 124	+ Red	R = 0–255	G = 255	B = 0	W = 0
		125	Yellow	R = 255	G = 255	B = 0	W = 0
		126 ⇄ 162	- Green	R = 255	G = 255–0	B = 0	W = 0
		163	Red	R = 255	G = 0	B = 0	W = 0
		164 ⇄ 200	+ Blue	R = 255	G = 0	B = 0–255	W = 0
		201	Magenta	R = 255	G = 0	B = 255	W = 0
		202 ⇄ 238	- Red	R = 255–0	G = 0	B = 255	W = 0
		239	Blue	R = 0	G = 0	B = 255	W = 0
		240 ⇄ 247	Color fade, fast to slow				
248 ⇄ 255	Color snap, fast to slow						
10	Beam Color	000	No function				
		001 ⇄ 002	2700K	R = 156	G = 118	B = 0	W = 63
		003 ⇄ 004	3200K	R = 156	G = 141	B = 5	W = 89
		005 ⇄ 006	4200K	R = 156	G = 141	B = 14	W = 255
		007 ⇄ 008	5600K	R = 156	G = 207	B = 54	W = 255
		009 ⇄ 010	8000K	R = 130	G = 255	B = 96	W = 255
		011	Blue	R = 0	G = 0	B = 255	W = 0
		012 ⇄ 048	+ Green	R = 0	G = 0–255	B = 255	W = 0
		049	Cyan	R = 0	G = 255	B = 255	W = 0
		050 ⇄ 086	- Blue	R = 0	G = 255	B = 255–0	W = 0
		087	Green	R = 0	G = 255	B = 0	W = 0
		088 ⇄ 124	+ Red	R = 0–255	G = 255	B = 0	W = 0
		125	Yellow	R = 255	G = 255	B = 0	W = 0
		126 ⇄ 162	- Green	R = 255	G = 255–0	B = 0	W = 0
		163	Red	R = 255	G = 0	B = 0	W = 0
		164 ⇄ 200	+ Blue	R = 255	G = 0	B = 0–255	W = 0
		201	Magenta	R = 255	G = 0	B = 255	W = 0
		202 ⇄ 238	- Red	R = 255–0	G = 0	B = 255	W = 0
		239	Blue	R = 0	G = 0	B = 255	W = 0
		240 ⇄ 247	Color fade, fast to slow				
248 ⇄ 255	Color snap, fast to slow						
10	Beam Color	240 ⇄ 247	Color fade, fast to slow				
248 ⇄ 255	Color snap, fast to slow						
11	Gobo	000	No function				
		001 ⇄ 255	Gobos (indexed)				
12	LED Macro / Auto Program	000 ⇄ 015	No function				
		016 ⇄ 135	LED macros				
		136 ⇄ 255	Auto programs				
13	LED Macro / Auto Program Speed	000 ⇄ 127	Auto speed, fast to slow clockwise				
		128	Hold				
		129 ⇄ 255	Auto speed, slow to fast counter-clockwise				
14	LED Built-in Delay	000 ⇄ 255	Fast to slow				

Channel	Function	Value	Percent/Setting
15	Background Color	000	No function
		001 ⇔ 002	2700K R = 156 G = 118 B = 0 W = 63
		003 ⇔ 004	3200K R = 156 G = 141 B = 5 W = 89
		005 ⇔ 006	4200K R = 156 G = 141 B = 14 W = 255
		007 ⇔ 008	5600K R = 156 G = 207 B = 54 W = 255
		009 ⇔ 010	8000K R = 130 G = 255 B = 96 W = 255
		011	Blue R = 0 G = 0 B = 255 W = 0
		012 ⇔ 048	+ Green R = 0 G = 0-255 B = 255 W = 0
		049	Cyan R = 0 G = 255 B = 255 W = 0
		050 ⇔ 086	- Blue R = 0 G = 255 B = 255-0 W = 0
		087	Green R = 0 G = 255 B = 0 W = 0
		088 ⇔ 124	+ Red R = 0-255 G = 255 B = 0 W = 0
		125	Yellow R = 255 G = 255 B = 0 W = 0
		126 ⇔ 162	- Green R = 255 G = 255-0 B = 0 W = 0
		163	Red R = 255 G = 0 B = 0 W = 0
		164 ⇔ 200	+ Blue R = 255 G = 0 B = 0-255 W = 0
		201	Magenta R = 255 G = 0 B = 255 W = 0
		202 ⇔ 238	- Red R = 255-0 G = 0 B = 255 W = 0
		239	Blue R = 0 G = 0 B = 255 W = 0
		240 ⇔ 247	Color fade, fast to slow
248 ⇔ 255	Color snap, fast to slow		
16	Background Dimmer	000 ⇔ 255	0-100%
17	Background Fine Dimmer	000 ⇔ 255	0-100%
18	Ring Dimmer	000 ⇔ 255	0-100%
19	Ring Fine Dimmer	000 ⇔ 255	0-100%
20	Beam Dimmer	000 ⇔ 255	0-100%
21	Beam Fine Dimmer	000 ⇔ 255	0-100%
22	Ring Shutter	000 ⇔ 019	Off
		020 ⇔ 024	On
		025 ⇔ 069	Strobe, fast to slow
		070 ⇔ 089	Strobe 100-0%, fast to slow
		090 ⇔ 109	Strobe 0-100%, fast to slow
		110 ⇔ 129	Random strobe, fast to slow
		130 ⇔ 149	Random strobe 100-0%, fast to slow
		150 ⇔ 169	Random strobe 0-100%, fast to slow
		170 ⇔ 189	Pulse strobe, fast to slow
		190 ⇔ 209	Random pulse strobe, fast to slow
		210 ⇔ 229	Strobe 0-100-0%, fast to slow
		230 ⇔ 244	Random pulse strobe, fast to slow
		245 ⇔ 255	On
		23	Beam Shutter
020 ⇔ 024	On		
025 ⇔ 069	Strobe, fast to slow		
070 ⇔ 089	Strobe 100-0%, fast to slow		
090 ⇔ 109	Strobe 0-100%, fast to slow		
110 ⇔ 129	Random strobe, fast to slow		
130 ⇔ 149	Random strobe 100-0%, fast to slow		
150 ⇔ 169	Random strobe 0-100%, fast to slow		
170 ⇔ 189	Pulse strobe, fast to slow		
190 ⇔ 209	Random pulse strobe, fast to slow		
210 ⇔ 229	Strobe 0-100-0%, fast to slow		
230 ⇔ 244	Random pulse strobe, fast to slow		
245 ⇔ 255	On		
24	Zoom		

QUICK REFERENCE GUIDE



EN

Channel	Function	Value	Percent/Setting
25	Control	000 ⇄ 009	No function
		010 ⇄ 014	Blackout on Pan/Tilt
		015 ⇄ 019	Reserved for future use
		020 ⇄ 024	RGBW (additive) color mixing mode
		025 ⇄ 029	CMY (subtractive) color mixing mode
		030 ⇄ 049	Reserved for future use
		050 ⇄ 054	Pan reset
		055 ⇄ 059	Tilt reset
		060 ⇄ 064	Zoom reset
		065 ⇄ 069	Reserved for future use
		070 ⇄ 074	Reset all
		075 ⇄ 109	Reserved for future use
		110 ⇄ 114	Fast Pan/Tilt speed
		115 ⇄ 119	Slow Pan/tilt speed
		120 ⇄ 124	Slow fan mode
		125 ⇄ 129	Full fan mode
		130 ⇄ 134	Auto fan mode
135 ⇄ 139	Fast dimmer mode		
140 ⇄ 144	Slow dimmer mode		
145 ⇄ 255	Reserved for future use		
26	Main Red	000 ⇄ 255	0–100%
27	Main Fine Red	000 ⇄ 255	0–100%
28	Main Green	000 ⇄ 255	0–100%
29	Main Fine Green	000 ⇄ 255	0–100%
30	Main Blue	000 ⇄ 255	0–100%
31	Main Fine Blue	000 ⇄ 255	0–100%
32	Main White	000 ⇄ 255	0–100%
33	Main Fine White	000 ⇄ 255	0–100%
34	Red 1	000 ⇄ 255	0–100%
35	Fine Red 1	000 ⇄ 255	0–100%
36	Green 1	000 ⇄ 255	0–100%
37	Fine Green 1	000 ⇄ 255	0–100%
38	Blue 1	000 ⇄ 255	0–100%
39	Fine Blue 1	000 ⇄ 255	0–100%
40	White 1	000 ⇄ 255	0–100%
41	Fine White 1	000 ⇄ 255	0–100%
42	Red 2	000 ⇄ 255	0–100%
43	Fine Red 2	000 ⇄ 255	0–100%
44	Green 2	000 ⇄ 255	0–100%
45	Fine Green 2	000 ⇄ 255	0–100%
46	Blue 2	000 ⇄ 255	0–100%
47	Fine Blue 2	000 ⇄ 255	0–100%
48	White 2	000 ⇄ 255	0–100%
49	Fine White 2	000 ⇄ 255	0–100%
50	Red 3	000 ⇄ 255	0–100%
51	Fine Red 3	000 ⇄ 255	0–100%
52	Green 3	000 ⇄ 255	0–100%
53	Fine Green 3	000 ⇄ 255	0–100%
54	Blue 3	000 ⇄ 255	0–100%
55	Fine Blue 3	000 ⇄ 255	0–100%
56	White 3	000 ⇄ 255	0–100%
57	Fine White 3	000 ⇄ 255	0–100%
58	Red 4	000 ⇄ 255	0–100%
59	Fine Red 4	000 ⇄ 255	0–100%
60	Green 4	000 ⇄ 255	0–100%

Channel	Function	Value	Percent/Setting
61	Fine Green 4	000 ⇔ 255	0–100%
62	Blue 4	000 ⇔ 255	0–100%
63	Fine Blue 4	000 ⇔ 255	0–100%
64	White 4	000 ⇔ 255	0–100%
65	Fine White 4	000 ⇔ 255	0–100%
66	Red 5	000 ⇔ 255	0–100%
67	Fine Red 5	000 ⇔ 255	0–100%
68	Green 5	000 ⇔ 255	0–100%
69	Fine Green 5	000 ⇔ 255	0–100%
70	Blue 5	000 ⇔ 255	0–100%
71	Fine Blue 5	000 ⇔ 255	0–100%
72	White 5	000 ⇔ 255	0–100%
73	Fine White 5	000 ⇔ 255	0–100%
74	Red 6	000 ⇔ 255	0–100%
75	Fine Red 6	000 ⇔ 255	0–100%
76	Green 6	000 ⇔ 255	0–100%
77	Fine Green 6	000 ⇔ 255	0–100%
78	Blue 6	000 ⇔ 255	0–100%
79	Fine Blue 6	000 ⇔ 255	0–100%
80	White 6	000 ⇔ 255	0–100%
81	Fine White 6	000 ⇔ 255	0–100%
82	Red 7	000 ⇔ 255	0–100%
83	Fine Red 7	000 ⇔ 255	0–100%
84	Green 7	000 ⇔ 255	0–100%
85	Fine Green 7	000 ⇔ 255	0–100%
86	Blue 7	000 ⇔ 255	0–100%
87	Fine Blue 7	000 ⇔ 255	0–100%
88	White 7	000 ⇔ 255	0–100%
89	Fine White 7	000 ⇔ 255	0–100%
90	Red 8	000 ⇔ 255	0–100%
91	Fine Red 8	000 ⇔ 255	0–100%
92	Green 8	000 ⇔ 255	0–100%
93	Fine Green 8	000 ⇔ 255	0–100%
94	Blue 8	000 ⇔ 255	0–100%
95	Fine Blue 8	000 ⇔ 255	0–100%
96	White 8	000 ⇔ 255	0–100%
97	Fine White 8	000 ⇔ 255	0–100%
98	Red 9	000 ⇔ 255	0–100%
99	Fine Red 9	000 ⇔ 255	0–100%
100	Green 9	000 ⇔ 255	0–100%
101	Fine Green 9	000 ⇔ 255	0–100%
102	Blue 9	000 ⇔ 255	0–100%
103	Fine Blue 9	000 ⇔ 255	0–100%
104	White 9	000 ⇔ 255	0–100%
105	Fine White 9	000 ⇔ 255	0–100%
106	Red 10	000 ⇔ 255	0–100%
107	Fine Red 10	000 ⇔ 255	0–100%
108	Green 10	000 ⇔ 255	0–100%
109	Fine Green 10	000 ⇔ 255	0–100%
110	Blue 10	000 ⇔ 255	0–100%
111	Fine Blue 10	000 ⇔ 255	0–100%
112	White 10	000 ⇔ 255	0–100%
113	Fine White 10	000 ⇔ 255	0–100%

QUICK REFERENCE GUIDE



EN

Single Control: Standard Mode (66-channel)

Channel	Function	Value	Percent/Setting
1	Pan	000 ⇄ 255	0–100%
2	Pan Fine	000 ⇄ 255	0–100%
3	Tilt	000 ⇄ 255	0–100%
4	Tilt Fine	000 ⇄ 255	0–100%
5	Continuous Pan	000	No function
		001 ⇄ 127	Continuous pan, fast to slow
		128	No function
		129 ⇄ 255	Reverse continuous pan, slow to fast
6	Continuous Tilt	000	No function
		001 ⇄ 127	Continuous tilt, fast to slow
		128	No function
		129 ⇄ 255	Reverse continuous tilt, slow to fast
7	Pan/Tilt Speed	000 ⇄ 255	Fast to slow
8	CTC	000	No function
		001 ⇄ 255	Color temperature, 2800–10000 K
9	Ring Color	000	No function
		001 ⇄ 002	2700K R = 156 G = 118 B = 0 W = 63
		003 ⇄ 004	3200K R = 156 G = 141 B = 5 W = 89
		005 ⇄ 006	4200K R = 156 G = 141 B = 14 W = 255
		007 ⇄ 008	5600K R = 156 G = 207 B = 54 W = 255
		009 ⇄ 010	8000K R = 130 G = 255 B = 96 W = 255
		011	Blue R = 0 G = 0 B = 255 W = 0
		012 ⇄ 048	+ Green R = 0 G = 0–255 B = 255 W = 0
		049	Cyan R = 0 G = 255 B = 255 W = 0
		050 ⇄ 086	- Blue R = 0 G = 255 B = 255–0 W = 0
		087	Green R = 0 G = 255 B = 0 W = 0
		088 ⇄ 124	+ Red R = 0–255 G = 255 B = 0 W = 0
		125	Yellow R = 255 G = 255 B = 0 W = 0
		126 ⇄ 162	- Green R = 255 G = 255–0 B = 0 W = 0
		163	Red R = 255 G = 0 B = 0 W = 0
		164 ⇄ 200	+ Blue R = 255 G = 0 B = 0–255 W = 0
		201	Magenta R = 255 G = 0 B = 255 W = 0
		202 ⇄ 238	- Red R = 255–0 G = 0 B = 255 W = 0
		239	Blue R = 0 G = 0 B = 255 W = 0
		240 ⇄ 247	Color fade, fast to slow
248 ⇄ 255	Color snap, fast to slow		
10	Beam Color	000	No function
		001 ⇄ 002	2700K R = 156 G = 118 B = 0 W = 63
		003 ⇄ 004	3200K R = 156 G = 141 B = 5 W = 89
		005 ⇄ 006	4200K R = 156 G = 141 B = 14 W = 255
		007 ⇄ 008	5600K R = 156 G = 207 B = 54 W = 255
		009 ⇄ 010	8000K R = 130 G = 255 B = 96 W = 255
		011	Blue R = 0 G = 0 B = 255 W = 0
		012 ⇄ 048	+ Green R = 0 G = 0–255 B = 255 W = 0
		049	Cyan R = 0 G = 255 B = 255 W = 0
		050 ⇄ 086	- Blue R = 0 G = 255 B = 255–0 W = 0
		087	Green R = 0 G = 255 B = 0 W = 0
		088 ⇄ 124	+ Red R = 0–255 G = 255 B = 0 W = 0
		125	Yellow R = 255 G = 255 B = 0 W = 0
		126 ⇄ 162	- Green R = 255 G = 255–0 B = 0 W = 0
		163	Red R = 255 G = 0 B = 0 W = 0
		164 ⇄ 200	+ Blue R = 255 G = 0 B = 0–255 W = 0
		201	Magenta R = 255 G = 0 B = 255 W = 0

Channel	Function	Value	Percent/Setting
10	Beam Color	202 ⇄ 238	- Red R = 255-0 G = 0 B = 255 W = 0
		239	Blue R = 0 G = 0 B = 255 W = 0
		240 ⇄ 247	Color fade, fast to slow
		248 ⇄ 255	Color snap, fast to slow
11	Gobo	000	No function
		001 ⇄ 255	Gobos (indexed)
12	LED Macro / Auto Program	000 ⇄ 015	No function
		016 ⇄ 135	LED macros
		136 ⇄ 255	Auto programs
13	LED Macro / Auto Program Speed	000 ⇄ 127	Auto speed, fast to slow clockwise
		128	Hold
		129 ⇄ 255	Auto speed, slow to fast counter-clockwise
14	LED Built-in Delay	000 ⇄ 255	Fast to slow
15	Background Color	000	No function
		001 ⇄ 002	2700K R = 156 G = 118 B = 0 W = 63
		003 ⇄ 004	3200K R = 156 G = 141 B = 5 W = 89
		005 ⇄ 006	4200K R = 156 G = 141 B = 14 W = 255
		007 ⇄ 008	5600K R = 156 G = 207 B = 54 W = 255
		009 ⇄ 010	8000K R = 130 G = 255 B = 96 W = 255
		011	Blue R = 0 G = 0 B = 255 W = 0
		012 ⇄ 048	+ Green R = 0 G = 0-255 B = 255 W = 0
		049	Cyan R = 0 G = 255 B = 255 W = 0
		050 ⇄ 086	- Blue R = 0 G = 255 B = 255-0 W = 0
		087	Green R = 0 G = 255 B = 0 W = 0
		088 ⇄ 124	+ Red R = 0-255 G = 255 B = 0 W = 0
		125	Yellow R = 255 G = 255 B = 0 W = 0
		126 ⇄ 162	- Green R = 255 G = 255-0 B = 0 W = 0
		163	Red R = 255 G = 0 B = 0 W = 0
		164 ⇄ 200	+ Blue R = 255 G = 0 B = 0-255 W = 0
		201	Magenta R = 255 G = 0 B = 255 W = 0
		202 ⇄ 238	- Red R = 255-0 G = 0 B = 255 W = 0
		239	Blue R = 0 G = 0 B = 255 W = 0
		240 ⇄ 247	Color fade, fast to slow
248 ⇄ 255	Color snap, fast to slow		
16	Background Dimmer	000 ⇄ 255	0-100%
17	Ring Dimmer	000 ⇄ 255	0-100%
18	Beam Dimmer	000 ⇄ 255	0-100%
19	Ring Shutter	000 ⇄ 019	Off
		020 ⇄ 024	On
		025 ⇄ 069	Strobe, fast to slow
		070 ⇄ 089	Strobe 100-0%, fast to slow
		090 ⇄ 109	Strobe 0-100%, fast to slow
		110 ⇄ 129	Random strobe, fast to slow
		130 ⇄ 149	Random strobe 100-0%, fast to slow
		150 ⇄ 169	Random strobe 0-100%, fast to slow
		170 ⇄ 189	Pulse strobe, fast to slow
		190 ⇄ 209	Random pulse strobe, fast to slow
		210 ⇄ 229	Strobe 0-100-0%, fast to slow
		230 ⇄ 244	Random pulse strobe, fast to slow
		245 ⇄ 255	On
20	Beam Shutter	000 ⇄ 019	Off
		020 ⇄ 024	On
		025 ⇄ 069	Strobe, fast to slow
		070 ⇄ 089	Strobe 100-0%, fast to slow

QUICK REFERENCE GUIDE



EN

Channel	Function	Value	Percent/Setting
20	Beam Shutter	090 ⇄ 109	Strobe 0–100%, fast to slow
		110 ⇄ 129	Random strobe, fast to slow
		130 ⇄ 149	Random strobe 100–0%, fast to slow
		150 ⇄ 169	Random strobe 0–100%, fast to slow
		170 ⇄ 189	Pulse strobe, fast to slow
		190 ⇄ 209	Random pulse strobe, fast to slow
		210 ⇄ 229	Strobe 0–100–0%, fast to slow
		230 ⇄ 244	Random pulse strobe, fast to slow
245 ⇄ 255	On		
21	Zoom	000 ⇄ 255	Wide to narrow
22	Control	000 ⇄ 009	No function
		010 ⇄ 014	Blackout on Pan/Tilt
		015 ⇄ 019	Reserved for future use
		020 ⇄ 024	RGBW (additive) color mixing mode
		025 ⇄ 029	CMY (subtractive) color mixing mode
		030 ⇄ 049	Reserved for future use
		050 ⇄ 054	Pan reset
		055 ⇄ 059	Tilt reset
		060 ⇄ 064	Zoom reset
		065 ⇄ 069	Reserved for future use
		070 ⇄ 074	Reset all
		075 ⇄ 109	Reserved for future use
		110 ⇄ 114	Fast Pan/Tilt speed
		115 ⇄ 119	Slow Pan/tilt speed
		120 ⇄ 124	Slow fan mode
		125 ⇄ 129	Full fan mode
		130 ⇄ 134	Auto fan mode
135 ⇄ 139	Fast dimmer mode		
140 ⇄ 144	Slow dimmer mode		
145 ⇄ 255	Reserved for future use		
23	Main Red	000 ⇄ 255	0–100%
24	Main Green	000 ⇄ 255	0–100%
25	Main Blue	000 ⇄ 255	0–100%
26	Main White	000 ⇄ 255	0–100%
27	Red 1	000 ⇄ 255	0–100%
28	Green 1	000 ⇄ 255	0–100%
29	Blue 1	000 ⇄ 255	0–100%
30	White 1	000 ⇄ 255	0–100%
31	Red 2	000 ⇄ 255	0–100%
32	Green 2	000 ⇄ 255	0–100%
33	Blue 2	000 ⇄ 255	0–100%
34	White 2	000 ⇄ 255	0–100%
35	Red 3	000 ⇄ 255	0–100%
36	Green 3	000 ⇄ 255	0–100%
37	Blue 3	000 ⇄ 255	0–100%
38	White 3	000 ⇄ 255	0–100%
39	Red 4	000 ⇄ 255	0–100%
40	Green 4	000 ⇄ 255	0–100%
41	Blue 4	000 ⇄ 255	0–100%
42	White 4	000 ⇄ 255	0–100%
43	Red 5	000 ⇄ 255	0–100%
44	Green 5	000 ⇄ 255	0–100%
45	Blue 5	000 ⇄ 255	0–100%
46	White 5	000 ⇄ 255	0–100%
47	Red 6	000 ⇄ 255	0–100%

Channel	Function	Value	Percent/Setting
48	Green 6	000 ⇔ 255	0–100%
49	Blue 6	000 ⇔ 255	0–100%
50	White 6	000 ⇔ 255	0–100%
51	Red 7	000 ⇔ 255	0–100%
52	Green 7	000 ⇔ 255	0–100%
53	Blue 7	000 ⇔ 255	0–100%
54	White 7	000 ⇔ 255	0–100%
55	Red 8	000 ⇔ 255	0–100%
56	Green 8	000 ⇔ 255	0–100%
57	Blue 8	000 ⇔ 255	0–100%
58	White 8	000 ⇔ 255	0–100%
59	Red 9	000 ⇔ 255	0–100%
60	Green 9	000 ⇔ 255	0–100%
61	Blue 9	000 ⇔ 255	0–100%
62	White 9	000 ⇔ 255	0–100%
63	Red 10	000 ⇔ 255	0–100%
64	Green 10	000 ⇔ 255	0–100%
65	Blue 10	000 ⇔ 255	0–100%
66	White 10	000 ⇔ 255	0–100%

Single Control: Basic Mode (26-channel)

Channel	Function	Value	Percent/Setting
1	Pan	000 ⇔ 255	0–100%
2	Pan Fine	000 ⇔ 255	0–100%
3	Tilt	000 ⇔ 255	0–100%
4	Tilt Fine	000 ⇔ 255	0–100%
5	Continuous Pan	000	No function
		001 ⇔ 127	Continuous pan, fast to slow
		128	No function
		129 ⇔ 255	Reverse continuous pan, slow to fast
6	Continuous Tilt	000	No function
		001 ⇔ 127	Continuous tilt, fast to slow
		128	No function
		129 ⇔ 255	Reverse continuous tilt, slow to fast
7	Pan/Tilt Speed	000 ⇔ 255	Fast to slow
8	CTC	000	No function
		001 ⇔ 255	Color temperature, 2800–10000 K
9	Ring Color	000	No function
		001 ⇔ 002	2700K R = 156 G = 118 B = 0 W = 63
		003 ⇔ 004	3200K R = 156 G = 141 B = 5 W = 89
		005 ⇔ 006	4200K R = 156 G = 141 B = 14 W = 255
		007 ⇔ 008	5600K R = 156 G = 207 B = 54 W = 255
		009 ⇔ 010	8000K R = 130 G = 255 B = 96 W = 255
		011	Blue R = 0 G = 0 B = 255 W = 0
		012 ⇔ 048	+ Green R = 0 G = 0–255 B = 255 W = 0
		049	Cyan R = 0 G = 255 B = 255 W = 0
		050 ⇔ 086	- Blue R = 0 G = 255 B = 255–0 W = 0
		087	Green R = 0 G = 255 B = 0 W = 0
		088 ⇔ 124	+ Red R = 0–255 G = 255 B = 0 W = 0
		125	Yellow R = 255 G = 255 B = 0 W = 0
		126 ⇔ 162	- Green R = 255 G = 255–0 B = 0 W = 0
		163	Red R = 255 G = 0 B = 0 W = 0
		164 ⇔ 200	+ Blue R = 255 G = 0 B = 0–255 W = 0
		201	Magenta R = 255 G = 0 B = 255 W = 0

QUICK REFERENCE GUIDE



EN

Channel	Function	Value	Percent/Setting				
9	Ring Color	202 ⇄ 238	- Red	R = 255-0	G = 0	B = 255	W = 0
		239	Blue	R = 0	G = 0	B = 255	W = 0
		240 ⇄ 247	Color fade, fast to slow				
		248 ⇄ 255	Color snap, fast to slow				
10	Beam Color	000	No function				
		001 ⇄ 002	2700K	R = 156	G = 118	B = 0	W = 63
		003 ⇄ 004	3200K	R = 156	G = 141	B = 5	W = 89
		005 ⇄ 006	4200K	R = 156	G = 141	B = 14	W = 255
		007 ⇄ 008	5600K	R = 156	G = 207	B = 54	W = 255
		009 ⇄ 010	8000K	R = 130	G = 255	B = 96	W = 255
		011	Blue	R = 0	G = 0	B = 255	W = 0
		012 ⇄ 048	+ Green	R = 0	G = 0-255	B = 255	W = 0
		049	Cyan	R = 0	G = 255	B = 255	W = 0
		050 ⇄ 086	- Blue	R = 0	G = 255	B = 255-0	W = 0
		087	Green	R = 0	G = 255	B = 0	W = 0
		088 ⇄ 124	+ Red	R = 0-255	G = 255	B = 0	W = 0
		125	Yellow	R = 255	G = 255	B = 0	W = 0
		126 ⇄ 162	- Green	R = 255	G = 255-0	B = 0	W = 0
		163	Red	R = 255	G = 0	B = 0	W = 0
		164 ⇄ 200	+ Blue	R = 255	G = 0	B = 0-255	W = 0
		201	Magenta	R = 255	G = 0	B = 255	W = 0
		202 ⇄ 238	- Red	R = 255-0	G = 0	B = 255	W = 0
		239	Blue	R = 0	G = 0	B = 255	W = 0
		240 ⇄ 247	Color fade, fast to slow				
248 ⇄ 255	Color snap, fast to slow						
11	Gobo	000	No function				
		001 ⇄ 255	Gobos (indexed)				
12	LED Macro / Auto Program	000 ⇄ 015	No function				
		016 ⇄ 135	LED macros				
		136 ⇄ 255	Auto programs				
13	LED Macro / Auto Program Speed	000 ⇄ 127	Auto speed, fast to slow clockwise				
		128	Hold				
		129 ⇄ 255	Auto speed, slow to fast counter-clockwise				
14	LED Built-in Delay	000 ⇄ 255	Fast to slow				
15	Background Color	000	No function				
		001 ⇄ 002	2700K	R = 156	G = 118	B = 0	W = 63
		003 ⇄ 004	3200K	R = 156	G = 141	B = 5	W = 89
		005 ⇄ 006	4200K	R = 156	G = 141	B = 14	W = 255
		007 ⇄ 008	5600K	R = 156	G = 207	B = 54	W = 255
		009 ⇄ 010	8000K	R = 130	G = 255	B = 96	W = 255
		011	Blue	R = 0	G = 0	B = 255	W = 0
		012 ⇄ 048	+ Green	R = 0	G = 0-255	B = 255	W = 0
		049	Cyan	R = 0	G = 255	B = 255	W = 0
		050 ⇄ 086	- Blue	R = 0	G = 255	B = 255-0	W = 0
		087	Green	R = 0	G = 255	B = 0	W = 0
		088 ⇄ 124	+ Red	R = 0-255	G = 255	B = 0	W = 0
		125	Yellow	R = 255	G = 255	B = 0	W = 0
		126 ⇄ 162	- Green	R = 255	G = 255-0	B = 0	W = 0
		163	Red	R = 255	G = 0	B = 0	W = 0
		164 ⇄ 200	+ Blue	R = 255	G = 0	B = 0-255	W = 0
		201	Magenta	R = 255	G = 0	B = 255	W = 0
		202 ⇄ 238	- Red	R = 255-0	G = 0	B = 255	W = 0
		239	Blue	R = 0	G = 0	B = 255	W = 0
		240 ⇄ 247	Color fade, fast to slow				
248 ⇄ 255	Color snap, fast to slow						

Channel	Function	Value	Percent/Setting
16	Background Dimmer	000 ⇄ 255	0–100%
17	Ring Dimmer	000 ⇄ 255	0–100%
18	Beam Dimmer	000 ⇄ 255	0–100%
19	Ring Shutter	000 ⇄ 019	Off
		020 ⇄ 024	On
		025 ⇄ 069	Strobe, fast to slow
		070 ⇄ 089	Strobe 100–0%, fast to slow
		090 ⇄ 109	Strobe 0–100%, fast to slow
		110 ⇄ 129	Random strobe, fast to slow
		130 ⇄ 149	Random strobe 100–0%, fast to slow
		150 ⇄ 169	Random strobe 0–100%, fast to slow
		170 ⇄ 189	Pulse strobe, fast to slow
		190 ⇄ 209	Random pulse strobe, fast to slow
		210 ⇄ 229	Strobe 0–100–0%, fast to slow
		230 ⇄ 244	Random pulse strobe, fast to slow
245 ⇄ 255	On		
20	Beam Shutter	000 ⇄ 019	Off
		020 ⇄ 024	On
		025 ⇄ 069	Strobe, fast to slow
		070 ⇄ 089	Strobe 100–0%, fast to slow
		090 ⇄ 109	Strobe 0–100%, fast to slow
		110 ⇄ 129	Random strobe, fast to slow
		130 ⇄ 149	Random strobe 100–0%, fast to slow
		150 ⇄ 169	Random strobe 0–100%, fast to slow
		170 ⇄ 189	Pulse strobe, fast to slow
		190 ⇄ 209	Random pulse strobe, fast to slow
		210 ⇄ 229	Strobe 0–100–0%, fast to slow
		230 ⇄ 244	Random pulse strobe, fast to slow
245 ⇄ 255	On		
21	Zoom	000 ⇄ 255	Wide to narrow
22	Control	000 ⇄ 009	No function
		010 ⇄ 014	Blackout on Pan/Tilt
		015 ⇄ 019	Reserved for future use
		020 ⇄ 024	RGBW (additive) color mixing mode
		025 ⇄ 029	CMY (subtractive) color mixing mode
		030 ⇄ 049	Reserved for future use
		050 ⇄ 054	Pan reset
		055 ⇄ 059	Tilt reset
		060 ⇄ 064	Zoom reset
		065 ⇄ 069	Reserved for future use
		070 ⇄ 074	Reset all
		075 ⇄ 109	Reserved for future use
		110 ⇄ 114	Fast Pan/Tilt speed
		115 ⇄ 119	Slow Pan/tilt speed
		120 ⇄ 124	Slow fan mode
		125 ⇄ 129	Full fan mode
		130 ⇄ 134	Auto fan mode
135 ⇄ 139	Fast dimmer mode		
140 ⇄ 144	Slow dimmer mode		
145 ⇄ 255	Reserved for future use		
23	Main Red	000 ⇄ 255	0–100%
24	Main Green	000 ⇄ 255	0–100%
25	Main Blue	000 ⇄ 255	0–100%
26	Main White	000 ⇄ 255	0–100%

QUICK REFERENCE GUIDE



EN

Dual Control Values (Movement)

Dual Control: Advanced Movement Mode (41-channel)

Channel	Function	Value	Percent/Setting
1	Pan	000 ⇄ 255	0–100%
2	Pan Fine	000 ⇄ 255	0–100%
3	Tilt	000 ⇄ 255	0–100%
4	Tilt Fine	000 ⇄ 255	0–100%
5	Continuous Pan	000	No function
		001 ⇄ 127	Continuous pan, fast to slow
		128	No function
		129 ⇄ 255	Reverse continuous pan, slow to fast
6	Continuous Tilt	000	No function
		001 ⇄ 127	Continuous tilt, fast to slow
		128	No function
		129 ⇄ 255	Reverse continuous tilt, slow to fast
7	Pan/Tilt Speed	000 ⇄ 255	Fast to slow
8	CTC	000	No function
		001 ⇄ 255	Color temperature, 2800–10000 K
9	Ring Color	000	No function
		001 ⇄ 002	2700K R = 156 G = 118 B = 0 W = 63
		003 ⇄ 004	3200K R = 156 G = 141 B = 5 W = 89
		005 ⇄ 006	4200K R = 156 G = 141 B = 14 W = 255
		007 ⇄ 008	5600K R = 156 G = 207 B = 54 W = 255
		009 ⇄ 010	8000K R = 130 G = 255 B = 96 W = 255
		011	Blue R = 0 G = 0 B = 255 W = 0
		012 ⇄ 048	+ Green R = 0 G = 0–255 B = 255 W = 0
		049	Cyan R = 0 G = 255 B = 255 W = 0
		050 ⇄ 086	- Blue R = 0 G = 255 B = 255–0 W = 0
		087	Green R = 0 G = 255 B = 0 W = 0
		088 ⇄ 124	+ Red R = 0–255 G = 255 B = 0 W = 0
		125	Yellow R = 255 G = 255 B = 0 W = 0
		126 ⇄ 162	- Green R = 255 G = 255–0 B = 0 W = 0
		163	Red R = 255 G = 0 B = 0 W = 0
		164 ⇄ 200	+ Blue R = 255 G = 0 B = 0–255 W = 0
		201	Magenta R = 255 G = 0 B = 255 W = 0
		202 ⇄ 238	- Red R = 255–0 G = 0 B = 255 W = 0
		239	Blue R = 0 G = 0 B = 255 W = 0
		240 ⇄ 247	Color fade, fast to slow
248 ⇄ 255	Color snap, fast to slow		
10	Beam Color	000	No function
		001 ⇄ 002	2700K R = 156 G = 118 B = 0 W = 63
		003 ⇄ 004	3200K R = 156 G = 141 B = 5 W = 89
		005 ⇄ 006	4200K R = 156 G = 141 B = 14 W = 255
		007 ⇄ 008	5600K R = 156 G = 207 B = 54 W = 255
		009 ⇄ 010	8000K R = 130 G = 255 B = 96 W = 255
		011	Blue R = 0 G = 0 B = 255 W = 0
		012 ⇄ 048	+ Green R = 0 G = 0–255 B = 255 W = 0
		049	Cyan R = 0 G = 255 B = 255 W = 0
		050 ⇄ 086	- Blue R = 0 G = 255 B = 255–0 W = 0
		087	Green R = 0 G = 255 B = 0 W = 0
		088 ⇄ 124	+ Red R = 0–255 G = 255 B = 0 W = 0
		125	Yellow R = 255 G = 255 B = 0 W = 0
		126 ⇄ 162	- Green R = 255 G = 255–0 B = 0 W = 0
		163	Red R = 255 G = 0 B = 0 W = 0
		164 ⇄ 200	+ Blue R = 255 G = 0 B = 0–255 W = 0

Channel	Function	Value	Percent/Setting
10	Beam Color	201	Magenta R = 255 G = 0 B = 255 W = 0
		202 ⇄ 238	- Red R = 255-0 G = 0 B = 255 W = 0
		239	Blue R = 0 G = 0 B = 255 W = 0
		240 ⇄ 247	Color fade, fast to slow
		248 ⇄ 255	Color snap, fast to slow
11	Gobo	000	No function
		001 ⇄ 255	Gobos (indexed)
12	LED Macro / Auto Program	000 ⇄ 015	No function
		016 ⇄ 135	LED macros
		136 ⇄ 255	Auto programs
13	LED Macro / Auto Program Speed	000 ⇄ 127	Auto speed, fast to slow clockwise
		128	Hold
		129 ⇄ 255	Auto speed, slow to fast counter-clockwise
14	LED Built-in Delay	000 ⇄ 255	Fast to slow
15	Background Color	000	No function
		001 ⇄ 002	2700K R = 156 G = 118 B = 0 W = 63
		003 ⇄ 004	3200K R = 156 G = 141 B = 5 W = 89
		005 ⇄ 006	4200K R = 156 G = 141 B = 14 W = 255
		007 ⇄ 008	5600K R = 156 G = 207 B = 54 W = 255
		009 ⇄ 010	8000K R = 130 G = 255 B = 96 W = 255
		011	Blue R = 0 G = 0 B = 255 W = 0
		012 ⇄ 048	+ Green R = 0 G = 0-255 B = 255 W = 0
		049	Cyan R = 0 G = 255 B = 255 W = 0
		050 ⇄ 086	- Blue R = 0 G = 255 B = 255-0 W = 0
		087	Green R = 0 G = 255 B = 0 W = 0
		088 ⇄ 124	+ Red R = 0-255 G = 255 B = 0 W = 0
		125	Yellow R = 255 G = 255 B = 0 W = 0
		126 ⇄ 162	- Green R = 255 G = 255-0 B = 0 W = 0
		163	Red R = 255 G = 0 B = 0 W = 0
		164 ⇄ 200	+ Blue R = 255 G = 0 B = 0-255 W = 0
		201	Magenta R = 255 G = 0 B = 255 W = 0
		202 ⇄ 238	- Red R = 255-0 G = 0 B = 255 W = 0
		239	Blue R = 0 G = 0 B = 255 W = 0
240 ⇄ 247	Color fade, fast to slow		
248 ⇄ 255	Color snap, fast to slow		
16	Background Dimmer	000 ⇄ 255	0-100%
17	Background Fine Dimmer	000 ⇄ 255	0-100%
18	Ring Dimmer	000 ⇄ 255	0-100%
19	Ring Fine Dimmer	000 ⇄ 255	0-100%
20	Beam Dimmer	000 ⇄ 255	0-100%
21	Beam Fine Dimmer	000 ⇄ 255	0-100%
22	Ring Shutter	000 ⇄ 019	Off
		020 ⇄ 024	On
		025 ⇄ 069	Strobe, fast to slow
		070 ⇄ 089	Strobe 100-0%, fast to slow
		090 ⇄ 109	Strobe 0-100%, fast to slow
		110 ⇄ 129	Random strobe, fast to slow
		130 ⇄ 149	Random strobe 100-0%, fast to slow
		150 ⇄ 169	Random strobe 0-100%, fast to slow
		170 ⇄ 189	Pulse strobe, fast to slow
		190 ⇄ 209	Random pulse strobe, fast to slow
		210 ⇄ 229	Strobe 0-100-0%, fast to slow
		230 ⇄ 244	Random pulse strobe, fast to slow
		245 ⇄ 255	On

QUICK REFERENCE GUIDE



EN

Channel	Function	Value	Percent/Setting
23	Beam Shutter	000 ⇄ 019	Off
		020 ⇄ 024	On
		025 ⇄ 069	Strobe, fast to slow
		070 ⇄ 089	Strobe 100–0%, fast to slow
		090 ⇄ 109	Strobe 0–100%, fast to slow
		110 ⇄ 129	Random strobe, fast to slow
		130 ⇄ 149	Random strobe 100–0%, fast to slow
		150 ⇄ 169	Random strobe 0–100%, fast to slow
		170 ⇄ 189	Pulse strobe, fast to slow
		190 ⇄ 209	Random pulse strobe, fast to slow
		210 ⇄ 229	Strobe 0–100–0%, fast to slow
		230 ⇄ 244	Random pulse strobe, fast to slow
245 ⇄ 255	On		
24	Zoom	000 ⇄ 255	Wide to narrow
25	Control	000 ⇄ 009	No function
		010 ⇄ 014	Blackout on Pan/Tilt
		015 ⇄ 019	Reserved for future use
		020 ⇄ 024	RGBW (additive) color mixing mode
		025 ⇄ 029	CMY (subtractive) color mixing mode
		030 ⇄ 049	Reserved for future use
		050 ⇄ 054	Pan reset
		055 ⇄ 059	Tilt reset
		060 ⇄ 064	Zoom reset
		065 ⇄ 069	Reserved for future use
		070 ⇄ 074	Reset all
		075 ⇄ 109	Reserved for future use
		110 ⇄ 114	Fast Pan/Tilt speed
		115 ⇄ 119	Slow Pan/tilt speed
		120 ⇄ 124	Slow fan mode
		125 ⇄ 129	Full fan mode
		130 ⇄ 134	Auto fan mode
		135 ⇄ 139	Fast dimmer mode
140 ⇄ 144	Slow dimmer mode		
145 ⇄ 255	Reserved for future use		
26	Ring Red	000 ⇄ 255	0–100%
27	Fine Ring Red	000 ⇄ 255	0–100%
28	Beam Red	000 ⇄ 255	0–100%
29	Fine Beam Red	000 ⇄ 255	0–100%
30	Ring Green	000 ⇄ 255	0–100%
31	Fine Ring Green	000 ⇄ 255	0–100%
32	Beam Green	000 ⇄ 255	0–100%
33	Fine Beam Green	000 ⇄ 255	0–100%
34	Ring Blue	000 ⇄ 255	0–100%
35	Fine Ring Blue	000 ⇄ 255	0–100%
36	Beam Blue	000 ⇄ 255	0–100%
37	Fine Beam Blue	000 ⇄ 255	0–100%
38	Ring White	000 ⇄ 255	0–100%
39	Fine Ring White	000 ⇄ 255	0–100%
40	Beam White	000 ⇄ 255	0–100%
41	Fine Beam White	000 ⇄ 255	0–100%

Dual Control: Standard Movement Mode (30-channel)

Channel	Function	Value	Percent/Setting
1	Pan	000 ⇄ 255	0–100%
2	Pan Fine	000 ⇄ 255	0–100%

Channel	Function	Value	Percent/Setting
3	Tilt	000 ⇔ 255	0–100%
4	Tilt Fine	000 ⇔ 255	0–100%
5	Continuous Pan	000	No function
		001 ⇔ 127	Continuous pan, fast to slow
		128	No function
		129 ⇔ 255	Reverse continuous pan, slow to fast
6	Continuous Tilt	000	No function
		001 ⇔ 127	Continuous tilt, fast to slow
		128	No function
		129 ⇔ 255	Reverse continuous tilt, slow to fast
7	Pan/Tilt Speed	000 ⇔ 255	Fast to slow
8	CTC	000	No function
		001 ⇔ 255	Color temperature, 2800–10000 K
9	Ring Color	000	No function
		001 ⇔ 002	2700K R = 156 G = 118 B = 0 W = 63
		003 ⇔ 004	3200K R = 156 G = 141 B = 5 W = 89
		005 ⇔ 006	4200K R = 156 G = 141 B = 14 W = 255
		007 ⇔ 008	5600K R = 156 G = 207 B = 54 W = 255
		009 ⇔ 010	8000K R = 130 G = 255 B = 96 W = 255
		011	Blue R = 0 G = 0 B = 255 W = 0
		012 ⇔ 048	+ Green R = 0 G = 0–255 B = 255 W = 0
		049	Cyan R = 0 G = 255 B = 255 W = 0
		050 ⇔ 086	- Blue R = 0 G = 255 B = 255–0 W = 0
		087	Green R = 0 G = 255 B = 0 W = 0
		088 ⇔ 124	+ Red R = 0–255 G = 255 B = 0 W = 0
		125	Yellow R = 255 G = 255 B = 0 W = 0
		126 ⇔ 162	- Green R = 255 G = 255–0 B = 0 W = 0
		163	Red R = 255 G = 0 B = 0 W = 0
		164 ⇔ 200	+ Blue R = 255 G = 0 B = 0–255 W = 0
		201	Magenta R = 255 G = 0 B = 255 W = 0
		202 ⇔ 238	- Red R = 255–0 G = 0 B = 255 W = 0
		239	Blue R = 0 G = 0 B = 255 W = 0
		240 ⇔ 247	Color fade, fast to slow
248 ⇔ 255	Color snap, fast to slow		
10	Beam Color	000	No function
		001 ⇔ 002	2700K R = 156 G = 118 B = 0 W = 63
		003 ⇔ 004	3200K R = 156 G = 141 B = 5 W = 89
		005 ⇔ 006	4200K R = 156 G = 141 B = 14 W = 255
		007 ⇔ 008	5600K R = 156 G = 207 B = 54 W = 255
		009 ⇔ 010	8000K R = 130 G = 255 B = 96 W = 255
		011	Blue R = 0 G = 0 B = 255 W = 0
		012 ⇔ 048	+ Green R = 0 G = 0–255 B = 255 W = 0
		049	Cyan R = 0 G = 255 B = 255 W = 0
		050 ⇔ 086	- Blue R = 0 G = 255 B = 255–0 W = 0
		087	Green R = 0 G = 255 B = 0 W = 0
		088 ⇔ 124	+ Red R = 0–255 G = 255 B = 0 W = 0
		125	Yellow R = 255 G = 255 B = 0 W = 0
		126 ⇔ 162	- Green R = 255 G = 255–0 B = 0 W = 0
		163	Red R = 255 G = 0 B = 0 W = 0
		164 ⇔ 200	+ Blue R = 255 G = 0 B = 0–255 W = 0
		201	Magenta R = 255 G = 0 B = 255 W = 0
		202 ⇔ 238	- Red R = 255–0 G = 0 B = 255 W = 0
		239	Blue R = 0 G = 0 B = 255 W = 0
240 ⇔ 247	Color fade, fast to slow		
248 ⇔ 255	Color snap, fast to slow		
10	Beam Color	240 ⇔ 247	Color fade, fast to slow
		248 ⇔ 255	Color snap, fast to slow

QUICK REFERENCE GUIDE



EN

Channel	Function	Value	Percent/Setting
11	Gobo	000	No function
		001 ⇄ 255	Gobos (indexed)
12	LED Macro / Auto Program	000 ⇄ 015	No function
		016 ⇄ 135	LED macros
		136 ⇄ 255	Auto programs
13	LED Macro / Auto Program Speed	000 ⇄ 127	Auto speed, fast to slow clockwise
		128	Hold
		129 ⇄ 255	Auto speed, slow to fast counter-clockwise
14	LED Built-in Delay	000 ⇄ 255	Fast to slow
15	Background Color	000	No function
		001 ⇄ 002	2700K R = 156 G = 118 B = 0 W = 63
		003 ⇄ 004	3200K R = 156 G = 141 B = 5 W = 89
		005 ⇄ 006	4200K R = 156 G = 141 B = 14 W = 255
		007 ⇄ 008	5600K R = 156 G = 207 B = 54 W = 255
		009 ⇄ 010	8000K R = 130 G = 255 B = 96 W = 255
		011	Blue R = 0 G = 0 B = 255 W = 0
		012 ⇄ 048	+ Green R = 0 G = 0–255 B = 255 W = 0
		049	Cyan R = 0 G = 255 B = 255 W = 0
		050 ⇄ 086	- Blue R = 0 G = 255 B = 255–0 W = 0
		087	Green R = 0 G = 255 B = 0 W = 0
		088 ⇄ 124	+ Red R = 0–255 G = 255 B = 0 W = 0
		125	Yellow R = 255 G = 255 B = 0 W = 0
		126 ⇄ 162	- Green R = 255 G = 255–0 B = 0 W = 0
		163	Red R = 255 G = 0 B = 0 W = 0
		164 ⇄ 200	+ Blue R = 255 G = 0 B = 0–255 W = 0
		201	Magenta R = 255 G = 0 B = 255 W = 0
		202 ⇄ 238	- Red R = 255–0 G = 0 B = 255 W = 0
		239	Blue R = 0 G = 0 B = 255 W = 0
		240 ⇄ 247	Color fade, fast to slow
248 ⇄ 255	Color snap, fast to slow		
16	Background Dimmer	000 ⇄ 255	0–100%
17	Ring Dimmer	000 ⇄ 255	0–100%
18	Beam Dimmer	000 ⇄ 255	0–100%
19	Ring Shutter	000 ⇄ 019	Off
		020 ⇄ 024	On
		025 ⇄ 069	Strobe, fast to slow
		070 ⇄ 089	Strobe 100–0%, fast to slow
		090 ⇄ 109	Strobe 0–100%, fast to slow
		110 ⇄ 129	Random strobe, fast to slow
		130 ⇄ 149	Random strobe 100–0%, fast to slow
		150 ⇄ 169	Random strobe 0–100%, fast to slow
		170 ⇄ 189	Pulse strobe, fast to slow
		190 ⇄ 209	Random pulse strobe, fast to slow
		210 ⇄ 229	Strobe 0–100–0%, fast to slow
		230 ⇄ 244	Random pulse strobe, fast to slow
		245 ⇄ 255	On
20	Beam Shutter	000 ⇄ 019	Off
		020 ⇄ 024	On
		025 ⇄ 069	Strobe, fast to slow
		070 ⇄ 089	Strobe 100–0%, fast to slow

Channel	Function	Value	Percent/Setting
20	Beam Shutter	090 ⇔ 109	Strobe 0–100%, fast to slow
		110 ⇔ 129	Random strobe, fast to slow
		130 ⇔ 149	Random strobe 100–0%, fast to slow
		150 ⇔ 169	Random strobe 0–100%, fast to slow
		170 ⇔ 189	Pulse strobe, fast to slow
		190 ⇔ 209	Random pulse strobe, fast to slow
		210 ⇔ 229	Strobe 0–100–0%, fast to slow
		230 ⇔ 244	Random pulse strobe, fast to slow
21	Zoom	245 ⇔ 255	On
		000 ⇔ 255	Wide to narrow
22	Control	000 ⇔ 009	No function
		010 ⇔ 014	Blackout on Pan/Tilt
		015 ⇔ 019	Reserved for future use
		020 ⇔ 024	RGBW (additive) color mixing mode
		025 ⇔ 029	CMY (subtractive) color mixing mode
		030 ⇔ 049	Reserved for future use
		050 ⇔ 054	Pan reset
		055 ⇔ 059	Tilt reset
		060 ⇔ 064	Zoom reset
		065 ⇔ 069	Reserved for future use
		070 ⇔ 074	Reset all
		075 ⇔ 109	Reserved for future use
		110 ⇔ 114	Fast Pan/Tilt speed
		115 ⇔ 119	Slow Pan/tilt speed
		120 ⇔ 124	Slow fan mode
		125 ⇔ 129	Full fan mode
130 ⇔ 134	Auto fan mode		
135 ⇔ 139	Fast dimmer mode		
140 ⇔ 144	Slow dimmer mode		
145 ⇔ 255	Reserved for future use		
23	Ring Red	000 ⇔ 255	0–100%
24	Beam Red	000 ⇔ 255	0–100%
25	Ring Green	000 ⇔ 255	0–100%
26	Beam Green	000 ⇔ 255	0–100%
27	Ring Blue	000 ⇔ 255	0–100%
28	Beam Blue	000 ⇔ 255	0–100%
29	Ring White	000 ⇔ 255	0–100%
30	Beam White	000 ⇔ 255	0–100%

QUICK REFERENCE GUIDE



EN

Dual Control: Basic Movement Mode (13-channel)

Channel	Function	Value	Percent/Setting
1	Pan	000 ⇄ 255	0–100%
2	Pan Fine	000 ⇄ 255	0–100%
3	Tilt	000 ⇄ 255	0–100%
4	Tilt Fine	000 ⇄ 255	0–100%
5	Continuous Pan	000	No function
		001 ⇄ 127	Continuous pan, fast to slow
		128	No function
		129 ⇄ 255	Reverse continuous pan, slow to fast
6	Continuous Tilt	000	No function
		001 ⇄ 127	Continuous tilt, fast to slow
		128	No function
		129 ⇄ 255	Reverse continuous tilt, slow to fast
7	Pan/Tilt Speed	000 ⇄ 255	Fast to slow
8	Ring Dimmer	000 ⇄ 255	0–100%
9	Beam Dimmer	000 ⇄ 255	0–100%
10	Ring Shutter	000 ⇄ 019	Off
		020 ⇄ 024	On
		025 ⇄ 069	Strobe, fast to slow
		070 ⇄ 089	Strobe 100–0%, fast to slow
		090 ⇄ 109	Strobe 0–100%, fast to slow
		110 ⇄ 129	Random strobe, fast to slow
		130 ⇄ 149	Random strobe 100–0%, fast to slow
		150 ⇄ 169	Random strobe 0–100%, fast to slow
		170 ⇄ 189	Pulse strobe, fast to slow
		190 ⇄ 209	Random pulse strobe, fast to slow
		210 ⇄ 229	Strobe 0–100–0%, fast to slow
		230 ⇄ 244	Random pulse strobe, fast to slow
		245 ⇄ 255	On
11	Beam Shutter	000 ⇄ 019	Off
		020 ⇄ 024	On
		025 ⇄ 069	Strobe, fast to slow
		070 ⇄ 089	Strobe 100–0%, fast to slow
		090 ⇄ 109	Strobe 0–100%, fast to slow
		110 ⇄ 129	Random strobe, fast to slow
		130 ⇄ 149	Random strobe 100–0%, fast to slow
		150 ⇄ 169	Random strobe 0–100%, fast to slow
		170 ⇄ 189	Pulse strobe, fast to slow
		190 ⇄ 209	Random pulse strobe, fast to slow
		210 ⇄ 229	Strobe 0–100–0%, fast to slow
		230 ⇄ 244	Random pulse strobe, fast to slow
		245 ⇄ 255	On
12	Zoom	000 ⇄ 255	Wide to narrow

Channel	Function	Value	Percent/Setting
13	Control	000 ⇔ 009	No function
		010 ⇔ 014	Blackout on Pan/Tilt
		015 ⇔ 019	Reserved for future use
		020 ⇔ 024	RGBW (additive) color mixing mode
		025 ⇔ 029	CMY (subtractive) color mixing mode
		030 ⇔ 049	Reserved for future use
		050 ⇔ 054	Pan reset
		055 ⇔ 059	Tilt reset
		060 ⇔ 064	Zoom reset
		065 ⇔ 069	Reserved for future use
		070 ⇔ 074	Reset all
		075 ⇔ 109	Reserved for future use
		110 ⇔ 114	Fast Pan/Tilt speed
		115 ⇔ 119	Slow Pan/tilt speed
		120 ⇔ 124	Slow fan mode
		125 ⇔ 129	Full fan mode
		130 ⇔ 134	Auto fan mode
		135 ⇔ 139	Fast dimmer mode
		140 ⇔ 144	Slow dimmer mode
		145 ⇔ 255	Reserved for future use

Dual Control Values (Pixels)

Dual Control: Advanced Pixels Mode (80-channel)

Channel	Function	Value	Percent/Setting
1	Red 1	000 ⇄ 255	0–100%
2	Fine Red 1	000 ⇄ 255	0–100%
3	Green 1	000 ⇄ 255	0–100%
4	Fine Green 1	000 ⇄ 255	0–100%
5	Blue 1	000 ⇄ 255	0–100%
6	Fine Blue 1	000 ⇄ 255	0–100%
7	White 1	000 ⇄ 255	0–100%
8	Fine White 1	000 ⇄ 255	0–100%
9	Red 2	000 ⇄ 255	0–100%
10	Fine Red 2	000 ⇄ 255	0–100%
11	Green 2	000 ⇄ 255	0–100%
12	Fine Green 2	000 ⇄ 255	0–100%
13	Blue 2	000 ⇄ 255	0–100%
14	Fine Blue 2	000 ⇄ 255	0–100%
15	White 2	000 ⇄ 255	0–100%
16	Fine White 2	000 ⇄ 255	0–100%
17	Red 3	000 ⇄ 255	0–100%
18	Fine Red 3	000 ⇄ 255	0–100%
19	Green 3	000 ⇄ 255	0–100%
20	Fine Green 3	000 ⇄ 255	0–100%
21	Blue 3	000 ⇄ 255	0–100%
22	Fine Blue 3	000 ⇄ 255	0–100%
23	White 3	000 ⇄ 255	0–100%
24	Fine White 3	000 ⇄ 255	0–100%
25	Red 4	000 ⇄ 255	0–100%
26	Fine Red 4	000 ⇄ 255	0–100%
27	Green 4	000 ⇄ 255	0–100%
28	Fine Green 4	000 ⇄ 255	0–100%
29	Blue 4	000 ⇄ 255	0–100%
30	Fine Blue 4	000 ⇄ 255	0–100%
31	White 4	000 ⇄ 255	0–100%
32	Fine White 4	000 ⇄ 255	0–100%
33	Red 5	000 ⇄ 255	0–100%
34	Fine Red 5	000 ⇄ 255	0–100%
35	Green 5	000 ⇄ 255	0–100%
36	Fine Green 5	000 ⇄ 255	0–100%
37	Blue 5	000 ⇄ 255	0–100%
38	Fine Blue 5	000 ⇄ 255	0–100%
39	White 5	000 ⇄ 255	0–100%
40	Fine White 5	000 ⇄ 255	0–100%
41	Red 6	000 ⇄ 255	0–100%
42	Fine Red 6	000 ⇄ 255	0–100%
43	Green 6	000 ⇄ 255	0–100%
44	Fine Green 6	000 ⇄ 255	0–100%
45	Blue 6	000 ⇄ 255	0–100%
46	Fine Blue 6	000 ⇄ 255	0–100%
47	White 6	000 ⇄ 255	0–100%
48	Fine White 6	000 ⇄ 255	0–100%
49	Red 7	000 ⇄ 255	0–100%
50	Fine Red 7	000 ⇄ 255	0–100%
51	Green 7	000 ⇄ 255	0–100%
52	Fine Green 7	000 ⇄ 255	0–100%
53	Blue 7	000 ⇄ 255	0–100%

Channel	Function	Value	Percent/Setting
54	Fine Blue 7	000 ⇔ 255	0–100%
55	White 7	000 ⇔ 255	0–100%
56	Fine White 7	000 ⇔ 255	0–100%
57	Red 8	000 ⇔ 255	0–100%
58	Fine Red 8	000 ⇔ 255	0–100%
59	Green 8	000 ⇔ 255	0–100%
60	Fine Green 8	000 ⇔ 255	0–100%
61	Blue 8	000 ⇔ 255	0–100%
62	Fine Blue 8	000 ⇔ 255	0–100%
63	White 8	000 ⇔ 255	0–100%
64	Fine White 8	000 ⇔ 255	0–100%
65	Red 9	000 ⇔ 255	0–100%
66	Fine Red 9	000 ⇔ 255	0–100%
67	Green 9	000 ⇔ 255	0–100%
68	Fine Green 9	000 ⇔ 255	0–100%
69	Blue 9	000 ⇔ 255	0–100%
70	Fine Blue 9	000 ⇔ 255	0–100%
71	White 9	000 ⇔ 255	0–100%
72	Fine White 9	000 ⇔ 255	0–100%
73	Red 10	000 ⇔ 255	0–100%
74	Fine Red 10	000 ⇔ 255	0–100%
75	Green 10	000 ⇔ 255	0–100%
76	Fine Green 10	000 ⇔ 255	0–100%
77	Blue 10	000 ⇔ 255	0–100%
78	Fine Blue 10	000 ⇔ 255	0–100%
79	White 10	000 ⇔ 255	0–100%
80	Fine White 10	000 ⇔ 255	0–100%

QUICK REFERENCE GUIDE



EN

Dual Control: Standard Pixels Mode (40-channel)

Channel	Function	Value	Percent/Setting
1	Red 1	000 ⇄ 255	0–100%
2	Green 1	000 ⇄ 255	0–100%
3	Blue 1	000 ⇄ 255	0–100%
4	White 1	000 ⇄ 255	0–100%
5	Red 2	000 ⇄ 255	0–100%
6	Green 2	000 ⇄ 255	0–100%
7	Blue 2	000 ⇄ 255	0–100%
8	White 2	000 ⇄ 255	0–100%
9	Red 3	000 ⇄ 255	0–100%
10	Green 3	000 ⇄ 255	0–100%
11	Blue 3	000 ⇄ 255	0–100%
12	White 3	000 ⇄ 255	0–100%
13	Red 4	000 ⇄ 255	0–100%
14	Green 4	000 ⇄ 255	0–100%
15	Blue 4	000 ⇄ 255	0–100%
16	White 4	000 ⇄ 255	0–100%
17	Red 5	000 ⇄ 255	0–100%
18	Green 5	000 ⇄ 255	0–100%
19	Blue 5	000 ⇄ 255	0–100%
20	White 5	000 ⇄ 255	0–100%
21	Red 6	000 ⇄ 255	0–100%
22	Green 6	000 ⇄ 255	0–100%
23	Blue 6	000 ⇄ 255	0–100%
24	White 6	000 ⇄ 255	0–100%
25	Red 7	000 ⇄ 255	0–100%
26	Green 7	000 ⇄ 255	0–100%
27	Blue 7	000 ⇄ 255	0–100%
28	White 7	000 ⇄ 255	0–100%
29	Red 8	000 ⇄ 255	0–100%
30	Green 8	000 ⇄ 255	0–100%
31	Blue 8	000 ⇄ 255	0–100%
32	White 8	000 ⇄ 255	0–100%
33	Red 9	000 ⇄ 255	0–100%
34	Green 9	000 ⇄ 255	0–100%
35	Blue 9	000 ⇄ 255	0–100%
36	White 9	000 ⇄ 255	0–100%
37	Red 10	000 ⇄ 255	0–100%
38	Green 10	000 ⇄ 255	0–100%
39	Blue 10	000 ⇄ 255	0–100%
40	White 10	000 ⇄ 255	0–100%

Dual Control: Basic Pixels Mode (30-channel)

Channel	Function	Value	Percent/Setting
1	Red 1	000 ⇔ 255	0–100%
2	Green 1	000 ⇔ 255	0–100%
3	Blue 1	000 ⇔ 255	0–100%
4	Red 2	000 ⇔ 255	0–100%
5	Green 2	000 ⇔ 255	0–100%
6	Blue 2	000 ⇔ 255	0–100%
7	Red 3	000 ⇔ 255	0–100%
8	Green 3	000 ⇔ 255	0–100%
9	Blue 3	000 ⇔ 255	0–100%
10	Red 4	000 ⇔ 255	0–100%
11	Green 4	000 ⇔ 255	0–100%
12	Blue 4	000 ⇔ 255	0–100%
13	Red 5	000 ⇔ 255	0–100%
14	Green 5	000 ⇔ 255	0–100%
15	Blue 5	000 ⇔ 255	0–100%
16	Red 6	000 ⇔ 255	0–100%
17	Green 6	000 ⇔ 255	0–100%
18	Blue 6	000 ⇔ 255	0–100%
19	Red 7	000 ⇔ 255	0–100%
20	Green 7	000 ⇔ 255	0–100%
21	Blue 7	000 ⇔ 255	0–100%
22	Red 8	000 ⇔ 255	0–100%
23	Green 8	000 ⇔ 255	0–100%
24	Blue 8	000 ⇔ 255	0–100%
25	Red 9	000 ⇔ 255	0–100%
26	Green 9	000 ⇔ 255	0–100%
27	Blue 9	000 ⇔ 255	0–100%
28	Red 10	000 ⇔ 255	0–100%
29	Green 10	000 ⇔ 255	0–100%
30	Blue 10	000 ⇔ 255	0–100%

Acerca de esta Guía

La Guía de Referencia Rápida (GRR) del Maverick MK Pyxis contiene información básica sobre el producto, como conexión, montaje, opciones de menú y valores DMX. Descargue el Manual de Usuario de www.chauvetprofessional.com para información más detallada.

Exención de Responsabilidad

La información y especificaciones contenidas en esta GRR están sujetas a cambio sin previo aviso.

Notas de Seguridad

Estas notas de seguridad incluyen información importante sobre el montaje, uso y mantenimiento.

- NO abra este producto. No contiene piezas reparables por el usuario.
- NO mire a la fuente de luz cuando el producto esté encendido.
- Para evitar un desgaste innecesario y alargar su vida útil, desconecte complemente el producto de la alimentación, mediante el interruptor o desenchufándolo, durante los periodos en los que no se use.
- CUIDADO: cuando transfiera el producto desde ambientes con temperatura extrema (p. ej., del remolque frío de un camión a una sala de baile con calor y humedad), puede formarse condensación en la electrónica interna del producto. Para evitar que se produzca una avería, deje que el producto se aclimate completamente al ambiente antes de conectar la alimentación.
- CUIDADO: La carcasa de este producto puede estar caliente cuando las luces están en funcionamiento.
- Monte este producto en una ubicación con ventilación adecuada, al menos a 20" (50 cm) de superficies adyacentes.
- NO deje ningún material inflamable a menos de 50 cm de este producto mientras esté funcionando o conectado a la alimentación.
- USE un cable de seguridad cuando monte este producto en lo alto.
- NO ponga en funcionamiento este producto en el exterior o en cualquier ubicación en la que el polvo, calor excesivo, agua o humedad puedan afectarlo. (IP20)
- NO ponga en funcionamiento este producto si sospecha que la carcasa, lentes o cables están dañados.
- NO conecte este producto a un atenuador o reostato.
- Conecte este producto SOLO a un circuito con toma de tierra y protegido.
- Use SOLAMENTE los soportes de montaje o las asas para mover este producto. NO lo transporte agarrando por la cabeza móvil.
- En caso de un problema grave de funcionamiento, deje de usarlo inmediatamente.
- La temperatura ambiente máxima es de 113 °F (45 °C). No haga funcionar este producto a temperaturas más altas.

Contacto

Fuera de EE.UU, Reino Unido, Irlanda, México o Benelux, póngase en contacto con su distribuidor para solicitar asistencia o devolver el producto. Visite www.chauvetprofessional.com para información de contacto.

Qué va Incluido

- Maverick MK Pyxis
- Cable de alimentación Seetronic Powerkon
- 2 soportes Omega con material de montaje
- Tarjeta de Garantía
- Guía de Referencia Rápida

Corriente Alterna

Este producto tiene una fuente de alimentación con detección automática que puede funcionar con un rango de tensión de entrada de 100–240 VCA, 50/60 Hz.

Enchufe CA

Conexión	Cable (EE.UU)	Cable (Europa)	Color del Tornillo
CA Cargado	Negro	Marrón	Amarillo/Bronce
CA Neutro	Blanco	Azul	Plata
CA Tierra	Verde/Amarillo	Verde/Amarillo	Verde



Para evitar un desgaste innecesario y alargar su vida útil, desconecte complemente el producto de la alimentación, mediante el interruptor o desenchufándolo, durante los periodos en los que no se use.

Alimentación en Cadena

Puede enlazar hasta 6 productos Maverick MK Pyxis a 120 V, 11 productos a 208 V o 12 productos a 230 V. Nunca sobrepase este número. Los cables de alimentación en cadena se pueden adquirir por separado.

Sustitución del Fusible

1. Desconecte este producto de la alimentación.
2. Utilizando un destornillador plano, desatornille la tapa del portafusibles de la carcasa.
3. Quite el fusible fundido del portafusibles y sustitúyalo con uno nuevo del mismo tipo y categoría.
4. Vuelva a atornillar la tapa del portafusibles en su sitio y conecte de nuevo la alimentación.

Conexiones de señal

Puede enlazar el Maverick MK Pyxis a un controlador o software controlador usando una conexión DMX, una conexión Ethernet o ambas. Si está usando otros productos compatibles con Art-Net™, sACN o Kling-Netcon, el Maverick MK Pyxis puede controlar cada uno individualmente en una sola red. Consulte el Manual de usuario para obtener información sobre cómo conectar y configurar el producto para estas señales.

Personalidades de control

El Maverick MK Pyxis utiliza DMX, Art-Net™, sACN, WDMX y Kling-Net para sus personalidades de control:

Single Control	Dual Control Movement	Dual Control Pixels
Basic (26-canal)	Basic (13-canal)	Basic (30-canal)
Standard (66-canal)	Standard (30-canal)	Standard (40-canal)
Advanced (113-canal)	Advanced (41-canal)	Advanced (80-canal)
Tour (131-canal)		
Utiliza DMX, Art-Net™, sACN o WDMX	Utiliza DMX, Art-Net™ o sACN	Utiliza DMX, Art-Net™, sACN o Kling-Net



En el modo “Dual Control”, el protocolo de “Movement” y el protocolo de “Pixels” no pueden ser el mismo.

Conexión DMX

El Maverick MK Pyxis funcionará con un controlador DMX usando una conexión de datos DMX de 3 o 5 pines. Hay un Manual DMX disponible en www.chauvetprofessional.com.

Conexión Art-Net™

Art-Net™ es un protocolo Ethernet que utiliza TCP/IP para transferir gran cantidad de datos DMX512 usando una conexión etherCON RJ45 sobre una red de gran tamaño. Hay disponible un documento sobre el protocolo Art-Net™ desde www.chauvetprofessional.com. Chauvet Professional recomienda la utilización de modo Unicast para mejores resultados.

Art-Net™ diseñado y copyright por Artistic Licence Holdings Ltd.

Conexión sACN

También conocido como ANSI E1.31, el streaming ACN es un protocolo Ethernet que usa las capas y formato de Architecture for Control Networks (arquitectura para redes de control) para transportar datos DMX512 sobre IP o cualquier otra red compatible con ACN. El mantenimiento de ACN corre a cargo de la Professional Lighting and Sound Association (Asociación de Sonido e Iluminación Profesional, PLASA).

Conexión Kling-Net

Kling-Net es un protocolo de red que permite la autoconfiguración de los dispositivos de imagen usando una conexión Ethernet etherCON RJ45. Consulte el manual del software ArKaos para instrucciones detalladas sobre la programación de este producto.



Para un funcionamiento fluido, ArKaos Kling-Net precisa una tarjeta Ethernet a gigabit (1000 Mbps) y un router de red.



ArKaos Kling-Net solo ejecutará los modos Standard Píxels o Basic Píxels.

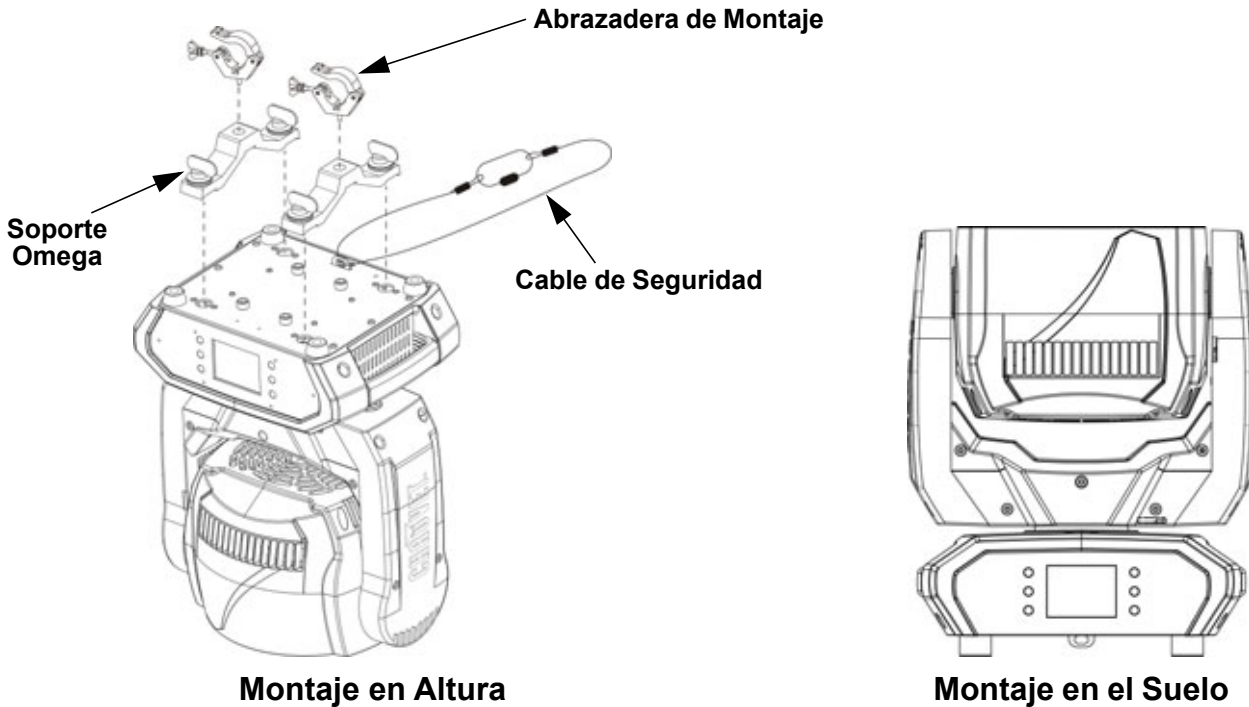
RDM (gestión remota del dispositivo)

Remote Device Management (gestión remota del dispositivo) o RDM, es un estándar que permite a los dispositivos con capacidad DMX una comunicación bidireccional por un cableado DMX existente. El Maverick MK Pyxis admite protocolo RDM, que posibilita información para supervisar la temperatura y cambiar opciones del menú. Descargue el manual de usuario de www.chauvetprofessional.com para una información más detallada.

Montaje

Antes de montar este producto, lea las [Notas de Seguridad](#). Utilice al menos dos puntos de montaje por producto. Asegúrese de que las abrazaderas de montaje son capaces de soportar el peso del producto. Para nuestra línea Chauvet de abrazaderas de montaje, visite <http://trusst.com/products>.

Diagrama de Montaje



Panel de control con pantalla táctil

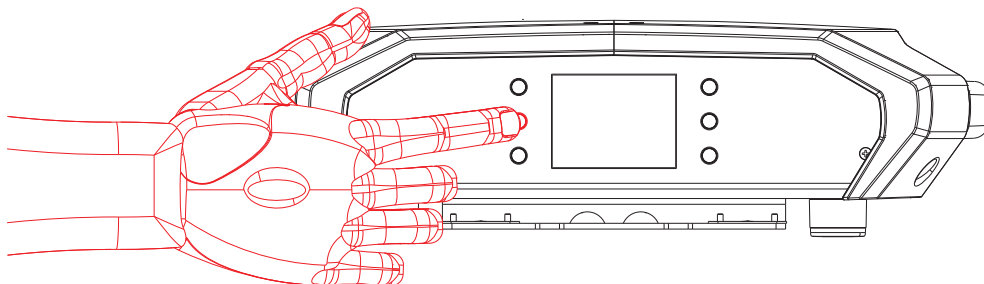
El Maverick MK Pyxis dispone de una pantalla táctil y de 6 botones de control. La pantalla táctil se puede bloquear y calibrar a través de las opciones de **Setup** (configuración) en el menú.

Descripción del Panel de Control

Botón	Función
< ↑ >	Navega hacia arriba por la lista de menú o aumenta el valor numérico cuando está en una función
< ≡ >	Sale del menú o función actual
< ↓ >	Navega hacia abajo por la lista de menú o disminuye el valor numérico cuando está en una función
< ← >	Navega hacia la izquierda por la lista de menú
< ↶ >	Habilita el menú actualmente en pantalla o configura el valor seleccionado actualmente dentro de la función seleccionada
< → >	Navega hacia la derecha por la lista de menú

Pantalla alimentada con batería

Pulse y mantenga pulsado hasta que aparezca la pantalla de menú (aprox. 15 s).



Mapa de Menú

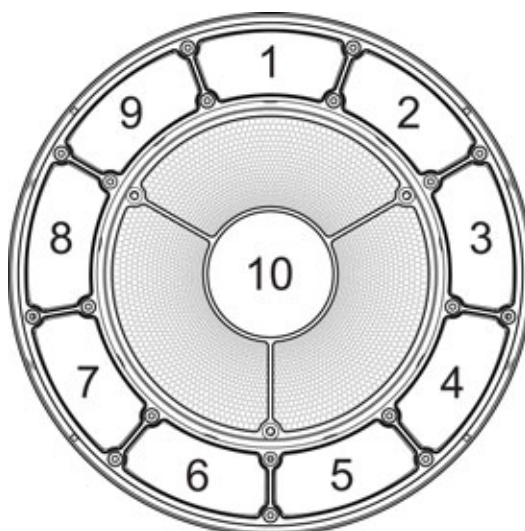
Niveles de Programación				Descripción	
Control Settings				Control Settings Nivel Principal	
Single Control	DMX	Personality	Basic	Configura la personalidad DMX (vea Personalidades de control)	
			Standard		
			Advanced		
			Tour		
		Start Address	0–512	Configura la dirección DMX de inicio	
	ArtNet	Personality	Basic	Configura la personalidad Art-Net™ (vea Personalidades de control)	
			Standard		
			Advanced		
			Tour		
			Start Address		0–512
		Universe	0–255	Configura el universo Art-Net™	
	sACN	Personality	Basic	Configura la personalidad sACN (vea Personalidades de control)	
			Standard		
			Advanced		
			Tour		
			Start Address		0–512
	Universe	0–255	Configura el universo sACN		
WDMX	Personality	Basic	Configura la personalidad WDMX (vea Personalidades de control)		
		Standard			
		Advanced			
		Tour			
	Start Address	0–512	Configura la dirección WDMX de inicio		
Control Settings	Movement	DMX	Basic	Configura la personalidad DMX (vea Personalidades de control)	
			Standard		
			Advanced		
			Start Address		0–512
		ArtNet	Personality	Basic	Configura la personalidad Art-Net™ (vea Personalidades de control)
				Standard	
				Advanced	
				Start Address	
			Universe	0–255	Configura el universo Art-Net™
		sACN	Personality	Basic	Configura la personalidad sACN (vea Personalidades de control)
				Standard	
				Advanced	
	Start Address			0–512	
		Universe	0–255	Configura el universo sACN	
	Dual Control	Pixels	DMX	Basic	Configura la personalidad DMX (vea Personalidades de control)
				Standard	
Advanced					
Start Address				0–512	
ArtNet		Personality	Basic	Configura la personalidad Art-Net™ (vea Personalidades de control)	
			Standard		
			Advanced		
			Start Address		0–512
	Universe	0–255	Configura el universo Art-Net™		
sACN	Personality	Basic	Configura la personalidad sACN (vea Personalidades de control)		
		Standard			
		Advanced			
		Start Address		0–512	Configura la dirección sACN de inicio
	Universe	0–255	Configura el universo sACN		
	KlingNet	Personality	Basic	Configura la personalidad Kling-Net (vea Personalidades de control)	
			Standard		

Niveles de Programación			Descripción	
Test Mode			Test Mode Nivel Principal	
Test Mode	Auto Test		Prueba automática de todas las funciones	
	Manual Test	Pan	000-255	Controlar y probar todas las funciones a través del panel de control
		Tilt		
		P/T Speed		
		Red		
		Green		
		Blue		
		White		
		CTC		
		Color		
		Pattern		
		LED Macro		
		LED Ma. Speed		
		LED Ma. Fade		
		Background		
		Background Dim.		
		Dimmer		
Shutter				
Function				
Zoom				
Setup			Setup Nivel Principal	
Network Settings	IP Mode	Manual	Configurar la dirección IP manualmente	
		DHCP	La red configura la dirección IP	
		Static	El producto configura la dirección IP	
	IP	-----	Configurar la dirección IP en modo Manual	
	SubMask	-----	Configurar la máscara de subred en modo Manual	
Pan Reverse	NO		Desplazamiento lateral normal	
	YES		Desplazamiento lateral inversa	
Tilt Reverse	NO		Inclinación normal	
	YES		Inclinación inversa	
Zoom Reverse	NO		Zoom normal	
	YES		Zoom invertido	
Screen Reverse	NO		Pantalla normal	
	YES		Pantalla inversa	
	AUTO		Orientación de pantalla automático	
Pan Angle	540		Rango de desplazamiento lateral: 540°	
	360		Rango de desplazamiento lateral: 360°	
	180		Rango de desplazamiento lateral: 180°	
Tilt Angle	270		Rango de inclinación: 270°	
	180		Rango de inclinación: 180°	
	90		Rango de inclinación: 90°	
BL. O. P/T Move	NO		No blackout mientras P/T	
	YES		Blackout mientras P/T	
Calibration	NO		Mantener la configuración actual	
	YES		Calibrar la pantalla táctil	
Touchscreen Lock	NO		La pantalla responden al toque	
	YES		La pantalla no responde al toque	
Lock Screen	NO		Bloqueo los botones y pantalla táctil	
	YES		Contraseña: 0920	
Swap XY	NO		No intercambiar panorámica e inclinación	
	YES		Panorámica controla inclinación, y viceversa	
WDMX Reset	NO		No restablecer WDMX	
	YES		Restablecer WDMX	

Niveles de Programación			Descripción	
Setup (cont.)			Setup Nivel Principal (cont.)	
Setup (cont.)	Backlight Timer	30S	La pantalla se apaga a los 30 segundos	
		1M	La pantalla se apaga al cabo de 1 minuto	
		5M	La pantalla se apaga al cabo de 5 minutos	
	Loss of Data	ON	La pantalla permanece encendida	
		Hold	Mantiene la última señal recibida	
	Fans	Close	Pone el dispositivo en blackout	
		Auto	Velocidad del ventilador según la temperatura del producto	
		Full	Velocidad del ventilador siempre alta	
		ECO	Modo silencioso	
	C Mixing Mode	RGBW	Mezcla de color aditivo (0–100%)	
		CMY	Mezcla de color sustractivo (100%–0)	
	Dimmer Curve	Linear	Configura la curva del atenuador	
		Square		
		I Squa		
		SCurve		
	Dimmer Speed	Smooth	Cambia la velocidad del atenuador	
		Fast		
	PWM Option	600Hz	Selecciona la frecuencia de emisión PWM	
		1200Hz		
		2000Hz		
4000Hz				
6000Hz				
Color Balance	Red	000–255	Configura el valor máximo del LED rojo	
	Green		Configura el valor máximo del LED verde	
	Blue		Configura el valor máximo del LED azul	
	White		Configura el valor máximo del LED rojo	
Preset Select	PRESET A	Opciones de menú preconfiguradas grabadas		
	PRESET B			
	PRESET C			
Preset Sync	NO	Permite transferir las opciones de menú preconfiguradas grabadas a otros Maverick MK Pyxis de la cadena DMX		
	YES			
Reset Function	Pan/Tilt	NO	Restablece las funciones individuales o todas las funciones desde el arranque	
		YES		
	Zoom	NO		
		YES		
All	NO			
	YES			
Factory Settings	NO	Restablece el dispositivo a la configuración de fábrica		
	YES			
Sys Info			Sys Info Nivel Principal	
Sys Info	Fixture Information	Ver	V_	Muestra la versión de firmware
		Running Mode	---	Muestra el modo de ejecución actual
		Address	---	Muestra la dirección de inicio actual
		Temperature	---	Muestra la temperatura actual del producto en °C
		Fixture Hours	-----	Muestra el número de horas que el producto ha estado encendido
		Ip	-----	Muestra la dirección IP actual
		SubMask	-----	Muestra la máscara de subred actual
	MAC	-----	Muestra la dirección MAC actual	
Fan Information	Head Fan1 Speed	----	Muestra la velocidad de los ventiladores de la cabeza en rpm	
	Head Fan2 Speed	----		

Niveles de Programación		Descripción
Sys Info (cont.)		Sys Info Nivel Principal (cont.)
Error Information	No Error!*	Muestra cualquier error o "No Error!"
Sys Info (cont.) Channel Information	Frequency	---
	Pan	
	Pan Fine	
	Tilt	
	Tilt Fine	
	Pan Rotation	
	Tilt Rotation	
	P/T Speed	
	CTC	
	Color (1-2)	
	Pattern	
	LED Macro	
	LED Ma. Speed	
	LED Ma. Fine	
	Background	
	Background Dim.	
	Bg. Dim. Fine	
	Dimmer (A-B)	
	Dimmer Fine (A-B)	
	Shutter (1-2)	
	Zoom	
	Function	
	Red (todo, 1-10)	
	Red Fine (todo, 1-10)	
	Green (todo, 1-10)	
	Green fine (todo, 1-10)	
	Blue (todo, 1-10)	
	Blue Fine (todo, 1-10)	
	White (todo, 1-10)	
	White Fine (todo, 1-10)	
Dimmer (1-10)		
Dimmer Fine (1-10)		
		Muestra todos los valores actuales de las señales de entrada, 000-255

Zonas para control de píxel



Valores “Single Control”

“Single Control”: Modo “Tour” (131-canal)

Canal	Función	Valor	Porcentaje/Configuración
1	Movimiento panorámico	000 ⇔ 255	0–100%
2	Movimiento panorámico fino	000 ⇔ 255	0–100%
3	Inclinación	000 ⇔ 255	0–100%
4	Inclinación fino	000 ⇔ 255	0–100%
5	Movimiento panorámico continua	000	Sin función
		001 ⇔ 127	Movimiento panorámico continua, rápido a lento
		128	Sin función
		129 ⇔ 255	Movimiento panorámico continua inverso, lento a rápido
6	Inclinación continua	000	Sin función
		001 ⇔ 127	Inclinación continua, rápido a lento
		128	Sin función
		129 ⇔ 255	Inclinación continua inverso, lento a rápido
7	Velocidad de movimiento panorámico / inclinación	000 ⇔ 255	Rápido a lento
8	CTC	000	Sin función
		001 ⇔ 255	Temperature de color, 2800–10000 K
9	Color del anillo	000	Sin función
		001 ⇔ 002	2700K R = 156 G = 118 B = 0 W = 63
		003 ⇔ 004	3200K R = 156 G = 141 B = 5 W = 89
		005 ⇔ 006	4200K R = 156 G = 141 B = 14 W = 255
		007 ⇔ 008	5600K R = 156 G = 207 B = 54 W = 255
		009 ⇔ 010	8000K R = 130 G = 255 B = 96 W = 255
		011	Azul R = 0 G = 0 B = 255 W = 0
		012 ⇔ 048	+ verde R = 0 G = 0–255 B = 255 W = 0
		049	Cyan R = 0 G = 255 B = 255 W = 0
		050 ⇔ 086	- azul R = 0 G = 255 B = 255–0 W = 0
		087	Verde R = 0 G = 255 B = 0 W = 0
		088 ⇔ 124	+ rojo R = 0–255 G = 255 B = 0 W = 0
		125	Amarillo R = 255 G = 255 B = 0 W = 0
		126 ⇔ 162	- verde R = 255 G = 255–0 B = 0 W = 0
		163	Rojo R = 255 G = 0 B = 0 W = 0
		164 ⇔ 200	+ azul R = 255 G = 0 B = 0–255 W = 0
		201	Magenta R = 255 G = 0 B = 255 W = 0
		202 ⇔ 238	- rojo R = 255–0 G = 0 B = 255 W = 0
		239	Azul R = 0 G = 0 B = 255 W = 0
		240 ⇔ 247	Cambio de color, rápido a lento
248 ⇔ 255	Salto de color, rápido a lento		

Canal	Función	Valor	Porcentaje/Configuración				
10	Color del haz	000	Sin función				
		001 ⇄ 002	2700K	R = 156	G = 118	B = 0	W = 63
		003 ⇄ 004	3200K	R = 156	G = 141	B = 5	W = 89
		005 ⇄ 006	4200K	R = 156	G = 141	B = 14	W = 255
		007 ⇄ 008	5600K	R = 156	G = 207	B = 54	W = 255
		009 ⇄ 010	8000K	R = 130	G = 255	B = 96	W = 255
		011	Azul	R = 0	G = 0	B = 255	W = 0
		012 ⇄ 048	+ verde	R = 0	G = 0–255	B = 255	W = 0
		049	Cyan	R = 0	G = 255	B = 255	W = 0
		050 ⇄ 086	- azul	R = 0	G = 255	B = 255–0	W = 0
		087	Verde	R = 0	G = 255	B = 0	W = 0
		088 ⇄ 124	+ rojo	R = 0–255	G = 255	B = 0	W = 0
		125	Amarillo	R = 255	G = 255	B = 0	W = 0
		126 ⇄ 162	- verde	R = 255	G = 255–0	B = 0	W = 0
		163	Rojo	R = 255	G = 0	B = 0	W = 0
		164 ⇄ 200	+ azul	R = 255	G = 0	B = 0–255	W = 0
		201	Magenta	R = 255	G = 0	B = 255	W = 0
		202 ⇄ 238	- rojo	R = 255–0	G = 0	B = 255	W = 0
		239	Azul	R = 0	G = 0	B = 255	W = 0
		240 ⇄ 247	Cambio de color, rápido a lento				
248 ⇄ 255	Salto de color, rápido a lento						
11	Gobo	000	Sin función				
		001 ⇄ 255	Gobos (indexado)				
12	Macro LED / Programa automático	000 ⇄ 015	Sin función				
		016 ⇄ 135	Macros LED				
		136 ⇄ 255	Programas automáticos				
13	Velocidad Macro LED / Programa automático	000 ⇄ 127	Rápido a lento sentido horario				
		128	Mantener				
		129 ⇄ 255	Lento a rápido, sentido antihorario				
14	Retardo LED integrado	000 ⇄ 255	Rápido a lento				
15	Color de fondo	000	Sin función				
		001 ⇄ 002	2700K	R = 156	G = 118	B = 0	W = 63
		003 ⇄ 004	3200K	R = 156	G = 141	B = 5	W = 89
		005 ⇄ 006	4200K	R = 156	G = 141	B = 14	W = 255
		007 ⇄ 008	5600K	R = 156	G = 207	B = 54	W = 255
		009 ⇄ 010	8000K	R = 130	G = 255	B = 96	W = 255
		011	Azul	R = 0	G = 0	B = 255	W = 0
		012 ⇄ 048	+ verde	R = 0	G = 0–255	B = 255	W = 0
		049	Cyan	R = 0	G = 255	B = 255	W = 0
		050 ⇄ 086	- azul	R = 0	G = 255	B = 255–0	W = 0
		087	Verde	R = 0	G = 255	B = 0	W = 0
		088 ⇄ 124	+ rojo	R = 0–255	G = 255	B = 0	W = 0
		125	Amarillo	R = 255	G = 255	B = 0	W = 0
		126 ⇄ 162	- verde	R = 255	G = 255–0	B = 0	W = 0
		163	Rojo	R = 255	G = 0	B = 0	W = 0
		164 ⇄ 200	+ azul	R = 255	G = 0	B = 0–255	W = 0
		201	Magenta	R = 255	G = 0	B = 255	W = 0
		202 ⇄ 238	- rojo	R = 255–0	G = 0	B = 255	W = 0
		239	Azul	R = 0	G = 0	B = 255	W = 0
		240 ⇄ 247	Cambio de color, rápido a lento				
248 ⇄ 255	Salto de color, rápido a lento						
16	Atenuador fondo	000 ⇄ 255	0–100%				
17	Atenuador fondo fino	000 ⇄ 255	0–100%				
18	Atenuador principal	000 ⇄ 255	0–100%				
19	Atenuador principal fino	000 ⇄ 255	0–100%				

Canal	Función	Valor	Porcentaje/Configuración
20	Obturador del anillo	000 ⇔ 019	Apagado
		020 ⇔ 024	Encendido
		025 ⇔ 069	Estroboscopio, rápido a lento
		070 ⇔ 089	Estroboscopio 100–0%, rápido a lento
		090 ⇔ 109	Estroboscopio 0–100%, rápido a lento
		110 ⇔ 129	Estroboscopio aleatorio, rápido a lento
		130 ⇔ 149	Estroboscopio aleatorio 100–0%, rápido a lento
		150 ⇔ 169	Estroboscopio aleatorio 0–100%, rápido a lento
		170 ⇔ 189	Estroboscopio pulso, rápido a lento
		190 ⇔ 209	Estroboscopio pulso aleatorio, rápido a lento
		210 ⇔ 229	Estroboscopio 0–100–0%, rápido a lento
		230 ⇔ 244	Estroboscopio pulso aleatorio, rápido a lento
		245 ⇔ 255	Encendido
21	Obturador del haz	000 ⇔ 019	Apagado
		020 ⇔ 024	Encendido
		025 ⇔ 069	Estroboscopio, rápido a lento
		070 ⇔ 089	Estroboscopio 100–0%, rápido a lento
		090 ⇔ 109	Estroboscopio 0–100%, rápido a lento
		110 ⇔ 129	Estroboscopio aleatorio, rápido a lento
		130 ⇔ 149	Estroboscopio aleatorio 100–0%, rápido a lento
		150 ⇔ 169	Estroboscopio aleatorio 0–100%, rápido a lento
		170 ⇔ 189	Estroboscopio pulso, rápido a lento
		190 ⇔ 209	Estroboscopio pulso aleatorio, rápido a lento
		210 ⇔ 229	Estroboscopio 0–100–0%, rápido a lento
		230 ⇔ 244	Estroboscopio pulso aleatorio, rápido a lento
		245 ⇔ 255	Encendido
22	Zoom	000 ⇔ 255	Ancho a estrecho
23	Control	000 ⇔ 009	Sin función
		010 ⇔ 014	Blackout panorámica/inclinación
		015 ⇔ 019	Reservado para usos futuros
		020 ⇔ 024	Modo de mezcla de color RGBW (adición)
		025 ⇔ 029	Modo de mezcla de color CMY (sustracción)
		030 ⇔ 049	Reservado para usos futuros
		050 ⇔ 054	Reiniciar movimiento panorámico
		055 ⇔ 059	Reiniciar inclinación
		060 ⇔ 064	Restablecer zoom
		065 ⇔ 069	Reservado para usos futuros
		070 ⇔ 074	Reiniciar todo
		075 ⇔ 109	Reservado para usos futuros
		110 ⇔ 114	Velocidad alta panorámica/Inclinación
		115 ⇔ 119	Velocidad baja panorámica/Inclinación
		120 ⇔ 124	Modo de ventilador lento
		125 ⇔ 129	Modo de ventilador al máximo
		130 ⇔ 134	Modo de ventilador automático
135 ⇔ 139	Modo de atenuador rápido		
140 ⇔ 144	Modo de atenuador lento		
145 ⇔ 255	Reservado para usos futuros		
24	Rojo principal	000 ⇔ 255	0–100%
25	Rojo principal fino	000 ⇔ 255	0–100%
26	Verde principal	000 ⇔ 255	0–100%
27	Verde principal fino	000 ⇔ 255	0–100%
28	Azul principal	000 ⇔ 255	0–100%
29	Azul principal fino	000 ⇔ 255	0–100%
30	Blanco principal	000 ⇔ 255	0–100%
31	Blanco principal fino	000 ⇔ 255	0–100%

Canal	Función	Valor	Porcentaje/Configuración
32	Atenuador 1	000 ⇄ 255	0–100%
33	Atenuador fino 1	000 ⇄ 255	0–100%
34	Rojo 1	000 ⇄ 255	0–100%
35	Rojo fino 1	000 ⇄ 255	0–100%
36	Verde 1	000 ⇄ 255	0–100%
37	Verde fino 1	000 ⇄ 255	0–100%
38	Azul 1	000 ⇄ 255	0–100%
39	Azul fino 1	000 ⇄ 255	0–100%
40	Blanco 1	000 ⇄ 255	0–100%
41	Blanco fino 1	000 ⇄ 255	0–100%
42	Atenuador 2	000 ⇄ 255	0–100%
43	Atenuador fino 2	000 ⇄ 255	0–100%
44	Rojo 2	000 ⇄ 255	0–100%
45	Rojo fino 2	000 ⇄ 255	0–100%
46	Verde 2	000 ⇄ 255	0–100%
47	Verde fino 2	000 ⇄ 255	0–100%
48	Azul 2	000 ⇄ 255	0–100%
49	Azul fino 2	000 ⇄ 255	0–100%
50	Blanco 2	000 ⇄ 255	0–100%
51	Blanco fino 2	000 ⇄ 255	0–100%
52	Atenuador 3	000 ⇄ 255	0–100%
53	Atenuador fino 3	000 ⇄ 255	0–100%
54	Rojo 3	000 ⇄ 255	0–100%
55	Rojo fino 3	000 ⇄ 255	0–100%
56	Verde 3	000 ⇄ 255	0–100%
57	Verde fino 3	000 ⇄ 255	0–100%
58	Azul 3	000 ⇄ 255	0–100%
59	Azul fino 3	000 ⇄ 255	0–100%
60	Blanco 3	000 ⇄ 255	0–100%
61	Blanco fino 3	000 ⇄ 255	0–100%
62	Atenuador 4	000 ⇄ 255	0–100%
63	Atenuador fino 4	000 ⇄ 255	0–100%
64	Rojo 4	000 ⇄ 255	0–100%
65	Rojo fino 4	000 ⇄ 255	0–100%
66	Verde 4	000 ⇄ 255	0–100%
67	Verde fino 4	000 ⇄ 255	0–100%
68	Azul 4	000 ⇄ 255	0–100%
69	Azul fino 4	000 ⇄ 255	0–100%
70	Blanco 4	000 ⇄ 255	0–100%
71	Blanco fino 4	000 ⇄ 255	0–100%
72	Atenuador 5	000 ⇄ 255	0–100%
73	Atenuador fino 5	000 ⇄ 255	0–100%
74	Rojo 5	000 ⇄ 255	0–100%
75	Rojo fino 5	000 ⇄ 255	0–100%
76	Verde 5	000 ⇄ 255	0–100%
77	Verde fino 5	000 ⇄ 255	0–100%
78	Azul 5	000 ⇄ 255	0–100%
79	Azul fino 5	000 ⇄ 255	0–100%
80	Blanco 5	000 ⇄ 255	0–100%
81	Blanco fino 5	000 ⇄ 255	0–100%
82	Atenuador 6	000 ⇄ 255	0–100%
83	Atenuador fino 6	000 ⇄ 255	0–100%
84	Rojo 6	000 ⇄ 255	0–100%
85	Rojo fino 6	000 ⇄ 255	0–100%

Canal	Función	Valor	Porcentaje/Configuración
86	Verde 6	000 ⇔ 255	0-100%
87	Verde fino 6	000 ⇔ 255	0-100%
88	Azul 6	000 ⇔ 255	0-100%
89	Azul fino 6	000 ⇔ 255	0-100%
90	Blanco 6	000 ⇔ 255	0-100%
91	Blanco fino 6	000 ⇔ 255	0-100%
92	Atenuador 7	000 ⇔ 255	0-100%
93	Atenuador fino 7	000 ⇔ 255	0-100%
94	Rojo 7	000 ⇔ 255	0-100%
95	Rojo fino 7	000 ⇔ 255	0-100%
96	Verde 7	000 ⇔ 255	0-100%
97	Verde fino 7	000 ⇔ 255	0-100%
98	Azul 7	000 ⇔ 255	0-100%
99	Azul fino 7	000 ⇔ 255	0-100%
100	Blanco 7	000 ⇔ 255	0-100%
101	Blanco fino 7	000 ⇔ 255	0-100%
102	Atenuador 8	000 ⇔ 255	0-100%
103	Atenuador fino 8	000 ⇔ 255	0-100%
104	Rojo 8	000 ⇔ 255	0-100%
105	Rojo fino 8	000 ⇔ 255	0-100%
106	Verde 8	000 ⇔ 255	0-100%
107	Verde fino 8	000 ⇔ 255	0-100%
108	Azul 8	000 ⇔ 255	0-100%
109	Azul fino 8	000 ⇔ 255	0-100%
110	Blanco 8	000 ⇔ 255	0-100%
111	Blanco fino 8	000 ⇔ 255	0-100%
112	Atenuador 9	000 ⇔ 255	0-100%
113	Atenuador fino 9	000 ⇔ 255	0-100%
114	Rojo 9	000 ⇔ 255	0-100%
115	Rojo fino 9	000 ⇔ 255	0-100%
116	Verde 9	000 ⇔ 255	0-100%
117	Verde fino 9	000 ⇔ 255	0-100%
118	Azul 9	000 ⇔ 255	0-100%
119	Azul fino 9	000 ⇔ 255	0-100%
120	Blanco 9	000 ⇔ 255	0-100%
121	Blanco fino 9	000 ⇔ 255	0-100%
122	Atenuador 10	000 ⇔ 255	0-100%
123	Atenuador fino 10	000 ⇔ 255	0-100%
124	Rojo 10	000 ⇔ 255	0-100%
125	Rojo fino 10	000 ⇔ 255	0-100%
126	Verde 10	000 ⇔ 255	0-100%
127	Verde fino 10	000 ⇔ 255	0-100%
128	Azul 10	000 ⇔ 255	0-100%
129	Azul fino 10	000 ⇔ 255	0-100%
130	Blanco 10	000 ⇔ 255	0-100%
131	Blanco fino 10	000 ⇔ 255	0-100%

“Single Control”: Modo “Advanced” (113-canal)

Canal	Función	Valor	Porcentaje/Configuración
1	Movimiento panorámico	000 ⇔ 255	0–100%
2	Movimiento panorámico fino	000 ⇔ 255	0–100%
3	Inclinación	000 ⇔ 255	0–100%
4	Inclinación fino	000 ⇔ 255	0–100%
5	Movimiento panorámico continua	000	Sin función
		001 ⇔ 127	Movimiento panorámico continua, rápido a lento
		128	Sin función
		129 ⇔ 255	Movimiento panorámico continua inverso, lento a rápido
6	Inclinación continua	000	Sin función
		001 ⇔ 127	Inclinación continua, rápido a lento
		128	Sin función
		129 ⇔ 255	Inclinación continua inverso, lento a rápido
7	Velocidad de movimiento panorámico / inclinación	000 ⇔ 255	Rápido a lento
8	CTC	000	Sin función
		001 ⇔ 255	Temperature de color, 2800–10000 K
9	Color del anillo	000	Sin función
		001 ⇔ 002	2700K R = 156 G = 118 B = 0 W = 63
		003 ⇔ 004	3200K R = 156 G = 141 B = 5 W = 89
		005 ⇔ 006	4200K R = 156 G = 141 B = 14 W = 255
		007 ⇔ 008	5600K R = 156 G = 207 B = 54 W = 255
		009 ⇔ 010	8000K R = 130 G = 255 B = 96 W = 255
		011	Azul R = 0 G = 0 B = 255 W = 0
		012 ⇔ 048	+ verde R = 0 G = 0–255 B = 255 W = 0
		049	Cyan R = 0 G = 255 B = 255 W = 0
		050 ⇔ 086	- azul R = 0 G = 255 B = 255–0 W = 0
		087	Verde R = 0 G = 255 B = 0 W = 0
		088 ⇔ 124	+ rojo R = 0–255 G = 255 B = 0 W = 0
		125	Amarillo R = 255 G = 255 B = 0 W = 0
		126 ⇔ 162	- verde R = 255 G = 255–0 B = 0 W = 0
		163	Rojo R = 255 G = 0 B = 0 W = 0
		164 ⇔ 200	+ azul R = 255 G = 0 B = 0–255 W = 0
		201	Magenta R = 255 G = 0 B = 255 W = 0
		202 ⇔ 238	- rojo R = 255–0 G = 0 B = 255 W = 0
		239	Azul R = 0 G = 0 B = 255 W = 0
		240 ⇔ 247	Cambio de color, rápido a lento
248 ⇔ 255	Salto de color, rápido a lento		

Canal	Función	Valor	Porcentaje/Configuración				
10	Color del haz	000	Sin función				
		001 ⇔ 002	2700K	R = 156	G = 118	B = 0	W = 63
		003 ⇔ 004	3200K	R = 156	G = 141	B = 5	W = 89
		005 ⇔ 006	4200K	R = 156	G = 141	B = 14	W = 255
		007 ⇔ 008	5600K	R = 156	G = 207	B = 54	W = 255
		009 ⇔ 010	8000K	R = 130	G = 255	B = 96	W = 255
		011	Azul	R = 0	G = 0	B = 255	W = 0
		012 ⇔ 048	+ verde	R = 0	G = 0-255	B = 255	W = 0
		049	Cyan	R = 0	G = 255	B = 255	W = 0
		050 ⇔ 086	- azul	R = 0	G = 255	B = 255-0	W = 0
		087	Verde	R = 0	G = 255	B = 0	W = 0
		088 ⇔ 124	+ rojo	R = 0-255	G = 255	B = 0	W = 0
		125	Amarillo	R = 255	G = 255	B = 0	W = 0
		126 ⇔ 162	- verde	R = 255	G = 255-0	B = 0	W = 0
		163	Rojo	R = 255	G = 0	B = 0	W = 0
		164 ⇔ 200	+ azul	R = 255	G = 0	B = 0-255	W = 0
		201	Magenta	R = 255	G = 0	B = 255	W = 0
		202 ⇔ 238	- rojo	R = 255-0	G = 0	B = 255	W = 0
		239	Azul	R = 0	G = 0	B = 255	W = 0
		240 ⇔ 247	Cambio de color, rápido a lento				
248 ⇔ 255	Salto de color, rápido a lento						
11	Gobo	000	Sin función				
		001 ⇔ 255	Gobos (indexado)				
12	Macro LED / Programa automático	000 ⇔ 015	Sin función				
		016 ⇔ 135	Macros LED				
		136 ⇔ 255	Programas automáticos				
13	Velocidad Macro LED / Programa automático	000 ⇔ 127	Rápido a lento sentido horario				
		128	Mantener				
		129 ⇔ 255	Lento a rápido, sentido antihorario				
14	Retardo LED integrado	000 ⇔ 255	Rápido a lento				
15	Color de fondo	000	Sin función				
		001 ⇔ 002	2700K	R = 156	G = 118	B = 0	W = 63
		003 ⇔ 004	3200K	R = 156	G = 141	B = 5	W = 89
		005 ⇔ 006	4200K	R = 156	G = 141	B = 14	W = 255
		007 ⇔ 008	5600K	R = 156	G = 207	B = 54	W = 255
		009 ⇔ 010	8000K	R = 130	G = 255	B = 96	W = 255
		011	Azul	R = 0	G = 0	B = 255	W = 0
		012 ⇔ 048	+ verde	R = 0	G = 0-255	B = 255	W = 0
		049	Cyan	R = 0	G = 255	B = 255	W = 0
		050 ⇔ 086	- azul	R = 0	G = 255	B = 255-0	W = 0
		087	Verde	R = 0	G = 255	B = 0	W = 0
		088 ⇔ 124	+ rojo	R = 0-255	G = 255	B = 0	W = 0
		125	Amarillo	R = 255	G = 255	B = 0	W = 0
		126 ⇔ 162	- verde	R = 255	G = 255-0	B = 0	W = 0
		163	Rojo	R = 255	G = 0	B = 0	W = 0
		164 ⇔ 200	+ azul	R = 255	G = 0	B = 0-255	W = 0
		201	Magenta	R = 255	G = 0	B = 255	W = 0
		202 ⇔ 238	- rojo	R = 255-0	G = 0	B = 255	W = 0
		239	Azul	R = 0	G = 0	B = 255	W = 0
		240 ⇔ 247	Cambio de color, rápido a lento				
248 ⇔ 255	Salto de color, rápido a lento						
16	Atenuador fondo	000 ⇔ 255	0-100%				
17	Atenuador fondo fino	000 ⇔ 255	0-100%				
18	Atenuador del anillo	000 ⇔ 255	0-100%				
19	Atenuador del anillo fino	000 ⇔ 255	0-100%				

Canal	Función	Valor	Porcentaje/Configuración
20	Atenuador del haz	000 ⇄ 255	0–100%
21	Atenuador del haz fino	000 ⇄ 255	0–100%
22	Obturador del anillo	000 ⇄ 019	Apagado
		020 ⇄ 024	Encendido
		025 ⇄ 069	Estroboscopio, rápido a lento
		070 ⇄ 089	Estroboscopio 100–0%, rápido a lento
		090 ⇄ 109	Estroboscopio 0–100%, rápido a lento
		110 ⇄ 129	Estroboscopio aleatorio, rápido a lento
		130 ⇄ 149	Estroboscopio aleatorio 100–0%, rápido a lento
		150 ⇄ 169	Estroboscopio aleatorio 0–100%, rápido a lento
		170 ⇄ 189	Estroboscopio pulso, rápido a lento
		190 ⇄ 209	Estroboscopio pulso aleatorio, rápido a lento
		210 ⇄ 229	Estroboscopio 0–100–0%, rápido a lento
		230 ⇄ 244	Estroboscopio pulso aleatorio, rápido a lento
23	Obturador del haz	000 ⇄ 019	Apagado
		020 ⇄ 024	Encendido
		025 ⇄ 069	Estroboscopio, rápido a lento
		070 ⇄ 089	Estroboscopio 100–0%, rápido a lento
		090 ⇄ 109	Estroboscopio 0–100%, rápido a lento
		110 ⇄ 129	Estroboscopio aleatorio, rápido a lento
		130 ⇄ 149	Estroboscopio aleatorio 100–0%, rápido a lento
		150 ⇄ 169	Estroboscopio aleatorio 0–100%, rápido a lento
		170 ⇄ 189	Estroboscopio pulso, rápido a lento
		190 ⇄ 209	Estroboscopio pulso aleatorio, rápido a lento
		210 ⇄ 229	Estroboscopio 0–100–0%, rápido a lento
		230 ⇄ 244	Estroboscopio pulso aleatorio, rápido a lento
245 ⇄ 255	Encendido		
24	Zoom	000 ⇄ 255	Ancho a estrecho
25	Control	000 ⇄ 009	Sin función
		010 ⇄ 014	Blackout panorámica/inclinación
		015 ⇄ 019	Reservado para usos futuros
		020 ⇄ 024	Modo de mezcla de color RGBW (adición)
		025 ⇄ 029	Modo de mezcla de color CMY (sustracción)
		030 ⇄ 049	Reservado para usos futuros
		050 ⇄ 054	Reiniciar movimiento panorámico
		055 ⇄ 059	Reiniciar inclinación
		060 ⇄ 064	Restablecer zoom
		065 ⇄ 069	Reservado para usos futuros
		070 ⇄ 074	Reiniciar todo
		075 ⇄ 109	Reservado para usos futuros
		110 ⇄ 114	Velocidad alta panorámica/Inclinación
		115 ⇄ 119	Velocidad baja panorámica/Inclinación
		120 ⇄ 124	Modo de ventilador lento
		125 ⇄ 129	Modo de ventilador al máximo
		130 ⇄ 134	Modo de ventilador automático
		135 ⇄ 139	Modo de atenuador rápido
140 ⇄ 144	Modo de atenuador lento		
145 ⇄ 255	Reservado para usos futuros		
26	Rojo principal	000 ⇄ 255	0–100%
27	Rojo principal fino	000 ⇄ 255	0–100%
28	Verde principal	000 ⇄ 255	0–100%
29	Verde principal fino	000 ⇄ 255	0–100%
30	Azul principal	000 ⇄ 255	0–100%
31	Azul principal fino	000 ⇄ 255	0–100%

Canal	Función	Valor	Porcentaje/Configuración
32	Blanco principal	000 ⇔ 255	0–100%
33	Blanco principal fino	000 ⇔ 255	0–100%
34	Rojo 1	000 ⇔ 255	0–100%
35	Rojo fino 1	000 ⇔ 255	0–100%
36	Verde 1	000 ⇔ 255	0–100%
37	Verde fino 1	000 ⇔ 255	0–100%
38	Azul 1	000 ⇔ 255	0–100%
39	Azul fino 1	000 ⇔ 255	0–100%
40	Blanco 1	000 ⇔ 255	0–100%
41	Blanco fino 1	000 ⇔ 255	0–100%
42	Rojo 2	000 ⇔ 255	0–100%
43	Rojo fino 2	000 ⇔ 255	0–100%
44	Verde 2	000 ⇔ 255	0–100%
45	Verde fino 2	000 ⇔ 255	0–100%
46	Azul 2	000 ⇔ 255	0–100%
47	Azul fino 2	000 ⇔ 255	0–100%
48	Blanco 2	000 ⇔ 255	0–100%
49	Blanco fino 2	000 ⇔ 255	0–100%
50	Rojo 3	000 ⇔ 255	0–100%
51	Rojo fino 3	000 ⇔ 255	0–100%
52	Verde 3	000 ⇔ 255	0–100%
53	Verde fino 3	000 ⇔ 255	0–100%
54	Azul 3	000 ⇔ 255	0–100%
55	Azul fino 3	000 ⇔ 255	0–100%
56	Blanco 3	000 ⇔ 255	0–100%
57	Blanco fino 3	000 ⇔ 255	0–100%
58	Rojo 4	000 ⇔ 255	0–100%
59	Rojo fino 4	000 ⇔ 255	0–100%
60	Verde 4	000 ⇔ 255	0–100%
61	Verde fino 4	000 ⇔ 255	0–100%
62	Azul 4	000 ⇔ 255	0–100%
63	Azul fino 4	000 ⇔ 255	0–100%
64	Blanco 4	000 ⇔ 255	0–100%
65	Blanco fino 4	000 ⇔ 255	0–100%
66	Rojo 5	000 ⇔ 255	0–100%
67	Rojo fino 5	000 ⇔ 255	0–100%
68	Verde 5	000 ⇔ 255	0–100%
69	Verde fino 5	000 ⇔ 255	0–100%
70	Azul 5	000 ⇔ 255	0–100%
71	Azul fino 5	000 ⇔ 255	0–100%
72	Blanco 5	000 ⇔ 255	0–100%
73	Blanco fino 5	000 ⇔ 255	0–100%
74	Rojo 6	000 ⇔ 255	0–100%
75	Rojo fino 6	000 ⇔ 255	0–100%
76	Verde 6	000 ⇔ 255	0–100%
77	Verde fino 6	000 ⇔ 255	0–100%
78	Azul 6	000 ⇔ 255	0–100%
79	Azul fino 6	000 ⇔ 255	0–100%
80	Blanco 6	000 ⇔ 255	0–100%
81	Blanco fino 6	000 ⇔ 255	0–100%
82	Rojo 7	000 ⇔ 255	0–100%
83	Rojo fino 7	000 ⇔ 255	0–100%
84	Verde 7	000 ⇔ 255	0–100%
85	Verde fino 7	000 ⇔ 255	0–100%

Canal	Función	Valor	Porcentaje/Configuración
86	Azul 7	000 ⇄ 255	0–100%
87	Azul fino 7	000 ⇄ 255	0–100%
88	Blanco 7	000 ⇄ 255	0–100%
89	Blanco fino 7	000 ⇄ 255	0–100%
90	Rojo 8	000 ⇄ 255	0–100%
91	Rojo fino 8	000 ⇄ 255	0–100%
92	Verde 8	000 ⇄ 255	0–100%
93	Verde fino 8	000 ⇄ 255	0–100%
94	Azul 8	000 ⇄ 255	0–100%
95	Azul fino 8	000 ⇄ 255	0–100%
96	Blanco 8	000 ⇄ 255	0–100%
97	Blanco fino 8	000 ⇄ 255	0–100%
98	Rojo 9	000 ⇄ 255	0–100%
99	Rojo fino 9	000 ⇄ 255	0–100%
100	Verde 9	000 ⇄ 255	0–100%
101	Verde fino 9	000 ⇄ 255	0–100%
102	Azul 9	000 ⇄ 255	0–100%
103	Azul fino 9	000 ⇄ 255	0–100%
104	Blanco 9	000 ⇄ 255	0–100%
105	Blanco fino 9	000 ⇄ 255	0–100%
106	Rojo 10	000 ⇄ 255	0–100%
107	Rojo fino 10	000 ⇄ 255	0–100%
108	Verde 10	000 ⇄ 255	0–100%
109	Verde fino 10	000 ⇄ 255	0–100%
110	Azul 10	000 ⇄ 255	0–100%
111	Azul fino 10	000 ⇄ 255	0–100%
112	Blanco 10	000 ⇄ 255	0–100%
113	Blanco fino 10	000 ⇄ 255	0–100%

“Single Control”: Modo “Standard” (66-canal)

Canal	Función	Valor	Porcentaje/Configuración
1	Movimiento panorámico	000 ⇔ 255	0–100%
2	Movimiento panorámico fino	000 ⇔ 255	0–100%
3	Inclinación	000 ⇔ 255	0–100%
4	Inclinación fino	000 ⇔ 255	0–100%
5	Movimiento panorámico continua	000	Sin función
		001 ⇔ 127	Movimiento panorámico continua, rápido a lento
		128	Sin función
		129 ⇔ 255	Movimiento panorámico continua inverso, lento a rápido
6	Inclinación continua	000	Sin función
		001 ⇔ 127	Inclinación continua, rápido a lento
		128	Sin función
		129 ⇔ 255	Inclinación continua inverso, lento a rápido
7	Velocidad de movimiento panorámico / inclinación	000 ⇔ 255	Rápido a lento
8	CTC	000	Sin función
		001 ⇔ 255	Temperature de color, 2800–10000 K
9	Color del anillo	000	Sin función
		001 ⇔ 002	2700K R = 156 G = 118 B = 0 W = 63
		003 ⇔ 004	3200K R = 156 G = 141 B = 5 W = 89
		005 ⇔ 006	4200K R = 156 G = 141 B = 14 W = 255
		007 ⇔ 008	5600K R = 156 G = 207 B = 54 W = 255
		009 ⇔ 010	8000K R = 130 G = 255 B = 96 W = 255
		011	Azul R = 0 G = 0 B = 255 W = 0
		012 ⇔ 048	+ verde R = 0 G = 0–255 B = 255 W = 0
		049	Cyan R = 0 G = 255 B = 255 W = 0
		050 ⇔ 086	- azul R = 0 G = 255 B = 255–0 W = 0
		087	Verde R = 0 G = 255 B = 0 W = 0
		088 ⇔ 124	+ rojo R = 0–255 G = 255 B = 0 W = 0
		125	Amarillo R = 255 G = 255 B = 0 W = 0
		126 ⇔ 162	- verde R = 255 G = 255–0 B = 0 W = 0
		163	Rojo R = 255 G = 0 B = 0 W = 0
		164 ⇔ 200	+ azul R = 255 G = 0 B = 0–255 W = 0
		201	Magenta R = 255 G = 0 B = 255 W = 0
		202 ⇔ 238	- rojo R = 255–0 G = 0 B = 255 W = 0
		239	Azul R = 0 G = 0 B = 255 W = 0
		240 ⇔ 247	Cambio de color, rápido a lento
248 ⇔ 255	Salto de color, rápido a lento		

Canal	Función	Valor	Porcentaje/Configuración				
10	Color del haz	000	Sin función				
		001 ⇄ 002	2700K	R = 156	G = 118	B = 0	W = 63
		003 ⇄ 004	3200K	R = 156	G = 141	B = 5	W = 89
		005 ⇄ 006	4200K	R = 156	G = 141	B = 14	W = 255
		007 ⇄ 008	5600K	R = 156	G = 207	B = 54	W = 255
		009 ⇄ 010	8000K	R = 130	G = 255	B = 96	W = 255
		011	Azul	R = 0	G = 0	B = 255	W = 0
		012 ⇄ 048	+ verde	R = 0	G = 0–255	B = 255	W = 0
		049	Cyan	R = 0	G = 255	B = 255	W = 0
		050 ⇄ 086	- azul	R = 0	G = 255	B = 255–0	W = 0
		087	Verde	R = 0	G = 255	B = 0	W = 0
		088 ⇄ 124	+ rojo	R = 0–255	G = 255	B = 0	W = 0
		125	Amarillo	R = 255	G = 255	B = 0	W = 0
		126 ⇄ 162	- verde	R = 255	G = 255–0	B = 0	W = 0
		163	Rojo	R = 255	G = 0	B = 0	W = 0
		164 ⇄ 200	+ azul	R = 255	G = 0	B = 0–255	W = 0
		201	Magenta	R = 255	G = 0	B = 255	W = 0
		202 ⇄ 238	- rojo	R = 255–0	G = 0	B = 255	W = 0
		239	Azul	R = 0	G = 0	B = 255	W = 0
		240 ⇄ 247	Cambio de color, rápido a lento				
248 ⇄ 255	Salto de color, rápido a lento						
11	Gobo	000	Sin función				
		001 ⇄ 255	Gobos (indexado)				
12	Macro LED / Programa automático	000 ⇄ 015	Sin función				
		016 ⇄ 135	Macros LED				
		136 ⇄ 255	Programas automáticos				
13	Velocidad Macro LED / Programa automático	000 ⇄ 127	Rápido a lento sentido horario				
		128	Mantener				
		129 ⇄ 255	Lento a rápido, sentido antihorario				
14	Retardo LED integrado	000 ⇄ 255	Rápido a lento				
15	Color de fondo	000	Sin función				
		001 ⇄ 002	2700K	R = 156	G = 118	B = 0	W = 63
		003 ⇄ 004	3200K	R = 156	G = 141	B = 5	W = 89
		005 ⇄ 006	4200K	R = 156	G = 141	B = 14	W = 255
		007 ⇄ 008	5600K	R = 156	G = 207	B = 54	W = 255
		009 ⇄ 010	8000K	R = 130	G = 255	B = 96	W = 255
		011	Azul	R = 0	G = 0	B = 255	W = 0
		012 ⇄ 048	+ verde	R = 0	G = 0–255	B = 255	W = 0
		049	Cyan	R = 0	G = 255	B = 255	W = 0
		050 ⇄ 086	- azul	R = 0	G = 255	B = 255–0	W = 0
		087	Verde	R = 0	G = 255	B = 0	W = 0
		088 ⇄ 124	+ rojo	R = 0–255	G = 255	B = 0	W = 0
		125	Amarillo	R = 255	G = 255	B = 0	W = 0
		126 ⇄ 162	- verde	R = 255	G = 255–0	B = 0	W = 0
		163	Rojo	R = 255	G = 0	B = 0	W = 0
		164 ⇄ 200	+ azul	R = 255	G = 0	B = 0–255	W = 0
		201	Magenta	R = 255	G = 0	B = 255	W = 0
		202 ⇄ 238	- rojo	R = 255–0	G = 0	B = 255	W = 0
		239	Azul	R = 0	G = 0	B = 255	W = 0
		240 ⇄ 247	Cambio de color, rápido a lento				
248 ⇄ 255	Salto de color, rápido a lento						
16	Atenuador fondo	000 ⇄ 255	0–100%				
17	Atenuador del anillo	000 ⇄ 255	0–100%				
18	Atenuador del haz	000 ⇄ 255	0–100%				

Canal	Función	Valor	Porcentaje/Configuración
19	Obturador del anillo	000 ⇔ 019	Apagado
		020 ⇔ 024	Encendido
		025 ⇔ 069	Estroboscopio, rápido a lento
		070 ⇔ 089	Estroboscopio 100–0%, rápido a lento
		090 ⇔ 109	Estroboscopio 0–100%, rápido a lento
		110 ⇔ 129	Estroboscopio aleatorio, rápido a lento
		130 ⇔ 149	Estroboscopio aleatorio 100–0%, rápido a lento
		150 ⇔ 169	Estroboscopio aleatorio 0–100%, rápido a lento
		170 ⇔ 189	Estroboscopio pulso, rápido a lento
		190 ⇔ 209	Estroboscopio pulso aleatorio, rápido a lento
		210 ⇔ 229	Estroboscopio 0–100–0%, rápido a lento
		230 ⇔ 244	Estroboscopio pulso aleatorio, rápido a lento
		245 ⇔ 255	Encendido
20	Obturador del haz	000 ⇔ 019	Apagado
		020 ⇔ 024	Encendido
		025 ⇔ 069	Estroboscopio, rápido a lento
		070 ⇔ 089	Estroboscopio 100–0%, rápido a lento
		090 ⇔ 109	Estroboscopio 0–100%, rápido a lento
		110 ⇔ 129	Estroboscopio aleatorio, rápido a lento
		130 ⇔ 149	Estroboscopio aleatorio 100–0%, rápido a lento
		150 ⇔ 169	Estroboscopio aleatorio 0–100%, rápido a lento
		170 ⇔ 189	Estroboscopio pulso, rápido a lento
		190 ⇔ 209	Estroboscopio pulso aleatorio, rápido a lento
		210 ⇔ 229	Estroboscopio 0–100–0%, rápido a lento
		230 ⇔ 244	Estroboscopio pulso aleatorio, rápido a lento
		245 ⇔ 255	Encendido
21	Zoom	000 ⇔ 255	Ancho a estrecho
22	Control	000 ⇔ 009	Sin función
		010 ⇔ 014	Blackout panorámica/inclinación
		015 ⇔ 019	Reservado para usos futuros
		020 ⇔ 024	Modo de mezcla de color RGBW (adición)
		025 ⇔ 029	Modo de mezcla de color CMY (sustracción)
		030 ⇔ 049	Reservado para usos futuros
		050 ⇔ 054	Reiniciar movimiento panorámico
		055 ⇔ 059	Reiniciar inclinación
		060 ⇔ 064	Restablecer zoom
		065 ⇔ 069	Reservado para usos futuros
		070 ⇔ 074	Reiniciar todo
		075 ⇔ 109	Reservado para usos futuros
		110 ⇔ 114	Velocidad alta panorámica/Inclinación
		115 ⇔ 119	Velocidad baja panorámica/Inclinación
		120 ⇔ 124	Modo de ventilador lento
		125 ⇔ 129	Modo de ventilador al máximo
		130 ⇔ 134	Modo de ventilador automático
135 ⇔ 139	Modo de atenuador rápido		
140 ⇔ 144	Modo de atenuador lento		
145 ⇔ 255	Reservado para usos futuros		
23	Rojo principal	000 ⇔ 255	0–100%
24	Verde principal	000 ⇔ 255	0–100%
25	Azul principal	000 ⇔ 255	0–100%
26	Blanco principal	000 ⇔ 255	0–100%
27	Rojo 1	000 ⇔ 255	0–100%
28	Verde 1	000 ⇔ 255	0–100%
29	Azul 1	000 ⇔ 255	0–100%
30	Blanco 1	000 ⇔ 255	0–100%

Canal	Función	Valor	Porcentaje/Configuración
31	Rojo 2	000 ⇄ 255	0–100%
32	Verde 2	000 ⇄ 255	0–100%
33	Azul 2	000 ⇄ 255	0–100%
34	Blanco 2	000 ⇄ 255	0–100%
35	Rojo 3	000 ⇄ 255	0–100%
36	Verde 3	000 ⇄ 255	0–100%
37	Azul 3	000 ⇄ 255	0–100%
38	Blanco 3	000 ⇄ 255	0–100%
39	Rojo 4	000 ⇄ 255	0–100%
40	Verde 4	000 ⇄ 255	0–100%
41	Azul 4	000 ⇄ 255	0–100%
42	Blanco 4	000 ⇄ 255	0–100%
43	Rojo 5	000 ⇄ 255	0–100%
44	Verde 5	000 ⇄ 255	0–100%
45	Azul 5	000 ⇄ 255	0–100%
46	Blanco 5	000 ⇄ 255	0–100%
47	Rojo 6	000 ⇄ 255	0–100%
48	Verde 6	000 ⇄ 255	0–100%
49	Azul 6	000 ⇄ 255	0–100%
50	Blanco 6	000 ⇄ 255	0–100%
51	Rojo 7	000 ⇄ 255	0–100%
52	Verde 7	000 ⇄ 255	0–100%
53	Azul 7	000 ⇄ 255	0–100%
54	Blanco 7	000 ⇄ 255	0–100%
55	Rojo 8	000 ⇄ 255	0–100%
56	Verde 8	000 ⇄ 255	0–100%
57	Azul 8	000 ⇄ 255	0–100%
58	Blanco 8	000 ⇄ 255	0–100%
59	Rojo 9	000 ⇄ 255	0–100%
60	Verde 9	000 ⇄ 255	0–100%
61	Azul 9	000 ⇄ 255	0–100%
62	Blanco 9	000 ⇄ 255	0–100%
63	Rojo 10	000 ⇄ 255	0–100%
64	Verde 10	000 ⇄ 255	0–100%
65	Azul 10	000 ⇄ 255	0–100%
66	Blanco 10	000 ⇄ 255	0–100%

“Single Control”: Modo “Basic” (26-canal)

Canal	Función	Valor	Porcentaje/Configuración
1	Movimiento panorámico	000 ⇄ 255	0–100%
2	Movimiento panorámico fino	000 ⇄ 255	0–100%
3	Inclinación	000 ⇄ 255	0–100%
4	Inclinación fino	000 ⇄ 255	0–100%
5	Movimiento panorámico continua	000	Sin función
		001 ⇄ 127	Movimiento panorámico continua, rápido a lento
		128	Sin función
		129 ⇄ 255	Movimiento panorámico continua inverso, lento a rápido
6	Inclinación continua	000	Sin función
		001 ⇄ 127	Inclinación continua, rápido a lento
		128	Sin función
		129 ⇄ 255	Inclinación continua inverso, lento a rápido
7	Velocidad de movimiento panorámico / inclinación	000 ⇄ 255	Rápido a lento

Canal	Función	Valor	Porcentaje/Configuración
8	CTC	000	Sin función
		001 ⇔ 255	Temperature de color, 2800–10000 K
9	Color del anillo	000	Sin función
		001 ⇔ 002	2700K R = 156 G = 118 B = 0 W = 63
		003 ⇔ 004	3200K R = 156 G = 141 B = 5 W = 89
		005 ⇔ 006	4200K R = 156 G = 141 B = 14 W = 255
		007 ⇔ 008	5600K R = 156 G = 207 B = 54 W = 255
		009 ⇔ 010	8000K R = 130 G = 255 B = 96 W = 255
		011	Azul R = 0 G = 0 B = 255 W = 0
		012 ⇔ 048	+ verde R = 0 G = 0–255 B = 255 W = 0
		049	Cyan R = 0 G = 255 B = 255 W = 0
		050 ⇔ 086	- azul R = 0 G = 255 B = 255–0 W = 0
		087	Verde R = 0 G = 255 B = 0 W = 0
		088 ⇔ 124	+ rojo R = 0–255 G = 255 B = 0 W = 0
		125	Amarillo R = 255 G = 255 B = 0 W = 0
		126 ⇔ 162	- verde R = 255 G = 255–0 B = 0 W = 0
		163	Rojo R = 255 G = 0 B = 0 W = 0
		164 ⇔ 200	+ azul R = 255 G = 0 B = 0–255 W = 0
		201	Magenta R = 255 G = 0 B = 255 W = 0
		202 ⇔ 238	- rojo R = 255–0 G = 0 B = 255 W = 0
		239	Azul R = 0 G = 0 B = 255 W = 0
		240 ⇔ 247	Cambio de color, rápido a lento
248 ⇔ 255	Salto de color, rápido a lento		
10	Color del haz	000	Sin función
		001 ⇔ 002	2700K R = 156 G = 118 B = 0 W = 63
		003 ⇔ 004	3200K R = 156 G = 141 B = 5 W = 89
		005 ⇔ 006	4200K R = 156 G = 141 B = 14 W = 255
		007 ⇔ 008	5600K R = 156 G = 207 B = 54 W = 255
		009 ⇔ 010	8000K R = 130 G = 255 B = 96 W = 255
		011	Azul R = 0 G = 0 B = 255 W = 0
		012 ⇔ 048	+ verde R = 0 G = 0–255 B = 255 W = 0
		049	Cyan R = 0 G = 255 B = 255 W = 0
		050 ⇔ 086	- azul R = 0 G = 255 B = 255–0 W = 0
		087	Verde R = 0 G = 255 B = 0 W = 0
		088 ⇔ 124	+ rojo R = 0–255 G = 255 B = 0 W = 0
		125	Amarillo R = 255 G = 255 B = 0 W = 0
		126 ⇔ 162	- verde R = 255 G = 255–0 B = 0 W = 0
		163	Rojo R = 255 G = 0 B = 0 W = 0
		164 ⇔ 200	+ azul R = 255 G = 0 B = 0–255 W = 0
		201	Magenta R = 255 G = 0 B = 255 W = 0
		202 ⇔ 238	- rojo R = 255–0 G = 0 B = 255 W = 0
		239	Azul R = 0 G = 0 B = 255 W = 0
		240 ⇔ 247	Cambio de color, rápido a lento
248 ⇔ 255	Salto de color, rápido a lento		
11	Gobo	000	Sin función
		001 ⇔ 255	Gobos (indexado)
12	Macro LED / Programa automático	000 ⇔ 015	Sin función
		016 ⇔ 135	Macros LED
		136 ⇔ 255	Programas automáticos
13	Velocidad Macro LED / Programa automático	000 ⇔ 127	Rápido a lento sentido horario
		128	Mantener
		129 ⇔ 255	Lento a rápido, sentido antihorario
14	Retardo LED integrado	000 ⇔ 255	Rápido a lento

Canal	Función	Valor	Porcentaje/Configuración
15	Color de fondo	000	Sin función
		001 ⇄ 002	2700K R = 156 G = 118 B = 0 W = 63
		003 ⇄ 004	3200K R = 156 G = 141 B = 5 W = 89
		005 ⇄ 006	4200K R = 156 G = 141 B = 14 W = 255
		007 ⇄ 008	5600K R = 156 G = 207 B = 54 W = 255
		009 ⇄ 010	8000K R = 130 G = 255 B = 96 W = 255
		011	Azul R = 0 G = 0 B = 255 W = 0
		012 ⇄ 048	+ verde R = 0 G = 0–255 B = 255 W = 0
		049	Cyan R = 0 G = 255 B = 255 W = 0
		050 ⇄ 086	- azul R = 0 G = 255 B = 255–0 W = 0
		087	Verde R = 0 G = 255 B = 0 W = 0
		088 ⇄ 124	+ rojo R = 0–255 G = 255 B = 0 W = 0
		125	Amarillo R = 255 G = 255 B = 0 W = 0
		126 ⇄ 162	- verde R = 255 G = 255–0 B = 0 W = 0
		163	Rojo R = 255 G = 0 B = 0 W = 0
		164 ⇄ 200	+ azul R = 255 G = 0 B = 0–255 W = 0
		201	Magenta R = 255 G = 0 B = 255 W = 0
		202 ⇄ 238	- rojo R = 255–0 G = 0 B = 255 W = 0
		239	Azul R = 0 G = 0 B = 255 W = 0
		240 ⇄ 247	Cambio de color, rápido a lento
248 ⇄ 255	Salto de color, rápido a lento		
16	Atenuador fondo	000 ⇄ 255	0–100%
17	Atenuador del anillo	000 ⇄ 255	0–100%
18	Atenuador del haz	000 ⇄ 255	0–100%
19	Obturador del anillo	000 ⇄ 019	Apagado
		020 ⇄ 024	Encendido
		025 ⇄ 069	Estroboscopio, rápido a lento
		070 ⇄ 089	Estroboscopio 100–0%, rápido a lento
		090 ⇄ 109	Estroboscopio 0–100%, rápido a lento
		110 ⇄ 129	Estroboscopio aleatorio, rápido a lento
		130 ⇄ 149	Estroboscopio aleatorio 100–0%, rápido a lento
		150 ⇄ 169	Estroboscopio aleatorio 0–100%, rápido a lento
		170 ⇄ 189	Estroboscopio pulso, rápido a lento
		190 ⇄ 209	Estroboscopio pulso aleatorio, rápido a lento
		210 ⇄ 229	Estroboscopio 0–100–0%, rápido a lento
		230 ⇄ 244	Estroboscopio pulso aleatorio, rápido a lento
		245 ⇄ 255	Encendido
20	Obturador del haz	000 ⇄ 019	Apagado
		020 ⇄ 024	Encendido
		025 ⇄ 069	Estroboscopio, rápido a lento
		070 ⇄ 089	Estroboscopio 100–0%, rápido a lento
		090 ⇄ 109	Estroboscopio 0–100%, rápido a lento
		110 ⇄ 129	Estroboscopio aleatorio, rápido a lento
		130 ⇄ 149	Estroboscopio aleatorio 100–0%, rápido a lento
		150 ⇄ 169	Estroboscopio aleatorio 0–100%, rápido a lento
		170 ⇄ 189	Estroboscopio pulso, rápido a lento
		190 ⇄ 209	Estroboscopio pulso aleatorio, rápido a lento
		210 ⇄ 229	Estroboscopio 0–100–0%, rápido a lento
		230 ⇄ 244	Estroboscopio pulso aleatorio, rápido a lento
		245 ⇄ 255	Encendido
21	Zoom	000 ⇄ 255	Ancho a estrecho

Canal	Función	Valor	Porcentaje/Configuración
22	Control	000 ⇔ 009	Sin función
		010 ⇔ 014	Blackout panorámica/inclinación
		015 ⇔ 019	Reservado para usos futuros
		020 ⇔ 024	Modo de mezcla de color RGBW (adición)
		025 ⇔ 029	Modo de mezcla de color CMY (sustracción)
		030 ⇔ 049	Reservado para usos futuros
		050 ⇔ 054	Reiniciar movimiento panorámico
		055 ⇔ 059	Reiniciar inclinación
		060 ⇔ 064	Restablecer zoom
		065 ⇔ 069	Reservado para usos futuros
		070 ⇔ 074	Reiniciar todo
		075 ⇔ 109	Reservado para usos futuros
		110 ⇔ 114	Velocidad alta panorámica/Inclinación
		115 ⇔ 119	Velocidad baja panorámica/Inclinación
		120 ⇔ 124	Modo de ventilador lento
		125 ⇔ 129	Modo de ventilador al máximo
130 ⇔ 134	Modo de ventilador automático		
135 ⇔ 139	Modo de atenuador rápido		
140 ⇔ 144	Modo de atenuador lento		
145 ⇔ 255	Reservado para usos futuros		
23	Rojo principal	000 ⇔ 255	0–100%
24	Verde principal	000 ⇔ 255	0–100%
25	Azul principal	000 ⇔ 255	0–100%
26	Blanco principal	000 ⇔ 255	0–100%

Valores “Dual Control” (Movement)

“Dual Control”: Modo “Advanced Movement” (41-canal)

Canal	Función	Valor	Porcentaje/Configuración
1	Movimiento panorámico	000 ⇔ 255	0–100%
2	Movimiento panorámico fino	000 ⇔ 255	0–100%
3	Inclinación	000 ⇔ 255	0–100%
4	Inclinación fino	000 ⇔ 255	0–100%
5	Movimiento panorámico continua	000	Sin función
		001 ⇔ 127	Movimiento panorámico continua, rápido a lento
		128	Sin función
		129 ⇔ 255	Movimiento panorámico continua inverso, lento a rápido
6	Inclinación continua	000	Sin función
		001 ⇔ 127	Inclinación continua, rápido a lento
		128	Sin función
		129 ⇔ 255	Inclinación continua inverso, lento a rápido
7	Velocidad de movimiento panorámico / inclinación	000 ⇔ 255	Rápido a lento
8	CTC	000	Sin función
		001 ⇔ 255	Temperature de color, 2800–10000 K
9	Color del anillo	000	Sin función
		001 ⇔ 002	2700K R = 156 G = 118 B = 0 W = 63
		003 ⇔ 004	3200K R = 156 G = 141 B = 5 W = 89
		005 ⇔ 006	4200K R = 156 G = 141 B = 14 W = 255
		007 ⇔ 008	5600K R = 156 G = 207 B = 54 W = 255
		009 ⇔ 010	8000K R = 130 G = 255 B = 96 W = 255
		011	Azul R = 0 G = 0 B = 255 W = 0
		012 ⇔ 048	+ verde R = 0 G = 0–255 B = 255 W = 0
		049	Cyan R = 0 G = 255 B = 255 W = 0
		050 ⇔ 086	- azul R = 0 G = 255 B = 255–0 W = 0
		087	Verde R = 0 G = 255 B = 0 W = 0
		088 ⇔ 124	+ rojo R = 0–255 G = 255 B = 0 W = 0
		125	Amarillo R = 255 G = 255 B = 0 W = 0
		126 ⇔ 162	- verde R = 255 G = 255–0 B = 0 W = 0
		163	Rojo R = 255 G = 0 B = 0 W = 0
		164 ⇔ 200	+ azul R = 255 G = 0 B = 0–255 W = 0
		201	Magenta R = 255 G = 0 B = 255 W = 0
		202 ⇔ 238	- rojo R = 255–0 G = 0 B = 255 W = 0
		239	Azul R = 0 G = 0 B = 255 W = 0
		240 ⇔ 247	Cambio de color, rápido a lento
248 ⇔ 255	Salto de color, rápido a lento		

Canal	Función	Valor	Porcentaje/Configuración				
10	Color del haz	000	Sin función				
		001 ⇔ 002	2700K	R = 156	G = 118	B = 0	W = 63
		003 ⇔ 004	3200K	R = 156	G = 141	B = 5	W = 89
		005 ⇔ 006	4200K	R = 156	G = 141	B = 14	W = 255
		007 ⇔ 008	5600K	R = 156	G = 207	B = 54	W = 255
		009 ⇔ 010	8000K	R = 130	G = 255	B = 96	W = 255
		011	Azul	R = 0	G = 0	B = 255	W = 0
		012 ⇔ 048	+ verde	R = 0	G = 0-255	B = 255	W = 0
		049	Cyan	R = 0	G = 255	B = 255	W = 0
		050 ⇔ 086	- azul	R = 0	G = 255	B = 255-0	W = 0
		087	Verde	R = 0	G = 255	B = 0	W = 0
		088 ⇔ 124	+ rojo	R = 0-255	G = 255	B = 0	W = 0
		125	Amarillo	R = 255	G = 255	B = 0	W = 0
		126 ⇔ 162	- verde	R = 255	G = 255-0	B = 0	W = 0
		163	Rojo	R = 255	G = 0	B = 0	W = 0
		164 ⇔ 200	+ azul	R = 255	G = 0	B = 0-255	W = 0
		201	Magenta	R = 255	G = 0	B = 255	W = 0
		202 ⇔ 238	- rojo	R = 255-0	G = 0	B = 255	W = 0
		239	Azul	R = 0	G = 0	B = 255	W = 0
		240 ⇔ 247	Cambio de color, rápido a lento				
248 ⇔ 255	Salto de color, rápido a lento						
11	Gobo	000	Sin función				
		001 ⇔ 255	Gobos (indexado)				
12	Macro LED / Programa automático	000 ⇔ 015	Sin función				
		016 ⇔ 135	Macros LED				
		136 ⇔ 255	Programas automáticos				
13	Velocidad Macro LED / Programa automático	000 ⇔ 127	Rápido a lento sentido horario				
		128	Mantener				
		129 ⇔ 255	Lento a rápido, sentido antihorario				
14	Retardo LED integrado	000 ⇔ 255	Rápido a lento				
15	Color de fondo	000	Sin función				
		001 ⇔ 002	2700K	R = 156	G = 118	B = 0	W = 63
		003 ⇔ 004	3200K	R = 156	G = 141	B = 5	W = 89
		005 ⇔ 006	4200K	R = 156	G = 141	B = 14	W = 255
		007 ⇔ 008	5600K	R = 156	G = 207	B = 54	W = 255
		009 ⇔ 010	8000K	R = 130	G = 255	B = 96	W = 255
		011	Azul	R = 0	G = 0	B = 255	W = 0
		012 ⇔ 048	+ verde	R = 0	G = 0-255	B = 255	W = 0
		049	Cyan	R = 0	G = 255	B = 255	W = 0
		050 ⇔ 086	- azul	R = 0	G = 255	B = 255-0	W = 0
		087	Verde	R = 0	G = 255	B = 0	W = 0
		088 ⇔ 124	+ rojo	R = 0-255	G = 255	B = 0	W = 0
		125	Amarillo	R = 255	G = 255	B = 0	W = 0
		126 ⇔ 162	- verde	R = 255	G = 255-0	B = 0	W = 0
		163	Rojo	R = 255	G = 0	B = 0	W = 0
		164 ⇔ 200	+ azul	R = 255	G = 0	B = 0-255	W = 0
		201	Magenta	R = 255	G = 0	B = 255	W = 0
		202 ⇔ 238	- rojo	R = 255-0	G = 0	B = 255	W = 0
		239	Azul	R = 0	G = 0	B = 255	W = 0
		240 ⇔ 247	Cambio de color, rápido a lento				
248 ⇔ 255	Salto de color, rápido a lento						
16	Atenuador fondo	000 ⇔ 255	0-100%				
17	Atenuador fondo fino	000 ⇔ 255	0-100%				
18	Atenuador del anillo	000 ⇔ 255	0-100%				
19	Atenuador del anillo fino	000 ⇔ 255	0-100%				

Canal	Función	Valor	Porcentaje/Configuración
20	Atenuador del haz	000 ⇄ 255	0–100%
21	Atenuador del haz fino	000 ⇄ 255	0–100%
22	Obturador del anillo	000 ⇄ 019	Apagado
		020 ⇄ 024	Encendido
		025 ⇄ 069	Estroboscopio, rápido a lento
		070 ⇄ 089	Estroboscopio 100–0%, rápido a lento
		090 ⇄ 109	Estroboscopio 0–100%, rápido a lento
		110 ⇄ 129	Estroboscopio aleatorio, rápido a lento
		130 ⇄ 149	Estroboscopio aleatorio 100–0%, rápido a lento
		150 ⇄ 169	Estroboscopio aleatorio 0–100%, rápido a lento
		170 ⇄ 189	Estroboscopio pulso, rápido a lento
		190 ⇄ 209	Estroboscopio pulso aleatorio, rápido a lento
		210 ⇄ 229	Estroboscopio 0–100–0%, rápido a lento
		230 ⇄ 244	Estroboscopio pulso aleatorio, rápido a lento
23	Obturador del haz	000 ⇄ 019	Apagado
		020 ⇄ 024	Encendido
		025 ⇄ 069	Estroboscopio, rápido a lento
		070 ⇄ 089	Estroboscopio 100–0%, rápido a lento
		090 ⇄ 109	Estroboscopio 0–100%, rápido a lento
		110 ⇄ 129	Estroboscopio aleatorio, rápido a lento
		130 ⇄ 149	Estroboscopio aleatorio 100–0%, rápido a lento
		150 ⇄ 169	Estroboscopio aleatorio 0–100%, rápido a lento
		170 ⇄ 189	Estroboscopio pulso, rápido a lento
		190 ⇄ 209	Estroboscopio pulso aleatorio, rápido a lento
		210 ⇄ 229	Estroboscopio 0–100–0%, rápido a lento
		230 ⇄ 244	Estroboscopio pulso aleatorio, rápido a lento
245 ⇄ 255	Encendido		
24	Zoom	000 ⇄ 255	Ancho a estrecho
25	Control	000 ⇄ 009	Sin función
		010 ⇄ 014	Blackout panorámica/inclinación
		015 ⇄ 019	Reservado para usos futuros
		020 ⇄ 024	Modo de mezcla de color RGBW (adición)
		025 ⇄ 029	Modo de mezcla de color CMY (sustracción)
		030 ⇄ 049	Reservado para usos futuros
		050 ⇄ 054	Reiniciar movimiento panorámico
		055 ⇄ 059	Reiniciar inclinación
		060 ⇄ 064	Restablecer zoom
		065 ⇄ 069	Reservado para usos futuros
		070 ⇄ 074	Reiniciar todo
		075 ⇄ 109	Reservado para usos futuros
		110 ⇄ 114	Velocidad alta panorámica/Inclinación
		115 ⇄ 119	Velocidad baja panorámica/Inclinación
		120 ⇄ 124	Modo de ventilador lento
		125 ⇄ 129	Modo de ventilador al máximo
		130 ⇄ 134	Modo de ventilador automático
135 ⇄ 139	Modo de atenuador rápido		
140 ⇄ 144	Modo de atenuador lento		
145 ⇄ 255	Reservado para usos futuros		
26	Anillo rojo	000 ⇄ 255	0–100%
27	Anillo rojo fino	000 ⇄ 255	0–100%
28	Haz rojo	000 ⇄ 255	0–100%
29	Haz rojo fino	000 ⇄ 255	0–100%
30	Anillo verde	000 ⇄ 255	0–100%
31	Anillo verde fino	000 ⇄ 255	0–100%

Canal	Función	Valor	Porcentaje/Configuración
32	Haz verde	000 ⇔ 255	0–100%
33	Haz verde fino	000 ⇔ 255	0–100%
34	Anillo azul	000 ⇔ 255	0–100%
35	Anillo azul fino	000 ⇔ 255	0–100%
36	Haz azul	000 ⇔ 255	0–100%
37	Haz azul fino	000 ⇔ 255	0–100%
38	Anillo blanco	000 ⇔ 255	0–100%
39	Anillo blanco fino	000 ⇔ 255	0–100%
40	Haz blanco	000 ⇔ 255	0–100%
41	Haz blanco fino	000 ⇔ 255	0–100%

“Dual Control”: Modo “Standard Movement” (30-canal)

Canal	Función	Valor	Porcentaje/Configuración
1	Movimiento panorámico	000 ⇔ 255	0–100%
2	Movimiento panorámico fino	000 ⇔ 255	0–100%
3	Inclinación	000 ⇔ 255	0–100%
4	Inclinación fino	000 ⇔ 255	0–100%
5	Movimiento panorámico continua	000	Sin función
		001 ⇔ 127	Movimiento panorámico continua, rápido a lento
		128	Sin función
		129 ⇔ 255	Movimiento panorámico continua inverso, lento a rápido
6	Inclinación continua	000	Sin función
		001 ⇔ 127	Inclinación continua, rápido a lento
		128	Sin función
		129 ⇔ 255	Inclinación continua inverso, lento a rápido
7	Velocidad de movimiento panorámico / inclinación	000 ⇔ 255	Rápido a lento
8	CTC	000	Sin función
		001 ⇔ 255	Temperature de color, 2800–10000 K
9	Color del anillo	000	Sin función
		001 ⇔ 002	2700K R = 156 G = 118 B = 0 W = 63
		003 ⇔ 004	3200K R = 156 G = 141 B = 5 W = 89
		005 ⇔ 006	4200K R = 156 G = 141 B = 14 W = 255
		007 ⇔ 008	5600K R = 156 G = 207 B = 54 W = 255
		009 ⇔ 010	8000K R = 130 G = 255 B = 96 W = 255
		011	Azul R = 0 G = 0 B = 255 W = 0
		012 ⇔ 048	+ verde R = 0 G = 0–255 B = 255 W = 0
		049	Cyan R = 0 G = 255 B = 255 W = 0
		050 ⇔ 086	- azul R = 0 G = 255 B = 255–0 W = 0
		087	Verde R = 0 G = 255 B = 0 W = 0
		088 ⇔ 124	+ rojo R = 0–255 G = 255 B = 0 W = 0
		125	Amarillo R = 255 G = 255 B = 0 W = 0
		126 ⇔ 162	- verde R = 255 G = 255–0 B = 0 W = 0
		163	Rojo R = 255 G = 0 B = 0 W = 0
		164 ⇔ 200	+ azul R = 255 G = 0 B = 0–255 W = 0
		201	Magenta R = 255 G = 0 B = 255 W = 0
		202 ⇔ 238	- rojo R = 255–0 G = 0 B = 255 W = 0
		239	Azul R = 0 G = 0 B = 255 W = 0
		240 ⇔ 247	Cambio de color, rápido a lento
248 ⇔ 255	Salto de color, rápido a lento		

Canal	Función	Valor	Porcentaje/Configuración				
10	Color del haz	000	Sin función				
		001 ⇄ 002	2700K	R = 156	G = 118	B = 0	W = 63
		003 ⇄ 004	3200K	R = 156	G = 141	B = 5	W = 89
		005 ⇄ 006	4200K	R = 156	G = 141	B = 14	W = 255
		007 ⇄ 008	5600K	R = 156	G = 207	B = 54	W = 255
		009 ⇄ 010	8000K	R = 130	G = 255	B = 96	W = 255
		011	Azul	R = 0	G = 0	B = 255	W = 0
		012 ⇄ 048	+ verde	R = 0	G = 0–255	B = 255	W = 0
		049	Cyan	R = 0	G = 255	B = 255	W = 0
		050 ⇄ 086	- azul	R = 0	G = 255	B = 255–0	W = 0
		087	Verde	R = 0	G = 255	B = 0	W = 0
		088 ⇄ 124	+ rojo	R = 0–255	G = 255	B = 0	W = 0
		125	Amarillo	R = 255	G = 255	B = 0	W = 0
		126 ⇄ 162	- verde	R = 255	G = 255–0	B = 0	W = 0
		163	Rojo	R = 255	G = 0	B = 0	W = 0
		164 ⇄ 200	+ azul	R = 255	G = 0	B = 0–255	W = 0
		201	Magenta	R = 255	G = 0	B = 255	W = 0
		202 ⇄ 238	- rojo	R = 255–0	G = 0	B = 255	W = 0
		239	Azul	R = 0	G = 0	B = 255	W = 0
		240 ⇄ 247	Cambio de color, rápido a lento				
248 ⇄ 255	Salto de color, rápido a lento						
11	Gobo	000	Sin función				
		001 ⇄ 255	Gobos (indexado)				
12	Macro LED / Programa automático	000 ⇄ 015	Sin función				
		016 ⇄ 135	Macros LED				
		136 ⇄ 255	Programas automáticos				
13	Velocidad Macro LED / Programa automático	000 ⇄ 127	Rápido a lento sentido horario				
		128	Mantener				
		129 ⇄ 255	Lento a rápido, sentido antihorario				
14	Retardo LED integrado	000 ⇄ 255	Rápido a lento				
15	Color de fondo	000	Sin función				
		001 ⇄ 002	2700K	R = 156	G = 118	B = 0	W = 63
		003 ⇄ 004	3200K	R = 156	G = 141	B = 5	W = 89
		005 ⇄ 006	4200K	R = 156	G = 141	B = 14	W = 255
		007 ⇄ 008	5600K	R = 156	G = 207	B = 54	W = 255
		009 ⇄ 010	8000K	R = 130	G = 255	B = 96	W = 255
		011	Azul	R = 0	G = 0	B = 255	W = 0
		012 ⇄ 048	+ verde	R = 0	G = 0–255	B = 255	W = 0
		049	Cyan	R = 0	G = 255	B = 255	W = 0
		050 ⇄ 086	- azul	R = 0	G = 255	B = 255–0	W = 0
		087	Verde	R = 0	G = 255	B = 0	W = 0
		088 ⇄ 124	+ rojo	R = 0–255	G = 255	B = 0	W = 0
		125	Amarillo	R = 255	G = 255	B = 0	W = 0
		126 ⇄ 162	- verde	R = 255	G = 255–0	B = 0	W = 0
		163	Rojo	R = 255	G = 0	B = 0	W = 0
		164 ⇄ 200	+ azul	R = 255	G = 0	B = 0–255	W = 0
		201	Magenta	R = 255	G = 0	B = 255	W = 0
		202 ⇄ 238	- rojo	R = 255–0	G = 0	B = 255	W = 0
		239	Azul	R = 0	G = 0	B = 255	W = 0
		240 ⇄ 247	Cambio de color, rápido a lento				
248 ⇄ 255	Salto de color, rápido a lento						
16	Atenuador fondo	000 ⇄ 255	0–100%				
17	Atenuador del anillo	000 ⇄ 255	0–100%				
18	Atenuador del haz	000 ⇄ 255	0–100%				

Canal	Función	Valor	Porcentaje/Configuración
19	Obturador del anillo	000 ⇔ 019	Apagado
		020 ⇔ 024	Encendido
		025 ⇔ 069	Estroboscopio, rápido a lento
		070 ⇔ 089	Estroboscopio 100–0%, rápido a lento
		090 ⇔ 109	Estroboscopio 0–100%, rápido a lento
		110 ⇔ 129	Estroboscopio aleatorio, rápido a lento
		130 ⇔ 149	Estroboscopio aleatorio 100–0%, rápido a lento
		150 ⇔ 169	Estroboscopio aleatorio 0–100%, rápido a lento
		170 ⇔ 189	Estroboscopio pulso, rápido a lento
		190 ⇔ 209	Estroboscopio pulso aleatorio, rápido a lento
		210 ⇔ 229	Estroboscopio 0–100–0%, rápido a lento
		230 ⇔ 244	Estroboscopio pulso aleatorio, rápido a lento
		245 ⇔ 255	Encendido
20	Obturador del haz	000 ⇔ 019	Apagado
		020 ⇔ 024	Encendido
		025 ⇔ 069	Estroboscopio, rápido a lento
		070 ⇔ 089	Estroboscopio 100–0%, rápido a lento
		090 ⇔ 109	Estroboscopio 0–100%, rápido a lento
		110 ⇔ 129	Estroboscopio aleatorio, rápido a lento
		130 ⇔ 149	Estroboscopio aleatorio 100–0%, rápido a lento
		150 ⇔ 169	Estroboscopio aleatorio 0–100%, rápido a lento
		170 ⇔ 189	Estroboscopio pulso, rápido a lento
		190 ⇔ 209	Estroboscopio pulso aleatorio, rápido a lento
		210 ⇔ 229	Estroboscopio 0–100–0%, rápido a lento
		230 ⇔ 244	Estroboscopio pulso aleatorio, rápido a lento
		245 ⇔ 255	Encendido
21	Zoom	000 ⇔ 255	Ancho a estrecho
22	Control	000 ⇔ 009	Sin función
		010 ⇔ 014	Blackout panorámica/inclinación
		015 ⇔ 019	Reservado para usos futuros
		020 ⇔ 024	Modo de mezcla de color RGBW (adición)
		025 ⇔ 029	Modo de mezcla de color CMY (sustracción)
		030 ⇔ 049	Reservado para usos futuros
		050 ⇔ 054	Reiniciar movimiento panorámico
		055 ⇔ 059	Reiniciar inclinación
		060 ⇔ 064	Restablecer zoom
		065 ⇔ 069	Reservado para usos futuros
		070 ⇔ 074	Reiniciar todo
		075 ⇔ 109	Reservado para usos futuros
		110 ⇔ 114	Velocidad alta panorámica/Inclinación
		115 ⇔ 119	Velocidad baja panorámica/Inclinación
		120 ⇔ 124	Modo de ventilador lento
		125 ⇔ 129	Modo de ventilador al máximo
		130 ⇔ 134	Modo de ventilador automático
135 ⇔ 139	Modo de atenuador rápido		
140 ⇔ 144	Modo de atenuador lento		
145 ⇔ 255	Reservado para usos futuros		
23	Anillo rojo	000 ⇔ 255	0–100%
24	Haz rojo	000 ⇔ 255	0–100%
25	Anillo verde	000 ⇔ 255	0–100%
26	Haz verde	000 ⇔ 255	0–100%
27	Anillo azul	000 ⇔ 255	0–100%
28	Haz azul	000 ⇔ 255	0–100%
29	Anillo blanco	000 ⇔ 255	0–100%
30	Haz blanco	000 ⇔ 255	0–100%

“Dual Control”: Modo “Basic Movement” (13-canal)

Canal	Función	Valor	Porcentaje/Configuración
1	Movimiento panorámico	000 ⇄ 255	0–100%
2	Movimiento panorámico fino	000 ⇄ 255	0–100%
3	Inclinación	000 ⇄ 255	0–100%
4	Inclinación fino	000 ⇄ 255	0–100%
5	Movimiento panorámico continua	000	Sin función
		001 ⇄ 127	Movimiento panorámico continua, rápido a lento
		128	Sin función
		129 ⇄ 255	Movimiento panorámico continua inverso, lento a rápido
6	Inclinación continua	000	Sin función
		001 ⇄ 127	Inclinación continua, rápido a lento
		128	Sin función
		129 ⇄ 255	Inclinación continua inverso, lento a rápido
7	Velocidad de movimiento panorámico / inclinación	000 ⇄ 255	Rápido a lento
8	Atenuador del anillo	000 ⇄ 255	0–100%
9	Atenuador del haz	000 ⇄ 255	0–100%
10	Obturador del anillo	000 ⇄ 019	Apagado
		020 ⇄ 024	Encendido
		025 ⇄ 069	Estroboscopio, rápido a lento
		070 ⇄ 089	Estroboscopio 100–0%, rápido a lento
		090 ⇄ 109	Estroboscopio 0–100%, rápido a lento
		110 ⇄ 129	Estroboscopio aleatorio, rápido a lento
		130 ⇄ 149	Estroboscopio aleatorio 100–0%, rápido a lento
		150 ⇄ 169	Estroboscopio aleatorio 0–100%, rápido a lento
		170 ⇄ 189	Estroboscopio pulso, rápido a lento
		190 ⇄ 209	Estroboscopio pulso aleatorio, rápido a lento
		210 ⇄ 229	Estroboscopio 0–100–0%, rápido a lento
		230 ⇄ 244	Estroboscopio pulso aleatorio, rápido a lento
		245 ⇄ 255	Encendido
11	Obturador del haz	000 ⇄ 019	Apagado
		020 ⇄ 024	Encendido
		025 ⇄ 069	Estroboscopio, rápido a lento
		070 ⇄ 089	Estroboscopio 100–0%, rápido a lento
		090 ⇄ 109	Estroboscopio 0–100%, rápido a lento
		110 ⇄ 129	Estroboscopio aleatorio, rápido a lento
		130 ⇄ 149	Estroboscopio aleatorio 100–0%, rápido a lento
		150 ⇄ 169	Estroboscopio aleatorio 0–100%, rápido a lento
		170 ⇄ 189	Estroboscopio pulso, rápido a lento
		190 ⇄ 209	Estroboscopio pulso aleatorio, rápido a lento
		210 ⇄ 229	Estroboscopio 0–100–0%, rápido a lento
		230 ⇄ 244	Estroboscopio pulso aleatorio, rápido a lento
		245 ⇄ 255	Encendido
12	Zoom	000 ⇄ 255	Ancho a estrecho

Canal	Función	Valor	Porcentaje/Configuración
13	Control	000 ⇔ 009	Sin función
		010 ⇔ 014	Blackout panorámica/inclinación
		015 ⇔ 019	Reservado para usos futuros
		020 ⇔ 024	Modo de mezcla de color RGBW (adición)
		025 ⇔ 029	Modo de mezcla de color CMY (sustracción)
		030 ⇔ 049	Reservado para usos futuros
		050 ⇔ 054	Reiniciar movimiento panorámico
		055 ⇔ 059	Reiniciar inclinación
		060 ⇔ 064	Restablecer zoom
		065 ⇔ 069	Reservado para usos futuros
		070 ⇔ 074	Reiniciar todo
		075 ⇔ 109	Reservado para usos futuros
		110 ⇔ 114	Velocidad alta panorámica/Inclinación
		115 ⇔ 119	Velocidad baja panorámica/Inclinación
		120 ⇔ 124	Modo de ventilador lento
		125 ⇔ 129	Modo de ventilador al máximo
		130 ⇔ 134	Modo de ventilador automático
		135 ⇔ 139	Modo de atenuador rápido
140 ⇔ 144	Modo de atenuador lento		
145 ⇔ 255	Reservado para usos futuros		

Valores “Dual Control” (Pixels)

“Dual Control”: Modo “Advanced Pixels” (80-canal)

Canal	Función	Valor	Porcentaje/Configuración
1	Rojo 1	000 ⇄ 255	0–100%
2	Rojo fino 1	000 ⇄ 255	0–100%
3	Verde 1	000 ⇄ 255	0–100%
4	Verde fino 1	000 ⇄ 255	0–100%
5	Azul 1	000 ⇄ 255	0–100%
6	Azul fino 1	000 ⇄ 255	0–100%
7	Blanco 1	000 ⇄ 255	0–100%
8	Blanco fino 1	000 ⇄ 255	0–100%
9	Rojo 2	000 ⇄ 255	0–100%
10	Rojo fino 2	000 ⇄ 255	0–100%
11	Verde 2	000 ⇄ 255	0–100%
12	Verde fino 2	000 ⇄ 255	0–100%
13	Azul 2	000 ⇄ 255	0–100%
14	Azul fino 2	000 ⇄ 255	0–100%
15	Blanco 2	000 ⇄ 255	0–100%
16	Blanco fino 2	000 ⇄ 255	0–100%
17	Rojo 3	000 ⇄ 255	0–100%
18	Rojo fino 3	000 ⇄ 255	0–100%
19	Verde 3	000 ⇄ 255	0–100%
20	Verde fino 3	000 ⇄ 255	0–100%
21	Azul 3	000 ⇄ 255	0–100%
22	Azul fino 3	000 ⇄ 255	0–100%
23	Blanco 3	000 ⇄ 255	0–100%
24	Blanco fino 3	000 ⇄ 255	0–100%
25	Rojo 4	000 ⇄ 255	0–100%
26	Rojo fino 4	000 ⇄ 255	0–100%
27	Verde 4	000 ⇄ 255	0–100%
28	Verde fino 4	000 ⇄ 255	0–100%
29	Azul 4	000 ⇄ 255	0–100%
30	Azul fino 4	000 ⇄ 255	0–100%
31	Blanco 4	000 ⇄ 255	0–100%
32	Blanco fino 4	000 ⇄ 255	0–100%
33	Rojo 5	000 ⇄ 255	0–100%
34	Rojo fino 5	000 ⇄ 255	0–100%
35	Verde 5	000 ⇄ 255	0–100%
36	Verde fino 5	000 ⇄ 255	0–100%
37	Azul 5	000 ⇄ 255	0–100%
38	Azul fino 5	000 ⇄ 255	0–100%
39	Blanco 5	000 ⇄ 255	0–100%
40	Blanco fino 5	000 ⇄ 255	0–100%
41	Rojo 6	000 ⇄ 255	0–100%
42	Rojo fino 6	000 ⇄ 255	0–100%
43	Verde 6	000 ⇄ 255	0–100%
44	Verde fino 6	000 ⇄ 255	0–100%
45	Azul 6	000 ⇄ 255	0–100%
46	Azul fino 6	000 ⇄ 255	0–100%
47	Blanco 6	000 ⇄ 255	0–100%
48	Blanco fino 6	000 ⇄ 255	0–100%
49	Rojo 7	000 ⇄ 255	0–100%
50	Rojo fino 7	000 ⇄ 255	0–100%
51	Verde 7	000 ⇄ 255	0–100%
52	Verde fino 7	000 ⇄ 255	0–100%

Canal	Función	Valor	Porcentaje/Configuración
53	Azul 7	000 ⇔ 255	0–100%
54	Azul fino 7	000 ⇔ 255	0–100%
55	Blanco 7	000 ⇔ 255	0–100%
56	Blanco fino 7	000 ⇔ 255	0–100%
57	Rojo 8	000 ⇔ 255	0–100%
58	Rojo fino 8	000 ⇔ 255	0–100%
59	Verde 8	000 ⇔ 255	0–100%
60	Verde fino 8	000 ⇔ 255	0–100%
61	Azul 8	000 ⇔ 255	0–100%
62	Azul fino 8	000 ⇔ 255	0–100%
63	Blanco 8	000 ⇔ 255	0–100%
64	Blanco fino 8	000 ⇔ 255	0–100%
65	Rojo 9	000 ⇔ 255	0–100%
66	Rojo fino 9	000 ⇔ 255	0–100%
67	Verde 9	000 ⇔ 255	0–100%
68	Verde fino 9	000 ⇔ 255	0–100%
69	Azul 9	000 ⇔ 255	0–100%
70	Azul fino 9	000 ⇔ 255	0–100%
71	Blanco 9	000 ⇔ 255	0–100%
72	Blanco fino 9	000 ⇔ 255	0–100%
73	Rojo 10	000 ⇔ 255	0–100%
74	Rojo fino 10	000 ⇔ 255	0–100%
75	Verde 10	000 ⇔ 255	0–100%
76	Verde fino 10	000 ⇔ 255	0–100%
77	Azul 10	000 ⇔ 255	0–100%
78	Azul fino 10	000 ⇔ 255	0–100%
79	Blanco 10	000 ⇔ 255	0–100%
80	Blanco fino 10	000 ⇔ 255	0–100%

“Dual Control”: Modo “Standard Pixels” (40-canal)

Canal	Función	Valor	Porcentaje/Configuración
1	Rojo 1	000 ⇔ 255	0–100%
2	Verde 1	000 ⇔ 255	0–100%
3	Azul 1	000 ⇔ 255	0–100%
4	Blanco 1	000 ⇔ 255	0–100%
5	Rojo 2	000 ⇔ 255	0–100%
6	Verde 2	000 ⇔ 255	0–100%
7	Azul 2	000 ⇔ 255	0–100%
8	Blanco 2	000 ⇔ 255	0–100%
9	Rojo 3	000 ⇔ 255	0–100%
10	Verde 3	000 ⇔ 255	0–100%
11	Azul 3	000 ⇔ 255	0–100%
12	Blanco 3	000 ⇔ 255	0–100%
13	Rojo 4	000 ⇔ 255	0–100%
14	Verde 4	000 ⇔ 255	0–100%
15	Azul 4	000 ⇔ 255	0–100%
16	Blanco 4	000 ⇔ 255	0–100%
17	Rojo 5	000 ⇔ 255	0–100%
18	Verde 5	000 ⇔ 255	0–100%
19	Azul 5	000 ⇔ 255	0–100%
20	Blanco 5	000 ⇔ 255	0–100%

Canal	Función	Valor	Porcentaje/Configuración
21	Rojo 6	000 ⇄ 255	0–100%
22	Verde 6	000 ⇄ 255	0–100%
23	Azul 6	000 ⇄ 255	0–100%
24	Blanco 6	000 ⇄ 255	0–100%
25	Rojo 7	000 ⇄ 255	0–100%
26	Verde 7	000 ⇄ 255	0–100%
27	Azul 7	000 ⇄ 255	0–100%
28	Blanco 7	000 ⇄ 255	0–100%
29	Rojo 8	000 ⇄ 255	0–100%
30	Verde 8	000 ⇄ 255	0–100%
31	Azul 8	000 ⇄ 255	0–100%
32	Blanco 8	000 ⇄ 255	0–100%
33	Rojo 9	000 ⇄ 255	0–100%
34	Verde 9	000 ⇄ 255	0–100%
35	Azul 9	000 ⇄ 255	0–100%
36	Blanco 9	000 ⇄ 255	0–100%
37	Rojo 10	000 ⇄ 255	0–100%
38	Verde 10	000 ⇄ 255	0–100%
39	Azul 10	000 ⇄ 255	0–100%
40	Blanco 10	000 ⇄ 255	0–100%

“Dual Control”: Modo “Basic Pixels” (30-canal)

Canal	Función	Valor	Porcentaje/Configuración
1	Rojo 1	000 ⇄ 255	0–100%
2	Verde 1	000 ⇄ 255	0–100%
3	Azul 1	000 ⇄ 255	0–100%
4	Rojo 2	000 ⇄ 255	0–100%
5	Verde 2	000 ⇄ 255	0–100%
6	Azul 2	000 ⇄ 255	0–100%
7	Rojo 3	000 ⇄ 255	0–100%
8	Verde 3	000 ⇄ 255	0–100%
9	Azul 3	000 ⇄ 255	0–100%
10	Rojo 4	000 ⇄ 255	0–100%
11	Verde 4	000 ⇄ 255	0–100%
12	Azul 4	000 ⇄ 255	0–100%
13	Rojo 5	000 ⇄ 255	0–100%
14	Verde 5	000 ⇄ 255	0–100%
15	Azul 5	000 ⇄ 255	0–100%
16	Rojo 6	000 ⇄ 255	0–100%
17	Verde 6	000 ⇄ 255	0–100%
18	Azul 6	000 ⇄ 255	0–100%
19	Rojo 7	000 ⇄ 255	0–100%
20	Verde 7	000 ⇄ 255	0–100%
21	Azul 7	000 ⇄ 255	0–100%
22	Rojo 8	000 ⇄ 255	0–100%
23	Verde 8	000 ⇄ 255	0–100%
24	Azul 8	000 ⇄ 255	0–100%
25	Rojo 9	000 ⇄ 255	0–100%
26	Verde 9	000 ⇄ 255	0–100%
27	Azul 9	000 ⇄ 255	0–100%
28	Rojo 10	000 ⇄ 255	0–100%
29	Verde 10	000 ⇄ 255	0–100%
30	Azul 10	000 ⇄ 255	0–100%

A Propos de ce Manuel

Le manuel de référence (MR) du Maverick MK Pyxis reprend des informations de base sur ce produit notamment en matière de connexions, montage, options de menu et valeurs DMX. Téléchargez le Manuel d'Utilisation sur www.chauvetprofessional.com for pour de plus amples informations.

Clause de Non-Responsabilité

Les informations et caractéristiques contenues dans ce manuel sont sujettes à changement sans préavis.

Consignes de Sécurité

Ces consignes de sécurité contiennent des informations importantes en matière d'installation, d'utilisation et d'entretien.

- N'ouvrez PAS cet appareil. Il ne contient aucun composant susceptible d'être réparé par l'utilisateur.
- Ne regardez PAS la source lumineuse lorsque le produit fonctionne.
- Durant les périodes de non-utilisation, pour éviter tout usure inutile et pour prolonger la durée de vie, déconnectez-entièrement l'appareil en le débranchant de l'alimentation électrique ou en coupant le disjoncteur.
- ATTENTION: Lorsque l'appareil est transféré d'un environnement à température extrême à un autre (par exemple d'un camion froid vers une salle de bal chaude et humide), de la condensation peut se former sur les composants électriques internes. Pour éviter de causer des dommages, laissez l'appareil s'acclimater entièrement au milieu environnant avant de le mettre sous tension.
- ATTENTION: le boîtier de ce produit peut s'avérer brûlant lors du fonctionnement.
- Montez toujours ce produit dans un endroit bien ventilé, à au moins 50 cm (20 pouces) des surfaces adjacentes.
- Ne laissez AUCUNE source inflammable dans un rayon de 50 cm du produit lorsque celui-ci fonctionne.
- Utilisez TOUJOURS un câble de sécurité lorsque vous montez ce produit en hauteur.
- N'utilisez PAS cet appareil en extérieur ou tout autre endroit où de la poussière, une chaleur excessive, de l'eau ou de l'humidité pourrait en affecter le fonctionnement. (IP20)
- N'utilisez PAS cet appareil si le boîtier, les lentilles ou les câbles vous semblent endommagés.
- Ne connectez ce produit NI à un gradateur NI à un rhéostat.
- Connectez UNIQUEMENT cet appareil à un circuit protégé et relié à la terre.
- N'utilisez QUE les lyres de suspension ou les poignées pour transporter cet appareil. Ne transportez jamais cet appareil par sa lyre asservie.
- En cas de sérieux problèmes de fonctionnement, arrêtez le système immédiatement.
- La température ambiante maximale doit être de 113° F (45° C). Ne le faites pas fonctionner à des températures plus élevées.

Contact

En dehors des États-Unis, du Royaume-Uni et de l'Irlande, du Mexique, ou de Benelux contactez votre fournisseur si vous avez besoin d'assistance ou de retourner votre produit. Consultez le site www.chauvetprofessional.com pour trouver nos coordonnées.

Ce qui est Inclus

- Maverick MK Pyxis
- Un cordon d'alimentation Seetronic Powerkon
- 2 fixations Omega sans matériel de montage
- Une fiche de Garantie
- Un Manuel de Référence

Alimentation CA

Ce produit est doté d'une alimentation universelle prenant en charge toute tension d'entrée comprise entre 100 et 240 VCA, 50/60 Hz.

Prise CA

Connexion	Câble (États-Unis)	Câble (Europe)	Couleur de la Vis
Conducteur CA	Noir	Marron	Jaune/Cuivré
Neutre CA	Blanc	Bleu	Argenté
Terre CA	Vert/Jaune	Vert/Jaune	Vert



Durant les périodes de non-utilisation, pour éviter tout usure inutile et pour prolonger la durée de vie, déconnectez-entièrement l'appareil en le débranchant de l'alimentation électrique ou en coupant le disjoncteur.

Connexion Électrique

Vous pouvez connecter entre eux jusqu'à 6 Maverick MK Pyxis à 120 V, 11 unités à 208 V ou 12 à 230 V. Ne dépassez jamais cette limite. Vous pouvez vous procurer séparément des cordons d'alimentation de raccordement.

Remplacement du Fusible

1. Débranchez l'appareil de l'alimentation.
2. À l'aide d'un tournevis à tête plate, dévissez le couvercle du porte-fusible du boîtier.
3. Retirez le fusil obsolète et remplacez-le par un fusible en bon état de même type et ampérage.
4. Revissez le couvercle du porte-fusible et rebranchez l'unité.

Connexions du signal

Vous pouvez relier le Maverick MK Pyxis à un contrôleur ou à un logiciel de contrôle à l'aide d'une connexion DMX, une connexion Ethernet ou les deux à la fois. En cas d'utilisation du Maverick MK Pyxis conjointement avec d'autres appareils compatibles avec les protocoles Art-Net™, sACN ou Kling-Net, vous gardez le contrôle individuel sur un même réseau. Veuillez consulter le manuel d'utilisation pour plus d'informations sur la connexion et la configuration de l'appareil avec ces signaux.

Personnalités de contrôle

Le Maverick MK Pyxis utilise les protocoles DMX, Art-Net™, sACN, WDMX et Kling-Net pour ses personnalités de contrôle:

Single Control	Dual Control Movement	Dual Control Pixels
Basic (26-canal)	Basic (13-canal)	Basic (30-canal)
Standard (66-canal)	Standard (30-canal)	Standard (40-canal)
Advanced (113-canal)	Advanced (41-canal)	Advanced (80-canal)
Tour (131-canal)		
Utilise DMX, Art-Net™, sACN ou WDMX	Utilise DMX, Art-Net™ ou sACN	Utilise DMX, Art-Net™, sACN ou Kling-Net



En mode "Dual Control", les protocoles "Movement" et "Pixels" ne peuvent pas être identiques.

Connexion DMX

Le Maverick MK Pyxis fonctionnera conjointement avec un jeu d'orgues DMX doté d'une connexion de donnée DMX à 3 ou 5 broches. Une introduction au DMX est à votre disposition sur www.chauvetprofessional.com.

Connexion Art-Net™

Art-Net™ est un protocole Ethernet par TCP/IP qui permet de transférer de grandes quantités de données DMX512 en utilisant une connexion etherCON RJ45 sur un grand réseau. Une introduction au protocole Art-Net™ est disponible sur le site internet www.chauvetprofessional.com. Chauvet Professional recommande d'utiliser le mode Unicast pour de meilleurs résultats.

Art-Net™ conçu et droit d'auteur par Artistic Licence Holdings Ltd.

Connexion sACN

Également appelé ANSI E1.31, le streaming ACN est un protocole Ethernet qui utilise les couches et le formatage de l'Architecture for Control Networks pour transporter des données DMX512 par IP ou tout autre réseau compatible ACN. L'ACN est maintenu par la PLASA (Professional Lighting and Sound Association).

Connexion Kling-Net

Kling-Net est un protocole réseau qui permet la configuration automatique des appareils d'affichage en utilisant une connexion Ethernet etherCON RJ45. Référez-vous au manuel du logiciel ArKaos pour des instructions détaillées sur la programmation de cet appareil.



Pour un fonctionnement sans problème, le protocole ArKaos Kling-Net nécessite l'utilisation d'une carte réseau Ethernet gigabit (1000 Mbps) et d'un routeur.



Le protocole ArKaos Kling-Net permet uniquement de faire fonctionner les modes "Standard Pixels" ou "Basic Pixels".

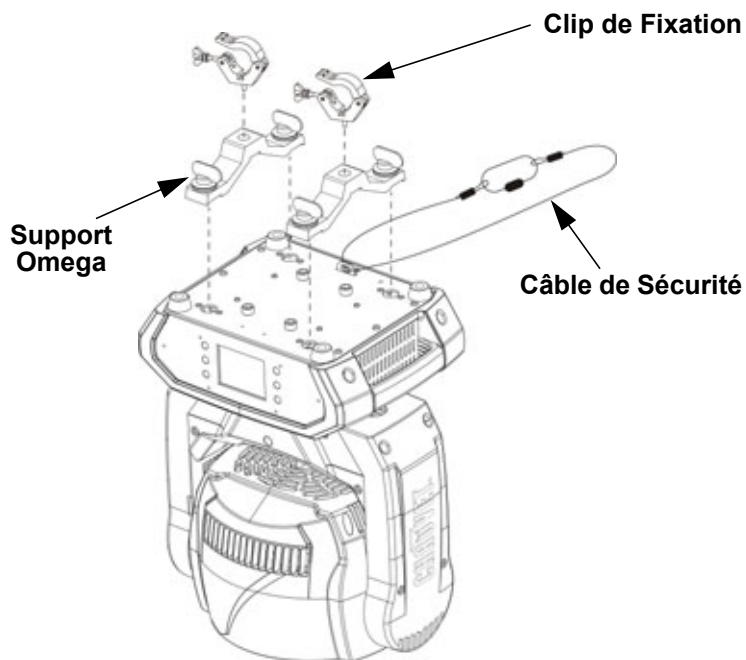
RDM (Gestion des périphériques à distance)

Le protocole RDM (gestion des périphériques à distance) est un standard pour la communication bidirectionnelle des appareils dotés de fonctions DMX dans un câblage DMX existant. Le Maverick MK Pyxis supporte le protocole RDM permettant un retour d'information pour la surveillance de la température et des changements des options de menu. Veuillez télécharger le manuel de l'utilisateur à partir du site internet www.chauvetprofessional.com pour plus de détails.

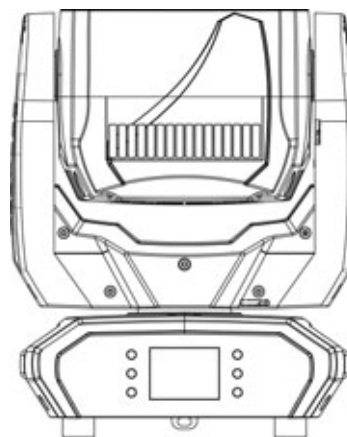
Montage

Avant de monter cet appareil, lisez et assimilez les [Consignes de Sécurité](#). Utilisez au moins deux points de fixation par appareil. Veillez à ce que les fixations sont capables de supporter le poids de l'unité. Découvrez notre gamme de fixations Chauvet sur <http://trusst.com/products>.

Schéma de Montage de l'appareil



Montage an Hauteur



Montage au Sol

Panneau de commande tactile

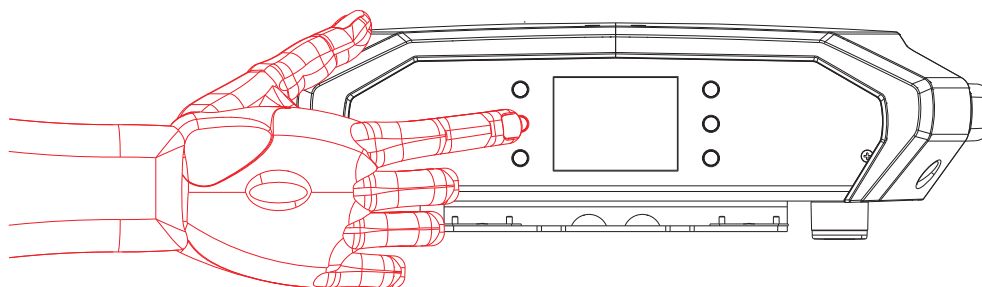
Le Maverick MK Pyxis est équipé d'un affichage avec un écran tactile ainsi que de 6 boutons de commande. L'écran tactile peut être verrouillé et calibré via l'option **Setup** (paramétrage) du menu.

Description du Tableau de Commandes

Bouton	Fonction
< ↑ >	Permet de naviguer vers le haut dans la liste du menu ou d'incrémenter une valeur numérique dans une fonction
< ☰ >	Permet de sortir du menu ou de la fonction en cours
< ↓ >	Permet de naviguer vers le bas dans la liste du menu ou de décrémenter une valeur numérique dans une fonction
< ← >	Permet de se déplacer vers la gauche dans le menu
< ↵ >	Active l'entrée de menu actuellement affichée ou confirme la valeur actuellement sélectionnée pour la fonction en cours de sélection
< → >	Permet de se déplacer vers la droite dans le menu

Affichage à piles

Appuyez sur la touche et maintenez-la enfoncée jusqu'à ce que l'écran du menu apparaisse (environ 15 secondes).



Plan du menu

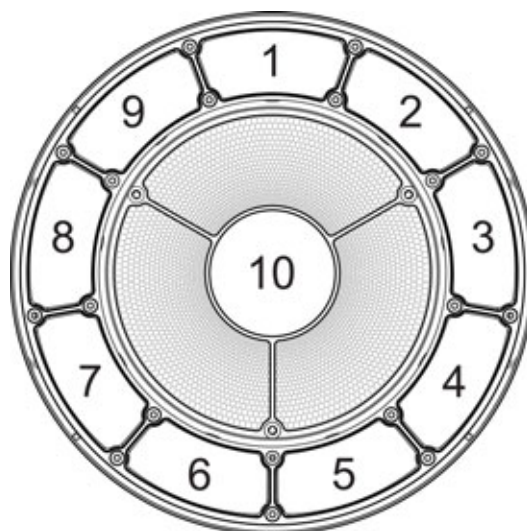
Niveaux de Programmation				Description		
Control Settings				Control Settings Niveau Principal		
Single Control	DMX	Personality	Basic	Définir la personnalité DMX (voir la section Personnalités de contrôle)		
			Standard			
			Advanced			
			Tour			
			Start Address	0-512	Définir l'adresse DMX de départ	
	ArtNet	Personality	Basic	Définir la personnalité Art-Net™ (voir la section Personnalités de contrôle)		
			Standard			
			Advanced			
			Tour			
			Start Address	0-512	Définir l'adresse Art-Net™ de départ	
			Universe	0-255	Définir l'univers Art-Net™	
	sACN	Personality	Basic	Définir la personnalité sACN (voir la section Personnalités de contrôle)		
			Standard			
			Advanced			
			Tour			
			Start Address	0-512	Définir l'adresse sACN de départ	
			Universe	0-255	Définir l'univers sACN	
	WDMX	Personality	Basic	Définir la personnalité WDMX (voir la section Personnalités de contrôle)		
			Standard			
			Advanced			
Tour						
		Start Address	0-512	Définir l'adresse WDMX de départ		
Control Settings	Movement	DMX	Basic	Définir la personnalité DMX (voir la section Personnalités de contrôle)		
			Standard			
			Advanced			
			Tour			
				Start Address	0-512	Définir l'adresse DMX de départ
		ArtNet	Personality	Basic	Définir la personnalité Art-Net™ (voir la section Personnalités de contrôle)	
				Standard		
				Advanced		
				Tour		
				Start Address	0-512	Définir l'adresse Art-Net™ de départ
				Universe	0-255	Définir l'univers Art-Net™
		sACN	Personality	Basic	Définir la personnalité sACN (voir la section Personnalités de contrôle)	
	Standard					
	Advanced					
	Tour					
			Start Address	0-512	Définir l'adresse sACN de départ	
			Universe	0-255	Définir l'univers sACN	
	Dual Control	Pixels	DMX	Basic	Définir la personnalité DMX (voir la section Personnalités de contrôle)	
				Standard		
				Advanced		
Tour						
			Start Address	0-512	Définir l'adresse DMX de départ	
ArtNet		Personality	Basic	Définir la personnalité Art-Net™ (voir la section Personnalités de contrôle)		
			Standard			
			Advanced			
	Tour					
		Start Address	0-512	Définir l'adresse Art-Net™ de départ		
		Universe	0-255	Définir l'univers Art-Net™		
sACN	Personality	Basic	Définir la personnalité sACN (voir la section Personnalités de contrôle)			
		Standard				
		Advanced				
		Tour				
		Start Address	0-512	Définir l'adresse sACN de départ		
		Universe	0-255	Définir l'univers sACN		
	KlingNet	Personality	Basic	Définir la personnalité Kling-Net (voir la section Personnalités de contrôle)		
Standard						

Niveaux de Programmation			Description	
Test Mode			Test Mode Niveau Principal	
Test Mode	Auto Test		Effectuer un test automatique de toutes les fonctions	
	Manual Test	Pan	000–255	Contrôler et tester manuellement chaque paramètre depuis le panneau de commande
		Tilt		
		P/T Speed		
		Red		
		Green		
		Blue		
		White		
		CTC		
		Color		
		Pattern		
		LED Macro		
		LED Ma. Speed		
		LED Ma. Fade		
		Background		
Background Dim.				
Dimmer				
Shutter				
Function				
Zoom				
Setup			Setup Niveau Principal	
Setup	Network Settings	IP Mode	Manual	Réglage manuel de l'adresse IP
			DHCP	L'adresse IP est définie par le réseau
			Static	L'adresse IP est définie par l'appareil
		IP	_ _ _ . _ _ _ . _ _ _ . _ _ _	Réglage de l'adresse IP en mode manuel
		SubMask	_ _ _ . _ _ _ . _ _ _ . _ _ _	Réglage du masque de sous-réseau en mode manuel
	Pan Reverse	NO		Fonctionnement normal du pan
		YES		Fonctionnement inversé du pan
	Tilt Reverse	NO		Fonctionnement normal du tilt
		YES		Fonctionnement inversé du tilt
	Zoom Reverse	NO		Zoom normal
		YES		Zoom inverse
	Screen Reverse	NO		L'écran s'affiche à normal
		YES		L'écran s'affiche à l'envers
		AUTO		Orientation automatique de l'écran
	Pan Angle	540		Plage d'angle de pan: 540°
		360		Plage d'angle de pan: 360°
		180		Plage d'angle de pan: 180°
	Tilt Angle	270		Plage d'angle de tilt: 270°
		180		Plage d'angle de tilt: 180°
		90		Plage d'angle de tilt: 90°
BL. O. P/T Move	NO		Pas de noir général pendant le pan/tilt	
	YES		Noir général pendant le pan/tilt	
Calibration	NO		Conserver les paramètres actuels	
	YES		Calibration de l'écran tactile	
Touchscreen Lock	NO		L'écran réponds au toucher	
	YES		L'écran ne réponds pas au toucher	
Lock Screen	NO		Boutons de verrouillage et écran tactile	
	YES		Mot de Passe: 0920	

Niveaux de Programmation			Description	
Setup (suite)			Setup Niveau Principal (suite)	
Swap XY		NO	Ne pas permuter le pan et le tilt	
		YES	Le pan contrôle le tilt et inversement	
WDMX Reset		NO	Ne pas réinitialiser le WDMX	
		YES	Réinitialiser le WDMX	
Backlight Timer		30S	L'affichage s'éteint après 30 secondes	
		1M	L'affichage s'éteint après 1 minute	
		5M	L'affichage s'éteint après 5 minutes	
		ON	L'affichage reste allumé	
Loss of Data		Hold	Conservation du dernier signal reçu	
		Close	Extinction de l'unité	
Fans		Auto	La vitesse du ventilateur s'adapte à la température de l'appareil	
		Full	La vitesse du ventilateur est réglée sur la vitesse haute	
		ECO	Mode silencieux	
C Mixing Mode		RGBW	Mélange de couleur supplémentaire (0 à 100%)	
		CMY	Mélange de couleur retirée (100% à 0)	
Dimmer Curve		Linear	Définir la courbe de gradation	
		Square		
		I Squa		
		SCurve		
Dimmer Speed		Smooth	Modifier la vitesse de gradation	
		Fast		
PWM Option		600Hz	Permet de sélectionner la fréquence de sortie MLI	
		1200Hz		
		2000Hz		
		4000Hz		
		6000Hz		
Color Balance	Red	000–255	Définir la valeur maximum de LED rouge	
	Green			
	Blue			
	White			
Preset Select		PRESET A	Options de menu des pré-réglages enregistrés	
		PRESET B		
		PRESET C		
Preset Sync		NO	Permet de transférer les options de menu des pré-réglages enregistrés vers d'autres appareils Maverick MK Pyxis de la chaîne DMX en guirlande	
		YES		
Reset Function	Pan/Tilt	NO	Réinitialiser chaque fonction de manière individuelle ou toutes les fonctions à partir du démarrage	
		YES		
	Zoom	NO		
		YES		
All	NO			
	YES			
Factory Settings		NO	Réinitialisation aux paramètres par défaut d'usine	
		YES		
Sys Info			Sys Info Niveau Principal	
Sys Info	Fixture Information	Ver	V_	Affiche la version du micrologiciel
		Running Mode	---	Affiche le mode d'exécution actuel
		Address	---	Affiche l'adresse de départ actuelle
		Temperature	---	Affiche la température actuelle de l'appareil en °C

Niveaux de Programmation		Description
Sys Info (suite)		Sys Info Niveau Principal (suite)
Fixture Information	Fixture Hours	-----
	Ip	---.'---.'---.'---
	SubMask	---.'---.'---.'---
	MAC	---.'---.'---.'---
Fan Information	Head Fan1 Speed	-----
	Head Fan2 Speed	-----
Error Information	No Error!*	
Sys Info (suite)	Channel Information	Frequency
		Pan
		Pan Fine
		Tilt
		Tilt Fine
		Pan Rotation
		Tilt Rotation
		P/T Speed
		CTC
		Color (1-2)
		Pattern
		LED Macro
		LED Ma. Speed
		LED Ma. Fine
		Background
		Background Dim.
		Bg. Dim. Fine
		Dimmer (A-B)
		Dimmer Fine (A-B)
		Shutter (1-2)
		Zoom
		Function
		Red (tout, 1-10)
		Red Fine (tout, 1-10)
		Green (tout, 1-10)
		Green fine (tout, 1-10)
		Blue (tout, 1-10)
		Blue Fine (tout, 1-10)
		White (tout, 1-10)
		White Fine (tout, 1-10)
		Dimmer (1-10)
Dimmer Fine (1-10)		
	---	Affiche toutes les valeurs actuelles des signaux en entrée, 000 à 255

Zones pour le contrôle de pixels



Valeurs “Single Control”

“Single Control”: Mode “Tour” (131-canal)

Canal	Fonction	Valeur	Pourcentage/Paramétrage
1	Pan (balayage)	000 ⇄ 255	0–100%
2	Pan fin	000 ⇄ 255	0–100%
3	Tilt (basculement)	000 ⇄ 255	0–100%
4	Tilt fin	000 ⇄ 255	0–100%
5	Pan en continu	000	Pas de fonction
		001 ⇄ 127	Pan en continu, rapide à lent
		128	Pas de fonction
6	Tilt en continu	129 ⇄ 255	Pan en continu inversé, lent à rapide
		000	Pas de fonction
		001 ⇄ 127	Tilt en continu, rapide à lent
7	Vitesse Pan/Tilt	128	Pas de fonction
		129 ⇄ 255	Tilt en continu inversé, lent à rapide
		000 ⇄ 255	Rapide à lent
8	CTC	000	Pas de fonction
		001 ⇄ 255	Température de couleur, 2800–10000 K

Canal	Fonction	Valeur	Pourcentage/Paramétrage
9	Couleur de l'anneau	000	Pas de fonction
		001 ⇔ 002	2700K R = 156 G = 118 B = 0 W = 63
		003 ⇔ 004	3200K R = 156 G = 141 B = 5 W = 89
		005 ⇔ 006	4200K R = 156 G = 141 B = 14 W = 255
		007 ⇔ 008	5600K R = 156 G = 207 B = 54 W = 255
		009 ⇔ 010	8000K R = 130 G = 255 B = 96 W = 255
		011	Bleu R = 0 G = 0 B = 255 W = 0
		012 ⇔ 048	+ vert R = 0 G = 0-255 B = 255 W = 0
		049	Cyan R = 0 G = 255 B = 255 W = 0
		050 ⇔ 086	- bleu R = 0 G = 255 B = 255-0 W = 0
		087	Vert R = 0 G = 255 B = 0 W = 0
		088 ⇔ 124	+ rouge R = 0-255 G = 255 B = 0 W = 0
		125	Jaune R = 255 G = 255 B = 0 W = 0
		126 ⇔ 162	- vert R = 255 G = 255-0 B = 0 W = 0
		163	Rouge R = 255 G = 0 B = 0 W = 0
		164 ⇔ 200	+ bleu R = 255 G = 0 B = 0-255 W = 0
		201	Magenta R = 255 G = 0 B = 255 W = 0
		202 ⇔ 238	- rouge R = 255-0 G = 0 B = 255 W = 0
		239	Bleu R = 0 G = 0 B = 255 W = 0
		240 ⇔ 247	Changement de couleur, rapide à lent
248 ⇔ 255	Saut de couleur, rapide à lent		
10	Couleur du faisceau	000	Pas de fonction
		001 ⇔ 002	2700K R = 156 G = 118 B = 0 W = 63
		003 ⇔ 004	3200K R = 156 G = 141 B = 5 W = 89
		005 ⇔ 006	4200K R = 156 G = 141 B = 14 W = 255
		007 ⇔ 008	5600K R = 156 G = 207 B = 54 W = 255
		009 ⇔ 010	8000K R = 130 G = 255 B = 96 W = 255
		011	Bleu R = 0 G = 0 B = 255 W = 0
		012 ⇔ 048	+ vert R = 0 G = 0-255 B = 255 W = 0
		049	Cyan R = 0 G = 255 B = 255 W = 0
		050 ⇔ 086	- bleu R = 0 G = 255 B = 255-0 W = 0
		087	Vert R = 0 G = 255 B = 0 W = 0
		088 ⇔ 124	+ rouge R = 0-255 G = 255 B = 0 W = 0
		125	Jaune R = 255 G = 255 B = 0 W = 0
		126 ⇔ 162	- vert R = 255 G = 255-0 B = 0 W = 0
		163	Rouge R = 255 G = 0 B = 0 W = 0
		164 ⇔ 200	+ bleu R = 255 G = 0 B = 0-255 W = 0
		201	Magenta R = 255 G = 0 B = 255 W = 0
		202 ⇔ 238	- rouge R = 255-0 G = 0 B = 255 W = 0
		239	Bleu R = 0 G = 0 B = 255 W = 0
		240 ⇔ 247	Changement de couleur, rapide à lent
248 ⇔ 255	Saut de couleur, rapide à lent		
11	Gobo	000	Pas de fonction
		001 ⇔ 255	Gobos (indexé)
12	Macro LED / Programme Automatique	000 ⇔ 015	Pas de fonction
		016 ⇔ 135	Macros LED
		136 ⇔ 255	Programmes automatique
13	Vitesse pour Macro LED / Programme Automatique	000 ⇔ 127	Rapide à lent, sens horaire
		128	Attente
		129 ⇔ 255	Lent à rapide, dans le sens antihoraire
14	Décalage interne LED	000 ⇔ 255	Rapide à lent

Canal	Fonction	Valeur	Pourcentage/Paramétrage				
15	Couleur de l'arrière plan	000	Pas de fonction				
		001 ⇄ 002	2700K	R = 156	G = 118	B = 0	W = 63
		003 ⇄ 004	3200K	R = 156	G = 141	B = 5	W = 89
		005 ⇄ 006	4200K	R = 156	G = 141	B = 14	W = 255
		007 ⇄ 008	5600K	R = 156	G = 207	B = 54	W = 255
		009 ⇄ 010	8000K	R = 130	G = 255	B = 96	W = 255
		011	Bleu	R = 0	G = 0	B = 255	W = 0
		012 ⇄ 048	+ vert	R = 0	G = 0–255	B = 255	W = 0
		049	Cyan	R = 0	G = 255	B = 255	W = 0
		050 ⇄ 086	- bleu	R = 0	G = 255	B = 255–0	W = 0
		087	Vert	R = 0	G = 255	B = 0	W = 0
		088 ⇄ 124	+ rouge	R = 0–255	G = 255	B = 0	W = 0
		125	Jaune	R = 255	G = 255	B = 0	W = 0
		126 ⇄ 162	- vert	R = 255	G = 255–0	B = 0	W = 0
		163	Rouge	R = 255	G = 0	B = 0	W = 0
		164 ⇄ 200	+ bleu	R = 255	G = 0	B = 0–255	W = 0
		201	Magenta	R = 255	G = 0	B = 255	W = 0
		202 ⇄ 238	- rouge	R = 255–0	G = 0	B = 255	W = 0
		239	Bleu	R = 0	G = 0	B = 255	W = 0
		240 ⇄ 247	Changement de couleur, rapide à lent				
248 ⇄ 255	Saut de couleur, rapide à lent						
16	Gradateur de l'arrière plan	000 ⇄ 255	0–100%				
17	Gradateur fin de l'arrière plan	000 ⇄ 255	0–100%				
18	Gradateur principal	000 ⇄ 255	0–100%				
19	Gradateur fin principal	000 ⇄ 255	0–100%				
20	Obturbateur de l'anneau	000 ⇄ 019	Arrêt				
		020 ⇄ 024	Marche				
		025 ⇄ 069	Stroboscope, rapide à lent				
		070 ⇄ 089	Stroboscope 100–0%, rapide à lent				
		090 ⇄ 109	Stroboscope 0–100%, rapide à lent				
		110 ⇄ 129	Stroboscope aléatoire, rapide à lent				
		130 ⇄ 149	Stroboscope aléatoire 100–0%, rapide à lent				
		150 ⇄ 169	Stroboscope aléatoire 0–100%, rapide à lent				
		170 ⇄ 189	Stroboscope pulsation, rapide à lent				
		190 ⇄ 209	Stroboscope pulsation aléatoire, rapide à lent				
		210 ⇄ 229	Stroboscope 0–100–0%, rapide à lent				
		230 ⇄ 244	Stroboscope pulsation aléatoire, rapide à lent				
245 ⇄ 255	Marche						
21	Obturbateur du faisceau	000 ⇄ 019	Arrêt				
		020 ⇄ 024	Marche				
		025 ⇄ 069	Stroboscope, rapide à lent				
		070 ⇄ 089	Stroboscope 100–0%, rapide à lent				
		090 ⇄ 109	Stroboscope 0–100%, rapide à lent				
		110 ⇄ 129	Stroboscope aléatoire, rapide à lent				
		130 ⇄ 149	Stroboscope aléatoire 100–0%, rapide à lent				
		150 ⇄ 169	Stroboscope aléatoire 0–100%, rapide à lent				
		170 ⇄ 189	Stroboscope pulsation, rapide à lent				
		190 ⇄ 209	Stroboscope pulsation aléatoire, rapide à lent				
		210 ⇄ 229	Stroboscope 0–100–0%, rapide à lent				
		230 ⇄ 244	Stroboscope pulsation aléatoire, rapide à lent				
245 ⇄ 255	Marche						
22	Zoom	000 ⇄ 255	Large à étroit				

Canal	Fonction	Valeur	Pourcentage/Paramétrage
23	Contrôle	000 ⇔ 009	Pas de fonction
		010 ⇔ 014	Noir général pendant le pan/tilt
		015 ⇔ 019	Réservé pour utilisation future
		020 ⇔ 024	Mode de mélange de couleur RGBW (en ajout)
		025 ⇔ 029	Mode de mélange de couleur CMY (en soustraction)
		030 ⇔ 049	Réservé pour utilisation future
		050 ⇔ 054	Réinitialisation du pan
		055 ⇔ 059	Réinitialisation du tilt
		060 ⇔ 064	Réinitialisation zoom
		065 ⇔ 069	Réservé pour utilisation future
		070 ⇔ 074	Réinitialisation totale
		075 ⇔ 109	Réservé pour utilisation future
		110 ⇔ 114	Vitesse rapide de pan/tilt
		115 ⇔ 119	Vitesse lente de pan/tilt
		120 ⇔ 124	Mode de vitesse ventilateur lente
		125 ⇔ 129	Mode de vitesse ventilateur plein régime
130 ⇔ 134	Mode de vitesse ventilateur automatique		
135 ⇔ 139	Mode de vitesse de gradation rapide		
140 ⇔ 144	Mode de vitesse de gradation lente		
145 ⇔ 255	Réservé pour utilisation future		
24	Rouge principal	000 ⇔ 255	0–100%
25	Rouge fin principal	000 ⇔ 255	0–100%
26	Vert principal	000 ⇔ 255	0–100%
27	Vert fin principal	000 ⇔ 255	0–100%
28	Bleu principal	000 ⇔ 255	0–100%
29	Bleu fin principal	000 ⇔ 255	0–100%
30	Blanc principal	000 ⇔ 255	0–100%
31	Blanc fin principal	000 ⇔ 255	0–100%
32	Gradateur 1	000 ⇔ 255	0–100%
33	Gradateur fin 1	000 ⇔ 255	0–100%
34	Rouge 1	000 ⇔ 255	0–100%
35	Rouge fin 1	000 ⇔ 255	0–100%
36	Vert 1	000 ⇔ 255	0–100%
37	Vert fin 1	000 ⇔ 255	0–100%
38	Bleu 1	000 ⇔ 255	0–100%
39	Bleu fin 1	000 ⇔ 255	0–100%
40	Blanc 1	000 ⇔ 255	0–100%
41	Blanc fin 1	000 ⇔ 255	0–100%
42	Gradateur 2	000 ⇔ 255	0–100%
43	Gradateur fin 2	000 ⇔ 255	0–100%
44	Rouge 2	000 ⇔ 255	0–100%
45	Rouge fin 2	000 ⇔ 255	0–100%
46	Vert 2	000 ⇔ 255	0–100%
47	Vert fin 2	000 ⇔ 255	0–100%
48	Bleu 2	000 ⇔ 255	0–100%
49	Bleu fin 2	000 ⇔ 255	0–100%
50	Blanc 2	000 ⇔ 255	0–100%
51	Blanc fin 2	000 ⇔ 255	0–100%
52	Gradateur 3	000 ⇔ 255	0–100%
53	Gradateur fin 3	000 ⇔ 255	0–100%
54	Rouge 3	000 ⇔ 255	0–100%
55	Rouge fin 3	000 ⇔ 255	0–100%
56	Vert 3	000 ⇔ 255	0–100%
57	Vert fin 3	000 ⇔ 255	0–100%
58	Bleu 3	000 ⇔ 255	0–100%

Canal	Fonction	Valeur	Pourcentage/Paramétrage
59	Bleu fin 3	000 ⇄ 255	0–100%
60	Blanc 3	000 ⇄ 255	0–100%
61	Blanc fin 3	000 ⇄ 255	0–100%
62	Gradateur 4	000 ⇄ 255	0–100%
63	Gradateur fin 4	000 ⇄ 255	0–100%
64	Rouge 4	000 ⇄ 255	0–100%
65	Rouge fin 4	000 ⇄ 255	0–100%
66	Vert 4	000 ⇄ 255	0–100%
67	Vert fin 4	000 ⇄ 255	0–100%
68	Bleu 4	000 ⇄ 255	0–100%
69	Bleu fin 4	000 ⇄ 255	0–100%
70	Blanc 4	000 ⇄ 255	0–100%
71	Blanc fin 4	000 ⇄ 255	0–100%
72	Gradateur 5	000 ⇄ 255	0–100%
73	Gradateur fin 5	000 ⇄ 255	0–100%
74	Rouge 5	000 ⇄ 255	0–100%
75	Rouge fin 5	000 ⇄ 255	0–100%
76	Vert 5	000 ⇄ 255	0–100%
77	Vert fin 5	000 ⇄ 255	0–100%
78	Bleu 5	000 ⇄ 255	0–100%
79	Bleu fin 5	000 ⇄ 255	0–100%
80	Blanc 5	000 ⇄ 255	0–100%
81	Blanc fin 5	000 ⇄ 255	0–100%
82	Gradateur 6	000 ⇄ 255	0–100%
83	Gradateur fin 6	000 ⇄ 255	0–100%
84	Rouge 6	000 ⇄ 255	0–100%
85	Rouge fin 6	000 ⇄ 255	0–100%
86	Vert 6	000 ⇄ 255	0–100%
87	Vert fin 6	000 ⇄ 255	0–100%
88	Bleu 6	000 ⇄ 255	0–100%
89	Bleu fin 6	000 ⇄ 255	0–100%
90	Blanc 6	000 ⇄ 255	0–100%
91	Blanc fin 6	000 ⇄ 255	0–100%
92	Gradateur 7	000 ⇄ 255	0–100%
93	Gradateur fin 7	000 ⇄ 255	0–100%
94	Rouge 7	000 ⇄ 255	0–100%
95	Rouge fin 7	000 ⇄ 255	0–100%
96	Vert 7	000 ⇄ 255	0–100%
97	Vert fin 7	000 ⇄ 255	0–100%
98	Bleu 7	000 ⇄ 255	0–100%
99	Bleu fin 7	000 ⇄ 255	0–100%
100	Blanc 7	000 ⇄ 255	0–100%
101	Blanc fin 7	000 ⇄ 255	0–100%
102	Gradateur 8	000 ⇄ 255	0–100%
103	Gradateur fin 8	000 ⇄ 255	0–100%
104	Rouge 8	000 ⇄ 255	0–100%
105	Rouge fin 8	000 ⇄ 255	0–100%
106	Vert 8	000 ⇄ 255	0–100%
107	Vert fin 8	000 ⇄ 255	0–100%
108	Bleu 8	000 ⇄ 255	0–100%
109	Bleu fin 8	000 ⇄ 255	0–100%
110	Blanc 8	000 ⇄ 255	0–100%
111	Blanc fin 8	000 ⇄ 255	0–100%
112	Gradateur 9	000 ⇄ 255	0–100%

Canal	Fonction	Valeur	Pourcentage/Paramétrage
113	Gradateur fin 9	000 ⇔ 255	0-100%
114	Rouge 9	000 ⇔ 255	0-100%
115	Rouge fin 9	000 ⇔ 255	0-100%
116	Vert 9	000 ⇔ 255	0-100%
117	Vert fin 9	000 ⇔ 255	0-100%
118	Bleu 9	000 ⇔ 255	0-100%
119	Bleu fin 9	000 ⇔ 255	0-100%
120	Blanc 9	000 ⇔ 255	0-100%
121	Blanc fin 9	000 ⇔ 255	0-100%
122	Gradateur 10	000 ⇔ 255	0-100%
123	Gradateur fin 10	000 ⇔ 255	0-100%
124	Rouge 1	000 ⇔ 255	0-100%
125	Rouge fin 10	000 ⇔ 255	0-100%
126	Vert 10	000 ⇔ 255	0-100%
127	Vert fin 10	000 ⇔ 255	0-100%
128	Bleu 10	000 ⇔ 255	0-100%
129	Bleu fin 10	000 ⇔ 255	0-100%
130	Blanc 10	000 ⇔ 255	0-100%
131	Blanc fin 10	000 ⇔ 255	0-100%

“Single Control”: Mode “Advanced” (113-canal)

Canal	Fonction	Valeur	Pourcentage/Paramétrage
1	Pan (balayage)	000 ⇔ 255	0–100%
2	Pan fin	000 ⇔ 255	0–100%
3	Tilt (basculement)	000 ⇔ 255	0–100%
4	Tilt fin	000 ⇔ 255	0–100%
5	Pan en continu	000	Pas de fonction
		001 ⇔ 127	Pan en continu, rapide à lent
		128	Pas de fonction
		129 ⇔ 255	Pan en continu inversé, lent à rapide
6	Tilt en continu	000	Pas de fonction
		001 ⇔ 127	Tilt en continu, rapide à lent
		128	Pas de fonction
		129 ⇔ 255	Tilt en continu inversé, lent à rapide
7	Vitesse Pan/Tilt	000 ⇔ 255	Rapide à lent
8	CTC	000	Pas de fonction
		001 ⇔ 255	Température de couleur, 2800–10000 K
9	Couleur de l'anneau	000	Pas de fonction
		001 ⇔ 002	2700K R = 156 G = 118 B = 0 W = 63
		003 ⇔ 004	3200K R = 156 G = 141 B = 5 W = 89
		005 ⇔ 006	4200K R = 156 G = 141 B = 14 W = 255
		007 ⇔ 008	5600K R = 156 G = 207 B = 54 W = 255
		009 ⇔ 010	8000K R = 130 G = 255 B = 96 W = 255
		011	Bleu R = 0 G = 0 B = 255 W = 0
		012 ⇔ 048	+ vert R = 0 G = 0–255 B = 255 W = 0
		049	Cyan R = 0 G = 255 B = 255 W = 0
		050 ⇔ 086	- bleu R = 0 G = 255 B = 255–0 W = 0
		087	Vert R = 0 G = 255 B = 0 W = 0
		088 ⇔ 124	+ rouge R = 0–255 G = 255 B = 0 W = 0
		125	Jaune R = 255 G = 255 B = 0 W = 0
		126 ⇔ 162	- vert R = 255 G = 255–0 B = 0 W = 0
		163	Rouge R = 255 G = 0 B = 0 W = 0
		164 ⇔ 200	+ bleu R = 255 G = 0 B = 0–255 W = 0
		201	Magenta R = 255 G = 0 B = 255 W = 0
		202 ⇔ 238	- rouge R = 255–0 G = 0 B = 255 W = 0
		239	Bleu R = 0 G = 0 B = 255 W = 0
		240 ⇔ 247	Changement de couleur, rapide à lent
248 ⇔ 255	Saut de couleur, rapide à lent		

Canal	Fonction	Valeur	Pourcentage/Paramétrage
10	Couleur du faisceau	000	Pas de fonction
		001 ⇔ 002	2700K R = 156 G = 118 B = 0 W = 63
		003 ⇔ 004	3200K R = 156 G = 141 B = 5 W = 89
		005 ⇔ 006	4200K R = 156 G = 141 B = 14 W = 255
		007 ⇔ 008	5600K R = 156 G = 207 B = 54 W = 255
		009 ⇔ 010	8000K R = 130 G = 255 B = 96 W = 255
		011	Bleu R = 0 G = 0 B = 255 W = 0
		012 ⇔ 048	+ vert R = 0 G = 0-255 B = 255 W = 0
		049	Cyan R = 0 G = 255 B = 255 W = 0
		050 ⇔ 086	- bleu R = 0 G = 255 B = 255-0 W = 0
		087	Vert R = 0 G = 255 B = 0 W = 0
		088 ⇔ 124	+ rouge R = 0-255 G = 255 B = 0 W = 0
		125	Jaune R = 255 G = 255 B = 0 W = 0
		126 ⇔ 162	- vert R = 255 G = 255-0 B = 0 W = 0
		163	Rouge R = 255 G = 0 B = 0 W = 0
		164 ⇔ 200	+ bleu R = 255 G = 0 B = 0-255 W = 0
		201	Magenta R = 255 G = 0 B = 255 W = 0
		202 ⇔ 238	- rouge R = 255-0 G = 0 B = 255 W = 0
		239	Bleu R = 0 G = 0 B = 255 W = 0
		240 ⇔ 247	Changement de couleur, rapide à lent
248 ⇔ 255	Saut de couleur, rapide à lent		
11	Gobo	000	Pas de fonction
		001 ⇔ 255	Gobos (indexé)
12	Macro LED / Programme Automatique	000 ⇔ 015	Pas de fonction
		016 ⇔ 135	Macros LED
		136 ⇔ 255	Programmes automatique
13	Vitesse pour Macro LED / Programme Automatique	000 ⇔ 127	Rapide à lent, sens horaire
		128	Attente
		129 ⇔ 255	Lent à rapide, dans le sens antihoraire
14	Décalage interne LED	000 ⇔ 255	Rapide à lent
15	Couleur de l'arrière plan	000	Pas de fonction
		001 ⇔ 002	2700K R = 156 G = 118 B = 0 W = 63
		003 ⇔ 004	3200K R = 156 G = 141 B = 5 W = 89
		005 ⇔ 006	4200K R = 156 G = 141 B = 14 W = 255
		007 ⇔ 008	5600K R = 156 G = 207 B = 54 W = 255
		009 ⇔ 010	8000K R = 130 G = 255 B = 96 W = 255
		011	Bleu R = 0 G = 0 B = 255 W = 0
		012 ⇔ 048	+ vert R = 0 G = 0-255 B = 255 W = 0
		049	Cyan R = 0 G = 255 B = 255 W = 0
		050 ⇔ 086	- bleu R = 0 G = 255 B = 255-0 W = 0
		087	Vert R = 0 G = 255 B = 0 W = 0
		088 ⇔ 124	+ rouge R = 0-255 G = 255 B = 0 W = 0
		125	Jaune R = 255 G = 255 B = 0 W = 0
		126 ⇔ 162	- vert R = 255 G = 255-0 B = 0 W = 0
		163	Rouge R = 255 G = 0 B = 0 W = 0
		164 ⇔ 200	+ bleu R = 255 G = 0 B = 0-255 W = 0
		201	Magenta R = 255 G = 0 B = 255 W = 0
		202 ⇔ 238	- rouge R = 255-0 G = 0 B = 255 W = 0
		239	Bleu R = 0 G = 0 B = 255 W = 0
		240 ⇔ 247	Changement de couleur, rapide à lent
248 ⇔ 255	Saut de couleur, rapide à lent		
16	Gradateur de l'arrière plan	000 ⇔ 255	0-100%
17	Gradateur fin de l'arrière plan	000 ⇔ 255	0-100%
18	Gradateur de l'anneau	000 ⇔ 255	0-100%
19	Gradateur fin de l'anneau	000 ⇔ 255	0-100%

Canal	Fonction	Valeur	Pourcentage/Paramétrage
20	Gradateur du faisceau	000 ⇄ 255	0–100%
21	Gradateur fin du faisceau	000 ⇄ 255	0–100%
22	Obturateur de l'anneau	000 ⇄ 019	Arrêt
		020 ⇄ 024	Marche
		025 ⇄ 069	Stroboscope, rapide à lent
		070 ⇄ 089	Stroboscope 100–0%, rapide à lent
		090 ⇄ 109	Stroboscope 0–100%, rapide à lent
		110 ⇄ 129	Stroboscope aléatoire, rapide à lent
		130 ⇄ 149	Stroboscope aléatoire 100–0%, rapide à lent
		150 ⇄ 169	Stroboscope aléatoire 0–100%, rapide à lent
		170 ⇄ 189	Stroboscope pulsation, rapide à lent
		190 ⇄ 209	Stroboscope pulsation aléatoire, rapide à lent
		210 ⇄ 229	Stroboscope 0–100–0%, rapide à lent
230 ⇄ 244	Stroboscope pulsation aléatoire, rapide à lent		
245 ⇄ 255	Marche		
23	Obturateur du faisceau	000 ⇄ 019	Arrêt
		020 ⇄ 024	Marche
		025 ⇄ 069	Stroboscope, rapide à lent
		070 ⇄ 089	Stroboscope 100–0%, rapide à lent
		090 ⇄ 109	Stroboscope 0–100%, rapide à lent
		110 ⇄ 129	Stroboscope aléatoire, rapide à lent
		130 ⇄ 149	Stroboscope aléatoire 100–0%, rapide à lent
		150 ⇄ 169	Stroboscope aléatoire 0–100%, rapide à lent
		170 ⇄ 189	Stroboscope pulsation, rapide à lent
		190 ⇄ 209	Stroboscope pulsation aléatoire, rapide à lent
		210 ⇄ 229	Stroboscope 0–100–0%, rapide à lent
230 ⇄ 244	Stroboscope pulsation aléatoire, rapide à lent		
245 ⇄ 255	Marche		
24	Zoom	000 ⇄ 255	Large à étroit
25	Contrôle	000 ⇄ 009	Pas de fonction
		010 ⇄ 014	Noir général pendant le pan/tilt
		015 ⇄ 019	Réservé pour utilisation future
		020 ⇄ 024	Mode de mélange de couleur RGBW (en ajout)
		025 ⇄ 029	Mode de mélange de couleur CMY (en soustraction)
		030 ⇄ 049	Réservé pour utilisation future
		050 ⇄ 054	Réinitialisation du pan
		055 ⇄ 059	Réinitialisation du tilt
		060 ⇄ 064	Réinitialisation zoom
		065 ⇄ 069	Réservé pour utilisation future
		070 ⇄ 074	Réinitialisation totale
		075 ⇄ 109	Réservé pour utilisation future
		110 ⇄ 114	Vitesse rapide de pan/tilt
		115 ⇄ 119	Vitesse lente de pan/tilt
		120 ⇄ 124	Mode de vitesse ventilateur lente
		125 ⇄ 129	Mode de vitesse ventilateur plein régime
		130 ⇄ 134	Mode de vitesse ventilateur automatique
135 ⇄ 139	Mode de vitesse de gradation rapide		
140 ⇄ 144	Mode de vitesse de gradation lente		
145 ⇄ 255	Réservé pour utilisation future		
26	Rouge principal	000 ⇄ 255	0–100%
27	Rouge fin principal	000 ⇄ 255	0–100%
28	Vert principal	000 ⇄ 255	0–100%
29	Vert fin principal	000 ⇄ 255	0–100%
30	Bleu principal	000 ⇄ 255	0–100%
31	Bleu fin principal	000 ⇄ 255	0–100%

Canal	Fonction	Valeur	Pourcentage/Paramétrage
32	Blanc principal	000 ⇔ 255	0-100%
33	Blanc fin principal	000 ⇔ 255	0-100%
34	Rouge 1	000 ⇔ 255	0-100%
35	Rouge fin 1	000 ⇔ 255	0-100%
36	Vert 1	000 ⇔ 255	0-100%
37	Vert fin 1	000 ⇔ 255	0-100%
38	Bleu 1	000 ⇔ 255	0-100%
39	Bleu fin 1	000 ⇔ 255	0-100%
40	Blanc 1	000 ⇔ 255	0-100%
41	Blanc fin 1	000 ⇔ 255	0-100%
42	Rouge 2	000 ⇔ 255	0-100%
43	Rouge fin 2	000 ⇔ 255	0-100%
44	Vert 2	000 ⇔ 255	0-100%
45	Vert fin 2	000 ⇔ 255	0-100%
46	Bleu 2	000 ⇔ 255	0-100%
47	Bleu fin 2	000 ⇔ 255	0-100%
48	Blanc 2	000 ⇔ 255	0-100%
49	Blanc fin 2	000 ⇔ 255	0-100%
50	Rouge 3	000 ⇔ 255	0-100%
51	Rouge fin 3	000 ⇔ 255	0-100%
52	Vert 3	000 ⇔ 255	0-100%
53	Vert fin 3	000 ⇔ 255	0-100%
54	Bleu 3	000 ⇔ 255	0-100%
55	Bleu fin 3	000 ⇔ 255	0-100%
56	Blanc 3	000 ⇔ 255	0-100%
57	Blanc fin 3	000 ⇔ 255	0-100%
58	Rouge 4	000 ⇔ 255	0-100%
59	Rouge fin 4	000 ⇔ 255	0-100%
60	Vert 4	000 ⇔ 255	0-100%
61	Vert fin 4	000 ⇔ 255	0-100%
62	Bleu 4	000 ⇔ 255	0-100%
63	Bleu fin 4	000 ⇔ 255	0-100%
64	Blanc 4	000 ⇔ 255	0-100%
65	Blanc fin 4	000 ⇔ 255	0-100%
66	Rouge 5	000 ⇔ 255	0-100%
67	Rouge fin 5	000 ⇔ 255	0-100%
68	Vert 5	000 ⇔ 255	0-100%
69	Vert fin 5	000 ⇔ 255	0-100%
70	Bleu 5	000 ⇔ 255	0-100%
71	Bleu fin 5	000 ⇔ 255	0-100%
72	Blanc 5	000 ⇔ 255	0-100%
73	Blanc fin 5	000 ⇔ 255	0-100%
74	Rouge 6	000 ⇔ 255	0-100%
75	Rouge fin 6	000 ⇔ 255	0-100%
76	Vert 6	000 ⇔ 255	0-100%
77	Vert fin 6	000 ⇔ 255	0-100%
78	Bleu 6	000 ⇔ 255	0-100%
79	Bleu fin 6	000 ⇔ 255	0-100%
80	Blanc 6	000 ⇔ 255	0-100%
81	Blanc fin 6	000 ⇔ 255	0-100%
82	Rouge 7	000 ⇔ 255	0-100%
83	Rouge fin 7	000 ⇔ 255	0-100%
84	Vert 7	000 ⇔ 255	0-100%
85	Vert fin 7	000 ⇔ 255	0-100%

Canal	Fonction	Valeur	Pourcentage/Paramétrage
86	Bleu 7	000 ⇄ 255	0–100%
87	Bleu fin 7	000 ⇄ 255	0–100%
88	Blanc 7	000 ⇄ 255	0–100%
89	Blanc fin 7	000 ⇄ 255	0–100%
90	Rouge 8	000 ⇄ 255	0–100%
91	Rouge fin 8	000 ⇄ 255	0–100%
92	Vert 8	000 ⇄ 255	0–100%
93	Vert fin 8	000 ⇄ 255	0–100%
94	Bleu 8	000 ⇄ 255	0–100%
95	Bleu fin 8	000 ⇄ 255	0–100%
96	Blanc 8	000 ⇄ 255	0–100%
97	Blanc fin 8	000 ⇄ 255	0–100%
98	Rouge 9	000 ⇄ 255	0–100%
99	Rouge fin 9	000 ⇄ 255	0–100%
100	Vert 9	000 ⇄ 255	0–100%
101	Vert fin 9	000 ⇄ 255	0–100%
102	Bleu 9	000 ⇄ 255	0–100%
103	Bleu fin 9	000 ⇄ 255	0–100%
104	Blanc 9	000 ⇄ 255	0–100%
105	Blanc fin 9	000 ⇄ 255	0–100%
106	Rouge 10	000 ⇄ 255	0–100%
107	Rouge fin 10	000 ⇄ 255	0–100%
108	Vert 10	000 ⇄ 255	0–100%
109	Vert fin 10	000 ⇄ 255	0–100%
110	Bleu 10	000 ⇄ 255	0–100%
111	Bleu fin 10	000 ⇄ 255	0–100%
112	Blanc 10	000 ⇄ 255	0–100%
113	Blanc fin 10	000 ⇄ 255	0–100%

“Single Control”: Mode “Standard” (66-canal)

Canal	Fonction	Valeur	Pourcentage/Paramétrage
1	Pan (balayage)	000 ⇔ 255	0–100%
2	Pan fin	000 ⇔ 255	0–100%
3	Tilt (basculement)	000 ⇔ 255	0–100%
4	Tilt fin	000 ⇔ 255	0–100%
5	Pan en continu	000	Pas de fonction
		001 ⇔ 127	Pan en continu, rapide à lent
		128	Pas de fonction
		129 ⇔ 255	Pan en continu inversé, lent à rapide
6	Tilt en continu	000	Pas de fonction
		001 ⇔ 127	Tilt en continu, rapide à lent
		128	Pas de fonction
		129 ⇔ 255	Tilt en continu inversé, lent à rapide
7	Vitesse Pan/Tilt	000 ⇔ 255	Rapide à lent
8	CTC	000	Pas de fonction
		001 ⇔ 255	Température de couleur, 2800–10000 K
9	Couleur de l'anneau	000	Pas de fonction
		001 ⇔ 002	2700K R = 156 G = 118 B = 0 W = 63
		003 ⇔ 004	3200K R = 156 G = 141 B = 5 W = 89
		005 ⇔ 006	4200K R = 156 G = 141 B = 14 W = 255
		007 ⇔ 008	5600K R = 156 G = 207 B = 54 W = 255
		009 ⇔ 010	8000K R = 130 G = 255 B = 96 W = 255
		011	Bleu R = 0 G = 0 B = 255 W = 0
		012 ⇔ 048	+ vert R = 0 G = 0–255 B = 255 W = 0
		049	Cyan R = 0 G = 255 B = 255 W = 0
		050 ⇔ 086	- bleu R = 0 G = 255 B = 255–0 W = 0
		087	Vert R = 0 G = 255 B = 0 W = 0
		088 ⇔ 124	+ rouge R = 0–255 G = 255 B = 0 W = 0
		125	Jaune R = 255 G = 255 B = 0 W = 0
		126 ⇔ 162	- vert R = 255 G = 255–0 B = 0 W = 0
		163	Rouge R = 255 G = 0 B = 0 W = 0
		164 ⇔ 200	+ bleu R = 255 G = 0 B = 0–255 W = 0
		201	Magenta R = 255 G = 0 B = 255 W = 0
		202 ⇔ 238	- rouge R = 255–0 G = 0 B = 255 W = 0
		239	Bleu R = 0 G = 0 B = 255 W = 0
		240 ⇔ 247	Changement de couleur, rapide à lent
248 ⇔ 255	Saut de couleur, rapide à lent		

Canal	Fonction	Valeur	Pourcentage/Paramétrage				
10	Couleur du faisceau	000	Pas de fonction				
		001 ⇄ 002	2700K	R = 156	G = 118	B = 0	W = 63
		003 ⇄ 004	3200K	R = 156	G = 141	B = 5	W = 89
		005 ⇄ 006	4200K	R = 156	G = 141	B = 14	W = 255
		007 ⇄ 008	5600K	R = 156	G = 207	B = 54	W = 255
		009 ⇄ 010	8000K	R = 130	G = 255	B = 96	W = 255
		011	Bleu	R = 0	G = 0	B = 255	W = 0
		012 ⇄ 048	+ vert	R = 0	G = 0–255	B = 255	W = 0
		049	Cyan	R = 0	G = 255	B = 255	W = 0
		050 ⇄ 086	- bleu	R = 0	G = 255	B = 255–0	W = 0
		087	Vert	R = 0	G = 255	B = 0	W = 0
		088 ⇄ 124	+ rouge	R = 0–255	G = 255	B = 0	W = 0
		125	Jaune	R = 255	G = 255	B = 0	W = 0
		126 ⇄ 162	- vert	R = 255	G = 255–0	B = 0	W = 0
		163	Rouge	R = 255	G = 0	B = 0	W = 0
		164 ⇄ 200	+ bleu	R = 255	G = 0	B = 0–255	W = 0
		201	Magenta	R = 255	G = 0	B = 255	W = 0
		202 ⇄ 238	- rouge	R = 255–0	G = 0	B = 255	W = 0
		239	Bleu	R = 0	G = 0	B = 255	W = 0
		240 ⇄ 247	Changement de couleur, rapide à lent				
248 ⇄ 255	Saut de couleur, rapide à lent						
11	Gobo	000	Pas de fonction				
		001 ⇄ 255	Gobos (indexé)				
12	Macro LED / Programme Automatique	000 ⇄ 015	Pas de fonction				
		016 ⇄ 135	Macros LED				
		136 ⇄ 255	Programmes automatique				
13	Vitesse pour Macro LED / Programme Automatique	000 ⇄ 127	Rapide à lent, sens horaire				
		128	Attente				
		129 ⇄ 255	Lent à rapide, dans le sens antihoraire				
14	Décalage interne LED	000 ⇄ 255	Rapide à lent				
15	Couleur de l'arrière plan	000	Pas de fonction				
		001 ⇄ 002	2700K	R = 156	G = 118	B = 0	W = 63
		003 ⇄ 004	3200K	R = 156	G = 141	B = 5	W = 89
		005 ⇄ 006	4200K	R = 156	G = 141	B = 14	W = 255
		007 ⇄ 008	5600K	R = 156	G = 207	B = 54	W = 255
		009 ⇄ 010	8000K	R = 130	G = 255	B = 96	W = 255
		011	Bleu	R = 0	G = 0	B = 255	W = 0
		012 ⇄ 048	+ vert	R = 0	G = 0–255	B = 255	W = 0
		049	Cyan	R = 0	G = 255	B = 255	W = 0
		050 ⇄ 086	- bleu	R = 0	G = 255	B = 255–0	W = 0
		087	Vert	R = 0	G = 255	B = 0	W = 0
		088 ⇄ 124	+ rouge	R = 0–255	G = 255	B = 0	W = 0
		125	Jaune	R = 255	G = 255	B = 0	W = 0
		126 ⇄ 162	- vert	R = 255	G = 255–0	B = 0	W = 0
		163	Rouge	R = 255	G = 0	B = 0	W = 0
		164 ⇄ 200	+ bleu	R = 255	G = 0	B = 0–255	W = 0
		201	Magenta	R = 255	G = 0	B = 255	W = 0
		202 ⇄ 238	- rouge	R = 255–0	G = 0	B = 255	W = 0
		239	Bleu	R = 0	G = 0	B = 255	W = 0
		240 ⇄ 247	Changement de couleur, rapide à lent				
248 ⇄ 255	Saut de couleur, rapide à lent						
16	Gradateur de l'arrière plan	000 ⇄ 255	0–100%				
17	Gradateur de l'anneau	000 ⇄ 255	0–100%				
18	Gradateur du faisceau	000 ⇄ 255	0–100%				

Canal	Fonction	Valeur	Pourcentage/Paramétrage
19	Obturateur de l'anneau	000 ⇔ 019	Arrêt
		020 ⇔ 024	Marche
		025 ⇔ 069	Stroboscope, rapide à lent
		070 ⇔ 089	Stroboscope 100–0%, rapide à lent
		090 ⇔ 109	Stroboscope 0–100%, rapide à lent
		110 ⇔ 129	Stroboscope aléatoire, rapide à lent
		130 ⇔ 149	Stroboscope aléatoire 100–0%, rapide à lent
		150 ⇔ 169	Stroboscope aléatoire 0–100%, rapide à lent
		170 ⇔ 189	Stroboscope pulsation, rapide à lent
		190 ⇔ 209	Stroboscope pulsation aléatoire, rapide à lent
		210 ⇔ 229	Stroboscope 0–100–0%, rapide à lent
		230 ⇔ 244	Stroboscope pulsation aléatoire, rapide à lent
245 ⇔ 255	Marche		
20	Obturateur du faisceau	000 ⇔ 019	Arrêt
		020 ⇔ 024	Marche
		025 ⇔ 069	Stroboscope, rapide à lent
		070 ⇔ 089	Stroboscope 100–0%, rapide à lent
		090 ⇔ 109	Stroboscope 0–100%, rapide à lent
		110 ⇔ 129	Stroboscope aléatoire, rapide à lent
		130 ⇔ 149	Stroboscope aléatoire 100–0%, rapide à lent
		150 ⇔ 169	Stroboscope aléatoire 0–100%, rapide à lent
		170 ⇔ 189	Stroboscope pulsation, rapide à lent
		190 ⇔ 209	Stroboscope pulsation aléatoire, rapide à lent
		210 ⇔ 229	Stroboscope 0–100–0%, rapide à lent
		230 ⇔ 244	Stroboscope pulsation aléatoire, rapide à lent
245 ⇔ 255	Marche		
21	Zoom	000 ⇔ 255	Large à étroit
22	Contrôle	000 ⇔ 009	Pas de fonction
		010 ⇔ 014	Noir général pendant le pan/tilt
		015 ⇔ 019	Réservé pour utilisation future
		020 ⇔ 024	Mode de mélange de couleur RGBW (en ajout)
		025 ⇔ 029	Mode de mélange de couleur CMY (en soustraction)
		030 ⇔ 049	Réservé pour utilisation future
		050 ⇔ 054	Réinitialisation du pan
		055 ⇔ 059	Réinitialisation du tilt
		060 ⇔ 064	Réinitialisation zoom
		065 ⇔ 069	Réservé pour utilisation future
		070 ⇔ 074	Réinitialisation totale
		075 ⇔ 109	Réservé pour utilisation future
		110 ⇔ 114	Vitesse rapide de pan/tilt
		115 ⇔ 119	Vitesse lente de pan/tilt
		120 ⇔ 124	Mode de vitesse ventilateur lente
		125 ⇔ 129	Mode de vitesse ventilateur plein régime
		130 ⇔ 134	Mode de vitesse ventilateur automatique
135 ⇔ 139	Mode de vitesse de gradation rapide		
140 ⇔ 144	Mode de vitesse de gradation lente		
145 ⇔ 255	Réservé pour utilisation future		
23	Rouge principal	000 ⇔ 255	0–100%
24	Vert principal	000 ⇔ 255	0–100%
25	Bleu principal	000 ⇔ 255	0–100%
26	Blanc principal	000 ⇔ 255	0–100%
27	Rouge 1	000 ⇔ 255	0–100%
28	Vert 1	000 ⇔ 255	0–100%
29	Bleu 1	000 ⇔ 255	0–100%
30	Blanc 1	000 ⇔ 255	0–100%

Canal	Fonction	Valeur	Pourcentage/Paramétrage
31	Rouge 2	000 ⇄ 255	0–100%
32	Vert 2	000 ⇄ 255	0–100%
33	Bleu 2	000 ⇄ 255	0–100%
34	Blanc 2	000 ⇄ 255	0–100%
35	Rouge 3	000 ⇄ 255	0–100%
36	Vert 3	000 ⇄ 255	0–100%
37	Bleu 3	000 ⇄ 255	0–100%
38	Blanc 3	000 ⇄ 255	0–100%
39	Rouge 4	000 ⇄ 255	0–100%
40	Vert 4	000 ⇄ 255	0–100%
41	Bleu 4	000 ⇄ 255	0–100%
42	Blanc 4	000 ⇄ 255	0–100%
43	Rouge 5	000 ⇄ 255	0–100%
44	Vert 5	000 ⇄ 255	0–100%
45	Bleu 5	000 ⇄ 255	0–100%
46	Blanc 5	000 ⇄ 255	0–100%
47	Rouge 6	000 ⇄ 255	0–100%
48	Vert 6	000 ⇄ 255	0–100%
49	Bleu 6	000 ⇄ 255	0–100%
50	Blanc 6	000 ⇄ 255	0–100%
51	Rouge 7	000 ⇄ 255	0–100%
52	Vert 7	000 ⇄ 255	0–100%
53	Bleu 7	000 ⇄ 255	0–100%
54	Blanc 7	000 ⇄ 255	0–100%
55	Rouge 8	000 ⇄ 255	0–100%
56	Vert 8	000 ⇄ 255	0–100%
57	Bleu 8	000 ⇄ 255	0–100%
58	Blanc 8	000 ⇄ 255	0–100%
59	Rouge 9	000 ⇄ 255	0–100%
60	Vert 9	000 ⇄ 255	0–100%
61	Bleu 9	000 ⇄ 255	0–100%
62	Blanc 9	000 ⇄ 255	0–100%
63	Rouge 10	000 ⇄ 255	0–100%
64	Vert 10	000 ⇄ 255	0–100%
65	Bleu 10	000 ⇄ 255	0–100%
66	Blanc 10	000 ⇄ 255	0–100%

“Single Control”: Mode “Basic” (26-canal)

Canal	Fonction	Valeur	Pourcentage/Paramétrage
1	Pan (balayage)	000 ⇄ 255	0–100%
2	Pan fin	000 ⇄ 255	0–100%
3	Tilt (basculement)	000 ⇄ 255	0–100%
4	Tilt fin	000 ⇄ 255	0–100%
5	Pan en continu	000	Pas de fonction
		001 ⇄ 127	Pan en continu, rapide à lent
		128	Pas de fonction
		129 ⇄ 255	Pan en continu inversé, lent à rapide
6	Tilt en continu	000	Pas de fonction
		001 ⇄ 127	Tilt en continu, rapide à lent
		128	Pas de fonction
		129 ⇄ 255	Tilt en continu inversé, lent à rapide
7	Vitesse Pan/Tilt	000 ⇄ 255	Rapide à lent
8	CTC	000	Pas de fonction
		001 ⇄ 255	Température de couleur, 2800–10000 K

Canal	Fonction	Valeur	Pourcentage/Paramétrage
9	Couleur de l'anneau	000	Pas de fonction
		001 ⇔ 002	2700K R = 156 G = 118 B = 0 W = 63
		003 ⇔ 004	3200K R = 156 G = 141 B = 5 W = 89
		005 ⇔ 006	4200K R = 156 G = 141 B = 14 W = 255
		007 ⇔ 008	5600K R = 156 G = 207 B = 54 W = 255
		009 ⇔ 010	8000K R = 130 G = 255 B = 96 W = 255
		011	Bleu R = 0 G = 0 B = 255 W = 0
		012 ⇔ 048	+ vert R = 0 G = 0-255 B = 255 W = 0
		049	Cyan R = 0 G = 255 B = 255 W = 0
		050 ⇔ 086	- bleu R = 0 G = 255 B = 255-0 W = 0
		087	Vert R = 0 G = 255 B = 0 W = 0
		088 ⇔ 124	+ rouge R = 0-255 G = 255 B = 0 W = 0
		125	Jaune R = 255 G = 255 B = 0 W = 0
		126 ⇔ 162	- vert R = 255 G = 255-0 B = 0 W = 0
		163	Rouge R = 255 G = 0 B = 0 W = 0
		164 ⇔ 200	+ bleu R = 255 G = 0 B = 0-255 W = 0
		201	Magenta R = 255 G = 0 B = 255 W = 0
		202 ⇔ 238	- rouge R = 255-0 G = 0 B = 255 W = 0
		239	Bleu R = 0 G = 0 B = 255 W = 0
		240 ⇔ 247	Changement de couleur, rapide à lent
248 ⇔ 255	Saut de couleur, rapide à lent		
10	Couleur du faisceau	000	Pas de fonction
		001 ⇔ 002	2700K R = 156 G = 118 B = 0 W = 63
		003 ⇔ 004	3200K R = 156 G = 141 B = 5 W = 89
		005 ⇔ 006	4200K R = 156 G = 141 B = 14 W = 255
		007 ⇔ 008	5600K R = 156 G = 207 B = 54 W = 255
		009 ⇔ 010	8000K R = 130 G = 255 B = 96 W = 255
		011	Bleu R = 0 G = 0 B = 255 W = 0
		012 ⇔ 048	+ vert R = 0 G = 0-255 B = 255 W = 0
		049	Cyan R = 0 G = 255 B = 255 W = 0
		050 ⇔ 086	- bleu R = 0 G = 255 B = 255-0 W = 0
		087	Vert R = 0 G = 255 B = 0 W = 0
		088 ⇔ 124	+ rouge R = 0-255 G = 255 B = 0 W = 0
		125	Jaune R = 255 G = 255 B = 0 W = 0
		126 ⇔ 162	- vert R = 255 G = 255-0 B = 0 W = 0
		163	Rouge R = 255 G = 0 B = 0 W = 0
		164 ⇔ 200	+ bleu R = 255 G = 0 B = 0-255 W = 0
		201	Magenta R = 255 G = 0 B = 255 W = 0
		202 ⇔ 238	- rouge R = 255-0 G = 0 B = 255 W = 0
		239	Bleu R = 0 G = 0 B = 255 W = 0
		240 ⇔ 247	Changement de couleur, rapide à lent
248 ⇔ 255	Saut de couleur, rapide à lent		
11	Gobo	000	Pas de fonction
		001 ⇔ 255	Gobos (indexé)
12	Macro LED / Programme Automatique	000 ⇔ 015	Pas de fonction
		016 ⇔ 135	Macros LED
		136 ⇔ 255	Programmes automatique
13	Vitesse pour Macro LED / Programme Automatique	000 ⇔ 127	Rapide à lent, sens horaire
		128	Attente
		129 ⇔ 255	Lent à rapide, dans le sens antihoraire
14	Décalage interne LED	000 ⇔ 255	Rapide à lent

Canal	Fonction	Valeur	Pourcentage/Paramétrage
15	Couleur de l'arrière plan	000	Pas de fonction
		001 ⇄ 002	2700K R = 156 G = 118 B = 0 W = 63
		003 ⇄ 004	3200K R = 156 G = 141 B = 5 W = 89
		005 ⇄ 006	4200K R = 156 G = 141 B = 14 W = 255
		007 ⇄ 008	5600K R = 156 G = 207 B = 54 W = 255
		009 ⇄ 010	8000K R = 130 G = 255 B = 96 W = 255
		011	Bleu R = 0 G = 0 B = 255 W = 0
		012 ⇄ 048	+ vert R = 0 G = 0-255 B = 255 W = 0
		049	Cyan R = 0 G = 255 B = 255 W = 0
		050 ⇄ 086	- bleu R = 0 G = 255 B = 255-0 W = 0
		087	Vert R = 0 G = 255 B = 0 W = 0
		088 ⇄ 124	+ rouge R = 0-255 G = 255 B = 0 W = 0
		125	Jaune R = 255 G = 255 B = 0 W = 0
		126 ⇄ 162	- vert R = 255 G = 255-0 B = 0 W = 0
		163	Rouge R = 255 G = 0 B = 0 W = 0
		164 ⇄ 200	+ bleu R = 255 G = 0 B = 0-255 W = 0
		201	Magenta R = 255 G = 0 B = 255 W = 0
		202 ⇄ 238	- rouge R = 255-0 G = 0 B = 255 W = 0
		239	Bleu R = 0 G = 0 B = 255 W = 0
		240 ⇄ 247	Changement de couleur, rapide à lent
248 ⇄ 255	Saut de couleur, rapide à lent		
16	Gradateur de l'arrière plan	000 ⇄ 255	0-100%
17	Gradateur de l'anneau	000 ⇄ 255	0-100%
18	Gradateur du faisceau	000 ⇄ 255	0-100%
19	Obturbateur de l'anneau	000 ⇄ 019	Arrêt
		020 ⇄ 024	Marche
		025 ⇄ 069	Stroboscope, rapide à lent
		070 ⇄ 089	Stroboscope 100-0%, rapide à lent
		090 ⇄ 109	Stroboscope 0-100%, rapide à lent
		110 ⇄ 129	Stroboscope aléatoire, rapide à lent
		130 ⇄ 149	Stroboscope aléatoire 100-0%, rapide à lent
		150 ⇄ 169	Stroboscope aléatoire 0-100%, rapide à lent
		170 ⇄ 189	Stroboscope pulsation, rapide à lent
		190 ⇄ 209	Stroboscope pulsation aléatoire, rapide à lent
		210 ⇄ 229	Stroboscope 0-100-0%, rapide à lent
		230 ⇄ 244	Stroboscope pulsation aléatoire, rapide à lent
245 ⇄ 255	Marche		
20	Obturbateur du faisceau	000 ⇄ 019	Arrêt
		020 ⇄ 024	Marche
		025 ⇄ 069	Stroboscope, rapide à lent
		070 ⇄ 089	Stroboscope 100-0%, rapide à lent
		090 ⇄ 109	Stroboscope 0-100%, rapide à lent
		110 ⇄ 129	Stroboscope aléatoire, rapide à lent
		130 ⇄ 149	Stroboscope aléatoire 100-0%, rapide à lent
		150 ⇄ 169	Stroboscope aléatoire 0-100%, rapide à lent
		170 ⇄ 189	Stroboscope pulsation, rapide à lent
		190 ⇄ 209	Stroboscope pulsation aléatoire, rapide à lent
		210 ⇄ 229	Stroboscope 0-100-0%, rapide à lent
		230 ⇄ 244	Stroboscope pulsation aléatoire, rapide à lent
245 ⇄ 255	Marche		
21	Zoom	000 ⇄ 255	Large à étroit

Canal	Fonction	Valeur	Pourcentage/Paramétrage
22	Contrôle	000 ⇔ 009	Pas de fonction
		010 ⇔ 014	Noir général pendant le pan/tilt
		015 ⇔ 019	Réservé pour utilisation future
		020 ⇔ 024	Mode de mélange de couleur RGBW (en ajout)
		025 ⇔ 029	Mode de mélange de couleur CMY (en soustraction)
		030 ⇔ 049	Réservé pour utilisation future
		050 ⇔ 054	Réinitialisation du pan
		055 ⇔ 059	Réinitialisation du tilt
		060 ⇔ 064	Réinitialisation zoom
		065 ⇔ 069	Réservé pour utilisation future
		070 ⇔ 074	Réinitialisation totale
		075 ⇔ 109	Réservé pour utilisation future
		110 ⇔ 114	Vitesse rapide de pan/tilt
		115 ⇔ 119	Vitesse lente de pan/tilt
		120 ⇔ 124	Mode de vitesse ventilateur lente
		125 ⇔ 129	Mode de vitesse ventilateur plein régime
130 ⇔ 134	Mode de vitesse ventilateur automatique		
135 ⇔ 139	Mode de vitesse de gradation rapide		
140 ⇔ 144	Mode de vitesse de gradation lente		
145 ⇔ 255	Réservé pour utilisation future		
23	Rouge principal	000 ⇔ 255	0–100%
24	Vert principal	000 ⇔ 255	0–100%
25	Bleu principal	000 ⇔ 255	0–100%
26	Blanc principal	000 ⇔ 255	0–100%

Valeurs “Dual Control” (Movement)

“Dual Control”: Mode “Advanced Movement” (41-canal)

Canal	Fonction	Valeur	Pourcentage/Paramétrage
1	Pan (balayage)	000 ⇄ 255	0–100%
2	Pan fin	000 ⇄ 255	0–100%
3	Tilt (basculement)	000 ⇄ 255	0–100%
4	Tilt fin	000 ⇄ 255	0–100%
5	Pan en continu	000	Pas de fonction
		001 ⇄ 127	Pan en continu, rapide à lent
		128	Pas de fonction
		129 ⇄ 255	Pan en continu inversé, lent à rapide
6	Tilt en continu	000	Pas de fonction
		001 ⇄ 127	Tilt en continu, rapide à lent
		128	Pas de fonction
		129 ⇄ 255	Tilt en continu inversé, lent à rapide
7	Vitesse Pan/Tilt	000 ⇄ 255	Rapide à lent
8	CTC	000	Pas de fonction
		001 ⇄ 255	Température de couleur, 2800–10000 K
9	Couleur de l'anneau	000	Pas de fonction
		001 ⇄ 002	2700K R = 156 G = 118 B = 0 W = 63
		003 ⇄ 004	3200K R = 156 G = 141 B = 5 W = 89
		005 ⇄ 006	4200K R = 156 G = 141 B = 14 W = 255
		007 ⇄ 008	5600K R = 156 G = 207 B = 54 W = 255
		009 ⇄ 010	8000K R = 130 G = 255 B = 96 W = 255
		011	Bleu R = 0 G = 0 B = 255 W = 0
		012 ⇄ 048	+ vert R = 0 G = 0–255 B = 255 W = 0
		049	Cyan R = 0 G = 255 B = 255 W = 0
		050 ⇄ 086	- bleu R = 0 G = 255 B = 255–0 W = 0
		087	Vert R = 0 G = 255 B = 0 W = 0
		088 ⇄ 124	+ rouge R = 0–255 G = 255 B = 0 W = 0
		125	Jaune R = 255 G = 255 B = 0 W = 0
		126 ⇄ 162	- vert R = 255 G = 255–0 B = 0 W = 0
		163	Rouge R = 255 G = 0 B = 0 W = 0
		164 ⇄ 200	+ bleu R = 255 G = 0 B = 0–255 W = 0
		201	Magenta R = 255 G = 0 B = 255 W = 0
		202 ⇄ 238	- rouge R = 255–0 G = 0 B = 255 W = 0
		239	Bleu R = 0 G = 0 B = 255 W = 0
		240 ⇄ 247	Changement de couleur, rapide à lent
248 ⇄ 255	Saut de couleur, rapide à lent		

Canal	Fonction	Valeur	Pourcentage/Paramétrage
10	Couleur du faisceau	000	Pas de fonction
		001 ⇔ 002	2700K R = 156 G = 118 B = 0 W = 63
		003 ⇔ 004	3200K R = 156 G = 141 B = 5 W = 89
		005 ⇔ 006	4200K R = 156 G = 141 B = 14 W = 255
		007 ⇔ 008	5600K R = 156 G = 207 B = 54 W = 255
		009 ⇔ 010	8000K R = 130 G = 255 B = 96 W = 255
		011	Bleu R = 0 G = 0 B = 255 W = 0
		012 ⇔ 048	+ vert R = 0 G = 0-255 B = 255 W = 0
		049	Cyan R = 0 G = 255 B = 255 W = 0
		050 ⇔ 086	- bleu R = 0 G = 255 B = 255-0 W = 0
		087	Vert R = 0 G = 255 B = 0 W = 0
		088 ⇔ 124	+ rouge R = 0-255 G = 255 B = 0 W = 0
		125	Jaune R = 255 G = 255 B = 0 W = 0
		126 ⇔ 162	- vert R = 255 G = 255-0 B = 0 W = 0
		163	Rouge R = 255 G = 0 B = 0 W = 0
		164 ⇔ 200	+ bleu R = 255 G = 0 B = 0-255 W = 0
		201	Magenta R = 255 G = 0 B = 255 W = 0
		202 ⇔ 238	- rouge R = 255-0 G = 0 B = 255 W = 0
		239	Bleu R = 0 G = 0 B = 255 W = 0
		240 ⇔ 247	Changement de couleur, rapide à lent
248 ⇔ 255	Saut de couleur, rapide à lent		
11	Gobo	000	Pas de fonction
		001 ⇔ 255	Gobos (indexé)
12	Macro LED / Programme Automatique	000 ⇔ 015	Pas de fonction
		016 ⇔ 135	Macros LED
		136 ⇔ 255	Programmes automatique
13	Vitesse pour Macro LED / Programme Automatique	000 ⇔ 127	Rapide à lent, sens horaire
		128	Attente
		129 ⇔ 255	Lent à rapide, dans le sens antihoraire
14	Décalage interne LED	000 ⇔ 255	Rapide à lent
15	Couleur de l'arrière plan	000	Pas de fonction
		001 ⇔ 002	2700K R = 156 G = 118 B = 0 W = 63
		003 ⇔ 004	3200K R = 156 G = 141 B = 5 W = 89
		005 ⇔ 006	4200K R = 156 G = 141 B = 14 W = 255
		007 ⇔ 008	5600K R = 156 G = 207 B = 54 W = 255
		009 ⇔ 010	8000K R = 130 G = 255 B = 96 W = 255
		011	Bleu R = 0 G = 0 B = 255 W = 0
		012 ⇔ 048	+ vert R = 0 G = 0-255 B = 255 W = 0
		049	Cyan R = 0 G = 255 B = 255 W = 0
		050 ⇔ 086	- bleu R = 0 G = 255 B = 255-0 W = 0
		087	Vert R = 0 G = 255 B = 0 W = 0
		088 ⇔ 124	+ rouge R = 0-255 G = 255 B = 0 W = 0
		125	Jaune R = 255 G = 255 B = 0 W = 0
		126 ⇔ 162	- vert R = 255 G = 255-0 B = 0 W = 0
		163	Rouge R = 255 G = 0 B = 0 W = 0
		164 ⇔ 200	+ bleu R = 255 G = 0 B = 0-255 W = 0
		201	Magenta R = 255 G = 0 B = 255 W = 0
		202 ⇔ 238	- rouge R = 255-0 G = 0 B = 255 W = 0
		239	Bleu R = 0 G = 0 B = 255 W = 0
		240 ⇔ 247	Changement de couleur, rapide à lent
248 ⇔ 255	Saut de couleur, rapide à lent		
16	Gradateur de l'arrière plan	000 ⇔ 255	0-100%
17	Gradateur fin de l'arrière plan	000 ⇔ 255	0-100%
18	Gradateur de l'anneau	000 ⇔ 255	0-100%
19	Gradateur fin de l'anneau	000 ⇔ 255	0-100%

Canal	Fonction	Valeur	Pourcentage/Paramétrage
20	Gradateur du faisceau	000 ⇄ 255	0–100%
21	Gradateur fin du faisceau	000 ⇄ 255	0–100%
22	Obturateur de l'anneau	000 ⇄ 019	Arrêt
		020 ⇄ 024	Marche
		025 ⇄ 069	Stroboscope, rapide à lent
		070 ⇄ 089	Stroboscope 100–0%, rapide à lent
		090 ⇄ 109	Stroboscope 0–100%, rapide à lent
		110 ⇄ 129	Stroboscope aléatoire, rapide à lent
		130 ⇄ 149	Stroboscope aléatoire 100–0%, rapide à lent
		150 ⇄ 169	Stroboscope aléatoire 0–100%, rapide à lent
		170 ⇄ 189	Stroboscope pulsation, rapide à lent
		190 ⇄ 209	Stroboscope pulsation aléatoire, rapide à lent
		210 ⇄ 229	Stroboscope 0–100–0%, rapide à lent
230 ⇄ 244	Stroboscope pulsation aléatoire, rapide à lent		
245 ⇄ 255	Marche		
23	Obturateur du faisceau	000 ⇄ 019	Arrêt
		020 ⇄ 024	Marche
		025 ⇄ 069	Stroboscope, rapide à lent
		070 ⇄ 089	Stroboscope 100–0%, rapide à lent
		090 ⇄ 109	Stroboscope 0–100%, rapide à lent
		110 ⇄ 129	Stroboscope aléatoire, rapide à lent
		130 ⇄ 149	Stroboscope aléatoire 100–0%, rapide à lent
		150 ⇄ 169	Stroboscope aléatoire 0–100%, rapide à lent
		170 ⇄ 189	Stroboscope pulsation, rapide à lent
		190 ⇄ 209	Stroboscope pulsation aléatoire, rapide à lent
		210 ⇄ 229	Stroboscope 0–100–0%, rapide à lent
230 ⇄ 244	Stroboscope pulsation aléatoire, rapide à lent		
245 ⇄ 255	Marche		
24	Zoom	000 ⇄ 255	Large à étroit
25	Contrôle	000 ⇄ 009	Pas de fonction
		010 ⇄ 014	Noir général pendant le pan/tilt
		015 ⇄ 019	Réservé pour utilisation future
		020 ⇄ 024	Mode de mélange de couleur RGBW (en ajout)
		025 ⇄ 029	Mode de mélange de couleur CMY (en soustraction)
		030 ⇄ 049	Réservé pour utilisation future
		050 ⇄ 054	Réinitialisation du pan
		055 ⇄ 059	Réinitialisation du tilt
		060 ⇄ 064	Réinitialisation zoom
		065 ⇄ 069	Réservé pour utilisation future
		070 ⇄ 074	Réinitialisation totale
		075 ⇄ 109	Réservé pour utilisation future
		110 ⇄ 114	Vitesse rapide de pan/tilt
		115 ⇄ 119	Vitesse lente de pan/tilt
		120 ⇄ 124	Mode de vitesse ventilateur lente
		125 ⇄ 129	Mode de vitesse ventilateur plein régime
		130 ⇄ 134	Mode de vitesse ventilateur automatique
135 ⇄ 139	Mode de vitesse de gradation rapide		
140 ⇄ 144	Mode de vitesse de gradation lente		
145 ⇄ 255	Réservé pour utilisation future		
26	Anneau rouge	000 ⇄ 255	0–100%
27	Anneau rouge fin	000 ⇄ 255	0–100%
28	Faisceau rouge	000 ⇄ 255	0–100%
29	Faisceau rouge fin	000 ⇄ 255	0–100%
30	Anneau vert	000 ⇄ 255	0–100%
31	Anneau vert fin	000 ⇄ 255	0–100%

Canal	Fonction	Valeur	Pourcentage/Paramétrage
32	Faisceau vert	000 ⇔ 255	0–100%
33	Faisceau vert fin	000 ⇔ 255	0–100%
34	Anneau bleu	000 ⇔ 255	0–100%
35	Anneau bleu fin	000 ⇔ 255	0–100%
36	Faisceau bleu	000 ⇔ 255	0–100%
37	Faisceau bleu fin	000 ⇔ 255	0–100%
38	Anneau blanc	000 ⇔ 255	0–100%
39	Anneau blanc fin	000 ⇔ 255	0–100%
40	Faisceau blanc	000 ⇔ 255	0–100%
41	Faisceau blanc fin	000 ⇔ 255	0–100%

“Dual Control”: Mode “Standard Movement” (30-canal)

Canal	Fonction	Valeur	Pourcentage/Paramétrage
1	Pan (balayage)	000 ⇔ 255	0–100%
2	Pan fin	000 ⇔ 255	0–100%
3	Tilt (basculement)	000 ⇔ 255	0–100%
4	Tilt fin	000 ⇔ 255	0–100%
5	Pan en continu	000	Pas de fonction
		001 ⇔ 127	Pan en continu, rapide à lent
		128	Pas de fonction
		129 ⇔ 255	Pan en continu inversé, lent à rapide
6	Tilt en continu	000	Pas de fonction
		001 ⇔ 127	Tilt en continu, rapide à lent
		128	Pas de fonction
		129 ⇔ 255	Tilt en continu inversé, lent à rapide
7	Vitesse Pan/Tilt	000 ⇔ 255	Rapide à lent
8	CTC	000	Pas de fonction
		001 ⇔ 255	Température de couleur, 2800–10000 K
9	Couleur de l'anneau	000	Pas de fonction
		001 ⇔ 002	2700K R = 156 G = 118 B = 0 W = 63
		003 ⇔ 004	3200K R = 156 G = 141 B = 5 W = 89
		005 ⇔ 006	4200K R = 156 G = 141 B = 14 W = 255
		007 ⇔ 008	5600K R = 156 G = 207 B = 54 W = 255
		009 ⇔ 010	8000K R = 130 G = 255 B = 96 W = 255
		011	Bleu R = 0 G = 0 B = 255 W = 0
		012 ⇔ 048	+ vert R = 0 G = 0–255 B = 255 W = 0
		049	Cyan R = 0 G = 255 B = 255 W = 0
		050 ⇔ 086	- bleu R = 0 G = 255 B = 255–0 W = 0
		087	Vert R = 0 G = 255 B = 0 W = 0
		088 ⇔ 124	+ rouge R = 0–255 G = 255 B = 0 W = 0
		125	Jaune R = 255 G = 255 B = 0 W = 0
		126 ⇔ 162	- vert R = 255 G = 255–0 B = 0 W = 0
		163	Rouge R = 255 G = 0 B = 0 W = 0
		164 ⇔ 200	+ bleu R = 255 G = 0 B = 0–255 W = 0
		201	Magenta R = 255 G = 0 B = 255 W = 0
		202 ⇔ 238	- rouge R = 255–0 G = 0 B = 255 W = 0
		239	Bleu R = 0 G = 0 B = 255 W = 0
		240 ⇔ 247	Changement de couleur, rapide à lent
248 ⇔ 255	Saut de couleur, rapide à lent		

Canal	Fonction	Valeur	Pourcentage/Paramétrage				
10	Couleur du faisceau	000	Pas de fonction				
		001 ⇄ 002	2700K	R = 156	G = 118	B = 0	W = 63
		003 ⇄ 004	3200K	R = 156	G = 141	B = 5	W = 89
		005 ⇄ 006	4200K	R = 156	G = 141	B = 14	W = 255
		007 ⇄ 008	5600K	R = 156	G = 207	B = 54	W = 255
		009 ⇄ 010	8000K	R = 130	G = 255	B = 96	W = 255
		011	Bleu	R = 0	G = 0	B = 255	W = 0
		012 ⇄ 048	+ vert	R = 0	G = 0–255	B = 255	W = 0
		049	Cyan	R = 0	G = 255	B = 255	W = 0
		050 ⇄ 086	- bleu	R = 0	G = 255	B = 255–0	W = 0
		087	Vert	R = 0	G = 255	B = 0	W = 0
		088 ⇄ 124	+ rouge	R = 0–255	G = 255	B = 0	W = 0
		125	Jaune	R = 255	G = 255	B = 0	W = 0
		126 ⇄ 162	- vert	R = 255	G = 255–0	B = 0	W = 0
		163	Rouge	R = 255	G = 0	B = 0	W = 0
		164 ⇄ 200	+ bleu	R = 255	G = 0	B = 0–255	W = 0
		201	Magenta	R = 255	G = 0	B = 255	W = 0
		202 ⇄ 238	- rouge	R = 255–0	G = 0	B = 255	W = 0
		239	Bleu	R = 0	G = 0	B = 255	W = 0
		240 ⇄ 247	Changement de couleur, rapide à lent				
248 ⇄ 255	Saut de couleur, rapide à lent						
11	Gobo	000	Pas de fonction				
		001 ⇄ 255	Gobos (indexé)				
12	Macro LED / Programme Automatique	000 ⇄ 015	Pas de fonction				
		016 ⇄ 135	Macros LED				
		136 ⇄ 255	Programmes automatique				
13	Vitesse pour Macro LED / Programme Automatique	000 ⇄ 127	Rapide à lent, sens horaire				
		128	Attente				
		129 ⇄ 255	Lent à rapide, dans le sens antihoraire				
14	Décalage interne LED	000 ⇄ 255	Rapide à lent				
15	Couleur de l'arrière plan	000	Pas de fonction				
		001 ⇄ 002	2700K	R = 156	G = 118	B = 0	W = 63
		003 ⇄ 004	3200K	R = 156	G = 141	B = 5	W = 89
		005 ⇄ 006	4200K	R = 156	G = 141	B = 14	W = 255
		007 ⇄ 008	5600K	R = 156	G = 207	B = 54	W = 255
		009 ⇄ 010	8000K	R = 130	G = 255	B = 96	W = 255
		011	Bleu	R = 0	G = 0	B = 255	W = 0
		012 ⇄ 048	+ vert	R = 0	G = 0–255	B = 255	W = 0
		049	Cyan	R = 0	G = 255	B = 255	W = 0
		050 ⇄ 086	- bleu	R = 0	G = 255	B = 255–0	W = 0
		087	Vert	R = 0	G = 255	B = 0	W = 0
		088 ⇄ 124	+ rouge	R = 0–255	G = 255	B = 0	W = 0
		125	Jaune	R = 255	G = 255	B = 0	W = 0
		126 ⇄ 162	- vert	R = 255	G = 255–0	B = 0	W = 0
		163	Rouge	R = 255	G = 0	B = 0	W = 0
		164 ⇄ 200	+ bleu	R = 255	G = 0	B = 0–255	W = 0
		201	Magenta	R = 255	G = 0	B = 255	W = 0
		202 ⇄ 238	- rouge	R = 255–0	G = 0	B = 255	W = 0
		239	Bleu	R = 0	G = 0	B = 255	W = 0
		240 ⇄ 247	Changement de couleur, rapide à lent				
248 ⇄ 255	Saut de couleur, rapide à lent						
16	Gradateur de l'arrière plan	000 ⇄ 255	0–100%				
17	Gradateur de l'anneau	000 ⇄ 255	0–100%				
18	Gradateur du faisceau	000 ⇄ 255	0–100%				

Canal	Fonction	Valeur	Pourcentage/Paramétrage
19	Obturbateur de l'anneau	000 ⇔ 019	Arrêt
		020 ⇔ 024	Marche
		025 ⇔ 069	Stroboscope, rapide à lent
		070 ⇔ 089	Stroboscope 100–0%, rapide à lent
		090 ⇔ 109	Stroboscope 0–100%, rapide à lent
		110 ⇔ 129	Stroboscope aléatoire, rapide à lent
		130 ⇔ 149	Stroboscope aléatoire 100–0%, rapide à lent
		150 ⇔ 169	Stroboscope aléatoire 0–100%, rapide à lent
		170 ⇔ 189	Stroboscope pulsation, rapide à lent
		190 ⇔ 209	Stroboscope pulsation aléatoire, rapide à lent
		210 ⇔ 229	Stroboscope 0–100–0%, rapide à lent
		230 ⇔ 244	Stroboscope pulsation aléatoire, rapide à lent
		245 ⇔ 255	Marche
20	Obturbateur du faisceau	000 ⇔ 019	Arrêt
		020 ⇔ 024	Marche
		025 ⇔ 069	Stroboscope, rapide à lent
		070 ⇔ 089	Stroboscope 100–0%, rapide à lent
		090 ⇔ 109	Stroboscope 0–100%, rapide à lent
		110 ⇔ 129	Stroboscope aléatoire, rapide à lent
		130 ⇔ 149	Stroboscope aléatoire 100–0%, rapide à lent
		150 ⇔ 169	Stroboscope aléatoire 0–100%, rapide à lent
		170 ⇔ 189	Stroboscope pulsation, rapide à lent
		190 ⇔ 209	Stroboscope pulsation aléatoire, rapide à lent
		210 ⇔ 229	Stroboscope 0–100–0%, rapide à lent
		230 ⇔ 244	Stroboscope pulsation aléatoire, rapide à lent
		245 ⇔ 255	Marche
21	Zoom	000 ⇔ 255	Large à étroit
22	Contrôle	000 ⇔ 009	Pas de fonction
		010 ⇔ 014	Noir général pendant le pan/tilt
		015 ⇔ 019	Réservé pour utilisation future
		020 ⇔ 024	Mode de mélange de couleur RGBW (en ajout)
		025 ⇔ 029	Mode de mélange de couleur CMY (en soustraction)
		030 ⇔ 049	Réservé pour utilisation future
		050 ⇔ 054	Réinitialisation du pan
		055 ⇔ 059	Réinitialisation du tilt
		060 ⇔ 064	Réinitialisation zoom
		065 ⇔ 069	Réservé pour utilisation future
		070 ⇔ 074	Réinitialisation totale
		075 ⇔ 109	Réservé pour utilisation future
		110 ⇔ 114	Vitesse rapide de pan/tilt
		115 ⇔ 119	Vitesse lente de pan/tilt
		120 ⇔ 124	Mode de vitesse ventilateur lente
		125 ⇔ 129	Mode de vitesse ventilateur plein régime
		130 ⇔ 134	Mode de vitesse ventilateur automatique
135 ⇔ 139	Mode de vitesse de gradation rapide		
140 ⇔ 144	Mode de vitesse de gradation lente		
145 ⇔ 255	Réservé pour utilisation future		
23	Anneau rouge	000 ⇔ 255	0–100%
24	Faisceau rouge	000 ⇔ 255	0–100%
25	Anneau vert	000 ⇔ 255	0–100%
26	Faisceau vert	000 ⇔ 255	0–100%
27	Anneau bleu	000 ⇔ 255	0–100%
28	Faisceau bleu	000 ⇔ 255	0–100%
29	Anneau blanc	000 ⇔ 255	0–100%
30	Faisceau blanc	000 ⇔ 255	0–100%

“Dual Control”: Mode “Basic Movement” (13-canal)

Canal	Fonction	Valeur	Pourcentage/Paramétrage
1	Pan (balayage)	000 ⇄ 255	0–100%
2	Pan fin	000 ⇄ 255	0–100%
3	Tilt (basculement)	000 ⇄ 255	0–100%
4	Tilt fin	000 ⇄ 255	0–100%
5	Pan en continu	000	Pas de fonction
		001 ⇄ 127	Pan en continu, rapide à lent
		128	Pas de fonction
		129 ⇄ 255	Pan en continu inversé, lent à rapide
6	Tilt en continu	000	Pas de fonction
		001 ⇄ 127	Tilt en continu, rapide à lent
		128	Pas de fonction
		129 ⇄ 255	Tilt en continu inversé, lent à rapide
7	Vitesse Pan/Tilt	000 ⇄ 255	Rapide à lent
8	Gradateur de l'anneau	000 ⇄ 255	0–100%
9	Gradateur du faisceau	000 ⇄ 255	0–100%
10	Obturbateur de l'anneau	000 ⇄ 019	Arrêt
		020 ⇄ 024	Marche
		025 ⇄ 069	Stroboscope, rapide à lent
		070 ⇄ 089	Stroboscope 100–0%, rapide à lent
		090 ⇄ 109	Stroboscope 0–100%, rapide à lent
		110 ⇄ 129	Stroboscope aléatoire, rapide à lent
		130 ⇄ 149	Stroboscope aléatoire 100–0%, rapide à lent
		150 ⇄ 169	Stroboscope aléatoire 0–100%, rapide à lent
		170 ⇄ 189	Stroboscope pulsation, rapide à lent
		190 ⇄ 209	Stroboscope pulsation aléatoire, rapide à lent
		210 ⇄ 229	Stroboscope 0–100–0%, rapide à lent
		230 ⇄ 244	Stroboscope pulsation aléatoire, rapide à lent
245 ⇄ 255	Marche		
11	Obturbateur du faisceau	000 ⇄ 019	Arrêt
		020 ⇄ 024	Marche
		025 ⇄ 069	Stroboscope, rapide à lent
		070 ⇄ 089	Stroboscope 100–0%, rapide à lent
		090 ⇄ 109	Stroboscope 0–100%, rapide à lent
		110 ⇄ 129	Stroboscope aléatoire, rapide à lent
		130 ⇄ 149	Stroboscope aléatoire 100–0%, rapide à lent
		150 ⇄ 169	Stroboscope aléatoire 0–100%, rapide à lent
		170 ⇄ 189	Stroboscope pulsation, rapide à lent
		190 ⇄ 209	Stroboscope pulsation aléatoire, rapide à lent
		210 ⇄ 229	Stroboscope 0–100–0%, rapide à lent
		230 ⇄ 244	Stroboscope pulsation aléatoire, rapide à lent
245 ⇄ 255	Marche		
12	Zoom	000 ⇄ 255	Large à étroit

Canal	Fonction	Valeur	Pourcentage/Paramétrage
13	Contrôle	000 ⇔ 009	Pas de fonction
		010 ⇔ 014	Noir général pendant le pan/tilt
		015 ⇔ 019	Réservé pour utilisation future
		020 ⇔ 024	Mode de mélange de couleur RGBW (en ajout)
		025 ⇔ 029	Mode de mélange de couleur CMY (en soustraction)
		030 ⇔ 049	Réservé pour utilisation future
		050 ⇔ 054	Réinitialisation du pan
		055 ⇔ 059	Réinitialisation du tilt
		060 ⇔ 064	Réinitialisation zoom
		065 ⇔ 069	Réservé pour utilisation future
		070 ⇔ 074	Réinitialisation totale
		075 ⇔ 109	Réservé pour utilisation future
		110 ⇔ 114	Vitesse rapide de pan/tilt
		115 ⇔ 119	Vitesse lente de pan/tilt
		120 ⇔ 124	Mode de vitesse ventilateur lente
		125 ⇔ 129	Mode de vitesse ventilateur plein régime
		130 ⇔ 134	Mode de vitesse ventilateur automatique
		135 ⇔ 139	Mode de vitesse de gradation rapide
		140 ⇔ 144	Mode de vitesse de gradation lente
		145 ⇔ 255	Réservé pour utilisation future

Valeurs “Dual Control” (Pixels)

“Dual Control”: Mode “Advanced Pixels” (80-canal)

Canal	Fonction	Valeur	Pourcentage/Paramétrage
1	Rouge 1	000 ⇄ 255	0–100%
2	Rouge fin 1	000 ⇄ 255	0–100%
3	Vert 1	000 ⇄ 255	0–100%
4	Vert fin 1	000 ⇄ 255	0–100%
5	Bleu 1	000 ⇄ 255	0–100%
6	Bleu fin 1	000 ⇄ 255	0–100%
7	Blanc 1	000 ⇄ 255	0–100%
8	Blanc fin 1	000 ⇄ 255	0–100%
9	Rouge 2	000 ⇄ 255	0–100%
10	Rouge fin 2	000 ⇄ 255	0–100%
11	Vert 2	000 ⇄ 255	0–100%
12	Vert fin 2	000 ⇄ 255	0–100%
13	Bleu 2	000 ⇄ 255	0–100%
14	Bleu fin 2	000 ⇄ 255	0–100%
15	Blanc 2	000 ⇄ 255	0–100%
16	Blanc fin 2	000 ⇄ 255	0–100%
17	Rouge 3	000 ⇄ 255	0–100%
18	Rouge fin 3	000 ⇄ 255	0–100%
19	Vert 3	000 ⇄ 255	0–100%
20	Vert fin 3	000 ⇄ 255	0–100%
21	Bleu 3	000 ⇄ 255	0–100%
22	Bleu fin 3	000 ⇄ 255	0–100%
23	Blanc 3	000 ⇄ 255	0–100%
24	Blanc fin 3	000 ⇄ 255	0–100%
25	Rouge 4	000 ⇄ 255	0–100%
26	Rouge fin 4	000 ⇄ 255	0–100%
27	Vert 4	000 ⇄ 255	0–100%
28	Vert fin 4	000 ⇄ 255	0–100%
29	Bleu 4	000 ⇄ 255	0–100%
30	Bleu fin 4	000 ⇄ 255	0–100%
31	Blanc 4	000 ⇄ 255	0–100%
32	Blanc fin 4	000 ⇄ 255	0–100%
33	Rouge 5	000 ⇄ 255	0–100%
34	Rouge fin 5	000 ⇄ 255	0–100%
35	Vert 5	000 ⇄ 255	0–100%
36	Vert fin 5	000 ⇄ 255	0–100%
37	Bleu 5	000 ⇄ 255	0–100%
38	Bleu fin 5	000 ⇄ 255	0–100%
39	Blanc 5	000 ⇄ 255	0–100%
40	Blanc fin 5	000 ⇄ 255	0–100%
41	Rouge 6	000 ⇄ 255	0–100%
42	Rouge fin 6	000 ⇄ 255	0–100%
43	Vert 6	000 ⇄ 255	0–100%
44	Vert fin 6	000 ⇄ 255	0–100%
45	Bleu 6	000 ⇄ 255	0–100%
46	Bleu fin 6	000 ⇄ 255	0–100%
47	Blanc 6	000 ⇄ 255	0–100%
48	Blanc fin 6	000 ⇄ 255	0–100%
49	Rouge 7	000 ⇄ 255	0–100%
50	Rouge fin 7	000 ⇄ 255	0–100%
51	Vert 7	000 ⇄ 255	0–100%
52	Vert fin 7	000 ⇄ 255	0–100%

Canal	Fonction	Valeur	Pourcentage/Paramétrage
53	Bleu 7	000 ⇔ 255	0-100%
54	Bleu fin 7	000 ⇔ 255	0-100%
55	Blanc 7	000 ⇔ 255	0-100%
56	Blanc fin 7	000 ⇔ 255	0-100%
57	Rouge 8	000 ⇔ 255	0-100%
58	Rouge fin 8	000 ⇔ 255	0-100%
59	Vert 8	000 ⇔ 255	0-100%
60	Vert fin 8	000 ⇔ 255	0-100%
61	Bleu 8	000 ⇔ 255	0-100%
62	Bleu fin 8	000 ⇔ 255	0-100%
63	Blanc 8	000 ⇔ 255	0-100%
64	Blanc fin 8	000 ⇔ 255	0-100%
65	Rouge 9	000 ⇔ 255	0-100%
66	Rouge fin 9	000 ⇔ 255	0-100%
67	Vert 9	000 ⇔ 255	0-100%
68	Vert fin 9	000 ⇔ 255	0-100%
69	Bleu 9	000 ⇔ 255	0-100%
70	Bleu fin 9	000 ⇔ 255	0-100%
71	Blanc 9	000 ⇔ 255	0-100%
72	Blanc fin 9	000 ⇔ 255	0-100%
73	Rouge 10	000 ⇔ 255	0-100%
74	Rouge fin 10	000 ⇔ 255	0-100%
75	Vert 10	000 ⇔ 255	0-100%
76	Vert fin 10	000 ⇔ 255	0-100%
77	Bleu 10	000 ⇔ 255	0-100%
78	Bleu fin 10	000 ⇔ 255	0-100%
79	Blanc 10	000 ⇔ 255	0-100%
80	Blanc fin 10	000 ⇔ 255	0-100%

“Dual Control”: Mode “Standard Pixels” (40-canal)

Canal	Fonction	Valeur	Pourcentage/Paramétrage
1	Rouge 1	000 ⇄ 255	0–100%
2	Vert 1	000 ⇄ 255	0–100%
3	Bleu 1	000 ⇄ 255	0–100%
4	Blanc 1	000 ⇄ 255	0–100%
5	Rouge 2	000 ⇄ 255	0–100%
6	Vert 2	000 ⇄ 255	0–100%
7	Bleu 2	000 ⇄ 255	0–100%
8	Blanc 2	000 ⇄ 255	0–100%
9	Rouge 3	000 ⇄ 255	0–100%
10	Vert3	000 ⇄ 255	0–100%
11	Bleu 3	000 ⇄ 255	0–100%
12	Blanc 3	000 ⇄ 255	0–100%
13	Rouge 4	000 ⇄ 255	0–100%
14	Vert 4	000 ⇄ 255	0–100%
15	Bleu 4	000 ⇄ 255	0–100%
16	Blanc 4	000 ⇄ 255	0–100%
17	Rouge 5	000 ⇄ 255	0–100%
18	Vert 5	000 ⇄ 255	0–100%
19	Bleu 5	000 ⇄ 255	0–100%
20	Blanc 5	000 ⇄ 255	0–100%
21	Rouge 6	000 ⇄ 255	0–100%
22	Vert 6	000 ⇄ 255	0–100%
23	Bleu 6	000 ⇄ 255	0–100%
24	Blanc 6	000 ⇄ 255	0–100%
25	Rouge 7	000 ⇄ 255	0–100%
26	Vert 7	000 ⇄ 255	0–100%
27	Bleu 7	000 ⇄ 255	0–100%
28	Blanc 7	000 ⇄ 255	0–100%
29	Rouge 8	000 ⇄ 255	0–100%
30	Vert 8	000 ⇄ 255	0–100%
31	Bleu 8	000 ⇄ 255	0–100%
32	Blanc 8	000 ⇄ 255	0–100%
33	Rouge 9	000 ⇄ 255	0–100%
34	Vert 9	000 ⇄ 255	0–100%
35	Bleu 9	000 ⇄ 255	0–100%
36	Blanc 9	000 ⇄ 255	0–100%
37	Rouge 10	000 ⇄ 255	0–100%
38	Vert10	000 ⇄ 255	0–100%
39	Bleu 10	000 ⇄ 255	0–100%
40	Blanc 10	000 ⇄ 255	0–100%

“Dual Control” : Mode “Basic Pixels” (30-canal)

Canal	Fonction	Valeur	Pourcentage/Paramétrage
1	Rouge 1	000 ⇔ 255	0–100%
2	Vert 1	000 ⇔ 255	0–100%
3	Bleu 1	000 ⇔ 255	0–100%
4	Rouge 2	000 ⇔ 255	0–100%
5	Vert 2	000 ⇔ 255	0–100%
6	Bleu 2	000 ⇔ 255	0–100%
7	Rouge 3	000 ⇔ 255	0–100%
8	Vert 3	000 ⇔ 255	0–100%
9	Bleu 3	000 ⇔ 255	0–100%
10	Rouge 4	000 ⇔ 255	0–100%
11	Vert 4	000 ⇔ 255	0–100%
12	Bleu 4	000 ⇔ 255	0–100%
13	Rouge 5	000 ⇔ 255	0–100%
14	Vert 5	000 ⇔ 255	0–100%
15	Bleu 5	000 ⇔ 255	0–100%
16	Rouge 6	000 ⇔ 255	0–100%
17	Vert 6	000 ⇔ 255	0–100%
18	Bleu 6	000 ⇔ 255	0–100%
19	Rouge 7	000 ⇔ 255	0–100%
20	Vert 7	000 ⇔ 255	0–100%
21	Bleu 7	000 ⇔ 255	0–100%
22	Rouge 8	000 ⇔ 255	0–100%
23	Vert 8	000 ⇔ 255	0–100%
24	Bleu 8	000 ⇔ 255	0–100%
25	Rouge 9	000 ⇔ 255	0–100%
26	Vert 9	000 ⇔ 255	0–100%
27	Bleu 9	000 ⇔ 255	0–100%
28	Rouge 10	000 ⇔ 255	0–100%
29	Vert 10	000 ⇔ 255	0–100%
30	Bleu 10	000 ⇔ 255	0–100%

Over deze handleiding

De Maverick MK Pyxis Beknopte Handleiding (BH) bevat basisinformatie over het product, zoals aansluiting, montage, menu-opties en DMX-waarden. Download de gebruikershandleiding op www.chauvetprofessional.com voor meer informatie.

Disclaimer

De informatie en specificaties in deze BH kunnen zonder voorafgaande kennisgeving worden gewijzigd.

Veiligheidsinstructies

Deze veiligheidsinstructies bevatten belangrijke informatie over de installatie, het gebruik en het onderhoud.

- Open het product NIET. Het bevat geen te onderhouden onderdelen.
- KIJK NIET in de lichtbron wanneer het apparaat is ingeschakeld.
- Om onnodige slijtage te elimineren en zijn levensduur te verlengen, gedurende perioden wanneer het product niet wordt gebruikt, moet u het product van de stroom afsluiten door een aardlekschakelaar om te zetten of door het te ontkoppelen.
- LET OP: Bij het verplaatsen van het product uit extreme omgevingen, (bijv. koude vrachtwagen naar warme, vochtige balzaal) kan er condensvorming optreden op de elektronica van het product. Om storingen te vermijden moet het product volledig kunnen acclimatiseren aan de omgeving voordat het op stroom wordt aangesloten.
- LET OP: De behuizing van dit product kan heet zijn wanneer het in bedrijf is.
- Monteer dit product op een plek met voldoende ventilatie, ten minste 50 cm van de aangrenzende oppervlakken.
- Plaats geen ontvlambaar materiaal binnen 50 cm van dit product als het in gebruik is of is aangesloten op het stopcontact.
- GEBRUIK een veiligheidskabel bij het boven het hoofd plaatsen van dit product.
- Gebruik dit product NIET buitenshuis of op een locatie waar stof, grote warmte, water of vochtigheid het kunnen beïnvloeden. (IP20)
- Gebruik dit product NIET als de behuizing, lenzen of kabels beschadigd lijken.
- Sluit dit product NIET aan op een dimmer of een regelweerstand.
- Sluit dit product UITSLUITEND op een geaard en beveiligd stroomcircuit.
- Gebruik UITSLUITEND de montagebeugels of de hendels om dit product te dragen. Draag het product niet aan de bewegende kop.
- Stop in het geval van ernstige operationele problemen onmiddellijk met het gebruik.
- De maximale omgevingstemperatuur bedraagt 45 °C. Gebruik dit product niet bij hogere temperaturen.

Contact

Van buiten de VS, Verenigd Koninkrijk, Ierland, Mexico of België kunt u contact opnemen met de distributeur of om ondersteuning vragen dan wel het product retourneren. Ga naar www.chauvetprofessional.com voor contactinformatie.

Wat is inbegrepen

- Maverick MK Pyxis
- Seetronic Powerkon stroomsnoer
- 2 Omegabeugels met bevestigingsapparatuur
- Garantiekaart
- Beknopte handleiding

AC-stroom

Dit product heeft een voeding met automatisch bereik die werkt met een ingangsspanning van 100–240 VAC, 50/60 Hz.

AC-stekker

Aansluiting	Snoer (VS)	Snoer (Europa)	Schroefkleur
AC Live	Zwart	Bruin	Geel/messing
AC Neutraal	Wit	Blauw	Zilver
AC Aarde	Groen/geel	Groen/geel	Groen



Om onnodige slijtage te elimineren en zijn levensduur te verlengen, gedurende perioden wanneer het product niet wordt gebruikt, moet u het product van de stroom afsluiten door een aardlekschakelaar om te zetten of door het te ontkoppelen.

Power Linking

U kunt tot 6 Maverick MK Pyxis-producten koppelen bij 120 V, 11 producten bij 208 V of 12 producten bij 230 V. Dit aantal niet overschrijden. Power Linking-snoeren kunnen apart aangeschaft worden.

Vervangen van de zekering

1. Ontkoppel dit product van de stroom.
2. Gebruik een platkopschroevendraaier en schroef de kap van de zekeringhouder los van de behuizing.
3. Verwijder de doorgebrande zekering en vervang het met een werkende zekering van hetzelfde type en met dezelfde waarde.
4. Schroef de kap van de zekeringhouder terug en steek de stekker er weer in.

Signaalverbindingen

U kunt de Maverick MK Pyxis aansluiten op een controller of controllersoftware met behulp van een DMX-aansluiting, een ethernetverbinding of beide. Bij het gebruik van andere Art-Net™, sACN, of Kling-Net-compatible producten met de Maverick MK Pyxis, kunt u deze individueel aansturen op een enkel netwerk. Zie de gebruikershandleiding voor meer informatie over het verbinden en configureren van het product voor deze signalen.

Aansturingspersoonlijkheden

De Maverick MK Pyxis gebruikt DMX, Art-Net™, sACN en Kling-Net voor zijn aansturingspersoonlijkheden:

Single Control	Dual Control Movement	Dual Control Pixels
Basic (26-kanaal)	Basic (13-kanaal)	Basic (30-kanaal)
Standard (66-kanaal)	Standard (30-kanaal)	Standard (40-kanaal)
Advanced (113-kanaal)	Advanced (41-kanaal)	Advanced (80-kanaal)
Tour (131-kanaal)		
Gebruikt DMX, Art-Net™, sACN, of WDMX	Gebruikt DMX, Art-Net™, of sACN	Gebruikt DMX, Art-Net™, sACN, of Kling-Net



In "Dual Control"-modus kunnen het "Movement"-protocol en het "Pixels"-protocol niet hetzelfde zijn.

DMX-aansluiting

De Maverick MK Pyxis kan met een DMX-controller werken met een 3-pins of 5-pins DMX-gegevensverbinding. Op www.chauvetprofessional.com is een DMX-basishandleiding verkrijgbaar.

Art-Net™-aansluiting

Art-Net™ is een ethernet-protocol dat gebruikmaakt van TCP/IP dat over een groot netwerk grote hoeveelheden DMX512-gegevens verzendt met behulp van een etherCON RJ45-verbinding. Een Art-Net™-protocoldocument is te verkrijgen op www.chauvetprofessional.com. Chauvet Professional raadt het gebruik van unicast-modus voor het beste resultaat.

Art-Net™ ontworpen en auteursrecht door Artistic Licence Holdings Ltd.

sACN-aansluiting

Streaming-ACN staat ook wel bekend als ANSI E1.31 en is een ethernetprotocol dat de laag- en opmaakstructuur gebruikt van Architecture for Control Networks om DMX512-gegevens te transporteren over IP of een ander ACN compatibel netwerk. ACN wordt onderhouden door de Professional Lighting and Sound Association (PLASA).

Kling-Net-aansluiting

Kling-Net is een netwerkprotocol dat de automatische configuratie van displayapparaten met een etherCON RJ45 Ethernet-verbinding mogelijk maakt. Raadpleeg de ArKaos softwarehandleiding voor uitgebreide instructies over het programmeren van dit product.



Voor een goede werking heeft de ArKaos Kling-Net een gigabit (1000 Mbps) Ethernet-kaart en een netwerkrouter nodig.



ArKaos Kling-Net loopt alleen in "Standard Pixels" of "Basic Pixels"-modi.

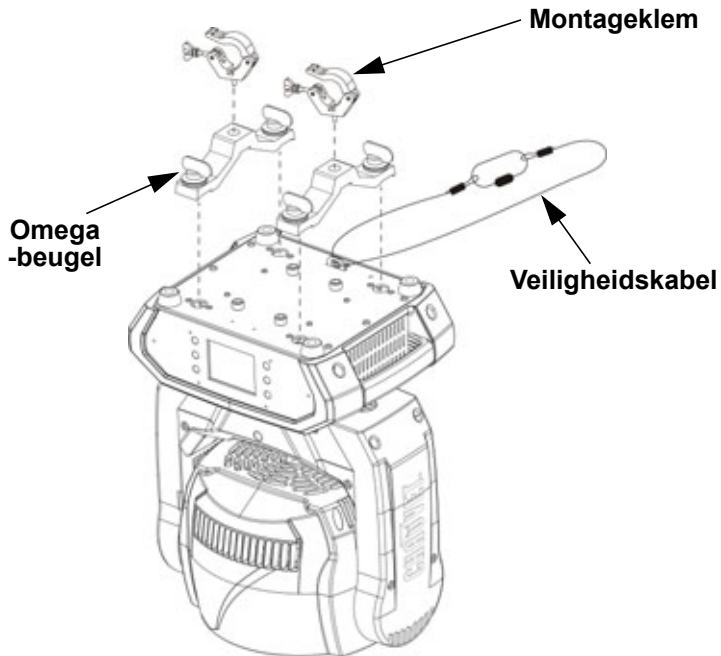
RDM (apparaatbeheer op afstand)

Remote Device Management of RDM (apparaatbeheer op afstand) is een standaard die het voor DMX-apparaten mogelijk maakt om in twee richtingen te communiceren over bestaande DMX-kabels. De Maverick MK Pyxis ondersteunt het RDM-protocol dat zorgt feedback toelaat bij de bewaking van Temperatuur en wijzigingen aan de menu opties. Download de gebruikershandleiding op www.chauvetprofessional.com voor meer informatie.

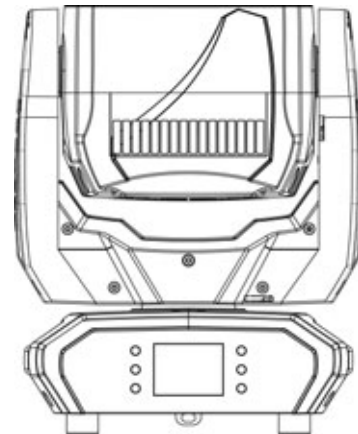
Montage

Lees alvorens dit product te monteren alle [Veiligheidsinstructies](#). Gebruik ten minste twee montagepunten per product. Controleer of de montageklem het gewicht van het product kan dragen. Ga voor onze Chauvet-serie montageklemmen naar <http://trusst.com/products>.

Montagediagram



Montage-boven het hoofd



Plaatsing op de vloer

Aanraakschermbedieningspaneel

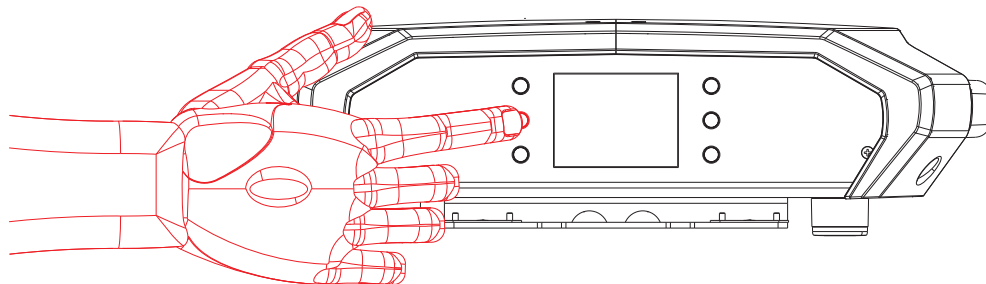
De Maverick MK Pyxis heeft een aanraakscherm en 6 bedieningsknoppen. Via de opties **Setup** in het menu kan het aanraakscherm worden vergrendeld en gekalibreerd.

Beschrijving bedieningspaneel

Toets	Functie
< ↑ >	Navigeert omhoog via het menu of verhoogt de numerieke waarde wanneer in een functie
< ≡ >	Sluit het huidige menu of functie af
< ↓ >	Navigeert omlaag via het menu of verlaagt de numerieke waarde wanneer in een functie
< ← >	Navigeert naar links door de menulijst
< ↶ >	Activeert het huidige getoonde menu of plaatst de huidige geselecteerde waarde in de geselecteerde functie
< → >	Navigeert naar rechts door de menulijst

Display op batterijstroom

Ingedrukt houden totdat het menuscherm verschijnt (ongeveer 15 sec).



Menumap

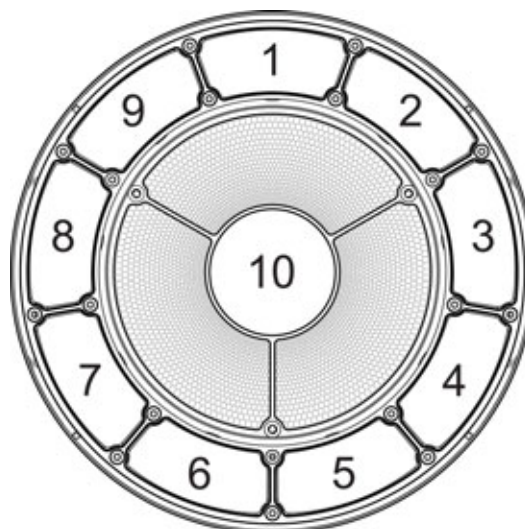
Programmeerniveaus				Beschrijving	
Control Settings				Control Settings belangrijkste niveau	
Single Control	DMX	Personality	Basic	Stelt de DMX persoonlijkheid in (Zie Aansturingspersoonlijkheden)	
			Standard		
			Advanced		
			Tour		
		Start Address	0-512	Stelt het DMX startadres in	
	ArtNet	Personality	Basic	Stelt de Art-Net™ persoonlijkheid in (Zie Aansturingspersoonlijkheden)	
			Standard		
			Advanced		
			Tour		
			Start Address	0-512	Stelt het Art-Net™ startadres in
		Universe	0-255	Stelt de Art-Net™ universe in	
	sACN	Personality	Basic	Stelt de sACN persoonlijkheid in (Zie Aansturingspersoonlijkheden)	
			Standard		
			Advanced		
			Tour		
			Start Address	0-512	Stelt het sACN startadres in
	Universe	0-255	Stelt de sACN universe in		
WDMX	Personality	Basic	Stelt de WDMX persoonlijkheid in (Zie Aansturingspersoonlijkheden)		
		Standard			
		Advanced			
		Tour			
	Start Address	0-512	Stelt het WDMX startadres in		
Control Settings	Movement	DMX	Basic	Stelt de DMX persoonlijkheid in (Zie Aansturingspersoonlijkheden)	
			Standard		
			Advanced		
					Tour
			Start Address	0-512	Stelt het DMX startadres in
		ArtNet	Personality	Basic	Stelt de Art-Net™ persoonlijkheid in (Zie Aansturingspersoonlijkheden)
				Standard	
				Advanced	
				Tour	
			Start Address	0-512	Stelt het Art-Net™ startadres in
			Universe	0-255	Stelt de Art-Net™ universe in
		sACN	Personality	Basic	Stelt de sACN persoonlijkheid in (Zie Aansturingspersoonlijkheden)
	Standard				
	Advanced				
			Tour		
		Start Address	0-512	Stelt het sACN startadres in	
	Universe	0-255	Stelt de sACN universe in		
Dual Control	Pixels	DMX	Basic	Stelt de DMX persoonlijkheid in (Zie Aansturingspersoonlijkheden)	
			Standard		
			Advanced		
					Tour
			Start Address	0-512	Stelt het DMX startadres in
		ArtNet	Personality	Basic	Stelt de Art-Net™ persoonlijkheid in (Zie Aansturingspersoonlijkheden)
	Standard				
	Advanced				
			Tour		
		Start Address	0-512	Stelt het Art-Net™ startadres in	
		Universe	0-255	Stelt de Art-Net™ universe in	
	sACN	Personality	Basic	Stelt de sACN persoonlijkheid in (Zie Aansturingspersoonlijkheden)	
Standard					
Advanced					
		Tour			
	Start Address	0-512	Stelt het sACN startadres in		
	Universe	0-255	Stelt de sACN universe in		
	KlingNet	Personality	Basic	Stelt de Kling-Net persoonlijkheid in (Zie Aansturingspersoonlijkheden)	
		Standard			

Programmeerniveaus			Beschrijving	
Test Mode			Test Mode belangrijkste niveau	
Test Mode	Auto Test		Test alle functies automatisch	
	Manual Test	Pan	000-255	Test en regel alle instellingen handmatig via het bedieningspaneel
		Tilt		
		P/T Speed		
		Red		
		Green		
		Blue		
		White		
		CTC		
		Color		
		Pattern		
		LED Macro		
		LED Ma. Speed		
		LED Ma. Fade		
		Background		
		Background Dim.		
		Dimmer		
Shutter				
Function				
Zoom				
Setup			Setup belangrijkste niveau	
Network Settings	IP Mode	Manual	Stel het IP-adres handmatig in	
		DHCP	Netwerk stelt het IP-adres in	
		Static	Product stelt het IP-adres in	
	IP	-----	Stelt het IP-adres in handmatige modus in	
	SubMask	-----	Stelt het Subnet Mask in handmatige modus in	
Pan Reverse	NO		Normale zwenkbediening	
	YES		Omgekeerde zwenkbediening	
Tilt Reverse	NO		Normale kantelbediening	
	YES		Omgekeerde kantelbediening	
Zoom Reverse	NO		Normale zoom	
	YES		Omgekeerde zoom	
Screen Reverse	NO		Display in normale oriëntatie	
	YES		Display in ondersteboven oriëntatie	
	AUTO		Automatische oriëntatie van het display	
Pan Angle	540		540° zwenkhoekbereik	
	360		360° zwenkhoekbereik	
	180		180° zwenkhoekbereik	
Tilt Angle	270		270° kantelhoekbereik	
	180		180° kantelhoekbereik	
	90		90° kantelhoekbereik	
BL. O. P/T Move	NO		Niet verduisteren tijdens kantelen/zwenken	
	YES		Verduisteren tijdens kantelen/zwenken	
Calibration	NO		Huidige instellingen behouden	
	YES		Aanraakscherm kalibreren	
Touchscreen Lock	NO		Beeldscherm reageert op aanrakingen	
	YES		Beeldscherm reageert niet op aanrakingen	
Lock Screen	NO		Lock knoppen en touch screen	
	YES		Toegangscode: 0920	
Swap XY	NO		Niet kantelen en zwenken verwisselen	
	YES		Zwenken regelt kantelen, en omgekeerd	

Programmeerniveaus			Beschrijving
Setup (vervolg)			Setup belangrijkste niveau (vervolg)
WDMX Reset		NO	Niet WDMX resetten
		YES	WDMX resetten
Backlight Timer		30S	Beeldscherm schakelt uit na 30 seconden
		1M	Beeldscherm schakelt uit na 1 minuut
		5M	Beeldscherm schakelt uit na 5 minuten
		ON	Beeldscherm blijft aan
Loss of Data		Hold	Houdt laatst ontvangen signaal vast
		Close	Verduistert de armatuur
Fans		Auto	Ventilatorsnelheid in overeenstemming met de producttemperatuur
		Full	Ventilatorsnelheid op hoog ingesteld
		ECO	Stille modus
C Mixing Mode		RGBW	Additief kleurenmengen (0–100%)
		CMY	Subtractief kleurenmengen (100%–0)
Dimmer Curve		Linear	Stelt de dimcurve in
		Square	
		I Squa	
		SCurve	
Dimmer Speed		Smooth	Wijzigt de dimsnelheid
		Fast	
PWM Option		600Hz	Selecteert de PWM-uitgangsfrequentie
		1200Hz	
		2000Hz	
		4000Hz	
		6000Hz	
Color Balance	Red	000–255	Stelt maximum waarde van rode LED in
	Green		Stelt maximum waarde van groene LED in
	Blue		Stelt maximum waarde van blauwe LED in
	White		Stelt maximum waarde van witte LED in
Preset Select		PRESET A	Opgenomen vooringestelde menuopties
		PRESET B	
		PRESET C	
Preset Sync		NO	Zorgt ervoor dat opgenomen vooringestelde menuopties worden overgezet op andere Maverick MK Pyxis in de DMX-keten
		YES	
Reset Function	Pan/Tilt	NO	Reset individuele functies of alle functies vanaf het opstarten
		YES	
	Zoom	NO	
		YES	
All	NO		
	YES		
Factory Settings		NO	Reset naar standaard fabrieksinstellingen
		YES	
Sys Info			Sys Info belangrijkste niveau
Sys Info	Ver	V_	Toont de firmwareversie
	Running Mode	---	Toont de huidige bedrijfsmodus
	Address	---	Toont het huidige startadres
	Temperature	---	Toont de huidige temperatuur van het product in °C
	Fixture Hours	-----	Toont het aantal uren dat het product is ingeschakeld
	Ip	-----	Toont het huidige IP-adres
	SubMask	-----	Toont het huidige Subnet Mask
	MAC	-----	Toont het huidige MAC-adres
Fan Information	Head Fan1 Speed	----	Toont snelheid van kopventilators in toeren per minuut
	Head Fan2 Speed	----	

Programmeerniveaus		Beschrijving
Sys Info (vervolg)		Sys Info belangrijkste niveau (vervolg)
Error Information	No Error!*	Toont fouten of No Error!
Sys Info (vervolg) Channel Information	Frequency	---
	Pan	
	Pan Fine	
	Tilt	
	Tilt Fine	
	Pan Rotation	
	Tilt Rotation	
	P/T Speed	
	CTC	
	Color (1-2)	
	Pattern	
	LED Macro	
	LED Ma. Speed	
	LED Ma. Fine	
	Background	
	Background Dim.	
	Bg. Dim. Fine	
	Dimmer (A-B)	
	Dimmer Fine (A-B)	
	Shutter (1-2)	
	Zoom	
	Function	
	Red (alle, 1-10)	
	Red Fine (alle, 1-10)	
	Green (alle, 1-10)	
	Green fine (alle, 1-10)	
	Blue (alle, 1-10)	
	Blue Fine (alle, 1-10)	
	White (alle, 1-10)	
	White Fine (alle, 1-10)	
Dimmer (1-10)		
Dimmer Fine (1-10)		
		Toont alle huidige waarden van ingangssignalen, 000-255

Zones voor pixelregeling



“Single Control”-waarden
“Single Control”: “Tour”-modus (131-kanaal)

Kanaal	Functie	Waarde	Percentage/Instelling
1	Zwenken	000 ⇔ 255	0–100%
2	Fijnezwenken	000 ⇔ 255	0–100%
3	Kantelen	000 ⇔ 255	0–100%
4	Fijnekantelen	000 ⇔ 255	0–100%
5	Continue zwenken	000	Geen functie
		001 ⇔ 127	Continue zwenken, snel tot langzaam
		128	Geen functie
		129 ⇔ 255	Omgekeerde continue zwenken, langzaam tot snel
6	Continue kantelen	000	Geen functie
		001 ⇔ 127	Continue kantelen, snel tot langzaam
		128	Geen functie
		129 ⇔ 255	Omgekeerde continue kantelen, langzaam tot snel
7	Zwenken/Kantelensnelheid	000 ⇔ 255	Snel tot langzaam
8	CTC	000	Geen functie
		001 ⇔ 255	Kleurtemperatuur, 2800–10000 K
9	Ring kleur	000	Geen functie
		001 ⇔ 002	2700K R = 156 G = 118 B = 0 W = 63
		003 ⇔ 004	3200K R = 156 G = 141 B = 5 W = 89
		005 ⇔ 006	4200K R = 156 G = 141 B = 14 W = 255
		007 ⇔ 008	5600K R = 156 G = 207 B = 54 W = 255
		009 ⇔ 010	8000K R = 130 G = 255 B = 96 W = 255
		011	Blauw R = 0 G = 0 B = 255 W = 0
		012 ⇔ 048	+ groen R = 0 G = 0–255 B = 255 W = 0
		049	Cyaan R = 0 G = 255 B = 255 W = 0
		050 ⇔ 086	- blauw R = 0 G = 255 B = 255–0 W = 0
		087	Groen R = 0 G = 255 B = 0 W = 0
		088 ⇔ 124	+ rood R = 0–255 G = 255 B = 0 W = 0
		125	Geel R = 255 G = 255 B = 0 W = 0
		126 ⇔ 162	- groen R = 255 G = 255–0 B = 0 W = 0
		163	Rood R = 255 G = 0 B = 0 W = 0
		164 ⇔ 200	+ blauw R = 255 G = 0 B = 0–255 W = 0
		201	Magenta R = 255 G = 0 B = 255 W = 0
		202 ⇔ 238	- rood R = 255–0 G = 0 B = 255 W = 0
		239	Blauw R = 0 G = 0 B = 255 W = 0
		240 ⇔ 247	Kleurverandering, snel tot langzaam
248 ⇔ 255	Kleursprong, snel tot langzaam		

Kanaal	Functie	Waarde	Percentage/Instelling				
10	Straalingskleur	000	Geen functie				
		001 ⇄ 002	2700K	R = 156	G = 118	B = 0	W = 63
		003 ⇄ 004	3200K	R = 156	G = 141	B = 5	W = 89
		005 ⇄ 006	4200K	R = 156	G = 141	B = 14	W = 255
		007 ⇄ 008	5600K	R = 156	G = 207	B = 54	W = 255
		009 ⇄ 010	8000K	R = 130	G = 255	B = 96	W = 255
		011	Blauw	R = 0	G = 0	B = 255	W = 0
		012 ⇄ 048	+ groen	R = 0	G = 0–255	B = 255	W = 0
		049	Cyaan	R = 0	G = 255	B = 255	W = 0
		050 ⇄ 086	- blauw	R = 0	G = 255	B = 255–0	W = 0
		087	Groen	R = 0	G = 255	B = 0	W = 0
		088 ⇄ 124	+ rood	R = 0–255	G = 255	B = 0	W = 0
		125	Geel	R = 255	G = 255	B = 0	W = 0
		126 ⇄ 162	- groen	R = 255	G = 255–0	B = 0	W = 0
		163	Rood	R = 255	G = 0	B = 0	W = 0
		164 ⇄ 200	+ blauw	R = 255	G = 0	B = 0–255	W = 0
		201	Magenta	R = 255	G = 0	B = 255	W = 0
		202 ⇄ 238	- rood	R = 255–0	G = 0	B = 255	W = 0
		239	Blauw	R = 0	G = 0	B = 255	W = 0
		240 ⇄ 247	Kleurverandering, snel tot langzaam				
248 ⇄ 255	Kleursprong, snel tot langzaam						
11	Gobo	000	Geen functie				
		001 ⇄ 255	Gobos (geïndexeerd)				
12	LED Macro / Automatisch programma	000 ⇄ 015	Geen functie				
		016 ⇄ 135	LED macro's				
		136 ⇄ 255	Automatische programma's				
13	LED Macro / Automatisch programmasnelheid	000 ⇄ 127	Kleurwijziging met de klok mee, snel tot langzaam				
		128	Bevriezen				
		129 ⇄ 255	Kleurwijziging tegen de klok in, langzaam tot snel				
14	LED ingebouwde vertraging	000 ⇄ 255	Snel tot langzaam				
15	Achtergrondkleur	000	Geen functie				
		001 ⇄ 002	2700K	R = 156	G = 118	B = 0	W = 63
		003 ⇄ 004	3200K	R = 156	G = 141	B = 5	W = 89
		005 ⇄ 006	4200K	R = 156	G = 141	B = 14	W = 255
		007 ⇄ 008	5600K	R = 156	G = 207	B = 54	W = 255
		009 ⇄ 010	8000K	R = 130	G = 255	B = 96	W = 255
		011	Blauw	R = 0	G = 0	B = 255	W = 0
		012 ⇄ 048	+ groen	R = 0	G = 0–255	B = 255	W = 0
		049	Cyaan	R = 0	G = 255	B = 255	W = 0
		050 ⇄ 086	- blauw	R = 0	G = 255	B = 255–0	W = 0
		087	Groen	R = 0	G = 255	B = 0	W = 0
		088 ⇄ 124	+ rood	R = 0–255	G = 255	B = 0	W = 0
		125	Geel	R = 255	G = 255	B = 0	W = 0
		126 ⇄ 162	- groen	R = 255	G = 255–0	B = 0	W = 0
		163	Rood	R = 255	G = 0	B = 0	W = 0
		164 ⇄ 200	+ blauw	R = 255	G = 0	B = 0–255	W = 0
		201	Magenta	R = 255	G = 0	B = 255	W = 0
		202 ⇄ 238	- rood	R = 255–0	G = 0	B = 255	W = 0
		239	Blauw	R = 0	G = 0	B = 255	W = 0
		240 ⇄ 247	Kleurverandering, snel tot langzaam				
248 ⇄ 255	Kleursprong, snel tot langzaam						
16	Achtergronddimmer	000 ⇄ 255	0–100%				
17	Fijneachtergronddimmer	000 ⇄ 255	0–100%				
18	Hoofddimmer	000 ⇄ 255	0–100%				
19	Fijnehoofddimmer	000 ⇄ 255	0–100%				

Kanaal	Functie	Waarde	Percentage/Instelling
20	Ringsluiter	000 ⇔ 019	Uit
		020 ⇔ 024	Aan
		025 ⇔ 069	Stroboscoop, snel tot langzaam
		070 ⇔ 089	Stroboscoop 100–0%, snel tot langzaam
		090 ⇔ 109	Stroboscoop 0–100%, snel tot langzaam
		110 ⇔ 129	Willekeurigestroboscoop, snel tot langzaam
		130 ⇔ 149	Willekeurigestroboscoop 100–0%, snel tot langzaam
		150 ⇔ 169	Willekeurigestroboscoop 0–100%, snel tot langzaam
		170 ⇔ 189	Pulsstroboscoop, snel tot langzaam
		190 ⇔ 209	Willekeurigepulsstroboscoop, snel tot langzaam
		210 ⇔ 229	Stroboscoop 0–100–0%, snel tot langzaam
		230 ⇔ 244	Willekeurigepulsstroboscoop, snel tot langzaam
		245 ⇔ 255	Aan
21	Straalingsluiter	000 ⇔ 019	Uit
		020 ⇔ 024	Aan
		025 ⇔ 069	Stroboscoop, snel tot langzaam
		070 ⇔ 089	Stroboscoop 100–0%, snel tot langzaam
		090 ⇔ 109	Stroboscoop 0–100%, snel tot langzaam
		110 ⇔ 129	Willekeurigestroboscoop, snel tot langzaam
		130 ⇔ 149	Willekeurigestroboscoop 100–0%, snel tot langzaam
		150 ⇔ 169	Willekeurigestroboscoop 0–100%, snel tot langzaam
		170 ⇔ 189	Pulsstroboscoop, snel tot langzaam
		190 ⇔ 209	Willekeurigepulsstroboscoop, snel tot langzaam
210 ⇔ 229	Stroboscoop 0–100–0%, snel tot langzaam		
230 ⇔ 244	Willekeurigepulsstroboscoop, snel tot langzaam		
245 ⇔ 255	Aan		
22	Zoom	000 ⇔ 255	Breed tot nauw
23	Regeling	000 ⇔ 009	Geen functie
		010 ⇔ 014	Zwenk-/kantelverduistering
		015 ⇔ 019	Gereserveerd voor toekomstig gebruik
		020 ⇔ 024	RGBW-kleurenmengmodus (additief)
		025 ⇔ 029	CMY-kleurenmengmodus (subtractief)
		030 ⇔ 049	Gereserveerd voor toekomstig gebruik
		050 ⇔ 054	Zwenk-reset
		055 ⇔ 059	Kantel-reset
		060 ⇔ 064	Zoom-reset
		065 ⇔ 069	Gereserveerd voor toekomstig gebruik
		070 ⇔ 074	Alles-reset
		075 ⇔ 109	Gereserveerd voor toekomstig gebruik
		110 ⇔ 114	Zwenk-/kantelsnelheid snel
		115 ⇔ 119	Zwenk-/kantelsnelheid langzaam
		120 ⇔ 124	Ventilatormodus langzaam
		125 ⇔ 129	Ventilatormodus volledig
		130 ⇔ 134	Ventilatormodus auto
135 ⇔ 139	Dimmodus snel		
140 ⇔ 144	Dimmodus langzaam		
145 ⇔ 255	Gereserveerd voor toekomstig gebruik		
24	Hoofdrood	000 ⇔ 255	0–100%
25	Fijnehoofdrood	000 ⇔ 255	0–100%
26	Hoofdgroen	000 ⇔ 255	0–100%
27	Fijnehoofdgroen	000 ⇔ 255	0–100%
28	Hoofdblauw	000 ⇔ 255	0–100%
29	Fijnehoofdblauw	000 ⇔ 255	0–100%
30	Hoofdwit	000 ⇔ 255	0–100%
31	Fijnehoofdwit	000 ⇔ 255	0–100%

Kanaal	Functie	Waarde	Percentage/Instelling
32	Dimmer 1	000 ⇄ 255	0–100%
33	Fijnedimmer 1	000 ⇄ 255	0–100%
34	Rood 1	000 ⇄ 255	0–100%
35	Fijnerood 1	000 ⇄ 255	0–100%
36	Groen 1	000 ⇄ 255	0–100%
37	Fijnegroen 1	000 ⇄ 255	0–100%
38	Blauw 1	000 ⇄ 255	0–100%
39	Fijneblauw 1	000 ⇄ 255	0–100%
40	Wit 1	000 ⇄ 255	0–100%
41	Fijnewit 1	000 ⇄ 255	0–100%
42	Dimmer 2	000 ⇄ 255	0–100%
43	Fijnedimmer 2	000 ⇄ 255	0–100%
44	Rood 2	000 ⇄ 255	0–100%
45	Fijnerood 2	000 ⇄ 255	0–100%
46	Groen 2	000 ⇄ 255	0–100%
47	Fijnegroen 2	000 ⇄ 255	0–100%
48	Blauw 2	000 ⇄ 255	0–100%
49	Fijneblauw 2	000 ⇄ 255	0–100%
50	Wit 2	000 ⇄ 255	0–100%
51	Fijnewit 2	000 ⇄ 255	0–100%
52	Dimmer 3	000 ⇄ 255	0–100%
53	Fijnedimmer 3	000 ⇄ 255	0–100%
54	Rood 3	000 ⇄ 255	0–100%
55	Fijnerood 3	000 ⇄ 255	0–100%
56	Groen 3	000 ⇄ 255	0–100%
57	Fijnegroen 3	000 ⇄ 255	0–100%
58	Blauw 3	000 ⇄ 255	0–100%
59	Fijneblauw 3	000 ⇄ 255	0–100%
60	Wit 3	000 ⇄ 255	0–100%
61	Fijnewit 3	000 ⇄ 255	0–100%
62	Dimmer 4	000 ⇄ 255	0–100%
63	Fijnedimmer 4	000 ⇄ 255	0–100%
64	Rood 4	000 ⇄ 255	0–100%
65	Fijnerood 4	000 ⇄ 255	0–100%
66	Groen 4	000 ⇄ 255	0–100%
67	Fijnegroen 4	000 ⇄ 255	0–100%
68	Blauw 4	000 ⇄ 255	0–100%
69	Fijneblauw 4	000 ⇄ 255	0–100%
70	Wit 4	000 ⇄ 255	0–100%
71	Fijnewit 4	000 ⇄ 255	0–100%
72	Dimmer 5	000 ⇄ 255	0–100%
73	Fijnedimmer 5	000 ⇄ 255	0–100%
74	Rood 5	000 ⇄ 255	0–100%
75	Fijnerood 5	000 ⇄ 255	0–100%
76	Groen 5	000 ⇄ 255	0–100%
77	Fijnegroen 5	000 ⇄ 255	0–100%
78	Blauw 5	000 ⇄ 255	0–100%
79	Fijneblauw 5	000 ⇄ 255	0–100%
80	Wit 5	000 ⇄ 255	0–100%
81	Fijnewit 5	000 ⇄ 255	0–100%
82	Dimmer 6	000 ⇄ 255	0–100%
83	Fijnedimmer 6	000 ⇄ 255	0–100%
84	Rood 6	000 ⇄ 255	0–100%
85	Fijnerood 6	000 ⇄ 255	0–100%

Kanaal	Functie	Waarde	Percentage/Instelling
86	Groen 6	000 ⇔ 255	0-100%
87	Fijnegroen 6	000 ⇔ 255	0-100%
88	Blauw 6	000 ⇔ 255	0-100%
89	Fijneblauw 6	000 ⇔ 255	0-100%
90	Wit 6	000 ⇔ 255	0-100%
91	Fijnewit 6	000 ⇔ 255	0-100%
92	Dimmer 7	000 ⇔ 255	0-100%
93	Fijnedimmer 7	000 ⇔ 255	0-100%
94	Rood 7	000 ⇔ 255	0-100%
95	Fijnerood 7	000 ⇔ 255	0-100%
96	Groen 7	000 ⇔ 255	0-100%
97	Fijnegroen 7	000 ⇔ 255	0-100%
98	Blauw 7	000 ⇔ 255	0-100%
99	Fijneblauw 7	000 ⇔ 255	0-100%
100	Wit 7	000 ⇔ 255	0-100%
101	Fijnewit 7	000 ⇔ 255	0-100%
102	Dimmer 8	000 ⇔ 255	0-100%
103	Fijnedimmer 8	000 ⇔ 255	0-100%
104	Rood 8	000 ⇔ 255	0-100%
105	Fijnerood 8	000 ⇔ 255	0-100%
106	Groen 8	000 ⇔ 255	0-100%
107	Fijnegroen 8	000 ⇔ 255	0-100%
108	Blauw 8	000 ⇔ 255	0-100%
109	Fijneblauw 8	000 ⇔ 255	0-100%
110	Wit 8	000 ⇔ 255	0-100%
111	Fijnewit 8	000 ⇔ 255	0-100%
112	Dimmer 9	000 ⇔ 255	0-100%
113	Fijnedimmer 9	000 ⇔ 255	0-100%
114	Rood 9	000 ⇔ 255	0-100%
115	Fijnerood 9	000 ⇔ 255	0-100%
116	Groen 9	000 ⇔ 255	0-100%
117	Fijnegroen 9	000 ⇔ 255	0-100%
118	Blauw 9	000 ⇔ 255	0-100%
119	Fijneblauw 9	000 ⇔ 255	0-100%
120	Wit 9	000 ⇔ 255	0-100%
121	Fijnewit 9	000 ⇔ 255	0-100%
122	Dimmer 10	000 ⇔ 255	0-100%
123	Fijnedimmer 10	000 ⇔ 255	0-100%
124	Rood 10	000 ⇔ 255	0-100%
125	Fijnerood 10	000 ⇔ 255	0-100%
126	Groen 10	000 ⇔ 255	0-100%
127	Fijnegroen 10	000 ⇔ 255	0-100%
128	Blauw 10	000 ⇔ 255	0-100%
129	Fijneblauw 10	000 ⇔ 255	0-100%
130	Wit 10	000 ⇔ 255	0-100%
131	Fijnewit 10	000 ⇔ 255	0-100%

“Single Control”: “Advanced”-modus (113-kanaal)

Kanaal	Functie	Waarde	Percentage/Instelling				
1	Zwenken	000 ⇔ 255	0–100%				
2	Fijnezwenken	000 ⇔ 255	0–100%				
3	Kantelen	000 ⇔ 255	0–100%				
4	Fijnekantelen	000 ⇔ 255	0–100%				
5	Continue zwenken	000	Geen functie				
		001 ⇔ 127	Continue zwenken, snel tot langzaam				
		128	Geen functie				
		129 ⇔ 255	Omgekeerde continue zwenken, langzaam tot snel				
6	Continue kantelen	000	Geen functie				
		001 ⇔ 127	Continue kantelen, snel tot langzaam				
		128	Geen functie				
		129 ⇔ 255	Omgekeerde continue kantelen, langzaam tot snel				
7	Zwenken/Kantelensnelheid	000 ⇔ 255	Snel tot langzaam				
8	CTC	000	Geen functie				
		001 ⇔ 255	Kleurtemperatuur, 2800–10000 K				
9	Ring kleur	000	Geen functie				
		001 ⇔ 002	2700K	R = 156	G = 118	B = 0	W = 63
		003 ⇔ 004	3200K	R = 156	G = 141	B = 5	W = 89
		005 ⇔ 006	4200K	R = 156	G = 141	B = 14	W = 255
		007 ⇔ 008	5600K	R = 156	G = 207	B = 54	W = 255
		009 ⇔ 010	8000K	R = 130	G = 255	B = 96	W = 255
		011	Blauw	R = 0	G = 0	B = 255	W = 0
		012 ⇔ 048	+ groen	R = 0	G = 0–255	B = 255	W = 0
		049	Cyaan	R = 0	G = 255	B = 255	W = 0
		050 ⇔ 086	- blauw	R = 0	G = 255	B = 255–0	W = 0
		087	Groen	R = 0	G = 255	B = 0	W = 0
		088 ⇔ 124	+ rood	R = 0–255	G = 255	B = 0	W = 0
		125	Geel	R = 255	G = 255	B = 0	W = 0
		126 ⇔ 162	- groen	R = 255	G = 255–0	B = 0	W = 0
		163	Rood	R = 255	G = 0	B = 0	W = 0
		164 ⇔ 200	+ blauw	R = 255	G = 0	B = 0–255	W = 0
		201	Magenta	R = 255	G = 0	B = 255	W = 0
		202 ⇔ 238	- rood	R = 255–0	G = 0	B = 255	W = 0
		239	Blauw	R = 0	G = 0	B = 255	W = 0
		240 ⇔ 247	Kleurverandering, snel tot langzaam				
248 ⇔ 255	Kleursprong, snel tot langzaam						

Kanaal	Functie	Waarde	Percentage/Instelling				
10	Straalingskleur	000	Geen functie				
		001 ⇔ 002	2700K	R = 156	G = 118	B = 0	W = 63
		003 ⇔ 004	3200K	R = 156	G = 141	B = 5	W = 89
		005 ⇔ 006	4200K	R = 156	G = 141	B = 14	W = 255
		007 ⇔ 008	5600K	R = 156	G = 207	B = 54	W = 255
		009 ⇔ 010	8000K	R = 130	G = 255	B = 96	W = 255
		011	Blauw	R = 0	G = 0	B = 255	W = 0
		012 ⇔ 048	+ groen	R = 0	G = 0-255	B = 255	W = 0
		049	Cyaan	R = 0	G = 255	B = 255	W = 0
		050 ⇔ 086	- blauw	R = 0	G = 255	B = 255-0	W = 0
		087	Groen	R = 0	G = 255	B = 0	W = 0
		088 ⇔ 124	+ rood	R = 0-255	G = 255	B = 0	W = 0
		125	Geel	R = 255	G = 255	B = 0	W = 0
		126 ⇔ 162	- groen	R = 255	G = 255-0	B = 0	W = 0
		163	Rood	R = 255	G = 0	B = 0	W = 0
		164 ⇔ 200	+ blauw	R = 255	G = 0	B = 0-255	W = 0
		201	Magenta	R = 255	G = 0	B = 255	W = 0
		202 ⇔ 238	- rood	R = 255-0	G = 0	B = 255	W = 0
		239	Blauw	R = 0	G = 0	B = 255	W = 0
		240 ⇔ 247	Kleurverandering, snel tot langzaam				
248 ⇔ 255	Kleursprong, snel tot langzaam						
11	Gobo	000	Geen functie				
		001 ⇔ 255	Gobos (geïndexeerd)				
12	LED Macro / Automatisch programma	000 ⇔ 015	Geen functie				
		016 ⇔ 135	LED macro's				
		136 ⇔ 255	Automatische programma's				
13	LED Macro / Automatisch programmasnelheid	000 ⇔ 127	Kleurwijziging met de klok mee, snel tot langzaam				
		128	Bevriezen				
		129 ⇔ 255	Kleurwijziging tegen de klok in, langzaam tot snel				
14	LED ingebouwde vertraging	000 ⇔ 255	Snel tot langzaam				
15	Achtergrondkleur	000	Geen functie				
		001 ⇔ 002	2700K	R = 156	G = 118	B = 0	W = 63
		003 ⇔ 004	3200K	R = 156	G = 141	B = 5	W = 89
		005 ⇔ 006	4200K	R = 156	G = 141	B = 14	W = 255
		007 ⇔ 008	5600K	R = 156	G = 207	B = 54	W = 255
		009 ⇔ 010	8000K	R = 130	G = 255	B = 96	W = 255
		011	Blauw	R = 0	G = 0	B = 255	W = 0
		012 ⇔ 048	+ groen	R = 0	G = 0-255	B = 255	W = 0
		049	Cyaan	R = 0	G = 255	B = 255	W = 0
		050 ⇔ 086	- blauw	R = 0	G = 255	B = 255-0	W = 0
		087	Groen	R = 0	G = 255	B = 0	W = 0
		088 ⇔ 124	+ rood	R = 0-255	G = 255	B = 0	W = 0
		125	Geel	R = 255	G = 255	B = 0	W = 0
		126 ⇔ 162	- groen	R = 255	G = 255-0	B = 0	W = 0
		163	Rood	R = 255	G = 0	B = 0	W = 0
		164 ⇔ 200	+ blauw	R = 255	G = 0	B = 0-255	W = 0
		201	Magenta	R = 255	G = 0	B = 255	W = 0
		202 ⇔ 238	- rood	R = 255-0	G = 0	B = 255	W = 0
		239	Blauw	R = 0	G = 0	B = 255	W = 0
		240 ⇔ 247	Kleurverandering, snel tot langzaam				
248 ⇔ 255	Kleursprong, snel tot langzaam						
16	Achtergronddimmer	000 ⇔ 255	0-100%				
17	Fijneachtergronddimmer	000 ⇔ 255	0-100%				
18	Ringdimmer	000 ⇔ 255	0-100%				
19	Fijneringdimmer	000 ⇔ 255	0-100%				

Kanaal	Functie	Waarde	Percentage/Instelling
20	Straalingsdimmer	000 ⇄ 255	0–100%
21	Fijnestraalingsdimmer	000 ⇄ 255	0–100%
22	Ringsluiters	000 ⇄ 019	Uit
		020 ⇄ 024	Aan
		025 ⇄ 069	Stroboscoop, snel tot langzaam
		070 ⇄ 089	Stroboscoop 100–0%, snel tot langzaam
		090 ⇄ 109	Stroboscoop 0–100%, snel tot langzaam
		110 ⇄ 129	Willekeurigestroboscoop, snel tot langzaam
		130 ⇄ 149	Willekeurigestroboscoop 100–0%, snel tot langzaam
		150 ⇄ 169	Willekeurigestroboscoop 0–100%, snel tot langzaam
		170 ⇄ 189	Pulsstroboscoop, snel tot langzaam
		190 ⇄ 209	Willekeurigepulsstroboscoop, snel tot langzaam
		210 ⇄ 229	Stroboscoop 0–100–0%, snel tot langzaam
		230 ⇄ 244	Willekeurigepulsstroboscoop, snel tot langzaam
245 ⇄ 255	Aan		
23	Straalingsluiters	000 ⇄ 019	Uit
		020 ⇄ 024	Aan
		025 ⇄ 069	Stroboscoop, snel tot langzaam
		070 ⇄ 089	Stroboscoop 100–0%, snel tot langzaam
		090 ⇄ 109	Stroboscoop 0–100%, snel tot langzaam
		110 ⇄ 129	Willekeurigestroboscoop, snel tot langzaam
		130 ⇄ 149	Willekeurigestroboscoop 100–0%, snel tot langzaam
		150 ⇄ 169	Willekeurigestroboscoop 0–100%, snel tot langzaam
		170 ⇄ 189	Pulsstroboscoop, snel tot langzaam
		190 ⇄ 209	Willekeurigepulsstroboscoop, snel tot langzaam
		210 ⇄ 229	Stroboscoop 0–100–0%, snel tot langzaam
		230 ⇄ 244	Willekeurigepulsstroboscoop, snel tot langzaam
245 ⇄ 255	Aan		
24	Zoom	000 ⇄ 255	Breed tot nauw
25	Regeling	000 ⇄ 009	Geen functie
		010 ⇄ 014	Zwenk-/kantelverduistering
		015 ⇄ 019	Gereserveerd voor toekomstig gebruik
		020 ⇄ 024	RGBW-kleurenmengmodus (additief)
		025 ⇄ 029	CMY-kleurenmengmodus (subtractief)
		030 ⇄ 049	Gereserveerd voor toekomstig gebruik
		050 ⇄ 054	Zwenk-reset
		055 ⇄ 059	Kantel-reset
		060 ⇄ 064	Zoom-reset
		065 ⇄ 069	Gereserveerd voor toekomstig gebruik
		070 ⇄ 074	Alles-reset
		075 ⇄ 109	Gereserveerd voor toekomstig gebruik
		110 ⇄ 114	Zwenk-/kantelsnelheid snel
		115 ⇄ 119	Zwenk-/kantelsnelheid langzaam
		120 ⇄ 124	Ventilatormodus langzaam
		125 ⇄ 129	Ventilatormodus volledig
		130 ⇄ 134	Ventilatormodus auto
		135 ⇄ 139	Dimmodus snel
140 ⇄ 144	Dimmodus langzaam		
145 ⇄ 255	Gereserveerd voor toekomstig gebruik		
26	Hoofdroid	000 ⇄ 255	0–100%
27	Fijnehoofdroid	000 ⇄ 255	0–100%
28	Hoofdgroen	000 ⇄ 255	0–100%
29	Fijnehoofdgroen	000 ⇄ 255	0–100%
30	Hoofdbleu	000 ⇄ 255	0–100%
31	Fijnehoofdbleu	000 ⇄ 255	0–100%

Kanaal	Functie	Waarde	Percentage/Instelling
32	Hoofdwit	000 ⇔ 255	0–100%
33	Fijnehoofdwit	000 ⇔ 255	0–100%
34	Rood 1	000 ⇔ 255	0–100%
35	Fijnerood 1	000 ⇔ 255	0–100%
36	Groen 1	000 ⇔ 255	0–100%
37	Fijnegroen 1	000 ⇔ 255	0–100%
38	Blauwe 1	000 ⇔ 255	0–100%
39	Fijneblauw 1	000 ⇔ 255	0–100%
40	Wit 1	000 ⇔ 255	0–100%
41	Fijnewit 1	000 ⇔ 255	0–100%
42	Rood 2	000 ⇔ 255	0–100%
43	Fijnerood 2	000 ⇔ 255	0–100%
44	Groen 2	000 ⇔ 255	0–100%
45	Fijnegroen 2	000 ⇔ 255	0–100%
46	Blauwe 2	000 ⇔ 255	0–100%
47	Fijneblauw 2	000 ⇔ 255	0–100%
48	Wit 2	000 ⇔ 255	0–100%
49	Fijnewit 2	000 ⇔ 255	0–100%
50	Rood 3	000 ⇔ 255	0–100%
51	Fijnerood 3	000 ⇔ 255	0–100%
52	Groen 3	000 ⇔ 255	0–100%
53	Fijnegroen 3	000 ⇔ 255	0–100%
54	Blauwe 3	000 ⇔ 255	0–100%
55	Fijneblauw 3	000 ⇔ 255	0–100%
56	Wit 3	000 ⇔ 255	0–100%
57	Fijnewit 3	000 ⇔ 255	0–100%
58	Rood 4	000 ⇔ 255	0–100%
59	Fijnerood 4	000 ⇔ 255	0–100%
60	Groen 4	000 ⇔ 255	0–100%
61	Fijnegroen 4	000 ⇔ 255	0–100%
62	Blauwe 4	000 ⇔ 255	0–100%
63	Fijneblauw 4	000 ⇔ 255	0–100%
64	Wit 4	000 ⇔ 255	0–100%
65	Fijnewit 4	000 ⇔ 255	0–100%
66	Rood 5	000 ⇔ 255	0–100%
67	Fijnerood 5	000 ⇔ 255	0–100%
68	Groen 5	000 ⇔ 255	0–100%
69	Fijnegroen 5	000 ⇔ 255	0–100%
70	Blauwe 5	000 ⇔ 255	0–100%
71	Fijneblauw 5	000 ⇔ 255	0–100%
72	Wit 5	000 ⇔ 255	0–100%
73	Fijnewit 5	000 ⇔ 255	0–100%
74	Rood 6	000 ⇔ 255	0–100%
75	Fijnerood 6	000 ⇔ 255	0–100%
76	Groen 6	000 ⇔ 255	0–100%
77	Fijnegroen 6	000 ⇔ 255	0–100%
78	Blauwe 6	000 ⇔ 255	0–100%
79	Fijneblauw 6	000 ⇔ 255	0–100%
80	Wit 6	000 ⇔ 255	0–100%
81	Fijnewit 6	000 ⇔ 255	0–100%
82	Rood 7	000 ⇔ 255	0–100%
83	Fijnerood 7	000 ⇔ 255	0–100%
84	Groen 7	000 ⇔ 255	0–100%
85	Fijnegroen 7	000 ⇔ 255	0–100%

Kanaal	Functie	Waarde	Percentage/Instelling
86	Blauwe 7	000 ⇄ 255	0–100%
87	Fijneblauw 7	000 ⇄ 255	0–100%
88	Wit 7	000 ⇄ 255	0–100%
89	Fijnewit 7	000 ⇄ 255	0–100%
90	Rood 8	000 ⇄ 255	0–100%
91	Fijnerood 8	000 ⇄ 255	0–100%
92	Groen 8	000 ⇄ 255	0–100%
93	Fijnegroen 8	000 ⇄ 255	0–100%
94	Blauwe 8	000 ⇄ 255	0–100%
95	Fijneblauw 8	000 ⇄ 255	0–100%
96	Wit 8	000 ⇄ 255	0–100%
97	Fijnewit 8	000 ⇄ 255	0–100%
98	Rood 9	000 ⇄ 255	0–100%
99	Fijnerood 9	000 ⇄ 255	0–100%
100	Groen 9	000 ⇄ 255	0–100%
101	Fijnegroen 9	000 ⇄ 255	0–100%
102	Blauwe 9	000 ⇄ 255	0–100%
103	Fijneblauw 9	000 ⇄ 255	0–100%
104	Wit 9	000 ⇄ 255	0–100%
105	Fijnewit 9	000 ⇄ 255	0–100%
106	Rood 10	000 ⇄ 255	0–100%
107	Fijnerood 10	000 ⇄ 255	0–100%
108	Groen 10	000 ⇄ 255	0–100%
109	Fijnegroen 10	000 ⇄ 255	0–100%
110	Blauwe 10	000 ⇄ 255	0–100%
111	Fijneblauw 10	000 ⇄ 255	0–100%
112	Wit 10	000 ⇄ 255	0–100%
113	Fijnewit 10	000 ⇄ 255	0–100%

“Single Control”: “Standard”-modus (66-kanaal)

Kanaal	Functie	Waarde	Percentage/Instelling
1	Zwenken	000 ⇔ 255	0–100%
2	Fijnezwenken	000 ⇔ 255	0–100%
3	Kantelen	000 ⇔ 255	0–100%
4	Fijnekantelen	000 ⇔ 255	0–100%
5	Continue zwenken	000	Geen functie
		001 ⇔ 127	Continue zwenken, snel tot langzaam
		128	Geen functie
		129 ⇔ 255	Omgekeerde continue zwenken, langzaam tot snel
6	Continue kantelen	000	Geen functie
		001 ⇔ 127	Continue kantelen, snel tot langzaam
		128	Geen functie
		129 ⇔ 255	Omgekeerde continue kantelen, langzaam tot snel
7	Zwenken/Kantelensnelheid	000 ⇔ 255	Snel tot langzaam
8	CTC	000	Geen functie
		001 ⇔ 255	Kleurtemperatuur, 2800–10000 K
9	Ring kleur	000	Geen functie
		001 ⇔ 002	2700K R = 156 G = 118 B = 0 W = 63
		003 ⇔ 004	3200K R = 156 G = 141 B = 5 W = 89
		005 ⇔ 006	4200K R = 156 G = 141 B = 14 W = 255
		007 ⇔ 008	5600K R = 156 G = 207 B = 54 W = 255
		009 ⇔ 010	8000K R = 130 G = 255 B = 96 W = 255
		011	Blauw R = 0 G = 0 B = 255 W = 0
		012 ⇔ 048	+ groen R = 0 G = 0–255 B = 255 W = 0
		049	Cyaan R = 0 G = 255 B = 255 W = 0
		050 ⇔ 086	- blauw R = 0 G = 255 B = 255–0 W = 0
		087	Groen R = 0 G = 255 B = 0 W = 0
		088 ⇔ 124	+ rood R = 0–255 G = 255 B = 0 W = 0
		125	Geel R = 255 G = 255 B = 0 W = 0
		126 ⇔ 162	- groen R = 255 G = 255–0 B = 0 W = 0
		163	Rood R = 255 G = 0 B = 0 W = 0
		164 ⇔ 200	+ blauw R = 255 G = 0 B = 0–255 W = 0
		201	Magenta R = 255 G = 0 B = 255 W = 0
		202 ⇔ 238	- rood R = 255–0 G = 0 B = 255 W = 0
		239	Blauw R = 0 G = 0 B = 255 W = 0
		240 ⇔ 247	Kleurverandering, snel tot langzaam
248 ⇔ 255	Kleursprong, snel tot langzaam		

Kanaal	Functie	Waarde	Percentage/Instelling				
10	Straalingskleur	000	Geen functie				
		001 ⇄ 002	2700K	R = 156	G = 118	B = 0	W = 63
		003 ⇄ 004	3200K	R = 156	G = 141	B = 5	W = 89
		005 ⇄ 006	4200K	R = 156	G = 141	B = 14	W = 255
		007 ⇄ 008	5600K	R = 156	G = 207	B = 54	W = 255
		009 ⇄ 010	8000K	R = 130	G = 255	B = 96	W = 255
		011	Blauw	R = 0	G = 0	B = 255	W = 0
		012 ⇄ 048	+ groen	R = 0	G = 0–255	B = 255	W = 0
		049	Cyaan	R = 0	G = 255	B = 255	W = 0
		050 ⇄ 086	- blauw	R = 0	G = 255	B = 255–0	W = 0
		087	Groen	R = 0	G = 255	B = 0	W = 0
		088 ⇄ 124	+ rood	R = 0–255	G = 255	B = 0	W = 0
		125	Geel	R = 255	G = 255	B = 0	W = 0
		126 ⇄ 162	- groen	R = 255	G = 255–0	B = 0	W = 0
		163	Rood	R = 255	G = 0	B = 0	W = 0
		164 ⇄ 200	+ blauw	R = 255	G = 0	B = 0–255	W = 0
		201	Magenta	R = 255	G = 0	B = 255	W = 0
		202 ⇄ 238	- rood	R = 255–0	G = 0	B = 255	W = 0
		239	Blauw	R = 0	G = 0	B = 255	W = 0
		240 ⇄ 247	Kleurverandering, snel tot langzaam				
248 ⇄ 255	Kleursprong, snel tot langzaam						
11	Gobo	000	Geen functie				
		001 ⇄ 255	Gobos (geïndexeerd)				
12	LED Macro / Automatisch programma	000 ⇄ 015	Geen functie				
		016 ⇄ 135	LED macro's				
		136 ⇄ 255	Automatische programma's				
13	LED Macro / Automatisch programmasnelheid	000 ⇄ 127	Kleurwijziging met de klok mee, snel tot langzaam				
		128	Bevriest				
		129 ⇄ 255	Kleurwijziging tegen de klok in, langzaam tot snel				
14	LED ingebouwde vertraging	000 ⇄ 255	Snel tot langzaam				
15	Achtergrondkleur	000	Geen functie				
		001 ⇄ 002	2700K	R = 156	G = 118	B = 0	W = 63
		003 ⇄ 004	3200K	R = 156	G = 141	B = 5	W = 89
		005 ⇄ 006	4200K	R = 156	G = 141	B = 14	W = 255
		007 ⇄ 008	5600K	R = 156	G = 207	B = 54	W = 255
		009 ⇄ 010	8000K	R = 130	G = 255	B = 96	W = 255
		011	Blauw	R = 0	G = 0	B = 255	W = 0
		012 ⇄ 048	+ groen	R = 0	G = 0–255	B = 255	W = 0
		049	Cyaan	R = 0	G = 255	B = 255	W = 0
		050 ⇄ 086	- blauw	R = 0	G = 255	B = 255–0	W = 0
		087	Groen	R = 0	G = 255	B = 0	W = 0
		088 ⇄ 124	+ rood	R = 0–255	G = 255	B = 0	W = 0
		125	Geel	R = 255	G = 255	B = 0	W = 0
		126 ⇄ 162	- groen	R = 255	G = 255–0	B = 0	W = 0
		163	Rood	R = 255	G = 0	B = 0	W = 0
		164 ⇄ 200	+ blauw	R = 255	G = 0	B = 0–255	W = 0
		201	Magenta	R = 255	G = 0	B = 255	W = 0
		202 ⇄ 238	- rood	R = 255–0	G = 0	B = 255	W = 0
		239	Blauw	R = 0	G = 0	B = 255	W = 0
		240 ⇄ 247	Kleurverandering, snel tot langzaam				
248 ⇄ 255	Kleursprong, snel tot langzaam						
16	Achtergronddimmer	000 ⇄ 255	0–100%				
17	Ringdimmer	000 ⇄ 255	0–100%				
18	Straalingsdimmer	000 ⇄ 255	0–100%				

Kanaal	Functie	Waarde	Percentage/Instelling
19	Ringsluiter	000 ⇔ 019	Uit
		020 ⇔ 024	Aan
		025 ⇔ 069	Stroboscoop, snel tot langzaam
		070 ⇔ 089	Stroboscoop 100–0%, snel tot langzaam
		090 ⇔ 109	Stroboscoop 0–100%, snel tot langzaam
		110 ⇔ 129	Willekeurigestroboscoop, snel tot langzaam
		130 ⇔ 149	Willekeurigestroboscoop 100–0%, snel tot langzaam
		150 ⇔ 169	Willekeurigestroboscoop 0–100%, snel tot langzaam
		170 ⇔ 189	Pulsstroboscoop, snel tot langzaam
		190 ⇔ 209	Willekeurigepulsstroboscoop, snel tot langzaam
		210 ⇔ 229	Stroboscoop 0–100–0%, snel tot langzaam
		230 ⇔ 244	Willekeurigepulsstroboscoop, snel tot langzaam
		245 ⇔ 255	Aan
20	Straalingsluiter	000 ⇔ 019	Uit
		020 ⇔ 024	Aan
		025 ⇔ 069	Stroboscoop, snel tot langzaam
		070 ⇔ 089	Stroboscoop 100–0%, snel tot langzaam
		090 ⇔ 109	Stroboscoop 0–100%, snel tot langzaam
		110 ⇔ 129	Willekeurigestroboscoop, snel tot langzaam
		130 ⇔ 149	Willekeurigestroboscoop 100–0%, snel tot langzaam
		150 ⇔ 169	Willekeurigestroboscoop 0–100%, snel tot langzaam
		170 ⇔ 189	Pulsstroboscoop, snel tot langzaam
		190 ⇔ 209	Willekeurigepulsstroboscoop, snel tot langzaam
210 ⇔ 229	Stroboscoop 0–100–0%, snel tot langzaam		
230 ⇔ 244	Willekeurigepulsstroboscoop, snel tot langzaam		
245 ⇔ 255	Aan		
21	Zoom	000 ⇔ 255	Breed tot nauw
22	Regeling	000 ⇔ 009	Geen functie
		010 ⇔ 014	Zwenk-/kantelverduistering
		015 ⇔ 019	Gereserveerd voor toekomstig gebruik
		020 ⇔ 024	RGBW-kleurenmengmodus (additief)
		025 ⇔ 029	CMY-kleurenmengmodus (subtractief)
		030 ⇔ 049	Gereserveerd voor toekomstig gebruik
		050 ⇔ 054	Zwenk-reset
		055 ⇔ 059	Kantel-reset
		060 ⇔ 064	Zoom-reset
		065 ⇔ 069	Gereserveerd voor toekomstig gebruik
		070 ⇔ 074	Alles-reset
		075 ⇔ 109	Gereserveerd voor toekomstig gebruik
		110 ⇔ 114	Zwenk-/kantelsnelheid snel
		115 ⇔ 119	Zwenk-/kantelsnelheid langzaam
		120 ⇔ 124	Ventilatormodus langzaam
		125 ⇔ 129	Ventilatormodus volledig
130 ⇔ 134	Ventilatormodus auto		
135 ⇔ 139	Dimmodus snel		
140 ⇔ 144	Dimmodus langzaam		
145 ⇔ 255	Gereserveerd voor toekomstig gebruik		
23	Hoofdrood	000 ⇔ 255	0–100%
24	Hoofdgroen	000 ⇔ 255	0–100%
25	Hoofdblauw	000 ⇔ 255	0–100%
26	Hoofdwit	000 ⇔ 255	0–100%
27	Rood 1	000 ⇔ 255	0–100%
28	Groen 1	000 ⇔ 255	0–100%
29	Blauw 1	000 ⇔ 255	0–100%
30	Wit 1	000 ⇔ 255	0–100%

Kanaal	Functie	Waarde	Percentage/Instelling
31	Rood 2	000 ⇄ 255	0–100%
32	Groen 2	000 ⇄ 255	0–100%
33	Blauw 2	000 ⇄ 255	0–100%
34	Wit 2	000 ⇄ 255	0–100%
35	Rood 3	000 ⇄ 255	0–100%
36	Groen 3	000 ⇄ 255	0–100%
37	Blauw 3	000 ⇄ 255	0–100%
38	Wit 3	000 ⇄ 255	0–100%
39	Rood 4	000 ⇄ 255	0–100%
40	Groen 4	000 ⇄ 255	0–100%
41	Blauw 4	000 ⇄ 255	0–100%
42	Wit 4	000 ⇄ 255	0–100%
43	Rood 5	000 ⇄ 255	0–100%
44	Groen 5	000 ⇄ 255	0–100%
45	Blauw 5	000 ⇄ 255	0–100%
46	Wit 5	000 ⇄ 255	0–100%
47	Rood 6	000 ⇄ 255	0–100%
48	Groen 6	000 ⇄ 255	0–100%
49	Blauw 6	000 ⇄ 255	0–100%
50	Wit 6	000 ⇄ 255	0–100%
51	Rood 7	000 ⇄ 255	0–100%
52	Groen 7	000 ⇄ 255	0–100%
53	Blauw 7	000 ⇄ 255	0–100%
54	Wit 7	000 ⇄ 255	0–100%
55	Rood 8	000 ⇄ 255	0–100%
56	Groen 8	000 ⇄ 255	0–100%
57	Blauw 8	000 ⇄ 255	0–100%
58	Wit 8	000 ⇄ 255	0–100%
59	Rood 9	000 ⇄ 255	0–100%
60	Groen 9	000 ⇄ 255	0–100%
61	Blauw 9	000 ⇄ 255	0–100%
62	Wit 9	000 ⇄ 255	0–100%
63	Rood 10	000 ⇄ 255	0–100%
64	Groen 10	000 ⇄ 255	0–100%
65	Blauw 10	000 ⇄ 255	0–100%
66	Wit 10	000 ⇄ 255	0–100%

“Single Control”: “Basic”-modus (26-kanaal)

Kanaal	Functie	Waarde	Percentage/Instelling
1	Zwenken	000 ⇔ 255	0–100%
2	Fijnezwenken	000 ⇔ 255	0–100%
3	Kantelen	000 ⇔ 255	0–100%
4	Fijnekantelen	000 ⇔ 255	0–100%
5	Continue zwenken	000	Geen functie
		001 ⇔ 127	Continue zwenken, snel tot langzaam
		128	Geen functie
		129 ⇔ 255	Omgekeerde continue zwenken, langzaam tot snel
6	Continue kantelen	000	Geen functie
		001 ⇔ 127	Continue kantelen, snel tot langzaam
		128	Geen functie
		129 ⇔ 255	Omgekeerde continue kantelen, langzaam tot snel
7	Zwenken/Kantelensnelheid	000 ⇔ 255	Snel tot langzaam
8	CTC	000	Geen functie
		001 ⇔ 255	Kleurtemperatuur, 2800–10000 K
9	Ring kleur	000	Geen functie
		001 ⇔ 002	2700K R = 156 G = 118 B = 0 W = 63
		003 ⇔ 004	3200K R = 156 G = 141 B = 5 W = 89
		005 ⇔ 006	4200K R = 156 G = 141 B = 14 W = 255
		007 ⇔ 008	5600K R = 156 G = 207 B = 54 W = 255
		009 ⇔ 010	8000K R = 130 G = 255 B = 96 W = 255
		011	Blauw R = 0 G = 0 B = 255 W = 0
		012 ⇔ 048	+ groen R = 0 G = 0–255 B = 255 W = 0
		049	Cyaan R = 0 G = 255 B = 255 W = 0
		050 ⇔ 086	- blauw R = 0 G = 255 B = 255–0 W = 0
		087	Groen R = 0 G = 255 B = 0 W = 0
		088 ⇔ 124	+ rood R = 0–255 G = 255 B = 0 W = 0
		125	Geel R = 255 G = 255 B = 0 W = 0
		126 ⇔ 162	- groen R = 255 G = 255–0 B = 0 W = 0
		163	Rood R = 255 G = 0 B = 0 W = 0
		164 ⇔ 200	+ blauw R = 255 G = 0 B = 0–255 W = 0
		201	Magenta R = 255 G = 0 B = 255 W = 0
		202 ⇔ 238	- rood R = 255–0 G = 0 B = 255 W = 0
		239	Blauw R = 0 G = 0 B = 255 W = 0
		240 ⇔ 247	Kleurverandering, snel tot langzaam
248 ⇔ 255	Kleursprong, snel tot langzaam		

Kanaal	Functie	Waarde	Percentage/Instelling
10	Straalingskleur	000	Geen functie
		001 ⇄ 002	2700K R = 156 G = 118 B = 0 W = 63
		003 ⇄ 004	3200K R = 156 G = 141 B = 5 W = 89
		005 ⇄ 006	4200K R = 156 G = 141 B = 14 W = 255
		007 ⇄ 008	5600K R = 156 G = 207 B = 54 W = 255
		009 ⇄ 010	8000K R = 130 G = 255 B = 96 W = 255
		011	Blauw R = 0 G = 0 B = 255 W = 0
		012 ⇄ 048	+ groen R = 0 G = 0-255 B = 255 W = 0
		049	Cyaan R = 0 G = 255 B = 255 W = 0
		050 ⇄ 086	- blauw R = 0 G = 255 B = 255-0 W = 0
		087	Groen R = 0 G = 255 B = 0 W = 0
		088 ⇄ 124	+ rood R = 0-255 G = 255 B = 0 W = 0
		125	Geel R = 255 G = 255 B = 0 W = 0
		126 ⇄ 162	- groen R = 255 G = 255-0 B = 0 W = 0
		163	Rood R = 255 G = 0 B = 0 W = 0
		164 ⇄ 200	+ blauw R = 255 G = 0 B = 0-255 W = 0
		201	Magenta R = 255 G = 0 B = 255 W = 0
		202 ⇄ 238	- rood R = 255-0 G = 0 B = 255 W = 0
		239	Blauw R = 0 G = 0 B = 255 W = 0
		240 ⇄ 247	Kleurverandering, snel tot langzaam
248 ⇄ 255	Kleursprong, snel tot langzaam		
11	Gobo	000	Geen functie
		001 ⇄ 255	Gobos (geïndexeerd)
12	LED Macro / Automatisch programma	000 ⇄ 015	Geen functie
		016 ⇄ 135	LED macro's
		136 ⇄ 255	Automatische programma's
13	LED Macro / Automatisch programmasnelheid	000 ⇄ 127	Kleurwijziging met de klok mee, snel tot langzaam
		128	Bevriezen
		129 ⇄ 255	Kleurwijziging tegen de klok in, langzaam tot snel
14	LED ingebouwde vertraging	000 ⇄ 255	Snel tot langzaam
15	Achtergrondkleur	000	Geen functie
		001 ⇄ 002	2700K R = 156 G = 118 B = 0 W = 63
		003 ⇄ 004	3200K R = 156 G = 141 B = 5 W = 89
		005 ⇄ 006	4200K R = 156 G = 141 B = 14 W = 255
		007 ⇄ 008	5600K R = 156 G = 207 B = 54 W = 255
		009 ⇄ 010	8000K R = 130 G = 255 B = 96 W = 255
		011	Blauw R = 0 G = 0 B = 255 W = 0
		012 ⇄ 048	+ groen R = 0 G = 0-255 B = 255 W = 0
		049	Cyaan R = 0 G = 255 B = 255 W = 0
		050 ⇄ 086	- blauw R = 0 G = 255 B = 255-0 W = 0
		087	Groen R = 0 G = 255 B = 0 W = 0
		088 ⇄ 124	+ rood R = 0-255 G = 255 B = 0 W = 0
		125	Geel R = 255 G = 255 B = 0 W = 0
		126 ⇄ 162	- groen R = 255 G = 255-0 B = 0 W = 0
		163	Rood R = 255 G = 0 B = 0 W = 0
		164 ⇄ 200	+ blauw R = 255 G = 0 B = 0-255 W = 0
		201	Magenta R = 255 G = 0 B = 255 W = 0
		202 ⇄ 238	- rood R = 255-0 G = 0 B = 255 W = 0
		239	Blauw R = 0 G = 0 B = 255 W = 0
		240 ⇄ 247	Kleurverandering, snel tot langzaam
248 ⇄ 255	Kleursprong, snel tot langzaam		
16	Achtergronddimmer	000 ⇄ 255	0-100%
17	Ringdimmer	000 ⇄ 255	0-100%
18	Straalingsdimmer	000 ⇄ 255	0-100%

Kanaal	Functie	Waarde	Percentage/Instelling
19	Ringsluiter	000 ⇔ 019	Uit
		020 ⇔ 024	Aan
		025 ⇔ 069	Stroboscoop, snel tot langzaam
		070 ⇔ 089	Stroboscoop 100–0%, snel tot langzaam
		090 ⇔ 109	Stroboscoop 0–100%, snel tot langzaam
		110 ⇔ 129	Willekeurigestroboscoop, snel tot langzaam
		130 ⇔ 149	Willekeurigestroboscoop 100–0%, snel tot langzaam
		150 ⇔ 169	Willekeurigestroboscoop 0–100%, snel tot langzaam
		170 ⇔ 189	Pulsstroboscoop, snel tot langzaam
		190 ⇔ 209	Willekeurigepulsstroboscoop, snel tot langzaam
		210 ⇔ 229	Stroboscoop 0–100–0%, snel tot langzaam
		230 ⇔ 244	Willekeurigepulsstroboscoop, snel tot langzaam
		245 ⇔ 255	Aan
20	Straalingsluiter	000 ⇔ 019	Uit
		020 ⇔ 024	Aan
		025 ⇔ 069	Stroboscoop, snel tot langzaam
		070 ⇔ 089	Stroboscoop 100–0%, snel tot langzaam
		090 ⇔ 109	Stroboscoop 0–100%, snel tot langzaam
		110 ⇔ 129	Willekeurigestroboscoop, snel tot langzaam
		130 ⇔ 149	Willekeurigestroboscoop 100–0%, snel tot langzaam
		150 ⇔ 169	Willekeurigestroboscoop 0–100%, snel tot langzaam
		170 ⇔ 189	Pulsstroboscoop, snel tot langzaam
		190 ⇔ 209	Willekeurigepulsstroboscoop, snel tot langzaam
210 ⇔ 229	Stroboscoop 0–100–0%, snel tot langzaam		
230 ⇔ 244	Willekeurigepulsstroboscoop, snel tot langzaam		
245 ⇔ 255	Aan		
21	Zoom	000 ⇔ 255	Breed tot nauw
22	Regeling	000 ⇔ 009	Geen functie
		010 ⇔ 014	Zwenk-/kantelverduistering
		015 ⇔ 019	Gereserveerd voor toekomstig gebruik
		020 ⇔ 024	RGBW-kleurenmengmodus (additief)
		025 ⇔ 029	CMY-kleurenmengmodus (subtractief)
		030 ⇔ 049	Gereserveerd voor toekomstig gebruik
		050 ⇔ 054	Zwenk-reset
		055 ⇔ 059	Kantel-reset
		060 ⇔ 064	Zoom-reset
		065 ⇔ 069	Gereserveerd voor toekomstig gebruik
		070 ⇔ 074	Alles-reset
		075 ⇔ 109	Gereserveerd voor toekomstig gebruik
		110 ⇔ 114	Zwenk-/kantelsnelheid snel
		115 ⇔ 119	Zwenk-/kantelsnelheid langzaam
		120 ⇔ 124	Ventilatormodus langzaam
125 ⇔ 129	Ventilatormodus volledig		
130 ⇔ 134	Ventilatormodus auto		
135 ⇔ 139	Dimmodus snel		
140 ⇔ 144	Dimmodus langzaam		
145 ⇔ 255	Gereserveerd voor toekomstig gebruik		
23	Hoofdrood	000 ⇔ 255	0–100%
24	Hoofdgroen	000 ⇔ 255	0–100%
25	Hoofdblauw	000 ⇔ 255	0–100%
26	Hoofdwit	000 ⇔ 255	0–100%

“Dual Control”-waarden (Movement)

“Dual Control”: “Advanced Movement”-modus (41-kanaal)

Kanaal	Functie	Waarde	Percentage/Instelling
1	Zwenken	000 ⇔ 255	0–100%
2	Fijnezwenken	000 ⇔ 255	0–100%
3	Kantelen	000 ⇔ 255	0–100%
4	Fijnekantelen	000 ⇔ 255	0–100%
5	Continue zwenken	000	Geen functie
		001 ⇔ 127	Continue zwenken, snel tot langzaam
		128	Geen functie
		129 ⇔ 255	Omgekeerde continue zwenken, langzaam tot snel
6	Continue kantelen	000	Geen functie
		001 ⇔ 127	Continue kantelen, snel tot langzaam
		128	Geen functie
		129 ⇔ 255	Omgekeerde continue kantelen, langzaam tot snel
7	Zwenken/Kantelensnelheid	000 ⇔ 255	Snel tot langzaam
8	CTC	000	Geen functie
		001 ⇔ 255	Kleurtemperatuur, 2800–10000 K
9	Ring kleur	000	Geen functie
		001 ⇔ 002	2700K R = 156 G = 118 B = 0 W = 63
		003 ⇔ 004	3200K R = 156 G = 141 B = 5 W = 89
		005 ⇔ 006	4200K R = 156 G = 141 B = 14 W = 255
		007 ⇔ 008	5600K R = 156 G = 207 B = 54 W = 255
		009 ⇔ 010	8000K R = 130 G = 255 B = 96 W = 255
		011	Blauw R = 0 G = 0 B = 255 W = 0
		012 ⇔ 048	+ groen R = 0 G = 0–255 B = 255 W = 0
		049	Cyaan R = 0 G = 255 B = 255 W = 0
		050 ⇔ 086	- blauw R = 0 G = 255 B = 255–0 W = 0
		087	Groen R = 0 G = 255 B = 0 W = 0
		088 ⇔ 124	+ rood R = 0–255 G = 255 B = 0 W = 0
		125	Geel R = 255 G = 255 B = 0 W = 0
		126 ⇔ 162	- groen R = 255 G = 255–0 B = 0 W = 0
		163	Rood R = 255 G = 0 B = 0 W = 0
		164 ⇔ 200	+ blauw R = 255 G = 0 B = 0–255 W = 0
		201	Magenta R = 255 G = 0 B = 255 W = 0
		202 ⇔ 238	- rood R = 255–0 G = 0 B = 255 W = 0
		239	Blauw R = 0 G = 0 B = 255 W = 0
		240 ⇔ 247	Kleurverandering, snel tot langzaam
248 ⇔ 255	Kleursprong, snel tot langzaam		

Kanaal	Functie	Waarde	Percentage/Instelling				
10	Straalingskleur	000	Geen functie				
		001 ⇔ 002	2700K	R = 156	G = 118	B = 0	W = 63
		003 ⇔ 004	3200K	R = 156	G = 141	B = 5	W = 89
		005 ⇔ 006	4200K	R = 156	G = 141	B = 14	W = 255
		007 ⇔ 008	5600K	R = 156	G = 207	B = 54	W = 255
		009 ⇔ 010	8000K	R = 130	G = 255	B = 96	W = 255
		011	Blauw	R = 0	G = 0	B = 255	W = 0
		012 ⇔ 048	+ groen	R = 0	G = 0-255	B = 255	W = 0
		049	Cyaan	R = 0	G = 255	B = 255	W = 0
		050 ⇔ 086	- blauw	R = 0	G = 255	B = 255-0	W = 0
		087	Groen	R = 0	G = 255	B = 0	W = 0
		088 ⇔ 124	+ rood	R = 0-255	G = 255	B = 0	W = 0
		125	Geel	R = 255	G = 255	B = 0	W = 0
		126 ⇔ 162	- groen	R = 255	G = 255-0	B = 0	W = 0
		163	Rood	R = 255	G = 0	B = 0	W = 0
		164 ⇔ 200	+ blauw	R = 255	G = 0	B = 0-255	W = 0
		201	Magenta	R = 255	G = 0	B = 255	W = 0
		202 ⇔ 238	- rood	R = 255-0	G = 0	B = 255	W = 0
		239	Blauw	R = 0	G = 0	B = 255	W = 0
		240 ⇔ 247	Kleurverandering, snel tot langzaam				
248 ⇔ 255	Kleursprong, snel tot langzaam						
11	Gobo	000	Geen functie				
		001 ⇔ 255	Gobos (geïndexeerd)				
12	LED Macro / Automatisch programma	000 ⇔ 015	Geen functie				
		016 ⇔ 135	LED macro's				
		136 ⇔ 255	Automatische programma's				
13	LED Macro / Automatisch programmasnelheid	000 ⇔ 127	Kleurwijziging met de klok mee, snel tot langzaam				
		128	Bevriezen				
		129 ⇔ 255	Kleurwijziging tegen de klok in, langzaam tot snel				
14	LED ingebouwde vertraging	000 ⇔ 255	Snel tot langzaam				
15	Achtergrondkleur	000	Geen functie				
		001 ⇔ 002	2700K	R = 156	G = 118	B = 0	W = 63
		003 ⇔ 004	3200K	R = 156	G = 141	B = 5	W = 89
		005 ⇔ 006	4200K	R = 156	G = 141	B = 14	W = 255
		007 ⇔ 008	5600K	R = 156	G = 207	B = 54	W = 255
		009 ⇔ 010	8000K	R = 130	G = 255	B = 96	W = 255
		011	Blauw	R = 0	G = 0	B = 255	W = 0
		012 ⇔ 048	+ groen	R = 0	G = 0-255	B = 255	W = 0
		049	Cyaan	R = 0	G = 255	B = 255	W = 0
		050 ⇔ 086	- blauw	R = 0	G = 255	B = 255-0	W = 0
		087	Groen	R = 0	G = 255	B = 0	W = 0
		088 ⇔ 124	+ rood	R = 0-255	G = 255	B = 0	W = 0
		125	Geel	R = 255	G = 255	B = 0	W = 0
		126 ⇔ 162	- groen	R = 255	G = 255-0	B = 0	W = 0
		163	Rood	R = 255	G = 0	B = 0	W = 0
		164 ⇔ 200	+ blauw	R = 255	G = 0	B = 0-255	W = 0
		201	Magenta	R = 255	G = 0	B = 255	W = 0
		202 ⇔ 238	- rood	R = 255-0	G = 0	B = 255	W = 0
		239	Blauw	R = 0	G = 0	B = 255	W = 0
		240 ⇔ 247	Kleurverandering, snel tot langzaam				
248 ⇔ 255	Kleursprong, snel tot langzaam						
16	Achtergronddimmer	000 ⇔ 255	0-100%				
17	Fijneachtergronddimmer	000 ⇔ 255	0-100%				
18	Ringdimmer	000 ⇔ 255	0-100%				
19	Fijneringdimmer	000 ⇔ 255	0-100%				

Kanaal	Functie	Waarde	Percentage/Instelling
20	Straalingsdimmer	000 ⇄ 255	0–100%
21	Fijnstraalingsdimmer	000 ⇄ 255	0–100%
22	Ringsluiters	000 ⇄ 019	Uit
		020 ⇄ 024	Aan
		025 ⇄ 069	Stroboscoop, snel tot langzaam
		070 ⇄ 089	Stroboscoop 100–0%, snel tot langzaam
		090 ⇄ 109	Stroboscoop 0–100%, snel tot langzaam
		110 ⇄ 129	Willekeurigestroboscoop, snel tot langzaam
		130 ⇄ 149	Willekeurigestroboscoop 100–0%, snel tot langzaam
		150 ⇄ 169	Willekeurigestroboscoop 0–100%, snel tot langzaam
		170 ⇄ 189	Pulsstroboscoop, snel tot langzaam
		190 ⇄ 209	Willekeurigepulsstroboscoop, snel tot langzaam
		210 ⇄ 229	Stroboscoop 0–100–0%, snel tot langzaam
		230 ⇄ 244	Willekeurigepulsstroboscoop, snel tot langzaam
245 ⇄ 255	Aan		
23	Straalingsluiters	000 ⇄ 019	Uit
		020 ⇄ 024	Aan
		025 ⇄ 069	Stroboscoop, snel tot langzaam
		070 ⇄ 089	Stroboscoop 100–0%, snel tot langzaam
		090 ⇄ 109	Stroboscoop 0–100%, snel tot langzaam
		110 ⇄ 129	Willekeurigestroboscoop, snel tot langzaam
		130 ⇄ 149	Willekeurigestroboscoop 100–0%, snel tot langzaam
		150 ⇄ 169	Willekeurigestroboscoop 0–100%, snel tot langzaam
		170 ⇄ 189	Pulsstroboscoop, snel tot langzaam
		190 ⇄ 209	Willekeurigepulsstroboscoop, snel tot langzaam
		210 ⇄ 229	Stroboscoop 0–100–0%, snel tot langzaam
		230 ⇄ 244	Willekeurigepulsstroboscoop, snel tot langzaam
245 ⇄ 255	Aan		
24	Zoom	000 ⇄ 255	Breed tot nauw
25	Regeling	000 ⇄ 009	Geen functie
		010 ⇄ 014	Zwenk-/kantelverduistering
		015 ⇄ 019	Gereserveerd voor toekomstig gebruik
		020 ⇄ 024	RGBW-kleurenmengmodus (additief)
		025 ⇄ 029	CMY-kleurenmengmodus (subtractief)
		030 ⇄ 049	Gereserveerd voor toekomstig gebruik
		050 ⇄ 054	Zwenk-reset
		055 ⇄ 059	Kantel-reset
		060 ⇄ 064	Zoom-reset
		065 ⇄ 069	Gereserveerd voor toekomstig gebruik
		070 ⇄ 074	Alles-reset
		075 ⇄ 109	Gereserveerd voor toekomstig gebruik
		110 ⇄ 114	Zwenk-/kantelsnelheid snel
		115 ⇄ 119	Zwenk-/kantelsnelheid langzaam
		120 ⇄ 124	Ventilatormodus langzaam
		125 ⇄ 129	Ventilatormodus volledig
		130 ⇄ 134	Ventilatormodus auto
		135 ⇄ 139	Dimmodus snel
140 ⇄ 144	Dimmodus langzaam		
145 ⇄ 255	Gereserveerd voor toekomstig gebruik		
26	Ringrood	000 ⇄ 255	0–100%
27	Fijneringrood	000 ⇄ 255	0–100%
28	Straalrood	000 ⇄ 255	0–100%
29	Fijnstraalrood	000 ⇄ 255	0–100%
30	Ringgroen	000 ⇄ 255	0–100%
31	Fijneringgroen	000 ⇄ 255	0–100%

Kanaal	Functie	Waarde	Percentage/Instelling
32	Straalgroen	000 ⇔ 255	0–100%
33	Fijnestraalgroen	000 ⇔ 255	0–100%
34	Ringblauw	000 ⇔ 255	0–100%
35	Fijneringblauw	000 ⇔ 255	0–100%
36	Straalblauw	000 ⇔ 255	0–100%
37	Fijnestraalblauw	000 ⇔ 255	0–100%
38	Ringwit	000 ⇔ 255	0–100%
39	Fijneringwit	000 ⇔ 255	0–100%
40	Straalwit	000 ⇔ 255	0–100%
41	Fijnestraalwit	000 ⇔ 255	0–100%

“Dual Control”: “Standard Movement”-modus (30-kanaal)

Kanaal	Functie	Waarde	Percentage/Instelling
1	Zwenken	000 ⇔ 255	0–100%
2	Fijnezwenken	000 ⇔ 255	0–100%
3	Kantelen	000 ⇔ 255	0–100%
4	Fijnekantelen	000 ⇔ 255	0–100%
5	Continue zwenken	000	Geen functie
		001 ⇔ 127	Continue zwenken, snel tot langzaam
		128	Geen functie
		129 ⇔ 255	Omgekeerde continue zwenken, langzaam tot snel
6	Continue kantelen	000	Geen functie
		001 ⇔ 127	Continue kantelen, snel tot langzaam
		128	Geen functie
		129 ⇔ 255	Omgekeerde continue kantelen, langzaam tot snel
7	Zwenken/Kantelensnelheid	000 ⇔ 255	Snel tot langzaam
8	CTC	000	Geen functie
		001 ⇔ 255	Kleurtemperatuur, 2800–10000 K
9	Ring kleur	000	Geen functie
		001 ⇔ 002	2700K R = 156 G = 118 B = 0 W = 63
		003 ⇔ 004	3200K R = 156 G = 141 B = 5 W = 89
		005 ⇔ 006	4200K R = 156 G = 141 B = 14 W = 255
		007 ⇔ 008	5600K R = 156 G = 207 B = 54 W = 255
		009 ⇔ 010	8000K R = 130 G = 255 B = 96 W = 255
		011	Blauw R = 0 G = 0 B = 255 W = 0
		012 ⇔ 048	+ groen R = 0 G = 0–255 B = 255 W = 0
		049	Cyaan R = 0 G = 255 B = 255 W = 0
		050 ⇔ 086	- blauw R = 0 G = 255 B = 255–0 W = 0
		087	Groen R = 0 G = 255 B = 0 W = 0
		088 ⇔ 124	+ rood R = 0–255 G = 255 B = 0 W = 0
		125	Geel R = 255 G = 255 B = 0 W = 0
		126 ⇔ 162	- groen R = 255 G = 255–0 B = 0 W = 0
		163	Rood R = 255 G = 0 B = 0 W = 0
		164 ⇔ 200	+ blauw R = 255 G = 0 B = 0–255 W = 0
		201	Magenta R = 255 G = 0 B = 255 W = 0
		202 ⇔ 238	- rood R = 255–0 G = 0 B = 255 W = 0
		239	Blauw R = 0 G = 0 B = 255 W = 0
		240 ⇔ 247	Kleurverandering, snel tot langzaam
248 ⇔ 255	Kleursprong, snel tot langzaam		

Kanaal	Functie	Waarde	Percentage/Instelling
10	Straalingskleur	000	Geen functie
		001 ⇔ 002	2700K R = 156 G = 118 B = 0 W = 63
		003 ⇔ 004	3200K R = 156 G = 141 B = 5 W = 89
		005 ⇔ 006	4200K R = 156 G = 141 B = 14 W = 255
		007 ⇔ 008	5600K R = 156 G = 207 B = 54 W = 255
		009 ⇔ 010	8000K R = 130 G = 255 B = 96 W = 255
		011	Blauw R = 0 G = 0 B = 255 W = 0
		012 ⇔ 048	+ groen R = 0 G = 0-255 B = 255 W = 0
		049	Cyaan R = 0 G = 255 B = 255 W = 0
		050 ⇔ 086	- blauw R = 0 G = 255 B = 255-0 W = 0
		087	Groen R = 0 G = 255 B = 0 W = 0
		088 ⇔ 124	+ rood R = 0-255 G = 255 B = 0 W = 0
		125	Geel R = 255 G = 255 B = 0 W = 0
		126 ⇔ 162	- groen R = 255 G = 255-0 B = 0 W = 0
		163	Rood R = 255 G = 0 B = 0 W = 0
		164 ⇔ 200	+ blauw R = 255 G = 0 B = 0-255 W = 0
		201	Magenta R = 255 G = 0 B = 255 W = 0
		202 ⇔ 238	- rood R = 255-0 G = 0 B = 255 W = 0
		239	Blauw R = 0 G = 0 B = 255 W = 0
		240 ⇔ 247	Kleurverandering, snel tot langzaam
248 ⇔ 255	Kleursprong, snel tot langzaam		
11	Gobo	000	Geen functie
		001 ⇔ 255	Gobos (geïndexeerd)
12	LED Macro / Automatisch programma	000 ⇔ 015	Geen functie
		016 ⇔ 135	LED macro's
		136 ⇔ 255	Automatische programma's
13	LED Macro / Automatisch programmasnelheid	000 ⇔ 127	Kleurwijziging met de klok mee, snel tot langzaam
		128	Bevriezen
		129 ⇔ 255	Kleurwijziging tegen de klok in, langzaam tot snel
14	LED ingebouwde vertraging	000 ⇔ 255	Snel tot langzaam
15	Achtergrondkleur	000	Geen functie
		001 ⇔ 002	2700K R = 156 G = 118 B = 0 W = 63
		003 ⇔ 004	3200K R = 156 G = 141 B = 5 W = 89
		005 ⇔ 006	4200K R = 156 G = 141 B = 14 W = 255
		007 ⇔ 008	5600K R = 156 G = 207 B = 54 W = 255
		009 ⇔ 010	8000K R = 130 G = 255 B = 96 W = 255
		011	Blauw R = 0 G = 0 B = 255 W = 0
		012 ⇔ 048	+ groen R = 0 G = 0-255 B = 255 W = 0
		049	Cyaan R = 0 G = 255 B = 255 W = 0
		050 ⇔ 086	- blauw R = 0 G = 255 B = 255-0 W = 0
		087	Groen R = 0 G = 255 B = 0 W = 0
		088 ⇔ 124	+ rood R = 0-255 G = 255 B = 0 W = 0
		125	Geel R = 255 G = 255 B = 0 W = 0
		126 ⇔ 162	- groen R = 255 G = 255-0 B = 0 W = 0
		163	Rood R = 255 G = 0 B = 0 W = 0
		164 ⇔ 200	+ blauw R = 255 G = 0 B = 0-255 W = 0
		201	Magenta R = 255 G = 0 B = 255 W = 0
		202 ⇔ 238	- rood R = 255-0 G = 0 B = 255 W = 0
		239	Blauw R = 0 G = 0 B = 255 W = 0
		240 ⇔ 247	Kleurverandering, snel tot langzaam
248 ⇔ 255	Kleursprong, snel tot langzaam		
16	Achtergronddimmer	000 ⇔ 255	0-100%
17	Ringdimmer	000 ⇔ 255	0-100%
18	Straalingsdimmer	000 ⇔ 255	0-100%

Kanaal	Functie	Waarde	Percentage/Instelling
19	Ringsluiters	000 ⇄ 019	Uit
		020 ⇄ 024	Aan
		025 ⇄ 069	Stroboscoop, snel tot langzaam
		070 ⇄ 089	Stroboscoop 100–0%, snel tot langzaam
		090 ⇄ 109	Stroboscoop 0–100%, snel tot langzaam
		110 ⇄ 129	Willekeurigestroboscoop, snel tot langzaam
		130 ⇄ 149	Willekeurigestroboscoop 100–0%, snel tot langzaam
		150 ⇄ 169	Willekeurigestroboscoop 0–100%, snel tot langzaam
		170 ⇄ 189	Pulsstroboscoop, snel tot langzaam
		190 ⇄ 209	Willekeurigepulsstroboscoop, snel tot langzaam
		210 ⇄ 229	Stroboscoop 0–100–0%, snel tot langzaam
		230 ⇄ 244	Willekeurigepulsstroboscoop, snel tot langzaam
		245 ⇄ 255	Aan
20	Straalingsluiters	000 ⇄ 019	Uit
		020 ⇄ 024	Aan
		025 ⇄ 069	Stroboscoop, snel tot langzaam
		070 ⇄ 089	Stroboscoop 100–0%, snel tot langzaam
		090 ⇄ 109	Stroboscoop 0–100%, snel tot langzaam
		110 ⇄ 129	Willekeurigestroboscoop, snel tot langzaam
		130 ⇄ 149	Willekeurigestroboscoop 100–0%, snel tot langzaam
		150 ⇄ 169	Willekeurigestroboscoop 0–100%, snel tot langzaam
		170 ⇄ 189	Pulsstroboscoop, snel tot langzaam
		190 ⇄ 209	Willekeurigepulsstroboscoop, snel tot langzaam
		210 ⇄ 229	Stroboscoop 0–100–0%, snel tot langzaam
		230 ⇄ 244	Willekeurigepulsstroboscoop, snel tot langzaam
		245 ⇄ 255	Aan
21	Zoom	000 ⇄ 255	Breed tot nauw
22	Regeling	000 ⇄ 009	Geen functie
		010 ⇄ 014	Zwenk-/kantelverduistering
		015 ⇄ 019	Gereserveerd voor toekomstig gebruik
		020 ⇄ 024	RGBW-kleurenmengmodus (additief)
		025 ⇄ 029	CMY-kleurenmengmodus (subtractief)
		030 ⇄ 049	Gereserveerd voor toekomstig gebruik
		050 ⇄ 054	Zwenk-reset
		055 ⇄ 059	Kantel-reset
		060 ⇄ 064	Zoom-reset
		065 ⇄ 069	Gereserveerd voor toekomstig gebruik
		070 ⇄ 074	Alles-reset
		075 ⇄ 109	Gereserveerd voor toekomstig gebruik
		110 ⇄ 114	Zwenk-/kantelsnelheid snel
		115 ⇄ 119	Zwenk-/kantelsnelheid langzaam
		120 ⇄ 124	Ventilatormodus langzaam
		125 ⇄ 129	Ventilatormodus volledig
		130 ⇄ 134	Ventilatormodus auto
135 ⇄ 139	Dimmodus snel		
140 ⇄ 144	Dimmodus langzaam		
145 ⇄ 255	Gereserveerd voor toekomstig gebruik		
23	Ringrood	000 ⇄ 255	0–100%
24	Straalrood	000 ⇄ 255	0–100%
25	Ringgroen	000 ⇄ 255	0–100%
26	Straalgroen	000 ⇄ 255	0–100%
27	Ringblauw	000 ⇄ 255	0–100%
28	Straalblauw	000 ⇄ 255	0–100%
29	Ringwit	000 ⇄ 255	0–100%
30	Straalwit	000 ⇄ 255	0–100%

“Dual Control”: “Basic Movement”-modus (13-kanaal)

Kanaal	Functie	Waarde	Percentage/Instelling
1	Zwenken	000 ⇔ 255	0–100%
2	Fijnezwenken	000 ⇔ 255	0–100%
3	Kantelen	000 ⇔ 255	0–100%
4	Fijnekantelen	000 ⇔ 255	0–100%
5	Continue zwenken	000	Geen functie
		001 ⇔ 127	Continue zwenken, snel tot langzaam
		128	Geen functie
		129 ⇔ 255	Omgekeerde continue zwenken, langzaam tot snel
6	Continue kantelen	000	Geen functie
		001 ⇔ 127	Continue kantelen, snel tot langzaam
		128	Geen functie
		129 ⇔ 255	Omgekeerde continue kantelen, langzaam tot snel
7	Zwenken/Kantelensnelheid	000 ⇔ 255	Snel tot langzaam
8	Ringdimmer	000 ⇔ 255	0–100%
9	Straalingsdimmer	000 ⇔ 255	0–100%
10	Ringsluiters	000 ⇔ 019	Uit
		020 ⇔ 024	Aan
		025 ⇔ 069	Stroboscoop, snel tot langzaam
		070 ⇔ 089	Stroboscoop 100–0%, snel tot langzaam
		090 ⇔ 109	Stroboscoop 0–100%, snel tot langzaam
		110 ⇔ 129	Willekeurigestroboscoop, snel tot langzaam
		130 ⇔ 149	Willekeurigestroboscoop 100–0%, snel tot langzaam
		150 ⇔ 169	Willekeurigestroboscoop 0–100%, snel tot langzaam
		170 ⇔ 189	Pulsstroboscoop, snel tot langzaam
		190 ⇔ 209	Willekeurigepulsstroboscoop, snel tot langzaam
		210 ⇔ 229	Stroboscoop 0–100–0%, snel tot langzaam
		230 ⇔ 244	Willekeurigepulsstroboscoop, snel tot langzaam
		245 ⇔ 255	Aan
11	Straalingsluiters	000 ⇔ 019	Uit
		020 ⇔ 024	Aan
		025 ⇔ 069	Stroboscoop, snel tot langzaam
		070 ⇔ 089	Stroboscoop 100–0%, snel tot langzaam
		090 ⇔ 109	Stroboscoop 0–100%, snel tot langzaam
		110 ⇔ 129	Willekeurigestroboscoop, snel tot langzaam
		130 ⇔ 149	Willekeurigestroboscoop 100–0%, snel tot langzaam
		150 ⇔ 169	Willekeurigestroboscoop 0–100%, snel tot langzaam
		170 ⇔ 189	Pulsstroboscoop, snel tot langzaam
		190 ⇔ 209	Willekeurigepulsstroboscoop, snel tot langzaam
		210 ⇔ 229	Stroboscoop 0–100–0%, snel tot langzaam
		230 ⇔ 244	Willekeurigepulsstroboscoop, snel tot langzaam
		245 ⇔ 255	Aan
12	Zoom	000 ⇔ 255	Breed tot nauw

Kanaal	Functie	Waarde	Percentage/Instelling
13	Regeling	000 ⇄ 009	Geen functie
		010 ⇄ 014	Zwenk-/kantelverduistering
		015 ⇄ 019	Gereserveerd voor toekomstig gebruik
		020 ⇄ 024	RGBW-kleurenmengmodus (additief)
		025 ⇄ 029	CMY-kleurenmengmodus (subtractief)
		030 ⇄ 049	Gereserveerd voor toekomstig gebruik
		050 ⇄ 054	Zwenk-reset
		055 ⇄ 059	Kantel-reset
		060 ⇄ 064	Zoom-reset
		065 ⇄ 069	Gereserveerd voor toekomstig gebruik
		070 ⇄ 074	Alles-reset
		075 ⇄ 109	Gereserveerd voor toekomstig gebruik
		110 ⇄ 114	Zwenk-/kantelsnelheid snel
		115 ⇄ 119	Zwenk-/kantelsnelheid langzaam
		120 ⇄ 124	Ventilatormodus langzaam
		125 ⇄ 129	Ventilatormodus volledig
		130 ⇄ 134	Ventilatormodus auto
		135 ⇄ 139	Dimmodus snel
140 ⇄ 144	Dimmodus langzaam		
145 ⇄ 255	Gereserveerd voor toekomstig gebruik		

“Dual Control”-waarden (Pixels)

“Dual Control”: “Advanced Pixels”-modus (80-kanaal)

Kanaal	Functie	Waarde	Percentage/Instelling
1	Rood 1	000 ⇄ 255	0–100%
2	Fijnerood 1	000 ⇄ 255	0–100%
3	Groen 1	000 ⇄ 255	0–100%
4	Fijnegroen 1	000 ⇄ 255	0–100%
5	Blaauw 1	000 ⇄ 255	0–100%
6	Fijneblauw 1	000 ⇄ 255	0–100%
7	Wit	000 ⇄ 255	0–100%
8	Fijnewit 1	000 ⇄ 255	0–100%
9	Rood 2	000 ⇄ 255	0–100%
10	Fijnerood 2	000 ⇄ 255	0–100%
11	Groen 2	000 ⇄ 255	0–100%
12	Fijnegroen 2	000 ⇄ 255	0–100%
13	Blaauw 2	000 ⇄ 255	0–100%
14	Fijneblauw 2	000 ⇄ 255	0–100%
15	Wit 2	000 ⇄ 255	0–100%
16	Fijnewit 2	000 ⇄ 255	0–100%
17	Rood 3	000 ⇄ 255	0–100%
18	Fijnerood 3	000 ⇄ 255	0–100%
19	Groen 3	000 ⇄ 255	0–100%
20	Fijnegroen 3	000 ⇄ 255	0–100%
21	Blaauw 3	000 ⇄ 255	0–100%
22	Fijneblauw 3	000 ⇄ 255	0–100%
23	Wit 3	000 ⇄ 255	0–100%
24	Fijnewit 3	000 ⇄ 255	0–100%
25	Rood 4	000 ⇄ 255	0–100%
26	Fijnerood 4	000 ⇄ 255	0–100%
27	Groen 4	000 ⇄ 255	0–100%
28	Fijnegroen 4	000 ⇄ 255	0–100%
29	Blaauw 4	000 ⇄ 255	0–100%
30	Fijneblauw 4	000 ⇄ 255	0–100%
31	Wit 4	000 ⇄ 255	0–100%

Kanaal	Functie	Waarde	Percentage/Instelling
32	Fijnewit 4	000 ⇔ 255	0-100%
33	Rood 5	000 ⇔ 255	0-100%
34	Fijnerood 5	000 ⇔ 255	0-100%
35	Groen 5	000 ⇔ 255	0-100%
36	Fijnegroen 5	000 ⇔ 255	0-100%
37	Blauw 5	000 ⇔ 255	0-100%
38	Fijneblauw 5	000 ⇔ 255	0-100%
39	Wit 5	000 ⇔ 255	0-100%
40	Fijnewit 5	000 ⇔ 255	0-100%
41	Rood 6	000 ⇔ 255	0-100%
42	Fijnerood 6	000 ⇔ 255	0-100%
43	Groen 6	000 ⇔ 255	0-100%
44	Fijnegroen 6	000 ⇔ 255	0-100%
45	Blauw 6	000 ⇔ 255	0-100%
46	Fijneblauw 6	000 ⇔ 255	0-100%
47	Wit 6	000 ⇔ 255	0-100%
48	Fijnewit 6	000 ⇔ 255	0-100%
49	Rood 7	000 ⇔ 255	0-100%
50	Fijnerood 7	000 ⇔ 255	0-100%
51	Groen 7	000 ⇔ 255	0-100%
52	Fijnegroen 7	000 ⇔ 255	0-100%
53	Blauw 7	000 ⇔ 255	0-100%
54	Fijneblauw 7	000 ⇔ 255	0-100%
55	Wit 7	000 ⇔ 255	0-100%
56	Fijnewit 7	000 ⇔ 255	0-100%
57	Rood 8	000 ⇔ 255	0-100%
58	Fijnerood 8	000 ⇔ 255	0-100%
59	Groen 8	000 ⇔ 255	0-100%
60	Fijnegroen 8	000 ⇔ 255	0-100%
61	Blauw 8	000 ⇔ 255	0-100%
62	Fijneblauw 8	000 ⇔ 255	0-100%
63	Wit 8	000 ⇔ 255	0-100%
64	Fijnewit 8	000 ⇔ 255	0-100%
65	Rood 9	000 ⇔ 255	0-100%
66	Fijnerood 9	000 ⇔ 255	0-100%
67	Groen 9	000 ⇔ 255	0-100%
68	Fijnegroen 9	000 ⇔ 255	0-100%
69	Blauw 9	000 ⇔ 255	0-100%
70	Fijneblauw 9	000 ⇔ 255	0-100%
71	Wit 9	000 ⇔ 255	0-100%
72	Fijnewit 9	000 ⇔ 255	0-100%
73	Rood 10	000 ⇔ 255	0-100%
74	Fijnerood 10	000 ⇔ 255	0-100%
75	Groen 10	000 ⇔ 255	0-100%
76	Fijnegroen 10	000 ⇔ 255	0-100%
77	Blauw 10	000 ⇔ 255	0-100%
78	Fijneblauw 10	000 ⇔ 255	0-100%
79	Wit 10	000 ⇔ 255	0-100%
80	Fijnewit 10	000 ⇔ 255	0-100%

“Dual Control”: “Standard Pixels”-modus (40-kanaal)

Kanaal	Functie	Waarde	Percentage/Instelling
1	Rood 1	000 ⇄ 255	0–100%
2	Groen 1	000 ⇄ 255	0–100%
3	Blaauw 1	000 ⇄ 255	0–100%
4	Wit 1	000 ⇄ 255	0–100%
5	Rood 2	000 ⇄ 255	0–100%
6	Groen 2	000 ⇄ 255	0–100%
7	Blaauw 2	000 ⇄ 255	0–100%
8	Wit 2	000 ⇄ 255	0–100%
9	Rood 3	000 ⇄ 255	0–100%
10	Groen 3	000 ⇄ 255	0–100%
11	Blaauw 3	000 ⇄ 255	0–100%
12	Wit 3	000 ⇄ 255	0–100%
13	Rood 4	000 ⇄ 255	0–100%
14	Groen 4	000 ⇄ 255	0–100%
15	Blaauw 4	000 ⇄ 255	0–100%
16	Wit 4	000 ⇄ 255	0–100%
17	Rood 5	000 ⇄ 255	0–100%
18	Groen 5	000 ⇄ 255	0–100%
19	Blaauw 5	000 ⇄ 255	0–100%
20	Wit 5	000 ⇄ 255	0–100%
21	Rood 6	000 ⇄ 255	0–100%
22	Groen 6	000 ⇄ 255	0–100%
23	Blaauw 6	000 ⇄ 255	0–100%
24	Wit 6	000 ⇄ 255	0–100%
25	Rood 7	000 ⇄ 255	0–100%
26	Groen 7	000 ⇄ 255	0–100%
27	Blaauw 7	000 ⇄ 255	0–100%
28	Wit 7	000 ⇄ 255	0–100%
29	Rood 8	000 ⇄ 255	0–100%
30	Groen 8	000 ⇄ 255	0–100%
31	Blaauw 8	000 ⇄ 255	0–100%
32	Wit 8	000 ⇄ 255	0–100%
33	Rood 9	000 ⇄ 255	0–100%
34	Groen 9	000 ⇄ 255	0–100%
35	Blaauw 9	000 ⇄ 255	0–100%
36	Wit 9	000 ⇄ 255	0–100%
37	Rood 10	000 ⇄ 255	0–100%
38	Groen 10	000 ⇄ 255	0–100%
39	Blaauw 10	000 ⇄ 255	0–100%
40	Wit 10	000 ⇄ 255	0–100%

“Dual Control”: “Basic Pixels”-modus (30-kanaal)

Kanaal	Functie	Waarde	Percentage/Instelling
1	Rood 1	000 ⇔ 255	0–100%
2	Groen 1	000 ⇔ 255	0–100%
3	Blauw 1	000 ⇔ 255	0–100%
4	Rood 2	000 ⇔ 255	0–100%
5	Groen 2	000 ⇔ 255	0–100%
6	Blauw 2	000 ⇔ 255	0–100%
7	Rood 3	000 ⇔ 255	0–100%
8	Groen 3	000 ⇔ 255	0–100%
9	Blauw 3	000 ⇔ 255	0–100%
10	Rood 4	000 ⇔ 255	0–100%
11	Groen 4	000 ⇔ 255	0–100%
12	Blauw 4	000 ⇔ 255	0–100%
13	Rood 5	000 ⇔ 255	0–100%
14	Groen 5	000 ⇔ 255	0–100%
15	Blauw 5	000 ⇔ 255	0–100%
16	Rood 6	000 ⇔ 255	0–100%
17	Groen 6	000 ⇔ 255	0–100%
18	Blauw 6	000 ⇔ 255	0–100%
19	Rood 7	000 ⇔ 255	0–100%
20	Groen 7	000 ⇔ 255	0–100%
21	Blauw 7	000 ⇔ 255	0–100%
22	Rood 8	000 ⇔ 255	0–100%
23	Groen 8	000 ⇔ 255	0–100%
24	Blauw 8	000 ⇔ 255	0–100%
25	Rood 9	000 ⇔ 255	0–100%
26	Groen 9	000 ⇔ 255	0–100%
27	Blauw 9	000 ⇔ 255	0–100%
28	Rood 10	000 ⇔ 255	0–100%
29	Groen 10	000 ⇔ 255	0–100%
30	Blauw 10	000 ⇔ 255	0–100%

Contact Us

World Headquarters	
General Information	Technical Support
Address: 5200 NW 108th Ave. Sunrise, FL 33351 Voice: (954) 577-4455 Fax: (954) 929-5560 Toll Free: (800) 762-1084	Voice: (844) 393-7575 Fax: (954) 756-8015 Email: chauvetcs@chauvetlighting.com
	Website www.chauvetlighting.com
EUROPE	
General Information	Technical Support
Address: Stokstraat 18 9770 Kruishoutem Belgium Voice: +32 9 388 93 97	Email: eutech@chauvetlighting.eu
	Website www.chauvetlighting.eu
General Information	Technical Support
Address: Unit 1C Brookhill Road Industrial Estate Pinxton, Nottingham, UK NG16 6NT Voice: +44 (0) 1773 511115 Fax: +44 (0) 1773 511110	Email: uktech@chauvetlighting.com
	Website www.chauvetlighting.co.uk
MEXICO	
General Information	Technical Support
Address: Av. de las Partidas 34 - 3B (Entrance by Calle 2) Zona Industrial Lerma Lerma, Edo. de México, CP 52000 Voice: +52 (728) 690-2010	Email: servicio@chauvet.com.mx
	Website www.chauvet.com.mx

Outside the U.S., United Kingdom, Ireland, Mexico or Benelux, contact the dealer of record. Follow the instructions to request support or to return a product. Visit our website for contact details.



RoHS

