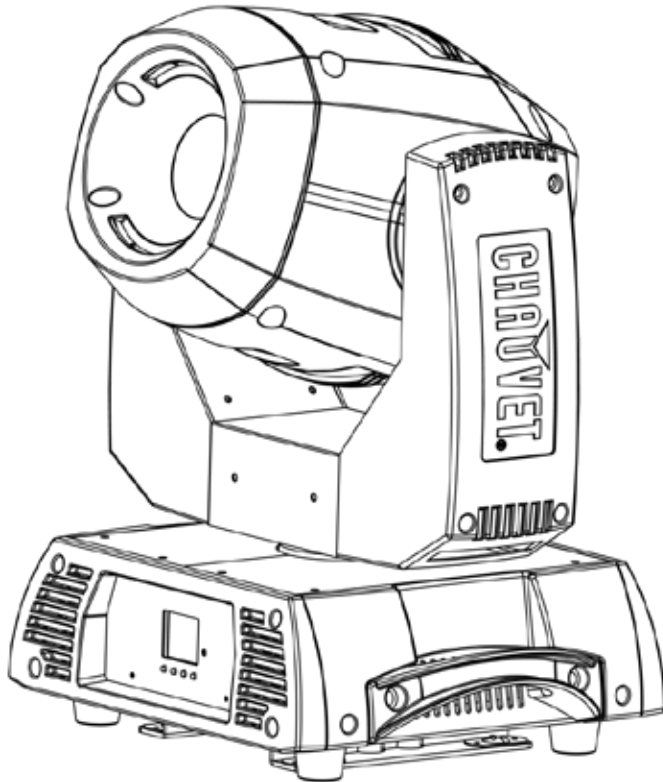


ROGUE



Quick Reference Guide

English	EN
Español	ES
Français	FR
Nederlands	NL



CHAUVET
PROFESSIONAL

About This Guide The Rogue R1X Spot Quick Reference Guide (QRG) has basic product information such as connection, mounting, menu options, and DMX values. Download the User Manual from www.chauvetprofessional.com for more details.

Disclaimer The information and specifications contained in this QRG are subject to change without notice.

- Safety Notes**
- DO NOT open this product. It contains no user-serviceable parts.
 - DO NOT look at the light source when the product is on.
 - To eliminate unnecessary wear and improve its lifespan, during periods of non-use completely disconnect the product from power via breaker or by unplugging it.
 - CAUTION: When transferring product from extreme temperature environments, (e.g. cold truck to warm humid ballroom) condensation may form on the internal electronics of the product. To avoid causing a failure, allow product to fully acclimate to the surrounding environment before connecting it to power.
 - CAUTION: This product's housing may be hot when lights are operating.
 - Mount this product in a location with adequate ventilation, at least 20 in (50 cm) from adjacent surfaces.
 - DO NOT leave any flammable material within 50 cm of this product while operating or connected to power.
 - USE a safety cable when mounting this product overhead.
 - DO NOT operate this product outdoors or in any location where dust, excessive heat, water, or humidity may affect it. (IP20)
 - DO NOT operate this product if the housing, lenses, or cables appear damaged.
 - DO NOT connect this product to a dimmer or rheostat.
 - ONLY connect this product to a grounded and protected circuit.
 - ONLY use the mounting brackets or the handles to carry this product. Do not carry by the moving head.
 - In the event of a serious operating problem, stop using immediately.
 - The maximum ambient temperature is 113 °F (45 °C). Do not operate this product at higher temperatures.

Contact Outside the U.S., United Kingdom, Ireland, Mexico, or Benelux, contact your distributor to request support or return a product. From inside the U.S., UK, Ireland, Mexico, or Benelux, use the information in [Contact Us](#) at the end of this QRG.

What Is Included

· Rogue R1X Spot	· Warranty Card
· Neutrik® powerCON® power cord	· Quick Reference Guide
· 2 Omega brackets with mounting hardware	

RDM (Remote Device Management) Remote Device Management, or RDM, is a standard for allowing DMX-enabled devices to communicate bi-directionally along existing DMX cabling. Check the DMX controller's User Manual or with the manufacturer as not all DMX controllers have this capability. The Rogue R1X Spot supports RDM protocol that allows feedback to make changes to menu map options. Download the User Manual from www.chauvetprofessional.com for more details.

AC Power This product has an auto-ranging power supply that can work with an input voltage range of 100–240 VAC, 50/60 Hz.



To eliminate unnecessary wear and improve its lifespan, during periods of non-use completely disconnect the product from power via breaker or by unplugging it.

Power Linking You can link up to 6 Rogue R1X Spot products at 120 V, 12 products at 208 V, or 13 products at 230 V. Never exceed this number. Power linking cords can be purchased separately.

AC Plug

Connection	Wire (U.S.)	Wire (Europe)	Screw Color
AC Live	Black	Brown	Yellow/Brass
AC Neutral	White	Blue	Silver
AC Ground	Green/Yellow	Green/Yellow	Green

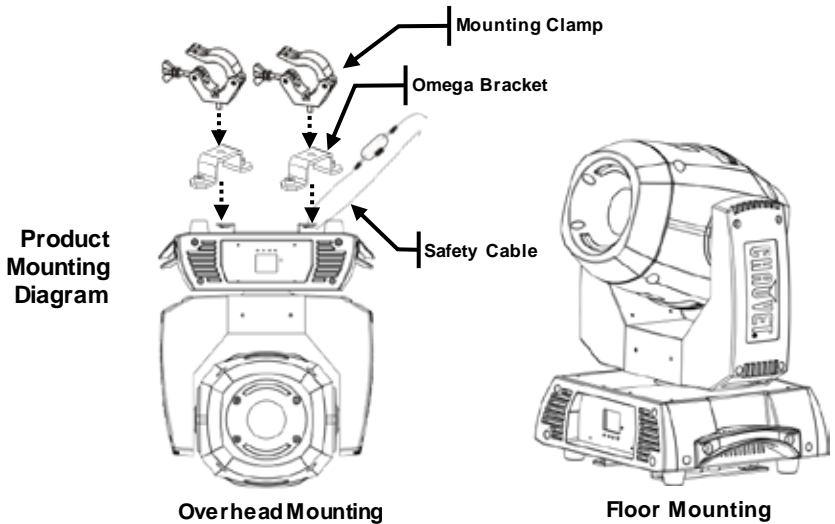
Replacing The Fuse

1. Disconnect this product from power.
2. Using a flat-head screwdriver, unscrew the fuse holder cap from the housing.
3. Remove blown fuse and replace with a good fuse of the same type and rating.
4. Screw the fuse holder cap back in place and reconnect power.

DMX Linking The Rogue R1X Spot will work with a DMX controller using a 3- or 5-pin DMX data connection. A DMX Primer is available from www.chauvetprofessional.com.

DMX Connection The Rogue R1X Spot uses a 3- or 5-pin DMX data connection for its DMX personalities: **16CH** and **19CH**. See the User Manual for information about connecting and configuring the product for DMX operation.

Mounting Before mounting this product, read the [Safety Notes](#). Use at least two mounting points per product. Make sure the mounting clamps are capable of supporting the weight of the product. For our Chauvet line of mounting clamps, go to <http://trusst.com/products/>.



Button	Function
<MENU>	Exits from the current menu or function
<ENTER>	Enables the currently displayed menu or sets the currently selected value into the selected function
<UP>	Navigates upwards through the menu list or increases the numeric value when in a function
<DOWN>	Navigates downwards through the menu list or decreases the numeric value when in a function

Menu Map

Main Level	Programming Levels		Description	
Address	001-512		Sets the DMX starting address	
Run Mode	DMX	16CH	Selects the DMX mode	
		19CH		
	Auto Test		Runs the product's test sequence	
	Manual Test	Pan	000-255	Allows manual control of all settings from the control panel
		Pan Fine		
		Tilt		
		Tilt Fine		
		P/T Speed		
		Dimmer		
		Dimmer Fine		
		Shutter		
		Color		
		Gobo		
		Gobo Rot		
		Gobo2		
Focus				
Prism				
R-Prism				
Iris				
P/T Macro				
P/T Ma.Speed				
Special Function				

Menu Map (Cont.)

Main Level	Programming Levels		Description	
Setup	Pan Reverse	YES	Reverse pan operation	
		NO	Normal pan operation	
	Tilt Reverse	YES	Reverse tilt operation	
		NO	Normal tilt operation	
	Screen Reverse	YES	Rotates control screen view 180°	
		NO	Normal control screen view	
	Pan Angle	540	Selects the 540° pan angle range	
		360	Selects the 360° pan angle range	
		180	Selects the 180° pan angle range	
	Tilt Angle	250	Selects the 250° tilt angle range	
		180	Selects the 180° tilt angle range	
		90	Selects the 90° tilt angle range	
	BL.O.P/T Move	YES	Defines the pan/tilt move-in-black delay	
		NO		
	BL.O.Color Move	YES	Defines the color change move-in-black delay	
		NO		
	BL.O.Gobo Move	YES	Defines the gobo change move-in-black delay	
		NO		
	LED Frequency	600Hz	Selects the PWM output frequency	
		1200Hz		
		2000Hz		
		4000Hz		
		6000Hz		
		15KHz		
	LED Power	50-100	Legacy mode-sets the LED level to the original R1 spot intensity.	
	Reset Function	Pan/Tilt	YES	Resets pan/tilt functions to the home position
			NO	
		Prism	YES	Resets all prism functions to the home position
NO				
Color		YES	Resets all color functions to the home position	
		NO		
Gobo&R/ Gobo2		YES	Resets all gobo functions to the home position	
		NO		
Focus/Iris		YES	Resets the focus and iris functions to the home position	
		NO		
All		YES	Resets all functions to the home position	
		NO		
Factory Settings	YES	Reverts the product back to the original		

		NO	factory settings
Sys Info	Ver:		Displays the software version
	Running Mode:		Displays the current running mode
	Dmx Address:		Displays the current DMX address
	Temperature:		Displays the product's temperature in Celsius
	UID:		Shows products UID

DMX Values

19CH	Channel	Function	Value	Percent/Setting
	1	Pan	000 ∘ 255	0–100%
	2	Fine Pan	000 ∘ 255	0–100%
	3	Tilt	000 ∘ 255	0–100%
	4	Fine Tilt	000 ∘ 255	0–100%
	5	Pan/Tilt Speed	000 ∘ 255	0–100%
	6	Dimmer	000 ∘ 255	0–100%
	7	Fine Dimmer	000 ∘ 255	0–100%
	8	Shutter	000 ∘ 003 Closed 004 ∘ 007 Open 008 ∘ 076 Slow to fast 077 ∘ 145 Pulse effect from slow to fast 146 ∘ 215 Random effect from slow to fast 216 ∘ 255 Open	
	9	Color Wheel	000 ∘ 006 Open 007 ∘ 013 Red 014 ∘ 020 Orange 021 ∘ 027 Green 028 ∘ 034 Yellow 035 ∘ 041 Blue 042 ∘ 048 CTO 3200 K 049 ∘ 055 Magenta 056 ∘ 063 Purple 064 ∘ 127 Split colors 128 ∘ 191 Clockwise color scroll, slow to fast 192 ∘ 255 Counter-clockwise color scroll, slow to fast	

DMX Values (Cont.)

19CH (Cont.)	Channel	Function	Value	Percent/Setting
10	Gobo Wheel 1	000 ∘ 007	Open	
		008 ∘ 015	Gobo 1	
		016 ∘ 023	Gobo 2	
		024 ∘ 031	Gobo 3	
		032 ∘ 039	Gobo 4	
		040 ∘ 047	Gobo 5	
		048 ∘ 055	Gobo 6	
		056 ∘ 063	Gobo 7	
		064 ∘ 119	Gobo shake 1–7, slow to fast	
		120 ∘ 127	Open	
128 ∘ 191	Clockwise gobo scroll, slow to fast			
192 ∘ 255	Counter-clockwise gobo scroll, slow to fast			
11	Gobo Wheel 1 Rotate	000 ∘ 063	Gobo index	
		064 ∘ 147	Clockwise rotation, slow to fast	
		148 ∘ 231	Counter-clockwise rotation, slow to fast	
		232 ∘ 255	Boomerang effect, slow to fast	
12	Gobo Wheel 2	000 ∘ 006	Open	
		007 ∘ 013	Gobo 1	
		014 ∘ 020	Gobo 2	
		021 ∘ 027	Gobo 3	
		028 ∘ 034	Gobo 4	
		035 ∘ 041	Gobo 5	
		042 ∘ 048	Gobo 6	
		049 ∘ 055	Gobo 7	
		056 ∘ 063	Gobo 8	
		064 ∘ 120	Gobo shake 1–8, slow to fast	
121 ∘ 127	Open			
128 ∘ 191	Clockwise gobo scroll, slow to fast			
192 ∘ 255	Counter-clockwise gobo scroll, slow to fast			
13	Focus	000 ∘ 255	0–100%	
14	Prism	000 ∘ 004	No function	
		005 ∘ 255	Prism insert	
15	Prism Rotate	000 ∘ 127	Prism index	
		128 ∘ 189	Counter-clockwise rotation, fast to slow	
		190 ∘ 193	Stop	
		194 ∘ 255	Clockwise rotation, slow to fast	
16	Iris	000 ∘ 063	Wide to narrow	
		064 ∘ 127	Iris effect, slow to fast	
		128 ∘ 191	Iris effect, in slow, out fast	
		192 ∘ 255	Iris effect, out slow, in fast	

DMX Values (Cont.)

19CH (Cont.)	Channel	Function	Value	Percent/Setting
			000 ◊ 007	No function
			008 ◊ 015	Effect 1
			016 ◊ 023	Effect 2
			024 ◊ 031	Effect 3
			032 ◊ 039	Effect 4
			040 ◊ 047	Effect 5
			048 ◊ 055	Effect 6
			056 ◊ 063	Effect 7
			064 ◊ 071	Effect 8
			072 ◊ 079	Effect 9
			080 ◊ 087	Effect 10
			088 ◊ 095	Effect 11
			096 ◊ 103	Effect 12
			104 ◊ 111	Effect 13
			112 ◊ 119	Effect 14
			120 ◊ 127	Effect 15
			128 ◊ 135	Effect 16
			136 ◊ 143	Effect 17
			144 ◊ 151	Effect 18
			152 ◊ 159	Effect 19
			160 ◊ 167	Effect 20
			168 ◊ 175	Effect 21
			176 ◊ 183	Effect 22
			184 ◊ 191	Effect 23
			192 ◊ 199	Effect 24
			200 ◊ 207	Effect 25
			208 ◊ 215	Effect 26
			216 ◊ 223	Effect 27
			224 ◊ 231	Effect 28
			232 ◊ 239	Effect 29
			240 ◊ 247	Effect 30
			248 ◊ 255	Effect 31
	17	Movement Macros		

DMX Values (Cont.)

19CH (Cont.)	Channel	Function	Value	Percent/Setting
	18	Movement Macro Speed	000 ∘ 255	0–100%
	19	Control	000 ∘ 007	No function
			008 ∘ 015	Blackout during pan/tilt (3 sec hold)
			016 ∘ 023	Blackout while color wheel moving (3 sec hold)
			024 ∘ 031	Blackout while gobo wheels moving (3 sec hold)
			032 ∘ 039	Disable pan/tilt blackout (3 sec hold)
			040 ∘ 047	Disable color wheel blackout (3 sec hold)
			048 ∘ 055	Disable gobo wheel blackout (3 sec hold)
			056 ∘ 095	No function
			096 ∘ 103	Pan reset
			104 ∘ 111	Tilt reset
			112 ∘ 119	Color wheel reset
			120 ∘ 127	Gobo wheel reset
			128 ∘ 135	Gobo rotation reset
			136 ∘ 143	Prism reset
			144 ∘ 151	Focus reset
			152 ∘ 159	All reset
			160 ∘ 167	Iris reset
			168 ∘ 239	No function
			240 ∘ 247	Pan/Tilt movement ramp speed, increase on
			248 ∘ 255	Pan/Tilt movement ramp speed, increase off

DMX Values (Cont.)

16CH	Channel	Function	Value	Percent/Setting
	1	Pan	000 ó 255	0–100%
	2	Fine Pan	000 ó 255	0–100%
	3	Tilt	000 ó 255	0–100%
	4	Fine Tilt	000 ó 255	0–100%
	5	Pan/Tilt Speed	000 ó 255	0–100%
	6	Dimmer	000 ó 255	0–100%
	7	Shutter	000 ó 003 004 ó 007 008 ó 076 077 ó 145 146 ó 215 216 ó 255	Closed Open Slow to fast Pulse effect from slow to fast Random effect from slow to fast Open

DMX Values (Cont.)

16CH (Cont.)	Channel	Function	Value	Percent/Setting
8	Color Wheel	000 ∘ 006	Open	
		007 ∘ 013	Red	
		014 ∘ 020	Orange	
		021 ∘ 027	Green	
		028 ∘ 034	Yellow	
		035 ∘ 041	Blue	
		042 ∘ 048	CTO 3200 K	
		049 ∘ 055	Magenta	
		056 ∘ 063	Purple	
		064 ∘ 127	Split colors	
		128 ∘ 191	Clockwise color scroll, slow to fast	
192 ∘ 255	Counter-clockwise color scroll, slow to fast			
9	Gobo Wheel 1	000 ∘ 007	Open	
		008 ∘ 015	Gobo 1	
		016 ∘ 023	Gobo 2	
		024 ∘ 031	Gobo 3	
		032 ∘ 039	Gobo 4	
		040 ∘ 047	Gobo 5	
		048 ∘ 055	Gobo 6	
		056 ∘ 063	Gobo 7	
		064 ∘ 119	Gobo shake 1–7, slow to fast	
		120 ∘ 127	Open	
		128 ∘ 191	Clockwise gobo scroll, slow to fast	
192 ∘ 255	Counter-clockwise gobo scroll, slow to fast			
10	Gobo Wheel 1 Rotate	000 ∘ 063	Gobo index	
		064 ∘ 147	Clockwise rotation, slow to fast	
		148 ∘ 231	Counter-clockwise rotation, slow to fast	
		232 ∘ 255	Boomerang effect, slow to fast	
11	Gobo Wheel 2	000 ∘ 006	Open	
		007 ∘ 013	Gobo 1	
		014 ∘ 020	Gobo 2	
		021 ∘ 027	Gobo 3	
		028 ∘ 034	Gobo 4	
		035 ∘ 041	Gobo 5	
		042 ∘ 048	Gobo 6	
		049 ∘ 055	Gobo 7	
		056 ∘ 063	Gobo 8	
		064 ∘ 120	Gobo shake 1–8, slow to fast	
		121 ∘ 127	Open	
		128 ∘ 191	Clockwise gobo scroll, slow to fast	
		192 ∘ 255	Counter-clockwise gobo scroll, slow to fast	

DMX Values (Cont.)

16CH (Cont.)	Channel	Function	Value	Percent/Setting
	12	Focus	000 ◊ 255	0–100%
	13	Prism	000 ◊ 004 005 ◊ 255	No function Prism insert
	14	Prism Rotate	000 ◊ 127 128 ◊ 189 190 ◊ 193 194 ◊ 255	Prism index Counter-clockwise rotation, fast to slow Stop Clockwise rotation, slow to fast
	15	Iris	000 ◊ 063 064 ◊ 127 128 ◊ 191 192 ◊ 255	Wide to narrow Iris effect, slow to fast Iris effect, in slow, out fast Iris effect, out slow, in fast
	16	Control	000 ◊ 007 008 ◊ 015 016 ◊ 023 024 ◊ 031 032 ◊ 039 040 ◊ 047 048 ◊ 055 056 ◊ 095 096 ◊ 103 104 ◊ 111 112 ◊ 119 120 ◊ 127 128 ◊ 135 136 ◊ 143 144 ◊ 151 152 ◊ 159 160 ◊ 167 168 ◊ 239 240 ◊ 247 248 ◊ 255	No function Blackout during pan/tilt (3 sec hold) Blackout while color wheel moving (3 sec hold) Blackout while gobo wheels moving (3 sec hold) Disable pan/tilt blackout (3 sec hold) Disable color wheel blackout (3 sec hold) Disable gobo wheel blackout (3 sec hold) No function Pan reset Tilt reset Color wheel reset Gobo wheel reset Gobo rotation reset Prism reset Focus reset All reset Iris reset No function Pan/Tilt movement ramp speed, increase on Pan/Tilt movement ramp speed, increase off

Contact Us

WORLD HEADQUARTERS - Chauvet

General Information

Address: 5200 NW 108th Avenue
Sunrise, FL 33351
Voice: (954) 577-4455
Fax: (954) 929-5560
Toll free: (800) 762-1084

Technical Support

Voice: (844) 393-7575
Fax: (954) 756-8015
Email: chauvetcs@chauvetlighting.com

World Wide Web

www.chauvetlighting.com

EUROPE - Chauvet Europe Ltd.

General Information

Address: Unit 1C
Brookhill Road Industrial Estate
Pinxton, Nottingham, UK
NG16 6NT
Voice: +44 (0)1773 511115
Fax: +44 (0)1773 511110

Technical Support

Email: uktech@chauvetlighting.com

World Wide Web

www.chauvetlighting.co.uk

General Information

Address: Stokstraat 18
9770 Kruishoutem
Belgium

Voice: +32 9 388 93 97

Technical Support

Email: Eutech@chauvetlighting.eu

World Wide Web

www.chauvetlighting.eu

MEXICO-Chauvet Mexico

General Information

Address: Av. de las Partidas 34 – B, Zona
Industrial Lerma, Mexico C.P.
52000 (Entrance by Calle 2)
Voice: +52 (728) 690-2010

Technical Support

Email: servicio@chauvet.com.mx

World Wide Web

www.chauvet.com.mx

Outside the U.S., United Kingdom, Ireland, Mexico, or Benelux, contact your dealer. Follow their instructions to request support or to return a product. Visit our website for contact details.



UL 1573
CSA C22.2 No. 166
E113093



RoHS

