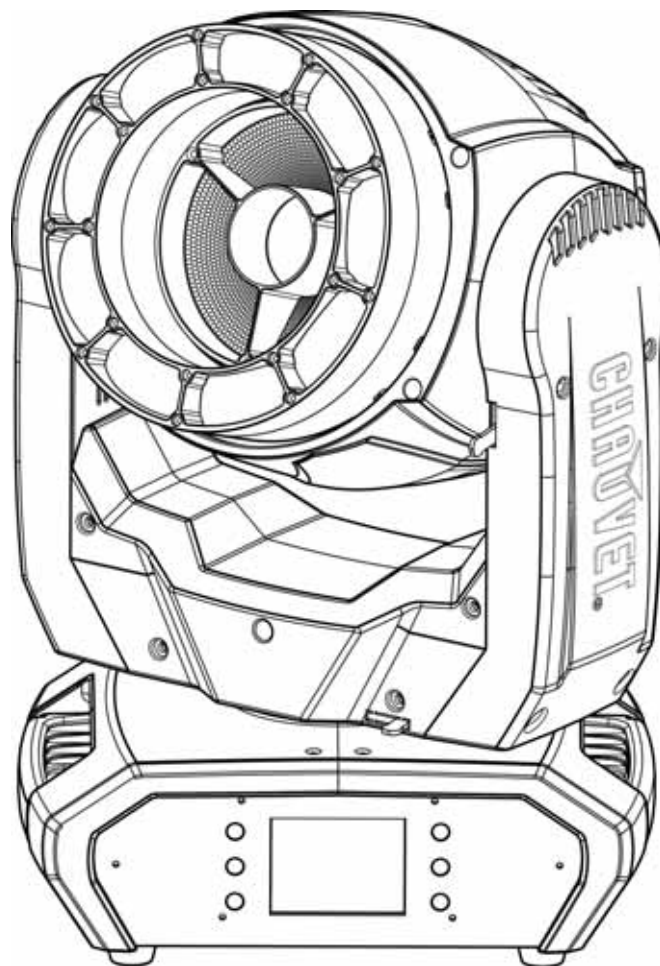


# MAVERICK

## MK PYXIS

### Quick Reference Guide

English	EN
Español	ES
Français	FR
Nederlands	NL



## About This Guide

The Maverick MK Pyxis Quick Reference Guide (QRG) has basic product information such as connection, mounting, menu options, and DMX values. Download the User Manual from [www.chauvetprofessional.com](http://www.chauvetprofessional.com) for more details.

### Disclaimer

The information and specifications contained in this QRG are subject to change without notice.

### Safety Notes

These Safety Notes include important information about installation, use, and maintenance.

- DO NOT open this product. It contains no user-serviceable parts.
- DO NOT look at the light source when the product is on.
- To eliminate unnecessary wear and improve its lifespan, during periods of non-use completely disconnect the product from power via breaker or by unplugging it.
- CAUTION: When transferring product from extreme temperature environments, (e.g. cold truck to warm humid ballroom) condensation may form on the internal electronics of the product. To avoid causing a failure, allow product to fully acclimate to the surrounding environment before connecting it to power.
- CAUTION: This product's housing may be hot when lights are operating.
- Mount this product in a location with adequate ventilation, at least 20 in (50 cm) from adjacent surfaces.
- DO NOT leave any flammable material within 50 cm of this product while operating or connected to power.
- USE a safety cable when mounting this product overhead.
- DO NOT operate this product outdoors or in any location where dust, excessive heat, water, or humidity may affect it. (IP20)
- DO NOT operate this product if the housing, lenses, or cables appear damaged.
- DO NOT connect this product to a dimmer or rheostat.
- ONLY connect this product to a grounded and protected circuit.
- ONLY use the hanging/mounting bracket or the handles to carry this product.
- In the event of a serious operating problem, stop using immediately.
- The maximum ambient temperature is 113 °F (45 °C). Do not operate this product at higher temperatures.

### Contact

Outside the U.S., United Kingdom, Ireland, Mexico, or Benelux contact your distributor to request support or return a product. Visit [www.chauvetprofessional.com](http://www.chauvetprofessional.com) for contact information.

### What is Included

- Maverick MK Pyxis
- Seetronic Powerkon Power Cord
- 2 Omega Brackets with Mounting Hardware
- Warranty Card
- Quick Reference Guide

### AC Power

This product has an auto-ranging power supply that can work with an input voltage range of 100–240 VAC, 50/60 Hz.

### AC Plug

Connection	Wire (U.S.)	Wire (Europe)	Screw Color
AC Live	Black	Brown	Yellow/Brass
AC Neutral	White	Blue	Silver
AC Ground	Green/Yellow	Green/Yellow	Green



**To eliminate wear and improve its lifespan, during periods of non-use completely disconnect the product from power via breaker or by unplugging it.**

### Power Linking

You can link up to 6 Maverick MK Pyxis products at 120 V, 11 products at 208 V, or 12 products at 230 V. Never exceed this number. Power linking cords can be purchased separately.

### Replacing the Fuse

1. Disconnect this product from power.
2. Using a flat-head screwdriver, unscrew the fuse holder cap from the housing.
3. Remove blown fuse and replace with a good fuse of the same type and rating.
4. Screw the fuse holder cap back in place and reconnect power.

## Signal Connections

You can link the Maverick MK Pyxis to a controller or controller software using a DMX connection, an Ethernet connection, or both. If using other Art-Net™, sACN, or Kling-Net-compatible products with the Maverick MK Pyxis, you can control each individually on a single network. See the User Manual for information about how to connect and configure the product for these signals.

### Control Personalities

The Maverick MK Pyxis uses DMX, Art-Net™, sACN, WDMX, and Kling-Net for its control personalities:

Single Control	Dual Control Movement	Dual Control Pixels
<b>Basic</b> (26-channel)	<b>Basic</b> (13-channel)	<b>Basic</b> (30-channel)
<b>Standard</b> (66-channel)	<b>Standard</b> (30-channel)	<b>Standard</b> (40-channel)
<b>Advanced</b> (113-channel)	<b>Advanced</b> (41-channel)	<b>Advanced</b> (80-channel)
<b>Tour</b> (131-channel)	Uses DMX, Art-Net™, or sACN	Uses DMX, Art-Net™, sACN, or Kling-Net
Uses DMX, Art-Net™, sACN, or WDMX		



In Dual Control mode, the Movement protocol and the Pixels protocol cannot be the same.

### DMX Connection

The Maverick MK Pyxis will work with a DMX controller using a 3- or 5-pin DMX data connection. A DMX Primer is available from [www.chauvetprofessional.com](http://www.chauvetprofessional.com).

### Art-Net™ Connection

Art-Net™ is an Ethernet protocol that uses TCP/IP which transfers a large amount of DMX512 data using an Neutrik® etherCON® RJ45 connection over a large network. An Art-Net™ protocol document is available from [www.chauvetprofessional.com](http://www.chauvetprofessional.com). Chauvet Professional recommends using unicast Art-Net™ for best results.

Art-Net™ designed by and copyright Artistic Licence Holdings Ltd.

### sACN Connection

Also known as ANSI E1.31, Streaming-ACN is an Ethernet protocol that uses the layering and formatting of Architecture for Control Networks to transport DMX512 data over IP or any other ACN compatible network. ACN is maintained by the Professional Lighting and Sound Association (PLASA).

### Kling-Net Connection

Kling-Net is a network protocol that allows auto configuration of display devices using a Neutrik® etherCON® RJ45 Ethernet connection. Refer to the ArKaos software manual for detailed instructions on programming this product.



For smooth-running operation, ArKaos Kling-Net requires a gigabit (1000 Mbps) Ethernet card and network router.



ArKaos Kling-Net will only run Standard Pixels or Basic Pixels mode.

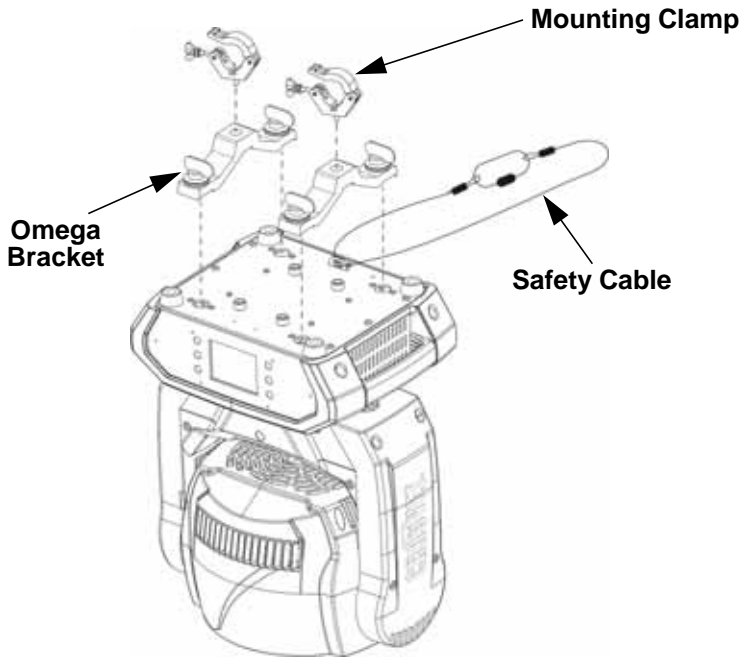
### RDM (Remote Device Management)

Remote Device Management, or RDM, is a standard for allowing DMX-enabled devices to communicate bi-directionally along existing DMX cabling. The Maverick MK Pyxis supports RDM protocol that allows feedback to monitor temperature and changes to menu options. Download the User Manual from [www.chauvetprofessional.com](http://www.chauvetprofessional.com) for more details.

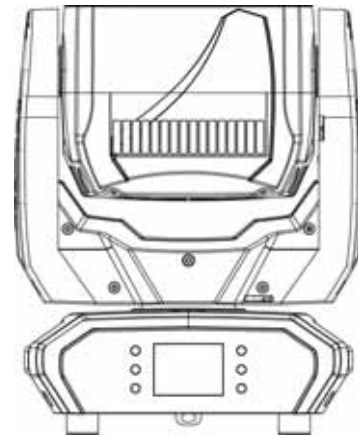
## Mounting

Before mounting this product, read the [Safety Notes](#). Use at least two mounting points per product. Make sure the mounting clamps are capable of supporting the weight of the product. For our CHAUVET Professional line of mounting clamps, go to <http://trusst.com/products>.

### Mounting Diagram



**Overhead Mounting**



**Surface Mounting**

## Touchscreen Control Panel

The Maverick MK Pyxis has a touchscreen display as well as 6 control buttons. The touchscreen can be locked and calibrated through the **Setup** options in the menu.

### Control Panel Description

Button	Function
< ↑ >	Navigates upwards through the menu list or increases the numeric value when in a function
< ≡ >	Exits from the current menu or function
< ↓ >	Navigates downwards through the menu list or decreases the numeric value when in a function
< ← >	Navigates leftwards through the menu list
< ↶ >	Enables the currently displayed menu or sets the currently selected value into the selected function
< → >	Navigates rightwards through the menu list

Menu Map

Programming Levels				Description		
<b>Control Settings</b>				<b>Control Settings Main Level</b>		
<b>Single Control</b>	<b>DMX</b>	<b>Personality</b>	<b>Basic</b>	Sets the DMX personality (see <a href="#">Control Personalities</a> )		
			<b>Standard</b>			
			<b>Advanced</b>			
			<b>Tour</b>			
	<b>Start Address</b>			<b>0-512</b>	Sets the DMX starting address	
		<b>ArtNet</b>	<b>Personality</b>	<b>Basic</b>	Sets the Art-Net™ personality (see <a href="#">Control Personalities</a> )	
				<b>Standard</b>		
				<b>Advanced</b>		
	<b>Tour</b>					
	<b>Start Address</b>			<b>0-512</b>	Sets the Art-Net™ starting address	
		<b>Universe</b>			<b>0-255</b>	Sets the Art-Net™ universe
			<b>sACN</b>	<b>Personality</b>	<b>Basic</b>	Sets the sACN personality (see <a href="#">Control Personalities</a> )
					<b>Standard</b>	
	<b>Advanced</b>					
	<b>Tour</b>					
	<b>Start Address</b>			<b>0-512</b>	Sets the sACN starting address	
<b>Universe</b>				<b>0-255</b>	Sets the sACN universe	
		<b>WDMX</b>	<b>Personality</b>	<b>Basic</b>	Sets the WDMX personality (see <a href="#">Control Personalities</a> )	
				<b>Standard</b>		
	<b>Advanced</b>					
<b>Tour</b>						
<b>Start Address</b>			<b>0-512</b>	Sets the WDMX starting address		
	<b>DMX</b>	<b>Personality</b>	<b>Basic</b>	Sets the DMX personality (see <a href="#">Control Personalities</a> )		
			<b>Standard</b>			
			<b>Advanced</b>			
<b>Tour</b>						
<b>Start Address</b>			<b>0-512</b>	Sets the DMX starting address		
	<b>ArtNet</b>	<b>Personality</b>	<b>Basic</b>	Sets the Art-Net™ personality (see <a href="#">Control Personalities</a> )		
			<b>Standard</b>			
			<b>Advanced</b>			
<b>Tour</b>						
<b>Start Address</b>			<b>0-512</b>	Sets the Art-Net™ starting address		
	<b>Universe</b>			<b>0-255</b>	Sets the Art-Net™ universe	
		<b>sACN</b>	<b>Personality</b>	<b>Basic</b>	Sets the sACN personality (see <a href="#">Control Personalities</a> )	
				<b>Standard</b>		
<b>Advanced</b>						
<b>Tour</b>						
<b>Start Address</b>			<b>0-512</b>	Sets the sACN starting address		
	<b>Universe</b>			<b>0-255</b>	Sets the sACN universe	
		<b>DMX</b>	<b>Personality</b>	<b>Basic</b>	Sets the DMX personality (see <a href="#">Control Personalities</a> )	
				<b>Standard</b>		
<b>Advanced</b>						
<b>Tour</b>						
<b>Start Address</b>			<b>0-512</b>	Sets the DMX starting address		
	<b>ArtNet</b>	<b>Personality</b>	<b>Basic</b>	Sets the Art-Net™ personality (see <a href="#">Control Personalities</a> )		
			<b>Standard</b>			
			<b>Advanced</b>			
<b>Tour</b>						
<b>Start Address</b>			<b>0-512</b>	Sets the Art-Net™ starting address		
	<b>Universe</b>			<b>0-255</b>	Sets the Art-Net™ universe	
		<b>sACN</b>	<b>Personality</b>	<b>Basic</b>	Sets the sACN personality (see <a href="#">Control Personalities</a> )	
				<b>Standard</b>		
<b>Advanced</b>						
<b>Tour</b>						
<b>Start Address</b>			<b>0-512</b>	Sets the sACN starting address		
	<b>Universe</b>			<b>0-255</b>	Sets the sACN universe	
		<b>KlingNet</b>	<b>Personality</b>	<b>Basic</b>	Sets the Kling-Net personality (see <a href="#">Control Personalities</a> )	
				<b>Standard</b>		

# QUICK REFERENCE GUIDE



EN

Programming Levels			Description	
<b>Test Mode</b>			<b>Test Mode Main Level</b>	
<b>Test Mode</b>	<b>Auto Test</b>		Auto test all functions	
	<b>Manual Test</b>	Pan	<b>000–255</b>	Manually control and test all settings through the control panel
		Tilt		
		P/T Speed		
		Red		
		Green		
		Blue		
		White		
		CTC		
		Color		
		Pattern		
		LED Macro		
		LED Ma. Speed		
		LED Ma. Fade		
		Background		
		Background Dim.		
		Dimmer		
Shutter				
Function				
Zoom				
<b>Setup</b>			<b>Setup Main Level</b>	
<b>Network Settings</b>	<b>Ethernet To DMX</b>	<b>NO</b>	Do not convert ethernet in to DMX	
		<b>YES</b>	Convert ethernet in to DMX out	
	<b>IP Mode</b>	<b>Manual</b>	Manually set IP address	
		<b>DHCP</b>	Network sets IP address	
		<b>Static</b>	Product sets IP address	
<b>IP</b>	_____	Sets IP address in Manual mode		
<b>SubMask</b>	_____	Sets Subnet Mask in Manual mode		
<b>Pan Reverse</b>	<b>NO</b>	Normal pan		
	<b>YES</b>	Reversed pan		
<b>Tilt Reverse</b>	<b>NO</b>	Normal tilt		
	<b>YES</b>	Reversed tilt		
<b>Zoom Reverse</b>	<b>NO</b>	Normal Zoom		
	<b>YES</b>	Reversed Zoom		
<b>Screen Reverse</b>	<b>NO</b>	Normal display		
	<b>YES</b>	Inverted display		
	<b>AUTO</b>	Automatic display orientation		
<b>Pan Angle</b>	<b>540</b>	540° pan range		
	<b>360</b>	360° pan range		
	<b>180</b>	180° pan range		
<b>Tilt Angle</b>	<b>270</b>	540° tilt range		
	<b>180</b>	270° tilt range		
	<b>90</b>	180° tilt range		
<b>BL. O. P/T Move</b>	<b>NO</b>	Do not black out while pan/tilt		
	<b>YES</b>	Blackout while pan/tilt		
<b>Calibration</b>	<b>NO</b>	Keep current settings		
	<b>YES</b>	Calibrate touchscreen		
<b>Touchscreen Lock</b>	<b>NO</b>	Display responds to touch		
	<b>YES</b>	Display does not respond to touch		
<b>Lock Screen</b>	<b>NO</b>	Lock the buttons and touch screen		
	<b>YES</b>	Passcode: 0920		
<b>Swap XY</b>	<b>NO</b>	Do not swap pan and tilt		
	<b>YES</b>	Pan controls tilt, tilt controls pan		

Programming Levels		Description	
<b>Setup (cont.)</b>		<b>Setup Main Level (cont.)</b>	
<b>WDMX Reset</b>	<b>NO</b>	Do not reset WDMX	
	<b>YES</b>	Reset WDMX	
<b>Backlight Timer</b>	<b>30S</b>	Display turns off after 30 seconds	
	<b>1M</b>	Display turns off after 1 minute	
	<b>5M</b>	Display turns off after 5 minutes	
	<b>ON</b>	Display stays on	
<b>Loss of Data</b>	<b>Hold</b>	Holds last signal received	
	<b>Close</b>	Blacks out fixture	
<b>Fans</b>	<b>Auto</b>	Fan speed according to product temperature	
	<b>Full</b>	Fan speed set on high	
	<b>ECO</b>	Quiet mode	
<b>C Mixing Mode</b>	<b>RGBW</b>	RGBW mode (additive)	
	<b>CMY</b>	CMY mode (subtractive)	
<b>Dimmer Curve</b>	<b>Linear</b>	Set the dimmer curve	
	<b>Square</b>		
	<b>I Squa</b>		
	<b>SCurve</b>		
<b>Dimmer Speed</b>	<b>Smooth</b>	Set the dimmer speed	
	<b>Fast</b>		
<b>PWM Option</b>	<b>600Hz</b>	Sets the Pulse Width Modulation frequency	
	<b>1200Hz</b>		
	<b>2000Hz</b>		
	<b>4000Hz</b>		
	<b>6000Hz</b>		
<b>Color Balance</b>	<b>Red</b>	<b>100–255</b>	Sets red LED maximum value
	<b>Green</b>		Sets green LED maximum value
	<b>Blue</b>		Sets blue LED maximum value
	<b>White</b>		Sets white LED maximum value
<b>Preset Select</b>	<b>PRESET A</b>	Recorded preset menu options	
	<b>PRESET B</b>		
	<b>PRESET C</b>		
<b>Preset Sync</b>	<b>NO</b>	Allows recorded preset menu options to be transferred to other Maverick MK1 Spots in the DMX daisy chain	
	<b>YES</b>		
<b>Reset Function</b>	<b>Pan/Tilt</b>	<b>NO</b>	Reset individual functions or all functions from start-up
		<b>YES</b>	
	<b>Zoom</b>	<b>NO</b>	
		<b>YES</b>	
<b>All</b>	<b>NO</b>		
	<b>YES</b>		
<b>Factory Settings</b>	<b>NO</b>	Reset to factory default settings	
	<b>YES</b>		

# QUICK REFERENCE GUIDE



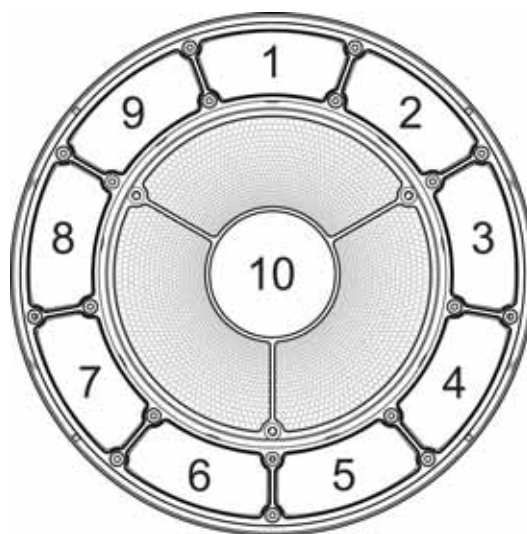
EN

Programming Levels		Description	
<b>Sys Info</b>		<b>Sys Info Main Level</b>	
<b>Sys Info</b>	<b>Ver</b>	<b>V_</b>	
	<b>Running Mode</b>	---	
	<b>Address</b>	---	
	<b>Temperature</b>	---	
	<b>Fixture Hours</b>	-----	
	<b>Ip</b>	---.---.---.---	
	<b>SubMask</b>	---.---.---.---	
	<b>MAC</b>	--.---.---.---	
	<b>Fan Information</b>	<b>Head Fan1 Speed</b>	-----
		<b>Head Fan2 Speed</b>	-----
<b>Error Information</b>	<b>No Error!*</b>		



Programming Levels		Description
Sys Info (cont.)		Sys Info Main Level (cont.)
Sys Info (cont.)	<b>Channel Information</b>	Shows all current values from input signals, 000–255
	Frequency	
	Pan	
	Pan Fine	
	Tilt	
	Tilt Fine	
	Pan Rotation	
	Tilt Rotation	
	P/T Speed	
	CTC	
	Color (1–2)	
	Pattern	
	LED Macro	
	LED Ma. Speed	
	LED Ma. Fine	
	Background	
	Background Dim.	
	Bg. Dim. Fine	
	Dimmer (A–B)	
	Dimmer Fine (A–B)	
	Shutter (1–2)	
	Zoom	
	Function	
	Red (all, 1–10)	
	Red Fine (all, 1–10)	
	Green (all, 1–10)	
	Green fine (all, 1–10)	
	Blue (all, 1–10)	
	Blue Fine (all, 1–10)	
	White (all, 1–10)	
White Fine (all, 1–10)		
Dimmer (1–10)		
Dimmer Fine (1–10)		

Zones for Pixel Control



Single Control Values

Single Control: Tour Mode (131-channel)

Channel	Function	Value	Percent/Setting
1	Pan	000 ⇄ 255	0–100%
2	Pan Fine	000 ⇄ 255	0–100%
3	Tilt	000 ⇄ 255	0–100%
4	Tilt Fine	000 ⇄ 255	0–100%
5	Continuous Pan	000	No function
		001 ⇄ 127	Continuous pan, fast to slow
		128	No function
		129 ⇄ 255	Reverse continuous pan, slow to fast
6	Continuous Tilt	000	No function
		001 ⇄ 127	Continuous tilt, fast to slow
		128	No function
		129 ⇄ 255	Reverse continuous tilt, slow to fast
7	Pan/Tilt Speed	000 ⇄ 255	Fast to slow
8	CTC	000	No function
		001 ⇄ 255	Color temperature, 2800–10000 K
9	Ring Color	000	No function
		001 ⇄ 002	2700K R = 156 G = 118 B = 0 W = 63
		003 ⇄ 004	3200K R = 156 G = 141 B = 5 W = 89
		005 ⇄ 006	4200K R = 156 G = 141 B = 14 W = 255
		007 ⇄ 008	5600K R = 156 G = 207 B = 54 W = 255
		009 ⇄ 010	8000K R = 130 G = 255 B = 96 W = 255
		011	Blue R = 0 G = 0 B = 255 W = 0
		012 ⇄ 048	+ Green R = 0 G = 0–255 B = 255 W = 0
		049	Cyan R = 0 G = 255 B = 255 W = 0
		050 ⇄ 086	- Blue R = 0 G = 255 B = 255–0 W = 0
		087	Green R = 0 G = 255 B = 0 W = 0
		088 ⇄ 124	+ Red R = 0–255 G = 255 B = 0 W = 0
		125	Yellow R = 255 G = 255 B = 0 W = 0
		126 ⇄ 162	- Green R = 255 G = 255–0 B = 0 W = 0
		163	Red R = 255 G = 0 B = 0 W = 0
		164 ⇄ 200	+ Blue R = 255 G = 0 B = 0–255 W = 0
		201	Magenta R = 255 G = 0 B = 255 W = 0
		202 ⇄ 238	- Red R = 255–0 G = 0 B = 255 W = 0
		239	Blue R = 0 G = 0 B = 255 W = 0
		240 ⇄ 247	Color fade, fast to slow
248 ⇄ 255	Color snap, fast to slow		

Channel	Function	Value	Percent/Setting
10	Beam Color	000	No function
		001 ⇔ 002	2700K R = 156 G = 118 B = 0 W = 63
		003 ⇔ 004	3200K R = 156 G = 141 B = 5 W = 89
		005 ⇔ 006	4200K R = 156 G = 141 B = 14 W = 255
		007 ⇔ 008	5600K R = 156 G = 207 B = 54 W = 255
		009 ⇔ 010	8000K R = 130 G = 255 B = 96 W = 255
		011	Blue R = 0 G = 0 B = 255 W = 0
		012 ⇔ 048	+ Green R = 0 G = 0-255 B = 255 W = 0
		049	Cyan R = 0 G = 255 B = 255 W = 0
		050 ⇔ 086	- Blue R = 0 G = 255 B = 255-0 W = 0
		087	Green R = 0 G = 255 B = 0 W = 0
		088 ⇔ 124	+ Red R = 0-255 G = 255 B = 0 W = 0
		125	Yellow R = 255 G = 255 B = 0 W = 0
		126 ⇔ 162	- Green R = 255 G = 255-0 B = 0 W = 0
		163	Red R = 255 G = 0 B = 0 W = 0
		164 ⇔ 200	+ Blue R = 255 G = 0 B = 0-255 W = 0
		201	Magenta R = 255 G = 0 B = 255 W = 0
		202 ⇔ 238	- Red R = 255-0 G = 0 B = 255 W = 0
		239	Blue R = 0 G = 0 B = 255 W = 0
		240 ⇔ 247	Color fade, fast to slow
248 ⇔ 255	Color snap, fast to slow		
11	Gobo	000	No function
		001 ⇔ 255	Gobos (indexed)
12	LED Macro / Auto Program	000 ⇔ 015	No function
		016 ⇔ 135	LED macros
		136 ⇔ 255	Auto programs
13	LED Macro / Auto Program Speed	000 ⇔ 127	Auto speed, fast to slow
		128	Hold
		129 ⇔ 255	Auto speed, slow to fast
14	LED Built-in Delay	000 ⇔ 255	Fast to slow
15	Background Color	000	No function
		001 ⇔ 002	2700K R = 156 G = 118 B = 0 W = 63
		003 ⇔ 004	3200K R = 156 G = 141 B = 5 W = 89
		005 ⇔ 006	4200K R = 156 G = 141 B = 14 W = 255
		007 ⇔ 008	5600K R = 156 G = 207 B = 54 W = 255
		009 ⇔ 010	8000K R = 130 G = 255 B = 96 W = 255
		011	Blue R = 0 G = 0 B = 255 W = 0
		012 ⇔ 048	+ Green R = 0 G = 0-255 B = 255 W = 0
		049	Cyan R = 0 G = 255 B = 255 W = 0
		050 ⇔ 086	- Blue R = 0 G = 255 B = 255-0 W = 0
		087	Green R = 0 G = 255 B = 0 W = 0
		088 ⇔ 124	+ Red R = 0-255 G = 255 B = 0 W = 0
		125	Yellow R = 255 G = 255 B = 0 W = 0
		126 ⇔ 162	- Green R = 255 G = 255-0 B = 0 W = 0
		163	Red R = 255 G = 0 B = 0 W = 0
		164 ⇔ 200	+ Blue R = 255 G = 0 B = 0-255 W = 0
		201	Magenta R = 255 G = 0 B = 255 W = 0
		202 ⇔ 238	- Red R = 255-0 G = 0 B = 255 W = 0
		239	Blue R = 0 G = 0 B = 255 W = 0
		240 ⇔ 247	Color fade, fast to slow
248 ⇔ 255	Color snap, fast to slow		
16	Background Dimmer	000 ⇔ 255	0-100%
17	Background Fine Dimmer	000 ⇔ 255	0-100%
18	Main Dimmer	000 ⇔ 255	0-100%
19	Main Fine Dimmer	000 ⇔ 255	0-100%

## QUICK REFERENCE GUIDE



EN

Channel	Function	Value	Percent/Setting
20	Ring Shutter	000 ⇄ 019	Off
		020 ⇄ 024	On
		025 ⇄ 069	Strobe, fast to slow
		070 ⇄ 089	Strobe 100–0%, fast to slow
		090 ⇄ 109	Strobe 0–100%, fast to slow
		110 ⇄ 129	Random strobe, fast to slow
		130 ⇄ 149	Random strobe 100–0%, fast to slow
		150 ⇄ 169	Random strobe 0–100%, fast to slow
		170 ⇄ 189	Pulse strobe, fast to slow
		190 ⇄ 209	Random pulse strobe, fast to slow
		210 ⇄ 229	Strobe 0–100–0%, fast to slow
		230 ⇄ 244	Random pulse strobe, fast to slow
		245 ⇄ 255	On
21	Beam Shutter	000 ⇄ 019	Off
		020 ⇄ 024	On
		025 ⇄ 069	Strobe, fast to slow
		070 ⇄ 089	Strobe 100–0%, fast to slow
		090 ⇄ 109	Strobe 0–100%, fast to slow
		110 ⇄ 129	Random strobe, fast to slow
		130 ⇄ 149	Random strobe 100–0%, fast to slow
		150 ⇄ 169	Random strobe 0–100%, fast to slow
		170 ⇄ 189	Pulse strobe, fast to slow
		190 ⇄ 209	Random pulse strobe, fast to slow
		210 ⇄ 229	Strobe 0–100–0%, fast to slow
		230 ⇄ 244	Random pulse strobe, fast to slow
		245 ⇄ 255	On
22	Zoom	000 ⇄ 255	Wide to narrow
23	Control	000 ⇄ 009	No function
		010 ⇄ 014	Blackout on Pan/Tilt
		015 ⇄ 019	Reserved for future use
		020 ⇄ 024	RGBW (additive) color mixing mode
		025 ⇄ 029	CMY (subtractive) color mixing mode
		030 ⇄ 049	Reserved for future use
		050 ⇄ 054	Pan reset
		055 ⇄ 059	Tilt reset
		060 ⇄ 064	Zoom reset
		065 ⇄ 069	Reserved for future use
		070 ⇄ 074	Reset all
		075 ⇄ 109	Reserved for future use
		110 ⇄ 114	Fast Pan/Tilt speed
		115 ⇄ 119	Slow Pan/tilt speed
		120 ⇄ 124	Slow fan mode
		125 ⇄ 129	Full fan mode
		130 ⇄ 134	Auto fan mode
		135 ⇄ 139	Fast dimmer mode
		140 ⇄ 144	Slow dimmer mode
		145 ⇄ 255	Reserved for future use
24	Main Red	000 ⇄ 255	0–100%
25	Main Fine Red	000 ⇄ 255	0–100%
26	Main Green	000 ⇄ 255	0–100%
27	Main Fine Green	000 ⇄ 255	0–100%
28	Main Blue	000 ⇄ 255	0–100%
29	Main Fine Blue	000 ⇄ 255	0–100%
30	Main White	000 ⇄ 255	0–100%
31	Main Fine White	000 ⇄ 255	0–100%

Channel	Function	Value	Percent/Setting
32	Dimmer 1	000 ⇄ 255	0–100%
33	Fine Dimmer 1	000 ⇄ 255	0–100%
34	Red 1	000 ⇄ 255	0–100%
35	Fine Red 1	000 ⇄ 255	0–100%
36	Green 1	000 ⇄ 255	0–100%
37	Fine Green 1	000 ⇄ 255	0–100%
38	Blue 1	000 ⇄ 255	0–100%
39	Fine Blue 1	000 ⇄ 255	0–100%
40	White 1	000 ⇄ 255	0–100%
41	Fine White 1	000 ⇄ 255	0–100%
42	Dimmer 2	000 ⇄ 255	0–100%
43	Fine Dimmer 2	000 ⇄ 255	0–100%
44	Red 2	000 ⇄ 255	0–100%
45	Fine Red 2	000 ⇄ 255	0–100%
46	Green 2	000 ⇄ 255	0–100%
47	Fine Green 2	000 ⇄ 255	0–100%
48	Blue 2	000 ⇄ 255	0–100%
49	Fine Blue 2	000 ⇄ 255	0–100%
50	White 2	000 ⇄ 255	0–100%
51	Fine White 2	000 ⇄ 255	0–100%
52	Dimmer 3	000 ⇄ 255	0–100%
53	Fine Dimmer 3	000 ⇄ 255	0–100%
54	Red 3	000 ⇄ 255	0–100%
55	Fine Red 3	000 ⇄ 255	0–100%
56	Green 3	000 ⇄ 255	0–100%
57	Fine Green 3	000 ⇄ 255	0–100%
58	Blue 3	000 ⇄ 255	0–100%
59	Fine Blue 3	000 ⇄ 255	0–100%
60	White 3	000 ⇄ 255	0–100%
61	Fine White 3	000 ⇄ 255	0–100%
62	Dimmer 4	000 ⇄ 255	0–100%
63	Fine Dimmer 4	000 ⇄ 255	0–100%
64	Red 4	000 ⇄ 255	0–100%
65	Fine Red 4	000 ⇄ 255	0–100%
66	Green 4	000 ⇄ 255	0–100%
67	Fine Green 4	000 ⇄ 255	0–100%
68	Blue 4	000 ⇄ 255	0–100%
69	Fine Blue 4	000 ⇄ 255	0–100%
70	White 4	000 ⇄ 255	0–100%
71	Fine White 4	000 ⇄ 255	0–100%
72	Dimmer 5	000 ⇄ 255	0–100%
73	Fine Dimmer 5	000 ⇄ 255	0–100%
74	Red 5	000 ⇄ 255	0–100%
75	Fine Red 5	000 ⇄ 255	0–100%
76	Green 5	000 ⇄ 255	0–100%
77	Fine Green 5	000 ⇄ 255	0–100%
78	Blue 5	000 ⇄ 255	0–100%
79	Fine Blue 5	000 ⇄ 255	0–100%
80	White 5	000 ⇄ 255	0–100%
81	Fine White 5	000 ⇄ 255	0–100%
82	Dimmer 6	000 ⇄ 255	0–100%
83	Fine Dimmer 6	000 ⇄ 255	0–100%
84	Red 6	000 ⇄ 255	0–100%
85	Fine Red 6	000 ⇄ 255	0–100%

## QUICK REFERENCE GUIDE



EN

Channel	Function	Value	Percent/Setting
86	Green 6	000 ⇄ 255	0–100%
87	Fine Green 6	000 ⇄ 255	0–100%
88	Blue 6	000 ⇄ 255	0–100%
89	Fine Blue 6	000 ⇄ 255	0–100%
90	White 6	000 ⇄ 255	0–100%
91	Fine White 6	000 ⇄ 255	0–100%
92	Dimmer 7	000 ⇄ 255	0–100%
93	Fine Dimmer 7	000 ⇄ 255	0–100%
94	Red 7	000 ⇄ 255	0–100%
95	Fine Red 7	000 ⇄ 255	0–100%
96	Green 7	000 ⇄ 255	0–100%
97	Fine Green 7	000 ⇄ 255	0–100%
98	Blue 7	000 ⇄ 255	0–100%
99	Fine Blue 7	000 ⇄ 255	0–100%
100	White 7	000 ⇄ 255	0–100%
101	Fine White 7	000 ⇄ 255	0–100%
102	Dimmer 8	000 ⇄ 255	0–100%
103	Fine Dimmer 8	000 ⇄ 255	0–100%
104	Red 8	000 ⇄ 255	0–100%
105	Fine Red 8	000 ⇄ 255	0–100%
106	Green 8	000 ⇄ 255	0–100%
107	Fine Green 8	000 ⇄ 255	0–100%
108	Blue 8	000 ⇄ 255	0–100%
109	Fine Blue 8	000 ⇄ 255	0–100%
110	White 8	000 ⇄ 255	0–100%
111	Fine White 8	000 ⇄ 255	0–100%
112	Dimmer 9	000 ⇄ 255	0–100%
113	Fine Dimmer 9	000 ⇄ 255	0–100%
114	Red 9	000 ⇄ 255	0–100%
115	Fine Red 9	000 ⇄ 255	0–100%
116	Green 9	000 ⇄ 255	0–100%
117	Fine Green 9	000 ⇄ 255	0–100%
118	Blue 9	000 ⇄ 255	0–100%
119	Fine Blue 9	000 ⇄ 255	0–100%
120	White 9	000 ⇄ 255	0–100%
121	Fine White 9	000 ⇄ 255	0–100%
122	Dimmer 10	000 ⇄ 255	0–100%
123	Fine Dimmer 10	000 ⇄ 255	0–100%
124	Red 10	000 ⇄ 255	0–100%
125	Fine Red 10	000 ⇄ 255	0–100%
126	Green 10	000 ⇄ 255	0–100%
127	Fine Green 10	000 ⇄ 255	0–100%
128	Blue 10	000 ⇄ 255	0–100%
129	Fine Blue 10	000 ⇄ 255	0–100%
130	White 10	000 ⇄ 255	0–100%
131	Fine White 10	000 ⇄ 255	0–100%

Single Control: Advanced Mode (113-channel)

Channel	Function	Value	Percent/Setting
1	Pan	000 ⇔ 255	0–100%
2	Pan Fine	000 ⇔ 255	0–100%
3	Tilt	000 ⇔ 255	0–100%
4	Tilt Fine	000 ⇔ 255	0–100%
5	Continuous Pan	000	No function
		001 ⇔ 127	Continuous pan, fast to slow
		128	No function
		129 ⇔ 255	Reverse continuous pan, slow to fast
6	Continuous Tilt	000	No function
		001 ⇔ 127	Continuous tilt, fast to slow
		128	No function
		129 ⇔ 255	Reverse continuous tilt, slow to fast
7	Pan/Tilt Speed	000 ⇔ 255	Fast to slow
8	CTC	000	No function
		001 ⇔ 255	Color temperature, 2800–10000 K
9	Ring Color	000	No function
		001 ⇔ 002	2700K R = 156 G = 118 B = 0 W = 63
		003 ⇔ 004	3200K R = 156 G = 141 B = 5 W = 89
		005 ⇔ 006	4200K R = 156 G = 141 B = 14 W = 255
		007 ⇔ 008	5600K R = 156 G = 207 B = 54 W = 255
		009 ⇔ 010	8000K R = 130 G = 255 B = 96 W = 255
		011	Blue R = 0 G = 0 B = 255 W = 0
		012 ⇔ 048	+ Green R = 0 G = 0–255 B = 255 W = 0
		049	Cyan R = 0 G = 255 B = 255 W = 0
		050 ⇔ 086	- Blue R = 0 G = 255 B = 255–0 W = 0
		087	Green R = 0 G = 255 B = 0 W = 0
		088 ⇔ 124	+ Red R = 0–255 G = 255 B = 0 W = 0
		125	Yellow R = 255 G = 255 B = 0 W = 0
		126 ⇔ 162	- Green R = 255 G = 255–0 B = 0 W = 0
		163	Red R = 255 G = 0 B = 0 W = 0
		164 ⇔ 200	+ Blue R = 255 G = 0 B = 0–255 W = 0
		201	Magenta R = 255 G = 0 B = 255 W = 0
		202 ⇔ 238	- Red R = 255–0 G = 0 B = 255 W = 0
		239	Blue R = 0 G = 0 B = 255 W = 0
		240 ⇔ 247	Color fade, fast to slow
248 ⇔ 255	Color snap, fast to slow		

## QUICK REFERENCE GUIDE



EN

Channel	Function	Value	Percent/Setting				
10	Beam Color	000	No function				
		001 ⇄ 002	2700K	R = 156	G = 118	B = 0	W = 63
		003 ⇄ 004	3200K	R = 156	G = 141	B = 5	W = 89
		005 ⇄ 006	4200K	R = 156	G = 141	B = 14	W = 255
		007 ⇄ 008	5600K	R = 156	G = 207	B = 54	W = 255
		009 ⇄ 010	8000K	R = 130	G = 255	B = 96	W = 255
		011	Blue	R = 0	G = 0	B = 255	W = 0
		012 ⇄ 048	+ Green	R = 0	G = 0–255	B = 255	W = 0
		049	Cyan	R = 0	G = 255	B = 255	W = 0
		050 ⇄ 086	- Blue	R = 0	G = 255	B = 255–0	W = 0
		087	Green	R = 0	G = 255	B = 0	W = 0
		088 ⇄ 124	+ Red	R = 0–255	G = 255	B = 0	W = 0
		125	Yellow	R = 255	G = 255	B = 0	W = 0
		126 ⇄ 162	- Green	R = 255	G = 255–0	B = 0	W = 0
		163	Red	R = 255	G = 0	B = 0	W = 0
		164 ⇄ 200	+ Blue	R = 255	G = 0	B = 0–255	W = 0
		201	Magenta	R = 255	G = 0	B = 255	W = 0
		202 ⇄ 238	- Red	R = 255–0	G = 0	B = 255	W = 0
		239	Blue	R = 0	G = 0	B = 255	W = 0
		240 ⇄ 247	Color fade, fast to slow				
248 ⇄ 255	Color snap, fast to slow						
11	Gobo	000	No function				
		001 ⇄ 255	Gobos (indexed)				
12	LED Macro / Auto Program	000 ⇄ 015	No function				
		016 ⇄ 135	LED macros				
		136 ⇄ 255	Auto programs				
13	LED Macro / Auto Program Speed	000 ⇄ 127	Auto speed, fast to slow				
		128	Hold				
		129 ⇄ 255	Auto speed, slow to fast				
14	LED Built-in Delay	000 ⇄ 255	Fast to slow				
15	Background Color	000	No function				
		001 ⇄ 002	2700K	R = 156	G = 118	B = 0	W = 63
		003 ⇄ 004	3200K	R = 156	G = 141	B = 5	W = 89
		005 ⇄ 006	4200K	R = 156	G = 141	B = 14	W = 255
		007 ⇄ 008	5600K	R = 156	G = 207	B = 54	W = 255
		009 ⇄ 010	8000K	R = 130	G = 255	B = 96	W = 255
		011	Blue	R = 0	G = 0	B = 255	W = 0
		012 ⇄ 048	+ Green	R = 0	G = 0–255	B = 255	W = 0
		049	Cyan	R = 0	G = 255	B = 255	W = 0
		050 ⇄ 086	- Blue	R = 0	G = 255	B = 255–0	W = 0
		087	Green	R = 0	G = 255	B = 0	W = 0
		088 ⇄ 124	+ Red	R = 0–255	G = 255	B = 0	W = 0
		125	Yellow	R = 255	G = 255	B = 0	W = 0
		126 ⇄ 162	- Green	R = 255	G = 255–0	B = 0	W = 0
		163	Red	R = 255	G = 0	B = 0	W = 0
		164 ⇄ 200	+ Blue	R = 255	G = 0	B = 0–255	W = 0
		201	Magenta	R = 255	G = 0	B = 255	W = 0
		202 ⇄ 238	- Red	R = 255–0	G = 0	B = 255	W = 0
		239	Blue	R = 0	G = 0	B = 255	W = 0
		240 ⇄ 247	Color fade, fast to slow				
248 ⇄ 255	Color snap, fast to slow						
16	Background Dimmer	000 ⇄ 255	0–100%				
17	Background Fine Dimmer	000 ⇄ 255	0–100%				
18	Ring Dimmer	000 ⇄ 255	0–100%				
19	Ring Fine Dimmer	000 ⇄ 255	0–100%				



Channel	Function	Value	Percent/Setting
20	Beam Dimmer	000 ⇄ 255	0–100%
21	Beam Fine Dimmer	000 ⇄ 255	0–100%
22	Ring Shutter	000 ⇄ 019	Off
		020 ⇄ 024	On
		025 ⇄ 069	Strobe, fast to slow
		070 ⇄ 089	Strobe 100–0%, fast to slow
		090 ⇄ 109	Strobe 0–100%, fast to slow
		110 ⇄ 129	Random strobe, fast to slow
		130 ⇄ 149	Random strobe 100–0%, fast to slow
		150 ⇄ 169	Random strobe 0–100%, fast to slow
		170 ⇄ 189	Pulse strobe, fast to slow
		190 ⇄ 209	Random pulse strobe, fast to slow
		210 ⇄ 229	Strobe 0–100–0%, fast to slow
		230 ⇄ 244	Random pulse strobe, fast to slow
245 ⇄ 255	On		
23	Beam Shutter	000 ⇄ 019	Off
		020 ⇄ 024	On
		025 ⇄ 069	Strobe, fast to slow
		070 ⇄ 089	Strobe 100–0%, fast to slow
		090 ⇄ 109	Strobe 0–100%, fast to slow
		110 ⇄ 129	Random strobe, fast to slow
		130 ⇄ 149	Random strobe 100–0%, fast to slow
		150 ⇄ 169	Random strobe 0–100%, fast to slow
		170 ⇄ 189	Pulse strobe, fast to slow
		190 ⇄ 209	Random pulse strobe, fast to slow
		210 ⇄ 229	Strobe 0–100–0%, fast to slow
		230 ⇄ 244	Random pulse strobe, fast to slow
245 ⇄ 255	On		
24	Zoom	000 ⇄ 255	Wide to narrow
25	Control	000 ⇄ 009	No function
		010 ⇄ 014	Blackout on Pan/Tilt
		015 ⇄ 019	Reserved for future use
		020 ⇄ 024	RGBW (additive) color mixing mode
		025 ⇄ 029	CMY (subtractive) color mixing mode
		030 ⇄ 049	Reserved for future use
		050 ⇄ 054	Pan reset
		055 ⇄ 059	Tilt reset
		060 ⇄ 064	Zoom reset
		065 ⇄ 069	Reserved for future use
		070 ⇄ 074	Reset all
		075 ⇄ 109	Reserved for future use
		110 ⇄ 114	Fast Pan/Tilt speed
		115 ⇄ 119	Slow Pan/tilt speed
		120 ⇄ 124	Slow fan mode
		125 ⇄ 129	Full fan mode
		130 ⇄ 134	Auto fan mode
135 ⇄ 139	Fast dimmer mode		
140 ⇄ 144	Slow dimmer mode		
145 ⇄ 255	Reserved for future use		
26	Main Red	000 ⇄ 255	0–100%
27	Main Fine Red	000 ⇄ 255	0–100%
28	Main Green	000 ⇄ 255	0–100%
29	Main Fine Green	000 ⇄ 255	0–100%
30	Main Blue	000 ⇄ 255	0–100%
31	Main Fine Blue	000 ⇄ 255	0–100%

## QUICK REFERENCE GUIDE



EN

Channel	Function	Value	Percent/Setting
32	Main White	000 ⇄ 255	0–100%
33	Main Fine White	000 ⇄ 255	0–100%
34	Red 1	000 ⇄ 255	0–100%
35	Fine Red 1	000 ⇄ 255	0–100%
36	Green 1	000 ⇄ 255	0–100%
37	Fine Green 1	000 ⇄ 255	0–100%
38	Blue 1	000 ⇄ 255	0–100%
39	Fine Blue 1	000 ⇄ 255	0–100%
40	White 1	000 ⇄ 255	0–100%
41	Fine White 1	000 ⇄ 255	0–100%
42	Red 2	000 ⇄ 255	0–100%
43	Fine Red 2	000 ⇄ 255	0–100%
44	Green 2	000 ⇄ 255	0–100%
45	Fine Green 2	000 ⇄ 255	0–100%
46	Blue 2	000 ⇄ 255	0–100%
47	Fine Blue 2	000 ⇄ 255	0–100%
48	White 2	000 ⇄ 255	0–100%
49	Fine White 2	000 ⇄ 255	0–100%
50	Red 3	000 ⇄ 255	0–100%
51	Fine Red 3	000 ⇄ 255	0–100%
52	Green 3	000 ⇄ 255	0–100%
53	Fine Green 3	000 ⇄ 255	0–100%
54	Blue 3	000 ⇄ 255	0–100%
55	Fine Blue 3	000 ⇄ 255	0–100%
56	White 3	000 ⇄ 255	0–100%
57	Fine White 3	000 ⇄ 255	0–100%
58	Red 4	000 ⇄ 255	0–100%
59	Fine Red 4	000 ⇄ 255	0–100%
60	Green 4	000 ⇄ 255	0–100%
61	Fine Green 4	000 ⇄ 255	0–100%
62	Blue 4	000 ⇄ 255	0–100%
63	Fine Blue 4	000 ⇄ 255	0–100%
64	White 4	000 ⇄ 255	0–100%
65	Fine White 4	000 ⇄ 255	0–100%
66	Red 5	000 ⇄ 255	0–100%
67	Fine Red 5	000 ⇄ 255	0–100%
68	Green 5	000 ⇄ 255	0–100%
69	Fine Green 5	000 ⇄ 255	0–100%
70	Blue 5	000 ⇄ 255	0–100%
71	Fine Blue 5	000 ⇄ 255	0–100%
72	White 5	000 ⇄ 255	0–100%
73	Fine White 5	000 ⇄ 255	0–100%
74	Red 6	000 ⇄ 255	0–100%
75	Fine Red 6	000 ⇄ 255	0–100%
76	Green 6	000 ⇄ 255	0–100%
77	Fine Green 6	000 ⇄ 255	0–100%
78	Blue 6	000 ⇄ 255	0–100%
79	Fine Blue 6	000 ⇄ 255	0–100%
80	White 6	000 ⇄ 255	0–100%
81	Fine White 6	000 ⇄ 255	0–100%
82	Red 7	000 ⇄ 255	0–100%
83	Fine Red 7	000 ⇄ 255	0–100%
84	Green 7	000 ⇄ 255	0–100%
85	Fine Green 7	000 ⇄ 255	0–100%

Channel	Function	Value	Percent/Setting
86	Blue 7	000 ⇔ 255	0–100%
87	Fine Blue 7	000 ⇔ 255	0–100%
88	White 7	000 ⇔ 255	0–100%
89	Fine White 7	000 ⇔ 255	0–100%
90	Red 8	000 ⇔ 255	0–100%
91	Fine Red 8	000 ⇔ 255	0–100%
92	Green 8	000 ⇔ 255	0–100%
93	Fine Green 8	000 ⇔ 255	0–100%
94	Blue 8	000 ⇔ 255	0–100%
95	Fine Blue 8	000 ⇔ 255	0–100%
96	White 8	000 ⇔ 255	0–100%
97	Fine White 8	000 ⇔ 255	0–100%
98	Red 9	000 ⇔ 255	0–100%
99	Fine Red 9	000 ⇔ 255	0–100%
100	Green 9	000 ⇔ 255	0–100%
101	Fine Green 9	000 ⇔ 255	0–100%
102	Blue 9	000 ⇔ 255	0–100%
103	Fine Blue 9	000 ⇔ 255	0–100%
104	White 9	000 ⇔ 255	0–100%
105	Fine White 9	000 ⇔ 255	0–100%
106	Red 10	000 ⇔ 255	0–100%
107	Fine Red 10	000 ⇔ 255	0–100%
108	Green 10	000 ⇔ 255	0–100%
109	Fine Green 10	000 ⇔ 255	0–100%
110	Blue 10	000 ⇔ 255	0–100%
111	Fine Blue 10	000 ⇔ 255	0–100%
112	White 10	000 ⇔ 255	0–100%
113	Fine White 10	000 ⇔ 255	0–100%

## QUICK REFERENCE GUIDE



EN

### Single Control: Standard Mode (66-channel)

Channel	Function	Value	Percent/Setting
1	Pan	000 ⇔ 255	0–100%
2	Pan Fine	000 ⇔ 255	0–100%
3	Tilt	000 ⇔ 255	0–100%
4	Tilt Fine	000 ⇔ 255	0–100%
5	Continuous Pan	000	No function
		001 ⇔ 127	Continuous pan, fast to slow
		128	No function
		129 ⇔ 255	Reverse continuous pan, slow to fast
6	Continuous Tilt	000	No function
		001 ⇔ 127	Continuous tilt, fast to slow
		128	No function
		129 ⇔ 255	Reverse continuous tilt, slow to fast
7	Pan/Tilt Speed	000 ⇔ 255	Fast to slow
8	CTC	000	No function
		001 ⇔ 255	Color temperature, 2800–10000 K
9	Ring Color	000	No function
		001 ⇔ 002	2700K R = 156 G = 118 B = 0 W = 63
		003 ⇔ 004	3200K R = 156 G = 141 B = 5 W = 89
		005 ⇔ 006	4200K R = 156 G = 141 B = 14 W = 255
		007 ⇔ 008	5600K R = 156 G = 207 B = 54 W = 255
		009 ⇔ 010	8000K R = 130 G = 255 B = 96 W = 255
		011	Blue R = 0 G = 0 B = 255 W = 0
		012 ⇔ 048	+ Green R = 0 G = 0–255 B = 255 W = 0
		049	Cyan R = 0 G = 255 B = 255 W = 0
		050 ⇔ 086	- Blue R = 0 G = 255 B = 255–0 W = 0
		087	Green R = 0 G = 255 B = 0 W = 0
		088 ⇔ 124	+ Red R = 0–255 G = 255 B = 0 W = 0
		125	Yellow R = 255 G = 255 B = 0 W = 0
		126 ⇔ 162	- Green R = 255 G = 255–0 B = 0 W = 0
		163	Red R = 255 G = 0 B = 0 W = 0
		164 ⇔ 200	+ Blue R = 255 G = 0 B = 0–255 W = 0
		201	Magenta R = 255 G = 0 B = 255 W = 0
		202 ⇔ 238	- Red R = 255–0 G = 0 B = 255 W = 0
		239	Blue R = 0 G = 0 B = 255 W = 0
		240 ⇔ 247	Color fade, fast to slow
248 ⇔ 255	Color snap, fast to slow		

Channel	Function	Value	Percent/Setting
<b>10</b>	<b>Beam Color</b>	000	No function
		001 ⇔ 002	2700K R = 156 G = 118 B = 0 W = 63
		003 ⇔ 004	3200K R = 156 G = 141 B = 5 W = 89
		005 ⇔ 006	4200K R = 156 G = 141 B = 14 W = 255
		007 ⇔ 008	5600K R = 156 G = 207 B = 54 W = 255
		009 ⇔ 010	8000K R = 130 G = 255 B = 96 W = 255
		011	Blue R = 0 G = 0 B = 255 W = 0
		012 ⇔ 048	+ Green R = 0 G = 0-255 B = 255 W = 0
		049	Cyan R = 0 G = 255 B = 255 W = 0
		050 ⇔ 086	- Blue R = 0 G = 255 B = 255-0 W = 0
		087	Green R = 0 G = 255 B = 0 W = 0
		088 ⇔ 124	+ Red R = 0-255 G = 255 B = 0 W = 0
		125	Yellow R = 255 G = 255 B = 0 W = 0
		126 ⇔ 162	- Green R = 255 G = 255-0 B = 0 W = 0
		163	Red R = 255 G = 0 B = 0 W = 0
		164 ⇔ 200	+ Blue R = 255 G = 0 B = 0-255 W = 0
		201	Magenta R = 255 G = 0 B = 255 W = 0
		202 ⇔ 238	- Red R = 255-0 G = 0 B = 255 W = 0
		239	Blue R = 0 G = 0 B = 255 W = 0
		240 ⇔ 247	Color fade, fast to slow
248 ⇔ 255	Color snap, fast to slow		
<b>11</b>	<b>Gobo</b>	000	No function
		001 ⇔ 255	Gobos (indexed)
<b>12</b>	<b>LED Macro / Auto Program</b>	000 ⇔ 015	No function
		016 ⇔ 135	LED macros
		136 ⇔ 255	Auto programs
<b>13</b>	<b>LED Macro / Auto Program Speed</b>	000 ⇔ 127	Auto speed, fast to slow
		128	Hold
		129 ⇔ 255	Auto speed, slow to fast
<b>14</b>	<b>LED Built-in Delay</b>	000 ⇔ 255	Fast to slow
<b>15</b>	<b>Background Color</b>	000	No function
		001 ⇔ 002	2700K R = 156 G = 118 B = 0 W = 63
		003 ⇔ 004	3200K R = 156 G = 141 B = 5 W = 89
		005 ⇔ 006	4200K R = 156 G = 141 B = 14 W = 255
		007 ⇔ 008	5600K R = 156 G = 207 B = 54 W = 255
		009 ⇔ 010	8000K R = 130 G = 255 B = 96 W = 255
		011	Blue R = 0 G = 0 B = 255 W = 0
		012 ⇔ 048	+ Green R = 0 G = 0-255 B = 255 W = 0
		049	Cyan R = 0 G = 255 B = 255 W = 0
		050 ⇔ 086	- Blue R = 0 G = 255 B = 255-0 W = 0
		087	Green R = 0 G = 255 B = 0 W = 0
		088 ⇔ 124	+ Red R = 0-255 G = 255 B = 0 W = 0
		125	Yellow R = 255 G = 255 B = 0 W = 0
		126 ⇔ 162	- Green R = 255 G = 255-0 B = 0 W = 0
		163	Red R = 255 G = 0 B = 0 W = 0
		164 ⇔ 200	+ Blue R = 255 G = 0 B = 0-255 W = 0
		201	Magenta R = 255 G = 0 B = 255 W = 0
		202 ⇔ 238	- Red R = 255-0 G = 0 B = 255 W = 0
		239	Blue R = 0 G = 0 B = 255 W = 0
		240 ⇔ 247	Color fade, fast to slow
248 ⇔ 255	Color snap, fast to slow		
<b>16</b>	<b>Background Dimmer</b>	000 ⇔ 255	0-100%
<b>17</b>	<b>Ring Dimmer</b>	000 ⇔ 255	0-100%
<b>18</b>	<b>Beam Dimmer</b>	000 ⇔ 255	0-100%

## QUICK REFERENCE GUIDE



EN

Channel	Function	Value	Percent/Setting
19	Ring Shutter	000 ⇄ 019	Off
		020 ⇄ 024	On
		025 ⇄ 069	Strobe, fast to slow
		070 ⇄ 089	Strobe 100–0%, fast to slow
		090 ⇄ 109	Strobe 0–100%, fast to slow
		110 ⇄ 129	Random strobe, fast to slow
		130 ⇄ 149	Random strobe 100–0%, fast to slow
		150 ⇄ 169	Random strobe 0–100%, fast to slow
		170 ⇄ 189	Pulse strobe, fast to slow
		190 ⇄ 209	Random pulse strobe, fast to slow
		210 ⇄ 229	Strobe 0–100–0%, fast to slow
		230 ⇄ 244	Random pulse strobe, fast to slow
		245 ⇄ 255	On
20	Beam Shutter	000 ⇄ 019	Off
		020 ⇄ 024	On
		025 ⇄ 069	Strobe, fast to slow
		070 ⇄ 089	Strobe 100–0%, fast to slow
		090 ⇄ 109	Strobe 0–100%, fast to slow
		110 ⇄ 129	Random strobe, fast to slow
		130 ⇄ 149	Random strobe 100–0%, fast to slow
		150 ⇄ 169	Random strobe 0–100%, fast to slow
		170 ⇄ 189	Pulse strobe, fast to slow
		190 ⇄ 209	Random pulse strobe, fast to slow
		210 ⇄ 229	Strobe 0–100–0%, fast to slow
		230 ⇄ 244	Random pulse strobe, fast to slow
		245 ⇄ 255	On
21	Zoom	000 ⇄ 255	Wide to narrow
22	Control	000 ⇄ 009	No function
		010 ⇄ 014	Blackout on Pan/Tilt
		015 ⇄ 019	Reserved for future use
		020 ⇄ 024	RGBW (additive) color mixing mode
		025 ⇄ 029	CMY (subtractive) color mixing mode
		030 ⇄ 049	Reserved for future use
		050 ⇄ 054	Pan reset
		055 ⇄ 059	Tilt reset
		060 ⇄ 064	Zoom reset
		065 ⇄ 069	Reserved for future use
		070 ⇄ 074	Reset all
		075 ⇄ 109	Reserved for future use
		110 ⇄ 114	Fast Pan/Tilt speed
		115 ⇄ 119	Slow Pan/tilt speed
		120 ⇄ 124	Slow fan mode
		125 ⇄ 129	Full fan mode
		130 ⇄ 134	Auto fan mode
		135 ⇄ 139	Fast dimmer mode
		140 ⇄ 144	Slow dimmer mode
		145 ⇄ 255	Reserved for future use
23	Main Red	000 ⇄ 255	0–100%
24	Main Green	000 ⇄ 255	0–100%
25	Main Blue	000 ⇄ 255	0–100%
26	Main White	000 ⇄ 255	0–100%
27	Red 1	000 ⇄ 255	0–100%
28	Green 1	000 ⇄ 255	0–100%
29	Blue 1	000 ⇄ 255	0–100%
30	White 1	000 ⇄ 255	0–100%

Channel	Function	Value	Percent/Setting
31	Red 2	000 ⇔ 255	0–100%
32	Green 2	000 ⇔ 255	0–100%
33	Blue 2	000 ⇔ 255	0–100%
34	White 2	000 ⇔ 255	0–100%
35	Red 3	000 ⇔ 255	0–100%
36	Green 3	000 ⇔ 255	0–100%
37	Blue 3	000 ⇔ 255	0–100%
38	White 3	000 ⇔ 255	0–100%
39	Red 4	000 ⇔ 255	0–100%
40	Green 4	000 ⇔ 255	0–100%
41	Blue 4	000 ⇔ 255	0–100%
42	White 4	000 ⇔ 255	0–100%
43	Red 5	000 ⇔ 255	0–100%
44	Green 5	000 ⇔ 255	0–100%
45	Blue 5	000 ⇔ 255	0–100%
46	White 5	000 ⇔ 255	0–100%
47	Red 6	000 ⇔ 255	0–100%
48	Green 6	000 ⇔ 255	0–100%
49	Blue 6	000 ⇔ 255	0–100%
50	White 6	000 ⇔ 255	0–100%
51	Red 7	000 ⇔ 255	0–100%
52	Green 7	000 ⇔ 255	0–100%
53	Blue 7	000 ⇔ 255	0–100%
54	White 7	000 ⇔ 255	0–100%
55	Red 8	000 ⇔ 255	0–100%
56	Green 8	000 ⇔ 255	0–100%
57	Blue 8	000 ⇔ 255	0–100%
58	White 8	000 ⇔ 255	0–100%
59	Red 9	000 ⇔ 255	0–100%
60	Green 9	000 ⇔ 255	0–100%
61	Blue 9	000 ⇔ 255	0–100%
62	White 9	000 ⇔ 255	0–100%
63	Red 10	000 ⇔ 255	0–100%
64	Green 10	000 ⇔ 255	0–100%
65	Blue 10	000 ⇔ 255	0–100%
66	White 10	000 ⇔ 255	0–100%

**Single Control: Basic Mode (26-channel)**

Channel	Function	Value	Percent/Setting
1	Pan	000 ⇔ 255	0–100%
2	Pan Fine	000 ⇔ 255	0–100%
3	Tilt	000 ⇔ 255	0–100%
4	Tilt Fine	000 ⇔ 255	0–100%
5	Continuous Pan	000	No function
		001 ⇔ 127	Continuous pan, fast to slow
		128	No function
		129 ⇔ 255	Reverse continuous pan, slow to fast
6	Continuous Tilt	000	No function
		001 ⇔ 127	Continuous tilt, fast to slow
		128	No function
		129 ⇔ 255	Reverse continuous tilt, slow to fast
7	Pan/Tilt Speed	000 ⇔ 255	Fast to slow
8	CTC	000	No function
		001 ⇔ 255	Color temperature, 2800–10000 K

## QUICK REFERENCE GUIDE



EN

Channel	Function	Value	Percent/Setting				
<b>9</b>	<b>Ring Color</b>	000	No function				
		001 ⇄ 002	2700K	R = 156	G = 118	B = 0	W = 63
		003 ⇄ 004	3200K	R = 156	G = 141	B = 5	W = 89
		005 ⇄ 006	4200K	R = 156	G = 141	B = 14	W = 255
		007 ⇄ 008	5600K	R = 156	G = 207	B = 54	W = 255
		009 ⇄ 010	8000K	R = 130	G = 255	B = 96	W = 255
		011	Blue	R = 0	G = 0	B = 255	W = 0
		012 ⇄ 048	+ Green	R = 0	G = 0–255	B = 255	W = 0
		049	Cyan	R = 0	G = 255	B = 255	W = 0
		050 ⇄ 086	- Blue	R = 0	G = 255	B = 255–0	W = 0
		087	Green	R = 0	G = 255	B = 0	W = 0
		088 ⇄ 124	+ Red	R = 0–255	G = 255	B = 0	W = 0
		125	Yellow	R = 255	G = 255	B = 0	W = 0
		126 ⇄ 162	- Green	R = 255	G = 255–0	B = 0	W = 0
		163	Red	R = 255	G = 0	B = 0	W = 0
		164 ⇄ 200	+ Blue	R = 255	G = 0	B = 0–255	W = 0
		201	Magenta	R = 255	G = 0	B = 255	W = 0
		202 ⇄ 238	- Red	R = 255–0	G = 0	B = 255	W = 0
		239	Blue	R = 0	G = 0	B = 255	W = 0
		240 ⇄ 247	Color fade, fast to slow				
248 ⇄ 255	Color snap, fast to slow						
<b>10</b>	<b>Beam Color</b>	000	No function				
		001 ⇄ 002	2700K	R = 156	G = 118	B = 0	W = 63
		003 ⇄ 004	3200K	R = 156	G = 141	B = 5	W = 89
		005 ⇄ 006	4200K	R = 156	G = 141	B = 14	W = 255
		007 ⇄ 008	5600K	R = 156	G = 207	B = 54	W = 255
		009 ⇄ 010	8000K	R = 130	G = 255	B = 96	W = 255
		011	Blue	R = 0	G = 0	B = 255	W = 0
		012 ⇄ 048	+ Green	R = 0	G = 0–255	B = 255	W = 0
		049	Cyan	R = 0	G = 255	B = 255	W = 0
		050 ⇄ 086	- Blue	R = 0	G = 255	B = 255–0	W = 0
		087	Green	R = 0	G = 255	B = 0	W = 0
		088 ⇄ 124	+ Red	R = 0–255	G = 255	B = 0	W = 0
		125	Yellow	R = 255	G = 255	B = 0	W = 0
		126 ⇄ 162	- Green	R = 255	G = 255–0	B = 0	W = 0
		163	Red	R = 255	G = 0	B = 0	W = 0
		164 ⇄ 200	+ Blue	R = 255	G = 0	B = 0–255	W = 0
		201	Magenta	R = 255	G = 0	B = 255	W = 0
		202 ⇄ 238	- Red	R = 255–0	G = 0	B = 255	W = 0
		239	Blue	R = 0	G = 0	B = 255	W = 0
		240 ⇄ 247	Color fade, fast to slow				
248 ⇄ 255	Color snap, fast to slow						
<b>11</b>	<b>Gobo</b>	000	No function				
		001 ⇄ 255	Gobos (indexed)				
<b>12</b>	<b>LED Macro / Auto Program</b>	000 ⇄ 015	No function				
		016 ⇄ 135	LED macros				
		136 ⇄ 255	Auto programs				
<b>13</b>	<b>LED Macro / Auto Program Speed</b>	000 ⇄ 127	Auto speed, fast to slow				
		128	Hold				
		129 ⇄ 255	Auto speed, slow to fast				
<b>14</b>	<b>LED Built-in Delay</b>	000 ⇄ 255	Fast to slow				



Channel	Function	Value	Percent/Setting
15	Background Color	000	No function
		001 ⇔ 002	2700K R = 156 G = 118 B = 0 W = 63
		003 ⇔ 004	3200K R = 156 G = 141 B = 5 W = 89
		005 ⇔ 006	4200K R = 156 G = 141 B = 14 W = 255
		007 ⇔ 008	5600K R = 156 G = 207 B = 54 W = 255
		009 ⇔ 010	8000K R = 130 G = 255 B = 96 W = 255
		011	Blue R = 0 G = 0 B = 255 W = 0
		012 ⇔ 048	+ Green R = 0 G = 0-255 B = 255 W = 0
		049	Cyan R = 0 G = 255 B = 255 W = 0
		050 ⇔ 086	- Blue R = 0 G = 255 B = 255-0 W = 0
		087	Green R = 0 G = 255 B = 0 W = 0
		088 ⇔ 124	+ Red R = 0-255 G = 255 B = 0 W = 0
		125	Yellow R = 255 G = 255 B = 0 W = 0
		126 ⇔ 162	- Green R = 255 G = 255-0 B = 0 W = 0
		163	Red R = 255 G = 0 B = 0 W = 0
		164 ⇔ 200	+ Blue R = 255 G = 0 B = 0-255 W = 0
		201	Magenta R = 255 G = 0 B = 255 W = 0
		202 ⇔ 238	- Red R = 255-0 G = 0 B = 255 W = 0
		239	Blue R = 0 G = 0 B = 255 W = 0
		240 ⇔ 247	Color fade, fast to slow
248 ⇔ 255	Color snap, fast to slow		
16	Background Dimmer	000 ⇔ 255	0-100%
17	Ring Dimmer	000 ⇔ 255	0-100%
18	Beam Dimmer	000 ⇔ 255	0-100%
19	Ring Shutter	000 ⇔ 019	Off
		020 ⇔ 024	On
		025 ⇔ 069	Strobe, fast to slow
		070 ⇔ 089	Strobe 100-0%, fast to slow
		090 ⇔ 109	Strobe 0-100%, fast to slow
		110 ⇔ 129	Random strobe, fast to slow
		130 ⇔ 149	Random strobe 100-0%, fast to slow
		150 ⇔ 169	Random strobe 0-100%, fast to slow
		170 ⇔ 189	Pulse strobe, fast to slow
		190 ⇔ 209	Random pulse strobe, fast to slow
		210 ⇔ 229	Strobe 0-100-0%, fast to slow
		230 ⇔ 244	Random pulse strobe, fast to slow
		245 ⇔ 255	On
20	Beam Shutter	000 ⇔ 019	Off
		020 ⇔ 024	On
		025 ⇔ 069	Strobe, fast to slow
		070 ⇔ 089	Strobe 100-0%, fast to slow
		090 ⇔ 109	Strobe 0-100%, fast to slow
		110 ⇔ 129	Random strobe, fast to slow
		130 ⇔ 149	Random strobe 100-0%, fast to slow
		150 ⇔ 169	Random strobe 0-100%, fast to slow
		170 ⇔ 189	Pulse strobe, fast to slow
		190 ⇔ 209	Random pulse strobe, fast to slow
		210 ⇔ 229	Strobe 0-100-0%, fast to slow
		230 ⇔ 244	Random pulse strobe, fast to slow
		245 ⇔ 255	On
21	Zoom	000 ⇔ 255	Wide to narrow

## QUICK REFERENCE GUIDE



EN

Channel	Function	Value	Percent/Setting
22	Control	000 ⇄ 009	No function
		010 ⇄ 014	Blackout on Pan/Tilt
		015 ⇄ 019	Reserved for future use
		020 ⇄ 024	RGBW (additive) color mixing mode
		025 ⇄ 029	CMY (subtractive) color mixing mode
		030 ⇄ 049	Reserved for future use
		050 ⇄ 054	Pan reset
		055 ⇄ 059	Tilt reset
		060 ⇄ 064	Zoom reset
		065 ⇄ 069	Reserved for future use
		070 ⇄ 074	Reset all
		075 ⇄ 109	Reserved for future use
		110 ⇄ 114	Fast Pan/Tilt speed
		115 ⇄ 119	Slow Pan/tilt speed
		120 ⇄ 124	Slow fan mode
		125 ⇄ 129	Full fan mode
		130 ⇄ 134	Auto fan mode
135 ⇄ 139	Fast dimmer mode		
140 ⇄ 144	Slow dimmer mode		
145 ⇄ 255	Reserved for future use		
23	Main Red	000 ⇄ 255	0–100%
24	Main Green	000 ⇄ 255	0–100%
25	Main Blue	000 ⇄ 255	0–100%
26	Main White	000 ⇄ 255	0–100%

Dual Control Values (Movement)

Dual Control: Advanced Movement Mode (41-channel)

Channel	Function	Value	Percent/Setting
1	Pan	000 ⇔ 255	0–100%
2	Pan Fine	000 ⇔ 255	0–100%
3	Tilt	000 ⇔ 255	0–100%
4	Tilt Fine	000 ⇔ 255	0–100%
5	Continuous Pan	000	No function
		001 ⇔ 127	Continuous pan, fast to slow
		128	No function
		129 ⇔ 255	Reverse continuous pan, slow to fast
6	Continuous Tilt	000	No function
		001 ⇔ 127	Continuous tilt, fast to slow
		128	No function
		129 ⇔ 255	Reverse continuous tilt, slow to fast
7	Pan/Tilt Speed	000 ⇔ 255	Fast to slow
8	CTC	000	No function
		001 ⇔ 255	Color temperature, 2800–10000 K
9	Ring Color	000	No function
		001 ⇔ 002	2700K R = 156 G = 118 B = 0 W = 63
		003 ⇔ 004	3200K R = 156 G = 141 B = 5 W = 89
		005 ⇔ 006	4200K R = 156 G = 141 B = 14 W = 255
		007 ⇔ 008	5600K R = 156 G = 207 B = 54 W = 255
		009 ⇔ 010	8000K R = 130 G = 255 B = 96 W = 255
		011	Blue R = 0 G = 0 B = 255 W = 0
		012 ⇔ 048	+ Green R = 0 G = 0–255 B = 255 W = 0
		049	Cyan R = 0 G = 255 B = 255 W = 0
		050 ⇔ 086	- Blue R = 0 G = 255 B = 255–0 W = 0
		087	Green R = 0 G = 255 B = 0 W = 0
		088 ⇔ 124	+ Red R = 0–255 G = 255 B = 0 W = 0
		125	Yellow R = 255 G = 255 B = 0 W = 0
		126 ⇔ 162	- Green R = 255 G = 255–0 B = 0 W = 0
		163	Red R = 255 G = 0 B = 0 W = 0
		164 ⇔ 200	+ Blue R = 255 G = 0 B = 0–255 W = 0
		201	Magenta R = 255 G = 0 B = 255 W = 0
		202 ⇔ 238	- Red R = 255–0 G = 0 B = 255 W = 0
		239	Blue R = 0 G = 0 B = 255 W = 0
		240 ⇔ 247	Color fade, fast to slow
248 ⇔ 255	Color snap, fast to slow		

## QUICK REFERENCE GUIDE



EN

Channel	Function	Value	Percent/Setting				
10	Beam Color	000	No function				
		001 ⇄ 002	2700K	R = 156	G = 118	B = 0	W = 63
		003 ⇄ 004	3200K	R = 156	G = 141	B = 5	W = 89
		005 ⇄ 006	4200K	R = 156	G = 141	B = 14	W = 255
		007 ⇄ 008	5600K	R = 156	G = 207	B = 54	W = 255
		009 ⇄ 010	8000K	R = 130	G = 255	B = 96	W = 255
		011	Blue	R = 0	G = 0	B = 255	W = 0
		012 ⇄ 048	+ Green	R = 0	G = 0–255	B = 255	W = 0
		049	Cyan	R = 0	G = 255	B = 255	W = 0
		050 ⇄ 086	- Blue	R = 0	G = 255	B = 255–0	W = 0
		087	Green	R = 0	G = 255	B = 0	W = 0
		088 ⇄ 124	+ Red	R = 0–255	G = 255	B = 0	W = 0
		125	Yellow	R = 255	G = 255	B = 0	W = 0
		126 ⇄ 162	- Green	R = 255	G = 255–0	B = 0	W = 0
		163	Red	R = 255	G = 0	B = 0	W = 0
		164 ⇄ 200	+ Blue	R = 255	G = 0	B = 0–255	W = 0
		201	Magenta	R = 255	G = 0	B = 255	W = 0
		202 ⇄ 238	- Red	R = 255–0	G = 0	B = 255	W = 0
		239	Blue	R = 0	G = 0	B = 255	W = 0
		240 ⇄ 247	Color fade, fast to slow				
248 ⇄ 255	Color snap, fast to slow						
11	Gobo	000	No function				
		001 ⇄ 255	Gobos (indexed)				
12	LED Macro / Auto Program	000 ⇄ 015	No function				
		016 ⇄ 135	LED macros				
		136 ⇄ 255	Auto programs				
13	LED Macro / Auto Program Speed	000 ⇄ 127	Auto speed, fast to slow				
		128	Hold				
		129 ⇄ 255	Auto speed, slow to fast				
14	LED Built-in Delay	000 ⇄ 255	Fast to slow				
15	Background Color	000	No function				
		001 ⇄ 002	2700K	R = 156	G = 118	B = 0	W = 63
		003 ⇄ 004	3200K	R = 156	G = 141	B = 5	W = 89
		005 ⇄ 006	4200K	R = 156	G = 141	B = 14	W = 255
		007 ⇄ 008	5600K	R = 156	G = 207	B = 54	W = 255
		009 ⇄ 010	8000K	R = 130	G = 255	B = 96	W = 255
		011	Blue	R = 0	G = 0	B = 255	W = 0
		012 ⇄ 048	+ Green	R = 0	G = 0–255	B = 255	W = 0
		049	Cyan	R = 0	G = 255	B = 255	W = 0
		050 ⇄ 086	- Blue	R = 0	G = 255	B = 255–0	W = 0
		087	Green	R = 0	G = 255	B = 0	W = 0
		088 ⇄ 124	+ Red	R = 0–255	G = 255	B = 0	W = 0
		125	Yellow	R = 255	G = 255	B = 0	W = 0
		126 ⇄ 162	- Green	R = 255	G = 255–0	B = 0	W = 0
		163	Red	R = 255	G = 0	B = 0	W = 0
		164 ⇄ 200	+ Blue	R = 255	G = 0	B = 0–255	W = 0
		201	Magenta	R = 255	G = 0	B = 255	W = 0
		202 ⇄ 238	- Red	R = 255–0	G = 0	B = 255	W = 0
		239	Blue	R = 0	G = 0	B = 255	W = 0
		240 ⇄ 247	Color fade, fast to slow				
248 ⇄ 255	Color snap, fast to slow						
16	Background Dimmer	000 ⇄ 255	0–100%				
17	Background Fine Dimmer	000 ⇄ 255	0–100%				
18	Ring Dimmer	000 ⇄ 255	0–100%				
19	Ring Fine Dimmer	000 ⇄ 255	0–100%				

Channel	Function	Value	Percent/Setting
20	Beam Dimmer	000 ⇄ 255	0–100%
21	Beam Fine Dimmer	000 ⇄ 255	0–100%
22	Ring Shutter	000 ⇄ 019	Off
		020 ⇄ 024	On
		025 ⇄ 069	Strobe, fast to slow
		070 ⇄ 089	Strobe 100–0%, fast to slow
		090 ⇄ 109	Strobe 0–100%, fast to slow
		110 ⇄ 129	Random strobe, fast to slow
		130 ⇄ 149	Random strobe 100–0%, fast to slow
		150 ⇄ 169	Random strobe 0–100%, fast to slow
		170 ⇄ 189	Pulse strobe, fast to slow
		190 ⇄ 209	Random pulse strobe, fast to slow
		210 ⇄ 229	Strobe 0–100–0%, fast to slow
		230 ⇄ 244	Random pulse strobe, fast to slow
245 ⇄ 255	On		
23	Beam Shutter	000 ⇄ 019	Off
		020 ⇄ 024	On
		025 ⇄ 069	Strobe, fast to slow
		070 ⇄ 089	Strobe 100–0%, fast to slow
		090 ⇄ 109	Strobe 0–100%, fast to slow
		110 ⇄ 129	Random strobe, fast to slow
		130 ⇄ 149	Random strobe 100–0%, fast to slow
		150 ⇄ 169	Random strobe 0–100%, fast to slow
		170 ⇄ 189	Pulse strobe, fast to slow
		190 ⇄ 209	Random pulse strobe, fast to slow
		210 ⇄ 229	Strobe 0–100–0%, fast to slow
		230 ⇄ 244	Random pulse strobe, fast to slow
245 ⇄ 255	On		
24	Zoom	000 ⇄ 255	Wide to narrow
25	Control	000 ⇄ 009	No function
		010 ⇄ 014	Blackout on Pan/Tilt
		015 ⇄ 019	Reserved for future use
		020 ⇄ 024	RGBW (additive) color mixing mode
		025 ⇄ 029	CMY (subtractive) color mixing mode
		030 ⇄ 049	Reserved for future use
		050 ⇄ 054	Pan reset
		055 ⇄ 059	Tilt reset
		060 ⇄ 064	Zoom reset
		065 ⇄ 069	Reserved for future use
		070 ⇄ 074	Reset all
		075 ⇄ 109	Reserved for future use
		110 ⇄ 114	Fast Pan/Tilt speed
		115 ⇄ 119	Slow Pan/tilt speed
		120 ⇄ 124	Slow fan mode
		125 ⇄ 129	Full fan mode
		130 ⇄ 134	Auto fan mode
135 ⇄ 139	Fast dimmer mode		
140 ⇄ 144	Slow dimmer mode		
145 ⇄ 255	Reserved for future use		
26	Ring Red	000 ⇄ 255	0–100%
27	Fine Ring Red	000 ⇄ 255	0–100%
28	Beam Red	000 ⇄ 255	0–100%
29	Fine Beam Red	000 ⇄ 255	0–100%
30	Ring Green	000 ⇄ 255	0–100%
31	Fine Ring Green	000 ⇄ 255	0–100%

## QUICK REFERENCE GUIDE



EN

Channel	Function	Value	Percent/Setting
32	Beam Green	000 ⇄ 255	0–100%
33	Fine Beam Green	000 ⇄ 255	0–100%
34	Ring Blue	000 ⇄ 255	0–100%
35	Fine Ring Blue	000 ⇄ 255	0–100%
36	Beam Blue	000 ⇄ 255	0–100%
37	Fine Beam Blue	000 ⇄ 255	0–100%
38	Ring White	000 ⇄ 255	0–100%
39	Fine Ring White	000 ⇄ 255	0–100%
40	Beam White	000 ⇄ 255	0–100%
41	Fine Beam White	000 ⇄ 255	0–100%

### Dual Control: Standard Movement Mode (30-channel)

Channel	Function	Value	Percent/Setting
1	Pan	000 ⇄ 255	0–100%
2	Pan Fine	000 ⇄ 255	0–100%
3	Tilt	000 ⇄ 255	0–100%
4	Tilt Fine	000 ⇄ 255	0–100%
5	Continuous Pan	000	No function
		001 ⇄ 127	Continuous pan, fast to slow
		128	No function
		129 ⇄ 255	Reverse continuous pan, slow to fast
6	Continuous Tilt	000	No function
		001 ⇄ 127	Continuous tilt, fast to slow
		128	No function
		129 ⇄ 255	Reverse continuous tilt, slow to fast
7	Pan/Tilt Speed	000 ⇄ 255	Fast to slow
8	CTC	000	No function
		001 ⇄ 255	Color temperature, 2800–10000 K
9	Ring Color	000	No function
		001 ⇄ 002	2700K R = 156 G = 118 B = 0 W = 63
		003 ⇄ 004	3200K R = 156 G = 141 B = 5 W = 89
		005 ⇄ 006	4200K R = 156 G = 141 B = 14 W = 255
		007 ⇄ 008	5600K R = 156 G = 207 B = 54 W = 255
		009 ⇄ 010	8000K R = 130 G = 255 B = 96 W = 255
		011	Blue R = 0 G = 0 B = 255 W = 0
		012 ⇄ 048	+ Green R = 0 G = 0–255 B = 255 W = 0
		049	Cyan R = 0 G = 255 B = 255 W = 0
		050 ⇄ 086	- Blue R = 0 G = 255 B = 255–0 W = 0
		087	Green R = 0 G = 255 B = 0 W = 0
		088 ⇄ 124	+ Red R = 0–255 G = 255 B = 0 W = 0
		125	Yellow R = 255 G = 255 B = 0 W = 0
		126 ⇄ 162	- Green R = 255 G = 255–0 B = 0 W = 0
		163	Red R = 255 G = 0 B = 0 W = 0
		164 ⇄ 200	+ Blue R = 255 G = 0 B = 0–255 W = 0
		201	Magenta R = 255 G = 0 B = 255 W = 0
		202 ⇄ 238	- Red R = 255–0 G = 0 B = 255 W = 0
		239	Blue R = 0 G = 0 B = 255 W = 0
		240 ⇄ 247	Color fade, fast to slow
248 ⇄ 255	Color snap, fast to slow		

Channel	Function	Value	Percent/Setting
<b>10</b>	<b>Beam Color</b>	000	No function
		001 ⇔ 002	2700K R = 156 G = 118 B = 0 W = 63
		003 ⇔ 004	3200K R = 156 G = 141 B = 5 W = 89
		005 ⇔ 006	4200K R = 156 G = 141 B = 14 W = 255
		007 ⇔ 008	5600K R = 156 G = 207 B = 54 W = 255
		009 ⇔ 010	8000K R = 130 G = 255 B = 96 W = 255
		011	Blue R = 0 G = 0 B = 255 W = 0
		012 ⇔ 048	+ Green R = 0 G = 0-255 B = 255 W = 0
		049	Cyan R = 0 G = 255 B = 255 W = 0
		050 ⇔ 086	- Blue R = 0 G = 255 B = 255-0 W = 0
		087	Green R = 0 G = 255 B = 0 W = 0
		088 ⇔ 124	+ Red R = 0-255 G = 255 B = 0 W = 0
		125	Yellow R = 255 G = 255 B = 0 W = 0
		126 ⇔ 162	- Green R = 255 G = 255-0 B = 0 W = 0
		163	Red R = 255 G = 0 B = 0 W = 0
		164 ⇔ 200	+ Blue R = 255 G = 0 B = 0-255 W = 0
		201	Magenta R = 255 G = 0 B = 255 W = 0
		202 ⇔ 238	- Red R = 255-0 G = 0 B = 255 W = 0
		239	Blue R = 0 G = 0 B = 255 W = 0
		240 ⇔ 247	Color fade, fast to slow
248 ⇔ 255	Color snap, fast to slow		
<b>11</b>	<b>Gobo</b>	000	No function
		001 ⇔ 255	Gobos (indexed)
<b>12</b>	<b>LED Macro / Auto Program</b>	000 ⇔ 015	No function
		016 ⇔ 135	LED macros
		136 ⇔ 255	Auto programs
<b>13</b>	<b>LED Macro / Auto Program Speed</b>	000 ⇔ 127	Auto speed, fast to slow
		128	Hold
		129 ⇔ 255	Auto speed, slow to fast
<b>14</b>	<b>LED Built-in Delay</b>	000 ⇔ 255	Fast to slow
<b>15</b>	<b>Background Color</b>	000	No function
		001 ⇔ 002	2700K R = 156 G = 118 B = 0 W = 63
		003 ⇔ 004	3200K R = 156 G = 141 B = 5 W = 89
		005 ⇔ 006	4200K R = 156 G = 141 B = 14 W = 255
		007 ⇔ 008	5600K R = 156 G = 207 B = 54 W = 255
		009 ⇔ 010	8000K R = 130 G = 255 B = 96 W = 255
		011	Blue R = 0 G = 0 B = 255 W = 0
		012 ⇔ 048	+ Green R = 0 G = 0-255 B = 255 W = 0
		049	Cyan R = 0 G = 255 B = 255 W = 0
		050 ⇔ 086	- Blue R = 0 G = 255 B = 255-0 W = 0
		087	Green R = 0 G = 255 B = 0 W = 0
		088 ⇔ 124	+ Red R = 0-255 G = 255 B = 0 W = 0
		125	Yellow R = 255 G = 255 B = 0 W = 0
		126 ⇔ 162	- Green R = 255 G = 255-0 B = 0 W = 0
		163	Red R = 255 G = 0 B = 0 W = 0
		164 ⇔ 200	+ Blue R = 255 G = 0 B = 0-255 W = 0
		201	Magenta R = 255 G = 0 B = 255 W = 0
		202 ⇔ 238	- Red R = 255-0 G = 0 B = 255 W = 0
		239	Blue R = 0 G = 0 B = 255 W = 0
		240 ⇔ 247	Color fade, fast to slow
248 ⇔ 255	Color snap, fast to slow		
<b>16</b>	<b>Background Dimmer</b>	000 ⇔ 255	0-100%
<b>17</b>	<b>Ring Dimmer</b>	000 ⇔ 255	0-100%
<b>18</b>	<b>Beam Dimmer</b>	000 ⇔ 255	0-100%

## QUICK REFERENCE GUIDE



EN

Channel	Function	Value	Percent/Setting
19	Ring Shutter	000 ⇄ 019	Off
		020 ⇄ 024	On
		025 ⇄ 069	Strobe, fast to slow
		070 ⇄ 089	Strobe 100–0%, fast to slow
		090 ⇄ 109	Strobe 0–100%, fast to slow
		110 ⇄ 129	Random strobe, fast to slow
		130 ⇄ 149	Random strobe 100–0%, fast to slow
		150 ⇄ 169	Random strobe 0–100%, fast to slow
		170 ⇄ 189	Pulse strobe, fast to slow
		190 ⇄ 209	Random pulse strobe, fast to slow
		210 ⇄ 229	Strobe 0–100–0%, fast to slow
		230 ⇄ 244	Random pulse strobe, fast to slow
		245 ⇄ 255	On
20	Beam Shutter	000 ⇄ 019	Off
		020 ⇄ 024	On
		025 ⇄ 069	Strobe, fast to slow
		070 ⇄ 089	Strobe 100–0%, fast to slow
		090 ⇄ 109	Strobe 0–100%, fast to slow
		110 ⇄ 129	Random strobe, fast to slow
		130 ⇄ 149	Random strobe 100–0%, fast to slow
		150 ⇄ 169	Random strobe 0–100%, fast to slow
		170 ⇄ 189	Pulse strobe, fast to slow
		190 ⇄ 209	Random pulse strobe, fast to slow
		210 ⇄ 229	Strobe 0–100–0%, fast to slow
		230 ⇄ 244	Random pulse strobe, fast to slow
		245 ⇄ 255	On
21	Zoom	000 ⇄ 255	Wide to narrow
22	Control	000 ⇄ 009	No function
		010 ⇄ 014	Blackout on Pan/Tilt
		015 ⇄ 019	Reserved for future use
		020 ⇄ 024	RGBW (additive) color mixing mode
		025 ⇄ 029	CMY (subtractive) color mixing mode
		030 ⇄ 049	Reserved for future use
		050 ⇄ 054	Pan reset
		055 ⇄ 059	Tilt reset
		060 ⇄ 064	Zoom reset
		065 ⇄ 069	Reserved for future use
		070 ⇄ 074	Reset all
		075 ⇄ 109	Reserved for future use
		110 ⇄ 114	Fast Pan/Tilt speed
		115 ⇄ 119	Slow Pan/tilt speed
		120 ⇄ 124	Slow fan mode
		125 ⇄ 129	Full fan mode
		130 ⇄ 134	Auto fan mode
		135 ⇄ 139	Fast dimmer mode
		140 ⇄ 144	Slow dimmer mode
		145 ⇄ 255	Reserved for future use
23	Ring Red	000 ⇄ 255	0–100%
24	Beam Red	000 ⇄ 255	0–100%
25	Ring Green	000 ⇄ 255	0–100%
26	Beam Green	000 ⇄ 255	0–100%
27	Ring Blue	000 ⇄ 255	0–100%
28	Beam Blue	000 ⇄ 255	0–100%
29	Ring White	000 ⇄ 255	0–100%
30	Beam White	000 ⇄ 255	0–100%



**Dual Control: Basic Movement Mode (13-channel)**

Channel	Function	Value	Percent/Setting
1	Pan	000 ⇔ 255	0–100%
2	Pan Fine	000 ⇔ 255	0–100%
3	Tilt	000 ⇔ 255	0–100%
4	Tilt Fine	000 ⇔ 255	0–100%
5	Continuous Pan	000	No function
		001 ⇔ 127	Continuous pan, fast to slow
		128	No function
		129 ⇔ 255	Reverse continuous pan, slow to fast
6	Continuous Tilt	000	No function
		001 ⇔ 127	Continuous tilt, fast to slow
		128	No function
		129 ⇔ 255	Reverse continuous tilt, slow to fast
7	Pan/Tilt Speed	000 ⇔ 255	Fast to slow
8	Ring Dimmer	000 ⇔ 255	0–100%
9	Beam Dimmer	000 ⇔ 255	0–100%
10	Ring Shutter	000 ⇔ 019	Off
		020 ⇔ 024	On
		025 ⇔ 069	Strobe, fast to slow
		070 ⇔ 089	Strobe 100–0%, fast to slow
		090 ⇔ 109	Strobe 0–100%, fast to slow
		110 ⇔ 129	Random strobe, fast to slow
		130 ⇔ 149	Random strobe 100–0%, fast to slow
		150 ⇔ 169	Random strobe 0–100%, fast to slow
		170 ⇔ 189	Pulse strobe, fast to slow
		190 ⇔ 209	Random pulse strobe, fast to slow
		210 ⇔ 229	Strobe 0–100–0%, fast to slow
		230 ⇔ 244	Random pulse strobe, fast to slow
245 ⇔ 255	On		
11	Beam Shutter	000 ⇔ 019	Off
		020 ⇔ 024	On
		025 ⇔ 069	Strobe, fast to slow
		070 ⇔ 089	Strobe 100–0%, fast to slow
		090 ⇔ 109	Strobe 0–100%, fast to slow
		110 ⇔ 129	Random strobe, fast to slow
		130 ⇔ 149	Random strobe 100–0%, fast to slow
		150 ⇔ 169	Random strobe 0–100%, fast to slow
		170 ⇔ 189	Pulse strobe, fast to slow
		190 ⇔ 209	Random pulse strobe, fast to slow
		210 ⇔ 229	Strobe 0–100–0%, fast to slow
		230 ⇔ 244	Random pulse strobe, fast to slow
245 ⇔ 255	On		
12	Zoom	000 ⇔ 255	Wide to narrow

## QUICK REFERENCE GUIDE



EN

Channel	Function	Value	Percent/Setting
<b>13</b>	<b>Control</b>	000 ⇄ 009	No function
		010 ⇄ 014	Blackout on Pan/Tilt
		015 ⇄ 019	Reserved for future use
		020 ⇄ 024	RGBW (additive) color mixing mode
		025 ⇄ 029	CMY (subtractive) color mixing mode
		030 ⇄ 049	Reserved for future use
		050 ⇄ 054	Pan reset
		055 ⇄ 059	Tilt reset
		060 ⇄ 064	Zoom reset
		065 ⇄ 069	Reserved for future use
		070 ⇄ 074	Reset all
		075 ⇄ 109	Reserved for future use
		110 ⇄ 114	Fast Pan/Tilt speed
		115 ⇄ 119	Slow Pan/tilt speed
		120 ⇄ 124	Slow fan mode
		125 ⇄ 129	Full fan mode
		130 ⇄ 134	Auto fan mode
		135 ⇄ 139	Fast dimmer mode
140 ⇄ 144	Slow dimmer mode		
145 ⇄ 255	Reserved for future use		

Dual Control Values (Pixels)

Dual Control: Advanced Pixels Mode (80-channel)

Channel	Function	Value	Percent/Setting
1	Red 1	000 ⇄ 255	0–100%
2	Fine Red 1	000 ⇄ 255	0–100%
3	Green 1	000 ⇄ 255	0–100%
4	Fine Green 1	000 ⇄ 255	0–100%
5	Blue 1	000 ⇄ 255	0–100%
6	Fine Blue 1	000 ⇄ 255	0–100%
7	White 1	000 ⇄ 255	0–100%
8	Fine White 1	000 ⇄ 255	0–100%
9	Red 2	000 ⇄ 255	0–100%
10	Fine Red 2	000 ⇄ 255	0–100%
11	Green 2	000 ⇄ 255	0–100%
12	Fine Green 2	000 ⇄ 255	0–100%
13	Blue 2	000 ⇄ 255	0–100%
14	Fine Blue 2	000 ⇄ 255	0–100%
15	White 2	000 ⇄ 255	0–100%
16	Fine White 2	000 ⇄ 255	0–100%
17	Red 3	000 ⇄ 255	0–100%
18	Fine Red 3	000 ⇄ 255	0–100%
19	Green 3	000 ⇄ 255	0–100%
20	Fine Green 3	000 ⇄ 255	0–100%
21	Blue 3	000 ⇄ 255	0–100%
22	Fine Blue 3	000 ⇄ 255	0–100%
23	White 3	000 ⇄ 255	0–100%
24	Fine White 3	000 ⇄ 255	0–100%
25	Red 4	000 ⇄ 255	0–100%
26	Fine Red 4	000 ⇄ 255	0–100%
27	Green 4	000 ⇄ 255	0–100%
28	Fine Green 4	000 ⇄ 255	0–100%
29	Blue 4	000 ⇄ 255	0–100%
30	Fine Blue 4	000 ⇄ 255	0–100%
31	White 4	000 ⇄ 255	0–100%
32	Fine White 4	000 ⇄ 255	0–100%
33	Red 5	000 ⇄ 255	0–100%
34	Fine Red 5	000 ⇄ 255	0–100%
35	Green 5	000 ⇄ 255	0–100%
36	Fine Green 5	000 ⇄ 255	0–100%
37	Blue 5	000 ⇄ 255	0–100%
38	Fine Blue 5	000 ⇄ 255	0–100%
39	White 5	000 ⇄ 255	0–100%
40	Fine White 5	000 ⇄ 255	0–100%
41	Red 6	000 ⇄ 255	0–100%
42	Fine Red 6	000 ⇄ 255	0–100%
43	Green 6	000 ⇄ 255	0–100%
44	Fine Green 6	000 ⇄ 255	0–100%
45	Blue 6	000 ⇄ 255	0–100%
46	Fine Blue 6	000 ⇄ 255	0–100%
47	White 6	000 ⇄ 255	0–100%
48	Fine White 6	000 ⇄ 255	0–100%
49	Red 7	000 ⇄ 255	0–100%
50	Fine Red 7	000 ⇄ 255	0–100%
51	Green 7	000 ⇄ 255	0–100%
52	Fine Green 7	000 ⇄ 255	0–100%

## QUICK REFERENCE GUIDE



EN

Channel	Function	Value	Percent/Setting
53	Blue 7	000 ⇄ 255	0–100%
54	Fine Blue 7	000 ⇄ 255	0–100%
55	White 7	000 ⇄ 255	0–100%
56	Fine White 7	000 ⇄ 255	0–100%
57	Red 8	000 ⇄ 255	0–100%
58	Fine Red 8	000 ⇄ 255	0–100%
59	Green 8	000 ⇄ 255	0–100%
60	Fine Green 8	000 ⇄ 255	0–100%
61	Blue 8	000 ⇄ 255	0–100%
62	Fine Blue 8	000 ⇄ 255	0–100%
63	White 8	000 ⇄ 255	0–100%
64	Fine White 8	000 ⇄ 255	0–100%
65	Red 9	000 ⇄ 255	0–100%
66	Fine Red 9	000 ⇄ 255	0–100%
67	Green 9	000 ⇄ 255	0–100%
68	Fine Green 9	000 ⇄ 255	0–100%
69	Blue 9	000 ⇄ 255	0–100%
70	Fine Blue 9	000 ⇄ 255	0–100%
71	White 9	000 ⇄ 255	0–100%
72	Fine White 9	000 ⇄ 255	0–100%
73	Red 10	000 ⇄ 255	0–100%
74	Fine Red 10	000 ⇄ 255	0–100%
75	Green 10	000 ⇄ 255	0–100%
76	Fine Green 10	000 ⇄ 255	0–100%
77	Blue 10	000 ⇄ 255	0–100%
78	Fine Blue 10	000 ⇄ 255	0–100%
79	White 10	000 ⇄ 255	0–100%
80	Fine White 10	000 ⇄ 255	0–100%

### Dual Control: Standard Pixels Mode (40-channel)

Channel	Function	Value	Percent/Setting
1	Red 1	000 ⇄ 255	0–100%
2	Green 1	000 ⇄ 255	0–100%
3	Blue 1	000 ⇄ 255	0–100%
4	White 1	000 ⇄ 255	0–100%
5	Red 2	000 ⇄ 255	0–100%
6	Green 2	000 ⇄ 255	0–100%
7	Blue 2	000 ⇄ 255	0–100%
8	White 2	000 ⇄ 255	0–100%
9	Red 3	000 ⇄ 255	0–100%
10	Green 3	000 ⇄ 255	0–100%
11	Blue 3	000 ⇄ 255	0–100%
12	White 3	000 ⇄ 255	0–100%
13	Red 4	000 ⇄ 255	0–100%
14	Green 4	000 ⇄ 255	0–100%
15	Blue 4	000 ⇄ 255	0–100%
16	White 4	000 ⇄ 255	0–100%
17	Red 5	000 ⇄ 255	0–100%
18	Green 5	000 ⇄ 255	0–100%
19	Blue 5	000 ⇄ 255	0–100%
20	White 5	000 ⇄ 255	0–100%

Channel	Function	Value	Percent/Setting
21	Red 6	000 ⇔ 255	0–100%
22	Green 6	000 ⇔ 255	0–100%
23	Blue 6	000 ⇔ 255	0–100%
24	White 6	000 ⇔ 255	0–100%
25	Red 7	000 ⇔ 255	0–100%
26	Green 7	000 ⇔ 255	0–100%
27	Blue 7	000 ⇔ 255	0–100%
28	White 7	000 ⇔ 255	0–100%
29	Red 8	000 ⇔ 255	0–100%
30	Green 8	000 ⇔ 255	0–100%
31	Blue 8	000 ⇔ 255	0–100%
32	White 8	000 ⇔ 255	0–100%
33	Red 9	000 ⇔ 255	0–100%
34	Green 9	000 ⇔ 255	0–100%
35	Blue 9	000 ⇔ 255	0–100%
36	White 9	000 ⇔ 255	0–100%
37	Red 10	000 ⇔ 255	0–100%
38	Green 10	000 ⇔ 255	0–100%
39	Blue 10	000 ⇔ 255	0–100%
40	White 10	000 ⇔ 255	0–100%

Dual Control: Basic Pixels Mode (30-channel)

Channel	Function	Value	Percent/Setting
1	Red 1	000 ⇔ 255	0–100%
2	Green 1	000 ⇔ 255	0–100%
3	Blue 1	000 ⇔ 255	0–100%
4	Red 2	000 ⇔ 255	0–100%
5	Green 2	000 ⇔ 255	0–100%
6	Blue 2	000 ⇔ 255	0–100%
7	Red 3	000 ⇔ 255	0–100%
8	Green 3	000 ⇔ 255	0–100%
9	Blue 3	000 ⇔ 255	0–100%
10	Red 4	000 ⇔ 255	0–100%
11	Green 4	000 ⇔ 255	0–100%
12	Blue 4	000 ⇔ 255	0–100%
13	Red 5	000 ⇔ 255	0–100%
14	Green 5	000 ⇔ 255	0–100%
15	Blue 5	000 ⇔ 255	0–100%
16	Red 6	000 ⇔ 255	0–100%
17	Green 6	000 ⇔ 255	0–100%
18	Blue 6	000 ⇔ 255	0–100%
19	Red 7	000 ⇔ 255	0–100%
20	Green 7	000 ⇔ 255	0–100%
21	Blue 7	000 ⇔ 255	0–100%
22	Red 8	000 ⇔ 255	0–100%
23	Green 8	000 ⇔ 255	0–100%
24	Blue 8	000 ⇔ 255	0–100%
25	Red 9	000 ⇔ 255	0–100%
26	Green 9	000 ⇔ 255	0–100%
27	Blue 9	000 ⇔ 255	0–100%
28	Red 10	000 ⇔ 255	0–100%
29	Green 10	000 ⇔ 255	0–100%
30	Blue 10	000 ⇔ 255	0–100%

## Acerca de esta Guía

La Guía de Referencia Rápida (GRR) del Maverick MK Pyxis contiene información básica sobre el producto, como conexión, montaje, opciones de menú y valores DMX. Descargue el Manual de Usuario de [www.chauvetprofessional.com](http://www.chauvetprofessional.com) para información más detallada.

## Exención de Responsabilidad

La información y especificaciones contenidas en esta GRR están sujetas a cambio sin previo aviso.

## Notas de Seguridad

Estas notas de seguridad incluyen información importante sobre el montaje, uso y mantenimiento.

- NO abra este producto. No contiene piezas reparables por el usuario.
- NO mire a la fuente de luz cuando el producto esté encendido.
- Para evitar un desgaste innecesario y alargar su vida útil, desconecte complemente el producto de la alimentación, mediante el interruptor o desenchufándolo, durante los periodos en los que no se use.
- CUIDADO: cuando transfiera el producto desde ambientes con temperatura extrema (p. ej., del remolque frío de un camión a una sala de baile con calor y humedad), puede formarse condensación en la electrónica interna del producto. Para evitar que se produzca una avería, deje que el producto se aclimate completamente al ambiente antes de conectar la alimentación.
- CUIDADO: La carcasa de este producto puede estar caliente cuando las luces están en funcionamiento.
- Monte este producto en una ubicación con ventilación adecuada, al menos a 20" (50 cm) de superficies adyacentes.
- NO deje ningún material inflamable a menos de 50 cm de este producto mientras esté funcionando o conectado a la alimentación.
- USE un cable de seguridad cuando monte este producto en lo alto.
- NO ponga en funcionamiento este producto en el exterior o en cualquier ubicación en la que el polvo, calor excesivo, agua o humedad puedan afectarlo. (IP20)
- NO ponga en funcionamiento este producto si sospecha que la carcasa, lentes o cables están dañados.
- NO conecte este producto a un atenuador o reostato.
- Conecte este producto SOLO a un circuito con toma de tierra y protegido.
- Use SOLAMENTE los soportes de montaje o las asas para mover este producto. NO lo transporte agarrando por la cabeza móvil.
- En caso de un problema grave de funcionamiento, deje de usarlo inmediatamente.
- La temperatura ambiente máxima es de 113 °F (45 °C). No haga funcionar este producto a temperaturas más altas.

## Contacto

Fuera de EE.UU, Reino Unido, Irlanda, México o Benelux, póngase en contacto con su distribuidor para solicitar asistencia o devolver el producto. Visite [www.chauvetprofessional.com](http://www.chauvetprofessional.com) para información de contacto.

## Qué va Incluido

- Maverick MK Pyxis
- Cable de alimentación Seetronic Powerkon
- 2 soportes Omega con material de montaje
- Tarjeta de Garantía
- Guía de Referencia Rápida

## Corriente Alterna

Este producto tiene una fuente de alimentación con detección automática que puede funcionar con un rango de tensión de entrada de 100–240 VCA, 50/60 Hz.

## Enchufe CA

Conexión	Cable (EE.UU)	Cable (Europa)	Color del Tornillo
CA Cargado	Negro	Marrón	Amarillo/Bronce
CA Neutro	Blanco	Azul	Plata
CA Tierra	Verde/Amarillo	Verde/Amarillo	Verde



**Para evitar un desgaste innecesario y alargar su vida útil, desconecte complemente el producto de la alimentación, mediante el interruptor o desenchufándolo, durante los periodos en los que no se use.**

## Alimentación en Cadena

Puede enlazar hasta 6 productos Maverick MK Pyxis a 120 V, 11 productos a 208 V o 12 productos a 230 V. Nunca sobrepase este número. Los cables de alimentación en cadena se pueden adquirir por separado.

## Sustitución del Fusible

1. Desconecte este producto de la alimentación.
2. Utilizando un destornillador plano, desatornille la tapa del portafusibles de la carcasa.
3. Quite el fusible fundido del portafusibles y sustitúyalo con uno nuevo del mismo tipo y categoría.
4. Vuelva a atornillar la tapa del portafusibles en su sitio y conecte de nuevo la alimentación.

## Conexiones de señal

Puede enlazar el Maverick MK Pyxis a un controlador o software controlador usando una conexión DMX, una conexión Ethernet o ambas. Si está usando otros productos compatibles con Art-Net™, sACN o Kling-Netcon, el Maverick MK Pyxis puede controlar cada uno individualmente en una sola red. Consulte el Manual de usuario para obtener información sobre cómo conectar y configurar el producto para estas señales.

## Personalidades de control

El Maverick MK Pyxis utiliza DMX, Art-Net™, sACN, WDMX y Kling-Net para sus personalidades de control:

Single Control	Dual Control Movement	Dual Control Pixels
<b>Basic</b> (26-canal)	<b>Basic</b> (13-canal)	<b>Basic</b> (30-canal)
<b>Standard</b> (66-canal)	<b>Standard</b> (30-canal)	<b>Standard</b> (40-canal)
<b>Advanced</b> (113-canal)	<b>Advanced</b> (41-canal)	<b>Advanced</b> (80-canal)
<b>Tour</b> (131-canal)		
Utiliza DMX, Art-Net™, sACN o WDMX	Utiliza DMX, Art-Net™ o sACN	Utiliza DMX, Art-Net™, sACN o Kling-Net



En el modo “Dual Control”, el protocolo de “Movement” y el protocolo de “Píxels” no pueden ser el mismo.

## Conexión DMX

El Maverick MK Pyxis funcionará con un controlador DMX usando una conexión de datos DMX de 3 o 5 pines. Hay un Manual DMX disponible en [www.chauvetprofessional.com](http://www.chauvetprofessional.com).

## Conexión Art-Net™

Art-Net™ es un protocolo Ethernet que utiliza TCP/IP para transferir gran cantidad de datos DMX512 usando una conexión etherCON RJ45 sobre una red de gran tamaño. Hay disponible un documento sobre el protocolo Art-Net™ desde [www.chauvetprofessional.com](http://www.chauvetprofessional.com). Chauvet Professional recomienda la utilización de modo Unicast para mejores resultados.

Art-Net™ diseñado y copyright por Artistic Licence Holdings Ltd.

## Conexión sACN

También conocido como ANSI E1.31, el streaming ACN es un protocolo Ethernet que usa las capas y formato de Architecture for Control Networks (arquitectura para redes de control) para transportar datos DMX512 sobre IP o cualquier otra red compatible con ACN. El mantenimiento de ACN corre a cargo de la Professional Lighting and Sound Association (Asociación de Sonido e Iluminación Profesional, PLASA).

## Conexión Kling-Net

Kling-Net es un protocolo de red que permite la autoconfiguración de los dispositivos de imagen usando una conexión Ethernet etherCON RJ45. Consulte el manual del software ArKaos para instrucciones detalladas sobre la programación de este producto.



Para un funcionamiento fluido, ArKaos Kling-Net precisa una tarjeta Ethernet a gigabit (1000 Mbps) y un router de red.



ArKaos Kling-Net solo ejecutará los modos Standard Píxels o Basic Píxels.

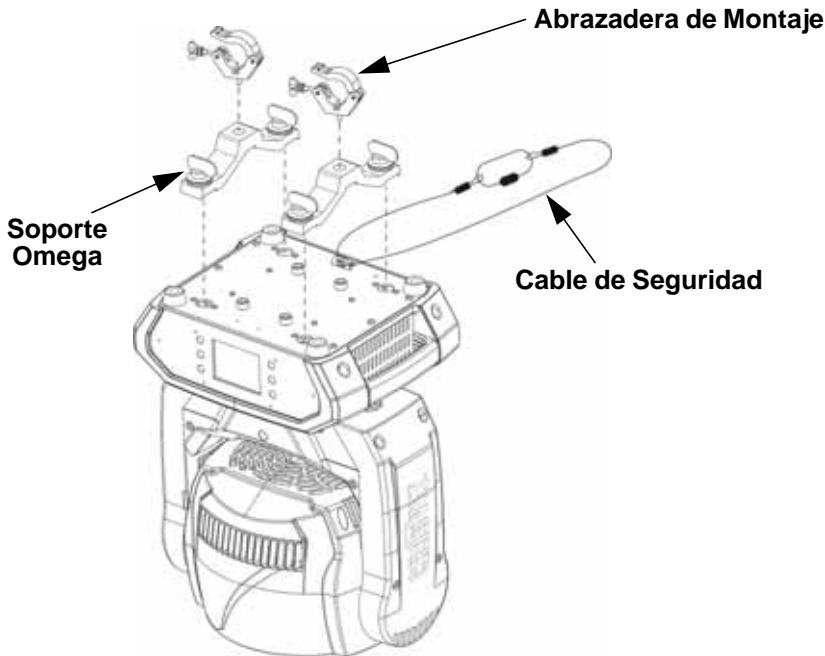
## RDM (gestión remota del dispositivo)

Remote Device Management (gestión remota del dispositivo) o RDM, es un estándar que permite a los dispositivos con capacidad DMX una comunicación bidireccional por un cableado DMX existente. El Maverick MK Pyxis admite protocolo RDM, que posibilita información para supervisar la temperatura y cambiar opciones del menú. Descargue el manual de usuario de [www.chauvetprofessional.com](http://www.chauvetprofessional.com) para una información más detallada.

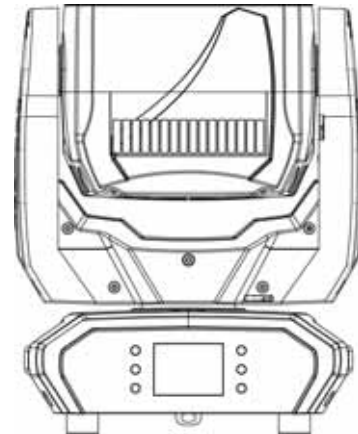
## Montaje

Antes de montar este producto, lea las [Notas de Seguridad](#). Utilice al menos dos puntos de montaje por producto. Asegúrese de que las abrazaderas de montaje son capaces de soportar el peso del producto. Para nuestra línea Chauvet de abrazaderas de montaje, visite <http://trusst.com/products>.

### Diagrama de Montaje



**Montaje en Altura**



**Montaje en el Suelo**

## Panel de control con pantalla táctil

El Maverick MK Pyxis dispone de una pantalla táctil y de 6 botones de control. La pantalla táctil se puede bloquear y calibrar a través de las opciones de **Setup** (configuración) en el menú.

### Descripción del Panel de Control

Botón	Función
< ↑ >	Navega hacia arriba por la lista de menú o aumenta el valor numérico cuando está en una función
< ≡ >	Sale del menú o función actual
< ↓ >	Navega hacia abajo por la lista de menú o disminuye el valor numérico cuando está en una función
< ← >	Navega hacia la izquierda por la lista de menú
< ↶ >	Habilita el menú actualmente en pantalla o configura el valor seleccionado actualmente dentro de la función seleccionada
< → >	Navega hacia la derecha por la lista de menú



Mapa de Menú

Niveles de Programación				Descripción		
<b>Control Settings</b>				<b>Control Settings Nivel Principal</b>		
<b>Single Control</b>	<b>DMX</b>	<b>Personality</b>	<b>Basic</b>	Configura la personalidad DMX (vea <a href="#">Personalidades de control</a> )		
			<b>Standard</b>			
			<b>Advanced</b>			
			<b>Tour</b>			
	<b>Start Address</b>	<b>0-512</b>	Configura la dirección DMX de inicio			
			<b>ArtNet</b>	<b>Personality</b>	<b>Basic</b>	Configura la personalidad Art-Net™ (vea <a href="#">Personalidades de control</a> )
					<b>Standard</b>	
					<b>Advanced</b>	
	<b>Tour</b>	<b>0-512</b>	Configura la dirección Art-Net™ de inicio			
			<b>0-255</b>	Configura el universo Art-Net™		
	<b>sACN</b>	<b>Personality</b>		<b>Basic</b>	Configura la personalidad sACN (vea <a href="#">Personalidades de control</a> )	
			<b>Standard</b>			
			<b>Advanced</b>			
			<b>Tour</b>			
	<b>Start Address</b>	<b>0-512</b>	Configura la dirección sACN de inicio			
			<b>0-255</b>	Configura el universo sACN		
<b>WDMX</b>	<b>Personality</b>	<b>Basic</b>		Configura la personalidad WDMX (vea <a href="#">Personalidades de control</a> )		
		<b>Standard</b>				
		<b>Advanced</b>				
		<b>Tour</b>				
<b>Start Address</b>	<b>0-512</b>	Configura la dirección WDMX de inicio				
		<b>DMX</b>	<b>Personality</b>	<b>Basic</b>	Configura la personalidad DMX (vea <a href="#">Personalidades de control</a> )	
<b>Standard</b>						
<b>Advanced</b>						
<b>Tour</b>						
<b>Start Address</b>	<b>0-512</b>	Configura la dirección DMX de inicio				
		<b>ArtNet</b>	<b>Personality</b>	<b>Basic</b>	Configura la personalidad Art-Net™ (vea <a href="#">Personalidades de control</a> )	
				<b>Standard</b>		
				<b>Advanced</b>		
<b>Tour</b>	<b>0-512</b>	Configura la dirección Art-Net™ de inicio				
		<b>0-255</b>	Configura el universo Art-Net™			
<b>sACN</b>	<b>Personality</b>		<b>Basic</b>	Configura la personalidad sACN (vea <a href="#">Personalidades de control</a> )		
		<b>Standard</b>				
		<b>Advanced</b>				
		<b>Tour</b>				
<b>Start Address</b>	<b>0-512</b>	Configura la dirección sACN de inicio				
		<b>0-255</b>	Configura el universo sACN			
<b>DMX</b>	<b>Personality</b>		<b>Basic</b>	Configura la personalidad DMX (vea <a href="#">Personalidades de control</a> )		
		<b>Standard</b>				
		<b>Advanced</b>				
		<b>Tour</b>				
<b>Start Address</b>	<b>0-512</b>	Configura la dirección DMX de inicio				
		<b>ArtNet</b>	<b>Personality</b>	<b>Basic</b>	Configura la personalidad Art-Net™ (vea <a href="#">Personalidades de control</a> )	
<b>Standard</b>						
<b>Advanced</b>						
<b>Tour</b>	<b>0-512</b>	Configura la dirección Art-Net™ de inicio				
		<b>0-255</b>	Configura el universo Art-Net™			
<b>sACN</b>	<b>Personality</b>		<b>Basic</b>	Configura la personalidad sACN (vea <a href="#">Personalidades de control</a> )		
		<b>Standard</b>				
		<b>Advanced</b>				
		<b>Tour</b>				
<b>Start Address</b>	<b>0-512</b>	Configura la dirección sACN de inicio				
		<b>0-255</b>	Configura el universo sACN			
<b>KlingNet</b>	<b>Personality</b>		<b>Basic</b>	Configura la personalidad Kling-Net (vea <a href="#">Personalidades de control</a> )		
		<b>Standard</b>				

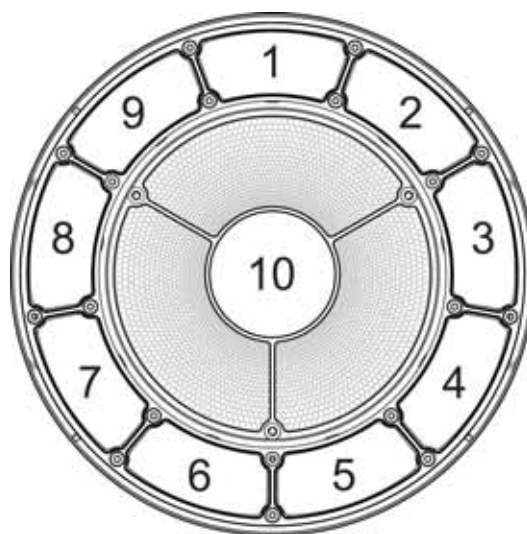
Niveles de Programación			Descripción	
<b>Test Mode</b>	<b>Test Mode</b>		<b>Test Mode Nivel Principal</b>	
	<b>Manual Test</b>	<b>Auto Test</b>		Prueba automática de todas las funciones
		Pan	<b>000–255</b>	Controlar y probar todas las funciones a través del panel de control
		Tilt		
		P/T Speed		
		Red		
		Green		
		Blue		
		White		
		CTC		
		Color		
		Pattern		
		LED Macro		
		LED Ma. Speed		
		LED Ma. Fade		
		Background		
		Background Dim.		
Dimmer				
Shutter				
Function				
Zoom				
<b>Setup</b>	<b>Setup</b>		<b>Setup Nivel Principal</b>	
	<b>Network Settings</b>	<b>Ethernet To DMX</b>	<b>NO</b>	No convertir Ethernet a DMX
			<b>YES</b>	Convertir Ethernet a salida DMX
		<b>IP Mode</b>	<b>Manual</b>	Configurar la dirección IP manualmente
			<b>DHCP</b>	La red configura la dirección IP
			<b>Static</b>	El producto configura la dirección IP
	<b>IP</b>	---	Configurar la dirección IP en modo Manual	
	<b>SubMask</b>	---	Configurar la máscara de subred en modo Manual	
	<b>Pan Reverse</b>	<b>NO</b>	Desplazamiento lateral normal	
		<b>YES</b>	Desplazamiento lateral inversa	
	<b>Tilt Reverse</b>	<b>NO</b>	Inclinación normal	
		<b>YES</b>	Inclinación inversa	
	<b>Zoom Reverse</b>	<b>NO</b>	Zoom normal	
		<b>YES</b>	Zoom invertido	
	<b>Screen Reverse</b>	<b>NO</b>	Pantalla normal	
		<b>YES</b>	Pantalla inversa	
		<b>AUTO</b>	Orientación de pantalla automático	
<b>Pan Angle</b>	<b>540</b>	Rango de desplazamiento lateral: 540°		
	<b>360</b>	Rango de desplazamiento lateral: 360°		
	<b>180</b>	Rango de desplazamiento lateral: 180°		
<b>Tilt Angle</b>	<b>270</b>	Rango de inclinación: 540°		
	<b>180</b>	Rango de inclinación: 270°		
	<b>90</b>	Rango de inclinación: 180°		
<b>BL. O. P/T Move</b>	<b>NO</b>	No blackout mientras P/T		
	<b>YES</b>	Blackout mientras P/T		
<b>Calibration</b>	<b>NO</b>	Mantener la configuración actual		
	<b>YES</b>	Calibrar la pantalla táctil		
<b>Touchscreen Lock</b>	<b>NO</b>	La pantalla responden al toque		
	<b>YES</b>	La pantalla no responde al toque		
<b>Lock Screen</b>	<b>NO</b>	Bloqueo los botones y pantalla táctil		
	<b>YES</b>	Contraseña: 0920		
<b>Swap XY</b>	<b>NO</b>	No intercambiar panorámica e inclinación		
	<b>YES</b>	Panorámica controla inclinación, y viceversa		

Niveles de Programación		Descripción	
<b>Setup (cont.)</b>		<b>Setup Nivel Principal (cont.)</b>	
<b>WDMX Reset</b>	<b>NO</b>	No restablecer WDMX	
	<b>YES</b>	Restablecer WDMX	
<b>Backlight Timer</b>	<b>30S</b>	La pantalla se apaga a los 30 segundos	
	<b>1M</b>	La pantalla se apaga al cabo de 1 minuto	
	<b>5M</b>	La pantalla se apaga al cabo de 5 minutos	
	<b>ON</b>	La pantalla permanece encendida	
<b>Loss of Data</b>	<b>Hold</b>	Mantiene la última señal recibida	
	<b>Close</b>	Pone el dispositivo en blackout	
<b>Fans</b>	<b>Auto</b>	Velocidad del ventilador según la temperatura del producto	
	<b>Full</b>	Velocidad del ventilador siempre alta	
	<b>ECO</b>	Modo silencioso	
<b>C Mixing Mode</b>	<b>RGBW</b>	Mezcla de color aditivo (0–100%)	
	<b>CMY</b>	Mezcla de color sustractivo (100%–0)	
<b>Dimmer Curve</b>	<b>Linear</b>	Configura la curva del atenuador	
	<b>Square</b>		
	<b>I Squa</b>		
	<b>SCurve</b>		
<b>Dimmer Speed</b>	<b>Smooth</b>	Cambia la velocidad del atenuador	
	<b>Fast</b>		
<b>PWM Option</b>	<b>600Hz</b>	Selecciona la frecuencia de emisión PWM	
	<b>1200Hz</b>		
	<b>2000Hz</b>		
	<b>4000Hz</b>		
	<b>6000Hz</b>		
	<b>15000Hz</b>		
<b>Color Balance</b>	<b>Red</b>	<b>100–255</b>	Configura el valor máximo del LED rojo
	<b>Green</b>		Configura el valor máximo del LED verde
	<b>Blue</b>		Configura el valor máximo del LED azul
	<b>White</b>		Configura el valor máximo del LED rojo
<b>Preset Select</b>	<b>PRESET A</b>	Opciones de menú preconfiguradas grabadas	
	<b>PRESET B</b>		
	<b>PRESET C</b>		
<b>Preset Sync</b>	<b>NO</b>	Permite transferir las opciones de menú preconfiguradas grabadas a otros Maverick MK Pyxis de la cadena DMX	
	<b>YES</b>		
<b>Reset Function</b>	<b>Pan/Tilt</b>	<b>NO</b>	Restablece las funciones individuales o todas las funciones desde el arranque
		<b>YES</b>	
	<b>Zoom</b>	<b>NO</b>	
		<b>YES</b>	
<b>All</b>	<b>NO</b>		
	<b>YES</b>		
<b>Factory Settings</b>	<b>NO</b>	Restablece el dispositivo a la configuración de fábrica	
	<b>YES</b>		

Niveles de Programación		Descripción
<b>Sys Info</b>		<b>Sys Info Nivel Principal</b>
<b>Sys Info</b>	<b>Ver</b>	<b>V_</b>
	<b>Running Mode</b>	---
	<b>Address</b>	---
	<b>Temperature</b>	---
	<b>Fixture Hours</b>	-----
	<b>Ip</b>	---.---.---.---
	<b>SubMask</b>	---.---.---.---
	<b>MAC</b>	-.-.-.-.-.-.-.-
	<b>Fan Information</b>	<b>Head Fan1 Speed</b>
	<b>Head Fan2 Speed</b>	-----
<b>Error Information</b>	<b>No Error!*</b>	Muestra cualquier error o "No Error!"

Niveles de Programación		Descripción
Sys Info (cont.)		Sys Info Nivel Principal (cont.)
Sys Info (cont.)	Channel Information	---
	Frequency	
	Pan	
	Pan Fine	
	Tilt	
	Tilt Fine	
	Pan Rotation	
	Tilt Rotation	
	P/T Speed	
	CTC	
	Color (1-2)	
	Pattern	
	LED Macro	
	LED Ma. Speed	
	LED Ma. Fine	
	Background	
	Background Dim.	
	Bg. Dim. Fine	
	Dimmer (A-B)	
	Dimmer Fine (A-B)	
	Shutter (1-2)	
	Zoom	
	Function	
	Red (todo, 1-10)	
	Red Fine (todo, 1-10)	
	Green (todo, 1-10)	
	Green fine (todo, 1-10)	
	Blue (todo, 1-10)	
	Blue Fine (todo, 1-10)	
	White (todo, 1-10)	
White Fine (todo, 1-10)		
Dimmer (1-10)		
Dimmer Fine (1-10)		
		Muestra todos los valores actuales de las señales de entrada, 000-255

Zonas para control de píxel



Valores “Single Control”

“Single Control”: Modo “Tour” (131-canal)

Canal	Función	Valor	Porcentaje/Configuración
1	Movimiento panorámico	000 ⇔ 255	0–100%
2	Movimiento panorámico fino	000 ⇔ 255	0–100%
3	Inclinación	000 ⇔ 255	0–100%
4	Inclinación fino	000 ⇔ 255	0–100%
5	Movimiento panorámico continua	000	Sin función
		001 ⇔ 127	Movimiento panorámico continua, rápido a lento
		128	Sin función
		129 ⇔ 255	Movimiento panorámico continua inverso, lento a rápido
6	Inclinación continua	000	Sin función
		001 ⇔ 127	Inclinación continua, rápido a lento
		128	Sin función
		129 ⇔ 255	Inclinación continua inverso, lento a rápido
7	Velocidad de movimiento panorámico / inclinación	000 ⇔ 255	Rápido a lento
8	CTC	000	Sin función
		001 ⇔ 255	Temperature de color, 2800–10000 K
9	Color del anillo	000	Sin función
		001 ⇔ 002	2700K R = 156 G = 118 B = 0 W = 63
		003 ⇔ 004	3200K R = 156 G = 141 B = 5 W = 89
		005 ⇔ 006	4200K R = 156 G = 141 B = 14 W = 255
		007 ⇔ 008	5600K R = 156 G = 207 B = 54 W = 255
		009 ⇔ 010	8000K R = 130 G = 255 B = 96 W = 255
		011	Azul R = 0 G = 0 B = 255 W = 0
		012 ⇔ 048	+ verde R = 0 G = 0–255 B = 255 W = 0
		049	Cyan R = 0 G = 255 B = 255 W = 0
		050 ⇔ 086	- azul R = 0 G = 255 B = 255–0 W = 0
		087	Verde R = 0 G = 255 B = 0 W = 0
		088 ⇔ 124	+ rojo R = 0–255 G = 255 B = 0 W = 0
		125	Amarillo R = 255 G = 255 B = 0 W = 0
		126 ⇔ 162	- verde R = 255 G = 255–0 B = 0 W = 0
		163	Rojo R = 255 G = 0 B = 0 W = 0
		164 ⇔ 200	+ azul R = 255 G = 0 B = 0–255 W = 0
		201	Magenta R = 255 G = 0 B = 255 W = 0
		202 ⇔ 238	- rojo R = 255–0 G = 0 B = 255 W = 0
		239	Azul R = 0 G = 0 B = 255 W = 0
		240 ⇔ 247	Cambio de color, rápido a lento
248 ⇔ 255	Salto de color, rápido a lento		

Canal	Función	Valor	Porcentaje/Configuración				
<b>10</b>	<b>Color del haz</b>	000	Sin función				
		001 ⇔ 002	2700K	R = 156	G = 118	B = 0	W = 63
		003 ⇔ 004	3200K	R = 156	G = 141	B = 5	W = 89
		005 ⇔ 006	4200K	R = 156	G = 141	B = 14	W = 255
		007 ⇔ 008	5600K	R = 156	G = 207	B = 54	W = 255
		009 ⇔ 010	8000K	R = 130	G = 255	B = 96	W = 255
		011	Azul	R = 0	G = 0	B = 255	W = 0
		012 ⇔ 048	+ verde	R = 0	G = 0-255	B = 255	W = 0
		049	Cyan	R = 0	G = 255	B = 255	W = 0
		050 ⇔ 086	- azul	R = 0	G = 255	B = 255-0	W = 0
		087	Verde	R = 0	G = 255	B = 0	W = 0
		088 ⇔ 124	+ rojo	R = 0-255	G = 255	B = 0	W = 0
		125	Amarillo	R = 255	G = 255	B = 0	W = 0
		126 ⇔ 162	- verde	R = 255	G = 255-0	B = 0	W = 0
		163	Rojo	R = 255	G = 0	B = 0	W = 0
		164 ⇔ 200	+ azul	R = 255	G = 0	B = 0-255	W = 0
		201	Magenta	R = 255	G = 0	B = 255	W = 0
		202 ⇔ 238	- rojo	R = 255-0	G = 0	B = 255	W = 0
		239	Azul	R = 0	G = 0	B = 255	W = 0
		240 ⇔ 247	Cambio de color, rápido a lento				
248 ⇔ 255	Salto de color, rápido a lento						
<b>11</b>	<b>Gobo</b>	000	Sin función				
		001 ⇔ 255	Gobos (indexado)				
<b>12</b>	<b>Macro LED / Programa automático</b>	000 ⇔ 015	Sin función				
		016 ⇔ 135	Macros LED				
		136 ⇔ 255	Programas automáticos				
<b>13</b>	<b>Velocidad Macro LED / Programa automático</b>	000 ⇔ 127	Rápido a lento				
		128	Mantener				
		129 ⇔ 255	Lento a rápido				
<b>14</b>	<b>Retardo LED integrado</b>	000 ⇔ 255	Rápido a lento				
<b>15</b>	<b>Color de fondo</b>	000	Sin función				
		001 ⇔ 002	2700K	R = 156	G = 118	B = 0	W = 63
		003 ⇔ 004	3200K	R = 156	G = 141	B = 5	W = 89
		005 ⇔ 006	4200K	R = 156	G = 141	B = 14	W = 255
		007 ⇔ 008	5600K	R = 156	G = 207	B = 54	W = 255
		009 ⇔ 010	8000K	R = 130	G = 255	B = 96	W = 255
		011	Azul	R = 0	G = 0	B = 255	W = 0
		012 ⇔ 048	+ verde	R = 0	G = 0-255	B = 255	W = 0
		049	Cyan	R = 0	G = 255	B = 255	W = 0
		050 ⇔ 086	- azul	R = 0	G = 255	B = 255-0	W = 0
		087	Verde	R = 0	G = 255	B = 0	W = 0
		088 ⇔ 124	+ rojo	R = 0-255	G = 255	B = 0	W = 0
		125	Amarillo	R = 255	G = 255	B = 0	W = 0
		126 ⇔ 162	- verde	R = 255	G = 255-0	B = 0	W = 0
		163	Rojo	R = 255	G = 0	B = 0	W = 0
		164 ⇔ 200	+ azul	R = 255	G = 0	B = 0-255	W = 0
		201	Magenta	R = 255	G = 0	B = 255	W = 0
		202 ⇔ 238	- rojo	R = 255-0	G = 0	B = 255	W = 0
		239	Azul	R = 0	G = 0	B = 255	W = 0
		240 ⇔ 247	Cambio de color, rápido a lento				
248 ⇔ 255	Salto de color, rápido a lento						
<b>16</b>	<b>Atenuador fondo</b>	000 ⇔ 255	0-100%				
<b>17</b>	<b>Atenuador fondo fino</b>	000 ⇔ 255	0-100%				
<b>18</b>	<b>Atenuador principal</b>	000 ⇔ 255	0-100%				
<b>19</b>	<b>Atenuador principal fino</b>	000 ⇔ 255	0-100%				

Canal	Función	Valor	Porcentaje/Configuración
20	Obturador del anillo	000 ⇄ 019	Apagado
		020 ⇄ 024	Encendido
		025 ⇄ 069	Estroboscopio, rápido a lento
		070 ⇄ 089	Estroboscopio 100–0%, rápido a lento
		090 ⇄ 109	Estroboscopio 0–100%, rápido a lento
		110 ⇄ 129	Estroboscopio aleatorio, rápido a lento
		130 ⇄ 149	Estroboscopio aleatorio 100–0%, rápido a lento
		150 ⇄ 169	Estroboscopio aleatorio 0–100%, rápido a lento
		170 ⇄ 189	Estroboscopio pulso, rápido a lento
		190 ⇄ 209	Estroboscopio pulso aleatorio, rápido a lento
		210 ⇄ 229	Estroboscopio 0–100–0%, rápido a lento
		230 ⇄ 244	Estroboscopio pulso aleatorio, rápido a lento
		245 ⇄ 255	Encendido
21	Obturador del haz	000 ⇄ 019	Apagado
		020 ⇄ 024	Encendido
		025 ⇄ 069	Estroboscopio, rápido a lento
		070 ⇄ 089	Estroboscopio 100–0%, rápido a lento
		090 ⇄ 109	Estroboscopio 0–100%, rápido a lento
		110 ⇄ 129	Estroboscopio aleatorio, rápido a lento
		130 ⇄ 149	Estroboscopio aleatorio 100–0%, rápido a lento
		150 ⇄ 169	Estroboscopio aleatorio 0–100%, rápido a lento
		170 ⇄ 189	Estroboscopio pulso, rápido a lento
		190 ⇄ 209	Estroboscopio pulso aleatorio, rápido a lento
		210 ⇄ 229	Estroboscopio 0–100–0%, rápido a lento
		230 ⇄ 244	Estroboscopio pulso aleatorio, rápido a lento
		245 ⇄ 255	Encendido
22	Zoom	000 ⇄ 255	Ancho a estrecho
23	Control	000 ⇄ 009	Sin función
		010 ⇄ 014	Blackout panorámica/inclinación
		015 ⇄ 019	Reservado para usos futuros
		020 ⇄ 024	Modo de mezcla de color RGBW (adición)
		025 ⇄ 029	Modo de mezcla de color CMY (sustracción)
		030 ⇄ 049	Reservado para usos futuros
		050 ⇄ 054	Reiniciar movimiento panorámico
		055 ⇄ 059	Reiniciar inclinación
		060 ⇄ 064	Restablecer zoom
		065 ⇄ 069	Reservado para usos futuros
		070 ⇄ 074	Reiniciar todo
		075 ⇄ 109	Reservado para usos futuros
		110 ⇄ 114	Velocidad alta panorámica/Inclinación
		115 ⇄ 119	Velocidad baja panorámica/Inclinación
		120 ⇄ 124	Modo de ventilador lento
		125 ⇄ 129	Modo de ventilador al máximo
		130 ⇄ 134	Modo de ventilador automático
		135 ⇄ 139	Modo de atenuador rápido
140 ⇄ 144	Modo de atenuador lento		
145 ⇄ 255	Reservado para usos futuros		
24	Rojo principal	000 ⇄ 255	0–100%
25	Rojo principal fino	000 ⇄ 255	0–100%
26	Verde principal	000 ⇄ 255	0–100%
27	Verde principal fino	000 ⇄ 255	0–100%
28	Azul principal	000 ⇄ 255	0–100%
29	Azul principal fino	000 ⇄ 255	0–100%
30	Blanco principal	000 ⇄ 255	0–100%
31	Blanco principal fino	000 ⇄ 255	0–100%



Canal	Función	Valor	Porcentaje/Configuración
32	Atenuador 1	000 ⇔ 255	0-100%
33	Atenuador fino 1	000 ⇔ 255	0-100%
34	Rojo 1	000 ⇔ 255	0-100%
35	Rojo fino 1	000 ⇔ 255	0-100%
36	Verde 1	000 ⇔ 255	0-100%
37	Verde fino 1	000 ⇔ 255	0-100%
38	Azul 1	000 ⇔ 255	0-100%
39	Azul fino 1	000 ⇔ 255	0-100%
40	Blanco 1	000 ⇔ 255	0-100%
41	Blanco fino 1	000 ⇔ 255	0-100%
42	Atenuador 2	000 ⇔ 255	0-100%
43	Atenuador fino 2	000 ⇔ 255	0-100%
44	Rojo 2	000 ⇔ 255	0-100%
45	Rojo fino 2	000 ⇔ 255	0-100%
46	Verde 2	000 ⇔ 255	0-100%
47	Verde fino 2	000 ⇔ 255	0-100%
48	Azul 2	000 ⇔ 255	0-100%
49	Azul fino 2	000 ⇔ 255	0-100%
50	Blanco 2	000 ⇔ 255	0-100%
51	Blanco fino 2	000 ⇔ 255	0-100%
52	Atenuador 3	000 ⇔ 255	0-100%
53	Atenuador fino 3	000 ⇔ 255	0-100%
54	Rojo 3	000 ⇔ 255	0-100%
55	Rojo fino 3	000 ⇔ 255	0-100%
56	Verde 3	000 ⇔ 255	0-100%
57	Verde fino 3	000 ⇔ 255	0-100%
58	Azul 3	000 ⇔ 255	0-100%
59	Azul fino 3	000 ⇔ 255	0-100%
60	Blanco 3	000 ⇔ 255	0-100%
61	Blanco fino 3	000 ⇔ 255	0-100%
62	Atenuador 4	000 ⇔ 255	0-100%
63	Atenuador fino 4	000 ⇔ 255	0-100%
64	Rojo 4	000 ⇔ 255	0-100%
65	Rojo fino 4	000 ⇔ 255	0-100%
66	Verde 4	000 ⇔ 255	0-100%
67	Verde fino 4	000 ⇔ 255	0-100%
68	Azul 4	000 ⇔ 255	0-100%
69	Azul fino 4	000 ⇔ 255	0-100%
70	Blanco 4	000 ⇔ 255	0-100%
71	Blanco fino 4	000 ⇔ 255	0-100%
72	Atenuador 5	000 ⇔ 255	0-100%
73	Atenuador fino 5	000 ⇔ 255	0-100%
74	Rojo 5	000 ⇔ 255	0-100%
75	Rojo fino 5	000 ⇔ 255	0-100%
76	Verde 5	000 ⇔ 255	0-100%
77	Verde fino 5	000 ⇔ 255	0-100%
78	Azul 5	000 ⇔ 255	0-100%
79	Azul fino 5	000 ⇔ 255	0-100%
80	Blanco 5	000 ⇔ 255	0-100%
81	Blanco fino 5	000 ⇔ 255	0-100%
82	Atenuador 6	000 ⇔ 255	0-100%
83	Atenuador fino 6	000 ⇔ 255	0-100%
84	Rojo 6	000 ⇔ 255	0-100%
85	Rojo fino 6	000 ⇔ 255	0-100%

Canal	Función	Valor	Porcentaje/Configuración
86	Verde 6	000 ⇄ 255	0–100%
87	Verde fino 6	000 ⇄ 255	0–100%
88	Azul 6	000 ⇄ 255	0–100%
89	Azul fino 6	000 ⇄ 255	0–100%
90	Blanco 6	000 ⇄ 255	0–100%
91	Blanco fino 6	000 ⇄ 255	0–100%
92	Atenuador 7	000 ⇄ 255	0–100%
93	Atenuador fino 7	000 ⇄ 255	0–100%
94	Rojo 7	000 ⇄ 255	0–100%
95	Rojo fino 7	000 ⇄ 255	0–100%
96	Verde 7	000 ⇄ 255	0–100%
97	Verde fino 7	000 ⇄ 255	0–100%
98	Azul 7	000 ⇄ 255	0–100%
99	Azul fino 7	000 ⇄ 255	0–100%
100	Blanco 7	000 ⇄ 255	0–100%
101	Blanco fino 7	000 ⇄ 255	0–100%
102	Atenuador 8	000 ⇄ 255	0–100%
103	Atenuador fino 8	000 ⇄ 255	0–100%
104	Rojo 8	000 ⇄ 255	0–100%
105	Rojo fino 8	000 ⇄ 255	0–100%
106	Verde 8	000 ⇄ 255	0–100%
107	Verde fino 8	000 ⇄ 255	0–100%
108	Azul 8	000 ⇄ 255	0–100%
109	Azul fino 8	000 ⇄ 255	0–100%
110	Blanco 8	000 ⇄ 255	0–100%
111	Blanco fino 8	000 ⇄ 255	0–100%
112	Atenuador 9	000 ⇄ 255	0–100%
113	Atenuador fino 9	000 ⇄ 255	0–100%
114	Rojo 9	000 ⇄ 255	0–100%
115	Rojo fino 9	000 ⇄ 255	0–100%
116	Verde 9	000 ⇄ 255	0–100%
117	Verde fino 9	000 ⇄ 255	0–100%
118	Azul 9	000 ⇄ 255	0–100%
119	Azul fino 9	000 ⇄ 255	0–100%
120	Blanco 9	000 ⇄ 255	0–100%
121	Blanco fino 9	000 ⇄ 255	0–100%
122	Atenuador 10	000 ⇄ 255	0–100%
123	Atenuador fino 10	000 ⇄ 255	0–100%
124	Rojo 10	000 ⇄ 255	0–100%
125	Rojo fino 10	000 ⇄ 255	0–100%
126	Verde 10	000 ⇄ 255	0–100%
127	Verde fino 10	000 ⇄ 255	0–100%
128	Azul 10	000 ⇄ 255	0–100%
129	Azul fino 10	000 ⇄ 255	0–100%
130	Blanco 10	000 ⇄ 255	0–100%
131	Blanco fino 10	000 ⇄ 255	0–100%

**“Single Control”: Modo “Advanced” (113-canal)**

Canal	Función	Valor	Porcentaje/Configuración
1	Movimiento panorámico	000 ⇔ 255	0–100%
2	Movimiento panorámico fino	000 ⇔ 255	0–100%
3	Inclinación	000 ⇔ 255	0–100%
4	Inclinación fino	000 ⇔ 255	0–100%
5	Movimiento panorámico continua	000	Sin función
		001 ⇔ 127	Movimiento panorámico continua, rápido a lento
		128	Sin función
		129 ⇔ 255	Movimiento panorámico continua inverso, lento a rápido
6	Inclinación continua	000	Sin función
		001 ⇔ 127	Inclinación continua, rápido a lento
		128	Sin función
		129 ⇔ 255	Inclinación continua inverso, lento a rápido
7	Velocidad de movimiento panorámico / inclinación	000 ⇔ 255	Rápido a lento
8	CTC	000	Sin función
		001 ⇔ 255	Temperature de color, 2800–10000 K
9	Color del anillo	000	Sin función
		001 ⇔ 002	2700K R = 156 G = 118 B = 0 W = 63
		003 ⇔ 004	3200K R = 156 G = 141 B = 5 W = 89
		005 ⇔ 006	4200K R = 156 G = 141 B = 14 W = 255
		007 ⇔ 008	5600K R = 156 G = 207 B = 54 W = 255
		009 ⇔ 010	8000K R = 130 G = 255 B = 96 W = 255
		011	Azul R = 0 G = 0 B = 255 W = 0
		012 ⇔ 048	+ verde R = 0 G = 0–255 B = 255 W = 0
		049	Cyan R = 0 G = 255 B = 255 W = 0
		050 ⇔ 086	- azul R = 0 G = 255 B = 255–0 W = 0
		087	Verde R = 0 G = 255 B = 0 W = 0
		088 ⇔ 124	+ rojo R = 0–255 G = 255 B = 0 W = 0
		125	Amarillo R = 255 G = 255 B = 0 W = 0
		126 ⇔ 162	- verde R = 255 G = 255–0 B = 0 W = 0
		163	Rojo R = 255 G = 0 B = 0 W = 0
		164 ⇔ 200	+ azul R = 255 G = 0 B = 0–255 W = 0
		201	Magenta R = 255 G = 0 B = 255 W = 0
		202 ⇔ 238	- rojo R = 255–0 G = 0 B = 255 W = 0
		239	Azul R = 0 G = 0 B = 255 W = 0
		240 ⇔ 247	Cambio de color, rápido a lento
248 ⇔ 255	Salto de color, rápido a lento		

# GUÍA DE REFERENCIA RÁPIDA



ES

Canal	Función	Valor	Porcentaje/Configuración				
<b>10</b>	<b>Color del haz</b>	000	Sin función				
		001 ⇄ 002	2700K	R = 156	G = 118	B = 0	W = 63
		003 ⇄ 004	3200K	R = 156	G = 141	B = 5	W = 89
		005 ⇄ 006	4200K	R = 156	G = 141	B = 14	W = 255
		007 ⇄ 008	5600K	R = 156	G = 207	B = 54	W = 255
		009 ⇄ 010	8000K	R = 130	G = 255	B = 96	W = 255
		011	Azul	R = 0	G = 0	B = 255	W = 0
		012 ⇄ 048	+ verde	R = 0	G = 0–255	B = 255	W = 0
		049	Cyan	R = 0	G = 255	B = 255	W = 0
		050 ⇄ 086	- azul	R = 0	G = 255	B = 255–0	W = 0
		087	Verde	R = 0	G = 255	B = 0	W = 0
		088 ⇄ 124	+ rojo	R = 0–255	G = 255	B = 0	W = 0
		125	Amarillo	R = 255	G = 255	B = 0	W = 0
		126 ⇄ 162	- verde	R = 255	G = 255–0	B = 0	W = 0
		163	Rojo	R = 255	G = 0	B = 0	W = 0
		164 ⇄ 200	+ azul	R = 255	G = 0	B = 0–255	W = 0
		201	Magenta	R = 255	G = 0	B = 255	W = 0
		202 ⇄ 238	- rojo	R = 255–0	G = 0	B = 255	W = 0
		239	Azul	R = 0	G = 0	B = 255	W = 0
		240 ⇄ 247	Cambio de color, rápido a lento				
248 ⇄ 255	Salto de color, rápido a lento						
<b>11</b>	<b>Gobo</b>	000	Sin función				
		001 ⇄ 255	Gobos (indexado)				
<b>12</b>	<b>Macro LED / Programa automático</b>	000 ⇄ 015	Sin función				
		016 ⇄ 135	Macros LED				
		136 ⇄ 255	Programas automáticos				
<b>13</b>	<b>Velocidad Macro LED / Programa automático</b>	000 ⇄ 127	Rápido a lento				
		128	Mantener				
		129 ⇄ 255	Lento a rápido				
<b>14</b>	<b>Retardo LED integrado</b>	000 ⇄ 255	Rápido a lento				
<b>15</b>	<b>Color de fondo</b>	000	Sin función				
		001 ⇄ 002	2700K	R = 156	G = 118	B = 0	W = 63
		003 ⇄ 004	3200K	R = 156	G = 141	B = 5	W = 89
		005 ⇄ 006	4200K	R = 156	G = 141	B = 14	W = 255
		007 ⇄ 008	5600K	R = 156	G = 207	B = 54	W = 255
		009 ⇄ 010	8000K	R = 130	G = 255	B = 96	W = 255
		011	Azul	R = 0	G = 0	B = 255	W = 0
		012 ⇄ 048	+ verde	R = 0	G = 0–255	B = 255	W = 0
		049	Cyan	R = 0	G = 255	B = 255	W = 0
		050 ⇄ 086	- azul	R = 0	G = 255	B = 255–0	W = 0
		087	Verde	R = 0	G = 255	B = 0	W = 0
		088 ⇄ 124	+ rojo	R = 0–255	G = 255	B = 0	W = 0
		125	Amarillo	R = 255	G = 255	B = 0	W = 0
		126 ⇄ 162	- verde	R = 255	G = 255–0	B = 0	W = 0
		163	Rojo	R = 255	G = 0	B = 0	W = 0
		164 ⇄ 200	+ azul	R = 255	G = 0	B = 0–255	W = 0
		201	Magenta	R = 255	G = 0	B = 255	W = 0
		202 ⇄ 238	- rojo	R = 255–0	G = 0	B = 255	W = 0
		239	Azul	R = 0	G = 0	B = 255	W = 0
		240 ⇄ 247	Cambio de color, rápido a lento				
248 ⇄ 255	Salto de color, rápido a lento						
<b>16</b>	<b>Atenuador fondo</b>	000 ⇄ 255	0–100%				
<b>17</b>	<b>Atenuador fondo fino</b>	000 ⇄ 255	0–100%				
<b>18</b>	<b>Atenuador del anillo</b>	000 ⇄ 255	0–100%				
<b>19</b>	<b>Atenuador del anillo fino</b>	000 ⇄ 255	0–100%				

Canal	Función	Valor	Porcentaje/Configuración
20	Atenuador del haz	000 ⇔ 255	0–100%
21	Atenuador del haz fino	000 ⇔ 255	0–100%
22	Obturador del anillo	000 ⇔ 019	Apagado
		020 ⇔ 024	Encendido
		025 ⇔ 069	Estroboscopio, rápido a lento
		070 ⇔ 089	Estroboscopio 100–0%, rápido a lento
		090 ⇔ 109	Estroboscopio 0–100%, rápido a lento
		110 ⇔ 129	Estroboscopio aleatorio, rápido a lento
		130 ⇔ 149	Estroboscopio aleatorio 100–0%, rápido a lento
		150 ⇔ 169	Estroboscopio aleatorio 0–100%, rápido a lento
		170 ⇔ 189	Estroboscopio pulso, rápido a lento
		190 ⇔ 209	Estroboscopio pulso aleatorio, rápido a lento
		210 ⇔ 229	Estroboscopio 0–100–0%, rápido a lento
		230 ⇔ 244	Estroboscopio pulso aleatorio, rápido a lento
245 ⇔ 255	Encendido		
23	Obturador del haz	000 ⇔ 019	Apagado
		020 ⇔ 024	Encendido
		025 ⇔ 069	Estroboscopio, rápido a lento
		070 ⇔ 089	Estroboscopio 100–0%, rápido a lento
		090 ⇔ 109	Estroboscopio 0–100%, rápido a lento
		110 ⇔ 129	Estroboscopio aleatorio, rápido a lento
		130 ⇔ 149	Estroboscopio aleatorio 100–0%, rápido a lento
		150 ⇔ 169	Estroboscopio aleatorio 0–100%, rápido a lento
		170 ⇔ 189	Estroboscopio pulso, rápido a lento
		190 ⇔ 209	Estroboscopio pulso aleatorio, rápido a lento
		210 ⇔ 229	Estroboscopio 0–100–0%, rápido a lento
		230 ⇔ 244	Estroboscopio pulso aleatorio, rápido a lento
245 ⇔ 255	Encendido		
24	Zoom	000 ⇔ 255	Ancho a estrecho
25	Control	000 ⇔ 009	Sin función
		010 ⇔ 014	Blackout panorámica/inclinación
		015 ⇔ 019	Reservado para usos futuros
		020 ⇔ 024	Modo de mezcla de color RGBW (adición)
		025 ⇔ 029	Modo de mezcla de color CMY (sustracción)
		030 ⇔ 049	Reservado para usos futuros
		050 ⇔ 054	Reiniciar movimiento panorámico
		055 ⇔ 059	Reiniciar inclinación
		060 ⇔ 064	Restablecer zoom
		065 ⇔ 069	Reservado para usos futuros
		070 ⇔ 074	Reiniciar todo
		075 ⇔ 109	Reservado para usos futuros
		110 ⇔ 114	Velocidad alta panorámica/Inclinación
		115 ⇔ 119	Velocidad baja panorámica/Inclinación
		120 ⇔ 124	Modo de ventilador lento
		125 ⇔ 129	Modo de ventilador al máximo
		130 ⇔ 134	Modo de ventilador automático
135 ⇔ 139	Modo de atenuador rápido		
140 ⇔ 144	Modo de atenuador lento		
145 ⇔ 255	Reservado para usos futuros		
26	Rojo principal	000 ⇔ 255	0–100%
27	Rojo principal fino	000 ⇔ 255	0–100%
28	Verde principal	000 ⇔ 255	0–100%
29	Verde principal fino	000 ⇔ 255	0–100%
30	Azul principal	000 ⇔ 255	0–100%
31	Azul principal fino	000 ⇔ 255	0–100%

Canal	Función	Valor	Porcentaje/Configuración
32	Blanco principal	000 ⇄ 255	0–100%
33	Blanco principal fino	000 ⇄ 255	0–100%
34	Rojo 1	000 ⇄ 255	0–100%
35	Rojo fino 1	000 ⇄ 255	0–100%
36	Verde 1	000 ⇄ 255	0–100%
37	Verde fino 1	000 ⇄ 255	0–100%
38	Azul 1	000 ⇄ 255	0–100%
39	Azul fino 1	000 ⇄ 255	0–100%
40	Blanco 1	000 ⇄ 255	0–100%
41	Blanco fino 1	000 ⇄ 255	0–100%
42	Rojo 2	000 ⇄ 255	0–100%
43	Rojo fino 2	000 ⇄ 255	0–100%
44	Verde 2	000 ⇄ 255	0–100%
45	Verde fino 2	000 ⇄ 255	0–100%
46	Azul 2	000 ⇄ 255	0–100%
47	Azul fino 2	000 ⇄ 255	0–100%
48	Blanco 2	000 ⇄ 255	0–100%
49	Blanco fino 2	000 ⇄ 255	0–100%
50	Rojo 3	000 ⇄ 255	0–100%
51	Rojo fino 3	000 ⇄ 255	0–100%
52	Verde 3	000 ⇄ 255	0–100%
53	Verde fino 3	000 ⇄ 255	0–100%
54	Azul 3	000 ⇄ 255	0–100%
55	Azul fino 3	000 ⇄ 255	0–100%
56	Blanco 3	000 ⇄ 255	0–100%
57	Blanco fino 3	000 ⇄ 255	0–100%
58	Rojo 4	000 ⇄ 255	0–100%
59	Rojo fino 4	000 ⇄ 255	0–100%
60	Verde 4	000 ⇄ 255	0–100%
61	Verde fino 4	000 ⇄ 255	0–100%
62	Azul 4	000 ⇄ 255	0–100%
63	Azul fino 4	000 ⇄ 255	0–100%
64	Blanco 4	000 ⇄ 255	0–100%
65	Blanco fino 4	000 ⇄ 255	0–100%
66	Rojo 5	000 ⇄ 255	0–100%
67	Rojo fino 5	000 ⇄ 255	0–100%
68	Verde 5	000 ⇄ 255	0–100%
69	Verde fino 5	000 ⇄ 255	0–100%
70	Azul 5	000 ⇄ 255	0–100%
71	Azul fino 5	000 ⇄ 255	0–100%
72	Blanco 5	000 ⇄ 255	0–100%
73	Blanco fino 5	000 ⇄ 255	0–100%
74	Rojo 6	000 ⇄ 255	0–100%
75	Rojo fino 6	000 ⇄ 255	0–100%
76	Verde 6	000 ⇄ 255	0–100%
77	Verde fino 6	000 ⇄ 255	0–100%
78	Azul 6	000 ⇄ 255	0–100%
79	Azul fino 6	000 ⇄ 255	0–100%
80	Blanco 6	000 ⇄ 255	0–100%
81	Blanco fino 6	000 ⇄ 255	0–100%
82	Rojo 7	000 ⇄ 255	0–100%
83	Rojo fino 7	000 ⇄ 255	0–100%
84	Verde 7	000 ⇄ 255	0–100%
85	Verde fino 7	000 ⇄ 255	0–100%

Canal	Función	Valor	Porcentaje/Configuración
86	Azul 7	000 ⇔ 255	0-100%
87	Azul fino 7	000 ⇔ 255	0-100%
88	Blanco 7	000 ⇔ 255	0-100%
89	Blanco fino 7	000 ⇔ 255	0-100%
90	Rojo 8	000 ⇔ 255	0-100%
91	Rojo fino 8	000 ⇔ 255	0-100%
92	Verde 8	000 ⇔ 255	0-100%
93	Verde fino 8	000 ⇔ 255	0-100%
94	Azul 8	000 ⇔ 255	0-100%
95	Azul fino 8	000 ⇔ 255	0-100%
96	Blanco 8	000 ⇔ 255	0-100%
97	Blanco fino 8	000 ⇔ 255	0-100%
98	Rojo 9	000 ⇔ 255	0-100%
99	Rojo fino 9	000 ⇔ 255	0-100%
100	Verde 9	000 ⇔ 255	0-100%
101	Verde fino 9	000 ⇔ 255	0-100%
102	Azul 9	000 ⇔ 255	0-100%
103	Azul fino 9	000 ⇔ 255	0-100%
104	Blanco 9	000 ⇔ 255	0-100%
105	Blanco fino 9	000 ⇔ 255	0-100%
106	Rojo 10	000 ⇔ 255	0-100%
107	Rojo fino 10	000 ⇔ 255	0-100%
108	Verde 10	000 ⇔ 255	0-100%
109	Verde fino 10	000 ⇔ 255	0-100%
110	Azul 10	000 ⇔ 255	0-100%
111	Azul fino 10	000 ⇔ 255	0-100%
112	Blanco 10	000 ⇔ 255	0-100%
113	Blanco fino 10	000 ⇔ 255	0-100%

“Single Control”: Modo “Standard” (66-canal)

Canal	Función	Valor	Porcentaje/Configuración
1	Movimiento panorámico	000 ⇔ 255	0–100%
2	Movimiento panorámico fino	000 ⇔ 255	0–100%
3	Inclinación	000 ⇔ 255	0–100%
4	Inclinación fino	000 ⇔ 255	0–100%
5	Movimiento panorámico continua	000	Sin función
		001 ⇔ 127	Movimiento panorámico continua, rápido a lento
		128	Sin función
		129 ⇔ 255	Movimiento panorámico continua inverso, lento a rápido
6	Inclinación continua	000	Sin función
		001 ⇔ 127	Inclinación continua, rápido a lento
		128	Sin función
		129 ⇔ 255	Inclinación continua inverso, lento a rápido
7	Velocidad de movimiento panorámico / inclinación	000 ⇔ 255	Rápido a lento
8	CTC	000	Sin función
		001 ⇔ 255	Temperature de color, 2800–10000 K
9	Color del anillo	000	Sin función
		001 ⇔ 002	2700K R = 156 G = 118 B = 0 W = 63
		003 ⇔ 004	3200K R = 156 G = 141 B = 5 W = 89
		005 ⇔ 006	4200K R = 156 G = 141 B = 14 W = 255
		007 ⇔ 008	5600K R = 156 G = 207 B = 54 W = 255
		009 ⇔ 010	8000K R = 130 G = 255 B = 96 W = 255
		011	Azul R = 0 G = 0 B = 255 W = 0
		012 ⇔ 048	+ verde R = 0 G = 0–255 B = 255 W = 0
		049	Cyan R = 0 G = 255 B = 255 W = 0
		050 ⇔ 086	- azul R = 0 G = 255 B = 255–0 W = 0
		087	Verde R = 0 G = 255 B = 0 W = 0
		088 ⇔ 124	+ rojo R = 0–255 G = 255 B = 0 W = 0
		125	Amarillo R = 255 G = 255 B = 0 W = 0
		126 ⇔ 162	- verde R = 255 G = 255–0 B = 0 W = 0
		163	Rojo R = 255 G = 0 B = 0 W = 0
		164 ⇔ 200	+ azul R = 255 G = 0 B = 0–255 W = 0
		201	Magenta R = 255 G = 0 B = 255 W = 0
		202 ⇔ 238	- rojo R = 255–0 G = 0 B = 255 W = 0
		239	Azul R = 0 G = 0 B = 255 W = 0
		240 ⇔ 247	Cambio de color, rápido a lento
248 ⇔ 255	Salto de color, rápido a lento		



Canal	Función	Valor	Porcentaje/Configuración				
<b>10</b>	<b>Color del haz</b>	000	Sin función				
		001 ⇔ 002	2700K	R = 156	G = 118	B = 0	W = 63
		003 ⇔ 004	3200K	R = 156	G = 141	B = 5	W = 89
		005 ⇔ 006	4200K	R = 156	G = 141	B = 14	W = 255
		007 ⇔ 008	5600K	R = 156	G = 207	B = 54	W = 255
		009 ⇔ 010	8000K	R = 130	G = 255	B = 96	W = 255
		011	Azul	R = 0	G = 0	B = 255	W = 0
		012 ⇔ 048	+ verde	R = 0	G = 0-255	B = 255	W = 0
		049	Cyan	R = 0	G = 255	B = 255	W = 0
		050 ⇔ 086	- azul	R = 0	G = 255	B = 255-0	W = 0
		087	Verde	R = 0	G = 255	B = 0	W = 0
		088 ⇔ 124	+ rojo	R = 0-255	G = 255	B = 0	W = 0
		125	Amarillo	R = 255	G = 255	B = 0	W = 0
		126 ⇔ 162	- verde	R = 255	G = 255-0	B = 0	W = 0
		163	Rojo	R = 255	G = 0	B = 0	W = 0
		164 ⇔ 200	+ azul	R = 255	G = 0	B = 0-255	W = 0
		201	Magenta	R = 255	G = 0	B = 255	W = 0
		202 ⇔ 238	- rojo	R = 255-0	G = 0	B = 255	W = 0
		239	Azul	R = 0	G = 0	B = 255	W = 0
		240 ⇔ 247	Cambio de color, rápido a lento				
248 ⇔ 255	Salto de color, rápido a lento						
<b>11</b>	<b>Gobo</b>	000	Sin función				
		001 ⇔ 255	Gobos (indexado)				
<b>12</b>	<b>Macro LED / Programa automático</b>	000 ⇔ 015	Sin función				
		016 ⇔ 135	Macros LED				
		136 ⇔ 255	Programas automáticos				
<b>13</b>	<b>Velocidad Macro LED / Programa automático</b>	000 ⇔ 127	Rápido a lento				
		128	Mantener				
		129 ⇔ 255	Lento a rápido				
<b>14</b>	<b>Retardo LED integrado</b>	000 ⇔ 255	Rápido a lento				
<b>15</b>	<b>Color de fondo</b>	000	Sin función				
		001 ⇔ 002	2700K	R = 156	G = 118	B = 0	W = 63
		003 ⇔ 004	3200K	R = 156	G = 141	B = 5	W = 89
		005 ⇔ 006	4200K	R = 156	G = 141	B = 14	W = 255
		007 ⇔ 008	5600K	R = 156	G = 207	B = 54	W = 255
		009 ⇔ 010	8000K	R = 130	G = 255	B = 96	W = 255
		011	Azul	R = 0	G = 0	B = 255	W = 0
		012 ⇔ 048	+ verde	R = 0	G = 0-255	B = 255	W = 0
		049	Cyan	R = 0	G = 255	B = 255	W = 0
		050 ⇔ 086	- azul	R = 0	G = 255	B = 255-0	W = 0
		087	Verde	R = 0	G = 255	B = 0	W = 0
		088 ⇔ 124	+ rojo	R = 0-255	G = 255	B = 0	W = 0
		125	Amarillo	R = 255	G = 255	B = 0	W = 0
		126 ⇔ 162	- verde	R = 255	G = 255-0	B = 0	W = 0
		163	Rojo	R = 255	G = 0	B = 0	W = 0
		164 ⇔ 200	+ azul	R = 255	G = 0	B = 0-255	W = 0
		201	Magenta	R = 255	G = 0	B = 255	W = 0
		202 ⇔ 238	- rojo	R = 255-0	G = 0	B = 255	W = 0
		239	Azul	R = 0	G = 0	B = 255	W = 0
		240 ⇔ 247	Cambio de color, rápido a lento				
248 ⇔ 255	Salto de color, rápido a lento						
<b>16</b>	<b>Atenuador fondo</b>	000 ⇔ 255	0-100%				
<b>17</b>	<b>Atenuador del anillo</b>	000 ⇔ 255	0-100%				
<b>18</b>	<b>Atenuador del haz</b>	000 ⇔ 255	0-100%				

Canal	Función	Valor	Porcentaje/Configuración
19	Obturador del anillo	000 ⇄ 019	Apagado
		020 ⇄ 024	Encendido
		025 ⇄ 069	Estroboscopio, rápido a lento
		070 ⇄ 089	Estroboscopio 100–0%, rápido a lento
		090 ⇄ 109	Estroboscopio 0–100%, rápido a lento
		110 ⇄ 129	Estroboscopio aleatorio, rápido a lento
		130 ⇄ 149	Estroboscopio aleatorio 100–0%, rápido a lento
		150 ⇄ 169	Estroboscopio aleatorio 0–100%, rápido a lento
		170 ⇄ 189	Estroboscopio pulso, rápido a lento
		190 ⇄ 209	Estroboscopio pulso aleatorio, rápido a lento
		210 ⇄ 229	Estroboscopio 0–100–0%, rápido a lento
		230 ⇄ 244	Estroboscopio pulso aleatorio, rápido a lento
		245 ⇄ 255	Encendido
20	Obturador del haz	000 ⇄ 019	Apagado
		020 ⇄ 024	Encendido
		025 ⇄ 069	Estroboscopio, rápido a lento
		070 ⇄ 089	Estroboscopio 100–0%, rápido a lento
		090 ⇄ 109	Estroboscopio 0–100%, rápido a lento
		110 ⇄ 129	Estroboscopio aleatorio, rápido a lento
		130 ⇄ 149	Estroboscopio aleatorio 100–0%, rápido a lento
		150 ⇄ 169	Estroboscopio aleatorio 0–100%, rápido a lento
		170 ⇄ 189	Estroboscopio pulso, rápido a lento
		190 ⇄ 209	Estroboscopio pulso aleatorio, rápido a lento
		210 ⇄ 229	Estroboscopio 0–100–0%, rápido a lento
		230 ⇄ 244	Estroboscopio pulso aleatorio, rápido a lento
		245 ⇄ 255	Encendido
21	Zoom	000 ⇄ 255	Ancho a estrecho
22	Control	000 ⇄ 009	Sin función
		010 ⇄ 014	Blackout panorámica/inclinación
		015 ⇄ 019	Reservado para usos futuros
		020 ⇄ 024	Modo de mezcla de color RGBW (adición)
		025 ⇄ 029	Modo de mezcla de color CMY (sustracción)
		030 ⇄ 049	Reservado para usos futuros
		050 ⇄ 054	Reiniciar movimiento panorámico
		055 ⇄ 059	Reiniciar inclinación
		060 ⇄ 064	Restablecer zoom
		065 ⇄ 069	Reservado para usos futuros
		070 ⇄ 074	Reiniciar todo
		075 ⇄ 109	Reservado para usos futuros
		110 ⇄ 114	Velocidad alta panorámica/Inclinación
		115 ⇄ 119	Velocidad baja panorámica/Inclinación
		120 ⇄ 124	Modo de ventilador lento
		125 ⇄ 129	Modo de ventilador al máximo
		130 ⇄ 134	Modo de ventilador automático
135 ⇄ 139	Modo de atenuador rápido		
140 ⇄ 144	Modo de atenuador lento		
145 ⇄ 255	Reservado para usos futuros		
23	Rojo principal	000 ⇄ 255	0–100%
24	Verde principal	000 ⇄ 255	0–100%
25	Azul principal	000 ⇄ 255	0–100%
26	Blanco principal	000 ⇄ 255	0–100%
27	Rojo 1	000 ⇄ 255	0–100%
28	Verde 1	000 ⇄ 255	0–100%
29	Azul 1	000 ⇄ 255	0–100%
30	Blanco 1	000 ⇄ 255	0–100%

Canal	Función	Valor	Porcentaje/Configuración
31	Rojo 2	000 ⇔ 255	0–100%
32	Verde 2	000 ⇔ 255	0–100%
33	Azul 2	000 ⇔ 255	0–100%
34	Blanco 2	000 ⇔ 255	0–100%
35	Rojo 3	000 ⇔ 255	0–100%
36	Verde 3	000 ⇔ 255	0–100%
37	Azul 3	000 ⇔ 255	0–100%
38	Blanco 3	000 ⇔ 255	0–100%
39	Rojo 4	000 ⇔ 255	0–100%
40	Verde 4	000 ⇔ 255	0–100%
41	Azul 4	000 ⇔ 255	0–100%
42	Blanco 4	000 ⇔ 255	0–100%
43	Rojo 5	000 ⇔ 255	0–100%
44	Verde 5	000 ⇔ 255	0–100%
45	Azul 5	000 ⇔ 255	0–100%
46	Blanco 5	000 ⇔ 255	0–100%
47	Rojo 6	000 ⇔ 255	0–100%
48	Verde 6	000 ⇔ 255	0–100%
49	Azul 6	000 ⇔ 255	0–100%
50	Blanco 6	000 ⇔ 255	0–100%
51	Rojo 7	000 ⇔ 255	0–100%
52	Verde 7	000 ⇔ 255	0–100%
53	Azul 7	000 ⇔ 255	0–100%
54	Blanco 7	000 ⇔ 255	0–100%
55	Rojo 8	000 ⇔ 255	0–100%
56	Verde 8	000 ⇔ 255	0–100%
57	Azul 8	000 ⇔ 255	0–100%
58	Blanco 8	000 ⇔ 255	0–100%
59	Rojo 9	000 ⇔ 255	0–100%
60	Verde 9	000 ⇔ 255	0–100%
61	Azul 9	000 ⇔ 255	0–100%
62	Blanco 9	000 ⇔ 255	0–100%
63	Rojo 10	000 ⇔ 255	0–100%
64	Verde 10	000 ⇔ 255	0–100%
65	Azul 10	000 ⇔ 255	0–100%
66	Blanco 10	000 ⇔ 255	0–100%

**“Single Control”: Modo “Basic” (26-canal)**

Canal	Función	Valor	Porcentaje/Configuración
1	Movimiento panorámico	000 ⇔ 255	0–100%
2	Movimiento panorámico fino	000 ⇔ 255	0–100%
3	Inclinación	000 ⇔ 255	0–100%
4	Inclinación fino	000 ⇔ 255	0–100%
5	Movimiento panorámico continua	000	Sin función
		001 ⇔ 127	Movimiento panorámico continua, rápido a lento
		128	Sin función
		129 ⇔ 255	Movimiento panorámico continua inverso, lento a rápido
6	Inclinación continua	000	Sin función
		001 ⇔ 127	Inclinación continua, rápido a lento
		128	Sin función
		129 ⇔ 255	Inclinación continua inverso, lento a rápido
7	Velocidad de movimiento panorámico / inclinación	000 ⇔ 255	Rápido a lento
8	CTC	000	Sin función
		001 ⇔ 255	Temperature de color, 2800–10000 K

Canal	Función	Valor	Porcentaje/Configuración				
9	Color del anillo	000	Sin función				
		001 ⇄ 002	2700K	R = 156	G = 118	B = 0	W = 63
		003 ⇄ 004	3200K	R = 156	G = 141	B = 5	W = 89
		005 ⇄ 006	4200K	R = 156	G = 141	B = 14	W = 255
		007 ⇄ 008	5600K	R = 156	G = 207	B = 54	W = 255
		009 ⇄ 010	8000K	R = 130	G = 255	B = 96	W = 255
		011	Azul	R = 0	G = 0	B = 255	W = 0
		012 ⇄ 048	+ verde	R = 0	G = 0-255	B = 255	W = 0
		049	Cyan	R = 0	G = 255	B = 255	W = 0
		050 ⇄ 086	- azul	R = 0	G = 255	B = 255-0	W = 0
		087	Verde	R = 0	G = 255	B = 0	W = 0
		088 ⇄ 124	+ rojo	R = 0-255	G = 255	B = 0	W = 0
		125	Amarillo	R = 255	G = 255	B = 0	W = 0
		126 ⇄ 162	- verde	R = 255	G = 255-0	B = 0	W = 0
		163	Rojo	R = 255	G = 0	B = 0	W = 0
		164 ⇄ 200	+ azul	R = 255	G = 0	B = 0-255	W = 0
		201	Magenta	R = 255	G = 0	B = 255	W = 0
		202 ⇄ 238	- rojo	R = 255-0	G = 0	B = 255	W = 0
		239	Azul	R = 0	G = 0	B = 255	W = 0
		240 ⇄ 247	Cambio de color, rápido a lento				
248 ⇄ 255	Salto de color, rápido a lento						
10	Color del haz	000	Sin función				
		001 ⇄ 002	2700K	R = 156	G = 118	B = 0	W = 63
		003 ⇄ 004	3200K	R = 156	G = 141	B = 5	W = 89
		005 ⇄ 006	4200K	R = 156	G = 141	B = 14	W = 255
		007 ⇄ 008	5600K	R = 156	G = 207	B = 54	W = 255
		009 ⇄ 010	8000K	R = 130	G = 255	B = 96	W = 255
		011	Azul	R = 0	G = 0	B = 255	W = 0
		012 ⇄ 048	+ verde	R = 0	G = 0-255	B = 255	W = 0
		049	Cyan	R = 0	G = 255	B = 255	W = 0
		050 ⇄ 086	- azul	R = 0	G = 255	B = 255-0	W = 0
		087	Verde	R = 0	G = 255	B = 0	W = 0
		088 ⇄ 124	+ rojo	R = 0-255	G = 255	B = 0	W = 0
		125	Amarillo	R = 255	G = 255	B = 0	W = 0
		126 ⇄ 162	- verde	R = 255	G = 255-0	B = 0	W = 0
		163	Rojo	R = 255	G = 0	B = 0	W = 0
		164 ⇄ 200	+ azul	R = 255	G = 0	B = 0-255	W = 0
		201	Magenta	R = 255	G = 0	B = 255	W = 0
		202 ⇄ 238	- rojo	R = 255-0	G = 0	B = 255	W = 0
		239	Azul	R = 0	G = 0	B = 255	W = 0
		240 ⇄ 247	Cambio de color, rápido a lento				
248 ⇄ 255	Salto de color, rápido a lento						
11	Gobo	000	Sin función				
		001 ⇄ 255	Gobos (indexado)				
12	Macro LED / Programa automático	000 ⇄ 015	Sin función				
		016 ⇄ 135	Macros LED				
		136 ⇄ 255	Programas automáticos				
13	Velocidad Macro LED / Programa automático	000 ⇄ 127	Rápido a lento				
		128	Mantener				
		129 ⇄ 255	Lento a rápido				
14	Retardo LED integrado	000 ⇄ 255	Rápido a lento				

Canal	Función	Valor	Porcentaje/Configuración
<b>15</b>	<b>Color de fondo</b>	000	Sin función
		001 ⇔ 002	2700K R = 156 G = 118 B = 0 W = 63
		003 ⇔ 004	3200K R = 156 G = 141 B = 5 W = 89
		005 ⇔ 006	4200K R = 156 G = 141 B = 14 W = 255
		007 ⇔ 008	5600K R = 156 G = 207 B = 54 W = 255
		009 ⇔ 010	8000K R = 130 G = 255 B = 96 W = 255
		011	Azul R = 0 G = 0 B = 255 W = 0
		012 ⇔ 048	+ verde R = 0 G = 0-255 B = 255 W = 0
		049	Cyan R = 0 G = 255 B = 255 W = 0
		050 ⇔ 086	- azul R = 0 G = 255 B = 255-0 W = 0
		087	Verde R = 0 G = 255 B = 0 W = 0
		088 ⇔ 124	+ rojo R = 0-255 G = 255 B = 0 W = 0
		125	Amarillo R = 255 G = 255 B = 0 W = 0
		126 ⇔ 162	- verde R = 255 G = 255-0 B = 0 W = 0
		163	Rojo R = 255 G = 0 B = 0 W = 0
		164 ⇔ 200	+ azul R = 255 G = 0 B = 0-255 W = 0
		201	Magenta R = 255 G = 0 B = 255 W = 0
		202 ⇔ 238	- rojo R = 255-0 G = 0 B = 255 W = 0
		239	Azul R = 0 G = 0 B = 255 W = 0
		240 ⇔ 247	Cambio de color, rápido a lento
248 ⇔ 255	Salto de color, rápido a lento		
<b>16</b>	<b>Atenuador fondo</b>	000 ⇔ 255	0-100%
<b>17</b>	<b>Atenuador del anillo</b>	000 ⇔ 255	0-100%
<b>18</b>	<b>Atenuador del haz</b>	000 ⇔ 255	0-100%
<b>19</b>	<b>Obturador del anillo</b>	000 ⇔ 019	Apagado
		020 ⇔ 024	Encendido
		025 ⇔ 069	Estroboscopio, rápido a lento
		070 ⇔ 089	Estroboscopio 100-0%, rápido a lento
		090 ⇔ 109	Estroboscopio 0-100%, rápido a lento
		110 ⇔ 129	Estroboscopio aleatorio, rápido a lento
		130 ⇔ 149	Estroboscopio aleatorio 100-0%, rápido a lento
		150 ⇔ 169	Estroboscopio aleatorio 0-100%, rápido a lento
		170 ⇔ 189	Estroboscopio pulso, rápido a lento
		190 ⇔ 209	Estroboscopio pulso aleatorio, rápido a lento
		210 ⇔ 229	Estroboscopio 0-100-0%, rápido a lento
		230 ⇔ 244	Estroboscopio pulso aleatorio, rápido a lento
		245 ⇔ 255	Encendido
<b>20</b>	<b>Obturador del haz</b>	000 ⇔ 019	Apagado
		020 ⇔ 024	Encendido
		025 ⇔ 069	Estroboscopio, rápido a lento
		070 ⇔ 089	Estroboscopio 100-0%, rápido a lento
		090 ⇔ 109	Estroboscopio 0-100%, rápido a lento
		110 ⇔ 129	Estroboscopio aleatorio, rápido a lento
		130 ⇔ 149	Estroboscopio aleatorio 100-0%, rápido a lento
		150 ⇔ 169	Estroboscopio aleatorio 0-100%, rápido a lento
		170 ⇔ 189	Estroboscopio pulso, rápido a lento
		190 ⇔ 209	Estroboscopio pulso aleatorio, rápido a lento
		210 ⇔ 229	Estroboscopio 0-100-0%, rápido a lento
230 ⇔ 244	Estroboscopio pulso aleatorio, rápido a lento		
245 ⇔ 255	Encendido		
<b>21</b>	<b>Zoom</b>	000 ⇔ 255	Ancho a estrecho

Canal	Función	Valor	Porcentaje/Configuración
22	Control	000 ⇄ 009	Sin función
		010 ⇄ 014	Blackout panorámica/inclinación
		015 ⇄ 019	Reservado para usos futuros
		020 ⇄ 024	Modo de mezcla de color RGBW (adición)
		025 ⇄ 029	Modo de mezcla de color CMY (sustracción)
		030 ⇄ 049	Reservado para usos futuros
		050 ⇄ 054	Reiniciar movimiento panorámico
		055 ⇄ 059	Reiniciar inclinación
		060 ⇄ 064	Restablecer zoom
		065 ⇄ 069	Reservado para usos futuros
		070 ⇄ 074	Reiniciar todo
		075 ⇄ 109	Reservado para usos futuros
		110 ⇄ 114	Velocidad alta panorámica/Inclinación
		115 ⇄ 119	Velocidad baja panorámica/Inclinación
		120 ⇄ 124	Modo de ventilador lento
		125 ⇄ 129	Modo de ventilador al máximo
		130 ⇄ 134	Modo de ventilador automático
135 ⇄ 139	Modo de atenuador rápido		
140 ⇄ 144	Modo de atenuador lento		
145 ⇄ 255	Reservado para usos futuros		
23	Rojo principal	000 ⇄ 255	0–100%
24	Verde principal	000 ⇄ 255	0–100%
25	Azul principal	000 ⇄ 255	0–100%
26	Blanco principal	000 ⇄ 255	0–100%

**Valores “Dual Control” (Movement)**
**“Dual Control”: Modo “Advanced Movement” (41-canal)**

Canal	Función	Valor	Porcentaje/Configuración
1	Movimiento panorámico	000 ⇔ 255	0–100%
2	Movimiento panorámico fino	000 ⇔ 255	0–100%
3	Inclinación	000 ⇔ 255	0–100%
4	Inclinación fino	000 ⇔ 255	0–100%
5	Movimiento panorámico continua	000	Sin función
		001 ⇔ 127	Movimiento panorámico continua, rápido a lento
		128	Sin función
		129 ⇔ 255	Movimiento panorámico continua inverso, lento a rápido
6	Inclinación continua	000	Sin función
		001 ⇔ 127	Inclinación continua, rápido a lento
		128	Sin función
		129 ⇔ 255	Inclinación continua inverso, lento a rápido
7	Velocidad de movimiento panorámico / inclinación	000 ⇔ 255	Rápido a lento
8	CTC	000	Sin función
		001 ⇔ 255	Temperature de color, 2800–10000 K
9	Color del anillo	000	Sin función
		001 ⇔ 002	2700K R = 156 G = 118 B = 0 W = 63
		003 ⇔ 004	3200K R = 156 G = 141 B = 5 W = 89
		005 ⇔ 006	4200K R = 156 G = 141 B = 14 W = 255
		007 ⇔ 008	5600K R = 156 G = 207 B = 54 W = 255
		009 ⇔ 010	8000K R = 130 G = 255 B = 96 W = 255
		011	Azul R = 0 G = 0 B = 255 W = 0
		012 ⇔ 048	+ verde R = 0 G = 0–255 B = 255 W = 0
		049	Cyan R = 0 G = 255 B = 255 W = 0
		050 ⇔ 086	- azul R = 0 G = 255 B = 255–0 W = 0
		087	Verde R = 0 G = 255 B = 0 W = 0
		088 ⇔ 124	+ rojo R = 0–255 G = 255 B = 0 W = 0
		125	Amarillo R = 255 G = 255 B = 0 W = 0
		126 ⇔ 162	- verde R = 255 G = 255–0 B = 0 W = 0
		163	Rojo R = 255 G = 0 B = 0 W = 0
		164 ⇔ 200	+ azul R = 255 G = 0 B = 0–255 W = 0
		201	Magenta R = 255 G = 0 B = 255 W = 0
		202 ⇔ 238	- rojo R = 255–0 G = 0 B = 255 W = 0
		239	Azul R = 0 G = 0 B = 255 W = 0
		240 ⇔ 247	Cambio de color, rápido a lento
248 ⇔ 255	Salto de color, rápido a lento		

# GUÍA DE REFERENCIA RÁPIDA



ES

Canal	Función	Valor	Porcentaje/Configuración				
10	Color del haz	000	Sin función				
		001 ⇄ 002	2700K	R = 156	G = 118	B = 0	W = 63
		003 ⇄ 004	3200K	R = 156	G = 141	B = 5	W = 89
		005 ⇄ 006	4200K	R = 156	G = 141	B = 14	W = 255
		007 ⇄ 008	5600K	R = 156	G = 207	B = 54	W = 255
		009 ⇄ 010	8000K	R = 130	G = 255	B = 96	W = 255
		011	Azul	R = 0	G = 0	B = 255	W = 0
		012 ⇄ 048	+ verde	R = 0	G = 0–255	B = 255	W = 0
		049	Cyan	R = 0	G = 255	B = 255	W = 0
		050 ⇄ 086	- azul	R = 0	G = 255	B = 255–0	W = 0
		087	Verde	R = 0	G = 255	B = 0	W = 0
		088 ⇄ 124	+ rojo	R = 0–255	G = 255	B = 0	W = 0
		125	Amarillo	R = 255	G = 255	B = 0	W = 0
		126 ⇄ 162	- verde	R = 255	G = 255–0	B = 0	W = 0
		163	Rojo	R = 255	G = 0	B = 0	W = 0
		164 ⇄ 200	+ azul	R = 255	G = 0	B = 0–255	W = 0
		201	Magenta	R = 255	G = 0	B = 255	W = 0
		202 ⇄ 238	- rojo	R = 255–0	G = 0	B = 255	W = 0
		239	Azul	R = 0	G = 0	B = 255	W = 0
		240 ⇄ 247	Cambio de color, rápido a lento				
248 ⇄ 255	Salto de color, rápido a lento						
11	Gobo	000	Sin función				
		001 ⇄ 255	Gobos (indexado)				
12	Macro LED / Programa automático	000 ⇄ 015	Sin función				
		016 ⇄ 135	Macros LED				
		136 ⇄ 255	Programas automáticos				
13	Velocidad Macro LED / Programa automático	000 ⇄ 127	Rápido a lento				
		128	Mantener				
		129 ⇄ 255	Lento a rápido				
14	Retardo LED integrado	000 ⇄ 255	Rápido a lento				
15	Color de fondo	000	Sin función				
		001 ⇄ 002	2700K	R = 156	G = 118	B = 0	W = 63
		003 ⇄ 004	3200K	R = 156	G = 141	B = 5	W = 89
		005 ⇄ 006	4200K	R = 156	G = 141	B = 14	W = 255
		007 ⇄ 008	5600K	R = 156	G = 207	B = 54	W = 255
		009 ⇄ 010	8000K	R = 130	G = 255	B = 96	W = 255
		011	Azul	R = 0	G = 0	B = 255	W = 0
		012 ⇄ 048	+ verde	R = 0	G = 0–255	B = 255	W = 0
		049	Cyan	R = 0	G = 255	B = 255	W = 0
		050 ⇄ 086	- azul	R = 0	G = 255	B = 255–0	W = 0
		087	Verde	R = 0	G = 255	B = 0	W = 0
		088 ⇄ 124	+ rojo	R = 0–255	G = 255	B = 0	W = 0
		125	Amarillo	R = 255	G = 255	B = 0	W = 0
		126 ⇄ 162	- verde	R = 255	G = 255–0	B = 0	W = 0
		163	Rojo	R = 255	G = 0	B = 0	W = 0
		164 ⇄ 200	+ azul	R = 255	G = 0	B = 0–255	W = 0
		201	Magenta	R = 255	G = 0	B = 255	W = 0
		202 ⇄ 238	- rojo	R = 255–0	G = 0	B = 255	W = 0
		239	Azul	R = 0	G = 0	B = 255	W = 0
		240 ⇄ 247	Cambio de color, rápido a lento				
248 ⇄ 255	Salto de color, rápido a lento						
16	Atenuador fondo	000 ⇄ 255	0–100%				
17	Atenuador fondo fino	000 ⇄ 255	0–100%				
18	Atenuador del anillo	000 ⇄ 255	0–100%				
19	Atenuador del anillo fino	000 ⇄ 255	0–100%				



Canal	Función	Valor	Porcentaje/Configuración
20	Atenuador del haz	000 ⇔ 255	0–100%
21	Atenuador del haz fino	000 ⇔ 255	0–100%
22	Obturador del anillo	000 ⇔ 019	Apagado
		020 ⇔ 024	Encendido
		025 ⇔ 069	Estroboscopio, rápido a lento
		070 ⇔ 089	Estroboscopio 100–0%, rápido a lento
		090 ⇔ 109	Estroboscopio 0–100%, rápido a lento
		110 ⇔ 129	Estroboscopio aleatorio, rápido a lento
		130 ⇔ 149	Estroboscopio aleatorio 100–0%, rápido a lento
		150 ⇔ 169	Estroboscopio aleatorio 0–100%, rápido a lento
		170 ⇔ 189	Estroboscopio pulso, rápido a lento
		190 ⇔ 209	Estroboscopio pulso aleatorio, rápido a lento
		210 ⇔ 229	Estroboscopio 0–100–0%, rápido a lento
		230 ⇔ 244	Estroboscopio pulso aleatorio, rápido a lento
245 ⇔ 255	Encendido		
23	Obturador del haz	000 ⇔ 019	Apagado
		020 ⇔ 024	Encendido
		025 ⇔ 069	Estroboscopio, rápido a lento
		070 ⇔ 089	Estroboscopio 100–0%, rápido a lento
		090 ⇔ 109	Estroboscopio 0–100%, rápido a lento
		110 ⇔ 129	Estroboscopio aleatorio, rápido a lento
		130 ⇔ 149	Estroboscopio aleatorio 100–0%, rápido a lento
		150 ⇔ 169	Estroboscopio aleatorio 0–100%, rápido a lento
		170 ⇔ 189	Estroboscopio pulso, rápido a lento
		190 ⇔ 209	Estroboscopio pulso aleatorio, rápido a lento
		210 ⇔ 229	Estroboscopio 0–100–0%, rápido a lento
		230 ⇔ 244	Estroboscopio pulso aleatorio, rápido a lento
245 ⇔ 255	Encendido		
24	Zoom	000 ⇔ 255	Ancho a estrecho
25	Control	000 ⇔ 009	Sin función
		010 ⇔ 014	Blackout panorámica/inclinación
		015 ⇔ 019	Reservado para usos futuros
		020 ⇔ 024	Modo de mezcla de color RGBW (adición)
		025 ⇔ 029	Modo de mezcla de color CMY (sustracción)
		030 ⇔ 049	Reservado para usos futuros
		050 ⇔ 054	Reiniciar movimiento panorámico
		055 ⇔ 059	Reiniciar inclinación
		060 ⇔ 064	Restablecer zoom
		065 ⇔ 069	Reservado para usos futuros
		070 ⇔ 074	Reiniciar todo
		075 ⇔ 109	Reservado para usos futuros
		110 ⇔ 114	Velocidad alta panorámica/Inclinación
		115 ⇔ 119	Velocidad baja panorámica/Inclinación
		120 ⇔ 124	Modo de ventilador lento
		125 ⇔ 129	Modo de ventilador al máximo
		130 ⇔ 134	Modo de ventilador automático
135 ⇔ 139	Modo de atenuador rápido		
140 ⇔ 144	Modo de atenuador lento		
145 ⇔ 255	Reservado para usos futuros		
26	Anillo rojo	000 ⇔ 255	0–100%
27	Anillo rojo fino	000 ⇔ 255	0–100%
28	Haz rojo	000 ⇔ 255	0–100%
29	Haz rojo fino	000 ⇔ 255	0–100%
30	Anillo verde	000 ⇔ 255	0–100%
31	Anillo verde fino	000 ⇔ 255	0–100%

Canal	Función	Valor	Porcentaje/Configuración
32	Haz verde	000 ⇄ 255	0–100%
33	Haz verde fino	000 ⇄ 255	0–100%
34	Anillo azul	000 ⇄ 255	0–100%
35	Anillo azul fino	000 ⇄ 255	0–100%
36	Haz azul	000 ⇄ 255	0–100%
37	Haz azul fino	000 ⇄ 255	0–100%
38	Anillo blanco	000 ⇄ 255	0–100%
39	Anillo blanco fino	000 ⇄ 255	0–100%
40	Haz blanco	000 ⇄ 255	0–100%
41	Haz blanco fino	000 ⇄ 255	0–100%

“Dual Control”: Modo “Standard Movement” (30-canal)

Canal	Función	Valor	Porcentaje/Configuración
1	Movimiento panorámico	000 ⇄ 255	0–100%
2	Movimiento panorámico fino	000 ⇄ 255	0–100%
3	Inclinación	000 ⇄ 255	0–100%
4	Inclinación fino	000 ⇄ 255	0–100%
5	Movimiento panorámico continua	000	Sin función
		001 ⇄ 127	Movimiento panorámico continua, rápido a lento
		128	Sin función
		129 ⇄ 255	Movimiento panorámico continua inverso, lento a rápido
6	Inclinación continua	000	Sin función
		001 ⇄ 127	Inclinación continua, rápido a lento
		128	Sin función
		129 ⇄ 255	Inclinación continua inverso, lento a rápido
7	Velocidad de movimiento panorámico / inclinación	000 ⇄ 255	Rápido a lento
8	CTC	000	Sin función
		001 ⇄ 255	Temperature de color, 2800–10000 K
9	Color del anillo	000	Sin función
		001 ⇄ 002	2700K R = 156 G = 118 B = 0 W = 63
		003 ⇄ 004	3200K R = 156 G = 141 B = 5 W = 89
		005 ⇄ 006	4200K R = 156 G = 141 B = 14 W = 255
		007 ⇄ 008	5600K R = 156 G = 207 B = 54 W = 255
		009 ⇄ 010	8000K R = 130 G = 255 B = 96 W = 255
		011	Azul R = 0 G = 0 B = 255 W = 0
		012 ⇄ 048	+ verde R = 0 G = 0–255 B = 255 W = 0
		049	Cyan R = 0 G = 255 B = 255 W = 0
		050 ⇄ 086	- azul R = 0 G = 255 B = 255–0 W = 0
		087	Verde R = 0 G = 255 B = 0 W = 0
		088 ⇄ 124	+ rojo R = 0–255 G = 255 B = 0 W = 0
		125	Amarillo R = 255 G = 255 B = 0 W = 0
		126 ⇄ 162	- verde R = 255 G = 255–0 B = 0 W = 0
		163	Rojo R = 255 G = 0 B = 0 W = 0
		164 ⇄ 200	+ azul R = 255 G = 0 B = 0–255 W = 0
		201	Magenta R = 255 G = 0 B = 255 W = 0
		202 ⇄ 238	- rojo R = 255–0 G = 0 B = 255 W = 0
		239	Azul R = 0 G = 0 B = 255 W = 0
		240 ⇄ 247	Cambio de color, rápido a lento
248 ⇄ 255	Salto de color, rápido a lento		

Canal	Función	Valor	Porcentaje/Configuración				
<b>10</b>	<b>Color del haz</b>	000	Sin función				
		001 ⇔ 002	2700K	R = 156	G = 118	B = 0	W = 63
		003 ⇔ 004	3200K	R = 156	G = 141	B = 5	W = 89
		005 ⇔ 006	4200K	R = 156	G = 141	B = 14	W = 255
		007 ⇔ 008	5600K	R = 156	G = 207	B = 54	W = 255
		009 ⇔ 010	8000K	R = 130	G = 255	B = 96	W = 255
		011	Azul	R = 0	G = 0	B = 255	W = 0
		012 ⇔ 048	+ verde	R = 0	G = 0-255	B = 255	W = 0
		049	Cyan	R = 0	G = 255	B = 255	W = 0
		050 ⇔ 086	- azul	R = 0	G = 255	B = 255-0	W = 0
		087	Verde	R = 0	G = 255	B = 0	W = 0
		088 ⇔ 124	+ rojo	R = 0-255	G = 255	B = 0	W = 0
		125	Amarillo	R = 255	G = 255	B = 0	W = 0
		126 ⇔ 162	- verde	R = 255	G = 255-0	B = 0	W = 0
		163	Rojo	R = 255	G = 0	B = 0	W = 0
		164 ⇔ 200	+ azul	R = 255	G = 0	B = 0-255	W = 0
		201	Magenta	R = 255	G = 0	B = 255	W = 0
		202 ⇔ 238	- rojo	R = 255-0	G = 0	B = 255	W = 0
		239	Azul	R = 0	G = 0	B = 255	W = 0
		240 ⇔ 247	Cambio de color, rápido a lento				
248 ⇔ 255	Salto de color, rápido a lento						
<b>11</b>	<b>Gobo</b>	000	Sin función				
		001 ⇔ 255	Gobos (indexado)				
<b>12</b>	<b>Macro LED / Programa automático</b>	000 ⇔ 015	Sin función				
		016 ⇔ 135	Macros LED				
		136 ⇔ 255	Programas automáticos				
<b>13</b>	<b>Velocidad Macro LED / Programa automático</b>	000 ⇔ 127	Rápido a lento				
		128	Mantener				
		129 ⇔ 255	Lento a rápido				
<b>14</b>	<b>Retardo LED integrado</b>	000 ⇔ 255	Rápido a lento				
<b>15</b>	<b>Color de fondo</b>	000	Sin función				
		001 ⇔ 002	2700K	R = 156	G = 118	B = 0	W = 63
		003 ⇔ 004	3200K	R = 156	G = 141	B = 5	W = 89
		005 ⇔ 006	4200K	R = 156	G = 141	B = 14	W = 255
		007 ⇔ 008	5600K	R = 156	G = 207	B = 54	W = 255
		009 ⇔ 010	8000K	R = 130	G = 255	B = 96	W = 255
		011	Azul	R = 0	G = 0	B = 255	W = 0
		012 ⇔ 048	+ verde	R = 0	G = 0-255	B = 255	W = 0
		049	Cyan	R = 0	G = 255	B = 255	W = 0
		050 ⇔ 086	- azul	R = 0	G = 255	B = 255-0	W = 0
		087	Verde	R = 0	G = 255	B = 0	W = 0
		088 ⇔ 124	+ rojo	R = 0-255	G = 255	B = 0	W = 0
		125	Amarillo	R = 255	G = 255	B = 0	W = 0
		126 ⇔ 162	- verde	R = 255	G = 255-0	B = 0	W = 0
		163	Rojo	R = 255	G = 0	B = 0	W = 0
		164 ⇔ 200	+ azul	R = 255	G = 0	B = 0-255	W = 0
		201	Magenta	R = 255	G = 0	B = 255	W = 0
		202 ⇔ 238	- rojo	R = 255-0	G = 0	B = 255	W = 0
		239	Azul	R = 0	G = 0	B = 255	W = 0
		240 ⇔ 247	Cambio de color, rápido a lento				
248 ⇔ 255	Salto de color, rápido a lento						
<b>16</b>	<b>Atenuador fondo</b>	000 ⇔ 255	0-100%				
<b>17</b>	<b>Atenuador del anillo</b>	000 ⇔ 255	0-100%				
<b>18</b>	<b>Atenuador del haz</b>	000 ⇔ 255	0-100%				

## GUÍA DE REFERENCIA RÁPIDA



ES

Canal	Función	Valor	Porcentaje/Configuración
19	Obturador del anillo	000 ⇄ 019	Apagado
		020 ⇄ 024	Encendido
		025 ⇄ 069	Estroboscopio, rápido a lento
		070 ⇄ 089	Estroboscopio 100–0%, rápido a lento
		090 ⇄ 109	Estroboscopio 0–100%, rápido a lento
		110 ⇄ 129	Estroboscopio aleatorio, rápido a lento
		130 ⇄ 149	Estroboscopio aleatorio 100–0%, rápido a lento
		150 ⇄ 169	Estroboscopio aleatorio 0–100%, rápido a lento
		170 ⇄ 189	Estroboscopio pulso, rápido a lento
		190 ⇄ 209	Estroboscopio pulso aleatorio, rápido a lento
		210 ⇄ 229	Estroboscopio 0–100–0%, rápido a lento
		230 ⇄ 244	Estroboscopio pulso aleatorio, rápido a lento
		245 ⇄ 255	Encendido
20	Obturador del haz	000 ⇄ 019	Apagado
		020 ⇄ 024	Encendido
		025 ⇄ 069	Estroboscopio, rápido a lento
		070 ⇄ 089	Estroboscopio 100–0%, rápido a lento
		090 ⇄ 109	Estroboscopio 0–100%, rápido a lento
		110 ⇄ 129	Estroboscopio aleatorio, rápido a lento
		130 ⇄ 149	Estroboscopio aleatorio 100–0%, rápido a lento
		150 ⇄ 169	Estroboscopio aleatorio 0–100%, rápido a lento
		170 ⇄ 189	Estroboscopio pulso, rápido a lento
		190 ⇄ 209	Estroboscopio pulso aleatorio, rápido a lento
		210 ⇄ 229	Estroboscopio 0–100–0%, rápido a lento
		230 ⇄ 244	Estroboscopio pulso aleatorio, rápido a lento
		245 ⇄ 255	Encendido
21	Zoom	000 ⇄ 255	Ancho a estrecho
22	Control	000 ⇄ 009	Sin función
		010 ⇄ 014	Blackout panorámica/inclinación
		015 ⇄ 019	Reservado para usos futuros
		020 ⇄ 024	Modo de mezcla de color RGBW (adición)
		025 ⇄ 029	Modo de mezcla de color CMY (sustracción)
		030 ⇄ 049	Reservado para usos futuros
		050 ⇄ 054	Reiniciar movimiento panorámico
		055 ⇄ 059	Reiniciar inclinación
		060 ⇄ 064	Restablecer zoom
		065 ⇄ 069	Reservado para usos futuros
		070 ⇄ 074	Reiniciar todo
		075 ⇄ 109	Reservado para usos futuros
		110 ⇄ 114	Velocidad alta panorámica/Inclinación
		115 ⇄ 119	Velocidad baja panorámica/Inclinación
		120 ⇄ 124	Modo de ventilador lento
		125 ⇄ 129	Modo de ventilador al máximo
		130 ⇄ 134	Modo de ventilador automático
135 ⇄ 139	Modo de atenuador rápido		
140 ⇄ 144	Modo de atenuador lento		
145 ⇄ 255	Reservado para usos futuros		
23	Anillo rojo	000 ⇄ 255	0–100%
24	Haz rojo	000 ⇄ 255	0–100%
25	Anillo verde	000 ⇄ 255	0–100%
26	Haz verde	000 ⇄ 255	0–100%
27	Anillo azul	000 ⇄ 255	0–100%
28	Haz azul	000 ⇄ 255	0–100%
29	Anillo blanco	000 ⇄ 255	0–100%
30	Haz blanco	000 ⇄ 255	0–100%

**“Dual Control”: Modo “Basic Movement” (13-canal)**

Canal	Función	Valor	Porcentaje/Configuración
1	Movimiento panorámico	000 ⇔ 255	0–100%
2	Movimiento panorámico fino	000 ⇔ 255	0–100%
3	Inclinación	000 ⇔ 255	0–100%
4	Inclinación fino	000 ⇔ 255	0–100%
5	Movimiento panorámico continua	000	Sin función
		001 ⇔ 127	Movimiento panorámico continua, rápido a lento
		128	Sin función
		129 ⇔ 255	Movimiento panorámico continua inverso, lento a rápido
6	Inclinación continua	000	Sin función
		001 ⇔ 127	Inclinación continua, rápido a lento
		128	Sin función
		129 ⇔ 255	Inclinación continua inverso, lento a rápido
7	Velocidad de movimiento panorámico / inclinación	000 ⇔ 255	Rápido a lento
8	Atenuador del anillo	000 ⇔ 255	0–100%
9	Atenuador del haz	000 ⇔ 255	0–100%
10	Obturador del anillo	000 ⇔ 019	Apagado
		020 ⇔ 024	Encendido
		025 ⇔ 069	Estroboscopio, rápido a lento
		070 ⇔ 089	Estroboscopio 100–0%, rápido a lento
		090 ⇔ 109	Estroboscopio 0–100%, rápido a lento
		110 ⇔ 129	Estroboscopio aleatorio, rápido a lento
		130 ⇔ 149	Estroboscopio aleatorio 100–0%, rápido a lento
		150 ⇔ 169	Estroboscopio aleatorio 0–100%, rápido a lento
		170 ⇔ 189	Estroboscopio pulso, rápido a lento
		190 ⇔ 209	Estroboscopio pulso aleatorio, rápido a lento
		210 ⇔ 229	Estroboscopio 0–100–0%, rápido a lento
		230 ⇔ 244	Estroboscopio pulso aleatorio, rápido a lento
245 ⇔ 255	Encendido		
11	Obturador del haz	000 ⇔ 019	Apagado
		020 ⇔ 024	Encendido
		025 ⇔ 069	Estroboscopio, rápido a lento
		070 ⇔ 089	Estroboscopio 100–0%, rápido a lento
		090 ⇔ 109	Estroboscopio 0–100%, rápido a lento
		110 ⇔ 129	Estroboscopio aleatorio, rápido a lento
		130 ⇔ 149	Estroboscopio aleatorio 100–0%, rápido a lento
		150 ⇔ 169	Estroboscopio aleatorio 0–100%, rápido a lento
		170 ⇔ 189	Estroboscopio pulso, rápido a lento
		190 ⇔ 209	Estroboscopio pulso aleatorio, rápido a lento
		210 ⇔ 229	Estroboscopio 0–100–0%, rápido a lento
		230 ⇔ 244	Estroboscopio pulso aleatorio, rápido a lento
245 ⇔ 255	Encendido		
12	Zoom	000 ⇔ 255	Ancho a estrecho

Canal	Función	Valor	Porcentaje/Configuración
13	Control	000 ⇄ 009	Sin función
		010 ⇄ 014	Blackout panorámica/inclinación
		015 ⇄ 019	Reservado para usos futuros
		020 ⇄ 024	Modo de mezcla de color RGBW (adición)
		025 ⇄ 029	Modo de mezcla de color CMY (sustracción)
		030 ⇄ 049	Reservado para usos futuros
		050 ⇄ 054	Reiniciar movimiento panorámico
		055 ⇄ 059	Reiniciar inclinación
		060 ⇄ 064	Restablecer zoom
		065 ⇄ 069	Reservado para usos futuros
		070 ⇄ 074	Reiniciar todo
		075 ⇄ 109	Reservado para usos futuros
		110 ⇄ 114	Velocidad alta panorámica/Inclinación
		115 ⇄ 119	Velocidad baja panorámica/Inclinación
		120 ⇄ 124	Modo de ventilador lento
		125 ⇄ 129	Modo de ventilador al máximo
		130 ⇄ 134	Modo de ventilador automático
		135 ⇄ 139	Modo de atenuador rápido
		140 ⇄ 144	Modo de atenuador lento
		145 ⇄ 255	Reservado para usos futuros

**Valores “Dual Control” (Pixels)**
**“Dual Control”: Modo “Advanced Pixels” (80-canal)**

Canal	Función	Valor	Porcentaje/Configuración
1	Rojo 1	000 ⇔ 255	0–100%
2	Rojo fino 1	000 ⇔ 255	0–100%
3	Verde 1	000 ⇔ 255	0–100%
4	Verde fino 1	000 ⇔ 255	0–100%
5	Azul 1	000 ⇔ 255	0–100%
6	Azul fino 1	000 ⇔ 255	0–100%
7	Blanco 1	000 ⇔ 255	0–100%
8	Blanco fino 1	000 ⇔ 255	0–100%
9	Rojo 2	000 ⇔ 255	0–100%
10	Rojo fino 2	000 ⇔ 255	0–100%
11	Verde 2	000 ⇔ 255	0–100%
12	Verde fino 2	000 ⇔ 255	0–100%
13	Azul 2	000 ⇔ 255	0–100%
14	Azul fino 2	000 ⇔ 255	0–100%
15	Blanco 2	000 ⇔ 255	0–100%
16	Blanco fino 2	000 ⇔ 255	0–100%
17	Rojo 3	000 ⇔ 255	0–100%
18	Rojo fino 3	000 ⇔ 255	0–100%
19	Verde 3	000 ⇔ 255	0–100%
20	Verde fino 3	000 ⇔ 255	0–100%
21	Azul 3	000 ⇔ 255	0–100%
22	Azul fino 3	000 ⇔ 255	0–100%
23	Blanco 3	000 ⇔ 255	0–100%
24	Blanco fino 3	000 ⇔ 255	0–100%
25	Rojo 4	000 ⇔ 255	0–100%
26	Rojo fino 4	000 ⇔ 255	0–100%
27	Verde 4	000 ⇔ 255	0–100%
28	Verde fino 4	000 ⇔ 255	0–100%
29	Azul 4	000 ⇔ 255	0–100%
30	Azul fino 4	000 ⇔ 255	0–100%
31	Blanco 4	000 ⇔ 255	0–100%
32	Blanco fino 4	000 ⇔ 255	0–100%
33	Rojo 5	000 ⇔ 255	0–100%
34	Rojo fino 5	000 ⇔ 255	0–100%
35	Verde 5	000 ⇔ 255	0–100%
36	Verde fino 5	000 ⇔ 255	0–100%
37	Azul 5	000 ⇔ 255	0–100%
38	Azul fino 5	000 ⇔ 255	0–100%
39	Blanco 5	000 ⇔ 255	0–100%
40	Blanco fino 5	000 ⇔ 255	0–100%
41	Rojo 6	000 ⇔ 255	0–100%
42	Rojo fino 6	000 ⇔ 255	0–100%
43	Verde 6	000 ⇔ 255	0–100%
44	Verde fino 6	000 ⇔ 255	0–100%
45	Azul 6	000 ⇔ 255	0–100%
46	Azul fino 6	000 ⇔ 255	0–100%
47	Blanco 6	000 ⇔ 255	0–100%
48	Blanco fino 6	000 ⇔ 255	0–100%
49	Rojo 7	000 ⇔ 255	0–100%
50	Rojo fino 7	000 ⇔ 255	0–100%
51	Verde 7	000 ⇔ 255	0–100%
52	Verde fino 7	000 ⇔ 255	0–100%

Canal	Función	Valor	Porcentaje/Configuración
53	Azul 7	000 ⇄ 255	0–100%
54	Azul fino 7	000 ⇄ 255	0–100%
55	Blanco 7	000 ⇄ 255	0–100%
56	Blanco fino 7	000 ⇄ 255	0–100%
57	Rojo 8	000 ⇄ 255	0–100%
58	Rojo fino 8	000 ⇄ 255	0–100%
59	Verde 8	000 ⇄ 255	0–100%
60	Verde fino 8	000 ⇄ 255	0–100%
61	Azul 8	000 ⇄ 255	0–100%
62	Azul fino 8	000 ⇄ 255	0–100%
63	Blanco 8	000 ⇄ 255	0–100%
64	Blanco fino 8	000 ⇄ 255	0–100%
65	Rojo 9	000 ⇄ 255	0–100%
66	Rojo fino 9	000 ⇄ 255	0–100%
67	Verde 9	000 ⇄ 255	0–100%
68	Verde fino 9	000 ⇄ 255	0–100%
69	Azul 9	000 ⇄ 255	0–100%
70	Azul fino 9	000 ⇄ 255	0–100%
71	Blanco 9	000 ⇄ 255	0–100%
72	Blanco fino 9	000 ⇄ 255	0–100%
73	Rojo 10	000 ⇄ 255	0–100%
74	Rojo fino 10	000 ⇄ 255	0–100%
75	Verde 10	000 ⇄ 255	0–100%
76	Verde fino 10	000 ⇄ 255	0–100%
77	Azul 10	000 ⇄ 255	0–100%
78	Azul fino 10	000 ⇄ 255	0–100%
79	Blanco 10	000 ⇄ 255	0–100%
80	Blanco fino 10	000 ⇄ 255	0–100%

“Dual Control”: Modo “Standard Pixels” (40-canal)

Canal	Función	Valor	Porcentaje/Configuración
1	Rojo 1	000 ⇄ 255	0–100%
2	Verde 1	000 ⇄ 255	0–100%
3	Azul 1	000 ⇄ 255	0–100%
4	Blanco 1	000 ⇄ 255	0–100%
5	Rojo 2	000 ⇄ 255	0–100%
6	Verde 2	000 ⇄ 255	0–100%
7	Azul 2	000 ⇄ 255	0–100%
8	Blanco 2	000 ⇄ 255	0–100%
9	Rojo 3	000 ⇄ 255	0–100%
10	Verde 3	000 ⇄ 255	0–100%
11	Azul 3	000 ⇄ 255	0–100%
12	Blanco 3	000 ⇄ 255	0–100%
13	Rojo 4	000 ⇄ 255	0–100%
14	Verde 4	000 ⇄ 255	0–100%
15	Azul 4	000 ⇄ 255	0–100%
16	Blanco 4	000 ⇄ 255	0–100%
17	Rojo 5	000 ⇄ 255	0–100%
18	Verde 5	000 ⇄ 255	0–100%
19	Azul 5	000 ⇄ 255	0–100%
20	Blanco 5	000 ⇄ 255	0–100%



Canal	Función	Valor	Porcentaje/Configuración
21	Rojo 6	000 ⇔ 255	0-100%
22	Verde 6	000 ⇔ 255	0-100%
23	Azul 6	000 ⇔ 255	0-100%
24	Blanco 6	000 ⇔ 255	0-100%
25	Rojo 7	000 ⇔ 255	0-100%
26	Verde 7	000 ⇔ 255	0-100%
27	Azul 7	000 ⇔ 255	0-100%
28	Blanco 7	000 ⇔ 255	0-100%
29	Rojo 8	000 ⇔ 255	0-100%
30	Verde 8	000 ⇔ 255	0-100%
31	Azul 8	000 ⇔ 255	0-100%
32	Blanco 8	000 ⇔ 255	0-100%
33	Rojo 9	000 ⇔ 255	0-100%
34	Verde 9	000 ⇔ 255	0-100%
35	Azul 9	000 ⇔ 255	0-100%
36	Blanco 9	000 ⇔ 255	0-100%
37	Rojo 10	000 ⇔ 255	0-100%
38	Verde 10	000 ⇔ 255	0-100%
39	Azul 10	000 ⇔ 255	0-100%
40	Blanco 10	000 ⇔ 255	0-100%

**“Dual Control”: Modo “Basic Pixels” (30-canal)**

Canal	Función	Valor	Porcentaje/Configuración
1	Rojo 1	000 ⇔ 255	0-100%
2	Verde 1	000 ⇔ 255	0-100%
3	Azul 1	000 ⇔ 255	0-100%
4	Rojo 2	000 ⇔ 255	0-100%
5	Verde 2	000 ⇔ 255	0-100%
6	Azul 2	000 ⇔ 255	0-100%
7	Rojo 3	000 ⇔ 255	0-100%
8	Verde 3	000 ⇔ 255	0-100%
9	Azul 3	000 ⇔ 255	0-100%
10	Rojo 4	000 ⇔ 255	0-100%
11	Verde 4	000 ⇔ 255	0-100%
12	Azul 4	000 ⇔ 255	0-100%
13	Rojo 5	000 ⇔ 255	0-100%
14	Verde 5	000 ⇔ 255	0-100%
15	Azul 5	000 ⇔ 255	0-100%
16	Rojo 6	000 ⇔ 255	0-100%
17	Verde 6	000 ⇔ 255	0-100%
18	Azul 6	000 ⇔ 255	0-100%
19	Rojo 7	000 ⇔ 255	0-100%
20	Verde 7	000 ⇔ 255	0-100%
21	Azul 7	000 ⇔ 255	0-100%
22	Rojo 8	000 ⇔ 255	0-100%
23	Verde 8	000 ⇔ 255	0-100%
24	Azul 8	000 ⇔ 255	0-100%
25	Rojo 9	000 ⇔ 255	0-100%
26	Verde 9	000 ⇔ 255	0-100%
27	Azul 9	000 ⇔ 255	0-100%
28	Rojo 10	000 ⇔ 255	0-100%
29	Verde 10	000 ⇔ 255	0-100%
30	Azul 10	000 ⇔ 255	0-100%

## A Propos de ce Manuel

Le manuel de référence (MR) du Maverick MK Pyxis reprend des informations de base sur ce produit notamment en matière de connexions, montage, options de menu et valeurs DMX. Téléchargez le Manuel d'Utilisation sur [www.chauvetprofessional.com](http://www.chauvetprofessional.com) pour de plus amples informations.

### Clause de Non-Responsabilité

Les informations et caractéristiques contenues dans ce manuel sont sujettes à changement sans préavis.

### Consignes de Sécurité

Ces consignes de sécurité contiennent des informations importantes en matière d'installation, d'utilisation et d'entretien.

- N'ouvrez PAS cet appareil. Il ne contient aucun composant susceptible d'être réparé par l'utilisateur.
- Ne regardez PAS la source lumineuse lorsque le produit fonctionne.
- Durant les périodes de non-utilisation, pour éviter toute usure inutile et pour prolonger la durée de vie, déconnectez-entièrement l'appareil en le débranchant de l'alimentation électrique ou en coupant le disjoncteur.
- ATTENTION: Lorsque l'appareil est transféré d'un environnement à température extrême à un autre (par exemple d'un camion froid vers une salle de bal chaude et humide), de la condensation peut se former sur les composants électriques internes. Pour éviter de causer des dommages, laissez l'appareil s'acclimater entièrement au milieu environnant avant de le mettre sous tension.
- ATTENTION: le boîtier de ce produit peut s'avérer brûlant lors du fonctionnement.
- Montez toujours ce produit dans un endroit bien ventilé, à au moins 50 cm (20 pouces) des surfaces adjacentes.
- Ne laissez AUCUNE source inflammable dans un rayon de 50 cm du produit lorsque celui-ci fonctionne.
- Utilisez TOUJOURS un câble de sécurité lorsque vous montez ce produit en hauteur.
- N'utilisez PAS cet appareil en extérieur ou tout autre endroit où de la poussière, une chaleur excessive, de l'eau ou de l'humidité pourrait en affecter le fonctionnement. (IP20)
- N'utilisez PAS cet appareil si le boîtier, les lentilles ou les câbles vous semblent endommagés.
- Ne connectez ce produit NI à un gradateur NI à un rhéostat.
- Connectez UNIQUEMENT cet appareil à un circuit protégé et relié à la terre.
- N'utilisez QUE les lyres de suspension ou les poignées pour transporter cet appareil. Ne transportez jamais cet appareil par sa lyre asservie.
- En cas de sérieux problèmes de fonctionnement, arrêtez le système immédiatement.
- La température ambiante maximale doit être de 113° F (45° C). Ne le faites pas fonctionner à des températures plus élevées.

### Contact

En dehors des États-Unis, du Royaume-Uni et de l'Irlande, du Mexique, ou de Benelux contactez votre fournisseur si vous avez besoin d'assistance ou de retourner votre produit. Consultez le site [www.chauvetprofessional.com](http://www.chauvetprofessional.com) pour trouver nos coordonnées.

### Ce qui est Inclus

- Maverick MK Pyxis
- Un cordon d'alimentation Seetronic Powerkon
- 2 fixations Omega sans matériel de montage
- Une fiche de Garantie
- Un Manuel de Référence

### Alimentation CA

Ce produit est doté d'une alimentation universelle prenant en charge toute tension d'entrée comprise entre 100 et 240 VCA, 50/60 Hz.

### Prise CA

Connexion	Câble (États-Unis)	Câble (Europe)	Couleur de la Vis
Conducteur CA	Noir	Marron	Jaune/Cuivré
Neutre CA	Blanc	Bleu	Argenté
Terre CA	Vert/Jaune	Vert/Jaune	Vert



**Durant les périodes de non-utilisation, pour éviter toute usure inutile et pour prolonger la durée de vie, déconnectez-entièrement l'appareil en le débranchant de l'alimentation électrique ou en coupant le disjoncteur.**

### Connexion Électrique

Vous pouvez connecter entre eux jusqu'à 6 Maverick MK Pyxis à 120 V, 11 unités à 208 V ou 12 à 230 V. Ne dépassez jamais cette limite. Vous pouvez vous procurer séparément des cordons d'alimentation de raccordement.

### Remplacement du Fusible

1. Débranchez l'appareil de l'alimentation.
2. À l'aide d'un tournevis à tête plate, dévissez le couvercle du porte-fusible du boîtier.
3. Retirez le fusil obsolète et remplacez-le par un fusible en bon état de même type et ampérage.
4. Revissez le couvercle du porte-fusible et rebranchez l'unité.

## Connexions du signal

Vous pouvez relier le Maverick MK Pyxis à un contrôleur ou à un logiciel de contrôle à l'aide d'une connexion DMX, une connexion Ethernet ou les deux à la fois. En cas d'utilisation du Maverick MK Pyxis conjointement avec d'autres appareils compatibles avec les protocoles Art-Net™, sACN ou Kling-Net, vous gardez le contrôle individuel sur un même réseau. Veuillez consulter le manuel d'utilisation pour plus d'informations sur la connexion et la configuration de l'appareil avec ces signaux.

### Personnalités de contrôle

Le Maverick MK Pyxis utilise les protocoles DMX, Art-Net™, sACN, WDMX et Kling-Net pour ses personnalités de contrôle:

Single Control	Dual Control Movement	Dual Control Pixels
<b>Basic</b> (26-canal)	<b>Basic</b> (13-canal)	<b>Basic</b> (30-canal)
<b>Standard</b> (66-canal)	<b>Standard</b> (30-canal)	<b>Standard</b> (40-canal)
<b>Advanced</b> (113-canal)	<b>Advanced</b> (41-canal)	<b>Advanced</b> (80-canal)
<b>Tour</b> (131-canal)	Utilise DMX, Art-Net™ ou sACN	Utilise DMX, Art-Net™, sACN ou Kling-Net
Utilise DMX, Art-Net™, sACN ou WDMX		



En mode "Dual Control", les protocoles "Movement" et "Pixels" ne peuvent pas être identiques.

### Connexion DMX

Le Maverick MK Pyxis fonctionnera conjointement avec un jeu d'orgues DMX doté d'une connexion de donnée DMX à 3 ou 5 broches. Une introduction au DMX est à votre disposition sur [www.chauvetprofessional.com](http://www.chauvetprofessional.com).

### Connexion Art-Net™

Art-Net™ est un protocole Ethernet par TCP/IP qui permet de transférer de grandes quantités de données DMX512 en utilisant une connexion etherCON RJ45 sur un grand réseau. Une introduction au protocole Art-Net™ est disponible sur le site internet [www.chauvetprofessional.com](http://www.chauvetprofessional.com). Chauvet Professional recommande d'utiliser le mode Unicast pour de meilleurs résultats.

Art-Net™ conçu et droit d'auteur par Artistic Licence Holdings Ltd.

### Connexion sACN

Également appelé ANSI E1.31, le streaming ACN est un protocole Ethernet qui utilise les couches et le formatage de l'Architecture for Control Networks pour transporter des données DMX512 par IP ou tout autre réseau compatible ACN. L'ACN est maintenu par la PLASA (Professional Lighting and Sound Association).

### Connexion Kling-Net

Kling-Net est un protocole réseau qui permet la configuration automatique des appareils d'affichage en utilisant une connexion Ethernet etherCON RJ45. Référez-vous au manuel du logiciel ArKaos pour des instructions détaillées sur la programmation de cet appareil.



Pour un fonctionnement sans problème, le protocole ArKaos Kling-Net nécessite l'utilisation d'une carte réseau Ethernet gigabit (1000 Mbps) et d'un routeur.



Le protocole ArKaos Kling-Net permet uniquement de faire fonctionner les modes "Standard Pixels" ou "Basic Pixels".

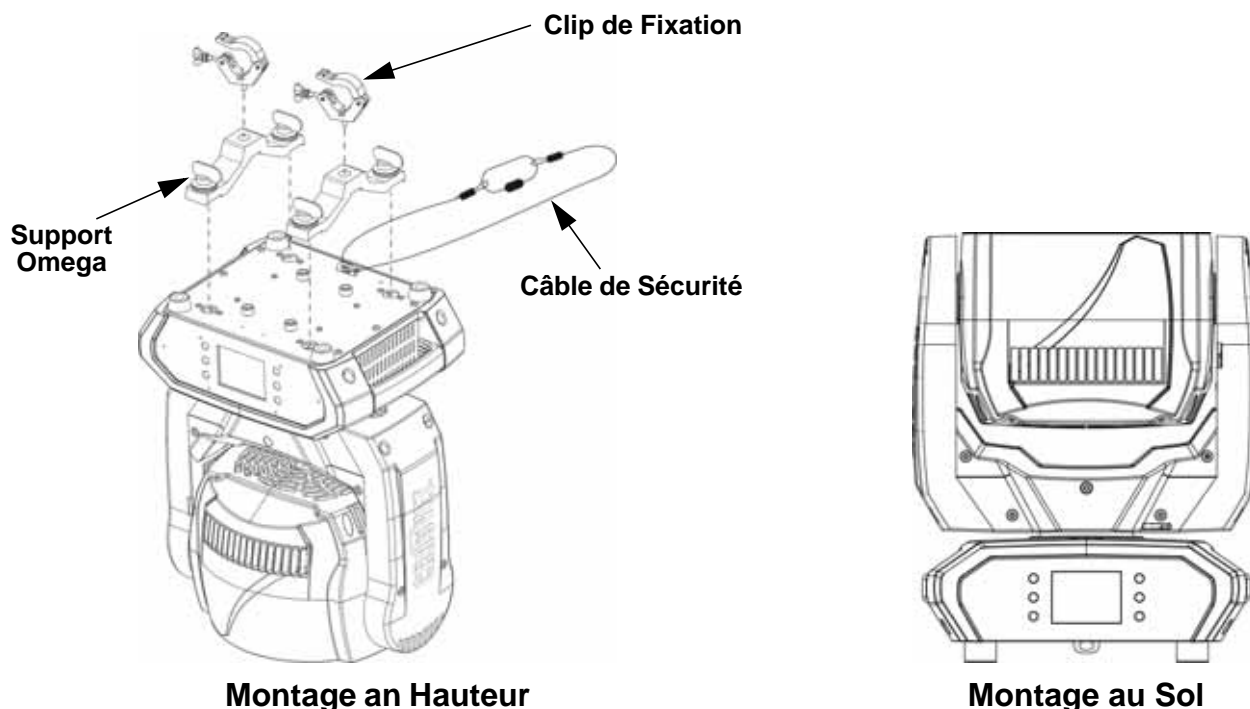
### RDM (Gestion des périphériques à distance)

Le protocole RDM (gestion des périphériques à distance) est un standard pour la communication bidirectionnelle des appareils dotés de fonctions DMX dans un câblage DMX existant. Le Maverick MK Pyxis supporte le protocole RDM permettant un retour d'information pour la surveillance de la température et des changements des options de menu. Veuillez télécharger le manuel de l'utilisateur à partir du site internet [www.chauvetprofessional.com](http://www.chauvetprofessional.com) pour plus de détails.

## Montage

Avant de monter cet appareil, lisez et assimilez les [Consignes de Sécurité](#). Utilisez au moins deux points de fixation par appareil. Veillez à ce que les fixations sont capables de supporter le poids de l'unité. Découvrez notre gamme de fixations Chauvet sur <http://trusst.com/products>.

### Schéma de Montage de l'appareil



## Panneau de commande tactile

Le Maverick MK Pyxis est équipé d'un affichage avec un écran tactile ainsi que de 6 boutons de commande. L'écran tactile peut être verrouillé et calibré via l'option **Setup** (paramétrage) du menu.

### Description du Tableau de Commandes

Bouton	Fonction
< ↑ >	Permet de naviguer vers le haut dans la liste du menu ou d'incrémenter une valeur numérique dans une fonction
< ≡ >	Permet de sortir du menu ou de la fonction en cours
< ↓ >	Permet de naviguer vers le bas dans la liste du menu ou de décrémenter une valeur numérique dans une fonction
< ← >	Permet de se déplacer vers la gauche dans le menu
< ↩ >	Active l'entrée de menu actuellement affichée ou confirme la valeur actuellement sélectionnée pour la fonction en cours de sélection
< → >	Permet de se déplacer vers la droite dans le menu

Plan du menu

Niveaux de Programmation				Description	
<b>Control Settings</b>				<b>Control Settings Niveau Principal</b>	
<b>Control Settings</b>	<b>Single Control</b>	<b>DMX</b>	<b>Personality</b>	<b>Basic</b>	Définir la personnalité DMX (voir la section <a href="#">Personnalités de contrôle</a> )
				<b>Standard</b>	
				<b>Advanced</b>	
				<b>Tour</b>	
			<b>Start Address</b>	<b>0-512</b>	Définir l'adresse DMX de départ
		<b>ArtNet</b>	<b>Personality</b>	<b>Basic</b>	Définir la personnalité Art-Net™ (voir la section <a href="#">Personnalités de contrôle</a> )
				<b>Standard</b>	
				<b>Advanced</b>	
				<b>Tour</b>	
			<b>Start Address</b>	<b>0-512</b>	Définir l'adresse Art-Net™ de départ
			<b>Universe</b>	<b>0-255</b>	Définir l'univers Art-Net™
		<b>sACN</b>	<b>Personality</b>	<b>Basic</b>	Définir la personnalité sACN (voir la section <a href="#">Personnalités de contrôle</a> )
	<b>Standard</b>				
	<b>Advanced</b>				
	<b>Tour</b>				
		<b>Start Address</b>	<b>0-512</b>	Définir l'adresse sACN de départ	
		<b>Universe</b>	<b>0-255</b>	Définir l'univers sACN	
	<b>WDMX</b>	<b>Personality</b>	<b>Basic</b>	Définir la personnalité WDMX (voir la section <a href="#">Personnalités de contrôle</a> )	
			<b>Standard</b>		
			<b>Advanced</b>		
<b>Tour</b>					
	<b>Start Address</b>	<b>0-512</b>	Définir l'adresse WDMX de départ		
<b>Dual Control</b>	<b>Movement</b>	<b>DMX</b>	<b>Personality</b>	<b>Basic</b>	Définir la personnalité DMX (voir la section <a href="#">Personnalités de contrôle</a> )
				<b>Standard</b>	
				<b>Advanced</b>	
			<b>Start Address</b>	<b>0-512</b>	Définir l'adresse DMX de départ
		<b>ArtNet</b>	<b>Personality</b>	<b>Basic</b>	Définir la personnalité Art-Net™ (voir la section <a href="#">Personnalités de contrôle</a> )
				<b>Standard</b>	
				<b>Advanced</b>	
			<b>Start Address</b>	<b>0-512</b>	Définir l'adresse Art-Net™ de départ
			<b>Universe</b>	<b>0-255</b>	Définir l'univers Art-Net™
	<b>sACN</b>	<b>Personality</b>	<b>Basic</b>	Définir la personnalité sACN (voir la section <a href="#">Personnalités de contrôle</a> )	
			<b>Standard</b>		
			<b>Advanced</b>		
		<b>Start Address</b>	<b>0-512</b>	Définir l'adresse sACN de départ	
		<b>Universe</b>	<b>0-255</b>	Définir l'univers sACN	
	<b>Pixels</b>	<b>DMX</b>	<b>Personality</b>	<b>Basic</b>	Définir la personnalité DMX (voir la section <a href="#">Personnalités de contrôle</a> )
				<b>Standard</b>	
				<b>Advanced</b>	
			<b>Start Address</b>	<b>0-512</b>	Définir l'adresse DMX de départ
<b>ArtNet</b>		<b>Personality</b>	<b>Basic</b>	Définir la personnalité Art-Net™ (voir la section <a href="#">Personnalités de contrôle</a> )	
			<b>Standard</b>		
			<b>Advanced</b>		
		<b>Start Address</b>	<b>0-512</b>	Définir l'adresse Art-Net™ de départ	
		<b>Universe</b>	<b>0-255</b>	Définir l'univers Art-Net™	
<b>sACN</b>	<b>Personality</b>	<b>Basic</b>	Définir la personnalité sACN (voir la section <a href="#">Personnalités de contrôle</a> )		
		<b>Standard</b>			
		<b>Advanced</b>			
	<b>Start Address</b>	<b>0-512</b>	Définir l'adresse sACN de départ		
	<b>Universe</b>	<b>0-255</b>	Définir l'univers sACN		
<b>KlingNet</b>	<b>Personality</b>	<b>Basic</b>	Définir la personnalité Kling-Net (voir la section <a href="#">Personnalités de contrôle</a> )		
		<b>Standard</b>			

Niveaux de Programmation			Description	
<b>Test Mode</b>			<b>Test Mode Niveau Principal</b>	
<b>Test Mode</b>	<b>Auto Test</b>		Effectuer un test automatique de toutes les fonctions	
	<b>Manual Test</b>	Pan	<b>000-255</b>	Contrôler et tester manuellement chaque paramètre depuis le panneau de commande
		Tilt		
		P/T Speed		
		Red		
		Green		
		Blue		
		White		
		CTC		
		Color		
		Pattern		
		LED Macro		
		LED Ma. Speed		
		LED Ma. Fade		
		Background		
Background Dim.				
Dimmer				
Shutter				
Function				
Zoom				
<b>Setup</b>			<b>Setup Niveau Principal</b>	
<b>Setup</b>	<b>Network Settings</b>	<b>Ethernet To DMX</b>	<b>NO</b>	Désactivation de la conversion entrée Ethernet en DMX
			<b>YES</b>	Activation de la conversion de l'entrée Ethernet en sortie DMX
		<b>IP Mode</b>	<b>Manual</b>	Réglage manuel de l'adresse IP
			<b>DHCP</b>	L'adresse IP est définie par le réseau
			<b>Static</b>	L'adresse IP est définie par l'appareil
		<b>IP</b>	-----	Réglage de l'adresse IP en mode manuel
	<b>SubMask</b>	-----	Réglage du masque de sous-réseau en mode manuel	
	<b>Pan Reverse</b>	<b>NO</b>	Fonctionnement normal du pan	
		<b>YES</b>	Fonctionnement inversé du pan	
	<b>Tilt Reverse</b>	<b>NO</b>	Fonctionnement normal du tilt	
<b>YES</b>		Fonctionnement inversé du tilt		
<b>Zoom Reverse</b>	<b>NO</b>	Zoom normal		
	<b>YES</b>	Zoom inverse		
<b>Screen Reverse</b>	<b>NO</b>	L'écran s'affiche à normal		
	<b>YES</b>	L'écran s'affiche à l'envers		
	<b>AUTO</b>	Orientation automatique de l'écran		
<b>Pan Angle</b>	<b>540</b>	Plage d'angle de pan: 540°		
	<b>360</b>	Plage d'angle de pan: 360°		
	<b>180</b>	Plage d'angle de pan: 180°		
<b>Tilt Angle</b>	<b>270</b>	Plage d'angle de tilt: 540°		
	<b>180</b>	Plage d'angle de tilt: 270°		
	<b>90</b>	Plage d'angle de tilt: 180°		
<b>BL. O. P/T Move</b>	<b>NO</b>	Pas de noir général pendant le pan/tilt		
	<b>YES</b>	Noir général pendant le pan/tilt		
<b>Calibration</b>	<b>NO</b>	Conservé les paramètres actuels		
	<b>YES</b>	Calibration de l'écran tactile		
<b>Touchscreen Lock</b>	<b>NO</b>	L'écran réponds au toucher		
	<b>YES</b>	L'écran ne réponds pas au toucher		
<b>Lock Screen</b>	<b>NO</b>	Boutons de verrouillage et écran tactile		
	<b>YES</b>	Mot de Passe: 0920		

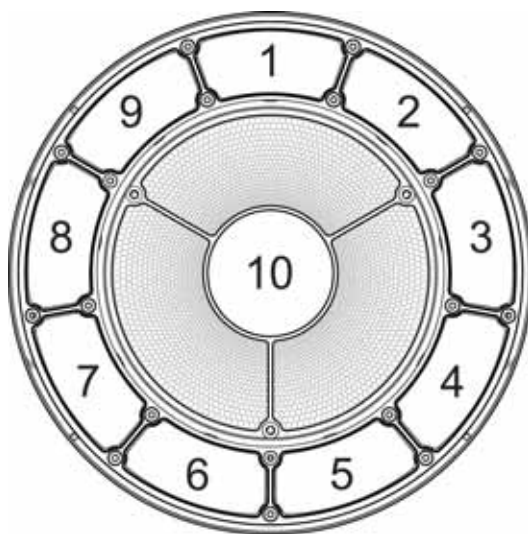
Niveaux de Programmation		Description	
<b>Setup (suite)</b>		<b>Setup Niveau Principal (suite)</b>	
<b>Swap XY</b>	<b>NO</b>	Ne pas permuter le pan et le tilt	
	<b>YES</b>	Le pan contrôle le tilt et inversement	
<b>WDMX Reset</b>	<b>NO</b>	Ne pas réinitialiser le WDMX	
	<b>YES</b>	Réinitialiser le WDMX	
<b>Backlight Timer</b>	<b>30S</b>	L'affichage s'éteint après 30 secondes	
	<b>1M</b>	L'affichage s'éteint après 1 minute	
	<b>5M</b>	L'affichage s'éteint après 5 minutes	
	<b>ON</b>	L'affichage reste allumé	
<b>Loss of Data</b>	<b>Hold</b>	Conservation du dernier signal reçu	
	<b>Close</b>	Extinction de l'unité	
<b>Fans</b>	<b>Auto</b>	La vitesse du ventilateur s'adapte à la température de l'appareil	
	<b>Full</b>	La vitesse du ventilateur est réglée sur la vitesse haute	
	<b>ECO</b>	Mode silencieux	
<b>C Mixing Mode</b>	<b>RGBW</b>	Mélange de couleur supplémentaire (0 à 100%)	
	<b>CMY</b>	Mélange de couleur retirée (100% à 0)	
<b>Dimmer Curve</b>	<b>Linear</b>	Définir la courbe de gradation	
	<b>Square</b>		
	<b>I Squa</b>		
	<b>SCurve</b>		
<b>Dimmer Speed</b>	<b>Smooth</b>	Modifier la vitesse de gradation	
	<b>Fast</b>		
<b>PWM Option</b>	<b>600Hz</b>	Permet de sélectionner la fréquence de sortie MLI	
	<b>1200Hz</b>		
	<b>2000Hz</b>		
	<b>4000Hz</b>		
	<b>6000Hz</b>		
<b>Color Balance</b>	<b>Red</b>	<b>100–255</b>	Définir la valeur maximum de LED rouge
	<b>Green</b>		Définir la valeur maximum de LED verte
	<b>Blue</b>		Définir la valeur maximum de LED bleue
	<b>White</b>		Définir la valeur maximum de LED blanche
<b>Preset Select</b>	<b>PRESET A</b>	Options de menu des préréglages enregistrés	
	<b>PRESET B</b>		
	<b>PRESET C</b>		
<b>Preset Sync</b>	<b>NO</b>	Permet de transférer les options de menu des préréglages enregistrés vers d'autres appareils Maverick MK Pyxis de la chaîne DMX en guirlande	
	<b>YES</b>		
<b>Reset Function</b>	<b>Pan/Tilt</b>	<b>NO</b>	Réinitialiser chaque fonction de manière individuelle ou toutes les fonctions à partir du démarrage
		<b>YES</b>	
	<b>Zoom</b>	<b>NO</b>	
		<b>YES</b>	
	<b>All</b>	<b>NO</b>	
		<b>YES</b>	
<b>Factory Settings</b>	<b>NO</b>	Réinitialisation aux paramètres par défaut d'usine	
	<b>YES</b>		

Niveaux de Programmation		Description
<b>Sys Info</b>		<b>Sys Info Niveau Principal</b>
<b>Sys Info</b>	<b>Ver</b>	<b>V_</b>
	<b>Running Mode</b>	---
	<b>Address</b>	---
	<b>Temperature</b>	---
	<b>Fixture Hours</b>	-----
	<b>Ip</b>	---.---.---.---
	<b>SubMask</b>	---.---.---.---
	<b>MAC</b>	---.---.---.---
<b>Fixture Information</b>		
		Affiche la version du micrologiciel
		Affiche le mode d'exécution actuel
		Affiche l'adresse de départ actuelle
		Affiche la température actuelle de l'appareil en °C
		Affiche le nombre d'heure pendant lequel l'appareil est resté allumé
		Affiche l'adresse IP actuelle
		Affiche le masque de sous-réseau actuel
		Affiche l'adresse MAC actuelle



Niveaux de Programmation			Description
<b>Sys Info (suite)</b>			<b>Sys Info Niveau Principal (suite)</b>
<b>Fan Information</b>	<b>Head Fan1 Speed</b>	----	Affiche la vitesse des ventilateurs de tête en tr/min
	<b>Head Fan2 Speed</b>	----	
<b>Error Information</b>	<b>No Error!*</b>		Affiche n'importe erreurs ou "No Error!"
<b>Channel Information</b>	<b>Frequency</b>		Affiche toutes les valeurs actuelles des signaux en entrée, 000 à 255
	<b>Pan</b>		
	<b>Pan Fine</b>		
	<b>Tilt</b>		
	<b>Tilt Fine</b>		
	<b>Pan Rotation</b>		
	<b>Tilt Rotation</b>		
	<b>P/T Speed</b>		
	<b>CTC</b>		
	<b>Color (1-2)</b>		
	<b>Pattern</b>		
	<b>LED Macro</b>		
	<b>LED Ma. Speed</b>		
	<b>LED Ma. Fine</b>		
	<b>Background</b>		
	<b>Background Dim.</b>	---	
	<b>Bg. Dim. Fine</b>		
	<b>Dimmer (A-B)</b>		
	<b>Dimmer Fine (A-B)</b>		
	<b>Shutter (1-2)</b>		
	<b>Zoom</b>		
	<b>Function</b>		
	<b>Red (tout, 1-10)</b>		
	<b>Red Fine (tout, 1-10)</b>		
	<b>Green (tout, 1-10)</b>		
	<b>Green fine (tout, 1-10)</b>		
	<b>Blue (tout, 1-10)</b>		
	<b>Blue Fine (tout, 1-10)</b>		
<b>White (tout, 1-10)</b>			
<b>White Fine (tout, 1-10)</b>			
<b>Dimmer (1-10)</b>			
<b>Dimmer Fine (1-10)</b>			

Zones pour le contrôle de pixels



Valeurs “Single Control”

“Single Control”: Mode “Tour” (131-canal)

Canal	Fonction	Valeur	Pourcentage/Paramétrage
1	Pan (balayage)	000 ⇄ 255	0–100%
2	Pan fin	000 ⇄ 255	0–100%
3	Tilt (basculement)	000 ⇄ 255	0–100%
4	Tilt fin	000 ⇄ 255	0–100%
5	Pan en continu	000	Pas de fonction
		001 ⇄ 127	Pan en continu, rapide à lent
		128	Pas de fonction
		129 ⇄ 255	Pan en continu inversé, lent à rapide
6	Tilt en continu	000	Pas de fonction
		001 ⇄ 127	Tilt en continu, rapide à lent
		128	Pas de fonction
		129 ⇄ 255	Tilt en continu inversé, lent à rapide
7	Vitesse Pan/Tilt	000 ⇄ 255	Rapide à lent
8	CTC	000	Pas de fonction
		001 ⇄ 255	Température de couleur, 2800–10000 K
9	Couleur de l'anneau	000	Pas de fonction
		001 ⇄ 002	2700K R = 156 G = 118 B = 0 W = 63
		003 ⇄ 004	3200K R = 156 G = 141 B = 5 W = 89
		005 ⇄ 006	4200K R = 156 G = 141 B = 14 W = 255
		007 ⇄ 008	5600K R = 156 G = 207 B = 54 W = 255
		009 ⇄ 010	8000K R = 130 G = 255 B = 96 W = 255
		011	Bleu R = 0 G = 0 B = 255 W = 0
		012 ⇄ 048	+ vert R = 0 G = 0–255 B = 255 W = 0
		049	Cyan R = 0 G = 255 B = 255 W = 0
		050 ⇄ 086	- bleu R = 0 G = 255 B = 255–0 W = 0
		087	Vert R = 0 G = 255 B = 0 W = 0
		088 ⇄ 124	+ rouge R = 0–255 G = 255 B = 0 W = 0
		125	Jaune R = 255 G = 255 B = 0 W = 0
		126 ⇄ 162	- vert R = 255 G = 255–0 B = 0 W = 0
		163	Rouge R = 255 G = 0 B = 0 W = 0
		164 ⇄ 200	+ bleu R = 255 G = 0 B = 0–255 W = 0
		201	Magenta R = 255 G = 0 B = 255 W = 0
		202 ⇄ 238	- rouge R = 255–0 G = 0 B = 255 W = 0
		239	Bleu R = 0 G = 0 B = 255 W = 0
		240 ⇄ 247	Changement de couleur, rapide à lent
248 ⇄ 255	Saut de couleur, rapide à lent		

Canal	Fonction	Valeur	Pourcentage/Paramétrage
<b>10</b>	<b>Couleur du faisceau</b>	000	Pas de fonction
		001 ⇔ 002	2700K R = 156 G = 118 B = 0 W = 63
		003 ⇔ 004	3200K R = 156 G = 141 B = 5 W = 89
		005 ⇔ 006	4200K R = 156 G = 141 B = 14 W = 255
		007 ⇔ 008	5600K R = 156 G = 207 B = 54 W = 255
		009 ⇔ 010	8000K R = 130 G = 255 B = 96 W = 255
		011	Bleu R = 0 G = 0 B = 255 W = 0
		012 ⇔ 048	+ vert R = 0 G = 0-255 B = 255 W = 0
		049	Cyan R = 0 G = 255 B = 255 W = 0
		050 ⇔ 086	- bleu R = 0 G = 255 B = 255-0 W = 0
		087	Vert R = 0 G = 255 B = 0 W = 0
		088 ⇔ 124	+ rouge R = 0-255 G = 255 B = 0 W = 0
		125	Jaune R = 255 G = 255 B = 0 W = 0
		126 ⇔ 162	- vert R = 255 G = 255-0 B = 0 W = 0
		163	Rouge R = 255 G = 0 B = 0 W = 0
		164 ⇔ 200	+ bleu R = 255 G = 0 B = 0-255 W = 0
		201	Magenta R = 255 G = 0 B = 255 W = 0
		202 ⇔ 238	- rouge R = 255-0 G = 0 B = 255 W = 0
		239	Bleu R = 0 G = 0 B = 255 W = 0
		240 ⇔ 247	Changement de couleur, rapide à lent
248 ⇔ 255	Saut de couleur, rapide à lent		
<b>11</b>	<b>Gobo</b>	000	Pas de fonction
		001 ⇔ 255	Gobos (indexé)
<b>12</b>	<b>Macro LED / Programme Automatique</b>	000 ⇔ 015	Pas de fonction
		016 ⇔ 135	Macros LED
		136 ⇔ 255	Programmes automatique
<b>13</b>	<b>Vitesse pour Macro LED / Programme Automatique</b>	000 ⇔ 127	Rapide à lent
		128	Attente
		129 ⇔ 255	Lent à rapide
<b>14</b>	<b>Décalage interne LED</b>	000 ⇔ 255	Rapide à lent
<b>15</b>	<b>Couleur de l'arrière plan</b>	000	Pas de fonction
		001 ⇔ 002	2700K R = 156 G = 118 B = 0 W = 63
		003 ⇔ 004	3200K R = 156 G = 141 B = 5 W = 89
		005 ⇔ 006	4200K R = 156 G = 141 B = 14 W = 255
		007 ⇔ 008	5600K R = 156 G = 207 B = 54 W = 255
		009 ⇔ 010	8000K R = 130 G = 255 B = 96 W = 255
		011	Bleu R = 0 G = 0 B = 255 W = 0
		012 ⇔ 048	+ vert R = 0 G = 0-255 B = 255 W = 0
		049	Cyan R = 0 G = 255 B = 255 W = 0
		050 ⇔ 086	- bleu R = 0 G = 255 B = 255-0 W = 0
		087	Vert R = 0 G = 255 B = 0 W = 0
		088 ⇔ 124	+ rouge R = 0-255 G = 255 B = 0 W = 0
		125	Jaune R = 255 G = 255 B = 0 W = 0
		126 ⇔ 162	- vert R = 255 G = 255-0 B = 0 W = 0
		163	Rouge R = 255 G = 0 B = 0 W = 0
		164 ⇔ 200	+ bleu R = 255 G = 0 B = 0-255 W = 0
		201	Magenta R = 255 G = 0 B = 255 W = 0
		202 ⇔ 238	- rouge R = 255-0 G = 0 B = 255 W = 0
		239	Bleu R = 0 G = 0 B = 255 W = 0
		240 ⇔ 247	Changement de couleur, rapide à lent
248 ⇔ 255	Saut de couleur, rapide à lent		
<b>16</b>	<b>Gradateur de l'arrière plan</b>	000 ⇔ 255	0-100%
<b>17</b>	<b>Gradateur fin de l'arrière plan</b>	000 ⇔ 255	0-100%
<b>18</b>	<b>Gradateur principal</b>	000 ⇔ 255	0-100%
<b>19</b>	<b>Gradateur fin principal</b>	000 ⇔ 255	0-100%

Canal	Fonction	Valeur	Pourcentage/Paramétrage
20	Obturateur de l'anneau	000 ⇄ 019	Arrêt
		020 ⇄ 024	Marche
		025 ⇄ 069	Stroboscope, rapide à lent
		070 ⇄ 089	Stroboscope 100–0%, rapide à lent
		090 ⇄ 109	Stroboscope 0–100%, rapide à lent
		110 ⇄ 129	Stroboscope aléatoire, rapide à lent
		130 ⇄ 149	Stroboscope aléatoire 100–0%, rapide à lent
		150 ⇄ 169	Stroboscope aléatoire 0–100%, rapide à lent
		170 ⇄ 189	Stroboscope pulsation, rapide à lent
		190 ⇄ 209	Stroboscope pulsation aléatoire, rapide à lent
		210 ⇄ 229	Stroboscope 0–100–0%, rapide à lent
		230 ⇄ 244	Stroboscope pulsation aléatoire, rapide à lent
		245 ⇄ 255	Marche
21	Obturateur du faisceau	000 ⇄ 019	Arrêt
		020 ⇄ 024	Marche
		025 ⇄ 069	Stroboscope, rapide à lent
		070 ⇄ 089	Stroboscope 100–0%, rapide à lent
		090 ⇄ 109	Stroboscope 0–100%, rapide à lent
		110 ⇄ 129	Stroboscope aléatoire, rapide à lent
		130 ⇄ 149	Stroboscope aléatoire 100–0%, rapide à lent
		150 ⇄ 169	Stroboscope aléatoire 0–100%, rapide à lent
		170 ⇄ 189	Stroboscope pulsation, rapide à lent
		190 ⇄ 209	Stroboscope pulsation aléatoire, rapide à lent
		210 ⇄ 229	Stroboscope 0–100–0%, rapide à lent
		230 ⇄ 244	Stroboscope pulsation aléatoire, rapide à lent
		245 ⇄ 255	Marche
22	Zoom	000 ⇄ 255	Large à étroit
23	Contrôle	000 ⇄ 009	Pas de fonction
		010 ⇄ 014	Noir général pendant le pan/tilt
		015 ⇄ 019	Réservé pour utilisation future
		020 ⇄ 024	Mode de mélange de couleur RGBW (en ajout)
		025 ⇄ 029	Mode de mélange de couleur CMY (en soustraction)
		030 ⇄ 049	Réservé pour utilisation future
		050 ⇄ 054	Réinitialisation du pan
		055 ⇄ 059	Réinitialisation du tilt
		060 ⇄ 064	Réinitialisation zoom
		065 ⇄ 069	Réservé pour utilisation future
		070 ⇄ 074	Réinitialisation totale
		075 ⇄ 109	Réservé pour utilisation future
		110 ⇄ 114	Vitesse rapide de pan/tilt
		115 ⇄ 119	Vitesse lente de pan/tilt
		120 ⇄ 124	Mode de vitesse ventilateur lente
		125 ⇄ 129	Mode de vitesse ventilateur plein régime
		130 ⇄ 134	Mode de vitesse ventilateur automatique
		135 ⇄ 139	Mode de vitesse de gradation rapide
140 ⇄ 144	Mode de vitesse de gradation lente		
145 ⇄ 255	Réservé pour utilisation future		
24	Rouge principal	000 ⇄ 255	0–100%
25	Rouge fin principal	000 ⇄ 255	0–100%
26	Vert principal	000 ⇄ 255	0–100%
27	Vert fin principal	000 ⇄ 255	0–100%
28	Bleu principal	000 ⇄ 255	0–100%
29	Bleu fin principal	000 ⇄ 255	0–100%
30	Blanc principal	000 ⇄ 255	0–100%
31	Blanc fin principal	000 ⇄ 255	0–100%

Canal	Fonction	Valeur	Pourcentage/Paramétrage
32	Gradateur 1	000 ⇔ 255	0-100%
33	Gradateur fin 1	000 ⇔ 255	0-100%
34	Rouge 1	000 ⇔ 255	0-100%
35	Rouge fin 1	000 ⇔ 255	0-100%
36	Vert 1	000 ⇔ 255	0-100%
37	Vert fin 1	000 ⇔ 255	0-100%
38	Bleu 1	000 ⇔ 255	0-100%
39	Bleu fin 1	000 ⇔ 255	0-100%
40	Blanc 1	000 ⇔ 255	0-100%
41	Blanc fin 1	000 ⇔ 255	0-100%
42	Gradateur 2	000 ⇔ 255	0-100%
43	Gradateur fin 2	000 ⇔ 255	0-100%
44	Rouge 2	000 ⇔ 255	0-100%
45	Rouge fin 2	000 ⇔ 255	0-100%
46	Vert 2	000 ⇔ 255	0-100%
47	Vert fin 2	000 ⇔ 255	0-100%
48	Bleu 2	000 ⇔ 255	0-100%
49	Bleu fin 2	000 ⇔ 255	0-100%
50	Blanc 2	000 ⇔ 255	0-100%
51	Blanc fin 2	000 ⇔ 255	0-100%
52	Gradateur 3	000 ⇔ 255	0-100%
53	Gradateur fin 3	000 ⇔ 255	0-100%
54	Rouge 3	000 ⇔ 255	0-100%
55	Rouge fin 3	000 ⇔ 255	0-100%
56	Vert 3	000 ⇔ 255	0-100%
57	Vert fin 3	000 ⇔ 255	0-100%
58	Bleu 3	000 ⇔ 255	0-100%
59	Bleu fin 3	000 ⇔ 255	0-100%
60	Blanc 3	000 ⇔ 255	0-100%
61	Blanc fin 3	000 ⇔ 255	0-100%
62	Gradateur 4	000 ⇔ 255	0-100%
63	Gradateur fin 4	000 ⇔ 255	0-100%
64	Rouge 4	000 ⇔ 255	0-100%
65	Rouge fin 4	000 ⇔ 255	0-100%
66	Vert 4	000 ⇔ 255	0-100%
67	Vert fin 4	000 ⇔ 255	0-100%
68	Bleu 4	000 ⇔ 255	0-100%
69	Bleu fin 4	000 ⇔ 255	0-100%
70	Blanc 4	000 ⇔ 255	0-100%
71	Blanc fin 4	000 ⇔ 255	0-100%
72	Gradateur 5	000 ⇔ 255	0-100%
73	Gradateur fin 5	000 ⇔ 255	0-100%
74	Rouge 5	000 ⇔ 255	0-100%
75	Rouge fin 5	000 ⇔ 255	0-100%
76	Vert 5	000 ⇔ 255	0-100%
77	Vert fin 5	000 ⇔ 255	0-100%
78	Bleu 5	000 ⇔ 255	0-100%
79	Bleu fin 5	000 ⇔ 255	0-100%
80	Blanc 5	000 ⇔ 255	0-100%
81	Blanc fin 5	000 ⇔ 255	0-100%
82	Gradateur 6	000 ⇔ 255	0-100%
83	Gradateur fin 6	000 ⇔ 255	0-100%
84	Rouge 6	000 ⇔ 255	0-100%
85	Rouge fin 6	000 ⇔ 255	0-100%

Canal	Fonction	Valeur	Pourcentage/Paramétrage
86	Vert 6	000 ⇄ 255	0–100%
87	Vert fin 6	000 ⇄ 255	0–100%
88	Bleu 6	000 ⇄ 255	0–100%
89	Bleu fin 6	000 ⇄ 255	0–100%
90	Blanc 6	000 ⇄ 255	0–100%
91	Blanc fin 6	000 ⇄ 255	0–100%
92	Gradateur 7	000 ⇄ 255	0–100%
93	Gradateur fin 7	000 ⇄ 255	0–100%
94	Rouge 7	000 ⇄ 255	0–100%
95	Rouge fin 7	000 ⇄ 255	0–100%
96	Vert 7	000 ⇄ 255	0–100%
97	Vert fin 7	000 ⇄ 255	0–100%
98	Bleu 7	000 ⇄ 255	0–100%
99	Bleu fin 7	000 ⇄ 255	0–100%
100	Blanc 7	000 ⇄ 255	0–100%
101	Blanc fin 7	000 ⇄ 255	0–100%
102	Gradateur 8	000 ⇄ 255	0–100%
103	Gradateur fin 8	000 ⇄ 255	0–100%
104	Rouge 8	000 ⇄ 255	0–100%
105	Rouge fin 8	000 ⇄ 255	0–100%
106	Vert 8	000 ⇄ 255	0–100%
107	Vert fin 8	000 ⇄ 255	0–100%
108	Bleu 8	000 ⇄ 255	0–100%
109	Bleu fin 8	000 ⇄ 255	0–100%
110	Blanc 8	000 ⇄ 255	0–100%
111	Blanc fin 8	000 ⇄ 255	0–100%
112	Gradateur 9	000 ⇄ 255	0–100%
113	Gradateur fin 9	000 ⇄ 255	0–100%
114	Rouge 9	000 ⇄ 255	0–100%
115	Rouge fin 9	000 ⇄ 255	0–100%
116	Vert 9	000 ⇄ 255	0–100%
117	Vert fin 9	000 ⇄ 255	0–100%
118	Bleu 9	000 ⇄ 255	0–100%
119	Bleu fin 9	000 ⇄ 255	0–100%
120	Blanc 9	000 ⇄ 255	0–100%
121	Blanc fin 9	000 ⇄ 255	0–100%
122	Gradateur 10	000 ⇄ 255	0–100%
123	Gradateur fin 10	000 ⇄ 255	0–100%
124	Rouge 1	000 ⇄ 255	0–100%
125	Rouge fin 10	000 ⇄ 255	0–100%
126	Vert 10	000 ⇄ 255	0–100%
127	Vert fin 10	000 ⇄ 255	0–100%
128	Bleu 10	000 ⇄ 255	0–100%
129	Bleu fin 10	000 ⇄ 255	0–100%
130	Blanc 10	000 ⇄ 255	0–100%
131	Blanc fin 10	000 ⇄ 255	0–100%

**“Single Control”: Mode “Advanced” (113-canal)**

Canal	Fonction	Valeur	Pourcentage/Paramétrage
1	<b>Pan (balayage)</b>	000 ⇔ 255	0–100%
2	<b>Pan fin</b>	000 ⇔ 255	0–100%
3	<b>Tilt (basculement)</b>	000 ⇔ 255	0–100%
4	<b>Tilt fin</b>	000 ⇔ 255	0–100%
5	<b>Pan en continu</b>	000	Pas de fonction
		001 ⇔ 127	Pan en continu, rapide à lent
		128	Pas de fonction
		129 ⇔ 255	Pan en continu inversé, lent à rapide
6	<b>Tilt en continu</b>	000	Pas de fonction
		001 ⇔ 127	Tilt en continu, rapide à lent
		128	Pas de fonction
		129 ⇔ 255	Tilt en continu inversé, lent à rapide
7	<b>Vitesse Pan/Tilt</b>	000 ⇔ 255	Rapide à lent
8	<b>CTC</b>	000	Pas de fonction
		001 ⇔ 255	Température de couleur, 2800–10000 K
9	<b>Couleur de l'anneau</b>	000	Pas de fonction
		001 ⇔ 002	2700K R = 156 G = 118 B = 0 W = 63
		003 ⇔ 004	3200K R = 156 G = 141 B = 5 W = 89
		005 ⇔ 006	4200K R = 156 G = 141 B = 14 W = 255
		007 ⇔ 008	5600K R = 156 G = 207 B = 54 W = 255
		009 ⇔ 010	8000K R = 130 G = 255 B = 96 W = 255
		011	Bleu R = 0 G = 0 B = 255 W = 0
		012 ⇔ 048	+ vert R = 0 G = 0–255 B = 255 W = 0
		049	Cyan R = 0 G = 255 B = 255 W = 0
		050 ⇔ 086	- bleu R = 0 G = 255 B = 255–0 W = 0
		087	Vert R = 0 G = 255 B = 0 W = 0
		088 ⇔ 124	+ rouge R = 0–255 G = 255 B = 0 W = 0
		125	Jaune R = 255 G = 255 B = 0 W = 0
		126 ⇔ 162	- vert R = 255 G = 255–0 B = 0 W = 0
		163	Rouge R = 255 G = 0 B = 0 W = 0
		164 ⇔ 200	+ bleu R = 255 G = 0 B = 0–255 W = 0
		201	Magenta R = 255 G = 0 B = 255 W = 0
		202 ⇔ 238	- rouge R = 255–0 G = 0 B = 255 W = 0
		239	Bleu R = 0 G = 0 B = 255 W = 0
		240 ⇔ 247	Changement de couleur, rapide à lent
248 ⇔ 255	Saut de couleur, rapide à lent		

Canal	Fonction	Valeur	Pourcentage/Paramétrage				
10	Couleur du faisceau	000	Pas de fonction				
		001 ⇄ 002	2700K	R = 156	G = 118	B = 0	W = 63
		003 ⇄ 004	3200K	R = 156	G = 141	B = 5	W = 89
		005 ⇄ 006	4200K	R = 156	G = 141	B = 14	W = 255
		007 ⇄ 008	5600K	R = 156	G = 207	B = 54	W = 255
		009 ⇄ 010	8000K	R = 130	G = 255	B = 96	W = 255
		011	Bleu	R = 0	G = 0	B = 255	W = 0
		012 ⇄ 048	+ vert	R = 0	G = 0–255	B = 255	W = 0
		049	Cyan	R = 0	G = 255	B = 255	W = 0
		050 ⇄ 086	- bleu	R = 0	G = 255	B = 255–0	W = 0
		087	Vert	R = 0	G = 255	B = 0	W = 0
		088 ⇄ 124	+ rouge	R = 0–255	G = 255	B = 0	W = 0
		125	Jaune	R = 255	G = 255	B = 0	W = 0
		126 ⇄ 162	- vert	R = 255	G = 255–0	B = 0	W = 0
		163	Rouge	R = 255	G = 0	B = 0	W = 0
		164 ⇄ 200	+ bleu	R = 255	G = 0	B = 0–255	W = 0
		201	Magenta	R = 255	G = 0	B = 255	W = 0
		202 ⇄ 238	- rouge	R = 255–0	G = 0	B = 255	W = 0
		239	Bleu	R = 0	G = 0	B = 255	W = 0
		240 ⇄ 247	Changement de couleur, rapide à lent				
248 ⇄ 255	Saut de couleur, rapide à lent						
11	Gobo	000	Pas de fonction				
		001 ⇄ 255	Gobos (indexé)				
12	Macro LED / Programme Automatique	000 ⇄ 015	Pas de fonction				
		016 ⇄ 135	Macros LED				
		136 ⇄ 255	Programmes automatique				
13	Vitesse pour Macro LED / Programme Automatique	000 ⇄ 127	Rapide à lent				
		128	Attente				
		129 ⇄ 255	Lent à rapide				
14	Décalage interne LED	000 ⇄ 255	Rapide à lent				
15	Couleur de l'arrière plan	000	Pas de fonction				
		001 ⇄ 002	2700K	R = 156	G = 118	B = 0	W = 63
		003 ⇄ 004	3200K	R = 156	G = 141	B = 5	W = 89
		005 ⇄ 006	4200K	R = 156	G = 141	B = 14	W = 255
		007 ⇄ 008	5600K	R = 156	G = 207	B = 54	W = 255
		009 ⇄ 010	8000K	R = 130	G = 255	B = 96	W = 255
		011	Bleu	R = 0	G = 0	B = 255	W = 0
		012 ⇄ 048	+ vert	R = 0	G = 0–255	B = 255	W = 0
		049	Cyan	R = 0	G = 255	B = 255	W = 0
		050 ⇄ 086	- bleu	R = 0	G = 255	B = 255–0	W = 0
		087	Vert	R = 0	G = 255	B = 0	W = 0
		088 ⇄ 124	+ rouge	R = 0–255	G = 255	B = 0	W = 0
		125	Jaune	R = 255	G = 255	B = 0	W = 0
		126 ⇄ 162	- vert	R = 255	G = 255–0	B = 0	W = 0
		163	Rouge	R = 255	G = 0	B = 0	W = 0
		164 ⇄ 200	+ bleu	R = 255	G = 0	B = 0–255	W = 0
		201	Magenta	R = 255	G = 0	B = 255	W = 0
		202 ⇄ 238	- rouge	R = 255–0	G = 0	B = 255	W = 0
		239	Bleu	R = 0	G = 0	B = 255	W = 0
		240 ⇄ 247	Changement de couleur, rapide à lent				
248 ⇄ 255	Saut de couleur, rapide à lent						
16	Gradateur de l'arrière plan	000 ⇄ 255	0–100%				
17	Gradateur fin de l'arrière plan	000 ⇄ 255	0–100%				
18	Gradateur de l'anneau	000 ⇄ 255	0–100%				
19	Gradateur fin de l'anneau	000 ⇄ 255	0–100%				



Canal	Fonction	Valeur	Pourcentage/Paramétrage
20	Gradateur du faisceau	000 ⇔ 255	0–100%
21	Gradateur fin du faisceau	000 ⇔ 255	0–100%
22	Obturbateur de l'anneau	000 ⇔ 019	Arrêt
		020 ⇔ 024	Marche
		025 ⇔ 069	Stroboscope, rapide à lent
		070 ⇔ 089	Stroboscope 100–0%, rapide à lent
		090 ⇔ 109	Stroboscope 0–100%, rapide à lent
		110 ⇔ 129	Stroboscope aléatoire, rapide à lent
		130 ⇔ 149	Stroboscope aléatoire 100–0%, rapide à lent
		150 ⇔ 169	Stroboscope aléatoire 0–100%, rapide à lent
		170 ⇔ 189	Stroboscope pulsation, rapide à lent
		190 ⇔ 209	Stroboscope pulsation aléatoire, rapide à lent
		210 ⇔ 229	Stroboscope 0–100–0%, rapide à lent
		230 ⇔ 244	Stroboscope pulsation aléatoire, rapide à lent
245 ⇔ 255	Marche		
23	Obturbateur du faisceau	000 ⇔ 019	Arrêt
		020 ⇔ 024	Marche
		025 ⇔ 069	Stroboscope, rapide à lent
		070 ⇔ 089	Stroboscope 100–0%, rapide à lent
		090 ⇔ 109	Stroboscope 0–100%, rapide à lent
		110 ⇔ 129	Stroboscope aléatoire, rapide à lent
		130 ⇔ 149	Stroboscope aléatoire 100–0%, rapide à lent
		150 ⇔ 169	Stroboscope aléatoire 0–100%, rapide à lent
		170 ⇔ 189	Stroboscope pulsation, rapide à lent
		190 ⇔ 209	Stroboscope pulsation aléatoire, rapide à lent
		210 ⇔ 229	Stroboscope 0–100–0%, rapide à lent
		230 ⇔ 244	Stroboscope pulsation aléatoire, rapide à lent
245 ⇔ 255	Marche		
24	Zoom	000 ⇔ 255	Large à étroit
25	Contrôle	000 ⇔ 009	Pas de fonction
		010 ⇔ 014	Noir général pendant le pan/tilt
		015 ⇔ 019	Réservé pour utilisation future
		020 ⇔ 024	Mode de mélange de couleur RGBW (en ajout)
		025 ⇔ 029	Mode de mélange de couleur CMY (en soustraction)
		030 ⇔ 049	Réservé pour utilisation future
		050 ⇔ 054	Réinitialisation du pan
		055 ⇔ 059	Réinitialisation du tilt
		060 ⇔ 064	Réinitialisation zoom
		065 ⇔ 069	Réservé pour utilisation future
		070 ⇔ 074	Réinitialisation totale
		075 ⇔ 109	Réservé pour utilisation future
		110 ⇔ 114	Vitesse rapide de pan/tilt
		115 ⇔ 119	Vitesse lente de pan/tilt
		120 ⇔ 124	Mode de vitesse ventilateur lente
		125 ⇔ 129	Mode de vitesse ventilateur plein régime
130 ⇔ 134	Mode de vitesse ventilateur automatique		
135 ⇔ 139	Mode de vitesse de gradation rapide		
140 ⇔ 144	Mode de vitesse de gradation lente		
145 ⇔ 255	Réservé pour utilisation future		
26	Rouge principal	000 ⇔ 255	0–100%
27	Rouge fin principal	000 ⇔ 255	0–100%
28	Vert principal	000 ⇔ 255	0–100%
29	Vert fin principal	000 ⇔ 255	0–100%
30	Bleu principal	000 ⇔ 255	0–100%
31	Bleu fin principal	000 ⇔ 255	0–100%

Canal	Fonction	Valeur	Pourcentage/Paramétrage
32	Blanc principal	000 ⇄ 255	0–100%
33	Blanc fin principal	000 ⇄ 255	0–100%
34	Rouge 1	000 ⇄ 255	0–100%
35	Rouge fin 1	000 ⇄ 255	0–100%
36	Vert 1	000 ⇄ 255	0–100%
37	Vert fin 1	000 ⇄ 255	0–100%
38	Bleu 1	000 ⇄ 255	0–100%
39	Bleu fin 1	000 ⇄ 255	0–100%
40	Blanc 1	000 ⇄ 255	0–100%
41	Blanc fin 1	000 ⇄ 255	0–100%
42	Rouge 2	000 ⇄ 255	0–100%
43	Rouge fin 2	000 ⇄ 255	0–100%
44	Vert 2	000 ⇄ 255	0–100%
45	Vert fin 2	000 ⇄ 255	0–100%
46	Bleu 2	000 ⇄ 255	0–100%
47	Bleu fin 2	000 ⇄ 255	0–100%
48	Blanc 2	000 ⇄ 255	0–100%
49	Blanc fin 2	000 ⇄ 255	0–100%
50	Rouge 3	000 ⇄ 255	0–100%
51	Rouge fin 3	000 ⇄ 255	0–100%
52	Vert 3	000 ⇄ 255	0–100%
53	Vert fin 3	000 ⇄ 255	0–100%
54	Bleu 3	000 ⇄ 255	0–100%
55	Bleu fin 3	000 ⇄ 255	0–100%
56	Blanc 3	000 ⇄ 255	0–100%
57	Blanc fin 3	000 ⇄ 255	0–100%
58	Rouge 4	000 ⇄ 255	0–100%
59	Rouge fin 4	000 ⇄ 255	0–100%
60	Vert 4	000 ⇄ 255	0–100%
61	Vert fin 4	000 ⇄ 255	0–100%
62	Bleu 4	000 ⇄ 255	0–100%
63	Bleu fin 4	000 ⇄ 255	0–100%
64	Blanc 4	000 ⇄ 255	0–100%
65	Blanc fin 4	000 ⇄ 255	0–100%
66	Rouge 5	000 ⇄ 255	0–100%
67	Rouge fin 5	000 ⇄ 255	0–100%
68	Vert 5	000 ⇄ 255	0–100%
69	Vert fin 5	000 ⇄ 255	0–100%
70	Bleu 5	000 ⇄ 255	0–100%
71	Bleu fin 5	000 ⇄ 255	0–100%
72	Blanc 5	000 ⇄ 255	0–100%
73	Blanc fin 5	000 ⇄ 255	0–100%
74	Rouge 6	000 ⇄ 255	0–100%
75	Rouge fin 6	000 ⇄ 255	0–100%
76	Vert 6	000 ⇄ 255	0–100%
77	Vert fin 6	000 ⇄ 255	0–100%
78	Bleu 6	000 ⇄ 255	0–100%
79	Bleu fin 6	000 ⇄ 255	0–100%
80	Blanc 6	000 ⇄ 255	0–100%
81	Blanc fin 6	000 ⇄ 255	0–100%
82	Rouge 7	000 ⇄ 255	0–100%
83	Rouge fin 7	000 ⇄ 255	0–100%
84	Vert 7	000 ⇄ 255	0–100%
85	Vert fin 7	000 ⇄ 255	0–100%

Canal	Fonction	Valeur	Pourcentage/Paramétrage
86	Bleu 7	000 ⇔ 255	0-100%
87	Bleu fin 7	000 ⇔ 255	0-100%
88	Blanc 7	000 ⇔ 255	0-100%
89	Blanc fin 7	000 ⇔ 255	0-100%
90	Rouge 8	000 ⇔ 255	0-100%
91	Rouge fin 8	000 ⇔ 255	0-100%
92	Vert 8	000 ⇔ 255	0-100%
93	Vert fin 8	000 ⇔ 255	0-100%
94	Bleu 8	000 ⇔ 255	0-100%
95	Bleu fin 8	000 ⇔ 255	0-100%
96	Blanc 8	000 ⇔ 255	0-100%
97	Blanc fin 8	000 ⇔ 255	0-100%
98	Rouge 9	000 ⇔ 255	0-100%
99	Rouge fin 9	000 ⇔ 255	0-100%
100	Vert 9	000 ⇔ 255	0-100%
101	Vert fin 9	000 ⇔ 255	0-100%
102	Bleu 9	000 ⇔ 255	0-100%
103	Bleu fin 9	000 ⇔ 255	0-100%
104	Blanc 9	000 ⇔ 255	0-100%
105	Blanc fin 9	000 ⇔ 255	0-100%
106	Rouge 10	000 ⇔ 255	0-100%
107	Rouge fin 10	000 ⇔ 255	0-100%
108	Vert 10	000 ⇔ 255	0-100%
109	Vert fin 10	000 ⇔ 255	0-100%
110	Bleu 10	000 ⇔ 255	0-100%
111	Bleu fin 10	000 ⇔ 255	0-100%
112	Blanc 10	000 ⇔ 255	0-100%
113	Blanc fin 10	000 ⇔ 255	0-100%

“Single Control”: Mode “Standard” (66-canal)

Canal	Fonction	Valeur	Pourcentage/Paramétrage
1	Pan (balayage)	000 ⇔ 255	0–100%
2	Pan fin	000 ⇔ 255	0–100%
3	Tilt (basculement)	000 ⇔ 255	0–100%
4	Tilt fin	000 ⇔ 255	0–100%
5	Pan en continu	000	Pas de fonction
		001 ⇔ 127	Pan en continu, rapide à lent
		128	Pas de fonction
		129 ⇔ 255	Pan en continu inversé, lent à rapide
6	Tilt en continu	000	Pas de fonction
		001 ⇔ 127	Tilt en continu, rapide à lent
		128	Pas de fonction
		129 ⇔ 255	Tilt en continu inversé, lent à rapide
7	Vitesse Pan/Tilt	000 ⇔ 255	Rapide à lent
8	CTC	000	Pas de fonction
		001 ⇔ 255	Température de couleur, 2800–10000 K
9	Couleur de l'anneau	000	Pas de fonction
		001 ⇔ 002	2700K R = 156 G = 118 B = 0 W = 63
		003 ⇔ 004	3200K R = 156 G = 141 B = 5 W = 89
		005 ⇔ 006	4200K R = 156 G = 141 B = 14 W = 255
		007 ⇔ 008	5600K R = 156 G = 207 B = 54 W = 255
		009 ⇔ 010	8000K R = 130 G = 255 B = 96 W = 255
		011	Bleu R = 0 G = 0 B = 255 W = 0
		012 ⇔ 048	+ vert R = 0 G = 0–255 B = 255 W = 0
		049	Cyan R = 0 G = 255 B = 255 W = 0
		050 ⇔ 086	- bleu R = 0 G = 255 B = 255–0 W = 0
		087	Vert R = 0 G = 255 B = 0 W = 0
		088 ⇔ 124	+ rouge R = 0–255 G = 255 B = 0 W = 0
		125	Jaune R = 255 G = 255 B = 0 W = 0
		126 ⇔ 162	- vert R = 255 G = 255–0 B = 0 W = 0
		163	Rouge R = 255 G = 0 B = 0 W = 0
		164 ⇔ 200	+ bleu R = 255 G = 0 B = 0–255 W = 0
		201	Magenta R = 255 G = 0 B = 255 W = 0
		202 ⇔ 238	- rouge R = 255–0 G = 0 B = 255 W = 0
		239	Bleu R = 0 G = 0 B = 255 W = 0
		240 ⇔ 247	Changement de couleur, rapide à lent
248 ⇔ 255	Saut de couleur, rapide à lent		

Canal	Fonction	Valeur	Pourcentage/Paramétrage				
<b>10</b>	<b>Couleur du faisceau</b>	000	Pas de fonction				
		001 ⇔ 002	2700K	R = 156	G = 118	B = 0	W = 63
		003 ⇔ 004	3200K	R = 156	G = 141	B = 5	W = 89
		005 ⇔ 006	4200K	R = 156	G = 141	B = 14	W = 255
		007 ⇔ 008	5600K	R = 156	G = 207	B = 54	W = 255
		009 ⇔ 010	8000K	R = 130	G = 255	B = 96	W = 255
		011	Bleu	R = 0	G = 0	B = 255	W = 0
		012 ⇔ 048	+ vert	R = 0	G = 0-255	B = 255	W = 0
		049	Cyan	R = 0	G = 255	B = 255	W = 0
		050 ⇔ 086	- bleu	R = 0	G = 255	B = 255-0	W = 0
		087	Vert	R = 0	G = 255	B = 0	W = 0
		088 ⇔ 124	+ rouge	R = 0-255	G = 255	B = 0	W = 0
		125	Jaune	R = 255	G = 255	B = 0	W = 0
		126 ⇔ 162	- vert	R = 255	G = 255-0	B = 0	W = 0
		163	Rouge	R = 255	G = 0	B = 0	W = 0
		164 ⇔ 200	+ bleu	R = 255	G = 0	B = 0-255	W = 0
		201	Magenta	R = 255	G = 0	B = 255	W = 0
		202 ⇔ 238	- rouge	R = 255-0	G = 0	B = 255	W = 0
		239	Bleu	R = 0	G = 0	B = 255	W = 0
		240 ⇔ 247	Changement de couleur, rapide à lent				
248 ⇔ 255	Saut de couleur, rapide à lent						
<b>11</b>	<b>Gobo</b>	000	Pas de fonction				
		001 ⇔ 255	Gobos (indexé)				
<b>12</b>	<b>Macro LED / Programme Automatique</b>	000 ⇔ 015	Pas de fonction				
		016 ⇔ 135	Macros LED				
		136 ⇔ 255	Programmes automatique				
<b>13</b>	<b>Vitesse pour Macro LED / Programme Automatique</b>	000 ⇔ 127	Rapide à lent				
		128	Attente				
		129 ⇔ 255	Lent à rapide				
<b>14</b>	<b>Décalage interne LED</b>	000 ⇔ 255	Rapide à lent				
<b>15</b>	<b>Couleur de l'arrière plan</b>	000	Pas de fonction				
		001 ⇔ 002	2700K	R = 156	G = 118	B = 0	W = 63
		003 ⇔ 004	3200K	R = 156	G = 141	B = 5	W = 89
		005 ⇔ 006	4200K	R = 156	G = 141	B = 14	W = 255
		007 ⇔ 008	5600K	R = 156	G = 207	B = 54	W = 255
		009 ⇔ 010	8000K	R = 130	G = 255	B = 96	W = 255
		011	Bleu	R = 0	G = 0	B = 255	W = 0
		012 ⇔ 048	+ vert	R = 0	G = 0-255	B = 255	W = 0
		049	Cyan	R = 0	G = 255	B = 255	W = 0
		050 ⇔ 086	- bleu	R = 0	G = 255	B = 255-0	W = 0
		087	Vert	R = 0	G = 255	B = 0	W = 0
		088 ⇔ 124	+ rouge	R = 0-255	G = 255	B = 0	W = 0
		125	Jaune	R = 255	G = 255	B = 0	W = 0
		126 ⇔ 162	- vert	R = 255	G = 255-0	B = 0	W = 0
		163	Rouge	R = 255	G = 0	B = 0	W = 0
		164 ⇔ 200	+ bleu	R = 255	G = 0	B = 0-255	W = 0
		201	Magenta	R = 255	G = 0	B = 255	W = 0
		202 ⇔ 238	- rouge	R = 255-0	G = 0	B = 255	W = 0
		239	Bleu	R = 0	G = 0	B = 255	W = 0
		240 ⇔ 247	Changement de couleur, rapide à lent				
248 ⇔ 255	Saut de couleur, rapide à lent						
<b>16</b>	<b>Gradateur de l'arrière plan</b>	000 ⇔ 255	0-100%				
<b>17</b>	<b>Gradateur de l'anneau</b>	000 ⇔ 255	0-100%				
<b>18</b>	<b>Gradateur du faisceau</b>	000 ⇔ 255	0-100%				

Canal	Fonction	Valeur	Pourcentage/Paramétrage
19	Obturbateur de l'anneau	000 ⇄ 019	Arrêt
		020 ⇄ 024	Marche
		025 ⇄ 069	Stroboscope, rapide à lent
		070 ⇄ 089	Stroboscope 100–0%, rapide à lent
		090 ⇄ 109	Stroboscope 0–100%, rapide à lent
		110 ⇄ 129	Stroboscope aléatoire, rapide à lent
		130 ⇄ 149	Stroboscope aléatoire 100–0%, rapide à lent
		150 ⇄ 169	Stroboscope aléatoire 0–100%, rapide à lent
		170 ⇄ 189	Stroboscope pulsation, rapide à lent
		190 ⇄ 209	Stroboscope pulsation aléatoire, rapide à lent
		210 ⇄ 229	Stroboscope 0–100–0%, rapide à lent
		230 ⇄ 244	Stroboscope pulsation aléatoire, rapide à lent
		245 ⇄ 255	Marche
20	Obturbateur du faisceau	000 ⇄ 019	Arrêt
		020 ⇄ 024	Marche
		025 ⇄ 069	Stroboscope, rapide à lent
		070 ⇄ 089	Stroboscope 100–0%, rapide à lent
		090 ⇄ 109	Stroboscope 0–100%, rapide à lent
		110 ⇄ 129	Stroboscope aléatoire, rapide à lent
		130 ⇄ 149	Stroboscope aléatoire 100–0%, rapide à lent
		150 ⇄ 169	Stroboscope aléatoire 0–100%, rapide à lent
		170 ⇄ 189	Stroboscope pulsation, rapide à lent
		190 ⇄ 209	Stroboscope pulsation aléatoire, rapide à lent
		210 ⇄ 229	Stroboscope 0–100–0%, rapide à lent
		230 ⇄ 244	Stroboscope pulsation aléatoire, rapide à lent
		245 ⇄ 255	Marche
21	Zoom	000 ⇄ 255	Large à étroit
22	Contrôle	000 ⇄ 009	Pas de fonction
		010 ⇄ 014	Noir général pendant le pan/tilt
		015 ⇄ 019	Réservé pour utilisation future
		020 ⇄ 024	Mode de mélange de couleur RGBW (en ajout)
		025 ⇄ 029	Mode de mélange de couleur CMY (en soustraction)
		030 ⇄ 049	Réservé pour utilisation future
		050 ⇄ 054	Réinitialisation du pan
		055 ⇄ 059	Réinitialisation du tilt
		060 ⇄ 064	Réinitialisation zoom
		065 ⇄ 069	Réservé pour utilisation future
		070 ⇄ 074	Réinitialisation totale
		075 ⇄ 109	Réservé pour utilisation future
		110 ⇄ 114	Vitesse rapide de pan/tilt
		115 ⇄ 119	Vitesse lente de pan/tilt
		120 ⇄ 124	Mode de vitesse ventilateur lente
		125 ⇄ 129	Mode de vitesse ventilateur plein régime
		130 ⇄ 134	Mode de vitesse ventilateur automatique
135 ⇄ 139	Mode de vitesse de gradation rapide		
140 ⇄ 144	Mode de vitesse de gradation lente		
145 ⇄ 255	Réservé pour utilisation future		
23	Rouge principal	000 ⇄ 255	0–100%
24	Vert principal	000 ⇄ 255	0–100%
25	Bleu principal	000 ⇄ 255	0–100%
26	Blanc principal	000 ⇄ 255	0–100%
27	Rouge 1	000 ⇄ 255	0–100%
28	Vert 1	000 ⇄ 255	0–100%
29	Bleu 1	000 ⇄ 255	0–100%
30	Blanc 1	000 ⇄ 255	0–100%

Canal	Fonction	Valeur	Pourcentage/Paramétrage
31	Rouge 2	000 ⇔ 255	0–100%
32	Vert 2	000 ⇔ 255	0–100%
33	Bleu 2	000 ⇔ 255	0–100%
34	Blanc 2	000 ⇔ 255	0–100%
35	Rouge 3	000 ⇔ 255	0–100%
36	Vert 3	000 ⇔ 255	0–100%
37	Bleu 3	000 ⇔ 255	0–100%
38	Blanc 3	000 ⇔ 255	0–100%
39	Rouge 4	000 ⇔ 255	0–100%
40	Vert 4	000 ⇔ 255	0–100%
41	Bleu 4	000 ⇔ 255	0–100%
42	Blanc 4	000 ⇔ 255	0–100%
43	Rouge 5	000 ⇔ 255	0–100%
44	Vert 5	000 ⇔ 255	0–100%
45	Bleu 5	000 ⇔ 255	0–100%
46	Blanc 5	000 ⇔ 255	0–100%
47	Rouge 6	000 ⇔ 255	0–100%
48	Vert 6	000 ⇔ 255	0–100%
49	Bleu 6	000 ⇔ 255	0–100%
50	Blanc 6	000 ⇔ 255	0–100%
51	Rouge 7	000 ⇔ 255	0–100%
52	Vert 7	000 ⇔ 255	0–100%
53	Bleu 7	000 ⇔ 255	0–100%
54	Blanc 7	000 ⇔ 255	0–100%
55	Rouge 8	000 ⇔ 255	0–100%
56	Vert 8	000 ⇔ 255	0–100%
57	Bleu 8	000 ⇔ 255	0–100%
58	Blanc 8	000 ⇔ 255	0–100%
59	Rouge 9	000 ⇔ 255	0–100%
60	Vert 9	000 ⇔ 255	0–100%
61	Bleu 9	000 ⇔ 255	0–100%
62	Blanc 9	000 ⇔ 255	0–100%
63	Rouge 10	000 ⇔ 255	0–100%
64	Vert 10	000 ⇔ 255	0–100%
65	Bleu 10	000 ⇔ 255	0–100%
66	Blanc 10	000 ⇔ 255	0–100%

**“Single Control”: Mode “Basic” (26-canal)**

Canal	Fonction	Valeur	Pourcentage/Paramétrage
1	Pan (balayage)	000 ⇔ 255	0–100%
2	Pan fin	000 ⇔ 255	0–100%
3	Tilt (basculement)	000 ⇔ 255	0–100%
4	Tilt fin	000 ⇔ 255	0–100%
5	Pan en continu	000	Pas de fonction
		001 ⇔ 127	Pan en continu, rapide à lent
		128	Pas de fonction
		129 ⇔ 255	Pan en continu inversé, lent à rapide
6	Tilt en continu	000	Pas de fonction
		001 ⇔ 127	Tilt en continu, rapide à lent
		128	Pas de fonction
		129 ⇔ 255	Tilt en continu inversé, lent à rapide
7	Vitesse Pan/Tilt	000 ⇔ 255	Rapide à lent
8	CTC	000	Pas de fonction
		001 ⇔ 255	Température de couleur, 2800–10000 K

Canal	Fonction	Valeur	Pourcentage/Paramétrage				
9	Couleur de l'anneau	000	Pas de fonction				
		001 ⇄ 002	2700K	R = 156	G = 118	B = 0	W = 63
		003 ⇄ 004	3200K	R = 156	G = 141	B = 5	W = 89
		005 ⇄ 006	4200K	R = 156	G = 141	B = 14	W = 255
		007 ⇄ 008	5600K	R = 156	G = 207	B = 54	W = 255
		009 ⇄ 010	8000K	R = 130	G = 255	B = 96	W = 255
		011	Bleu	R = 0	G = 0	B = 255	W = 0
		012 ⇄ 048	+ vert	R = 0	G = 0–255	B = 255	W = 0
		049	Cyan	R = 0	G = 255	B = 255	W = 0
		050 ⇄ 086	- bleu	R = 0	G = 255	B = 255–0	W = 0
		087	Vert	R = 0	G = 255	B = 0	W = 0
		088 ⇄ 124	+ rouge	R = 0–255	G = 255	B = 0	W = 0
		125	Jaune	R = 255	G = 255	B = 0	W = 0
		126 ⇄ 162	- vert	R = 255	G = 255–0	B = 0	W = 0
		163	Rouge	R = 255	G = 0	B = 0	W = 0
		164 ⇄ 200	+ bleu	R = 255	G = 0	B = 0–255	W = 0
		201	Magenta	R = 255	G = 0	B = 255	W = 0
		202 ⇄ 238	- rouge	R = 255–0	G = 0	B = 255	W = 0
		239	Bleu	R = 0	G = 0	B = 255	W = 0
		240 ⇄ 247	Changement de couleur, rapide à lent				
248 ⇄ 255	Saut de couleur, rapide à lent						
10	Couleur du faisceau	000	Pas de fonction				
		001 ⇄ 002	2700K	R = 156	G = 118	B = 0	W = 63
		003 ⇄ 004	3200K	R = 156	G = 141	B = 5	W = 89
		005 ⇄ 006	4200K	R = 156	G = 141	B = 14	W = 255
		007 ⇄ 008	5600K	R = 156	G = 207	B = 54	W = 255
		009 ⇄ 010	8000K	R = 130	G = 255	B = 96	W = 255
		011	Bleu	R = 0	G = 0	B = 255	W = 0
		012 ⇄ 048	+ vert	R = 0	G = 0–255	B = 255	W = 0
		049	Cyan	R = 0	G = 255	B = 255	W = 0
		050 ⇄ 086	- bleu	R = 0	G = 255	B = 255–0	W = 0
		087	Vert	R = 0	G = 255	B = 0	W = 0
		088 ⇄ 124	+ rouge	R = 0–255	G = 255	B = 0	W = 0
		125	Jaune	R = 255	G = 255	B = 0	W = 0
		126 ⇄ 162	- vert	R = 255	G = 255–0	B = 0	W = 0
		163	Rouge	R = 255	G = 0	B = 0	W = 0
		164 ⇄ 200	+ bleu	R = 255	G = 0	B = 0–255	W = 0
		201	Magenta	R = 255	G = 0	B = 255	W = 0
		202 ⇄ 238	- rouge	R = 255–0	G = 0	B = 255	W = 0
		239	Bleu	R = 0	G = 0	B = 255	W = 0
		240 ⇄ 247	Changement de couleur, rapide à lent				
248 ⇄ 255	Saut de couleur, rapide à lent						
11	Gobo	000	Pas de fonction				
		001 ⇄ 255	Gobos (indexé)				
12	Macro LED / Programme Automatique	000 ⇄ 015	Pas de fonction				
		016 ⇄ 135	Macros LED				
		136 ⇄ 255	Programmes automatique				
13	Vitesse pour Macro LED / Programme Automatique	000 ⇄ 127	Rapide à lent				
		128	Attente				
		129 ⇄ 255	Lent à rapide				
14	Décalage interne LED	000 ⇄ 255	Rapide à lent				



Canal	Fonction	Valeur	Pourcentage/Paramétrage
<b>15</b>	<b>Couleur de l'arrière plan</b>	000	Pas de fonction
		001 ⇔ 002	2700K R = 156 G = 118 B = 0 W = 63
		003 ⇔ 004	3200K R = 156 G = 141 B = 5 W = 89
		005 ⇔ 006	4200K R = 156 G = 141 B = 14 W = 255
		007 ⇔ 008	5600K R = 156 G = 207 B = 54 W = 255
		009 ⇔ 010	8000K R = 130 G = 255 B = 96 W = 255
		011	Bleu R = 0 G = 0 B = 255 W = 0
		012 ⇔ 048	+ vert R = 0 G = 0-255 B = 255 W = 0
		049	Cyan R = 0 G = 255 B = 255 W = 0
		050 ⇔ 086	- bleu R = 0 G = 255 B = 255-0 W = 0
		087	Vert R = 0 G = 255 B = 0 W = 0
		088 ⇔ 124	+ rouge R = 0-255 G = 255 B = 0 W = 0
		125	Jaune R = 255 G = 255 B = 0 W = 0
		126 ⇔ 162	- vert R = 255 G = 255-0 B = 0 W = 0
		163	Rouge R = 255 G = 0 B = 0 W = 0
		164 ⇔ 200	+ bleu R = 255 G = 0 B = 0-255 W = 0
		201	Magenta R = 255 G = 0 B = 255 W = 0
		202 ⇔ 238	- rouge R = 255-0 G = 0 B = 255 W = 0
		239	Bleu R = 0 G = 0 B = 255 W = 0
		240 ⇔ 247	Changement de couleur, rapide à lent
248 ⇔ 255	Saut de couleur, rapide à lent		
<b>16</b>	<b>Gradateur de l'arrière plan</b>	000 ⇔ 255	0-100%
<b>17</b>	<b>Gradateur de l'anneau</b>	000 ⇔ 255	0-100%
<b>18</b>	<b>Gradateur du faisceau</b>	000 ⇔ 255	0-100%
<b>19</b>	<b>Obturbateur de l'anneau</b>	000 ⇔ 019	Arrêt
		020 ⇔ 024	Marche
		025 ⇔ 069	Stroboscope, rapide à lent
		070 ⇔ 089	Stroboscope 100-0%, rapide à lent
		090 ⇔ 109	Stroboscope 0-100%, rapide à lent
		110 ⇔ 129	Stroboscope aléatoire, rapide à lent
		130 ⇔ 149	Stroboscope aléatoire 100-0%, rapide à lent
		150 ⇔ 169	Stroboscope aléatoire 0-100%, rapide à lent
		170 ⇔ 189	Stroboscope pulsation, rapide à lent
		190 ⇔ 209	Stroboscope pulsation aléatoire, rapide à lent
		210 ⇔ 229	Stroboscope 0-100-0%, rapide à lent
		230 ⇔ 244	Stroboscope pulsation aléatoire, rapide à lent
		245 ⇔ 255	Marche
<b>20</b>	<b>Obturbateur du faisceau</b>	000 ⇔ 019	Arrêt
		020 ⇔ 024	Marche
		025 ⇔ 069	Stroboscope, rapide à lent
		070 ⇔ 089	Stroboscope 100-0%, rapide à lent
		090 ⇔ 109	Stroboscope 0-100%, rapide à lent
		110 ⇔ 129	Stroboscope aléatoire, rapide à lent
		130 ⇔ 149	Stroboscope aléatoire 100-0%, rapide à lent
		150 ⇔ 169	Stroboscope aléatoire 0-100%, rapide à lent
		170 ⇔ 189	Stroboscope pulsation, rapide à lent
		190 ⇔ 209	Stroboscope pulsation aléatoire, rapide à lent
		210 ⇔ 229	Stroboscope 0-100-0%, rapide à lent
		230 ⇔ 244	Stroboscope pulsation aléatoire, rapide à lent
		245 ⇔ 255	Marche
<b>21</b>	<b>Zoom</b>	000 ⇔ 255	Large à étroit

Canal	Fonction	Valeur	Pourcentage/Paramétrage
22	Contrôle	000 ⇄ 009	Pas de fonction
		010 ⇄ 014	Noir général pendant le pan/tilt
		015 ⇄ 019	Réservé pour utilisation future
		020 ⇄ 024	Mode de mélange de couleur RGBW (en ajout)
		025 ⇄ 029	Mode de mélange de couleur CMY (en soustraction)
		030 ⇄ 049	Réservé pour utilisation future
		050 ⇄ 054	Réinitialisation du pan
		055 ⇄ 059	Réinitialisation du tilt
		060 ⇄ 064	Réinitialisation zoom
		065 ⇄ 069	Réservé pour utilisation future
		070 ⇄ 074	Réinitialisation totale
		075 ⇄ 109	Réservé pour utilisation future
		110 ⇄ 114	Vitesse rapide de pan/tilt
		115 ⇄ 119	Vitesse lente de pan/tilt
		120 ⇄ 124	Mode de vitesse ventilateur lente
		125 ⇄ 129	Mode de vitesse ventilateur plein régime
		130 ⇄ 134	Mode de vitesse ventilateur automatique
135 ⇄ 139	Mode de vitesse de gradation rapide		
140 ⇄ 144	Mode de vitesse de gradation lente		
145 ⇄ 255	Réservé pour utilisation future		
23	Rouge principal	000 ⇄ 255	0–100%
24	Vert principal	000 ⇄ 255	0–100%
25	Bleu principal	000 ⇄ 255	0–100%
26	Blanc principal	000 ⇄ 255	0–100%

**Valeurs “Dual Control” (Movement)**
**“Dual Control”: Mode “Advanced Movement” (41-canal)**

Canal	Fonction	Valeur	Pourcentage/Paramétrage
1	Pan (balayage)	000 ⇔ 255	0–100%
2	Pan fin	000 ⇔ 255	0–100%
3	Tilt (basculement)	000 ⇔ 255	0–100%
4	Tilt fin	000 ⇔ 255	0–100%
5	Pan en continu	000	Pas de fonction
		001 ⇔ 127	Pan en continu, rapide à lent
		128	Pas de fonction
		129 ⇔ 255	Pan en continu inversé, lent à rapide
6	Tilt en continu	000	Pas de fonction
		001 ⇔ 127	Tilt en continu, rapide à lent
		128	Pas de fonction
		129 ⇔ 255	Tilt en continu inversé, lent à rapide
7	Vitesse Pan/Tilt	000 ⇔ 255	Rapide à lent
8	CTC	000	Pas de fonction
		001 ⇔ 255	Température de couleur, 2800–10000 K
9	Couleur de l'anneau	000	Pas de fonction
		001 ⇔ 002	2700K R = 156 G = 118 B = 0 W = 63
		003 ⇔ 004	3200K R = 156 G = 141 B = 5 W = 89
		005 ⇔ 006	4200K R = 156 G = 141 B = 14 W = 255
		007 ⇔ 008	5600K R = 156 G = 207 B = 54 W = 255
		009 ⇔ 010	8000K R = 130 G = 255 B = 96 W = 255
		011	Bleu R = 0 G = 0 B = 255 W = 0
		012 ⇔ 048	+ vert R = 0 G = 0–255 B = 255 W = 0
		049	Cyan R = 0 G = 255 B = 255 W = 0
		050 ⇔ 086	- bleu R = 0 G = 255 B = 255–0 W = 0
		087	Vert R = 0 G = 255 B = 0 W = 0
		088 ⇔ 124	+ rouge R = 0–255 G = 255 B = 0 W = 0
		125	Jaune R = 255 G = 255 B = 0 W = 0
		126 ⇔ 162	- vert R = 255 G = 255–0 B = 0 W = 0
		163	Rouge R = 255 G = 0 B = 0 W = 0
		164 ⇔ 200	+ bleu R = 255 G = 0 B = 0–255 W = 0
		201	Magenta R = 255 G = 0 B = 255 W = 0
		202 ⇔ 238	- rouge R = 255–0 G = 0 B = 255 W = 0
		239	Bleu R = 0 G = 0 B = 255 W = 0
		240 ⇔ 247	Changement de couleur, rapide à lent
248 ⇔ 255	Saut de couleur, rapide à lent		

Canal	Fonction	Valeur	Pourcentage/Paramétrage				
10	Couleur du faisceau	000	Pas de fonction				
		001 ⇄ 002	2700K	R = 156	G = 118	B = 0	W = 63
		003 ⇄ 004	3200K	R = 156	G = 141	B = 5	W = 89
		005 ⇄ 006	4200K	R = 156	G = 141	B = 14	W = 255
		007 ⇄ 008	5600K	R = 156	G = 207	B = 54	W = 255
		009 ⇄ 010	8000K	R = 130	G = 255	B = 96	W = 255
		011	Bleu	R = 0	G = 0	B = 255	W = 0
		012 ⇄ 048	+ vert	R = 0	G = 0–255	B = 255	W = 0
		049	Cyan	R = 0	G = 255	B = 255	W = 0
		050 ⇄ 086	- bleu	R = 0	G = 255	B = 255–0	W = 0
		087	Vert	R = 0	G = 255	B = 0	W = 0
		088 ⇄ 124	+ rouge	R = 0–255	G = 255	B = 0	W = 0
		125	Jaune	R = 255	G = 255	B = 0	W = 0
		126 ⇄ 162	- vert	R = 255	G = 255–0	B = 0	W = 0
		163	Rouge	R = 255	G = 0	B = 0	W = 0
		164 ⇄ 200	+ bleu	R = 255	G = 0	B = 0–255	W = 0
		201	Magenta	R = 255	G = 0	B = 255	W = 0
		202 ⇄ 238	- rouge	R = 255–0	G = 0	B = 255	W = 0
		239	Bleu	R = 0	G = 0	B = 255	W = 0
		240 ⇄ 247	Changement de couleur, rapide à lent				
248 ⇄ 255	Saut de couleur, rapide à lent						
11	Gobo	000	Pas de fonction				
		001 ⇄ 255	Gobos (indexé)				
12	Macro LED / Programme Automatique	000 ⇄ 015	Pas de fonction				
		016 ⇄ 135	Macros LED				
		136 ⇄ 255	Programmes automatique				
13	Vitesse pour Macro LED / Programme Automatique	000 ⇄ 127	Rapide à lent				
		128	Attente				
		129 ⇄ 255	Lent à rapide				
14	Décalage interne LED	000 ⇄ 255	Rapide à lent				
15	Couleur de l'arrière plan	000	Pas de fonction				
		001 ⇄ 002	2700K	R = 156	G = 118	B = 0	W = 63
		003 ⇄ 004	3200K	R = 156	G = 141	B = 5	W = 89
		005 ⇄ 006	4200K	R = 156	G = 141	B = 14	W = 255
		007 ⇄ 008	5600K	R = 156	G = 207	B = 54	W = 255
		009 ⇄ 010	8000K	R = 130	G = 255	B = 96	W = 255
		011	Bleu	R = 0	G = 0	B = 255	W = 0
		012 ⇄ 048	+ vert	R = 0	G = 0–255	B = 255	W = 0
		049	Cyan	R = 0	G = 255	B = 255	W = 0
		050 ⇄ 086	- bleu	R = 0	G = 255	B = 255–0	W = 0
		087	Vert	R = 0	G = 255	B = 0	W = 0
		088 ⇄ 124	+ rouge	R = 0–255	G = 255	B = 0	W = 0
		125	Jaune	R = 255	G = 255	B = 0	W = 0
		126 ⇄ 162	- vert	R = 255	G = 255–0	B = 0	W = 0
		163	Rouge	R = 255	G = 0	B = 0	W = 0
		164 ⇄ 200	+ bleu	R = 255	G = 0	B = 0–255	W = 0
		201	Magenta	R = 255	G = 0	B = 255	W = 0
		202 ⇄ 238	- rouge	R = 255–0	G = 0	B = 255	W = 0
		239	Bleu	R = 0	G = 0	B = 255	W = 0
		240 ⇄ 247	Changement de couleur, rapide à lent				
248 ⇄ 255	Saut de couleur, rapide à lent						
16	Gradateur de l'arrière plan	000 ⇄ 255	0–100%				
17	Gradateur fin de l'arrière plan	000 ⇄ 255	0–100%				
18	Gradateur de l'anneau	000 ⇄ 255	0–100%				
19	Gradateur fin de l'anneau	000 ⇄ 255	0–100%				

Canal	Fonction	Valeur	Pourcentage/Paramétrage
20	Gradateur du faisceau	000 ⇔ 255	0–100%
21	Gradateur fin du faisceau	000 ⇔ 255	0–100%
22	Obturateur de l'anneau	000 ⇔ 019	Arrêt
		020 ⇔ 024	Marche
		025 ⇔ 069	Stroboscope, rapide à lent
		070 ⇔ 089	Stroboscope 100–0%, rapide à lent
		090 ⇔ 109	Stroboscope 0–100%, rapide à lent
		110 ⇔ 129	Stroboscope aléatoire, rapide à lent
		130 ⇔ 149	Stroboscope aléatoire 100–0%, rapide à lent
		150 ⇔ 169	Stroboscope aléatoire 0–100%, rapide à lent
		170 ⇔ 189	Stroboscope pulsation, rapide à lent
		190 ⇔ 209	Stroboscope pulsation aléatoire, rapide à lent
		210 ⇔ 229	Stroboscope 0–100–0%, rapide à lent
		230 ⇔ 244	Stroboscope pulsation aléatoire, rapide à lent
245 ⇔ 255	Marche		
23	Obturateur du faisceau	000 ⇔ 019	Arrêt
		020 ⇔ 024	Marche
		025 ⇔ 069	Stroboscope, rapide à lent
		070 ⇔ 089	Stroboscope 100–0%, rapide à lent
		090 ⇔ 109	Stroboscope 0–100%, rapide à lent
		110 ⇔ 129	Stroboscope aléatoire, rapide à lent
		130 ⇔ 149	Stroboscope aléatoire 100–0%, rapide à lent
		150 ⇔ 169	Stroboscope aléatoire 0–100%, rapide à lent
		170 ⇔ 189	Stroboscope pulsation, rapide à lent
		190 ⇔ 209	Stroboscope pulsation aléatoire, rapide à lent
		210 ⇔ 229	Stroboscope 0–100–0%, rapide à lent
		230 ⇔ 244	Stroboscope pulsation aléatoire, rapide à lent
245 ⇔ 255	Marche		
24	Zoom	000 ⇔ 255	Large à étroit
25	Contrôle	000 ⇔ 009	Pas de fonction
		010 ⇔ 014	Noir général pendant le pan/tilt
		015 ⇔ 019	Réservé pour utilisation future
		020 ⇔ 024	Mode de mélange de couleur RGBW (en ajout)
		025 ⇔ 029	Mode de mélange de couleur CMY (en soustraction)
		030 ⇔ 049	Réservé pour utilisation future
		050 ⇔ 054	Réinitialisation du pan
		055 ⇔ 059	Réinitialisation du tilt
		060 ⇔ 064	Réinitialisation zoom
		065 ⇔ 069	Réservé pour utilisation future
		070 ⇔ 074	Réinitialisation totale
		075 ⇔ 109	Réservé pour utilisation future
		110 ⇔ 114	Vitesse rapide de pan/tilt
		115 ⇔ 119	Vitesse lente de pan/tilt
		120 ⇔ 124	Mode de vitesse ventilateur lente
		125 ⇔ 129	Mode de vitesse ventilateur plein régime
		130 ⇔ 134	Mode de vitesse ventilateur automatique
135 ⇔ 139	Mode de vitesse de gradation rapide		
140 ⇔ 144	Mode de vitesse de gradation lente		
145 ⇔ 255	Réservé pour utilisation future		
26	Anneau rouge	000 ⇔ 255	0–100%
27	Anneau rouge fin	000 ⇔ 255	0–100%
28	Faisceau rouge	000 ⇔ 255	0–100%
29	Faisceau rouge fin	000 ⇔ 255	0–100%
30	Anneau vert	000 ⇔ 255	0–100%
31	Anneau vert fin	000 ⇔ 255	0–100%

Canal	Fonction	Valeur	Pourcentage/Paramétrage
32	Faisceau vert	000 ⇄ 255	0–100%
33	Faisceau vert fin	000 ⇄ 255	0–100%
34	Anneau bleu	000 ⇄ 255	0–100%
35	Anneau bleu fin	000 ⇄ 255	0–100%
36	Faisceau bleu	000 ⇄ 255	0–100%
37	Faisceau bleu fin	000 ⇄ 255	0–100%
38	Anneau blanc	000 ⇄ 255	0–100%
39	Anneau blanc fin	000 ⇄ 255	0–100%
40	Faisceau blanc	000 ⇄ 255	0–100%
41	Faisceau blanc fin	000 ⇄ 255	0–100%

“Dual Control”: Mode “Standard Movement” (30-canal)

Canal	Fonction	Valeur	Pourcentage/Paramétrage
1	Pan (balayage)	000 ⇄ 255	0–100%
2	Pan fin	000 ⇄ 255	0–100%
3	Tilt (basculement)	000 ⇄ 255	0–100%
4	Tilt fin	000 ⇄ 255	0–100%
5	Pan en continu	000	Pas de fonction
		001 ⇄ 127	Pan en continu, rapide à lent
		128	Pas de fonction
		129 ⇄ 255	Pan en continu inversé, lent à rapide
6	Tilt en continu	000	Pas de fonction
		001 ⇄ 127	Tilt en continu, rapide à lent
		128	Pas de fonction
		129 ⇄ 255	Tilt en continu inversé, lent à rapide
7	Vitesse Pan/Tilt	000 ⇄ 255	Rapide à lent
8	CTC	000	Pas de fonction
		001 ⇄ 255	Température de couleur, 2800–10000 K
9	Couleur de l'anneau	000	Pas de fonction
		001 ⇄ 002	2700K R = 156 G = 118 B = 0 W = 63
		003 ⇄ 004	3200K R = 156 G = 141 B = 5 W = 89
		005 ⇄ 006	4200K R = 156 G = 141 B = 14 W = 255
		007 ⇄ 008	5600K R = 156 G = 207 B = 54 W = 255
		009 ⇄ 010	8000K R = 130 G = 255 B = 96 W = 255
		011	Bleu R = 0 G = 0 B = 255 W = 0
		012 ⇄ 048	+ vert R = 0 G = 0–255 B = 255 W = 0
		049	Cyan R = 0 G = 255 B = 255 W = 0
		050 ⇄ 086	- bleu R = 0 G = 255 B = 255–0 W = 0
		087	Vert R = 0 G = 255 B = 0 W = 0
		088 ⇄ 124	+ rouge R = 0–255 G = 255 B = 0 W = 0
		125	Jaune R = 255 G = 255 B = 0 W = 0
		126 ⇄ 162	- vert R = 255 G = 255–0 B = 0 W = 0
		163	Rouge R = 255 G = 0 B = 0 W = 0
		164 ⇄ 200	+ bleu R = 255 G = 0 B = 0–255 W = 0
		201	Magenta R = 255 G = 0 B = 255 W = 0
		202 ⇄ 238	- rouge R = 255–0 G = 0 B = 255 W = 0
		239	Bleu R = 0 G = 0 B = 255 W = 0
		240 ⇄ 247	Changement de couleur, rapide à lent
248 ⇄ 255	Saut de couleur, rapide à lent		

Canal	Fonction	Valeur	Pourcentage/Paramétrage				
<b>10</b>	<b>Couleur du faisceau</b>	000	Pas de fonction				
		001 ⇔ 002	2700K	R = 156	G = 118	B = 0	W = 63
		003 ⇔ 004	3200K	R = 156	G = 141	B = 5	W = 89
		005 ⇔ 006	4200K	R = 156	G = 141	B = 14	W = 255
		007 ⇔ 008	5600K	R = 156	G = 207	B = 54	W = 255
		009 ⇔ 010	8000K	R = 130	G = 255	B = 96	W = 255
		011	Bleu	R = 0	G = 0	B = 255	W = 0
		012 ⇔ 048	+ vert	R = 0	G = 0-255	B = 255	W = 0
		049	Cyan	R = 0	G = 255	B = 255	W = 0
		050 ⇔ 086	- bleu	R = 0	G = 255	B = 255-0	W = 0
		087	Vert	R = 0	G = 255	B = 0	W = 0
		088 ⇔ 124	+ rouge	R = 0-255	G = 255	B = 0	W = 0
		125	Jaune	R = 255	G = 255	B = 0	W = 0
		126 ⇔ 162	- vert	R = 255	G = 255-0	B = 0	W = 0
		163	Rouge	R = 255	G = 0	B = 0	W = 0
		164 ⇔ 200	+ bleu	R = 255	G = 0	B = 0-255	W = 0
		201	Magenta	R = 255	G = 0	B = 255	W = 0
		202 ⇔ 238	- rouge	R = 255-0	G = 0	B = 255	W = 0
		239	Bleu	R = 0	G = 0	B = 255	W = 0
		240 ⇔ 247	Changement de couleur, rapide à lent				
248 ⇔ 255	Saut de couleur, rapide à lent						
<b>11</b>	<b>Gobo</b>	000	Pas de fonction				
		001 ⇔ 255	Gobos (indexé)				
<b>12</b>	<b>Macro LED / Programme Automatique</b>	000 ⇔ 015	Pas de fonction				
		016 ⇔ 135	Macros LED				
		136 ⇔ 255	Programmes automatique				
<b>13</b>	<b>Vitesse pour Macro LED / Programme Automatique</b>	000 ⇔ 127	Rapide à lent				
		128	Attente				
		129 ⇔ 255	Lent à rapide				
<b>14</b>	<b>Décalage interne LED</b>	000 ⇔ 255	Rapide à lent				
<b>15</b>	<b>Couleur de l'arrière plan</b>	000	Pas de fonction				
		001 ⇔ 002	2700K	R = 156	G = 118	B = 0	W = 63
		003 ⇔ 004	3200K	R = 156	G = 141	B = 5	W = 89
		005 ⇔ 006	4200K	R = 156	G = 141	B = 14	W = 255
		007 ⇔ 008	5600K	R = 156	G = 207	B = 54	W = 255
		009 ⇔ 010	8000K	R = 130	G = 255	B = 96	W = 255
		011	Bleu	R = 0	G = 0	B = 255	W = 0
		012 ⇔ 048	+ vert	R = 0	G = 0-255	B = 255	W = 0
		049	Cyan	R = 0	G = 255	B = 255	W = 0
		050 ⇔ 086	- bleu	R = 0	G = 255	B = 255-0	W = 0
		087	Vert	R = 0	G = 255	B = 0	W = 0
		088 ⇔ 124	+ rouge	R = 0-255	G = 255	B = 0	W = 0
		125	Jaune	R = 255	G = 255	B = 0	W = 0
		126 ⇔ 162	- vert	R = 255	G = 255-0	B = 0	W = 0
		163	Rouge	R = 255	G = 0	B = 0	W = 0
		164 ⇔ 200	+ bleu	R = 255	G = 0	B = 0-255	W = 0
		201	Magenta	R = 255	G = 0	B = 255	W = 0
		202 ⇔ 238	- rouge	R = 255-0	G = 0	B = 255	W = 0
		239	Bleu	R = 0	G = 0	B = 255	W = 0
		240 ⇔ 247	Changement de couleur, rapide à lent				
248 ⇔ 255	Saut de couleur, rapide à lent						
<b>16</b>	<b>Gradateur de l'arrière plan</b>	000 ⇔ 255	0-100%				
<b>17</b>	<b>Gradateur de l'anneau</b>	000 ⇔ 255	0-100%				
<b>18</b>	<b>Gradateur du faisceau</b>	000 ⇔ 255	0-100%				

Canal	Fonction	Valeur	Pourcentage/Paramétrage
19	Obturbateur de l'anneau	000 ⇄ 019	Arrêt
		020 ⇄ 024	Marche
		025 ⇄ 069	Stroboscope, rapide à lent
		070 ⇄ 089	Stroboscope 100–0%, rapide à lent
		090 ⇄ 109	Stroboscope 0–100%, rapide à lent
		110 ⇄ 129	Stroboscope aléatoire, rapide à lent
		130 ⇄ 149	Stroboscope aléatoire 100–0%, rapide à lent
		150 ⇄ 169	Stroboscope aléatoire 0–100%, rapide à lent
		170 ⇄ 189	Stroboscope pulsation, rapide à lent
		190 ⇄ 209	Stroboscope pulsation aléatoire, rapide à lent
		210 ⇄ 229	Stroboscope 0–100–0%, rapide à lent
		230 ⇄ 244	Stroboscope pulsation aléatoire, rapide à lent
		245 ⇄ 255	Marche
20	Obturbateur du faisceau	000 ⇄ 019	Arrêt
		020 ⇄ 024	Marche
		025 ⇄ 069	Stroboscope, rapide à lent
		070 ⇄ 089	Stroboscope 100–0%, rapide à lent
		090 ⇄ 109	Stroboscope 0–100%, rapide à lent
		110 ⇄ 129	Stroboscope aléatoire, rapide à lent
		130 ⇄ 149	Stroboscope aléatoire 100–0%, rapide à lent
		150 ⇄ 169	Stroboscope aléatoire 0–100%, rapide à lent
		170 ⇄ 189	Stroboscope pulsation, rapide à lent
		190 ⇄ 209	Stroboscope pulsation aléatoire, rapide à lent
		210 ⇄ 229	Stroboscope 0–100–0%, rapide à lent
		230 ⇄ 244	Stroboscope pulsation aléatoire, rapide à lent
		245 ⇄ 255	Marche
21	Zoom	000 ⇄ 255	Large à étroit
22	Contrôle	000 ⇄ 009	Pas de fonction
		010 ⇄ 014	Noir général pendant le pan/tilt
		015 ⇄ 019	Réservé pour utilisation future
		020 ⇄ 024	Mode de mélange de couleur RGBW (en ajout)
		025 ⇄ 029	Mode de mélange de couleur CMY (en soustraction)
		030 ⇄ 049	Réservé pour utilisation future
		050 ⇄ 054	Réinitialisation du pan
		055 ⇄ 059	Réinitialisation du tilt
		060 ⇄ 064	Réinitialisation zoom
		065 ⇄ 069	Réservé pour utilisation future
		070 ⇄ 074	Réinitialisation totale
		075 ⇄ 109	Réservé pour utilisation future
		110 ⇄ 114	Vitesse rapide de pan/tilt
		115 ⇄ 119	Vitesse lente de pan/tilt
		120 ⇄ 124	Mode de vitesse ventilateur lente
		125 ⇄ 129	Mode de vitesse ventilateur plein régime
		130 ⇄ 134	Mode de vitesse ventilateur automatique
135 ⇄ 139	Mode de vitesse de gradation rapide		
140 ⇄ 144	Mode de vitesse de gradation lente		
145 ⇄ 255	Réservé pour utilisation future		
23	Anneau rouge	000 ⇄ 255	0–100%
24	Faisceau rouge	000 ⇄ 255	0–100%
25	Anneau vert	000 ⇄ 255	0–100%
26	Faisceau vert	000 ⇄ 255	0–100%
27	Anneau bleu	000 ⇄ 255	0–100%
28	Faisceau bleu	000 ⇄ 255	0–100%
29	Anneau blanc	000 ⇄ 255	0–100%
30	Faisceau blanc	000 ⇄ 255	0–100%



**“Dual Control” : Mode “Basic Movement” (13-canal)**

Canal	Fonction	Valeur	Pourcentage/Paramétrage
1	<b>Pan (balayage)</b>	000 ⇔ 255	0–100%
2	<b>Pan fin</b>	000 ⇔ 255	0–100%
3	<b>Tilt (basculement)</b>	000 ⇔ 255	0–100%
4	<b>Tilt fin</b>	000 ⇔ 255	0–100%
5	<b>Pan en continu</b>	000	Pas de fonction
		001 ⇔ 127	Pan en continu, rapide à lent
		128	Pas de fonction
		129 ⇔ 255	Pan en continu inversé, lent à rapide
6	<b>Tilt en continu</b>	000	Pas de fonction
		001 ⇔ 127	Tilt en continu, rapide à lent
		128	Pas de fonction
		129 ⇔ 255	Tilt en continu inversé, lent à rapide
7	<b>Vitesse Pan/Tilt</b>	000 ⇔ 255	Rapide à lent
8	<b>Gradateur de l'anneau</b>	000 ⇔ 255	0–100%
9	<b>Gradateur du faisceau</b>	000 ⇔ 255	0–100%
10	<b>Obturbateur de l'anneau</b>	000 ⇔ 019	Arrêt
		020 ⇔ 024	Marche
		025 ⇔ 069	Stroboscope, rapide à lent
		070 ⇔ 089	Stroboscope 100–0%, rapide à lent
		090 ⇔ 109	Stroboscope 0–100%, rapide à lent
		110 ⇔ 129	Stroboscope aléatoire, rapide à lent
		130 ⇔ 149	Stroboscope aléatoire 100–0%, rapide à lent
		150 ⇔ 169	Stroboscope aléatoire 0–100%, rapide à lent
		170 ⇔ 189	Stroboscope pulsation, rapide à lent
		190 ⇔ 209	Stroboscope pulsation aléatoire, rapide à lent
		210 ⇔ 229	Stroboscope 0–100–0%, rapide à lent
		230 ⇔ 244	Stroboscope pulsation aléatoire, rapide à lent
245 ⇔ 255	Marche		
11	<b>Obturbateur du faisceau</b>	000 ⇔ 019	Arrêt
		020 ⇔ 024	Marche
		025 ⇔ 069	Stroboscope, rapide à lent
		070 ⇔ 089	Stroboscope 100–0%, rapide à lent
		090 ⇔ 109	Stroboscope 0–100%, rapide à lent
		110 ⇔ 129	Stroboscope aléatoire, rapide à lent
		130 ⇔ 149	Stroboscope aléatoire 100–0%, rapide à lent
		150 ⇔ 169	Stroboscope aléatoire 0–100%, rapide à lent
		170 ⇔ 189	Stroboscope pulsation, rapide à lent
		190 ⇔ 209	Stroboscope pulsation aléatoire, rapide à lent
		210 ⇔ 229	Stroboscope 0–100–0%, rapide à lent
		230 ⇔ 244	Stroboscope pulsation aléatoire, rapide à lent
245 ⇔ 255	Marche		
12	<b>Zoom</b>	000 ⇔ 255	Large à étroit

Canal	Fonction	Valeur	Pourcentage/Paramétrage
13	Contrôle	000 ⇄ 009	Pas de fonction
		010 ⇄ 014	Noir général pendant le pan/tilt
		015 ⇄ 019	Réservé pour utilisation future
		020 ⇄ 024	Mode de mélange de couleur RGBW (en ajout)
		025 ⇄ 029	Mode de mélange de couleur CMY (en soustraction)
		030 ⇄ 049	Réservé pour utilisation future
		050 ⇄ 054	Réinitialisation du pan
		055 ⇄ 059	Réinitialisation du tilt
		060 ⇄ 064	Réinitialisation zoom
		065 ⇄ 069	Réservé pour utilisation future
		070 ⇄ 074	Réinitialisation totale
		075 ⇄ 109	Réservé pour utilisation future
		110 ⇄ 114	Vitesse rapide de pan/tilt
		115 ⇄ 119	Vitesse lente de pan/tilt
		120 ⇄ 124	Mode de vitesse ventilateur lente
		125 ⇄ 129	Mode de vitesse ventilateur plein régime
		130 ⇄ 134	Mode de vitesse ventilateur automatique
		135 ⇄ 139	Mode de vitesse de gradation rapide
		140 ⇄ 144	Mode de vitesse de gradation lente
		145 ⇄ 255	Réservé pour utilisation future

**Valeurs “Dual Control” (Pixels)**
**“Dual Control”: Mode “Advanced Pixels” (80-canal)**

Canal	Fonction	Valeur	Pourcentage/Paramétrage
1	Rouge 1	000 ⇔ 255	0–100%
2	Rouge fin 1	000 ⇔ 255	0–100%
3	Vert 1	000 ⇔ 255	0–100%
4	Vert fin 1	000 ⇔ 255	0–100%
5	Bleu 1	000 ⇔ 255	0–100%
6	Bleu fin 1	000 ⇔ 255	0–100%
7	Blanc 1	000 ⇔ 255	0–100%
8	Blanc fin 1	000 ⇔ 255	0–100%
9	Rouge 2	000 ⇔ 255	0–100%
10	Rouge fin 2	000 ⇔ 255	0–100%
11	Vert 2	000 ⇔ 255	0–100%
12	Vert fin 2	000 ⇔ 255	0–100%
13	Bleu 2	000 ⇔ 255	0–100%
14	Bleu fin 2	000 ⇔ 255	0–100%
15	Blanc 2	000 ⇔ 255	0–100%
16	Blanc fin 2	000 ⇔ 255	0–100%
17	Rouge 3	000 ⇔ 255	0–100%
18	Rouge fin 3	000 ⇔ 255	0–100%
19	Vert 3	000 ⇔ 255	0–100%
20	Vert fin 3	000 ⇔ 255	0–100%
21	Bleu 3	000 ⇔ 255	0–100%
22	Bleu fin 3	000 ⇔ 255	0–100%
23	Blanc 3	000 ⇔ 255	0–100%
24	Blanc fin 3	000 ⇔ 255	0–100%
25	Rouge 4	000 ⇔ 255	0–100%
26	Rouge fin 4	000 ⇔ 255	0–100%
27	Vert 4	000 ⇔ 255	0–100%
28	Vert fin 4	000 ⇔ 255	0–100%
29	Bleu 4	000 ⇔ 255	0–100%
30	Bleu fin 4	000 ⇔ 255	0–100%
31	Blanc 4	000 ⇔ 255	0–100%
32	Blanc fin 4	000 ⇔ 255	0–100%
33	Rouge 5	000 ⇔ 255	0–100%
34	Rouge fin 5	000 ⇔ 255	0–100%
35	Vert 5	000 ⇔ 255	0–100%
36	Vert fin 5	000 ⇔ 255	0–100%
37	Bleu 5	000 ⇔ 255	0–100%
38	Bleu fin 5	000 ⇔ 255	0–100%
39	Blanc 5	000 ⇔ 255	0–100%
40	Blanc fin 5	000 ⇔ 255	0–100%
41	Rouge 6	000 ⇔ 255	0–100%
42	Rouge fin 6	000 ⇔ 255	0–100%
43	Vert 6	000 ⇔ 255	0–100%
44	Vert fin 6	000 ⇔ 255	0–100%
45	Bleu 6	000 ⇔ 255	0–100%
46	Bleu fin 6	000 ⇔ 255	0–100%
47	Blanc 6	000 ⇔ 255	0–100%
48	Blanc fin 6	000 ⇔ 255	0–100%
49	Rouge 7	000 ⇔ 255	0–100%
50	Rouge fin 7	000 ⇔ 255	0–100%
51	Vert 7	000 ⇔ 255	0–100%
52	Vert fin 7	000 ⇔ 255	0–100%

Canal	Fonction	Valeur	Pourcentage/Paramétrage
53	Bleu 7	000 ⇄ 255	0–100%
54	Bleu fin 7	000 ⇄ 255	0–100%
55	Blanc 7	000 ⇄ 255	0–100%
56	Blanc fin 7	000 ⇄ 255	0–100%
57	Rouge 8	000 ⇄ 255	0–100%
58	Rouge fin 8	000 ⇄ 255	0–100%
59	Vert 8	000 ⇄ 255	0–100%
60	Vert fin 8	000 ⇄ 255	0–100%
61	Bleu 8	000 ⇄ 255	0–100%
62	Bleu fin 8	000 ⇄ 255	0–100%
63	Blanc 8	000 ⇄ 255	0–100%
64	Blanc fin 8	000 ⇄ 255	0–100%
65	Rouge 9	000 ⇄ 255	0–100%
66	Rouge fin 9	000 ⇄ 255	0–100%
67	Vert 9	000 ⇄ 255	0–100%
68	Vert fin 9	000 ⇄ 255	0–100%
69	Bleu 9	000 ⇄ 255	0–100%
70	Bleu fin 9	000 ⇄ 255	0–100%
71	Blanc 9	000 ⇄ 255	0–100%
72	Blanc fin 9	000 ⇄ 255	0–100%
73	Rouge 10	000 ⇄ 255	0–100%
74	Rouge fin 10	000 ⇄ 255	0–100%
75	Vert 10	000 ⇄ 255	0–100%
76	Vert fin 10	000 ⇄ 255	0–100%
77	Bleu 10	000 ⇄ 255	0–100%
78	Bleu fin 10	000 ⇄ 255	0–100%
79	Blanc 10	000 ⇄ 255	0–100%
80	Blanc fin 10	000 ⇄ 255	0–100%

**“Dual Control”: Mode “Standard Pixels” (40-canal)**

Canal	Fonction	Valeur	Pourcentage/Paramétrage
1	Rouge 1	000 ⇔ 255	0–100%
2	Vert 1	000 ⇔ 255	0–100%
3	Bleu 1	000 ⇔ 255	0–100%
4	Blanc 1	000 ⇔ 255	0–100%
5	Rouge 2	000 ⇔ 255	0–100%
6	Vert 2	000 ⇔ 255	0–100%
7	Bleu 2	000 ⇔ 255	0–100%
8	Blanc 2	000 ⇔ 255	0–100%
9	Rouge 3	000 ⇔ 255	0–100%
10	Vert3	000 ⇔ 255	0–100%
11	Bleu 3	000 ⇔ 255	0–100%
12	Blanc 3	000 ⇔ 255	0–100%
13	Rouge 4	000 ⇔ 255	0–100%
14	Vert 4	000 ⇔ 255	0–100%
15	Bleu 4	000 ⇔ 255	0–100%
16	Blanc 4	000 ⇔ 255	0–100%
17	Rouge 5	000 ⇔ 255	0–100%
18	Vert 5	000 ⇔ 255	0–100%
19	Bleu 5	000 ⇔ 255	0–100%
20	Blanc 5	000 ⇔ 255	0–100%
21	Rouge 6	000 ⇔ 255	0–100%
22	Vert 6	000 ⇔ 255	0–100%
23	Bleu 6	000 ⇔ 255	0–100%
24	Blanc 6	000 ⇔ 255	0–100%
25	Rouge 7	000 ⇔ 255	0–100%
26	Vert 7	000 ⇔ 255	0–100%
27	Bleu 7	000 ⇔ 255	0–100%
28	Blanc 7	000 ⇔ 255	0–100%
29	Rouge 8	000 ⇔ 255	0–100%
30	Vert 8	000 ⇔ 255	0–100%
31	Bleu 8	000 ⇔ 255	0–100%
32	Blanc 8	000 ⇔ 255	0–100%
33	Rouge 9	000 ⇔ 255	0–100%
34	Vert 9	000 ⇔ 255	0–100%
35	Bleu 9	000 ⇔ 255	0–100%
36	Blanc 9	000 ⇔ 255	0–100%
37	Rouge 10	000 ⇔ 255	0–100%
38	Vert10	000 ⇔ 255	0–100%
39	Bleu 10	000 ⇔ 255	0–100%
40	Blanc 10	000 ⇔ 255	0–100%

“Dual Control”: Mode “Basic Pixels” (30-canal)

Canal	Fonction	Valeur	Pourcentage/Paramétrage
1	Rouge 1	000 ⇄ 255	0–100%
2	Vert 1	000 ⇄ 255	0–100%
3	Bleu 1	000 ⇄ 255	0–100%
4	Rouge 2	000 ⇄ 255	0–100%
5	Vert 2	000 ⇄ 255	0–100%
6	Bleu 2	000 ⇄ 255	0–100%
7	Rouge 3	000 ⇄ 255	0–100%
8	Vert 3	000 ⇄ 255	0–100%
9	Bleu 3	000 ⇄ 255	0–100%
10	Rouge 4	000 ⇄ 255	0–100%
11	Vert 4	000 ⇄ 255	0–100%
12	Bleu 4	000 ⇄ 255	0–100%
13	Rouge 5	000 ⇄ 255	0–100%
14	Vert 5	000 ⇄ 255	0–100%
15	Bleu 5	000 ⇄ 255	0–100%
16	Rouge 6	000 ⇄ 255	0–100%
17	Vert 6	000 ⇄ 255	0–100%
18	Bleu 6	000 ⇄ 255	0–100%
19	Rouge 7	000 ⇄ 255	0–100%
20	Vert 7	000 ⇄ 255	0–100%
21	Bleu 7	000 ⇄ 255	0–100%
22	Rouge 8	000 ⇄ 255	0–100%
23	Vert 8	000 ⇄ 255	0–100%
24	Bleu 8	000 ⇄ 255	0–100%
25	Rouge 9	000 ⇄ 255	0–100%
26	Vert 9	000 ⇄ 255	0–100%
27	Bleu 9	000 ⇄ 255	0–100%
28	Rouge 10	000 ⇄ 255	0–100%
29	Vert 10	000 ⇄ 255	0–100%
30	Bleu 10	000 ⇄ 255	0–100%

## Over deze handleiding

De Maverick MK Pyxis Beknopte Handleiding (BH) bevat basisinformatie over het product, zoals aansluiting, montage, menu-opties en DMX-waarden. Download de gebruikershandleiding op [www.chauvetprofessional.com](http://www.chauvetprofessional.com) voor meer informatie.

### Disclaimer

De informatie en specificaties in deze BH kunnen zonder voorafgaande kennisgeving worden gewijzigd.

### Veiligheidsinstructies

Deze veiligheidsinstructies bevatten belangrijke informatie over de installatie, het gebruik en het onderhoud.

- Open het product NIET. Het bevat geen te onderhouden onderdelen.
- KIJK NIET in de lichtbron wanneer het apparaat is ingeschakeld.
- Om onnodige slijtage te elimineren en zijn levensduur te verlengen, gedurende perioden wanneer het product niet wordt gebruikt, moet u het product van de stroom afsluiten door een aardlekschakelaar om te zetten of door het te ontkoppelen.
- LET OP: Bij het verplaatsen van het product uit extreme omgevingen, (bijv. koude vrachtwagen naar warme, vochtige balzaal) kan er condensvorming optreden op de elektronica van het product. Om storingen te vermijden moet het product volledig kunnen acclimatiseren aan de omgeving voordat het op stroom wordt aangesloten.
- LET OP: De behuizing van dit product kan heet zijn wanneer het in bedrijf is.
- Monteer dit product op een plek met voldoende ventilatie, ten minste 50 cm van de aangrenzende oppervlakken.
- Plaats geen ontvlambaar materiaal binnen 50 cm van dit product als het in gebruik is of is aangesloten op het stopcontact.
- GEBRUIK een veiligheidskabel bij het boven het hoofd plaatsen van dit product.
- Gebruik dit product NIET buitenshuis of op een locatie waar stof, grote warmte, water of vochtigheid het kunnen beïnvloeden. (IP20)
- Gebruik dit product NIET als de behuizing, lenzen of kabels beschadigd lijken.
- Sluit dit product NIET aan op een dimmer of een regelweerstand.
- Sluit dit product UITSLUITEND op een geaard en beveiligd stroomcircuit.
- Gebruik UITSLUITEND de montagebeugels of de hendels om dit product te dragen. Draag het product niet aan de bewegende kop.
- Stop in het geval van ernstige operationele problemen onmiddellijk met het gebruik.
- De maximale omgevingstemperatuur bedraagt 45 °C. Gebruik dit product niet bij hogere temperaturen.

### Contact

Van buiten de VS, Verenigd Koninkrijk, Ierland, Mexico of België kunt u contact opnemen met de distributeur of om ondersteuning vragen dan wel het product retourneren. Ga naar [www.chauvetprofessional.com](http://www.chauvetprofessional.com) voor contactinformatie.

### Wat is inbegrepen

- Maverick MK Pyxis
- Seetronic Powerkon stroomsnoer
- 2 Omegabeugels met bevestigingsapparatuur
- Garantiekaart
- Beknopte handleiding

### AC-stroom

Dit product heeft een voeding met automatisch bereik die werkt met een ingangsspanning van 100–240 VAC, 50/60 Hz.

### AC-stekker

Aansluiting	Snoer (VS)	Snoer (Europa)	Schroefkleur
AC Live	Zwart	Bruin	Geel/messing
AC Neutraal	Wit	Blauw	Zilver
AC Aarde	Groen/geel	Groen/geel	Groen



**Om onnodige slijtage te elimineren en zijn levensduur te verlengen, gedurende perioden wanneer het product niet wordt gebruikt, moet u het product van de stroom afsluiten door een aardlekschakelaar om te zetten of door het te ontkoppelen.**

### Power Linking

U kunt tot 6 Maverick MK Pyxis-producten koppelen bij 120 V, 11 producten bij 208 V of 12 producten bij 230 V. Dit aantal niet overschrijden. Power Linking-snoeren kunnen apart aangeschaft worden.

### Vervangen van de zekering

1. Ontkoppel dit product van de stroom.
2. Gebruik een platkopschroevendraaier en schroef de kap van de zekeringhouder los van de behuizing.
3. Verwijder de doorgebrande zekering en vervang het met een werkende zekering van hetzelfde type en met dezelfde waarde.
4. Schroef de kap van de zekeringhouder terug en steek de stekker er weer in.

## Signaalverbindingen

U kunt de Maverick MK Pyxis aansluiten op een controller of controllersoftware met behulp van een DMX-aansluiting, een ethernetverbinding of beide. Bij het gebruik van andere Art-Net™, sACN, of Kling-Net-compatible producten met de Maverick MK Pyxis, kunt u deze individueel aansturen op een enkel netwerk. Zie de gebruikershandleiding voor meer informatie over het verbinden en configureren van het product voor deze signalen.

### Aansturingspersoonlijkheden

De Maverick MK Pyxis gebruikt DMX, Art-Net™, sACN en Kling-Net voor zijn aansturingspersoonlijkheden:

Single Control	Dual Control Movement	Dual Control Pixels
<b>Basic</b> (26-kanaal)	<b>Basic</b> (13-kanaal)	<b>Basic</b> (30-kanaal)
<b>Standard</b> (66-kanaal)	<b>Standard</b> (30-kanaal)	<b>Standard</b> (40-kanaal)
<b>Advanced</b> (113-kanaal)	<b>Advanced</b> (41-kanaal)	<b>Advanced</b> (80-kanaal)
<b>Tour</b> (131-kanaal)		
Gebruikt DMX, Art-Net™, sACN, of WDMX	Gebruikt DMX, Art-Net™, of sACN	Gebruikt DMX, Art-Net™, sACN, of Kling-Net



In "Dual Control"-modus kunnen het "Movement"-protocol en het "Pixels"-protocol niet hetzelfde zijn.

### DMX-aansluiting

De Maverick MK Pyxis kan met een DMX-controller werken met een 3-pins of 5-pins DMX-gegevensverbinding. Op [www.chauvetprofessional.com](http://www.chauvetprofessional.com) is een DMX-basishandleiding verkrijgbaar.

### Art-Net™-aansluiting

Art-Net™ is een ethernet-protocol dat gebruikmaakt van TCP/IP dat over een groot netwerk grote hoeveelheden DMX512-gegevens verzendt met behulp van een etherCON RJ45-verbinding. Een Art-Net™-protocoldocument is te verkrijgen op [www.chauvetprofessional.com](http://www.chauvetprofessional.com). Chauvet Professional raadt het gebruik van unicast-modus voor het beste resultaat.

Art-Net™ ontworpen en auteursrecht door Artistic Licence Holdings Ltd.

### sACN-aansluiting

Streaming-ACN staat ook wel bekend als ANSI E1.31 en is een ethernetprotocol dat de laag- en opmaakstructuur gebruikt van Architecture for Control Networks om DMX512-gegevens te transporteren over IP of een ander ACN compatibel netwerk. ACN wordt onderhouden door de Professional Lighting and Sound Association (PLASA).

### Kling-Net-aansluiting

Kling-Net is een netwerkprotocol dat de automatische configuratie van displayapparaten met een etherCON RJ45 Ethernet-verbinding mogelijk maakt. Raadpleeg de ArKaos softwarehandleiding voor uitgebreide instructies over het programmeren van dit product.



Voor een goede werking heeft de ArKaos Kling-Net een gigabit (1000 Mbps) Ethernet-kaart en een netwerkrouter nodig.



ArKaos Kling-Net loopt alleen in "Standard Pixels" of "Basic Pixels"-modi.

### RDM (apparaatbeheer op afstand)

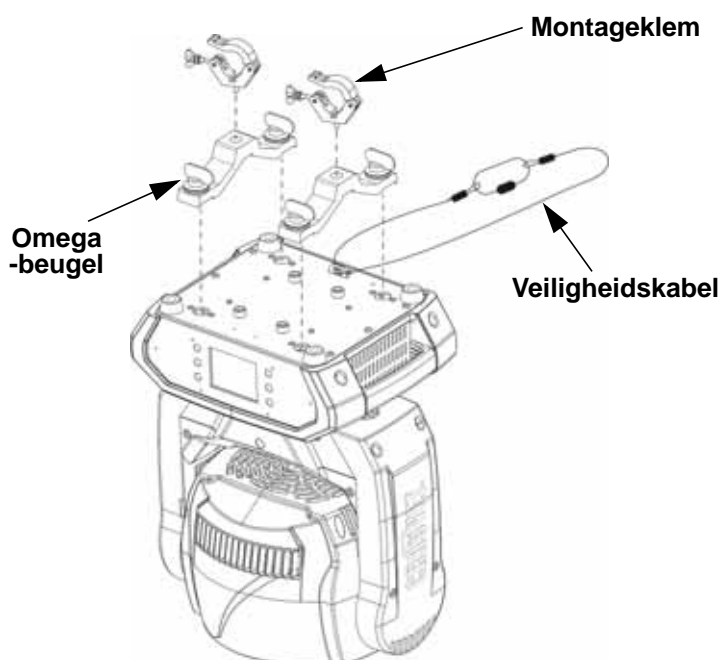
Remote Device Management of RDM (apparaatbeheer op afstand) is een standaard die het voor DMX-apparaten mogelijk maakt om in twee richtingen te communiceren over bestaande DMX-kabels. De Maverick MK Pyxis ondersteunt het RDM-protocol dat zorgt feedback toelaat bij de bewaking van Temperatuur en wijzigingen aan de menu opties. Download de gebruikershandleiding op [www.chauvetprofessional.com](http://www.chauvetprofessional.com) voor meer informatie.



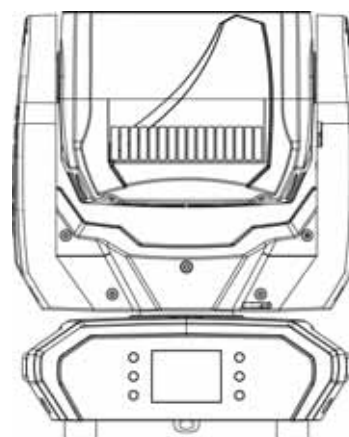
## Montage

Lees alvorens dit product te monteren alle [Veiligheidsinstructies](#). Gebruik ten minste twee montagepunten per product. Controleer of de montageklem het gewicht van het product kan dragen. Ga voor onze Chauvet-serie montageklemmen naar <http://trusst.com/products>.

### Montagediagram



Montage-boven het hoofd



Plaatsing op de vloer

## Aanraakschermbedieningspaneel

De Maverick MK Pyxis heeft een aanraakscherm en 6 bedieningsknoppen. Via de opties **Setup** in het menu kan het aanraakscherm worden vergrendeld en gekalibreerd.

### Beschrijving bedieningspaneel

Toets	Functie
< ↑ >	Navigeert omhoog via het menu of verhoogt de numerieke waarde wanneer in een functie
< ≡ >	Sluit het huidige menu of functie af
< ↓ >	Navigeert omlaag via het menu of verlaagt de numerieke waarde wanneer in een functie
< ← >	Navigeert naar links door de menulijst
< ↶ >	Activeert het huidige getoonde menu of plaatst de huidige geselecteerde waarde in de geselecteerde functie
< → >	Navigeert naar rechts door de menulijst

Menumap

Programmeerniveaus				Beschrijving		
<b>Control Settings</b>				<b>Control Settings belangrijkste niveau</b>		
<b>Single Control</b>	<b>DMX</b>	<b>Personality</b>	Basic	Stelt de DMX persoonlijkheid in (Zie <a href="#">Aansturingspersoonlijkheden</a> )		
			Standard			
			Advanced			
			Tour			
		<b>Start Address</b>	0-512		Stelt het DMX startadres in	
			<b>ArtNet</b>	<b>Personality</b>	Basic	Stelt de Art-Net™ persoonlijkheid in (Zie <a href="#">Aansturingspersoonlijkheden</a> )
					Standard	
					Advanced	
		<b>Start Address</b>	0-512		Stelt het Art-Net™ startadres in	
			<b>Universe</b>	0-255		Stelt de Art-Net™ universe in
				<b>sACN</b>	<b>Personality</b>	Basic
	Standard					
	Advanced					
		<b>Start Address</b>	0-512		Stelt het sACN startadres in	
			<b>Universe</b>	0-255		Stelt de sACN universe in
				<b>WDMX</b>	<b>Personality</b>	Basic
	Standard					
	Advanced					
		<b>Start Address</b>	0-512		Stelt het WDMX startadres in	
			<b>DMX</b>	<b>Personality</b>	Basic	Stelt de DMX persoonlijkheid in (Zie <a href="#">Aansturingspersoonlijkheden</a> )
Standard						
Advanced						
Tour						
	<b>Start Address</b>	0-512		Stelt het DMX startadres in		
		<b>ArtNet</b>	<b>Personality</b>	Basic	Stelt de Art-Net™ persoonlijkheid in (Zie <a href="#">Aansturingspersoonlijkheden</a> )	
				Standard		
				Advanced		
	<b>Start Address</b>	0-512		Stelt het Art-Net™ startadres in		
		<b>Universe</b>	0-255		Stelt de Art-Net™ universe in	
			<b>sACN</b>	<b>Personality</b>	Basic	Stelt de sACN persoonlijkheid in (Zie <a href="#">Aansturingspersoonlijkheden</a> )
Standard						
Advanced						
	<b>Start Address</b>	0-512		Stelt het sACN startadres in		
		<b>Universe</b>	0-255		Stelt de sACN universe in	
			<b>DMX</b>	<b>Personality</b>	Basic	Stelt de DMX persoonlijkheid in (Zie <a href="#">Aansturingspersoonlijkheden</a> )
Standard						
Advanced						
	<b>Start Address</b>	0-512		Stelt het DMX startadres in		
		<b>ArtNet</b>	<b>Personality</b>	Basic	Stelt de Art-Net™ persoonlijkheid in (Zie <a href="#">Aansturingspersoonlijkheden</a> )	
				Standard		
Advanced						
	<b>Start Address</b>	0-512		Stelt het Art-Net™ startadres in		
		<b>Universe</b>	0-255		Stelt de Art-Net™ universe in	
			<b>sACN</b>	<b>Personality</b>	Basic	Stelt de sACN persoonlijkheid in (Zie <a href="#">Aansturingspersoonlijkheden</a> )
Standard						
Advanced						
	<b>Start Address</b>	0-512		Stelt het sACN startadres in		
		<b>Universe</b>	0-255		Stelt de sACN universe in	
			<b>KlingNet</b>	<b>Personality</b>	Basic	Stelt de Kling-Net persoonlijkheid in (Zie <a href="#">Aansturingspersoonlijkheden</a> )
Standard						

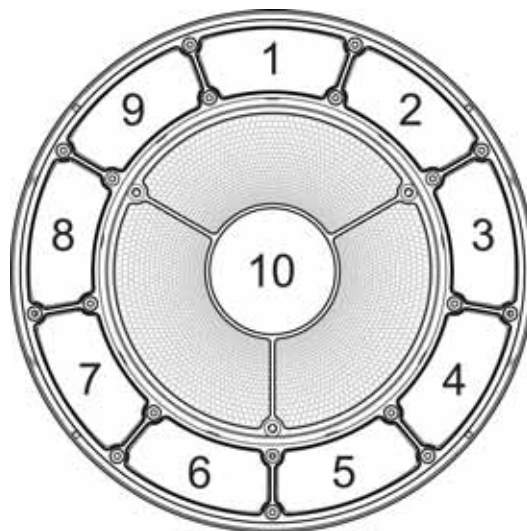
Programmeerniveaus			Beschrijving	
<b>Test Mode</b>			<b>Test Mode belangrijkste niveau</b>	
<b>Test Mode</b>	<b>Auto Test</b>		Test alle functies automatisch	
	<b>Manual Test</b>	<b>Pan</b>	<b>000–255</b>	Test en regel alle instellingen handmatig via het bedieningspaneel
		<b>Tilt</b>		
		<b>P/T Speed</b>		
		<b>Red</b>		
		<b>Green</b>		
		<b>Blue</b>		
		<b>White</b>		
		<b>CTC</b>		
		<b>Color</b>		
		<b>Pattern</b>		
		<b>LED Macro</b>		
		<b>LED Ma. Speed</b>		
		<b>LED Ma. Fade</b>		
		<b>Background</b>		
		<b>Background Dim.</b>		
		<b>Dimmer</b>		
<b>Shutter</b>				
<b>Function</b>				
<b>Zoom</b>				
<b>Setup</b>			<b>Setup belangrijkste niveau</b>	
<b>Network Settings</b>	<b>Ethernet To DMX</b>	<b>NO</b>	Zet ethernet niet om in DMX	
		<b>YES</b>	Zet ethernet om in DMX-uitvoer	
	<b>IP Mode</b>	<b>Manual</b>	Stel het IP-adres handmatig in	
		<b>DHCP</b>	Netwerk stelt het IP-adres in	
		<b>Static</b>	Product stelt het IP-adres in	
<b>IP</b>	-----	Stelt het IP-adres in handmatige modus in		
<b>SubMask</b>	-----	Stelt het Subnet Mask in handmatige modus in		
<b>Pan Reverse</b>	<b>NO</b>	Normale zwenkbediening		
	<b>YES</b>	Omgekeerde zwenkbediening		
<b>Tilt Reverse</b>	<b>NO</b>	Normale kantelbediening		
	<b>YES</b>	Omgekeerde kantelbediening		
<b>Zoom Reverse</b>	<b>NO</b>	Normale zoom		
	<b>YES</b>	Omgekeerde zoom		
<b>Screen Reverse</b>	<b>NO</b>	Display in normale oriëntatie		
	<b>YES</b>	Display in ondersteboven oriëntatie		
	<b>AUTO</b>	Automatische oriëntatie van het display		
<b>Pan Angle</b>	<b>540</b>	540° zwenkhoekbereik		
	<b>360</b>	360° zwenkhoekbereik		
	<b>180</b>	180° zwenkhoekbereik		
<b>Tilt Angle</b>	<b>270</b>	540° kantelhoekbereik		
	<b>180</b>	270° kantelhoekbereik		
	<b>90</b>	180° kantelhoekbereik		
<b>BL. O. P/T Move</b>	<b>NO</b>	Niet verduisteren tijdens kantelen/zwenken		
	<b>YES</b>	Verduisteren tijdens kantelen/zwenken		
<b>Calibration</b>	<b>NO</b>	Huidige instellingen behouden		
	<b>YES</b>	Aanraakscherm kalibreren		
<b>Touchscreen Lock</b>	<b>NO</b>	Beeldscherm reageert op aanrakingen		
	<b>YES</b>	Beeldscherm reageert niet op aanrakingen		
<b>Lock Screen</b>	<b>NO</b>	Lock knoppen en touch screen		
	<b>YES</b>	Toegangscade: 0920		
<b>Swap XY</b>	<b>NO</b>	Niet kantelen en zwenken verwisselen		
	<b>YES</b>	Zwenken regelt kantelen, en omgekeerd		

Programmeerniveaus		Beschrijving	
<b>Setup</b> (vervolg)		<b>Setup belangrijkste niveau</b> (vervolg)	
<b>WDMX Reset</b>	<b>NO</b>	Niet WDMX resetten	
	<b>YES</b>	WDMX resetten	
<b>Backlight Timer</b>	<b>30S</b>	Beeldscherm schakelt uit na 30 seconden	
	<b>1M</b>	Beeldscherm schakelt uit na 1 minuut	
	<b>5M</b>	Beeldscherm schakelt uit na 5 minuten	
	<b>ON</b>	Beeldscherm blijft aan	
<b>Loss of Data</b>	<b>Hold</b>	Houdt laatst ontvangen signaal vast	
	<b>Close</b>	Verduistert de armatuur	
<b>Fans</b>	<b>Auto</b>	Ventilatorsnelheid in overeenstemming met de producttemperatuur	
	<b>Full</b>	Ventilatorsnelheid op hoog ingesteld	
	<b>ECO</b>	Stille modus	
<b>C Mixing Mode</b>	<b>RGBW</b>	Additief kleuren mengen (0–100%)	
	<b>CMY</b>	Subtractief kleuren mengen (100%–0)	
<b>Dimmer Curve</b>	<b>Linear</b>	Stelt de dimcurve in	
	<b>Square</b>		
	<b>I Squa</b>		
	<b>SCurve</b>		
<b>Dimmer Speed</b>	<b>Smooth</b>	Wijzigt de dimsnelheid	
	<b>Fast</b>		
<b>PWM Option</b>	<b>600Hz</b>	Selecteert de PWM-uitgangsfrequentie	
	<b>1200Hz</b>		
	<b>2000Hz</b>		
	<b>4000Hz</b>		
	<b>6000Hz</b>		
	<b>15000Hz</b>		
<b>Color Balance</b>	<b>Red</b>	<b>100–255</b>	
	<b>Green</b>		
	<b>Blue</b>		
	<b>White</b>		
<b>Preset Select</b>	<b>PRESET A</b>	Opgenoemen vooringestelde menuopties	
	<b>PRESET B</b>		
	<b>PRESET C</b>		
<b>Preset Sync</b>	<b>NO</b>	Zorgt ervoor dat opgenomen vooringestelde menuopties worden overgezet op andere Maverick MK1-spots in de DMX-keten	
	<b>YES</b>		
<b>Reset Function</b>	<b>Pan/Tilt</b>	<b>NO</b>	Reset individuele functies of alle functies vanaf het opstarten
		<b>YES</b>	
	<b>Zoom</b>	<b>NO</b>	
		<b>YES</b>	
<b>All</b>	<b>NO</b>		
	<b>YES</b>		
<b>Factory Settings</b>	<b>NO</b>	Reset naar standaard fabrieksinstellingen	
	<b>YES</b>		

Programmeerniveaus			Beschrijving	
<b>Sys Info</b>			<b>Sys Info belangrijkste niveau</b>	
<b>Sys Info</b>	<b>Ver</b>	<b>V_</b>	Toont de firmwareversie	
	<b>Running Mode</b>	---	Toont de huidige bedrijfsmodus	
	<b>Address</b>	---	Toont het huidige startadres	
	<b>Temperature</b>	---	Toont de huidige temperatuur van het product in °C	
	<b>Fixture Hours</b>	-----	Toont het aantal uren dat het product is ingeschakeld	
	<b>Ip</b>	---.---.---.---	Toont het huidige IP-adres	
	<b>SubMask</b>	---.---.---.---	Toont het huidige Subnet Mask	
	<b>MAC</b>	---.---.---.---	Toont het huidige MAC-adres	
	<b>Fan Information</b>	<b>Head Fan1 Speed</b>	----	Toont snelheid van kopventilators in toeren per minuut
		<b>Head Fan2 Speed</b>	----	
<b>Error Information</b>	<b>No Error!*</b>		Toont fouten of No Error!	

Programmeerniveaus		Beschrijving
Sys Info (vervolg)		Sys Info belangrijkste niveau (vervolg)
Sys Info (vervolg)  Channel Information	Frequency	---  Toont alle huidige waarden van ingangssignalen, 000-255
	Pan	
	Pan Fine	
	Tilt	
	Tilt Fine	
	Pan Rotation	
	Tilt Rotation	
	P/T Speed	
	CTC	
	Color (1-2)	
	Pattern	
	LED Macro	
	LED Ma. Speed	
	LED Ma. Fine	
	Background	
	Background Dim.	
	Bg. Dim. Fine	
	Dimmer (A-B)	
	Dimmer Fine (A-B)	
	Shutter (1-2)	
	Zoom	
	Function	
	Red (alle, 1-10)	
	Red Fine (alle, 1-10)	
	Green (alle, 1-10)	
	Green fine (alle, 1-10)	
	Blue (alle, 1-10)	
	Blue Fine (alle, 1-10)	
	White (alle, 1-10)	
	White Fine (alle, 1-10)	
Dimmer (1-10)		
Dimmer Fine (1-10)		

Zones voor pixelregeling



**“Single Control”-waarden**
**“Single Control”: “Tour”-modus (131-kanaal)**

Kanaal	Functie	Waarde	Percentage/Instelling
1	Zwenken	000 ⇔ 255	0–100%
2	Fijnezwenken	000 ⇔ 255	0–100%
3	Kantelen	000 ⇔ 255	0–100%
4	Fijnekantelen	000 ⇔ 255	0–100%
5	Continue zwenken	000	Geen functie
		001 ⇔ 127	Continue zwenken, snel tot langzaam
		128	Geen functie
		129 ⇔ 255	Omgekeerde continue zwenken, langzaam tot snel
6	Continue kantelen	000	Geen functie
		001 ⇔ 127	Continue kantelen, snel tot langzaam
		128	Geen functie
		129 ⇔ 255	Omgekeerde continue kantelen, langzaam tot snel
7	Zwenken/Kantelensnelheid	000 ⇔ 255	Snel tot langzaam
8	CTC	000	Geen functie
		001 ⇔ 255	Kleurtemperatuur, 2800–10000 K
9	Ring kleur	000	Geen functie
		001 ⇔ 002	2700K R = 156 G = 118 B = 0 W = 63
		003 ⇔ 004	3200K R = 156 G = 141 B = 5 W = 89
		005 ⇔ 006	4200K R = 156 G = 141 B = 14 W = 255
		007 ⇔ 008	5600K R = 156 G = 207 B = 54 W = 255
		009 ⇔ 010	8000K R = 130 G = 255 B = 96 W = 255
		011	Blauw R = 0 G = 0 B = 255 W = 0
		012 ⇔ 048	+ groen R = 0 G = 0–255 B = 255 W = 0
		049	Cyaan R = 0 G = 255 B = 255 W = 0
		050 ⇔ 086	- blauw R = 0 G = 255 B = 255–0 W = 0
		087	Groen R = 0 G = 255 B = 0 W = 0
		088 ⇔ 124	+ rood R = 0–255 G = 255 B = 0 W = 0
		125	Geel R = 255 G = 255 B = 0 W = 0
		126 ⇔ 162	- groen R = 255 G = 255–0 B = 0 W = 0
		163	Rood R = 255 G = 0 B = 0 W = 0
		164 ⇔ 200	+ blauw R = 255 G = 0 B = 0–255 W = 0
		201	Magenta R = 255 G = 0 B = 255 W = 0
		202 ⇔ 238	- rood R = 255–0 G = 0 B = 255 W = 0
		239	Blauw R = 0 G = 0 B = 255 W = 0
		240 ⇔ 247	Kleurverandering, snel tot langzaam
248 ⇔ 255	Kleursprong, snel tot langzaam		

Kanaal	Functie	Waarde	Percentage/Instelling				
10	Straalingskleur	000	Geen functie				
		001 ⇄ 002	2700K	R = 156	G = 118	B = 0	W = 63
		003 ⇄ 004	3200K	R = 156	G = 141	B = 5	W = 89
		005 ⇄ 006	4200K	R = 156	G = 141	B = 14	W = 255
		007 ⇄ 008	5600K	R = 156	G = 207	B = 54	W = 255
		009 ⇄ 010	8000K	R = 130	G = 255	B = 96	W = 255
		011	Blauw	R = 0	G = 0	B = 255	W = 0
		012 ⇄ 048	+ groen	R = 0	G = 0–255	B = 255	W = 0
		049	Cyaan	R = 0	G = 255	B = 255	W = 0
		050 ⇄ 086	- blauw	R = 0	G = 255	B = 255–0	W = 0
		087	Groen	R = 0	G = 255	B = 0	W = 0
		088 ⇄ 124	+ rood	R = 0–255	G = 255	B = 0	W = 0
		125	Geel	R = 255	G = 255	B = 0	W = 0
		126 ⇄ 162	- groen	R = 255	G = 255–0	B = 0	W = 0
		163	Rood	R = 255	G = 0	B = 0	W = 0
		164 ⇄ 200	+ blauw	R = 255	G = 0	B = 0–255	W = 0
		201	Magenta	R = 255	G = 0	B = 255	W = 0
		202 ⇄ 238	- rood	R = 255–0	G = 0	B = 255	W = 0
		239	Blauw	R = 0	G = 0	B = 255	W = 0
		240 ⇄ 247	Kleurverandering, snel tot langzaam				
248 ⇄ 255	Kleursprong, snel tot langzaam						
11	Gobo	000	Geen functie				
		001 ⇄ 255	Gobos (geïndexeerd)				
12	LED Macro / Automatisch programma	000 ⇄ 015	Geen functie				
		016 ⇄ 135	LED macro's				
		136 ⇄ 255	Automatische programma's				
13	LED Macro / Automatisch programmasnelheid	000 ⇄ 127	Snel tot langzaam				
		128	Bevriezen				
		129 ⇄ 255	Langzaam tot snel				
14	LED ingebouwde vertraging	000 ⇄ 255	Snel tot langzaam				
15	Achtergrondkleur	000	Geen functie				
		001 ⇄ 002	2700K	R = 156	G = 118	B = 0	W = 63
		003 ⇄ 004	3200K	R = 156	G = 141	B = 5	W = 89
		005 ⇄ 006	4200K	R = 156	G = 141	B = 14	W = 255
		007 ⇄ 008	5600K	R = 156	G = 207	B = 54	W = 255
		009 ⇄ 010	8000K	R = 130	G = 255	B = 96	W = 255
		011	Blauw	R = 0	G = 0	B = 255	W = 0
		012 ⇄ 048	+ groen	R = 0	G = 0–255	B = 255	W = 0
		049	Cyaan	R = 0	G = 255	B = 255	W = 0
		050 ⇄ 086	- blauw	R = 0	G = 255	B = 255–0	W = 0
		087	Groen	R = 0	G = 255	B = 0	W = 0
		088 ⇄ 124	+ rood	R = 0–255	G = 255	B = 0	W = 0
		125	Geel	R = 255	G = 255	B = 0	W = 0
		126 ⇄ 162	- groen	R = 255	G = 255–0	B = 0	W = 0
		163	Rood	R = 255	G = 0	B = 0	W = 0
		164 ⇄ 200	+ blauw	R = 255	G = 0	B = 0–255	W = 0
		201	Magenta	R = 255	G = 0	B = 255	W = 0
		202 ⇄ 238	- rood	R = 255–0	G = 0	B = 255	W = 0
		239	Blauw	R = 0	G = 0	B = 255	W = 0
		240 ⇄ 247	Kleurverandering, snel tot langzaam				
248 ⇄ 255	Kleursprong, snel tot langzaam						
16	Achtergronddimmer	000 ⇄ 255	0–100%				
17	Fijneachtergronddimmer	000 ⇄ 255	0–100%				
18	Hoofddimmer	000 ⇄ 255	0–100%				
19	Fijnehoofddimmer	000 ⇄ 255	0–100%				



Kanaal	Functie	Waarde	Percentage/Instelling
20	Ringsluiter	000 ⇔ 019	Uit
		020 ⇔ 024	Aan
		025 ⇔ 069	Stroboscoop, snel tot langzaam
		070 ⇔ 089	Stroboscoop 100–0%, snel tot langzaam
		090 ⇔ 109	Stroboscoop 0–100%, snel tot langzaam
		110 ⇔ 129	Willekeurigestroboscoop, snel tot langzaam
		130 ⇔ 149	Willekeurigestroboscoop 100–0%, snel tot langzaam
		150 ⇔ 169	Willekeurigestroboscoop 0–100%, snel tot langzaam
		170 ⇔ 189	Pulsstroboscoop, snel tot langzaam
		190 ⇔ 209	Willekeurigepulsstroboscoop, snel tot langzaam
		210 ⇔ 229	Stroboscoop 0–100–0%, snel tot langzaam
		230 ⇔ 244	Willekeurigepulsstroboscoop, snel tot langzaam
		245 ⇔ 255	Aan
21	Straalingsluiter	000 ⇔ 019	Uit
		020 ⇔ 024	Aan
		025 ⇔ 069	Stroboscoop, snel tot langzaam
		070 ⇔ 089	Stroboscoop 100–0%, snel tot langzaam
		090 ⇔ 109	Stroboscoop 0–100%, snel tot langzaam
		110 ⇔ 129	Willekeurigestroboscoop, snel tot langzaam
		130 ⇔ 149	Willekeurigestroboscoop 100–0%, snel tot langzaam
		150 ⇔ 169	Willekeurigestroboscoop 0–100%, snel tot langzaam
		170 ⇔ 189	Pulsstroboscoop, snel tot langzaam
		190 ⇔ 209	Willekeurigepulsstroboscoop, snel tot langzaam
210 ⇔ 229	Stroboscoop 0–100–0%, snel tot langzaam		
230 ⇔ 244	Willekeurigepulsstroboscoop, snel tot langzaam		
245 ⇔ 255	Aan		
22	Zoom	000 ⇔ 255	Breed tot nauw
23	Regeling	000 ⇔ 009	Geen functie
		010 ⇔ 014	Zwenk-/kantelverduistering
		015 ⇔ 019	Gereserveerd voor toekomstig gebruik
		020 ⇔ 024	RGBW-kleurenmengmodus (additief)
		025 ⇔ 029	CMY-kleurenmengmodus (subtractief)
		030 ⇔ 049	Gereserveerd voor toekomstig gebruik
		050 ⇔ 054	Zwenk-reset
		055 ⇔ 059	Kantel-reset
		060 ⇔ 064	Zoom-reset
		065 ⇔ 069	Gereserveerd voor toekomstig gebruik
		070 ⇔ 074	Alles-reset
		075 ⇔ 109	Gereserveerd voor toekomstig gebruik
		110 ⇔ 114	Zwenk-/kantelsnelheid snel
		115 ⇔ 119	Zwenk-/kantelsnelheid langzaam
		120 ⇔ 124	Ventilatormodus langzaam
		125 ⇔ 129	Ventilatormodus volledig
130 ⇔ 134	Ventilatormodus auto		
135 ⇔ 139	Dimmodus snel		
140 ⇔ 144	Dimmodus langzaam		
145 ⇔ 255	Gereserveerd voor toekomstig gebruik		
24	Hoofdrood	000 ⇔ 255	0–100%
25	Fijnehoofdrood	000 ⇔ 255	0–100%
26	Hoofdgroen	000 ⇔ 255	0–100%
27	Fijnehoofdgroen	000 ⇔ 255	0–100%
28	Hoofdblauw	000 ⇔ 255	0–100%
29	Fijnehoofdblauw	000 ⇔ 255	0–100%
30	Hoofdwit	000 ⇔ 255	0–100%
31	Fijnehoofdwit	000 ⇔ 255	0–100%

Kanaal	Functie	Waarde	Percentage/Instelling
32	Dimmer 1	000 ⇄ 255	0–100%
33	Fijnedimmer 1	000 ⇄ 255	0–100%
34	Rood 1	000 ⇄ 255	0–100%
35	Fijnerood 1	000 ⇄ 255	0–100%
36	Groen 1	000 ⇄ 255	0–100%
37	Fijnegroen 1	000 ⇄ 255	0–100%
38	Blauw 1	000 ⇄ 255	0–100%
39	Fijneblauw 1	000 ⇄ 255	0–100%
40	Wit 1	000 ⇄ 255	0–100%
41	Fijnwit 1	000 ⇄ 255	0–100%
42	Dimmer 2	000 ⇄ 255	0–100%
43	Fijnedimmer 2	000 ⇄ 255	0–100%
44	Rood 2	000 ⇄ 255	0–100%
45	Fijnerood 2	000 ⇄ 255	0–100%
46	Groen 2	000 ⇄ 255	0–100%
47	Fijnegroen 2	000 ⇄ 255	0–100%
48	Blauw 2	000 ⇄ 255	0–100%
49	Fijneblauw 2	000 ⇄ 255	0–100%
50	Wit 2	000 ⇄ 255	0–100%
51	Fijnwit 2	000 ⇄ 255	0–100%
52	Dimmer 3	000 ⇄ 255	0–100%
53	Fijnedimmer 3	000 ⇄ 255	0–100%
54	Rood 3	000 ⇄ 255	0–100%
55	Fijnerood 3	000 ⇄ 255	0–100%
56	Groen 3	000 ⇄ 255	0–100%
57	Fijnegroen 3	000 ⇄ 255	0–100%
58	Blauw 3	000 ⇄ 255	0–100%
59	Fijneblauw 3	000 ⇄ 255	0–100%
60	Wit 3	000 ⇄ 255	0–100%
61	Fijnwit 3	000 ⇄ 255	0–100%
62	Dimmer 4	000 ⇄ 255	0–100%
63	Fijnedimmer 4	000 ⇄ 255	0–100%
64	Rood 4	000 ⇄ 255	0–100%
65	Fijnerood 4	000 ⇄ 255	0–100%
66	Groen 4	000 ⇄ 255	0–100%
67	Fijnegroen 4	000 ⇄ 255	0–100%
68	Blauw 4	000 ⇄ 255	0–100%
69	Fijneblauw 4	000 ⇄ 255	0–100%
70	Wit 4	000 ⇄ 255	0–100%
71	Fijnwit 4	000 ⇄ 255	0–100%
72	Dimmer 5	000 ⇄ 255	0–100%
73	Fijnedimmer 5	000 ⇄ 255	0–100%
74	Rood 5	000 ⇄ 255	0–100%
75	Fijnerood 5	000 ⇄ 255	0–100%
76	Groen 5	000 ⇄ 255	0–100%
77	Fijnegroen 5	000 ⇄ 255	0–100%
78	Blauw 5	000 ⇄ 255	0–100%
79	Fijneblauw 5	000 ⇄ 255	0–100%
80	Wit 5	000 ⇄ 255	0–100%
81	Fijnwit 5	000 ⇄ 255	0–100%
82	Dimmer 6	000 ⇄ 255	0–100%
83	Fijnedimmer 6	000 ⇄ 255	0–100%
84	Rood 6	000 ⇄ 255	0–100%
85	Fijnerood 6	000 ⇄ 255	0–100%

Kanaal	Functie	Waarde	Percentage/Instelling
86	Groen 6	000 ⇔ 255	0-100%
87	Fijnegroen 6	000 ⇔ 255	0-100%
88	Blauw 6	000 ⇔ 255	0-100%
89	Fijneblauw 6	000 ⇔ 255	0-100%
90	Wit 6	000 ⇔ 255	0-100%
91	Fijnewit 6	000 ⇔ 255	0-100%
92	Dimmer 7	000 ⇔ 255	0-100%
93	Fijnedimmer 7	000 ⇔ 255	0-100%
94	Rood 7	000 ⇔ 255	0-100%
95	Fijnerood 7	000 ⇔ 255	0-100%
96	Groen 7	000 ⇔ 255	0-100%
97	Fijnegroen 7	000 ⇔ 255	0-100%
98	Blauw 7	000 ⇔ 255	0-100%
99	Fijneblauw 7	000 ⇔ 255	0-100%
100	Wit 7	000 ⇔ 255	0-100%
101	Fijnewit 7	000 ⇔ 255	0-100%
102	Dimmer 8	000 ⇔ 255	0-100%
103	Fijnedimmer 8	000 ⇔ 255	0-100%
104	Rood 8	000 ⇔ 255	0-100%
105	Fijnerood 8	000 ⇔ 255	0-100%
106	Groen 8	000 ⇔ 255	0-100%
107	Fijnegroen 8	000 ⇔ 255	0-100%
108	Blauw 8	000 ⇔ 255	0-100%
109	Fijneblauw 8	000 ⇔ 255	0-100%
110	Wit 8	000 ⇔ 255	0-100%
111	Fijnewit 8	000 ⇔ 255	0-100%
112	Dimmer 9	000 ⇔ 255	0-100%
113	Fijnedimmer 9	000 ⇔ 255	0-100%
114	Rood 9	000 ⇔ 255	0-100%
115	Fijnerood 9	000 ⇔ 255	0-100%
116	Groen 9	000 ⇔ 255	0-100%
117	Fijnegroen 9	000 ⇔ 255	0-100%
118	Blauw 9	000 ⇔ 255	0-100%
119	Fijneblauw 9	000 ⇔ 255	0-100%
120	Wit 9	000 ⇔ 255	0-100%
121	Fijnewit 9	000 ⇔ 255	0-100%
122	Dimmer 10	000 ⇔ 255	0-100%
123	Fijnedimmer 10	000 ⇔ 255	0-100%
124	Rood 10	000 ⇔ 255	0-100%
125	Fijnerood 10	000 ⇔ 255	0-100%
126	Groen 10	000 ⇔ 255	0-100%
127	Fijnegroen 10	000 ⇔ 255	0-100%
128	Blauw 10	000 ⇔ 255	0-100%
129	Fijneblauw 10	000 ⇔ 255	0-100%
130	Wit 10	000 ⇔ 255	0-100%
131	Fijnewit 10	000 ⇔ 255	0-100%

## “Single Control”: “Advanced”-modus (113-kanaal)

Kanaal	Functie	Waarde	Percentage/Instelling
1	Zwenken	000 ⇔ 255	0–100%
2	Fijnezwenken	000 ⇔ 255	0–100%
3	Kantelen	000 ⇔ 255	0–100%
4	Fijnekantelen	000 ⇔ 255	0–100%
5	Continue zwenken	000	Geen functie
		001 ⇔ 127	Continue zwenken, snel tot langzaam
		128	Geen functie
		129 ⇔ 255	Omgekeerde continue zwenken, langzaam tot snel
6	Continue kantelen	000	Geen functie
		001 ⇔ 127	Continue kantelen, snel tot langzaam
		128	Geen functie
		129 ⇔ 255	Omgekeerde continue kantelen, langzaam tot snel
7	Zwenken/Kantelensnelheid	000 ⇔ 255	Snel tot langzaam
8	CTC	000	Geen functie
		001 ⇔ 255	Kleurtemperatuur, 2800–10000 K
9	Ring kleur	000	Geen functie
		001 ⇔ 002	2700K R = 156 G = 118 B = 0 W = 63
		003 ⇔ 004	3200K R = 156 G = 141 B = 5 W = 89
		005 ⇔ 006	4200K R = 156 G = 141 B = 14 W = 255
		007 ⇔ 008	5600K R = 156 G = 207 B = 54 W = 255
		009 ⇔ 010	8000K R = 130 G = 255 B = 96 W = 255
		011	Blauw R = 0 G = 0 B = 255 W = 0
		012 ⇔ 048	+ groen R = 0 G = 0–255 B = 255 W = 0
		049	Cyaan R = 0 G = 255 B = 255 W = 0
		050 ⇔ 086	- blauw R = 0 G = 255 B = 255–0 W = 0
		087	Groen R = 0 G = 255 B = 0 W = 0
		088 ⇔ 124	+ rood R = 0–255 G = 255 B = 0 W = 0
		125	Geel R = 255 G = 255 B = 0 W = 0
		126 ⇔ 162	- groen R = 255 G = 255–0 B = 0 W = 0
		163	Rood R = 255 G = 0 B = 0 W = 0
		164 ⇔ 200	+ blauw R = 255 G = 0 B = 0–255 W = 0
		201	Magenta R = 255 G = 0 B = 255 W = 0
		202 ⇔ 238	- rood R = 255–0 G = 0 B = 255 W = 0
		239	Blauw R = 0 G = 0 B = 255 W = 0
		240 ⇔ 247	Kleurverandering, snel tot langzaam
248 ⇔ 255	Kleursprong, snel tot langzaam		

Kanaal	Functie	Waarde	Percentage/Instelling				
<b>10</b>	<b>Straalingskleur</b>	000	Geen functie				
		001 ⇔ 002	2700K	R = 156	G = 118	B = 0	W = 63
		003 ⇔ 004	3200K	R = 156	G = 141	B = 5	W = 89
		005 ⇔ 006	4200K	R = 156	G = 141	B = 14	W = 255
		007 ⇔ 008	5600K	R = 156	G = 207	B = 54	W = 255
		009 ⇔ 010	8000K	R = 130	G = 255	B = 96	W = 255
		011	Blauw	R = 0	G = 0	B = 255	W = 0
		012 ⇔ 048	+ groen	R = 0	G = 0-255	B = 255	W = 0
		049	Cyaan	R = 0	G = 255	B = 255	W = 0
		050 ⇔ 086	- blauw	R = 0	G = 255	B = 255-0	W = 0
		087	Groen	R = 0	G = 255	B = 0	W = 0
		088 ⇔ 124	+ rood	R = 0-255	G = 255	B = 0	W = 0
		125	Geel	R = 255	G = 255	B = 0	W = 0
		126 ⇔ 162	- groen	R = 255	G = 255-0	B = 0	W = 0
		163	Rood	R = 255	G = 0	B = 0	W = 0
		164 ⇔ 200	+ blauw	R = 255	G = 0	B = 0-255	W = 0
		201	Magenta	R = 255	G = 0	B = 255	W = 0
		202 ⇔ 238	- rood	R = 255-0	G = 0	B = 255	W = 0
		239	Blauw	R = 0	G = 0	B = 255	W = 0
		240 ⇔ 247	Kleurverandering, snel tot langzaam				
248 ⇔ 255	Kleursprong, snel tot langzaam						
<b>11</b>	<b>Gobo</b>	000	Geen functie				
		001 ⇔ 255	Gobos (geïndexeerd)				
<b>12</b>	<b>LED Macro / Automatisch programma</b>	000 ⇔ 015	Geen functie				
		016 ⇔ 135	LED macro's				
		136 ⇔ 255	Automatische programma's				
<b>13</b>	<b>LED Macro / Automatisch programmasnelheid</b>	000 ⇔ 127	Snel tot langzaam				
		128	Bevriezen				
		129 ⇔ 255	Langzaam tot snel				
<b>14</b>	<b>LED ingebouwde vertraging</b>	000 ⇔ 255	Snel tot langzaam				
<b>15</b>	<b>Achtergrondkleur</b>	000	Geen functie				
		001 ⇔ 002	2700K	R = 156	G = 118	B = 0	W = 63
		003 ⇔ 004	3200K	R = 156	G = 141	B = 5	W = 89
		005 ⇔ 006	4200K	R = 156	G = 141	B = 14	W = 255
		007 ⇔ 008	5600K	R = 156	G = 207	B = 54	W = 255
		009 ⇔ 010	8000K	R = 130	G = 255	B = 96	W = 255
		011	Blauw	R = 0	G = 0	B = 255	W = 0
		012 ⇔ 048	+ groen	R = 0	G = 0-255	B = 255	W = 0
		049	Cyaan	R = 0	G = 255	B = 255	W = 0
		050 ⇔ 086	- blauw	R = 0	G = 255	B = 255-0	W = 0
		087	Groen	R = 0	G = 255	B = 0	W = 0
		088 ⇔ 124	+ rood	R = 0-255	G = 255	B = 0	W = 0
		125	Geel	R = 255	G = 255	B = 0	W = 0
		126 ⇔ 162	- groen	R = 255	G = 255-0	B = 0	W = 0
		163	Rood	R = 255	G = 0	B = 0	W = 0
		164 ⇔ 200	+ blauw	R = 255	G = 0	B = 0-255	W = 0
		201	Magenta	R = 255	G = 0	B = 255	W = 0
		202 ⇔ 238	- rood	R = 255-0	G = 0	B = 255	W = 0
		239	Blauw	R = 0	G = 0	B = 255	W = 0
		240 ⇔ 247	Kleurverandering, snel tot langzaam				
248 ⇔ 255	Kleursprong, snel tot langzaam						
<b>16</b>	<b>Achtergronddimmer</b>	000 ⇔ 255	0-100%				
<b>17</b>	<b>Fijneachtergronddimmer</b>	000 ⇔ 255	0-100%				
<b>18</b>	<b>Ringdimmer</b>	000 ⇔ 255	0-100%				
<b>19</b>	<b>Fijneringdimmer</b>	000 ⇔ 255	0-100%				

Kanaal	Functie	Waarde	Percentage/Instelling
20	<b>Straalingsdimmer</b>	000 ⇄ 255	0–100%
21	<b>Fijnestraalingsdimmer</b>	000 ⇄ 255	0–100%
22	<b>Ringsluiters</b>	000 ⇄ 019	Uit
		020 ⇄ 024	Aan
		025 ⇄ 069	Stroboscoop, snel tot langzaam
		070 ⇄ 089	Stroboscoop 100–0%, snel tot langzaam
		090 ⇄ 109	Stroboscoop 0–100%, snel tot langzaam
		110 ⇄ 129	Willekeurigestroboscoop, snel tot langzaam
		130 ⇄ 149	Willekeurigestroboscoop 100–0%, snel tot langzaam
		150 ⇄ 169	Willekeurigestroboscoop 0–100%, snel tot langzaam
		170 ⇄ 189	Pulsstroboscoop, snel tot langzaam
		190 ⇄ 209	Willekeurigepulsstroboscoop, snel tot langzaam
		210 ⇄ 229	Stroboscoop 0–100–0%, snel tot langzaam
		230 ⇄ 244	Willekeurigepulsstroboscoop, snel tot langzaam
245 ⇄ 255	Aan		
23	<b>Straalingsluiters</b>	000 ⇄ 019	Uit
		020 ⇄ 024	Aan
		025 ⇄ 069	Stroboscoop, snel tot langzaam
		070 ⇄ 089	Stroboscoop 100–0%, snel tot langzaam
		090 ⇄ 109	Stroboscoop 0–100%, snel tot langzaam
		110 ⇄ 129	Willekeurigestroboscoop, snel tot langzaam
		130 ⇄ 149	Willekeurigestroboscoop 100–0%, snel tot langzaam
		150 ⇄ 169	Willekeurigestroboscoop 0–100%, snel tot langzaam
		170 ⇄ 189	Pulsstroboscoop, snel tot langzaam
		190 ⇄ 209	Willekeurigepulsstroboscoop, snel tot langzaam
		210 ⇄ 229	Stroboscoop 0–100–0%, snel tot langzaam
		230 ⇄ 244	Willekeurigepulsstroboscoop, snel tot langzaam
245 ⇄ 255	Aan		
24	<b>Zoom</b>	000 ⇄ 255	Breed tot nauw
25	<b>Regeling</b>	000 ⇄ 009	Geen functie
		010 ⇄ 014	Zwenk-/kantelverduistering
		015 ⇄ 019	Gereserveerd voor toekomstig gebruik
		020 ⇄ 024	RGBW-kleurenmengmodus (additief)
		025 ⇄ 029	CMY-kleurenmengmodus (subtractief)
		030 ⇄ 049	Gereserveerd voor toekomstig gebruik
		050 ⇄ 054	Zwenk-reset
		055 ⇄ 059	Kantel-reset
		060 ⇄ 064	Zoom-reset
		065 ⇄ 069	Gereserveerd voor toekomstig gebruik
		070 ⇄ 074	Alles-reset
		075 ⇄ 109	Gereserveerd voor toekomstig gebruik
		110 ⇄ 114	Zwenk-/kantelsnelheid snel
		115 ⇄ 119	Zwenk-/kantelsnelheid langzaam
		120 ⇄ 124	Ventilatormodus langzaam
		125 ⇄ 129	Ventilatormodus volledig
		130 ⇄ 134	Ventilatormodus auto
135 ⇄ 139	Dimmodus snel		
140 ⇄ 144	Dimmodus langzaam		
145 ⇄ 255	Gereserveerd voor toekomstig gebruik		
26	<b>Hoofdrood</b>	000 ⇄ 255	0–100%
27	<b>Fijnehoofdrood</b>	000 ⇄ 255	0–100%
28	<b>Hoofdgroen</b>	000 ⇄ 255	0–100%
29	<b>Fijnehoofdgroen</b>	000 ⇄ 255	0–100%
30	<b>Hoofdblauw</b>	000 ⇄ 255	0–100%
31	<b>Fijnehoofdblauw</b>	000 ⇄ 255	0–100%

Kanaal	Functie	Waarde	Percentage/Instelling
32	Hoofdwit	000 ⇔ 255	0-100%
33	Fijnehoofdwit	000 ⇔ 255	0-100%
34	Rood 1	000 ⇔ 255	0-100%
35	Fijnerood 1	000 ⇔ 255	0-100%
36	Groen 1	000 ⇔ 255	0-100%
37	Fijnegroen 1	000 ⇔ 255	0-100%
38	Blauwe 1	000 ⇔ 255	0-100%
39	Fijneblauw 1	000 ⇔ 255	0-100%
40	Wit 1	000 ⇔ 255	0-100%
41	Fijnewit 1	000 ⇔ 255	0-100%
42	Rood 2	000 ⇔ 255	0-100%
43	Fijnerood 2	000 ⇔ 255	0-100%
44	Groen 2	000 ⇔ 255	0-100%
45	Fijnegroen 2	000 ⇔ 255	0-100%
46	Blauwe 2	000 ⇔ 255	0-100%
47	Fijneblauw 2	000 ⇔ 255	0-100%
48	Wit 2	000 ⇔ 255	0-100%
49	Fijnewit 2	000 ⇔ 255	0-100%
50	Rood 3	000 ⇔ 255	0-100%
51	Fijnerood 3	000 ⇔ 255	0-100%
52	Groen 3	000 ⇔ 255	0-100%
53	Fijnegroen 3	000 ⇔ 255	0-100%
54	Blauwe 3	000 ⇔ 255	0-100%
55	Fijneblauw 3	000 ⇔ 255	0-100%
56	Wit 3	000 ⇔ 255	0-100%
57	Fijnewit 3	000 ⇔ 255	0-100%
58	Rood 4	000 ⇔ 255	0-100%
59	Fijnerood 4	000 ⇔ 255	0-100%
60	Groen 4	000 ⇔ 255	0-100%
61	Fijnegroen 4	000 ⇔ 255	0-100%
62	Blauwe 4	000 ⇔ 255	0-100%
63	Fijneblauw 4	000 ⇔ 255	0-100%
64	Wit 4	000 ⇔ 255	0-100%
65	Fijnewit 4	000 ⇔ 255	0-100%
66	Rood 5	000 ⇔ 255	0-100%
67	Fijnerood 5	000 ⇔ 255	0-100%
68	Groen 5	000 ⇔ 255	0-100%
69	Fijnegroen 5	000 ⇔ 255	0-100%
70	Blauwe 5	000 ⇔ 255	0-100%
71	Fijneblauw 5	000 ⇔ 255	0-100%
72	Wit 5	000 ⇔ 255	0-100%
73	Fijnewit 5	000 ⇔ 255	0-100%
74	Rood 6	000 ⇔ 255	0-100%
75	Fijnerood 6	000 ⇔ 255	0-100%
76	Groen 6	000 ⇔ 255	0-100%
77	Fijnegroen 6	000 ⇔ 255	0-100%
78	Blauwe 6	000 ⇔ 255	0-100%
79	Fijneblauw 6	000 ⇔ 255	0-100%
80	Wit 6	000 ⇔ 255	0-100%
81	Fijnewit 6	000 ⇔ 255	0-100%
82	Rood 7	000 ⇔ 255	0-100%
83	Fijnerood 7	000 ⇔ 255	0-100%
84	Groen 7	000 ⇔ 255	0-100%
85	Fijnegroen 7	000 ⇔ 255	0-100%

Kanaal	Functie	Waarde	Percentage/Instelling
86	Blauwe 7	000 ⇄ 255	0–100%
87	Fijneblauw 7	000 ⇄ 255	0–100%
88	Wit 7	000 ⇄ 255	0–100%
89	Fijnewit 7	000 ⇄ 255	0–100%
90	Rood 8	000 ⇄ 255	0–100%
91	Fijnerood 8	000 ⇄ 255	0–100%
92	Groen 8	000 ⇄ 255	0–100%
93	Fijnegroen 8	000 ⇄ 255	0–100%
94	Blauwe 8	000 ⇄ 255	0–100%
95	Fijneblauw 8	000 ⇄ 255	0–100%
96	Wit 8	000 ⇄ 255	0–100%
97	Fijnewit 8	000 ⇄ 255	0–100%
98	Rood 9	000 ⇄ 255	0–100%
99	Fijnerood 9	000 ⇄ 255	0–100%
100	Groen 9	000 ⇄ 255	0–100%
101	Fijnegroen 9	000 ⇄ 255	0–100%
102	Blauwe 9	000 ⇄ 255	0–100%
103	Fijneblauw 9	000 ⇄ 255	0–100%
104	Wit 9	000 ⇄ 255	0–100%
105	Fijnewit 9	000 ⇄ 255	0–100%
106	Rood 10	000 ⇄ 255	0–100%
107	Fijnerood 10	000 ⇄ 255	0–100%
108	Groen 10	000 ⇄ 255	0–100%
109	Fijnegroen 10	000 ⇄ 255	0–100%
110	Blauwe 10	000 ⇄ 255	0–100%
111	Fijneblauw 10	000 ⇄ 255	0–100%
112	Wit 10	000 ⇄ 255	0–100%
113	Fijnewit 10	000 ⇄ 255	0–100%



**“Single Control”: “Standard”-modus (66-kanaal)**

Kanaal	Functie	Waarde	Percentage/Instelling
1	Zwenken	000 ⇔ 255	0–100%
2	Fijnezwenken	000 ⇔ 255	0–100%
3	Kantelen	000 ⇔ 255	0–100%
4	Fijnekantelen	000 ⇔ 255	0–100%
5	Continue zwenken	000	Geen functie
		001 ⇔ 127	Continue zwenken, snel tot langzaam
		128	Geen functie
		129 ⇔ 255	Omgekeerde continue zwenken, langzaam tot snel
6	Continue kantelen	000	Geen functie
		001 ⇔ 127	Continue kantelen, snel tot langzaam
		128	Geen functie
		129 ⇔ 255	Omgekeerde continue kantelen, langzaam tot snel
7	Zwenken/Kantelensnelheid	000 ⇔ 255	Snel tot langzaam
8	CTC	000	Geen functie
		001 ⇔ 255	Kleurtemperatuur, 2800–10000 K
9	Ring kleur	000	Geen functie
		001 ⇔ 002	2700K R = 156 G = 118 B = 0 W = 63
		003 ⇔ 004	3200K R = 156 G = 141 B = 5 W = 89
		005 ⇔ 006	4200K R = 156 G = 141 B = 14 W = 255
		007 ⇔ 008	5600K R = 156 G = 207 B = 54 W = 255
		009 ⇔ 010	8000K R = 130 G = 255 B = 96 W = 255
		011	Blauw R = 0 G = 0 B = 255 W = 0
		012 ⇔ 048	+ groen R = 0 G = 0–255 B = 255 W = 0
		049	Cyaan R = 0 G = 255 B = 255 W = 0
		050 ⇔ 086	- blauw R = 0 G = 255 B = 255–0 W = 0
		087	Groen R = 0 G = 255 B = 0 W = 0
		088 ⇔ 124	+ rood R = 0–255 G = 255 B = 0 W = 0
		125	Geel R = 255 G = 255 B = 0 W = 0
		126 ⇔ 162	- groen R = 255 G = 255–0 B = 0 W = 0
		163	Rood R = 255 G = 0 B = 0 W = 0
		164 ⇔ 200	+ blauw R = 255 G = 0 B = 0–255 W = 0
		201	Magenta R = 255 G = 0 B = 255 W = 0
		202 ⇔ 238	- rood R = 255–0 G = 0 B = 255 W = 0
		239	Blauw R = 0 G = 0 B = 255 W = 0
		240 ⇔ 247	Kleurverandering, snel tot langzaam
248 ⇔ 255	Kleursprong, snel tot langzaam		

Kanaal	Functie	Waarde	Percentage/Instelling				
<b>10</b>	<b>Straalingskleur</b>	000	Geen functie				
		001 ⇄ 002	2700K	R = 156	G = 118	B = 0	W = 63
		003 ⇄ 004	3200K	R = 156	G = 141	B = 5	W = 89
		005 ⇄ 006	4200K	R = 156	G = 141	B = 14	W = 255
		007 ⇄ 008	5600K	R = 156	G = 207	B = 54	W = 255
		009 ⇄ 010	8000K	R = 130	G = 255	B = 96	W = 255
		011	Blauw	R = 0	G = 0	B = 255	W = 0
		012 ⇄ 048	+ groen	R = 0	G = 0–255	B = 255	W = 0
		049	Cyaan	R = 0	G = 255	B = 255	W = 0
		050 ⇄ 086	- blauw	R = 0	G = 255	B = 255–0	W = 0
		087	Groen	R = 0	G = 255	B = 0	W = 0
		088 ⇄ 124	+ rood	R = 0–255	G = 255	B = 0	W = 0
		125	Geel	R = 255	G = 255	B = 0	W = 0
		126 ⇄ 162	- groen	R = 255	G = 255–0	B = 0	W = 0
		163	Rood	R = 255	G = 0	B = 0	W = 0
		164 ⇄ 200	+ blauw	R = 255	G = 0	B = 0–255	W = 0
		201	Magenta	R = 255	G = 0	B = 255	W = 0
		202 ⇄ 238	- rood	R = 255–0	G = 0	B = 255	W = 0
		239	Blauw	R = 0	G = 0	B = 255	W = 0
		240 ⇄ 247	Kleurverandering, snel tot langzaam				
248 ⇄ 255	Kleursprong, snel tot langzaam						
<b>11</b>	<b>Gobo</b>	000	Geen functie				
		001 ⇄ 255	Gobos (geïndexeerd)				
<b>12</b>	<b>LED Macro / Automatisch programma</b>	000 ⇄ 015	Geen functie				
		016 ⇄ 135	LED macro's				
		136 ⇄ 255	Automatische programma's				
<b>13</b>	<b>LED Macro / Automatisch programmasnelheid</b>	000 ⇄ 127	Snel tot langzaam				
		128	Bevriezen				
		129 ⇄ 255	Langzaam tot snel				
<b>14</b>	<b>LED ingebouwde vertraging</b>	000 ⇄ 255	Snel tot langzaam				
<b>15</b>	<b>Achtergrondkleur</b>	000	Geen functie				
		001 ⇄ 002	2700K	R = 156	G = 118	B = 0	W = 63
		003 ⇄ 004	3200K	R = 156	G = 141	B = 5	W = 89
		005 ⇄ 006	4200K	R = 156	G = 141	B = 14	W = 255
		007 ⇄ 008	5600K	R = 156	G = 207	B = 54	W = 255
		009 ⇄ 010	8000K	R = 130	G = 255	B = 96	W = 255
		011	Blauw	R = 0	G = 0	B = 255	W = 0
		012 ⇄ 048	+ groen	R = 0	G = 0–255	B = 255	W = 0
		049	Cyaan	R = 0	G = 255	B = 255	W = 0
		050 ⇄ 086	- blauw	R = 0	G = 255	B = 255–0	W = 0
		087	Groen	R = 0	G = 255	B = 0	W = 0
		088 ⇄ 124	+ rood	R = 0–255	G = 255	B = 0	W = 0
		125	Geel	R = 255	G = 255	B = 0	W = 0
		126 ⇄ 162	- groen	R = 255	G = 255–0	B = 0	W = 0
		163	Rood	R = 255	G = 0	B = 0	W = 0
		164 ⇄ 200	+ blauw	R = 255	G = 0	B = 0–255	W = 0
		201	Magenta	R = 255	G = 0	B = 255	W = 0
		202 ⇄ 238	- rood	R = 255–0	G = 0	B = 255	W = 0
		239	Blauw	R = 0	G = 0	B = 255	W = 0
		240 ⇄ 247	Kleurverandering, snel tot langzaam				
248 ⇄ 255	Kleursprong, snel tot langzaam						
<b>16</b>	<b>Achtergronddimmer</b>	000 ⇄ 255	0–100%				
<b>17</b>	<b>Ringdimmer</b>	000 ⇄ 255	0–100%				
<b>18</b>	<b>Straalingsdimmer</b>	000 ⇄ 255	0–100%				

Kanaal	Functie	Waarde	Percentage/Instelling
19	Ringsluiter	000 ⇔ 019	Uit
		020 ⇔ 024	Aan
		025 ⇔ 069	Stroboscoop, snel tot langzaam
		070 ⇔ 089	Stroboscoop 100–0%, snel tot langzaam
		090 ⇔ 109	Stroboscoop 0–100%, snel tot langzaam
		110 ⇔ 129	Willekeurigestroboscoop, snel tot langzaam
		130 ⇔ 149	Willekeurigestroboscoop 100–0%, snel tot langzaam
		150 ⇔ 169	Willekeurigestroboscoop 0–100%, snel tot langzaam
		170 ⇔ 189	Pulsstroboscoop, snel tot langzaam
		190 ⇔ 209	Willekeurigepulsstroboscoop, snel tot langzaam
		210 ⇔ 229	Stroboscoop 0–100–0%, snel tot langzaam
		230 ⇔ 244	Willekeurigepulsstroboscoop, snel tot langzaam
		245 ⇔ 255	Aan
20	Straalingsluiter	000 ⇔ 019	Uit
		020 ⇔ 024	Aan
		025 ⇔ 069	Stroboscoop, snel tot langzaam
		070 ⇔ 089	Stroboscoop 100–0%, snel tot langzaam
		090 ⇔ 109	Stroboscoop 0–100%, snel tot langzaam
		110 ⇔ 129	Willekeurigestroboscoop, snel tot langzaam
		130 ⇔ 149	Willekeurigestroboscoop 100–0%, snel tot langzaam
		150 ⇔ 169	Willekeurigestroboscoop 0–100%, snel tot langzaam
		170 ⇔ 189	Pulsstroboscoop, snel tot langzaam
		190 ⇔ 209	Willekeurigepulsstroboscoop, snel tot langzaam
210 ⇔ 229	Stroboscoop 0–100–0%, snel tot langzaam		
230 ⇔ 244	Willekeurigepulsstroboscoop, snel tot langzaam		
245 ⇔ 255	Aan		
21	Zoom	000 ⇔ 255	Breed tot nauw
22	Regeling	000 ⇔ 009	Geen functie
		010 ⇔ 014	Zwenk-/kantelverduistering
		015 ⇔ 019	Gereserveerd voor toekomstig gebruik
		020 ⇔ 024	RGBW-kleurenmengmodus (additief)
		025 ⇔ 029	CMY-kleurenmengmodus (subtractief)
		030 ⇔ 049	Gereserveerd voor toekomstig gebruik
		050 ⇔ 054	Zwenk-reset
		055 ⇔ 059	Kantel-reset
		060 ⇔ 064	Zoom-reset
		065 ⇔ 069	Gereserveerd voor toekomstig gebruik
		070 ⇔ 074	Alles-reset
		075 ⇔ 109	Gereserveerd voor toekomstig gebruik
		110 ⇔ 114	Zwenk-/kantelsnelheid snel
		115 ⇔ 119	Zwenk-/kantelsnelheid langzaam
		120 ⇔ 124	Ventilatormodus langzaam
		125 ⇔ 129	Ventilatormodus volledig
130 ⇔ 134	Ventilatormodus auto		
135 ⇔ 139	Dimmodus snel		
140 ⇔ 144	Dimmodus langzaam		
145 ⇔ 255	Gereserveerd voor toekomstig gebruik		
23	Hoofdrood	000 ⇔ 255	0–100%
24	Hoofdgroen	000 ⇔ 255	0–100%
25	Hoofdblauw	000 ⇔ 255	0–100%
26	Hoofdwit	000 ⇔ 255	0–100%
27	Rood 1	000 ⇔ 255	0–100%
28	Groen 1	000 ⇔ 255	0–100%
29	Blauw 1	000 ⇔ 255	0–100%
30	Wit 1	000 ⇔ 255	0–100%

Kanaal	Functie	Waarde	Percentage/Instelling
31	Rood 2	000 ⇄ 255	0–100%
32	Groen 2	000 ⇄ 255	0–100%
33	Blauw 2	000 ⇄ 255	0–100%
34	Wit 2	000 ⇄ 255	0–100%
35	Rood 3	000 ⇄ 255	0–100%
36	Groen 3	000 ⇄ 255	0–100%
37	Blauw 3	000 ⇄ 255	0–100%
38	Wit 3	000 ⇄ 255	0–100%
39	Rood 4	000 ⇄ 255	0–100%
40	Groen 4	000 ⇄ 255	0–100%
41	Blauw 4	000 ⇄ 255	0–100%
42	Wit 4	000 ⇄ 255	0–100%
43	Rood 5	000 ⇄ 255	0–100%
44	Groen 5	000 ⇄ 255	0–100%
45	Blauw 5	000 ⇄ 255	0–100%
46	Wit 5	000 ⇄ 255	0–100%
47	Rood 6	000 ⇄ 255	0–100%
48	Groen 6	000 ⇄ 255	0–100%
49	Blauw 6	000 ⇄ 255	0–100%
50	Wit 6	000 ⇄ 255	0–100%
51	Rood 7	000 ⇄ 255	0–100%
52	Groen 7	000 ⇄ 255	0–100%
53	Blauw 7	000 ⇄ 255	0–100%
54	Wit 7	000 ⇄ 255	0–100%
55	Rood 8	000 ⇄ 255	0–100%
56	Groen 8	000 ⇄ 255	0–100%
57	Blauw 8	000 ⇄ 255	0–100%
58	Wit 8	000 ⇄ 255	0–100%
59	Rood 9	000 ⇄ 255	0–100%
60	Groen 9	000 ⇄ 255	0–100%
61	Blauw 9	000 ⇄ 255	0–100%
62	Wit 9	000 ⇄ 255	0–100%
63	Rood 10	000 ⇄ 255	0–100%
64	Groen 10	000 ⇄ 255	0–100%
65	Blauw 10	000 ⇄ 255	0–100%
66	Wit 10	000 ⇄ 255	0–100%

“Single Control”: “Basic”-modus (26-kanaal)

Kanaal	Functie	Waarde	Percentage/Instelling
1	Zwenken	000 ⇄ 255	0–100%
2	Fijnezwenken	000 ⇄ 255	0–100%
3	Kantelen	000 ⇄ 255	0–100%
4	Fijnekantelen	000 ⇄ 255	0–100%
5	Continue zwenken	000	Geen functie
		001 ⇄ 127	Continue zwenken, snel tot langzaam
		128	Geen functie
		129 ⇄ 255	Omgekeerde continue zwenken, langzaam tot snel
6	Continue kantelen	000	Geen functie
		001 ⇄ 127	Continue kantelen, snel tot langzaam
		128	Geen functie
		129 ⇄ 255	Omgekeerde continue kantelen, langzaam tot snel
7	Zwenken/Kantelensnelheid	000 ⇄ 255	Snel tot langzaam
8	CTC	000	Geen functie
		001 ⇄ 255	Kleurtemperatuur, 2800–10000 K

Kanaal	Functie	Waarde	Percentage/Instelling				
<b>9</b>	<b>Ring kleur</b>	000	Geen functie				
		001 ⇔ 002	2700K	R = 156	G = 118	B = 0	W = 63
		003 ⇔ 004	3200K	R = 156	G = 141	B = 5	W = 89
		005 ⇔ 006	4200K	R = 156	G = 141	B = 14	W = 255
		007 ⇔ 008	5600K	R = 156	G = 207	B = 54	W = 255
		009 ⇔ 010	8000K	R = 130	G = 255	B = 96	W = 255
		011	Blauw	R = 0	G = 0	B = 255	W = 0
		012 ⇔ 048	+ groen	R = 0	G = 0-255	B = 255	W = 0
		049	Cyaan	R = 0	G = 255	B = 255	W = 0
		050 ⇔ 086	- blauw	R = 0	G = 255	B = 255-0	W = 0
		087	Groen	R = 0	G = 255	B = 0	W = 0
		088 ⇔ 124	+ rood	R = 0-255	G = 255	B = 0	W = 0
		125	Geel	R = 255	G = 255	B = 0	W = 0
		126 ⇔ 162	- groen	R = 255	G = 255-0	B = 0	W = 0
		163	Rood	R = 255	G = 0	B = 0	W = 0
		164 ⇔ 200	+ blauw	R = 255	G = 0	B = 0-255	W = 0
		201	Magenta	R = 255	G = 0	B = 255	W = 0
		202 ⇔ 238	- rood	R = 255-0	G = 0	B = 255	W = 0
		239	Blauw	R = 0	G = 0	B = 255	W = 0
		240 ⇔ 247	Kleurverandering, snel tot langzaam				
248 ⇔ 255	Kleursprong, snel tot langzaam						
<b>10</b>	<b>Straalingskleur</b>	000	Geen functie				
		001 ⇔ 002	2700K	R = 156	G = 118	B = 0	W = 63
		003 ⇔ 004	3200K	R = 156	G = 141	B = 5	W = 89
		005 ⇔ 006	4200K	R = 156	G = 141	B = 14	W = 255
		007 ⇔ 008	5600K	R = 156	G = 207	B = 54	W = 255
		009 ⇔ 010	8000K	R = 130	G = 255	B = 96	W = 255
		011	Blauw	R = 0	G = 0	B = 255	W = 0
		012 ⇔ 048	+ groen	R = 0	G = 0-255	B = 255	W = 0
		049	Cyaan	R = 0	G = 255	B = 255	W = 0
		050 ⇔ 086	- blauw	R = 0	G = 255	B = 255-0	W = 0
		087	Groen	R = 0	G = 255	B = 0	W = 0
		088 ⇔ 124	+ rood	R = 0-255	G = 255	B = 0	W = 0
		125	Geel	R = 255	G = 255	B = 0	W = 0
		126 ⇔ 162	- groen	R = 255	G = 255-0	B = 0	W = 0
		163	Rood	R = 255	G = 0	B = 0	W = 0
		164 ⇔ 200	+ blauw	R = 255	G = 0	B = 0-255	W = 0
		201	Magenta	R = 255	G = 0	B = 255	W = 0
		202 ⇔ 238	- rood	R = 255-0	G = 0	B = 255	W = 0
		239	Blauw	R = 0	G = 0	B = 255	W = 0
		240 ⇔ 247	Kleurverandering, snel tot langzaam				
248 ⇔ 255	Kleursprong, snel tot langzaam						
<b>11</b>	<b>Gobo</b>	000	Geen functie				
		001 ⇔ 255	Gobos (geïndexeerd)				
<b>12</b>	<b>LED Macro / Automatisch programma</b>	000 ⇔ 015	Geen functie				
		016 ⇔ 135	LED macro's				
		136 ⇔ 255	Automatische programma's				
<b>13</b>	<b>LED Macro / Automatisch programmasnelheid</b>	000 ⇔ 127	Snel tot langzaam				
		128	Bevriezen				
		129 ⇔ 255	Langzaam tot snel				
<b>14</b>	<b>LED ingebouwde vertraging</b>	000 ⇔ 255	Snel tot langzaam				

Kanaal	Functie	Waarde	Percentage/Instelling
15	Achtergrondkleur	000	Geen functie
		001 ⇄ 002	2700K R = 156 G = 118 B = 0 W = 63
		003 ⇄ 004	3200K R = 156 G = 141 B = 5 W = 89
		005 ⇄ 006	4200K R = 156 G = 141 B = 14 W = 255
		007 ⇄ 008	5600K R = 156 G = 207 B = 54 W = 255
		009 ⇄ 010	8000K R = 130 G = 255 B = 96 W = 255
		011	Blauw R = 0 G = 0 B = 255 W = 0
		012 ⇄ 048	+ groen R = 0 G = 0–255 B = 255 W = 0
		049	Cyaan R = 0 G = 255 B = 255 W = 0
		050 ⇄ 086	- blauw R = 0 G = 255 B = 255–0 W = 0
		087	Groen R = 0 G = 255 B = 0 W = 0
		088 ⇄ 124	+ rood R = 0–255 G = 255 B = 0 W = 0
		125	Geel R = 255 G = 255 B = 0 W = 0
		126 ⇄ 162	- groen R = 255 G = 255–0 B = 0 W = 0
		163	Rood R = 255 G = 0 B = 0 W = 0
		164 ⇄ 200	+ blauw R = 255 G = 0 B = 0–255 W = 0
		201	Magenta R = 255 G = 0 B = 255 W = 0
		202 ⇄ 238	- rood R = 255–0 G = 0 B = 255 W = 0
		239	Blauw R = 0 G = 0 B = 255 W = 0
		240 ⇄ 247	Kleurverandering, snel tot langzaam
248 ⇄ 255	Kleursprong, snel tot langzaam		
16	Achtergronddimmer	000 ⇄ 255	0–100%
17	Ringdimmer	000 ⇄ 255	0–100%
18	Straalingsdimmer	000 ⇄ 255	0–100%
19	Ringsluiters	000 ⇄ 019	Uit
		020 ⇄ 024	Aan
		025 ⇄ 069	Stroboscoop, snel tot langzaam
		070 ⇄ 089	Stroboscoop 100–0%, snel tot langzaam
		090 ⇄ 109	Stroboscoop 0–100%, snel tot langzaam
		110 ⇄ 129	Willekeurigestroboscoop, snel tot langzaam
		130 ⇄ 149	Willekeurigestroboscoop 100–0%, snel tot langzaam
		150 ⇄ 169	Willekeurigestroboscoop 0–100%, snel tot langzaam
		170 ⇄ 189	Pulsstroboscoop, snel tot langzaam
		190 ⇄ 209	Willekeurigepulsstroboscoop, snel tot langzaam
		210 ⇄ 229	Stroboscoop 0–100–0%, snel tot langzaam
		230 ⇄ 244	Willekeurigepulsstroboscoop, snel tot langzaam
		245 ⇄ 255	Aan
20	Straalingsluiters	000 ⇄ 019	Uit
		020 ⇄ 024	Aan
		025 ⇄ 069	Stroboscoop, snel tot langzaam
		070 ⇄ 089	Stroboscoop 100–0%, snel tot langzaam
		090 ⇄ 109	Stroboscoop 0–100%, snel tot langzaam
		110 ⇄ 129	Willekeurigestroboscoop, snel tot langzaam
		130 ⇄ 149	Willekeurigestroboscoop 100–0%, snel tot langzaam
		150 ⇄ 169	Willekeurigestroboscoop 0–100%, snel tot langzaam
		170 ⇄ 189	Pulsstroboscoop, snel tot langzaam
		190 ⇄ 209	Willekeurigepulsstroboscoop, snel tot langzaam
		210 ⇄ 229	Stroboscoop 0–100–0%, snel tot langzaam
		230 ⇄ 244	Willekeurigepulsstroboscoop, snel tot langzaam
		245 ⇄ 255	Aan
21	Zoom	000 ⇄ 255	Breed tot nauw

Kanaal	Functie	Waarde	Percentage/Instelling
22	Regeling	000 ⇔ 009	Geen functie
		010 ⇔ 014	Zwenk-/kantelverduistering
		015 ⇔ 019	Gereserveerd voor toekomstig gebruik
		020 ⇔ 024	RGBW-kleurenmengmodus (additief)
		025 ⇔ 029	CMY-kleurenmengmodus (subtractief)
		030 ⇔ 049	Gereserveerd voor toekomstig gebruik
		050 ⇔ 054	Zwenk-reset
		055 ⇔ 059	Kantel-reset
		060 ⇔ 064	Zoom-reset
		065 ⇔ 069	Gereserveerd voor toekomstig gebruik
		070 ⇔ 074	Alles-reset
		075 ⇔ 109	Gereserveerd voor toekomstig gebruik
		110 ⇔ 114	Zwenk-/kantelsnelheid snel
		115 ⇔ 119	Zwenk-/kantelsnelheid langzaam
		120 ⇔ 124	Ventilatormodus langzaam
		125 ⇔ 129	Ventilatormodus volledig
130 ⇔ 134	Ventilatormodus auto		
135 ⇔ 139	Dimmodus snel		
140 ⇔ 144	Dimmodus langzaam		
145 ⇔ 255	Gereserveerd voor toekomstig gebruik		
23	Hoofdrood	000 ⇔ 255	0–100%
24	Hoofdgroen	000 ⇔ 255	0–100%
25	Hoofdblauw	000 ⇔ 255	0–100%
26	Hoofdwit	000 ⇔ 255	0–100%

## “Dual Control”-waarden (Movement)

“Dual Control”: “Advanced Movement”-modus (41-kanaal)

Kanaal	Functie	Waarde	Percentage/Instelling
1	Zwenken	000 ⇔ 255	0–100%
2	Fijnezwenken	000 ⇔ 255	0–100%
3	Kantelen	000 ⇔ 255	0–100%
4	Fijnekantelen	000 ⇔ 255	0–100%
5	Continue zwenken	000	Geen functie
		001 ⇔ 127	Continue zwenken, snel tot langzaam
		128	Geen functie
		129 ⇔ 255	Omgekeerde continue zwenken, langzaam tot snel
6	Continue kantelen	000	Geen functie
		001 ⇔ 127	Continue kantelen, snel tot langzaam
		128	Geen functie
		129 ⇔ 255	Omgekeerde continue kantelen, langzaam tot snel
7	Zwenken/Kantelensnelheid	000 ⇔ 255	Snel tot langzaam
8	CTC	000	Geen functie
		001 ⇔ 255	Kleurtemperatuur, 2800–10000 K
9	Ring kleur	000	Geen functie
		001 ⇔ 002	2700K R = 156 G = 118 B = 0 W = 63
		003 ⇔ 004	3200K R = 156 G = 141 B = 5 W = 89
		005 ⇔ 006	4200K R = 156 G = 141 B = 14 W = 255
		007 ⇔ 008	5600K R = 156 G = 207 B = 54 W = 255
		009 ⇔ 010	8000K R = 130 G = 255 B = 96 W = 255
		011	Blauw R = 0 G = 0 B = 255 W = 0
		012 ⇔ 048	+ groen R = 0 G = 0–255 B = 255 W = 0
		049	Cyaan R = 0 G = 255 B = 255 W = 0
		050 ⇔ 086	- blauw R = 0 G = 255 B = 255–0 W = 0
		087	Groen R = 0 G = 255 B = 0 W = 0
		088 ⇔ 124	+ rood R = 0–255 G = 255 B = 0 W = 0
		125	Geel R = 255 G = 255 B = 0 W = 0
		126 ⇔ 162	- groen R = 255 G = 255–0 B = 0 W = 0
		163	Rood R = 255 G = 0 B = 0 W = 0
		164 ⇔ 200	+ blauw R = 255 G = 0 B = 0–255 W = 0
		201	Magenta R = 255 G = 0 B = 255 W = 0
		202 ⇔ 238	- rood R = 255–0 G = 0 B = 255 W = 0
		239	Blauw R = 0 G = 0 B = 255 W = 0
		240 ⇔ 247	Kleurverandering, snel tot langzaam
248 ⇔ 255	Kleursprong, snel tot langzaam		



Kanaal	Functie	Waarde	Percentage/Instelling				
<b>10</b>	<b>Straalingskleur</b>	000	Geen functie				
		001 ⇔ 002	2700K	R = 156	G = 118	B = 0	W = 63
		003 ⇔ 004	3200K	R = 156	G = 141	B = 5	W = 89
		005 ⇔ 006	4200K	R = 156	G = 141	B = 14	W = 255
		007 ⇔ 008	5600K	R = 156	G = 207	B = 54	W = 255
		009 ⇔ 010	8000K	R = 130	G = 255	B = 96	W = 255
		011	Blauw	R = 0	G = 0	B = 255	W = 0
		012 ⇔ 048	+ groen	R = 0	G = 0-255	B = 255	W = 0
		049	Cyaan	R = 0	G = 255	B = 255	W = 0
		050 ⇔ 086	- blauw	R = 0	G = 255	B = 255-0	W = 0
		087	Groen	R = 0	G = 255	B = 0	W = 0
		088 ⇔ 124	+ rood	R = 0-255	G = 255	B = 0	W = 0
		125	Geel	R = 255	G = 255	B = 0	W = 0
		126 ⇔ 162	- groen	R = 255	G = 255-0	B = 0	W = 0
		163	Rood	R = 255	G = 0	B = 0	W = 0
		164 ⇔ 200	+ blauw	R = 255	G = 0	B = 0-255	W = 0
		201	Magenta	R = 255	G = 0	B = 255	W = 0
		202 ⇔ 238	- rood	R = 255-0	G = 0	B = 255	W = 0
		239	Blauw	R = 0	G = 0	B = 255	W = 0
		240 ⇔ 247	Kleurverandering, snel tot langzaam				
248 ⇔ 255	Kleursprong, snel tot langzaam						
<b>11</b>	<b>Gobo</b>	000	Geen functie				
		001 ⇔ 255	Gobos (geïndexeerd)				
<b>12</b>	<b>LED Macro / Automatisch programma</b>	000 ⇔ 015	Geen functie				
		016 ⇔ 135	LED macro's				
		136 ⇔ 255	Automatische programma's				
<b>13</b>	<b>LED Macro / Automatisch programmasnelheid</b>	000 ⇔ 127	Snel tot langzaam				
		128	Bevriezen				
		129 ⇔ 255	Langzaam tot snel				
<b>14</b>	<b>LED ingebouwde vertraging</b>	000 ⇔ 255	Snel tot langzaam				
<b>15</b>	<b>Achtergrondkleur</b>	000	Geen functie				
		001 ⇔ 002	2700K	R = 156	G = 118	B = 0	W = 63
		003 ⇔ 004	3200K	R = 156	G = 141	B = 5	W = 89
		005 ⇔ 006	4200K	R = 156	G = 141	B = 14	W = 255
		007 ⇔ 008	5600K	R = 156	G = 207	B = 54	W = 255
		009 ⇔ 010	8000K	R = 130	G = 255	B = 96	W = 255
		011	Blauw	R = 0	G = 0	B = 255	W = 0
		012 ⇔ 048	+ groen	R = 0	G = 0-255	B = 255	W = 0
		049	Cyaan	R = 0	G = 255	B = 255	W = 0
		050 ⇔ 086	- blauw	R = 0	G = 255	B = 255-0	W = 0
		087	Groen	R = 0	G = 255	B = 0	W = 0
		088 ⇔ 124	+ rood	R = 0-255	G = 255	B = 0	W = 0
		125	Geel	R = 255	G = 255	B = 0	W = 0
		126 ⇔ 162	- groen	R = 255	G = 255-0	B = 0	W = 0
		163	Rood	R = 255	G = 0	B = 0	W = 0
		164 ⇔ 200	+ blauw	R = 255	G = 0	B = 0-255	W = 0
		201	Magenta	R = 255	G = 0	B = 255	W = 0
		202 ⇔ 238	- rood	R = 255-0	G = 0	B = 255	W = 0
		239	Blauw	R = 0	G = 0	B = 255	W = 0
		240 ⇔ 247	Kleurverandering, snel tot langzaam				
248 ⇔ 255	Kleursprong, snel tot langzaam						
<b>16</b>	<b>Achtergronddimmer</b>	000 ⇔ 255	0-100%				
<b>17</b>	<b>Fijneachtergronddimmer</b>	000 ⇔ 255	0-100%				
<b>18</b>	<b>Ringdimmer</b>	000 ⇔ 255	0-100%				
<b>19</b>	<b>Fijneringdimmer</b>	000 ⇔ 255	0-100%				

Kanaal	Functie	Waarde	Percentage/Instelling
20	<b>Straalingsdimmer</b>	000 ⇄ 255	0–100%
21	<b>Fijnstraalingsdimmer</b>	000 ⇄ 255	0–100%
22	<b>Ringsluiters</b>	000 ⇄ 019	Uit
		020 ⇄ 024	Aan
		025 ⇄ 069	Stroboscoop, snel tot langzaam
		070 ⇄ 089	Stroboscoop 100–0%, snel tot langzaam
		090 ⇄ 109	Stroboscoop 0–100%, snel tot langzaam
		110 ⇄ 129	Willekeurigestroboscoop, snel tot langzaam
		130 ⇄ 149	Willekeurigestroboscoop 100–0%, snel tot langzaam
		150 ⇄ 169	Willekeurigestroboscoop 0–100%, snel tot langzaam
		170 ⇄ 189	Pulsstroboscoop, snel tot langzaam
		190 ⇄ 209	Willekeurigepulsstroboscoop, snel tot langzaam
		210 ⇄ 229	Stroboscoop 0–100–0%, snel tot langzaam
		230 ⇄ 244	Willekeurigepulsstroboscoop, snel tot langzaam
245 ⇄ 255	Aan		
23	<b>Straalingsluiters</b>	000 ⇄ 019	Uit
		020 ⇄ 024	Aan
		025 ⇄ 069	Stroboscoop, snel tot langzaam
		070 ⇄ 089	Stroboscoop 100–0%, snel tot langzaam
		090 ⇄ 109	Stroboscoop 0–100%, snel tot langzaam
		110 ⇄ 129	Willekeurigestroboscoop, snel tot langzaam
		130 ⇄ 149	Willekeurigestroboscoop 100–0%, snel tot langzaam
		150 ⇄ 169	Willekeurigestroboscoop 0–100%, snel tot langzaam
		170 ⇄ 189	Pulsstroboscoop, snel tot langzaam
		190 ⇄ 209	Willekeurigepulsstroboscoop, snel tot langzaam
		210 ⇄ 229	Stroboscoop 0–100–0%, snel tot langzaam
		230 ⇄ 244	Willekeurigepulsstroboscoop, snel tot langzaam
245 ⇄ 255	Aan		
24	<b>Zoom</b>	000 ⇄ 255	Breed tot nauw
25	<b>Regeling</b>	000 ⇄ 009	Geen functie
		010 ⇄ 014	Zwenk-/kantelverduistering
		015 ⇄ 019	Gereserveerd voor toekomstig gebruik
		020 ⇄ 024	RGBW-kleurenmengmodus (additief)
		025 ⇄ 029	CMY-kleurenmengmodus (subtractief)
		030 ⇄ 049	Gereserveerd voor toekomstig gebruik
		050 ⇄ 054	Zwenk-reset
		055 ⇄ 059	Kantel-reset
		060 ⇄ 064	Zoom-reset
		065 ⇄ 069	Gereserveerd voor toekomstig gebruik
		070 ⇄ 074	Alles-reset
		075 ⇄ 109	Gereserveerd voor toekomstig gebruik
		110 ⇄ 114	Zwenk-/kantelsnelheid snel
		115 ⇄ 119	Zwenk-/kantelsnelheid langzaam
		120 ⇄ 124	Ventilatormodus langzaam
		125 ⇄ 129	Ventilatormodus volledig
		130 ⇄ 134	Ventilatormodus auto
135 ⇄ 139	Dimmodus snel		
140 ⇄ 144	Dimmodus langzaam		
145 ⇄ 255	Gereserveerd voor toekomstig gebruik		
26	<b>Ringrood</b>	000 ⇄ 255	0–100%
27	<b>Fijneringrood</b>	000 ⇄ 255	0–100%
28	<b>Straalrood</b>	000 ⇄ 255	0–100%
29	<b>Fijnstraalrood</b>	000 ⇄ 255	0–100%
30	<b>Ringgroen</b>	000 ⇄ 255	0–100%
31	<b>Fijneringroen</b>	000 ⇄ 255	0–100%

Kanaal	Functie	Waarde	Percentage/Instelling
32	Straalgroen	000 ⇔ 255	0–100%
33	Fijnestraalgroen	000 ⇔ 255	0–100%
34	Ringblauw	000 ⇔ 255	0–100%
35	Fijneringblauw	000 ⇔ 255	0–100%
36	Straalblauw	000 ⇔ 255	0–100%
37	Fijnestraalblauw	000 ⇔ 255	0–100%
38	Ringwit	000 ⇔ 255	0–100%
39	Fijneringwit	000 ⇔ 255	0–100%
40	Straalwit	000 ⇔ 255	0–100%
41	Fijnestraalwit	000 ⇔ 255	0–100%

**“Dual Control”: “Standard Movement”-modus (30-kanaal)**

Kanaal	Functie	Waarde	Percentage/Instelling
1	Zwenken	000 ⇔ 255	0–100%
2	Fijnezwenken	000 ⇔ 255	0–100%
3	Kantelen	000 ⇔ 255	0–100%
4	Fijnekantelen	000 ⇔ 255	0–100%
5	Continue zwenken	000	Geen functie
		001 ⇔ 127	Continue zwenken, snel tot langzaam
		128	Geen functie
		129 ⇔ 255	Omgekeerde continue zwenken, langzaam tot snel
6	Continue kantelen	000	Geen functie
		001 ⇔ 127	Continue kantelen, snel tot langzaam
		128	Geen functie
		129 ⇔ 255	Omgekeerde continue kantelen, langzaam tot snel
7	Zwenken/Kantelensnelheid	000 ⇔ 255	Snel tot langzaam
8	CTC	000	Geen functie
		001 ⇔ 255	Kleurtemperatuur, 2800–10000 K
9	Ring kleur	000	Geen functie
		001 ⇔ 002	2700K R = 156 G = 118 B = 0 W = 63
		003 ⇔ 004	3200K R = 156 G = 141 B = 5 W = 89
		005 ⇔ 006	4200K R = 156 G = 141 B = 14 W = 255
		007 ⇔ 008	5600K R = 156 G = 207 B = 54 W = 255
		009 ⇔ 010	8000K R = 130 G = 255 B = 96 W = 255
		011	Blauw R = 0 G = 0 B = 255 W = 0
		012 ⇔ 048	+ groen R = 0 G = 0–255 B = 255 W = 0
		049	Cyaan R = 0 G = 255 B = 255 W = 0
		050 ⇔ 086	- blauw R = 0 G = 255 B = 255–0 W = 0
		087	Groen R = 0 G = 255 B = 0 W = 0
		088 ⇔ 124	+ rood R = 0–255 G = 255 B = 0 W = 0
		125	Geel R = 255 G = 255 B = 0 W = 0
		126 ⇔ 162	- groen R = 255 G = 255–0 B = 0 W = 0
		163	Rood R = 255 G = 0 B = 0 W = 0
		164 ⇔ 200	+ blauw R = 255 G = 0 B = 0–255 W = 0
		201	Magenta R = 255 G = 0 B = 255 W = 0
		202 ⇔ 238	- rood R = 255–0 G = 0 B = 255 W = 0
239	Blauw R = 0 G = 0 B = 255 W = 0		
240 ⇔ 247	Kleurverandering, snel tot langzaam		
248 ⇔ 255	Kleursprong, snel tot langzaam		

Kanaal	Functie	Waarde	Percentage/Instelling				
10	Straalingskleur	000	Geen functie				
		001 ⇄ 002	2700K	R = 156	G = 118	B = 0	W = 63
		003 ⇄ 004	3200K	R = 156	G = 141	B = 5	W = 89
		005 ⇄ 006	4200K	R = 156	G = 141	B = 14	W = 255
		007 ⇄ 008	5600K	R = 156	G = 207	B = 54	W = 255
		009 ⇄ 010	8000K	R = 130	G = 255	B = 96	W = 255
		011	Blauw	R = 0	G = 0	B = 255	W = 0
		012 ⇄ 048	+ groen	R = 0	G = 0–255	B = 255	W = 0
		049	Cyaan	R = 0	G = 255	B = 255	W = 0
		050 ⇄ 086	- blauw	R = 0	G = 255	B = 255–0	W = 0
		087	Groen	R = 0	G = 255	B = 0	W = 0
		088 ⇄ 124	+ rood	R = 0–255	G = 255	B = 0	W = 0
		125	Geel	R = 255	G = 255	B = 0	W = 0
		126 ⇄ 162	- groen	R = 255	G = 255–0	B = 0	W = 0
		163	Rood	R = 255	G = 0	B = 0	W = 0
		164 ⇄ 200	+ blauw	R = 255	G = 0	B = 0–255	W = 0
		201	Magenta	R = 255	G = 0	B = 255	W = 0
		202 ⇄ 238	- rood	R = 255–0	G = 0	B = 255	W = 0
		239	Blauw	R = 0	G = 0	B = 255	W = 0
		240 ⇄ 247	Kleurverandering, snel tot langzaam				
248 ⇄ 255	Kleursprong, snel tot langzaam						
11	Gobo	000	Geen functie				
		001 ⇄ 255	Gobos (geïndexeerd)				
12	LED Macro / Automatisch programma	000 ⇄ 015	Geen functie				
		016 ⇄ 135	LED macro's				
		136 ⇄ 255	Automatische programma's				
13	LED Macro / Automatisch programmasnelheid	000 ⇄ 127	Snel tot langzaam				
		128	Bevriezen				
		129 ⇄ 255	Langzaam tot snel				
14	LED ingebouwde vertraging	000 ⇄ 255	Snel tot langzaam				
15	Achtergrondkleur	000	Geen functie				
		001 ⇄ 002	2700K	R = 156	G = 118	B = 0	W = 63
		003 ⇄ 004	3200K	R = 156	G = 141	B = 5	W = 89
		005 ⇄ 006	4200K	R = 156	G = 141	B = 14	W = 255
		007 ⇄ 008	5600K	R = 156	G = 207	B = 54	W = 255
		009 ⇄ 010	8000K	R = 130	G = 255	B = 96	W = 255
		011	Blauw	R = 0	G = 0	B = 255	W = 0
		012 ⇄ 048	+ groen	R = 0	G = 0–255	B = 255	W = 0
		049	Cyaan	R = 0	G = 255	B = 255	W = 0
		050 ⇄ 086	- blauw	R = 0	G = 255	B = 255–0	W = 0
		087	Groen	R = 0	G = 255	B = 0	W = 0
		088 ⇄ 124	+ rood	R = 0–255	G = 255	B = 0	W = 0
		125	Geel	R = 255	G = 255	B = 0	W = 0
		126 ⇄ 162	- groen	R = 255	G = 255–0	B = 0	W = 0
		163	Rood	R = 255	G = 0	B = 0	W = 0
		164 ⇄ 200	+ blauw	R = 255	G = 0	B = 0–255	W = 0
		201	Magenta	R = 255	G = 0	B = 255	W = 0
		202 ⇄ 238	- rood	R = 255–0	G = 0	B = 255	W = 0
		239	Blauw	R = 0	G = 0	B = 255	W = 0
		240 ⇄ 247	Kleurverandering, snel tot langzaam				
248 ⇄ 255	Kleursprong, snel tot langzaam						
16	Achtergronddimmer	000 ⇄ 255	0–100%				
17	Ringdimmer	000 ⇄ 255	0–100%				
18	Straalingsdimmer	000 ⇄ 255	0–100%				

Kanaal	Functie	Waarde	Percentage/Instelling
19	Ringsluiter	000 ⇔ 019	Uit
		020 ⇔ 024	Aan
		025 ⇔ 069	Stroboscoop, snel tot langzaam
		070 ⇔ 089	Stroboscoop 100–0%, snel tot langzaam
		090 ⇔ 109	Stroboscoop 0–100%, snel tot langzaam
		110 ⇔ 129	Willekeurigestroboscoop, snel tot langzaam
		130 ⇔ 149	Willekeurigestroboscoop 100–0%, snel tot langzaam
		150 ⇔ 169	Willekeurigestroboscoop 0–100%, snel tot langzaam
		170 ⇔ 189	Pulsstroboscoop, snel tot langzaam
		190 ⇔ 209	Willekeurigepulsstroboscoop, snel tot langzaam
		210 ⇔ 229	Stroboscoop 0–100–0%, snel tot langzaam
		230 ⇔ 244	Willekeurigepulsstroboscoop, snel tot langzaam
		245 ⇔ 255	Aan
20	Straalingsluiter	000 ⇔ 019	Uit
		020 ⇔ 024	Aan
		025 ⇔ 069	Stroboscoop, snel tot langzaam
		070 ⇔ 089	Stroboscoop 100–0%, snel tot langzaam
		090 ⇔ 109	Stroboscoop 0–100%, snel tot langzaam
		110 ⇔ 129	Willekeurigestroboscoop, snel tot langzaam
		130 ⇔ 149	Willekeurigestroboscoop 100–0%, snel tot langzaam
		150 ⇔ 169	Willekeurigestroboscoop 0–100%, snel tot langzaam
		170 ⇔ 189	Pulsstroboscoop, snel tot langzaam
		190 ⇔ 209	Willekeurigepulsstroboscoop, snel tot langzaam
210 ⇔ 229	Stroboscoop 0–100–0%, snel tot langzaam		
230 ⇔ 244	Willekeurigepulsstroboscoop, snel tot langzaam		
245 ⇔ 255	Aan		
21	Zoom	000 ⇔ 255	Breed tot nauw
22	Regeling	000 ⇔ 009	Geen functie
		010 ⇔ 014	Zwenk-/kantelverduistering
		015 ⇔ 019	Gereserveerd voor toekomstig gebruik
		020 ⇔ 024	RGBW-kleurenmengmodus (additief)
		025 ⇔ 029	CMY-kleurenmengmodus (subtractief)
		030 ⇔ 049	Gereserveerd voor toekomstig gebruik
		050 ⇔ 054	Zwenk-reset
		055 ⇔ 059	Kantel-reset
		060 ⇔ 064	Zoom-reset
		065 ⇔ 069	Gereserveerd voor toekomstig gebruik
		070 ⇔ 074	Alles-reset
		075 ⇔ 109	Gereserveerd voor toekomstig gebruik
		110 ⇔ 114	Zwenk-/kantelsnelheid snel
		115 ⇔ 119	Zwenk-/kantelsnelheid langzaam
		120 ⇔ 124	Ventilatormodus langzaam
		125 ⇔ 129	Ventilatormodus volledig
130 ⇔ 134	Ventilatormodus auto		
135 ⇔ 139	Dimmodus snel		
140 ⇔ 144	Dimmodus langzaam		
145 ⇔ 255	Gereserveerd voor toekomstig gebruik		
23	Ringrood	000 ⇔ 255	0–100%
24	Straalrood	000 ⇔ 255	0–100%
25	Ringgroen	000 ⇔ 255	0–100%
26	Straalgroen	000 ⇔ 255	0–100%
27	Ringblauw	000 ⇔ 255	0–100%
28	Straalblauw	000 ⇔ 255	0–100%
29	Ringwit	000 ⇔ 255	0–100%
30	Straalwit	000 ⇔ 255	0–100%

## “Dual Control”: “Basic Movement”-modus (13-kanaal)

Kanaal	Functie	Waarde	Percentage/Instelling
1	Zwenken	000 ⇄ 255	0–100%
2	Fijnezwenken	000 ⇄ 255	0–100%
3	Kantelen	000 ⇄ 255	0–100%
4	Fijnekantelen	000 ⇄ 255	0–100%
5	Continue zwenken	000	Geen functie
		001 ⇄ 127	Continue zwenken, snel tot langzaam
		128	Geen functie
		129 ⇄ 255	Omgekeerde continue zwenken, langzaam tot snel
6	Continue kantelen	000	Geen functie
		001 ⇄ 127	Continue kantelen, snel tot langzaam
		128	Geen functie
		129 ⇄ 255	Omgekeerde continue kantelen, langzaam tot snel
7	Zwenken/Kantelensnelheid	000 ⇄ 255	Snel tot langzaam
8	Ringdimmer	000 ⇄ 255	0–100%
9	Straalingsdimmer	000 ⇄ 255	0–100%
10	Ringsluiters	000 ⇄ 019	Uit
		020 ⇄ 024	Aan
		025 ⇄ 069	Stroboscoop, snel tot langzaam
		070 ⇄ 089	Stroboscoop 100–0%, snel tot langzaam
		090 ⇄ 109	Stroboscoop 0–100%, snel tot langzaam
		110 ⇄ 129	Willekeurigestroboscoop, snel tot langzaam
		130 ⇄ 149	Willekeurigestroboscoop 100–0%, snel tot langzaam
		150 ⇄ 169	Willekeurigestroboscoop 0–100%, snel tot langzaam
		170 ⇄ 189	Pulsstroboscoop, snel tot langzaam
		190 ⇄ 209	Willekeurigepulsstroboscoop, snel tot langzaam
		210 ⇄ 229	Stroboscoop 0–100–0%, snel tot langzaam
		230 ⇄ 244	Willekeurigepulsstroboscoop, snel tot langzaam
245 ⇄ 255	Aan		
11	Straalingsluiters	000 ⇄ 019	Uit
		020 ⇄ 024	Aan
		025 ⇄ 069	Stroboscoop, snel tot langzaam
		070 ⇄ 089	Stroboscoop 100–0%, snel tot langzaam
		090 ⇄ 109	Stroboscoop 0–100%, snel tot langzaam
		110 ⇄ 129	Willekeurigestroboscoop, snel tot langzaam
		130 ⇄ 149	Willekeurigestroboscoop 100–0%, snel tot langzaam
		150 ⇄ 169	Willekeurigestroboscoop 0–100%, snel tot langzaam
		170 ⇄ 189	Pulsstroboscoop, snel tot langzaam
		190 ⇄ 209	Willekeurigepulsstroboscoop, snel tot langzaam
		210 ⇄ 229	Stroboscoop 0–100–0%, snel tot langzaam
		230 ⇄ 244	Willekeurigepulsstroboscoop, snel tot langzaam
245 ⇄ 255	Aan		
12	Zoom	000 ⇄ 255	Breed tot nauw

Kanaal	Functie	Waarde	Percentage/Instelling
13	Regeling	000 ⇔ 009	Geen functie
		010 ⇔ 014	Zwenk-/kantelverduistering
		015 ⇔ 019	Gereserveerd voor toekomstig gebruik
		020 ⇔ 024	RGBW-kleurenmengmodus (additief)
		025 ⇔ 029	CMY-kleurenmengmodus (subtractief)
		030 ⇔ 049	Gereserveerd voor toekomstig gebruik
		050 ⇔ 054	Zwenk-reset
		055 ⇔ 059	Kantel-reset
		060 ⇔ 064	Zoom-reset
		065 ⇔ 069	Gereserveerd voor toekomstig gebruik
		070 ⇔ 074	Alles-reset
		075 ⇔ 109	Gereserveerd voor toekomstig gebruik
		110 ⇔ 114	Zwenk-/kantelsnelheid snel
		115 ⇔ 119	Zwenk-/kantelsnelheid langzaam
		120 ⇔ 124	Ventilatormodus langzaam
		125 ⇔ 129	Ventilatormodus volledig
		130 ⇔ 134	Ventilatormodus auto
		135 ⇔ 139	Dimmodus snel
140 ⇔ 144	Dimmodus langzaam		
145 ⇔ 255	Gereserveerd voor toekomstig gebruik		

**“Dual Control”-waarden (Pixels)****“Dual Control”:** “Advanced Pixels”-modus (80-kanaal)

Kanaal	Functie	Waarde	Percentage/Instelling
1	Rood 1	000 ⇄ 255	0–100%
2	Fijnerood 1	000 ⇄ 255	0–100%
3	Groen 1	000 ⇄ 255	0–100%
4	Fijnegroen 1	000 ⇄ 255	0–100%
5	Blauw 1	000 ⇄ 255	0–100%
6	Fijneblauw 1	000 ⇄ 255	0–100%
7	Wit	000 ⇄ 255	0–100%
8	Fijnewit 1	000 ⇄ 255	0–100%
9	Rood 2	000 ⇄ 255	0–100%
10	Fijnerood 2	000 ⇄ 255	0–100%
11	Groen 2	000 ⇄ 255	0–100%
12	Fijnegroen 2	000 ⇄ 255	0–100%
13	Blauw 2	000 ⇄ 255	0–100%
14	Fijneblauw 2	000 ⇄ 255	0–100%
15	Wit 2	000 ⇄ 255	0–100%
16	Fijnewit 2	000 ⇄ 255	0–100%
17	Rood 3	000 ⇄ 255	0–100%
18	Fijnerood 3	000 ⇄ 255	0–100%
19	Groen 3	000 ⇄ 255	0–100%
20	Fijnegroen 3	000 ⇄ 255	0–100%
21	Blauw 3	000 ⇄ 255	0–100%
22	Fijneblauw 3	000 ⇄ 255	0–100%
23	Wit 3	000 ⇄ 255	0–100%
24	Fijnewit 3	000 ⇄ 255	0–100%
25	Rood 4	000 ⇄ 255	0–100%
26	Fijnerood 4	000 ⇄ 255	0–100%
27	Groen 4	000 ⇄ 255	0–100%
28	Fijnegroen 4	000 ⇄ 255	0–100%
29	Blauw 4	000 ⇄ 255	0–100%
30	Fijneblauw 4	000 ⇄ 255	0–100%
31	Wit 4	000 ⇄ 255	0–100%
32	Fijnewit 4	000 ⇄ 255	0–100%
33	Rood 5	000 ⇄ 255	0–100%
34	Fijnerood 5	000 ⇄ 255	0–100%
35	Groen 5	000 ⇄ 255	0–100%
36	Fijnegroen 5	000 ⇄ 255	0–100%
37	Blauw 5	000 ⇄ 255	0–100%
38	Fijneblauw 5	000 ⇄ 255	0–100%
39	Wit 5	000 ⇄ 255	0–100%
40	Fijnewit 5	000 ⇄ 255	0–100%
41	Rood 6	000 ⇄ 255	0–100%
42	Fijnerood 6	000 ⇄ 255	0–100%
43	Groen 6	000 ⇄ 255	0–100%
44	Fijnegroen 6	000 ⇄ 255	0–100%
45	Blauw 6	000 ⇄ 255	0–100%
46	Fijneblauw 6	000 ⇄ 255	0–100%
47	Wit 6	000 ⇄ 255	0–100%
48	Fijnewit 6	000 ⇄ 255	0–100%
49	Rood 7	000 ⇄ 255	0–100%
50	Fijnerood 7	000 ⇄ 255	0–100%
51	Groen 7	000 ⇄ 255	0–100%
52	Fijnegroen 7	000 ⇄ 255	0–100%



Kanaal	Functie	Waarde	Percentage/Instelling
53	Blauw 7	000 ⇔ 255	0-100%
54	Fijneblauw 7	000 ⇔ 255	0-100%
55	Wit 7	000 ⇔ 255	0-100%
56	Fijnewit 7	000 ⇔ 255	0-100%
57	Rood 8	000 ⇔ 255	0-100%
58	Fijnerood 8	000 ⇔ 255	0-100%
59	Groen 8	000 ⇔ 255	0-100%
60	Fijnegroen 8	000 ⇔ 255	0-100%
61	Blauw 8	000 ⇔ 255	0-100%
62	Fijneblauw 8	000 ⇔ 255	0-100%
63	Wit 8	000 ⇔ 255	0-100%
64	Fijnewit 8	000 ⇔ 255	0-100%
65	Rood 9	000 ⇔ 255	0-100%
66	Fijnerood 9	000 ⇔ 255	0-100%
67	Groen 9	000 ⇔ 255	0-100%
68	Fijnegroen 9	000 ⇔ 255	0-100%
69	Blauw 9	000 ⇔ 255	0-100%
70	Fijneblauw 9	000 ⇔ 255	0-100%
71	Wit 9	000 ⇔ 255	0-100%
72	Fijnewit 9	000 ⇔ 255	0-100%
73	Rood 10	000 ⇔ 255	0-100%
74	Fijnerood 10	000 ⇔ 255	0-100%
75	Groen 10	000 ⇔ 255	0-100%
76	Fijnegroen 10	000 ⇔ 255	0-100%
77	Blauw 10	000 ⇔ 255	0-100%
78	Fijneblauw 10	000 ⇔ 255	0-100%
79	Wit 10	000 ⇔ 255	0-100%
80	Fijnewit 10	000 ⇔ 255	0-100%

## “Dual Control”: “Standard Pixels”-modus (40-kanaal)

Kanaal	Functie	Waarde	Percentage/Instelling
1	Rood 1	000 ⇄ 255	0–100%
2	Groen 1	000 ⇄ 255	0–100%
3	Blaauw 1	000 ⇄ 255	0–100%
4	Wit 1	000 ⇄ 255	0–100%
5	Rood 2	000 ⇄ 255	0–100%
6	Groen 2	000 ⇄ 255	0–100%
7	Blaauw 2	000 ⇄ 255	0–100%
8	Wit 2	000 ⇄ 255	0–100%
9	Rood 3	000 ⇄ 255	0–100%
10	Groen 3	000 ⇄ 255	0–100%
11	Blaauw 3	000 ⇄ 255	0–100%
12	Wit 3	000 ⇄ 255	0–100%
13	Rood 4	000 ⇄ 255	0–100%
14	Groen 4	000 ⇄ 255	0–100%
15	Blaauw 4	000 ⇄ 255	0–100%
16	Wit 4	000 ⇄ 255	0–100%
17	Rood 5	000 ⇄ 255	0–100%
18	Groen 5	000 ⇄ 255	0–100%
19	Blaauw 5	000 ⇄ 255	0–100%
20	Wit 5	000 ⇄ 255	0–100%
21	Rood 6	000 ⇄ 255	0–100%
22	Groen 6	000 ⇄ 255	0–100%
23	Blaauw 6	000 ⇄ 255	0–100%
24	Wit 6	000 ⇄ 255	0–100%
25	Rood 7	000 ⇄ 255	0–100%
26	Groen 7	000 ⇄ 255	0–100%
27	Blaauw 7	000 ⇄ 255	0–100%
28	Wit 7	000 ⇄ 255	0–100%
29	Rood 8	000 ⇄ 255	0–100%
30	Groen 8	000 ⇄ 255	0–100%
31	Blaauw 8	000 ⇄ 255	0–100%
32	Wit 8	000 ⇄ 255	0–100%
33	Rood 9	000 ⇄ 255	0–100%
34	Groen 9	000 ⇄ 255	0–100%
35	Blaauw 9	000 ⇄ 255	0–100%
36	Wit 9	000 ⇄ 255	0–100%
37	Rood 10	000 ⇄ 255	0–100%
38	Groen 10	000 ⇄ 255	0–100%
39	Blaauw 10	000 ⇄ 255	0–100%
40	Wit 10	000 ⇄ 255	0–100%

**“Dual Control”: “Basic Pixels”-modus (30-kanaal)**

Kanaal	Functie	Waarde	Percentage/Instelling
1	Rood 1	000 ⇔ 255	0–100%
2	Groen 1	000 ⇔ 255	0–100%
3	Blauw 1	000 ⇔ 255	0–100%
4	Rood 2	000 ⇔ 255	0–100%
5	Groen 2	000 ⇔ 255	0–100%
6	Blauw 2	000 ⇔ 255	0–100%
7	Rood 3	000 ⇔ 255	0–100%
8	Groen 3	000 ⇔ 255	0–100%
9	Blauw 3	000 ⇔ 255	0–100%
10	Rood 4	000 ⇔ 255	0–100%
11	Groen 4	000 ⇔ 255	0–100%
12	Blauw 4	000 ⇔ 255	0–100%
13	Rood 5	000 ⇔ 255	0–100%
14	Groen 5	000 ⇔ 255	0–100%
15	Blauw 5	000 ⇔ 255	0–100%
16	Rood 6	000 ⇔ 255	0–100%
17	Groen 6	000 ⇔ 255	0–100%
18	Blauw 6	000 ⇔ 255	0–100%
19	Rood 7	000 ⇔ 255	0–100%
20	Groen 7	000 ⇔ 255	0–100%
21	Blauw 7	000 ⇔ 255	0–100%
22	Rood 8	000 ⇔ 255	0–100%
23	Groen 8	000 ⇔ 255	0–100%
24	Blauw 8	000 ⇔ 255	0–100%
25	Rood 9	000 ⇔ 255	0–100%
26	Groen 9	000 ⇔ 255	0–100%
27	Blauw 9	000 ⇔ 255	0–100%
28	Rood 10	000 ⇔ 255	0–100%
29	Groen 10	000 ⇔ 255	0–100%
30	Blauw 10	000 ⇔ 255	0–100%

Contact Us

World Headquarters	
General Information	Technical Support
Address: 5200 NW 108th Ave. Sunrise, FL 33351 Voice: (954) 577-4455 Fax: (954) 929-5560 Toll Free: (800) 762-1084	Voice: (844) 393-7575 Fax: (954) 756-8015 Email: <a href="mailto:chauvetcs@chauvetlighting.com">chauvetcs@chauvetlighting.com</a>
	<b>Website</b> <a href="http://www.chauvetlighting.com">www.chauvetlighting.com</a>
EUROPE	
General Information	Technical Support
Address: Stokstraat 18 9770 Kruishoutem Belgium Voice: +32 9 388 93 97	Email: <a href="mailto:eutech@chauvetlighting.eu">eutech@chauvetlighting.eu</a>
	<b>Website</b> <a href="http://www.chauvetlighting.eu">www.chauvetlighting.eu</a>
General Information	Technical Support
Address: Unit 1C Brookhill Road Industrial Estate Pinxton, Nottingham, UK NG16 6NT Voice: +44 (0) 1773 511115 Fax: +44 (0) 1773 511110	Email: <a href="mailto:uktech@chauvetlighting.com">uktech@chauvetlighting.com</a>
	<b>Website</b> <a href="http://www.chauvetlighting.co.uk">www.chauvetlighting.co.uk</a>
MEXICO	
General Information	Technical Support
Address: Av. de las Partidas 34 - 3B (Entrance by Calle 2) Zona Industrial Lerma Lerma, Edo. de México, CP 52000 Voice: +52 (728) 690-2010	Email: <a href="mailto:servicio@chauvet.com.mx">servicio@chauvet.com.mx</a>
	<b>Website</b> <a href="http://www.chauvet.com.mx">www.chauvet.com.mx</a>

Outside the U.S., United Kingdom, Ireland, Mexico or Benelux, contact the dealer of record. Follow the instructions to request support or to return a product. Visit our website for contact details.

