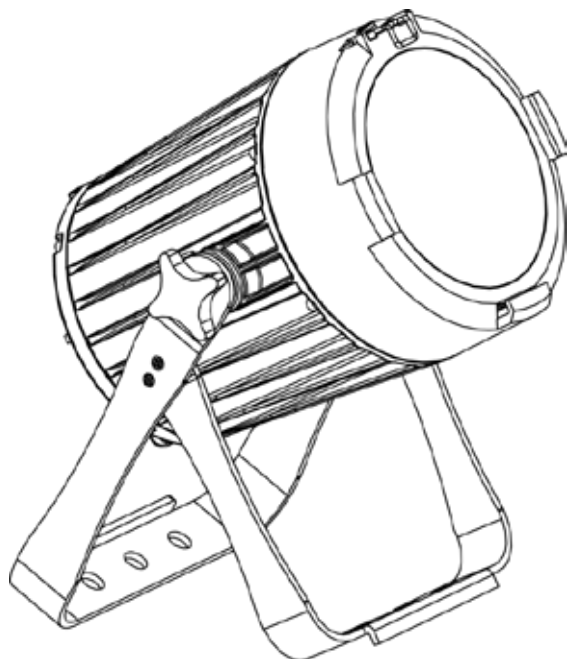


# COLORADO 1 SOLO

## Quick Reference Guide

English	EN
Español	ES
Français	FR
Nederlands	NL



  
**CHAUVET**  
PROFESSIONAL

**About This Guide** The COLORado 1 Solo Quick Reference Guide (QRG) has basic product information such as connection, mounting, menu options, and DMX values. Download the User Manual from [www.chauvetprofessional.com](http://www.chauvetprofessional.com) for more details.

**Disclaimer** The information and specifications contained in this QRG are subject to change without notice.

**LIMITED WARRANTY** FOR WARRANTY REGISTRATION AND COMPLETE TERMS AND CONDITIONS PLEASE VISIT OUR WEBSITE.

For Customers in the United States and Mexico:  
[www.chauvetlighting.com/warranty-registration](http://www.chauvetlighting.com/warranty-registration)

For Customers in the United Kingdom, Republic of Ireland, Belgium, the Netherlands, Luxembourg, France, and Germany:  
[www.chauvetlighting.eu/warranty-registration/](http://www.chauvetlighting.eu/warranty-registration/)

Chauvet warrants that this product shall be free from defects in material and workmanship under normal use, for the period specified in and subject to the exclusions and limitations set forth in, the full limited warranty on our website. This warranty extends only to the original purchaser of the product and is not transferable. To exercise rights under this warranty, you must provide proof of purchase in the form of an original sales receipt from an authorized dealer that shows the product name and date of purchase. THERE ARE NO OTHER EXPRESS OR IMPLIED WARRANTIES. This warranty gives you specific legal rights. You may also have other rights that vary from state to state and country to country. This warranty is valid only in the United States, United Kingdom, Republic of Ireland, Belgium, the Netherlands, Luxembourg, France, Germany and Mexico. For warranty terms in other countries, please consult your local distributor

- Safety Notes**
- DO NOT open this product. It contains no user-serviceable parts.
  - To eliminate unnecessary wear and improve its lifespan, during periods of non-use completely disconnect the product from power via breaker or by unplugging it.
  - DO NOT look at the light source when the product is on.
  - CAUTION: This product's housing may be hot when lights are operating.
  - Mount this product in a location with adequate ventilation, at least 20 in (50 cm) from adjacent surfaces.
  - DO NOT leave any flammable material within 50 cm of this product while operating or connected to power.
  - CAUTION: When transferring product from extreme temperature environments, (e.g. cold truck to warm humid ballroom) condensation may form on the internal electronics of the product. To avoid causing a failure, allow product to fully acclimate to the surrounding environment before connecting it to power.
  - Not for permanent outdoor installation in locations with extreme environmental conditions. This includes, but is not limited to:
    - Exposure to a marine/saline environment (within 3 miles of a saltwater body of water).
    - Where the normal high or low temperatures of the location exceed the temperature ranges in this manual.
    - Locations that are prone to flooding or being buried in snow.
    - Other areas where the product will be subject to extreme radiation or caustic substances.

- Safety Notes**
- USE a safety cable when mounting this product overhead.
  - DO NOT submerge this product (IP65). Regular outdoor operation is fine.
  - DO NOT operate this product if the housing, lenses, or cables appear damaged.
  - DO NOT connect this product to a dimmer or rheostat.
  - ONLY connect this product to a grounded and protected circuit.
  - ONLY use the hanging/mounting bracket or the handles to carry this product.
  - In the event of a serious operating problem, stop using immediately.
  - The maximum ambient temperature is 113 °F (45 °C). Do not operate this product at higher temperatures.

**Contact** Outside the U.S., United Kingdom, Ireland, Benelux, France, Germany, or Mexico, contact your distributor to request support or return a product. Visit [Contact Us](#) at the end of this QRG for contact information.

- What Is Included**
- COLORado 1 Solo
  - Quick Reference Guide
  - Seetronic Powerkon IP65 power cord

**AC Power** This product has an auto-ranging power supply that can work with an input voltage range of 100–240 VAC, 50/60 Hz.

**Power Linking** You can link up to 24 COLORado 1 Solo products at 120 V, 40 products at 208 V, or 45 products at 230 V. Never exceed this number. Power linking cords can be purchased separately.

**AC Plug**

Connection	Wire (U.S.)	Wire (Europe)	Screw Color
AC Live	Black	Brown	Yellow/Brass
AC Neutral	White	Blue	Silver
AC Ground	Green/Yellow	Green/Yellow	Green



- **To eliminate unnecessary wear and improve its lifespan, during periods of non-use completely disconnect the product from power via breaker or by unplugging it.**
- **When using this product in an outdoor IP65 type environment, be sure to use IP65 (or higher) rated power cables and secure unused ports with attached IP65 covers.**

**DMX Linking** The COLORado 1 Solo will work with a DMX controller using a 5-pin DMX serial connection. A DMX Primer is available from [www.chauvetprofessional.com](http://www.chauvetprofessional.com).

**DMX Connection** The COLORado 1 Solo uses a 3- or 5-pin DMX data connection for its DMX personalities: **HSIC**, **SSP**, **TOUR**, **TR16**, and **STD.Y**. See the User Manual for information about connecting and configuring the product for DMX operation.



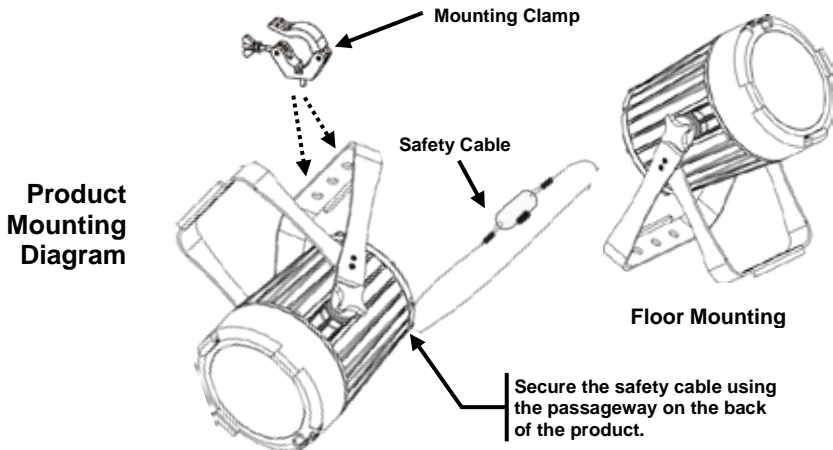
**When using this product in an outdoor IP65 type environment, be sure to use IP65 (or higher) rated data cables and secure unused ports with attached IP65 covers.**



**Note: For optimum control of the 16-bit dimming channels in the TR16 and STD.Y personalities, be sure that both dimming curves in SETTING > DIMMER are set to OFF.**

**Master/Slave Connection** The COLORado 1 Solo uses the DMX data connection for its Master/Slave mode. See the User Manual for information about connect and configure the product for master/slave operation.

**Mounting** Before mounting this product, read the [Safety Notes](#). Use at least one mounting point per product. Make sure the mounting clamps are capable of supporting the weight of the product. For our CHAUVET Professional line of mounting clamps, go to <http://trusst.com/products/>.



**Overhead Mounting**

**Control Panel Description**

Button	Function
<MENU>	Exits from the current menu or function
<ENTER>	Enables the currently displayed menu or sets the currently selected value into the selected function
<UP>	Navigates upwards through the menu list or increases the numeric value when in a function
<DOWN>	Navigates downwards through the menu list or decreases the numeric value when in a function

**Passcode** After being prompted, enter the following passcode by pressing:  
 <UP>, <DOWN>, <UP>, <DOWN>, <ENTER>  
 This passcode cannot be changed and must be used whenever prompted.

## Menu Map

Main Level	Programming Levels			Description	
STATIC	RED		000–255	Combines red, green, blue, and white to make a custom color (0–100%)	
	GREEN				
	BLUE				
	WHITE				
	ZOOM			Changes the beam angle (zoom)	
	STROBE			Selects the strobe frequency (0–25 Hz)	
ADDRESS	001–512			Selects the DMX starting address	
AUTO PROGRAM	AUTO1-10	Speed 000–255		10 automatic programs	
	PROGRAM1-10			10 customizable programs	
RUN MODE	DMX			DMX mode	
	SLAVE			Master/Slave mode	
ZOOM MODE	ZOOM MODE 1			Normal operation	
	ZOOM MODE 2			Recommended for use Below 40 °F	
PERSONALITY	HSIC			9-channel: H/S/CCT control, dimmer, strobe, zoom, zoom reset, dimmer speed	
	SSP			9-channel: R/G/B/W, dimmer, strobe, zoom, zoom reset, dimmer speed	
	TOUR			12-channel: R/G/B/W, dimmer, strobe, color macro, auto/custom, dimmer speed, auto speed, zoom, zoom reset	
	TR16			17-channel: 16-bit RGBW and dimmer; strobe, color macro, auto/custom, dimmer speed, auto speed, zoom, zoom reset	
	STD.Y			17-channel: 16-bit RGBW and dimmer; strobe, color macro, auto/custom, dimmer speed, auto speed, zoom, zoom reset	
EDIT	PROGRAM 01-10	SCENE 01-30	RED	000–255	Combines red, green, blue, and white to make a custom color (0-100%)
			GREEN		
			BLUE		
			WHITE		
			ZOOM		Changes the beam angle (zoom)
			STROBE		Selects the strobe frequency (0–25 Hz)
			TIME		Defines the step duration (slow to fast)
			FADE		Defines the fade duration (slow to fast)

Main Level	Programming Levels					Description	
SETTING	**** (Enter Passcode)	UPLOAD	**** (Enter Passcode)		SEND	Uploads custom programs to other COLORado 1 Solo products	
			RESET	**** (Enter Passcode)		Defaults product to factory settings	
		DIMMER	OFF		No dimmer		
			DIM4		Selects dimming profiles from fast (DIM1) to slow (DIM4) or OFF		
			DIM3				
			DIM2				
			DIM1				
		DMX ERROR	SAVE		Continues with last command upon loss of DMX control		
			BLACK		Blacks out fixture upon loss of DMX		
		PWM	600Hz		Selects the PWM output frequency		
			1200Hz				
			2000Hz				
			2400Hz				
			6000Hz				
			18000Hz				
			25000Hz				
		FULL POWER CCT	WARM WHITE		Sets the color temperature when all color faders are set to 100%		
			NEUTRAL WHITE				
			COOL WHITE#1				
			COOL WHITE#2				
NORMAL			Manual color temperature				
XY OFFSET	HIDE		Shows and hides XY settings in PWM menu option.				
	SHOW						
KEY	ON					Turns the passcode on or off	
	OFF						
CALIB.C	**** (Enter Passcode)	WHITE	WHITE 01-13	X FINE Y FINE	+/-200	Modifies the color macros used in the TOUR, TR16, HSIC, and STD.Y personality	
INFO	VERSION	V0.1				Shows installed software version	
	RDM	UID	0x21A40067____			Displays Current UID #	
		LABEL	COLORado 1 SoLo			Product Name	

**DMX Values**

<b>STD.Y</b>	<b>Channel</b>	<b>Function</b>	<b>Value</b>	<b>Percent/Setting</b>
	1	Dimmer	000ó 255	0–100%
	2	Dimmer Fine	000ó 255	Fine control (16-bit) ( <b>Step Duration</b> if <b>Custom 1–10</b> in <b>CH. 13</b> is active)
	3	Red	000ó 255	0–100% ( <b>Fade Duration</b> if <b>Custom 1–10</b> in <b>CH. 13</b> is active)
	4	Red Fine	000ó 255	Fine control (16-bit)
	5	Green	000ó 255	0–100%
	6	Green Fine	000ó 255	Fine control (16-bit)
	7	Blue	000ó 255	0–100%
	8	Blue Fine	000ó 255	Fine control (16-bit)
	9	White	000ó 255	0–100%
	10	White Fine	000ó 255	Fine control (16-bit)
	11	Color Macro	000ó 010 No function 011ó 030 R: 100% G: 0-100% B: 0 031ó 050 R: 100%-0 G: 100% B: 0 051ó 070 R: 0 G: 100% B: 0-100% 071ó 090 R: 0 G: 100%-0 B: 100% 091ó 110 R: 0-100% G: 0 B: 100% 111ó 130 R: 100% G: 0 B: 100%-0 131ó 150 R: 100% G: 0-100% B: 0-100% 151ó 170 R: 100%-0 G: 100%-0 B: 100% 171ó 195 R: 100% G: 100% B: 100% W: 100% 196ó 200 White 1 201ó 205 White 2 206ó 210 White 3 211ó 215 White 4 216ó 220 White 5 221ó 225 White 6 226ó 230 White 7 231ó 235 White 8 236ó 240 White 9 241ó 245 White 10 246ó 250 White 11 251ó 255 White 12	
	12	Strobe Effect	000ó 009 No function 010ó 099 0–25 Hz 100ó 109 No function 110ó 179 Lightning Strobe 180ó 189 No function 190ó 255 Random Strobe	

**STD.Y  
(Cont.)**

Channel	Function	Value	Percent/Setting
13	Programs	000 040	No function
		041 050	Auto 1
		051 060	Auto 2
		061 070	Auto 3
		071 080	Auto 4
		081 090	Auto 5
		091 100	Auto 6
		101 110	Auto 7
		111 120	Auto 8
		121 130	Auto 9
		131 140	Auto 10
		141 150	Custom 1
		151 160	Custom 2
		161 170	Custom 3
		171 180	Custom 4
		181 190	Custom 5
		191 200	Custom 6
201 210	Custom 7		
211 220	Custom 8		
221 230	Custom 9		
231 255	Custom 10		
14	Auto Speed	000 255	0–100% (Only when using Auto)
15	Zoom	000 255	0–100%
16	Zoom Control	000 200	No function
		201 220	Zoom reset
		221 255	No function
17	Dimmer Speed	000 009	Preset dimmer speed from display menu
		010 029	Linear dimmer
		030 069	Nonlinear dimming curve 1 (fastest)
		070 129	Nonlinear dimming curve 2
		130 189	Nonlinear dimming curve 3
190 255	Nonlinear dimming curve 4 (slowest)		



TR16	Channel	Function	Value	Percent/Setting
	1	Dimmer	000○255	0–100%
	2	Dimmer Fine	000○255	Fine control (16-bit) ( <b>Step Duration</b> if <b>Custom 1–10</b> in <b>CH. 13</b> is active)
	3	Red	000○255	0–100% ( <b>Fade Duration</b> if <b>Custom 1–10</b> in <b>CH. 13</b> is active)
	4	Red Fine	000○255	Fine control (16-bit)
	5	Green	000○255	0–100%
	6	Green Fine	000○255	Fine control (16-bit)
	7	Blue	000○255	0–100%
	8	Blue Fine	000○255	Fine control (16-bit)
	9	White	000○255	0–100%
	10	White Fine	000○255	Fine control (16-bit)
	11	Color Macro	000○010 No function 011○030 R: 100% G: 0-100% B: 0 031○050 R: 100%-0 G: 100% B: 0 051○070 R: 0 G: 100% B: 0-100% 071○090 R: 0 G: 100%-0 B: 100% 091○110 R: 0-100% G: 0 B: 100% 111○130 R: 100% G: 0 B: 100%-0 131○150 R: 100% G: 0-100% B: 0-100% 151○170 R: 100%-0 G: 100%-0 B: 100% 171○195 R: 100% G: 100% B: 100% W: 100% 196○200 White 1 201○205 White 2 206○210 White 3 211○215 White 4 216○220 White 5 221○225 White 6 226○230 White 7 231○235 White 8 236○240 White 9 241○245 White 10 246○250 White 11 251○255 White 12	
	12	Strobe Effect	000○009 No function 010○099 0–25 Hz 100○109 No function 110○179 Lightning Strobe 180○189 No function 190○255 Random Strobe	

**TR16  
(Cont.)**

Channel	Function	Value	Percent/Setting
13	Programs	000 040	No function
		041 050	Auto 1
		051 060	Auto 2
		061 070	Auto 3
		071 080	Auto 4
		081 090	Auto 5
		091 100	Auto 6
		101 110	Auto 7
		111 120	Auto 8
		121 130	Auto 9
		131 140	Auto 10
		141 150	Custom 1
		151 160	Custom 2
		161 170	Custom 3
		171 180	Custom 4
		181 190	Custom 5
191 200	Custom 6		
201 210	Custom 7		
211 220	Custom 8		
221 230	Custom 9		
231 255	Custom 10		
14	Auto Speed	000 255	0–100% (Only when using Auto)
15	Zoom	000 255	0–100%
16	Zoom Control	000 200	No function
		201 220	Zoom reset
		221 255	No function
17	Dimmer Speed	000 009	Preset dimmer speed from display menu
		010 029	Linear dimmer
		030 069	Nonlinear dimming curve 1 (fastest)
		070 129	Nonlinear dimming curve 2
		130 189	Nonlinear dimming curve 3
190 255	Nonlinear dimming curve 4 (slowest)		

TOUR	Channel	Function	Value	Percent/Setting
	1	Dimmer	000 ∘ 255	0–100%
	2	Red	000 ∘ 255	0–100% ( <b>Step Duration</b> if <b>Custom 1–10</b> in <b>CH. 8</b> is active)
	3	Green	000 ∘ 255	0–100% ( <b>Fade Duration</b> if <b>Custom 1–10</b> in <b>CH. 8</b> is active)
	4	Blue	000 ∘ 255	0–100%
	5	White	000 ∘ 255	0–100%
	6	Color Macro	000 ∘ 010	No function
			011 ∘ 030	R: 100% G: 0-100% B: 0
			031 ∘ 050	R: 100%-0 G: 100% B: 0
			051 ∘ 070	R: 0 G: 100% B: 0-100%
			071 ∘ 090	R: 0 G: 100%-0 B: 100%
			091 ∘ 110	R: 0-100% G: 0 B: 100%
			111 ∘ 130	R: 100% G: 0 B: 100%-0
			131 ∘ 150	R: 100% G: 0-100% B: 0-100%
			151 ∘ 170	R: 100%-0 G: 100%-0 B: 100%
			171 ∘ 195	R: 100% G: 100% B: 100% W: 100%
			196 ∘ 200	White 1
			201 ∘ 205	White 2
			206 ∘ 210	White 3
			211 ∘ 215	White 4
			216 ∘ 220	White 5
	221 ∘ 225	White 6		
	226 ∘ 230	White 7		
	231 ∘ 235	White 8		
	236 ∘ 240	White 9		
	241 ∘ 245	White 10		
	246 ∘ 250	White 11		
	251 ∘ 255	White 12		
	7	Strobe Effect	000 ∘ 009	No function
			010 ∘ 099	0–25 Hz
			100 ∘ 109	No function
			110 ∘ 179	Lightning Strobe
			180 ∘ 189	No function
			190 ∘ 255	Random Strobe

**TOUR  
(Cont.)**

Channel	Function	Value	Percent/Setting
<b>8</b>	<b>Programs</b>	000 ∘ 040	No function
		041 ∘ 050	Auto 1
		051 ∘ 060	Auto 2
		061 ∘ 070	Auto 3
		071 ∘ 080	Auto 4
		081 ∘ 090	Auto 5
		091 ∘ 100	Auto 6
		101 ∘ 110	Auto 7
		111 ∘ 120	Auto 8
		121 ∘ 130	Auto 9
		131 ∘ 140	Auto 10
		141 ∘ 150	Custom 1
		151 ∘ 160	Custom 2
		161 ∘ 170	Custom 3
		171 ∘ 180	Custom 4
		181 ∘ 190	Custom 5
191 ∘ 200	Custom 6		
201 ∘ 210	Custom 7		
211 ∘ 220	Custom 8		
221 ∘ 230	Custom 9		
231 ∘ 255	Custom 10		
<b>9</b>	<b>Auto Speed</b>	000 ∘ 255	0–100% (Only when using Auto)
<b>10</b>	<b>Zoom</b>	000 ∘ 255	0–100%
<b>11</b>	<b>Zoom Control</b>	000 ∘ 200	No function
		201 ∘ 220	Zoom reset
		221 ∘ 255	No function
<b>12</b>	<b>Dimmer Speed</b>	000 ∘ 009	Preset dimmer speed from display menu
		010 ∘ 029	Linear dimmer
		030 ∘ 069	Nonlinear dimming curve 1 (fastest)
		070 ∘ 129	Nonlinear dimming curve 2
		130 ∘ 189	Nonlinear dimming curve 3
190 ∘ 255	Nonlinear dimming curve 4 (slowest)		

<b>SSP</b>	<b>Channel</b>	<b>Function</b>	<b>Value</b>	<b>Percent/Setting</b>
	<b>1</b>	<b>Dimmer</b>	000 ∘ 255	0–100%
	<b>2</b>	<b>Red</b>	000 ∘ 255	0–100%
	<b>3</b>	<b>Green</b>	000 ∘ 255	0–100%
	<b>4</b>	<b>Blue</b>	000 ∘ 255	0–100%
	<b>5</b>	<b>White</b>	000 ∘ 255	0–100%
	<b>6</b>	<b>Strobe Effect</b>	000 ∘ 009	No function
			010 ∘ 099	0–25 Hz
			100 ∘ 109	No function
			110 ∘ 179	Lightning Strobe
			180 ∘ 189	No function
			190 ∘ 255	Random Strobe
	<b>7</b>	<b>Zoom</b>	000 ∘ 255	0–100%
	<b>8</b>	<b>Zoom Control</b>	000 ∘ 200	No function
			201 ∘ 220	Zoom reset
			221 ∘ 255	No function
	<b>9</b>	<b>Dimmer Speed</b>	000 ∘ 009	Preset dimmer speed from display menu
			010 ∘ 029	Linear dimmer
			030 ∘ 069	Nonlinear dimming curve 1 (fastest)
			070 ∘ 129	Nonlinear dimming curve 2
			130 ∘ 189	Nonlinear dimming curve 3
			190 ∘ 255	Nonlinear dimming curve 4 (slowest)

HSIC	Channel	Function	Value	Percent/Setting
	1	Dimmer	000ó 255	0–100%
	2	Hue	000ó 255	0–100%
	3	Hue Fine	000ó 255	0–100%
	4	Saturation	000ó 255	0–100%
	5	White Balance	000ó 010 No function 011ó 030 White 1 031ó 050 White 2 051ó 070 White 3 071ó 090 White 4 091ó 110 White 5 111ó 130 White 6 131ó 150 White 7 151ó 170 White 8 171ó 190 White 9 191ó 210 White 10 211ó 230 White 11 231ó 255 White 12	
	6	Strobe Effect	000ó 009 No function 010ó 099 0–25 Hz 100ó 109 No function 110ó 179 Lightning Strobe 180ó 189 No function 190ó 255 Random Strobe	
	7	Zoom	000ó 255	0–100%
	8	Zoom Control	000ó 200 No function 201ó 220 Zoom reset 221ó 255 No function	
	9	Dimmer Speed	000ó 009 Preset dimmer speed from display menu 010ó 029 Linear dimmer 030ó 069 Nonlinear dimming curve 1 (fastest) 070ó 129 Nonlinear dimming curve 2 130ó 189 Nonlinear dimming curve 3 190ó 255 Nonlinear dimming curve 4 (slowest)	

**Acerca de Esta Guía**

La Guía de Referencia Rápida (GRR) del COLORado 1 Solo contiene información básica sobre el producto, como montaje, opciones de menú y valores DMX. Descargue el Manual de Usuario de [www.chauvetprofessional.com](http://www.chauvetprofessional.com) para información más detallada.

**Exención de Responsabilidad**

La información y especificaciones contenidas en esta GRR están sujetas a cambio sin previo aviso.

**GARANTÍA LIMITADA**

**PARA VER EL REGISTRO DE GARANTÍA Y LOS TÉRMINOS Y CONDICIONES COMPLETOS, VISITE NUESTRO SITIO WEB.**

**Para clientes en los Estados Unidos y México:** [www.chauvetlighting.com/warranty-registration](http://www.chauvetlighting.com/warranty-registration)

**Para clientes en Reino Unido, República de Irlanda, Bélgica, Países Bajos, Luxemburgo, Francia y Alemania:** [www.chauvetlighting.eu/warranty-registration/](http://www.chauvetlighting.eu/warranty-registration/)

Chauvet garantiza que este producto estará libre de defectos de material y mano de obra en condiciones de uso normales, durante el periodo especificado, sujeto siempre a las exclusiones y limitaciones establecidas en la garantía limitada completa de nuestro sitio web. Esta garantía se concede únicamente al comprador original del producto y no es transferible. Para ejercer los derechos que otorga esta garantía, usted debe proporcionar una prueba de compra en forma de un recibo de compra original, expedido por un distribuidor autorizado, donde figure el nombre del producto y la fecha de compra. **NO EXISTEN OTRAS GARANTÍAS EXPRESAS NI IMPLÍCITAS.** Esta garantía le otorga derechos legales específicos. Es posible que a usted le asistan otros derechos, que variarán dependiendo del estado o del país. Esta garantía solamente es válida en los Estados Unidos, Reino Unido, República de Irlanda, Bélgica, Países Bajos, Luxemburgo, Francia, Alemania y México. Para conocer los términos de garantía en otros países, consulte a su distribuidor local.

**Notas de Seguridad**

- NO abra este producto. No contiene piezas reparables por el usuario.
- Para evitar un desgaste innecesario y alargar su vida útil, desconecte complemente el producto de la alimentación, mediante el interruptor o desenchufándolo, durante los periodos en los que no se use.
- NO mire a la fuente de luz cuando el producto esté encendido.
- CUIDADO: La carcasa de este producto está caliente cuando las luces están en funcionamiento.
- Monte este producto en una ubicación con ventilación adecuada, al menos a 20" (50 cm) de superficies adyacentes.
- NO deje ningún material inflamable a menos de 50 cm de este producto mientras esté funcionando o conectado a la alimentación.
- Cuidado: cuando transfiera el producto desde ambientes con temperatura extrema (p. ej., del remolque frío de un camión a una sala de baile con calor y humedad), puede formarse condensación en la electrónica interna del producto. Para evitar que se produzca una avería, deje que el producto se aclimate completamente al ambiente antes de conectar la alimentación.

**Notas de Seguridad**

- No apto para la instalación permanente en exteriores en lugares con condiciones ambientales extremas. Estas incluyen, sin limitarse a ellas:
  - Exposición a un ambiente marino/salino (a menos de 4,8 km de una masa de agua salada).
  - Cuando las temperaturas máxima o mínima habituales del lugar superan los rangos de temperatura en este manual.
  - Lugares proclives a inundaciones o a ser sepultados por la nieve.
  - Otras zonas en las que el producto esté expuesto a radiación extrema o sustancias cáusticas.
- USE un cable de seguridad cuando monte este producto en lo alto.
- NO sumerja este producto (IP65). La operación normal en exteriores es correcta.
- NO ponga en funcionamiento este producto si sospecha que la carcasa, lentes o cables están dañados.
- NO conecte este producto a un atenuador o reostato.
- Conecte este producto SOLO a un circuito con toma de tierra y protegido.
- Use SOLAMENTE los soportes de colgar/montar para mover este producto.
- En caso de un problema grave de funcionamiento, deje de usarlo inmediatamente.
- La máxima temperatura ambiente es de 113 °F (45 °C). No haga funcionar este producto a temperaturas más altas.

**Contacto** Fuera de EE. UU., Reino Unido, Irlanda, Benelux, Francia, Alemania o México, póngase en contacto con su distribuidor para solicitar asistencia o devolver el producto. Visite [Contact Us](#) para información de contacto.

**Qué va Incluido**

- COLORado 1 Solo
- Seetronic Powerkon IP65 cable de alimentación
- Guía de Referencia Rápida

**Corriente Alterna**

Este producto tiene una fuente de alimentación con detección automática que puede funcionar con un rango de tensión de entrada de 100 a 240 VCA, 50/60 Hz.

**Alimentación en Cadena**

Puede enlazar hasta 24 productos COLORado 1 Solo a 120 V, 40 a 208 V, o 45 a 230 V. Nunca sobrepase este número. Los cables de alimentación en cadena se pueden adquirir por separado.

**Enchufe CA**

Conexión	Cable (EE.UU.)	Cable (Europa)	Color del tornillo
CA Cargado	Negro	Marrón	Amarillo/Latón
CA Neutro	Blanco	Azul	Plata
CA Tierra	Verde/Amarillo	Verde/Amarillo	Verde



- **Para evitar un desgaste innecesario y alargar su vida útil, desconecte completamente el producto de la alimentación, mediante el interruptor o desenchufándolo, durante los periodos en los que no se use.**
- **Cuando utilice este producto en exteriores, use cables de datos y alimentación con protección IP65 (o superior). Asegúrese de proteger los puertos de datos y alimentación que no se usen colocando tapas IP65.**



**Enlace DMX** El COLORado 1 Solo funcionará con un controlador DMX usando una conexión serie DMX normal. Hay un manual DMX disponible en [www.chauvetprofessional.com](http://www.chauvetprofessional.com).

**Conexión DMX** El COLORado 1 Solo usa una conexión de datos DMX normal para sus personalidades **HSIC, SSP, TOUR, TR16, y STD.Y**. Vea el Manual de Usuario para conectar y configurar para funcionamiento DMX.



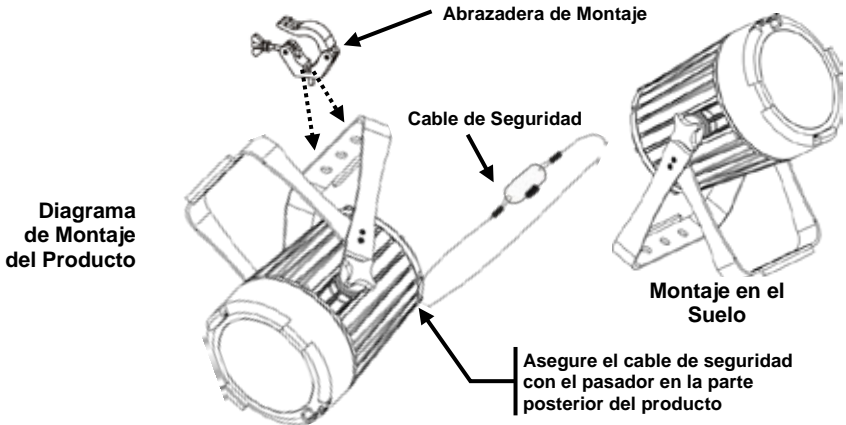
**Quando utilice este producto en exteriores con ambiente tipo IP65, asegúrese de usar cables de datos con protección IP65 (o superior) y de proteger los puertos que no se usen colocando tapas IP65.**



**Nota: Para un control óptimo de los canales de atenuación de 16 bits en la personalidades TR16 y STD.Y asegúrese de que ambas curvas de atenuación en SETTING > DIMMER están configuradas en OFF.**

**Conexión Maestro/Esclavo** El COLORado 1 Solo usa la conexión de datos DMX para su modo Maestro/Esclavo. Vea el Manual de Usuario para conectar y configurar para funcionamiento Maestro/Esclavo.

**Montaje** Antes de montar este producto, lea las [Notas de seguridad](#). Asegúrese de que las abrazaderas de montaje son capaces de soportar el peso del producto. Para nuestra línea Chauvet de abrazaderas de montaje, visite <http://trusst.com/products/>.



**Montaje en Altura**

**Descripción del Panel de Control**

Botón	Función
<MENU>	Sale del menú o función actual
<ENTER>	Habilita el menú actualmente en pantalla o configura el valor seleccionado actualmente dentro de la función seleccionada
<UP>	Navega hacia arriba por la lista de menú o aumenta el valor numérico cuando está en una función
<DOWN>	Navega hacia abajo por la lista de menú o disminuye el valor numérico cuando está en una función

**Código de acceso** Después de que se le solicite, introduzca el siguiente código de acceso pulsando:  
 . <UP>, <DOWN>, <UP>, <DOWN>, <ENTER>  
 Este código no se puede cambiar y se debe usar cuando se le solicite.

## Opciones de Menú

Nivel Principal	Niveles de Programación			Descripción
STATIC	RED	000–255		Combina rojo, verde, azul y blanco para formar un color personalizado (0–100%)
	GREEN			
	BLUE			
	WHITE			
	ZOOM			Cambia el ángulo del haz (zoom)
	STROBE			Selecciona la frecuencia de estroboscopio (0–25 Hz)
ADDRESS	001–512			Selecciona la dirección DMX de inicio
AUTO PROGRAM	AUTO1-10	Speed	000–255	10 programas automáticos
	PROGRAM1-10			10 programas personalizables
RUN MODE	DMX			Modo DMX
	SLAVE			Modo Maestro/Esclavo
ZOOM MODE	ZOOM MODE 1			Operación normal
	ZOOM MODE 2			Se recomienda su uso debajo de 40 ° F
PERSONALITY	HSIC			9 canales: Control H/S/CCT, atenuador, estroboscopio, zoom, reinicio del zoom, velocidad atenuador
	SSP			9 canales: R/V/A/B, atenuador, estroboscopio, zoom, reinicio del zoom, velocidad atenuador
	TOUR			12 canales: RVAB, atenuador, estroboscopio, macro de color, auto/personalizado, velocidad atenuador, velocidad automática, zoom, reinicio del zoom
	TR16			17 canales: 16-bit RVAB y atenuador, estroboscopio, macro de color, auto/personalizado, velocidad atenuador, velocidad automática zoom, reinicio del zoom
	STD.Y			17 canales: 16-bit RVAB y atenuador, estroboscopio, macro de color, auto/personalizado, velocidad atenuador, velocidad automática zoom, reinicio del zoom

Nivel Principal	Niveles de Programación				Descripción
EDIT	PROGRAM 01-10	SCENE 01- 30	RED	000- 255	Combina rojo, verde, azul y blanco para generar un color personalizado (0-100%)
			GREEN		
			BLUE		
			WHITE		
			ZOOM		Selecciona el ángulo del haz (zoom)
			STROBE		Selecciona la frecuencia de estroboscopio (0-25 Hz)
			TIME		Define la duración del paso (lento a rápido)
FADE	Define la duración del fado (lento a rápido)				
SETTING	**** (Introducir código de acceso)	UPLOAD	**** (Introducir código de acceso)	SEND	Carga programas personalizados a otros productos COLORado 1 Solo
		RESET	**** (Introducir código de acceso)		Restablece en el producto los valores de fábrica
		DIMMER	OFF		Sin atenuador
			DIM4		perfil de atenuador
			DIM3		
			DIM2		
		DIM1			
		DMX ERROR	SAVE		Continúa con el último comando tras la pérdida de control DMX
			BLACK		Apaga (blackout) el dispositivo tras la pérdida de señal DMX
		PWM	600Hz		Selecciona la frecuencia de emisión PWM
			1200Hz		
			2000Hz		
			2400Hz		
			6000Hz		
			18000Hz		
		25000Hz			
FULL POWER CCT	WARM WHITE		Establece la temperatura del color cuando todos los deslizadores están situados al 100%		
	NEUTRAL WHITE				
	COOL WHITE#1				
	COOL WHITE#2		Temperatura de color manual		
NORMAL					
XY OFFSET	HIDE		Muestra y oculta la configuración XY en la opción de menú PWM		
	SHOW				

Nivel Principal	Niveles de Programación				Descripción	
KEY	ON				Activa o desactiva la contraseña	
	OFF					
CALIB.C	**** (Introducir código de acceso)	WHITE	WHITE 01-13	X FINE  YFINE	+/- 200	Modifica los macros de color usados en las personalidades <b>TOUR</b> , <b>HSIC</b> , <b>TR16</b> y <b>STD.Y</b>
INFO	VERSION	V0.1			Muestra la versión de software instalada	
	RDM	UID	0x21A40067		Muestra actual UID #	
		LABEL	COLORado 1 SoLo			Nombre de producto

### Valores DMX

SSP	Canal	Función	Valor	Porcentaje/Configuración
	1	Atenuador	000 ó 255	0–100%
	2	Rojo	000 ó 255	0–100%
	3	Verde	000 ó 255	0–100%
	4	Azul	000 ó 255	0–100%
	5	Blanco	000 ó 255	0–100%
	6	Estroboscopio	000 ó 009	Sin función
			010 ó 099	0–25 Hz
			100 ó 109	Sin función
			110 ó 179	Efecto de iluminación
			180 ó 189	Sin función
			190 ó 255	Aleatorio
	7	Zoom	000 ó 255	0–100%
	8	Reinicio del Zoom	000 ó 200	Sin función
			201 ó 220	Reinicio del Zoom
			221 ó 255	Sin función
	9	Velocidad Atenuador	000 ó 009	Preconfigura la velocidad del atenuador desde la pantalla de menú
			010 ó 029	Atenuador lineal
			030 ó 069	Curva de atenuación no-lineal 1 (la más rápida)
			070 ó 129	Curva de atenuación no-lineal 2
			130 ó 189	Curva de atenuación no-lineal 3
			190 ó 255	Curva de atenuación no-lineal 4 (la más lenta)

STD.Y	Canal	Función	Valor	Porcentaje/Configuración
	1	Atenuador	000 ó 255	0–100%
	2	Atenuador fino	000 ó 255	Nítido control (16-bit) ( <b>Duración del Paso si Personalizado 1–10</b> está activo en <b>Canal 13</b> )
	3	Rojo	000 ó 255	0–100% ( <b>Duración del Fade si Personalizado 1–10</b> está activo en <b>Canal 13</b> )
	4	Rojo nítido	000 ó 255	Nítido control (16-bit)
	5	Verde	000 ó 255	0–100%
	6	Verde nítido	000 ó 255	Nítido control (16-bit)
	7	Azul	000 ó 255	0–100%
	8	Azul nítido	000 ó 255	Nítido control (16-bit)
	9	Blanco	000 ó 255	0–100%
	10	Blanco nítido	000 ó 255	Nítido control (16-bit)
	11	Macro de Color + Equilibrio de Blancos	000 ó 010 Sin función 011 ó 030 R: 100% V: 0–100% A: 0 031 ó 050 R: 100%–0 V: 100% A: 0 051 ó 070 R: 0 V: 100% A: 0–100% 071 ó 090 R: 0 V: 100%–0 A: 100% 091 ó 110 R: 0–100% V: 0 A: 100% 111 ó 130 R: 100% V: 0 A: 100%–0 131 ó 150 R: 100% V: 0–100% A: 0–100% 151 ó 170 R: 100%–0 V: 100%–0 A: 100% 171 ó 195 RVAB: 100% 196 ó 200 Blanco 1 201 ó 205 Blanco 2 206 ó 210 Blanco 3 211 ó 215 Blanco 4 216 ó 220 Blanco 5 221 ó 225 Blanco 6 226 ó 230 Blanco 7 231 ó 235 Blanco 8 236 ó 240 Blanco 9 241 ó 245 Blanco 10 246 ó 250 Blanco 11 251 ó 255 Blanco 12	
	12	Estroboscopio	000 ó 009 Sin función 010 ó 099 0–25 Hz 100 ó 109 Sin función 110 ó 179 Efecto de iluminación 180 ó 189 Sin función 190 ó 255 Aleatorio	

**STD.Y  
(Cont.)**

Canal	Función	Valor	Porcentaje/Configuración
13	Programas	000 ó 040	Sin función
		041 ó 049	Auto 1
		050 ó 059	Auto 2
		060 ó 069	Auto 3
		070 ó 079	Auto 4
		080 ó 089	Auto 5
		090 ó 099	Auto 6
		100 ó 109	Auto 7
		110 ó 119	Auto 8
		120 ó 129	Auto 9
		130 ó 139	Auto 10
		140 ó 149	Personalizado 1
		150 ó 159	Personalizado 2
		160 ó 169	Personalizado 3
		170 ó 179	Personalizado 4
		180 ó 189	Personalizado 5
		190 ó 199	Personalizado 6
200 ó 209	Personalizado 7		
210 ó 219	Personalizado 8		
220 ó 229	Personalizado 9		
230 ó 255	Personalizado 10		
14	Velocidad Automática	000 ó 255	0-100% (solo cuando se usa <b>Auto 1-10</b> en <b>Canal 13</b> )
15	Zoom	000 ó 255	0-100%
16	Reinicio del Zoom	000 ó 200	Sin función
		201 ó 220	Reinicio del zoom
		221 ó 255	Sin función
17	Velocidad Atenuador	000 ó 009	Preconfigura la velocidad del atenuador desde la pantalla de menú
		010 ó 029	Atenuador lineal
		030 ó 069	Curva de atenuación no-lineal 1 (la más rápida)
		070 ó 129	Curva de atenuación no-lineal 2
		130 ó 189	Curva de atenuación no-lineal 3
190 ó 255	Curva de atenuación no-lineal 4 (la más lenta)		

TR16	Canal	Función	Valor	Porcentaje/Configuración
	1	Atenuador	000 ó 255	0–100%
	2	Atenuador fino	000 ó 255	Nítido control (16-bit) ( <b>Duración del Paso si Personalizado 1–10</b> está activo en <b>Canal 13</b> )
	3	Rojo	000 ó 255	0–100% ( <b>Duración del Fade si Personalizado 1–10</b> está activo en <b>Canal 13</b> )
	4	Rojo nítido	000 ó 255	Nítido control (16-bit)
	5	Verde	000 ó 255	0–100%
	6	Verde nítido	000 ó 255	Nítido control (16-bit)
	7	Azul	000 ó 255	0–100%
	8	Azul nítido	000 ó 255	Nítido control (16-bit)
	9	Blanco	000 ó 255	0–100%
	10	Blanco nítido	000 ó 255	Nítido control (16-bit)
	11	Macro de Color + Equilibrio de Blancos	000 ó 010 011 ó 030 031 ó 050 051 ó 070 071 ó 090 091 ó 110 111 ó 130 131 ó 150 151 ó 170 171 ó 195 196 ó 200 201 ó 205 206 ó 210 211 ó 215 216 ó 220 221 ó 225 226 ó 230 231 ó 235 236 ó 240 241 ó 245 246 ó 250 251 ó 255	in función R: 100% V: 0–100% A: 0 R: 100%–0 V: 100% A: 0 R: 0 V: 100% A: 0–100% R: 0 V: 100%–0 A: 100% R: 0–100% V: 0 A: 100% R: 100% V: 0 A: 100%–0 R: 100% V: 0–100% A: 0–100% R: 100%–0 V: 100%–0 A: 100% RVAB: 100% Blanco 1 Blanco 2 Blanco 3 Blanco 4 Blanco 5 Blanco 6 Blanco 7 Blanco 8 Blanco 9 Blanco 10 Blanco 11 Blanco 12
	12	Estroboscopio	000 ó 009 010 ó 099 100 ó 109 110 ó 179 180 ó 189 190 ó 255	Sin función 0–25 Hz Sin función Efecto de iluminación Sin función Aleatorio

**TR16  
(Cont.)**

Canal	Función	Valor	Porcentaje/Configuración
13	Programas	000 ó 040	Sin función
		041 ó 049	Auto 1
		050 ó 059	Auto 2
		060 ó 069	Auto 3
		070 ó 079	Auto 4
		080 ó 089	Auto 5
		090 ó 099	Auto 6
		100 ó 109	Auto 7
		110 ó 119	Auto 8
		120 ó 129	Auto 9
		130 ó 139	Auto 10
		140 ó 149	Personalizado 1
		150 ó 159	Personalizado 2
		160 ó 169	Personalizado 3
		170 ó 179	Personalizado 4
		180 ó 189	Personalizado 5
		190 ó 199	Personalizado 6
		200 ó 209	Personalizado 7
		210 ó 219	Personalizado 8
		220 ó 229	Personalizado 9
230 ó 255	Personalizado 10		
14	Velocidad Automática	000 ó 255	0-100% (solo cuando se usa <b>Auto 1-10</b> en <b>Canal 13</b> )
15	Zoom	000 ó 255	0-100%
16	Reinicio del Zoom	000 ó 200	Sin función
		201 ó 220	Reinicio del zoom
		221 ó 255	Sin función
17	Velocidad Atenuador	000 ó 009	Preconfigura la velocidad del atenuador desde la pantalla de menú
		010 ó 029	Atenuador lineal
		030 ó 069	Curva de atenuación no-lineal 1 (la más rápida)
		070 ó 129	Curva de atenuación no-lineal 2
		130 ó 189	Curva de atenuación no-lineal 3
190 ó 255	Curva de atenuación no-lineal 4 (la más lenta)		



TOUR	Canal	Función	Valor	Porcentaje/Configuración
	1	Atenuador	000 ó 255	0–100%
	2	Rojo	000 ó 255	Nítido control (16-bit) ( <b>Duración del Paso si Personalizado 1–10 está activo en Canal 8</b> )
	3	Verde	000 ó 255	0–100% ( <b>Duración del Fade si Personalizado 1–10 está activo en Canal 8</b> )
	4	Azul	000 ó 255	0–100%
	5	Blanco	000 ó 255	0–100%
	6	Macro de Color + Equilibrio de Blancos	000 ó 010 in función 011 ó 030 R: 100% V: 0–100% A: 0 031 ó 050 R: 100%–0 V: 100% A: 0 051 ó 070 R: 0 V: 100% A: 0–100% 071 ó 090 R: 0 V: 100%–0 A: 100% 091 ó 110 R: 0–100% V: 0 A: 100% 111 ó 130 R: 100% V: 0 A: 100%–0 131 ó 150 R: 100% V: 0–100% A: 0–100% 151 ó 170 R: 100%–0 V: 100%–0 A: 100% 171 ó 195 RVAB: 100% 196 ó 200 Blanco 1 201 ó 205 Blanco 2 206 ó 210 Blanco 3 211 ó 215 Blanco 4 216 ó 220 Blanco 5 221 ó 225 Blanco 6 226 ó 230 Blanco 7 231 ó 235 Blanco 8 236 ó 240 Blanco 9 241 ó 245 Blanco 10 246 ó 250 Blanco 11 251 ó 255 Blanco 12	
	7	Estroboscopio	000 ó 009 Sin función 010 ó 099 0–25 Hz 100 ó 109 Sin función 110 ó 179 Efecto de iluminación 180 ó 189 Sin función 190 ó 255 Aleatorio	

**TOUR  
(Cont.)**

Canal	Función	Valor	Porcentaje/Configuración
<b>8</b>	<b>Programas</b>	000 ó 040	Sin función
		041 ó 049	Auto 1
		050 ó 059	Auto 2
		060 ó 069	Auto 3
		070 ó 079	Auto 4
		080 ó 089	Auto 5
		090 ó 099	Auto 6
		100 ó 109	Auto 7
		110 ó 119	Auto 8
		120 ó 129	Auto 9
		130 ó 139	Auto 10
		140 ó 149	Personalizado 1
		150 ó 159	Personalizado 2
		160 ó 169	Personalizado 3
		170 ó 179	Personalizado 4
		180 ó 189	Personalizado 5
190 ó 199	Personalizado 6		
200 ó 209	Personalizado 7		
210 ó 219	Personalizado 8		
220 ó 229	Personalizado 9		
230 ó 255	Personalizado 10		
<b>9</b>	<b>Velocidad Automática</b>	000 ó 255	0–100% (solo cuando se usa <b>Auto 1–10</b> en <b>Canal 8</b> )
<b>10</b>	<b>Zoom</b>	000 ó 255	0–100%
<b>11</b>	<b>Reinicio del Zoom</b>	000 ó 200	Sin función
		201 ó 220	Reinicio del Zoom
		221 ó 255	Sin función
<b>12</b>	<b>Velocidad Atenuador</b>	000 ó 009	Preconfigura la velocidad del atenuador desde la pantalla de menú
		010 ó 029	Atenuador lineal
		030 ó 069	Curva de atenuación no-lineal 1 (la más rápida)
		070 ó 129	Curva de atenuación no-lineal 2
		130 ó 189	Curva de atenuación no-lineal 3
190 ó 255	Curva de atenuación no-lineal 4 (la más lenta)		

<b>HSIC</b>	<b>Canal</b>	<b>Función</b>	<b>Valor</b>	<b>Porcentaje/Configuración</b>
	<b>1</b>	<b>Atenuador</b>	000 ó 255	0–100%
	<b>2</b>	<b>Tono</b>	000 ó 255	0–100%
	<b>3</b>	<b>Tono Fino</b>	000 ó 255	Nítido control (16-bit)
	<b>4</b>	<b>Saturación</b>	000 ó 255	0–100%
	<b>5</b>	<b>Equilibrio de Blancos</b>	000 ó 010 011 ó 030 031 ó 050 051 ó 070 071 ó 090 091 ó 110 111 ó 130 131 ó 150 151 ó 170 171 ó 190 191 ó 210 211 ó 230 231 ó 255	Sin función Blanco 1 Blanco 2 Blanco 3 Blanco 4 Blanco 5 Blanco 6 Blanco 7 Blanco 8 Blanco 9 Blanco 10 Blanco 11 Blanco 12
	<b>6</b>	<b>Estroboscopio</b>	000 ó 009 010 ó 099 100 ó 109 110 ó 179 180 ó 189 190 ó 255	Sin función 0–25 Hz Sin función Efecto de iluminación Sin función Aleatorio
	<b>7</b>	<b>Zoom</b>	000 ó 255	0–100%
	<b>8</b>	<b>Reinicio del Zoom</b>	000 ó 200 201 ó 220 221 ó 255	Sin función Reinicio del Zoom Sin función
	<b>9</b>	<b>Velocidad Atenuador</b>	000 ó 009 010 ó 029 030 ó 069 070 ó 129 130 ó 189 190 ó 255	Preconfigura la velocidad del atenuador desde la pantalla de menú Atenuador lineal Curva de atenuación no-lineal 1 (la más rápida) Curva de atenuación no-lineal 2 Curva de atenuación no-lineal 3 Curva de atenuación no-lineal 4 (la más lenta)

**À Propos de ce Manuel** Le Manuel de Référence du COLORado 1 Solo (MR) reprend des informations de base sur cet appareil notamment en matière de connexions, montage, options de menu et valeurs DMX. Télécharger le Manuel d'Utilisation sur [www.chauvetprofessional.com](http://www.chauvetprofessional.com) pour de plus amples informations.

**Clause de Non-Responsabilité** Les informations et caractéristiques contenues dans ce manuel sont sujettes à changement sans préavis.

**GARANTIE LIMITÉE** VEUILLEZ VISITER NOTRE SITE INTERNET POUR CONSULTER LES MODALITÉS D'ENREGISTREMENT DE LA GARANTIE ET LES CONDITIONS GÉNÉRALES COMPLÈTES.

Pour les clients aux États-Unis et au Mexique: [www.chauvetlighting.com/warranty-registration](http://www.chauvetlighting.com/warranty-registration)

Pour les clients du Royaume-Uni, de la République d'Irlande, de la Belgique, des Pays-Bas, du Luxembourg, de la France et de l'Allemagne: [www.chauvetlighting.eu/warranty-registration/](http://www.chauvetlighting.eu/warranty-registration/)

Chauvet garantit que cet appareil est exempt de défauts de matériaux et de fabrication dans des conditions normales d'utilisation, pendant la période spécifiée dans la garantie limitée complète consultable sur notre site Internet et sous réserve des exclusions et limitations qui y sont énoncées. Cette garantie ne s'applique qu'à l'acheteur initial du produit et n'est pas transférable. Pour exercer les droits prévus par cette garantie, vous devez fournir une preuve d'achat sous la forme d'un reçu de vente original d'un revendeur autorisé qui indique le nom du produit et la date d'achat. IL N'EXISTE AUCUNE AUTRE GARANTIE EXPRESSE OU IMPLICITE. Cette garantie vous confère des droits légaux spécifiques. Vous pouvez également bénéficier d'autres droits qui varient selon les états et les pays. Cette garantie n'est valable qu'aux États-Unis, au Royaume-Uni, en République d'Irlande, en Belgique, aux Pays-Bas, au Luxembourg, en France, en Allemagne et au Mexique. Pour connaître les conditions de garantie dans d'autres pays, veuillez consulter votre revendeur local.

- Consignes de Sécurité**
- N'ouvrez PAS cet appareil. Il ne contient aucun composant susceptible d'être réparé par l'utilisateur.
  - Durant les périodes de non-utilisation, pour éviter toute usure inutile et pour prolonger la durée de vie, déconnectez-entièrement l'appareil en le débranchant de l'alimentation électrique ou en coupant le disjoncteur.
  - Ne regardez PAS la source lumineuse lorsque l'appareil fonctionne.
  - ATTENTION: le boîtier de cet appareil est brûlant lors du fonctionnement.
  - Montez toujours cet appareil dans un endroit bien ventilé, à au moins, 20 pouces (50 cm) des surfaces adjacentes.
  - Ne laissez AUCUNE source inflammable dans un rayon de 50 cm de l'appareil lorsque celui-ci fonctionne.
  - Attention : Lorsque l'appareil est transféré d'un environnement à température extrême à un autre (par exemple d'un camion froid vers une salle de bal chaude et humide), de la condensation peut se former sur les composants électriques internes. Pour éviter de causer des dommages, laissez l'appareil s'acclimater entièrement au milieu environnant avant de le mettre sous tension..

## Consignes de Sécurité

- Ne convient pas aux installations permanentes en extérieur sur des sites sujets à des conditions environnementales extrêmes. Cela inclut par exemple :
  - L'exposition à un environnement marin ou à une solution saline (à moins de 4,8 kilomètres d'un corps d'eau salée).
  - Lorsque les températures moyennes hautes ou basses du site dépassent les plages de températures indiquées dans ce manuel.
  - Les sites qui sont sujets aux inondations ou qui présentent un risque d'être ensevelis sous la neige.
  - Tout autre endroit où le produit risque d'être soumis à des rayonnements extrêmes ou à des substances caustiques.
- Utilisez TOUJOURS un câble de sécurité lorsque vous montez cet appareil en hauteur.
- N'immergez PAS ce produit (IP 65). Un usage normal en extérieur est autorisé.
- N'utilisez PAS cet appareil si le boîtier, les lentilles ou les câbles vous semblent endommagés.
- Ne connectez PAS cet appareil ni à un gradateur ni à un rhéostat.
- Connectez UNIQUEMENT cet appareil à un circuit protégé et relié à la terre.
- Transportez/Suspendez cet appareil UNIQUEMENT par le support de montage dont il est doté.
- En cas de sérieux problèmes de fonctionnement, arrêtez le système immédiatement.
- La température ambiante maximale supportée par cet appareil est de 113 °F (45 °C). Ne le faites pas fonctionner à des températures plus élevées.

**Contact** En dehors des États-Unis, du Royaume-Uni, de l'Irlande, du Benelux, de la France, de l'Allemagne, ou du Mexique, contactez votre fournisseur si vous avez besoin d'assistance ou de retourner votre appareil. Consultez le site [Contact Us](#) pour trouver nos coordonnées.

## Ce Qui est Inclus

- COLORado 1 Solo
- Seetronic Powerkon IP65 cordon d'alimentation
- Manuel de Référence

## Alimentation CA

Cet appareil est doté d'une alimentation universelle prenant en charge toute tension d'entrée comprise entre 100 et 240 VCA, 50/60 Hz.

## Connexion Électrique

Vous pouvez connecter entre eux jusqu'à 24 COLORado 1 Solo à 120 V, 40 unités à 208 V, ou 45 unités à 230 V. Ne dépassez jamais cette limite. Vous pouvez vous procurer séparément des cordons d'alimentation.

### Prise CA

Connexion	Câble (États-Unis)	Câble (Europe)	Couleur de la vis
Conducteur CA	Noir	Marron	Jaune/Cuivré
Neutre CA	Blanc	Bleu	Argenté
Terre CA	Vert/Jaune	Vert/Jaune	Vert



- **Durant les périodes de non-utilisation, pour éviter tout usure inutile et pour prolonger la durée de vie, déconnectez-entièrement l'appareil en le débranchant de l'alimentation électrique ou en coupant le disjoncteur.**
- **Lors de l'utilisation de cet appareil en environnement extérieur, utilisez des câbles de d'alimentation et de données certifiés IP65 au minimum. Assurez-vous de protéger les ports d'alimentation et de données non utilisés avec les couvercles IP 65 fournis.**

**Raccordement DMX** Le COLORado 1 Solo fonctionnera avec un jeu d'orgues DMX au moyen de connexions DMX en série standard. Une introduction au DMX est à votre disposition sur [www.chauvetprofessional.com](http://www.chauvetprofessional.com).

**Connexion DMX** Le COLORado 1 Solo utilise une connexion de données DMX standard pour ses personnalités DMX: **HSIC, SSP, TOUR, TR16, et STD.Y**. Consultez le Manuel d'Utilisation pour connecter et configurer le système DMX.



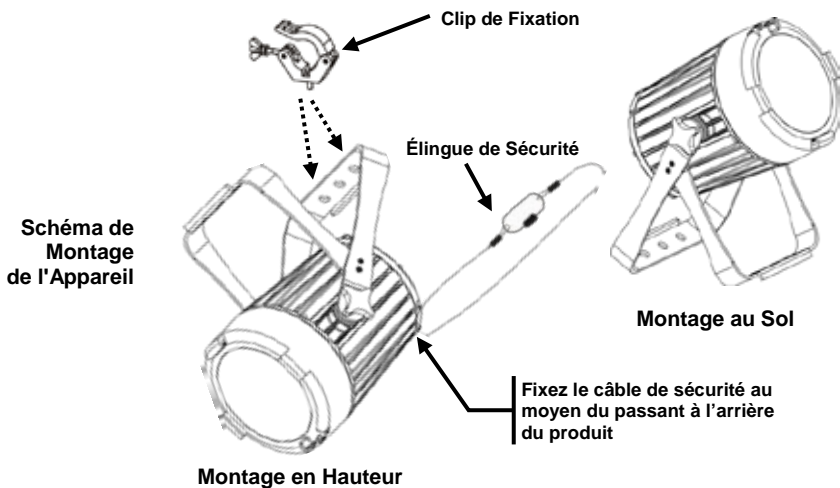
Lors de l'utilisation de cet appareil dans un environnement extérieur de type IP65, assurez-vous d'utiliser des câbles certifiés IP65 (ou mieux) et de protéger les ports non utilisés avec les couvercles IP65 inclus.



Remarque : Pour une commande optimale des canaux de gradation 16 bits dans les personnalités STD.Y et TR16, veillez à ce que les deux courbes de gradation dans **SETTING > DIMMER** soient sur **OFF**.

**Connexion Maître/Esclave** Le COLORado 1 Solo utilise une connexion de données DMX pour son mode Maître/Esclave. Consultez le Manuel d'Utilisation pour connecter et configurer le mode de fonctionnement Maître/Esclave.

**Installation** Avant de monter cet appareil, lisez et assimilez les [Consignes de Sécurité](#). Veillez à ce que les fixations sont capables de supporter le poids de l'unité. Découvrez notre gamme de fixations Chauvet sur [trusst.com/productcategory/base-plates-accessories-clamps/](http://trusst.com/productcategory/base-plates-accessories-clamps/).



**Description du Tableau de Commandes**

Bouton	Fonction
<MENU>	Permet la sortie du menu ou de la fonction en cours
<ENTER>	Permet l'affichage du menu en cours ou permet de configurer la valeur en cours dans la fonction sélectionnée
<UP>	Permet de parcourir les listes ou les menus vers le haut, dans une fonction permet d'augmenter les valeurs numériques
<DOWN>	Permet de parcourir les listes ou les menus vers le bas, dans une fonction permet de diminuer les valeurs numériques

**Code d'accès** Une fois affiché, saisissez le code d'accès suivant comme suit:  
 . <UP>, <DOWN>, <UP>, <DOWN>, <ENTER>  
 Ce code ne peut pas être modifié et doit être saisi sur demande.

## Options du Menu

Niveau Principal	Niveaux de Programmation		Description		
STATIC	RED		000-255	Combine les couleurs rouge, vert, bleu et blanc pour un résultat personnalisé (0-100%)	
	GREEN				
	BLUE			Change l'angle du faisceau (zoom)	
	WHITE			Sélectionne la fréquence du stroboscope (0-25 Hz)	
	ZOOM				
	STROBE				
ADDRESS	001-512		Sélectionne l'adresse DMX de départ		
AUTO PROGRAM	AUTO1-10	Speed 000-255	10 programmes automatiques		
	PROGRAM1-10		10 programmes - personnaliser		
RUN MODE	DMX		Mode DMX		
	SLAVE		Mode maître/esclave		
ZOOM MODE	ZOOM MODE 1		Fonctionnement normal		
	ZOOM MODE 2		Recommandé pour une utilisation inférieure à 40 ° F		
PERSONALITY	HSIC		9 canaux: H/S/CCT, gradateur, stroboscope, vitesse gradateur, zoom, réinit. du zoom		
	SSP		9 canaux: RVBb, gradateur, stroboscope, vitesse gradateur, zoom, réinit. du zoom		
	TOUR		12 canaux: RVBb, gradateur, stroboscope, macro de couleurs, effet d'anneau, vitesse gradateur, vitesse auto, zoom, réinit. du zoom		
	TR16		17 canaux: RVBb 16 bit, gradateur, stroboscope, macro de couleurs, effet d'anneau, vitesse gradateur, vitesse auto, zoom, réinit. du zoom		
	STD.Y		17 canaux: RVBb 16 bit, gradateur, stroboscope, macro de couleurs, effet d'anneau, vitesse gradateur, vitesse auto, zoom, réinit. du zoom		
EDIT	PROGRAM 01-10	SCENE 01-30	RED	000-255	Combine les couleurs rouge, vert, bleu et blanc pour un résultat personnalisé (0-100%)
			GREEN		
			BLUE		Change l'angle du faisceau (zoom)
			WHITE		Sélectionne la fréquence du stroboscope (0-25 Hz)
			ZOOM		Définit la durée de pas (lent à rapide)
			STROBE		Définit la durée du fondu (lent à rapide)
			TIME		
			FADE		

Niveau Principal	Niveaux de Programmation			Description	
<b>SETTING</b>	**** (Saisir le code d'accès)	<b>UPLOAD</b>	**** (Saisir le code d'accès)	<b>SEND</b>	Télécharge les programmes personnalisés sur d'autres COLORado 1 Solo
		<b>RESET</b>	**** (Saisir le code d'accès)		Retour aux réglages d'usine par défaut
		<b>DIMMER</b>	<b>OFF</b>		Pas de gradateur
			<b>DIM4</b>		Profil de gradation
			<b>DIM3</b>		
			<b>DIM2</b>		
			<b>DIM1</b>		
		<b>DMX ERROR</b>	<b>SAVE</b>		En cas de perte de commande DMX, la dernière commande se maintiendra
			<b>BLACK</b>		Met l'unité en noir général en cas de perte de signal DMX
		<b>PWM</b>	<b>600Hz</b>		Permet de sélectionner la fréquence de sortie MLI,
			<b>1200Hz</b>		
			<b>2000Hz</b>		
			<b>2400Hz</b>		
			<b>6000Hz</b>		
			<b>18000Hz</b>		
			<b>25000Hz</b>		
		<b>FULL POWER CCT</b>	<b>WARM WHITE</b>		Définit la température de couleur lorsque tous les potentiomètres de couleur sont réglés sur 100%.
			<b>NEUTRAL WHITE</b>		
			<b>COOL WHITE#1</b>		
			<b>COOL WHITE#2</b>		Réglage manuel de température de couleur
		<b>XY OFFSET</b>	<b>HIDE</b>		Affiche et masque les paramètres XY dans l'option de menu PWM
<b>SHOW</b>					



Niveau Principal	Niveaux de Programmation					Description
KEY	ON					Active ou désactive le mot de passe
	OFF					
CALIB.C	**** (Saisir le code d'accès)	WHITE	WHITE 01-13	X FINE	+/-200	Modifie les couleurs des macros utilisées dans les personnalités <b>TOUR</b> , <b>HSIC</b> , <b>TR16</b> , et <b>STD.Y</b>
				Y FINE		
INFO	VERSION	V0.1				Affiche la version du logiciel installée.
	RDM	UID	0x21A40067 ____			Affiche UID actuel #
		LABEL	COLORado 1 SoLo			Nom produit

Valeurs DMX

STD.Y	Canal	Fonction	Valeur	Pourcentage/Configuration
	1	Gradateur	000ó 255	0–100%
	2	Gradateur fin	000ó 255	0–100%
	3	Rouge	000ó 255	0–100% ( <b>Durée de Pas</b> si <b>Personnalisé 1–10</b> est activé dans <b>Canal 13</b> )
	4	Rouge fin	000ó 255	0–100% ( <b>Durée du Fond</b> si <b>Personnalisé 1–10</b> est activé dans <b>Canal 13</b> )
	5	Vert	000ó 255	0–100%
	6	Vert fin	000ó 255	0–100%
	7	Bleu	000ó 255	0–100%
	8	Bleu fin	000ó 255	0–100%
	9	Blanc	000ó 255	0–100%
	10	Blanc fin	000ó 255	0–100%
	11	Macros de Couleurs + Balance des Blancs	000ó 010 Pas de fonction 011ó 030 R: 100% V: 0–100% B: 0 031ó 050 R: 100%–0 V: 100% B: 0 051ó 070 R: 0 V: 100% B: 0–100% 071ó 090 R: 0 V: 100%–0 B: 100% 091ó 110 R: 0–100% V: 0 B: 100% 111ó 130 R: 100% V: 0 B: 100%–0 131ó 150 R: 100% V: 0–100% B: 0–100% 151ó 170 R: 100%–0 V: 100%–0 B: 100% 171ó 195 RVBb: 100% 196ó 200 Blanc 1 201ó 205 Blanc 2 206ó 210 Blanc 3 211ó 215 Blanc 4 216ó 220 Blanc 5 221ó 225 Blanc 6 226ó 230 Blanc 7 231ó 235 Blanc 8 236ó 240 Blanc 9 241ó 245 Blanc 10 246ó 250 Blanc 11 251ó 255 Blanc 12	
	12	Stroboscope	000ó 009 Pas de fonction 010ó 099 0–25 Hz 100ó 109 Pas de fonction 110ó 179 Effet d'éclairage 180ó 189 Pas de fonction 190ó 255 Aléatoire	

STD.Y (Suite)	Canal	Fonction	Valeur	Pourcentage/Configuration
13		Programmes	000ó 040	Pas de fonction
			041ó 049	Auto 1
			050ó 059	Auto 2
			060ó 069	Auto 3
			070ó 079	Auto 4
			080ó 089	Auto 5
			090ó 099	Auto 6
			100ó 109	Auto 7
			110ó 119	Auto 8
			120ó 129	Auto 9
			130ó 139	Auto 10
			140ó 149	Personnalisé 1
			150ó 159	Personnalisé 2
			160ó 169	Personnalisé 3
			170ó 179	Personnalisé 4
			180ó 189	Personnalisé 5
			190ó 199	Personnalisé 6
200ó 209	Personnalisé 7			
210ó 219	Personnalisé 8			
220ó 229	Personnalisé 9			
230ó 255	Personnalisé 10			
14		Vitesse Auto	000ó 255	0–100% (seulement en utilisation avec <b>Auto 1–10</b> dans <b>Canal 13</b> )
15		Zoom	000ó 255	0–100%
16		Réinitialisation du Zoom	000ó 200	Pas de fonction
			201ó 220	Réinitialisation du zoom
			221ó 255	Pas de fonction
17		Vitesse du Gradateur	000ó 009	Vitesse du gradateur prédéfinie depuis le menu Gradateur linéaire
			010ó 029	Courbe de gradation non linéaire 1 (la plus rapide)
			030ó 069	Courbe de gradation non linéaire 2
			070ó 129	Courbe de gradation non linéaire 3
			130ó 189	Courbe de gradation non linéaire 4 (la moins rapide)
190ó 255				

TR16	Canal	Fonction	Valeur	Pourcentage/Configuration	
	1	Gradateur	000ó 255	0–100%	
	2	Gradateur fin	000ó 255	0–100%	
	3	Rouge	000ó 255	0–100% ( <b>Durée de Pas</b> si <b>Personnalisé 1–10</b> est activé dans <b>Canal 13</b> )	
	4	Rouge fin	000ó 255	0–100% ( <b>Durée du Fond</b> si <b>Personnalisé 1–10</b> est activé dans <b>Canal 13</b> )	
	5	Vert	000ó 255	0–100%	
	6	Vert fin	000ó 255	0–100%	
	7	Bleu	000ó 255	0–100%	
	8	Bleu fin	000ó 255	0–100%	
	9	Blanc	000ó 255	0–100%	
	10	Blanc fin	000ó 255	0–100%	
	11	<b>Macros de Couleurs + Balance des Blancs</b>	000ó 010	Pas de fonction	
	011ó 030		R: 100%	V: 0–100%	B: 0
	031ó 050		R: 100%–0	V: 100%	B: 0
	051ó 070		R: 0	V: 100%	B: 0–100%
	071ó 090		R: 0	V: 100%–0	B: 100%
	091ó 110		R: 0–100%	V: 0	B: 100%
	111ó 130		R: 100%	V: 0	B: 100%–0
	131ó 150		R: 100%	V: 0–100%	B: 0–100%
	151ó 170		R: 100%–0	V: 100%–0	B: 100%
	171ó 195		RVBb: 100%		
	196ó 200		Blanc 1		
	201ó 205		Blanc 2		
	206ó 210		Blanc 3		
	211ó 215		Blanc 4		
	216ó 220		Blanc 5		
	221ó 225		Blanc 6		
	226ó 230		Blanc 7		
	231ó 235	Blanc 8			
	236ó 240	Blanc 9			
	241ó 245	Blanc 10			
	246ó 250	Blanc 11			
	251ó 255	Blanc 12			
	12	<b>Stroboscope</b>	000ó 009	Pas de fonction	
	010ó 099		0–25 Hz		
	100ó 109		Pas de fonction		
	110ó 179		Effet d'éclairage		
	180ó 189		Pas de fonction		
	190ó 255		Aléatoire		

<b>TR16 (Suite)</b>	<b>Canal</b>	<b>Fonction</b>	<b>Valeur</b>	<b>Pourcentage/Configuration</b>
	<b>13</b>	<b>Programmes</b>	000ó 040	Pas de fonction
			041ó 049	Auto 1
			050ó 059	Auto 2
			060ó 069	Auto 3
			070ó 079	Auto 4
			080ó 089	Auto 5
			090ó 099	Auto 6
			100ó 109	Auto 7
			110ó 119	Auto 8
			120ó 129	Auto 9
			130ó 139	Auto 10
			140ó 149	Personnalisé 1
			150ó 159	Personnalisé 2
			160ó 169	Personnalisé 3
			170ó 179	Personnalisé 4
	180ó 189	Personnalisé 5		
	190ó 199	Personnalisé 6		
	200ó 209	Personnalisé 7		
	210ó 219	Personnalisé 8		
	220ó 229	Personnalisé 9		
	230ó 255	Personnalisé 10		
	<b>14</b>	<b>Vitesse Auto</b>	000ó 255	0–100% (seulement en utilisation avec <b>Auto 1–10</b> dans <b>Canal 13</b> )
	<b>15</b>	<b>Zoom</b>	000ó 255	0–100%
	<b>16</b>	<b>Réinitialisation du Zoom</b>	000ó 200	Pas de fonction
			201ó 220	Réinitialisation du zoom
			221ó 255	Pas de fonction
	<b>17</b>	<b>Vitesse du Gradateur</b>	000ó 009	Vitesse du gradateur prédéfinie depuis le menu Gradateur linéaire
			010ó 029	Courbe de gradation non linéaire 1 (la plus rapide)
			030ó 069	Courbe de gradation non linéaire 2
			070ó 129	Courbe de gradation non linéaire 3
			130ó 189	Courbe de gradation non linéaire 4 (la moins rapide)
	190ó 255			

<b>TOUR</b>	<b>Canal</b>	<b>Fonction</b>	<b>Valeur</b>	<b>Pourcentage/Configuration</b>
	<b>1</b>	<b>Gradateur</b>	000ó 255	0–100%
	<b>2</b>	<b>Rouge</b>	000ó 255	0–100% ( <b>Durée de Pas</b> si <b>Personnalisé 1–10</b> est activé dans <b>Canal 8</b> )
	<b>3</b>	<b>Vert</b>	000ó 255	0–100% ( <b>Durée du Fond</b> si <b>Personnalisé 1–10</b> est activé dans <b>Canal 8</b> )
	<b>4</b>	<b>Bleu</b>	000ó 255	0–100%
	<b>5</b>	<b>Blanc</b>	000ó 255	0–100%
	<b>6</b>	<b>Macros de Couleurs + Balance des Blancs</b>	000ó 010 Pas de fonction 011ó 030 R: 100% V: 0–100% B: 0 031ó 050 R: 100%–0 V: 100% B: 0 051ó 070 R: 0 V: 100% B: 0–100% 071ó 090 R: 0 V: 100%–0 B: 100% 091ó 110 R: 0–100% V: 0 B: 100% 111ó 130 R: 100% V: 0 B: 100%–0 131ó 150 R: 100% V: 0–100% B: 0–100% 151ó 170 R: 100%–0 V: 100%–0 B: 100% 171ó 195 RVBb: 100% 196ó 200 Blanc 1 201ó 205 Blanc 2 206ó 210 Blanc 3 211ó 215 Blanc 4 216ó 220 Blanc 5 221ó 225 Blanc 6 226ó 230 Blanc 7 231ó 235 Blanc 8 236ó 240 Blanc 9 241ó 245 Blanc 10 246ó 250 Blanc 11 251ó 255 Blanc 12	
	<b>7</b>	<b>Stroboscope</b>	000ó 009 Pas de fonction 010ó 099 0–25 Hz 100ó 109 Pas de fonction 110ó 179 Effet d'éclairage 180ó 189 Pas de fonction 190ó 255 Aléatoire	

<b>TOUR (Suite)</b>	<b>Canal</b>	<b>Fonction</b>	<b>Valeur</b>	<b>Pourcentage/Configuration</b>
<b>8</b>		<b>Programmes</b>	000 040	Pas de fonction
			041 050	Auto 1
			051 060	Auto 2
			061 070	Auto 3
			071 080	Auto 4
			081 090	Auto 5
			091 100	Auto 6
			101 110	Auto 7
			111 120	Auto 8
			121 130	Auto 9
			131 140	Auto 10
			141 150	Personnalisé 1
			151 160	Personnalisé 2
			161 170	Personnalisé 3
			171 180	Personnalisé 4
			181 190	Personnalisé 5
			191 200	Personnalisé 6
			201 210	Personnalisé 7
			211 220	Personnalisé 8
			221 230	Personnalisé 9
231 255	Personnalisé 10			
<b>9</b>		<b>Vitesse Auto</b>	000 0255	0–100% (seulement en utilisation avec <b>Auto 1–10</b> dans <b>Canal 8</b> )
<b>10</b>		<b>Zoom</b>	000 0255	0–100%
<b>11</b>		<b>Réinitialisation du Zoom</b>	000 0200	Pas de fonction
			201 0220	Réinitialisation du zoom
			221 0255	Pas de fonction
<b>12</b>		<b>Vitesse du Gradateur</b>	000 0009	Vitesse du gradateur prédéfinie depuis le menu
			010 0029	Gradateur linéaire
			030 0069	Courbe de gradation non linéaire 1 (le plus rapide)
			070 0129	Courbe de gradation non linéaire 2
			130 0189	Courbe de gradation non linéaire 3
			190 0255	Courbe de gradation non linéaire 4 (le moins rapide)

<b>SSP</b>	<b>Canal</b>	<b>Fonction</b>	<b>Valeur</b>	<b>Pourcentage/Configuration</b>
	<b>1</b>	<b>Gradateur</b>	000ó 255	0–100%
	<b>2</b>	<b>Rouge</b>	000ó 255	0–100%
	<b>3</b>	<b>Vert</b>	000ó 255	0–100%
	<b>4</b>	<b>Bleu</b>	000ó 255	0–100%
	<b>5</b>	<b>Blanc</b>	000ó 255	0–100%
	<b>6</b>	<b>Stroboscope</b>	000ó 009 010ó 099 100ó 109 110ó 179 180ó 189 190ó 255	Pas de fonction 0–25 Hz Pas de fonction Effet d'éclairage Pas de fonction Aléatoire
	<b>7</b>	<b>Zoom</b>	000ó 255	0–100%
	<b>8</b>	<b>Réinitialisation du Zoom</b>	000ó 200 201ó 220 221ó 255	Pas de fonction Réinitialisation du zoom Pas de fonction
	<b>9</b>	<b>Vitesse du Gradateur</b>	000ó 009 010ó 029 030ó 069 070ó 129 130ó 189 190ó 255	Vitesse du gradateur prédéfinie depuis le menu Gradateur linéaire Courbe de gradation non linéaire 1 (la plus rapide) Courbe de gradation non linéaire 2 Courbe de gradation non linéaire 3 Courbe de gradation non linéaire 4 (la moins rapide)



<b>HSIC</b>	<b>Canal</b>	<b>Fonction</b>	<b>Valeur</b>	<b>Pourcentage/Configuration</b>
	<b>1</b>	<b>Gradateur</b>	000ó 255	0–100%
	<b>2</b>	<b>Teintes</b>	000ó 255	0–100%
	<b>3</b>	<b>Teintes Fin</b>	000ó 255	Contrôle précis (16-bit)
	<b>4</b>	<b>Saturation</b>	000ó 255	0–100%
	<b>5</b>	<b>Balance des Blancs</b>	000ó 010 011ó 030 031ó 050 051ó 070 071ó 090 091ó 110 111ó 130 131ó 150 151ó 170 171ó 190 191ó 210 211ó 230 231ó 255	Pas de fonction Blanc 1 Blanc 2 Blanc 3 Blanc 4 Blanc 5 Blanc 6 Blanc 7 Blanc 8 Blanc 9 Blanc 10 Blanc 11 Blanc 12
	<b>6</b>	<b>Stroboscope</b>	000ó 009 010ó 099 100ó 109 110ó 179 180ó 189 190ó 255	Pas de fonction 0–25 Hz Pas de fonction Effet d'éclairage Pas de fonction Aléatoire
	<b>7</b>	<b>Zoom</b>	000ó 255	0–100%
	<b>8</b>	<b>Réinitialisation du Zoom</b>	000ó 200 201ó 220 221ó 255	Pas de fonction Réinitialisation du zoom Pas de fonction
	<b>9</b>	<b>Vitesse du Gradateur</b>	000ó 009 010ó 029 030ó 069 070ó 129 130ó 189 190ó 255	se du gradateur prédéfinie depuis le menu Gradateur linéaire Courbe de gradation non linéaire 1 (la plus rapide) Courbe de gradation non linéaire 2 Courbe de gradation non linéaire 3 Courbe de gradation non linéaire 4 (la moins rapide)

**Over deze handleiding** De COLORado 1 Solo Beknopte Handleiding (BH) bevat basisinformatie over het product, zoals aansluiting, montage, menu-opties en DMX-waarden. Download de gebruikershandleiding op [www.chauvetprofessional.com](http://www.chauvetprofessional.com) voor meer informatie.

**Disclaimer** De informatie en specificaties in deze BH kunnen zonder voorafgaande kennisgeving worden gewijzigd.

**BEPERKTE GARANTIE GA NAAR ONZE WEBSITE VOOR REGISTRATIE VAN DE GARANTIE EN DE VOLLEDIGE ALGEMENE VOORWAARDEN.**

Voor klanten in de Verenigde Staten en Mexico: [www.chauvetlighting.com/warranty-registration](http://www.chauvetlighting.com/warranty-registration)

Voor klanten in het Verenigd Koninkrijk, Ierland, België, Nederland, Luxemburg, Frankrijk en Duitsland: [www.chauvetlighting.eu/warranty-registration/](http://www.chauvetlighting.eu/warranty-registration/)

Chauvet garandeert dat dit product bij normaal gebruik vrij zal blijven van defecten in materiaal en vakmanschap, voor de opgegeven periode en onder voorbehoud van de uitzonderingen en beperkingen die zijn uiteengezet in de volledige beperkte garantie op onze website. Deze garantie geldt uitsluitend voor de oorspronkelijke koper van het product en is niet overdraagbaar. Om onder deze garantie rechten uit te oefenen, moet u een aankoopbewijs overleggen in de vorm van een origineel verkoopbewijs van een geautoriseerde dealer, waarop de naam van het product en de aankoopdatum zichtbaar zijn. ER ZIJN GEEN ANDERE EXPLICIETE OF IMPLICIETE GARANTIES. Deze garantie geeft u specifieke wettelijke rechten. Mogelijk heeft u ook andere rechten die van staat tot staat en van land tot land verschillen. Deze garantie is uitsluitend geldig in de Verenigde Staten, het Verenigd Koninkrijk, Ierland, België, Nederland, Luxemburg, Frankrijk, Duitsland en Mexico. Neem contact op met uw lokale verkoper voor garantievoorwaarden in andere landen.

**Veiligheids instructies**

- Open het product NIET. Het bevat geen te onderhouden onderdelen.
- Om onnodige slijtage te elimineren en zijn levensduur te verlengen, gedurende perioden wanneer het product niet wordt gebruikt, moet u het product van de stroom afsluiten door een aardlekschakelaar om te zetten of door het te ontkoppelen.
- KUIK NIET in de lichtbron wanneer het apparaat is ingeschakeld.
- LET OP: De behuizing van dit product kan heet zijn wanneer het in bedrijf is.
- Monteer dit product op een plek met voldoende ventilatie, ten minste 50 cm van de aangrenzende oppervlakken.
- Plaats geen ontvlambaar materiaal binnen 50 cm van dit product als het in gebruik is of is aangesloten op het stopcontact.
- LET OP: Bij het verplaatsen van het product uit extreme omgevingen, (bijv. koude vrachtwagen naar warme, vochtige balzaal) kan er condensvorming optreden op de elektronica van het product. Om storingen te vermijden moet het product volledig kunnen acclimatiseren aan de omgeving voordat het op stroom wordt aangesloten.
- Niet voor permanente buiteninstallatie in locaties met extreme weersomstandigheden. Dit is met inbegrip van, maar niet beperkt tot:
  - Blootstelling aan een marien/zout milieu (binnen 5 km van zout water).
  - Waar de gebruikelijke hoge of lage temperaturen van de locatie de temperatuurbereiken in deze handleiding overschrijden.
  - Locaties die kunnen overstromen of onder sneeuw begraven kunnen worden.
  - Andere gebieden waar het product blootstaat aan extreme straling of bijtende substanties.

- GEBRUIK een veiligheidskabel bij het boven het hoofd plaatsen van dit product.
- Dit product NIET onderdompelen (IP65). Regelmatig gebruik buitenshuis is prima.
- Gebruik dit product NIET als de behuizing, lenzen of kabels beschadigd lijken.
- Sluit dit product NIET aan op een dimmer of een regelweerstand.
- Sluit dit product UITSLUITEND op een geaard en beveiligd stroomcircuit.
- Gebruik UITSLUITEND de ophang-/montagebeugel om dit product te dragen.
- Stop in het geval van ernstige operationele problemen onmiddellijk met het gebruik.
- De maximale omgevingstemperatuur bedraagt 45 °C. Gebruik dit product niet bij hogere temperaturen.

**Contact** Van buiten de VS, Verenigd Koninkrijk, Ierland, Benelux, Frankrijk, Duitsland of Mexico kunt u contact opnemen met de distributeur of om ondersteuning vragen dan wel het product retourneren. Ga naar [Contact Us](#) oor contactinformatie.

- Wat is inbegrepen**
- COLORado 1 Solo
  - Seetronic Powerkon IP65 stroom snoer
  - Garantietaal
  - Beknopte handleiding

**AC-stroom** Dit product heeft een voeding met automatisch bereik die werkt met een ingangsspanning van 100–240 VAC, 50/60 Hz.

**Power Linking** U kunt tot 24 COLORado 1 Solo-producten koppelen bij 120 V, 40 producten bij 208 V of 45 producten bij 230 V. Dit aantal niet overschrijden. Power Linking-snoeren kunnen apart aangeschaft worden.

**AC-stekker**

Aansluiting	Snoer (VS)	Snoer (Europa)	Schroefkleur
AC Live	Zwart	Bruin	Geel/messing
AC Neutraal	Wit	Blauw	Zilver
AC Aarde	Groen/geel	Groen/geel	Groen



- **Om onnodige slijtage te elimineren en zijn levensduur te verlengen, gedurende perioden wanneer het product niet wordt gebruikt, moet u het product van de stroom afsluiten door een aardlekschakelaar om te zetten of door het te ontkoppelen.**
- **Wanneer dit product buiten wordt gebruikt moeten stroom- en gegevenskabels met een IP65-certificering (of hoger) worden gebruikt. Zorg ervoor dat ongebruikte stroom- en gegevenspoorten worden afgesloten met de aangehechte IP65-afdekkingen..**

**DMX-koppeling** De COLORado 1 Solo kan met een DMX-controller werken met een normale DMX seriële verbinding. Op [www.chauvetprofessional.com](http://www.chauvetprofessional.com) is een DMX-basishandleiding verkrijgbaar.

**DMX-aansluiting** De COLORado 1 Solo gebruikt een normale DMX-gegevensverbinding voor zijn DMX-persoonlijkheden: **HSIC, SSP, TOUR, TR16, en STD.Y.** Zie de gebruikershandleiding om te verbinden en te configureren voor DMX-werking.



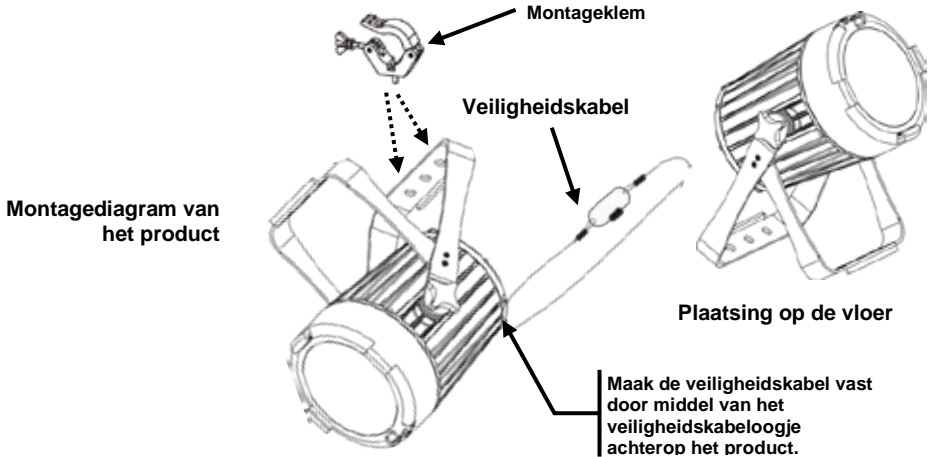
**Wanneer dit product buiten wordt gebruikt in een omgeving die die een IP65-certificering vereist, moet er ook worden gezorgd dat er gegevenskabels met IP65-certificering of hoger worden gebruikt en moeten de ongebruikte poorten worden afgedekt met de vastgehechte IP65-afdekkingen.**



**Let op:** Voor optimale bediening van de 16-bit dimkanalen in de persoonlijkheden TR16 en STD.Y, moet u controleren dat beide dimcurven in SET > DIM en SET > CURV zijn ingesteld naar uit.

**Master/slave-verbinding** De COLORado 1 Solo maakt gebruik van de DMX-dataverbinding voor haar Master/Slave-modus. Zie de gebruikershandleiding om te verbinden en te configureren voor Master/Slave-werking.

**Montage** Lees alvorens dit product te monteren alle [Veiligheidsinstructies](#). Controleer of de montageklem het gewicht van het product kan dragen. Ga voor onze Chauvet-serie montageklemmen naar [www.trusst.com/productcategory/accessories-clamps/](http://www.trusst.com/productcategory/accessories-clamps/).



**Montage boven het hoofd**

**Beschrijving bedieningspaneel**

Toets	Functie
<MENU>	Sluit het huidige menu of functie af
<ENTER>	Activeert het huidige getoonde menu of plaatst de huidige geselecteerde waarde in de geselecteerde functie
<UP>	Navigeert omhoog via het menu of verhoogt de numerieke waarde wanneer in een functie
<DOWN>	Navigeert omlaag via het menu of verlaagt de numerieke waarde wanneer in een functie

**Toegangscode** Vul na dat gevraagd te worden de volgende toegangscode in door te drukken op:

. <UP>, <DOWN>, <UP>, <DOWN>, <ENTER>

Dit toegangscode kan niet gewijzigd worden en moet indien gevraagd ingevuld worden.

## Menu opties

Hoofdniveau	Programmeerniveaus			Beschrijving		
STATIC	000-255		RED	Combineert rood, groen, blauw en wit om een aangepaste kleur te maken (0-100%)		
			GREEN			
			BLUE			
			WHITE			
			ZOOM		Wijzigt de stralingshoek (zoom)	
			STROBE		Selecteert de stroboscoopfrequentie (0-20 Hz)	
ADDRESS	001-512			Selecteert het DMX-startadres		
AUTO PROGRAM	AUTO1-10	Speed	000-255	10 automatische programma's		
	PROGRAM1-10			10 instelbare programma's		
RUN MODE	DMX			DMX-modus		
	SLAVE			Master/Slave-modus		
ZOOM MODE	ZOOM MODE 1			Normale operatie		
	ZOOM MODE 2			Aanbevolen voor gebruik onder 40 ° F		
PERSONALITY	HSIC			9-channel: H/S/CCT dimmer, zoom, zoomherstel, stroboscoop, dimmersnelheid		
	SSP			9-kanaals: RGBW, dimmer, zoom, zoomherstel, stroboscoop, dimmersnelheid		
	TOUR			12-kanaals: RGBW, dimmer, stroboscoop, kleurenmacro, auto/aangepast, dimmersnelheid, autosnelheid, zoom, zoomherstel		
	TR16			17-kanaals: 16-bit RGBW en dimmer; stroboscoop, kleurenmacro, auto/aangepast, dimmersnelheid, autosnelheid, zoom, zoomherstel		
	STD.Y			17-kanaals: 16-bit RGBW en dimmer; stroboscoop, kleurenmacro, auto/aangepast, dimmersnelheid, autosnelheid, zoom, zoomherstel		
EDIT	PROGRAM 01-10	SCENE 01-30	RED	000-255	Combineert rood, groen, blauw en wit om een aangepaste kleur te genereren (0-100%)	
			GREEN			
			BLUE			
			WHITE			
			ZOOM			Selecteert de stralingshoek (zoom)
			STROBE			Selecteert de stroboscoopfrequentie (0-20 Hz)
			TIME			Definieert de stapduur (langzaam tot snel)
			FADE			Definieert de fadeduur (langzaam tot snel)

Hoofdniveau	Programmeerniveaus			Beschrijving		
<b>SETTING</b>	**** (Toegangs code invullen)	<b>UPLOAD</b>	**** (Toegangs code invullen)	<b>SEND</b>	Uploadt aangepaste programma's naar andere COLORado 1 Solo-producten	
		<b>RESET</b>	**** (Toegangs code invullen)		Herstelt product naar de fabrieksinstellingen	
		<b>DIMMER</b>		<b>OFF</b>		Geen dimmer
				<b>DIM4</b>		Dimmerprofielen
				<b>DIM3</b>		
				<b>DIM2</b>		
				<b>DIM1</b>		
		<b>DMX ERROR</b>		<b>SAVE</b>		Gaat verder met de laatste opdracht na verlies van DMX-regeling
				<b>BLACK</b>		Verduistert de armatuur na verlies van DMX
		<b>PWM</b>		<b>600Hz</b>		Selecteert de PWM-uitgangsfrequentie
				<b>1200Hz</b>		
				<b>2000Hz</b>		
				<b>2400Hz</b>		
				<b>6000Hz</b>		
				<b>18000Hz</b>		
				<b>25000Hz</b>		
		<b>FULL POWER CCT</b>		<b>WARM WHITE</b>		Stelt de kleurtemperatuur in wanneer alle kleurfaders zijn ingesteld naar 100%
				<b>NEUTRAL WHITE</b>		
				<b>COOL WHITE#1</b>		
				<b>COOL WHITE#2</b>		
		<b>NORMAL</b>		Handmatige kleurtemperatuur		
<b>XY OFFSET</b>		<b>HIDE</b>		Toont en verbergt XY-instellingen in de PWM-menuoptie.		
		<b>SHOW</b>				
<b>KEY</b>		<b>ON</b>		Schakelt de toegangscode aan of uit		
		<b>OFF</b>				

Hoofdniveau	Programmeerniveaus				Beschrijving	
CALIB.C	**** (Toegangs code invullen)	WHITE	WHITE 01-13	X FINE	+/-200	Wijzigt de kleurenmacro's die worden gebruikt in de <b>TOUR</b> , <b>HSIC</b> , <b>TR16</b> en <b>STD.Y</b> -persoonlijkheden
				Y FINE		
INFO	VERSION	V0.1			Toont de geïnstalleerde softwareversie	
	RDM	UID	0x21A40067__		Geeft de huidige UID #	
		LABEL	COLORado 1 SoLo		Productnaam	

**DMX-waarden**

STD.Y	Kanaal	Functie	Waarde	Percentage/instelling
	1	Dimmer	0000 255	0–100%
	2	Fijne dimmer	0000 255	0–100% (Stapduur indien <b>Custom 1–10</b> in <b>CH. 13</b> actief is)
	3	Rood	0000 255	0–100% (Fadeduur indien <b>Custom 1–10</b> in <b>CH. 13</b> actief is)
	4	Fijn rood	0000 255	Fijne regeling (16-bit)
	5	Groen	0000 255	0–100%
	6	Fijn groen	0000 255	Fijne regeling (16-bit)
	7	Blauw	0000 255	0–100%
	8	Fijn blauw	0000 255	Fijne regeling (16-bit)
	9	Wit	0000 255	0–100%
	10	Fijn wit	0000 255	Fijne regeling (16-bit)
	11	Kleurenmacro + witbalans	0000 010	Geen functie
0110 030			R: 100% G: 0–100% B: 0	
0310 050			R: 100%–0 G: 100% B: 0	
0510 070			R: 0 G: 100% B: 0–100%	
0710 090			R: 0 G: 100%–0 B: 100%	
0910 110			R: 0–100% G: 0 B: 100%	
1110 130			R: 100% G: 0 B: 100%–0	
1310 150			R: 100% G: 0–100% B: 0–100%	
1510 170			R: 100%–0 G: 100%–0 B: 100%	
1710 195			R: 100% G: 100% B: 100% W: 100%	
1960 200			Wit 1	
2010 205			Wit 2	
2060 210			Wit 3	
2110 215			Wit 4	
2160 220	Wit 5			
2210 225	Wit 6			
2260 230	Wit 7			
2310 235	Wit 8			
2360 240	Wit 9			
2410 245	Wit 10			
2460 250	Wit 11			
2510 255	Wit 12			



STD.Y (vervolg)	Kanaal	Functie	Waarde	Percentage/instelling
12	12	Stroboscoop	000 ∘ 009	Geen functie
			010 ∘ 099	0–25 Hz
			100 ∘ 109	Geen functie
			110 ∘ 179	Verlichtingseffect
			180 ∘ 189	Geen functie
			190 ∘ 255	Willekeurig
13	13	Programma's	000 ∘ 040	Geen functie
			041 ∘ 050	Auto 1
			051 ∘ 060	Auto 2
			061 ∘ 070	Auto 3
			071 ∘ 080	Auto 4
			081 ∘ 090	Auto 5
			091 ∘ 100	Auto 6
			101 ∘ 110	Auto 7
			111 ∘ 120	Auto 8
			121 ∘ 130	Auto 9
			131 ∘ 140	Auto 10
			141 ∘ 150	Aangepast 1
			151 ∘ 160	Aangepast 2
			161 ∘ 170	Aangepast 3
			171 ∘ 180	Aangepast 4
			181 ∘ 190	Aangepast 5
			191 ∘ 200	Aangepast 6
201 ∘ 210	Aangepast 7			
211 ∘ 220	Aangepast 8			
221 ∘ 230	Aangepast 9			
231 ∘ 255	Aangepast 10			
14	14	Automatische snelheid	000 ∘ 255	0–100% (alleen bij gebruik van <b>Auto 1-10</b> in <b>Ch. 13</b> )
15	15	Zoom	000 ∘ 255	0–100%
16	16	Zoomherstel	000 ∘ 200	Geen functie
			201 ∘ 220	Zoomherstel
			221 ∘ 255	Geen functie
17	17	Dimmersnelheid	000 ∘ 009	Voorinstelling van de dimmersnelheid vanaf het displaymenu
			010 ∘ 029	Lineaire dimmer
			030 ∘ 069	Niet-lineaire dimcurve 1 (snelst)
			070 ∘ 129	Niet-lineaire dimcurve 2
			130 ∘ 189	Niet-lineaire dimcurve 3
190 ∘ 255	Niet-lineaire dimcurve 4 (langzaamst)			

TR16	Kanaal	Functie	Waarde	Percentage/instelling
	1	Dimmer	000ó 255	0–100%
	2	Fijne dimmer	000ó 255	0–100% (Stapduur indien Custom 1–10 in CH. 13 actief is)
	3	Rood	000ó 255	0–100% (Fadeduur indien Custom 1–10 in CH. 13 actief is)
	4	Fijn rood	000ó 255	Fijne regeling (16-bit)
	5	Groen	000ó 255	0–100%
	6	Fijn groen	000ó 255	Fijne regeling (16-bit)
	7	Blauw	000ó 255	0–100%
	8	Fijn blauw	000ó 255	Fijne regeling (16-bit)
	9	Wit	000ó 255	0–100%
	10	Fijn wit	000ó 255	Fijne regeling (16-bit)
	11	Kleurenmacro + witbalans	000ó 010 011ó 030 031ó 050 051ó 070 071ó 090 091ó 110 111ó 130 131ó 150 151ó 170 171ó 195 196ó 200 201ó 205 206ó 210 211ó 215 216ó 220 221ó 225 226ó 230 231ó 235 236ó 240 241ó 245 246ó 250 251ó 255	Geen functie R: 100% G: 0–100% B: 0 R: 100%–0 G: 100% B: 0 R: 0 G: 100% B: 0–100% R: 0 G: 100%–0 B: 100% R: 0–100% G: 0 B: 100% R: 100% G: 0 B: 100%–0 R: 100% G: 0–100% B: 0–100% R: 100%–0 G: 100%–0 B: 100% R: 100% G: 100% B: 100% W: 100% Wit 1 Wit 2 Wit 3 Wit 4 Wit 5 Wit 6 Wit 7 Wit 8 Wit 9 Wit 10 Wit 11 Wit 12
	12	Stroboscoop	000ó 009 010ó 099 100ó 109 110ó 179 180ó 189 190ó 255	Geen functie 0–25 Hz Geen functie Verlichtingseffect Geen functie Willekeurig

TR16 (vervolg)	Kanaal	Functie	Waarde	Percentage/instelling
	<b>13</b>	<b>Programma's</b>	000ó 040	Geen functie
			041ó 050	Auto 1
			051ó 060	Auto 2
			061ó 070	Auto 3
			071ó 080	Auto 4
			081ó 090	Auto 5
			091ó 100	Auto 6
			101ó 110	Auto 7
			111ó 120	Auto 8
			121ó 130	Auto 9
			131ó 140	Auto 10
			141ó 150	Aangepast 1
			151ó 160	Aangepast 2
			161ó 170	Aangepast 3
			171ó 180	Aangepast 4
			181ó 190	Aangepast 5
	191ó 200	Aangepast 6		
	201ó 210	Aangepast 7		
	211ó 220	Aangepast 8		
	221ó 230	Aangepast 9		
	231ó 255	Aangepast 10		
	<b>14</b>	<b>Automatische snelheid</b>	000ó 255	0-100% (alleen bij gebruik van <b>Auto 1-10</b> in <b>Ch. 13</b> )
	<b>15</b>	<b>Zoom</b>	000ó 255	0-100%
	<b>16</b>	<b>Zoomherstel</b>	000ó 200	Geen functie
			201ó 220	Zoomherstel
			221ó 255	Geen functie
	<b>17</b>	<b>Dimmersnelheid</b>	000ó 009	Voorinstelling van de dimmersnelheid vanaf het displaymenu
			010ó 029	Lineaire dimmer
			030ó 069	Niet-lineaire dimcurve 1 (snelst)
			070ó 129	Niet-lineaire dimcurve 2
			130ó 189	Niet-lineaire dimcurve 3
			190ó 255	Niet-lineaire dimcurve 4 (langzaamst)

<b>TOUR</b>	<b>Kanaal</b>	<b>Functie</b>	<b>Waarde</b>	<b>Percentage/instelling</b>
	<b>1</b>	<b>Dimmer</b>	000ó 255	0–100%
	<b>2</b>	<b>Rood</b>	000ó 255	0–100% ( <b>Stapduur</b> indien <b>Custom 1–10</b> in <b>CH. 8</b> actief is)
	<b>3</b>	<b>Groen</b>	000ó 255	0–100% ( <b>Fadeduur</b> indien <b>Custom 1–10</b> in <b>CH. 8</b> actief is)
	<b>4</b>	<b>Blauw</b>	000ó 255	0–100%
	<b>5</b>	<b>Wit</b>	000ó 255	0–100%
	<b>6</b>	<b>Kleurenmacro + witbalans</b>	000ó 010 011ó 030 031ó 050 051ó 070 071ó 090 091ó 110 111ó 130 131ó 150 151ó 170 171ó 195 196ó 200 201ó 205 206ó 210 211ó 215 216ó 220 221ó 225 226ó 230 231ó 235 236ó 240 241ó 245 246ó 250 251ó 255	Geen functie R: 100% G: 0–100% B: 0 R: 100%–0 G: 100% B: 0 R: 0 G: 100% B: 0–100% R: 0 G: 100%–0 B: 100% R: 0–100% G: 0 B: 100% R: 100% G: 0 B: 100%–0 R: 100% G: 0–100% B: 0–100% R: 100%–0 G: 100%–0 B: 100% R: 100% G: 100% B: 100% W: 100% Wit 1 Wit 2 Wit 3 Wit 4 Wit 5 Wit 6 Wit 7 Wit 8 Wit 9 Wit 10 Wit 11 Wit 12
	<b>7</b>	<b>Stroboscoop</b>	000ó 009 010ó 099 100ó 109 110ó 179 180ó 189 190ó 255	Geen functie 0–25 Hz Geen functie Verlichtingseffect Geen functie Willekeurig

<b>TOUR (vervolg)</b>	<b>Kanaal</b>	<b>Functie</b>	<b>Waarde</b>	<b>Percentage/instelling</b>
<b>8</b>		<b>Programma's</b>	000 ó 040	Geen functie
			041 ó 050	Auto 1
			051 ó 060	Auto 2
			061 ó 070	Auto 3
			071 ó 080	Auto 4
			081 ó 090	Auto 5
			091 ó 100	Auto 6
			101 ó 110	Auto 7
			111 ó 120	Auto 8
			121 ó 130	Auto 9
			131 ó 140	Auto 10
			141 ó 150	Aangepast 1
			151 ó 160	Aangepast 2
			161 ó 170	Aangepast 3
			171 ó 180	Aangepast 4
			181 ó 190	Aangepast 5
			191 ó 200	Aangepast 6
201 ó 210	Aangepast 7			
211 ó 220	Aangepast 8			
221 ó 230	Aangepast 9			
231 ó 255	Aangepast 10			
<b>9</b>	<b>Automatische snelheid</b>		000 ó 255	0–100% (alleen bij gebruik van <b>Auto 1-10</b> in <b>Ch. 8</b> )
<b>10</b>	<b>Zoom</b>		000 ó 255	0–100%
<b>11</b>	<b>Zoomherstel</b>		000 ó 200	Geen functie
			201 ó 220	Zoomherstel
			221 ó 255	Geen functie
<b>12</b>	<b>Dimmersnelheid</b>		000 ó 009	Voorinstelling van de dimmersnelheid vanaf het displaymenu
			010 ó 029	Lineaire dimmer
			030 ó 069	Niet-lineaire dimcurve 1 (snelst)
			070 ó 129	Niet-lineaire dimcurve 2
			130 ó 189	Niet-lineaire dimcurve 3
	190 ó 255	Niet-lineaire dimcurve 4 (langzaamst)		

SSP	Kanaal	Functie	Waarde	Percentage/instelling
	1	Dimmer	000ó 255	0–100%
	2	Rood	000ó 255	0–100%
	3	Groen	000ó 255	0–100%
	4	Blauw	000ó 255	0–100%
	5	Wit	000ó 255	0–100%
	6	Stroboscoop	000ó 009 010ó 099 100ó 109 110ó 179 180ó 189 190ó 255	Geen functie 0–25 Hz Geen functie Verlichtingseffect Geen functie Willekeurig
	7	Zoom	000ó 255	0–100%
	8	Zoomherstel	000ó 200 201ó 220 221ó 255	Geen functie Zoomherstel Geen functie
	9	Dimmersnelheid	000ó 009 010ó 029 030ó 069 070ó 129 130ó 189 190ó 255	Voorinstelling van de dimmersnelheid vanaf het displaymenu Lineaire dimmer Niet-lineaire dimcurve 1 (snelst) Niet-lineaire dimcurve 2 Niet-lineaire dimcurve 3 Niet-lineaire dimcurve 4 (langzaamst)

HSIC	Kanaal	Functie	Waarde	Percentage/instelling
	1	Dimmer	000ó 255	0–100%
	2	Tint	000ó 255	0–100%
	3	Fijn Tint	000ó 255	Fijne regeling (16-bit)
	4	Verzadiging	000ó 255	0–100%
	5	witbalans	000ó 010 011ó 030 031ó 050 051ó 070 071ó 090 091ó 110 111ó 130 131ó 150 151ó 170 171ó 190 191ó 210 211ó 230 231ó 255	Geen functie Wit 1 Wit 2 Wit 3 Wit 4 Wit 5 Wit 6 Wit 7 Wit 8 Wit 9 Wit 10 Wit 11 Wit 12
	6	Stroboscoop	000ó 009 010ó 099 100ó 109 110ó 179 180ó 189 190ó 255	Geen functie 0–25 Hz Geen functie Verlichtingseffect Geen functie Willekeurig
	7	Zoom	000ó 255	0–100%
	8	Zoomherstel	000ó 200 201ó 220 221ó 255	Geen functie Zoomherstel Geen functie
	9	Dimmersnelheid	000ó 009 010ó 029 030ó 069 070ó 129 130ó 189 190ó 255	Voorinstelling van de dimmersnelheid vanaf het displaymenu Lineaire dimmer Niet-lineaire dimcurve 1 (snelst) Niet-lineaire dimcurve 2 Niet-lineaire dimcurve 3 Niet-lineaire dimcurve 4 (langzaamst)

Contact Us

General Information	Technical Support
<b>Chauvet World Headquarters</b>	
Address: 5200 NW 108th Avenue Sunrise, FL 33351 Voice: (954) 577-4455 Toll free: (800) 762-1084	Voice: (844) 393-7575 Email: <a href="mailto:chauvetcs@chauvetlighting.com">chauvetcs@chauvetlighting.com</a>  Website: <a href="http://www.chauvetprofessional.com">www.chauvetprofessional.com</a>
<b>Chauvet Europe Ltd</b>	
Address: Unit 1C Brookhill Road Industrial Estate Pinxton, Nottingham, UK NG16 6NT  Voice: +44 (0)1773 511115	Email: <a href="mailto:uktech@chauvetlighting.com">uktech@chauvetlighting.com</a>  Website: <a href="http://www.chauvetlighting.co.uk">www.chauvetlighting.co.uk</a>
<b>Chauvet Europe BVBA</b>	
Address: Stokstraat 18 9770 Kruishoutem Belgium  Voice: +32 9 388 93 97	Email: <a href="mailto:Eutech@chauvetlighting.com">Eutech@chauvetlighting.com</a>  Website: <a href="http://www.chauvetlighting.eu">www.chauvetlighting.eu</a>
<b>Chauvet France</b>	
Address: 3, Rue Ampère 91380 Chilly-Mazarin France  Voice: +33 1 78 85 33 59	Email: <a href="mailto:Eutech@chauvetlighting.com">Eutech@chauvetlighting.com</a>  Website: <a href="http://www.chauvetlighting.eu">www.chauvetlighting.eu</a>
<b>Chauvet Germany</b>	
Address: Bruno-Bürgel-Str. 11 28759 Bremen Germany  Voice: +49 421 62 60 20	Email: <a href="mailto:Eutech@chauvetlighting.com">Eutech@chauvetlighting.com</a>  Website: <a href="http://www.chauvetlighting.eu">www.chauvetlighting.eu</a>
<b>Chauvet Mexico</b>	
Address: Av. de las Partidas 34-3B (Entrance by Calle 2) Zona Industrial Lerma Lerma, Mexico C.P. 52000  Voice: +52 (728) 690-2010	Email: <a href="mailto:servicio@chauvet.com.mx">servicio@chauvet.com.mx</a>  Website: <a href="http://www.chauvetprofessional.mx">www.chauvetprofessional.mx</a>

Outside the U.S., U.K., Ireland, Benelux, France, Germany, or Mexico, contact the dealer of record. Follow the instructions to request support or to return a product. Visit our website for contact details



UL 1573  
 CSA C22.2 No. 166  
 E113093