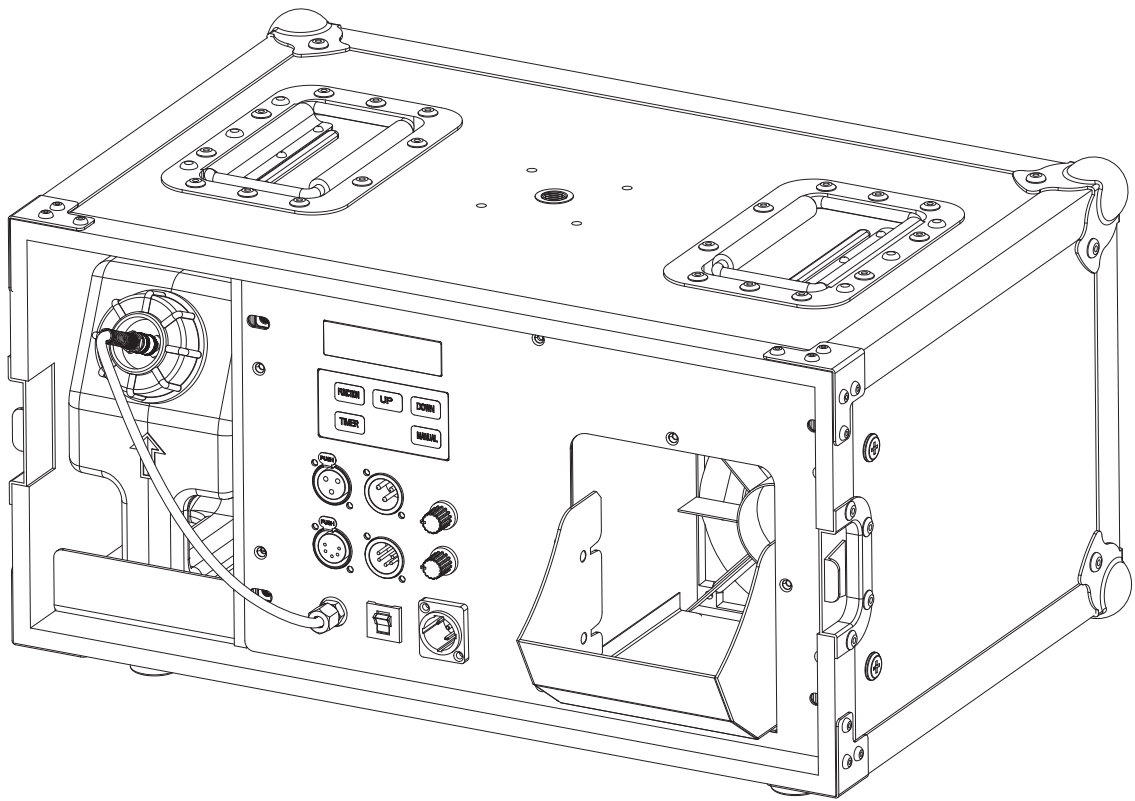


Ambhaze Whisper

User Manual




CHAUVET
PROFESSIONAL

TABLE OF CONTENTS

1. Edition Notes	1
Trademarks	1
Copyright Notice.....	1
Manual Use	1
Document Printing.....	1
Intended Audience	1
Disclaimer	1
Document Revision	1
2. Before You Begin	2
What Is Included	2
Claims	2
Manual Conventions	2
Symbols	2
Safety Notes.....	3
Personal Safety.....	3
Mounting and Rigging	3
Power and Wiring.....	3
Operation	4
3. Introduction	5
Description	5
Features.....	5
Product Overview.....	5
Product Dimensions	6
4. Setup	7
AC Power	7
AC Plug	7
DMX Linking.....	7
DMX Personalities.....	7
Mounting	8
Orientation.....	8
Rigging.....	8
Procedure.....	8
Preparing for Operation.....	9
Storage.....	9
5. Operation	10
Control Panel Operation.....	10
Control Options	10
Programming.....	10
Menu Map	10
Configuration (DMX)	11
DMX Control.....	11
DMX Values	11
Configuration (Standalone)	11
Interval	11
Duration.....	11
6. Technical Information	12
Product Maintenance	12
Storage.....	12
7. Technical Specifications	13

TABLE OF CONTENTS

8. Returns	14
8. Contact Us	15

1. EDITION NOTES

The Amhaze Whisper User Manual includes a description, safety precautions, installation, programming, operation and maintenance instructions for the Amhaze Whisper as of the release of this edition.

Trademarks

CHAUVET, the Chauvet logo and Amhaze Whisper are registered trademarks or trademarks of Chauvet & Sons, LLC (d/b/a Chauvet and Chauvet Lighting) in the United States and other countries. Other company and product names and logos referred to herein may be trademarks of their respective companies.

Copyright Notice

The works of authorship contained in this manual, including, but not limited to, all design, text and images are owned by Chauvet.

© Copyright 2017 Chauvet & Sons, LLC. All rights reserved.

Electronically published by Chauvet in the United States of America.

Manual Use

Chauvet authorizes its customers to download and print this manual for professional information purposes only. Chauvet expressly prohibits the usage, copy, storage, distribution, modification, or printing of this manual or its content for any other purpose without written consent from Chauvet.

Document Printing

For best results, print this document in color, on letter size paper (8.5 x 11 in), double-sided. If using A4 paper (210 x 297 mm), configure the printer to scale the content accordingly.

Intended Audience

Any person installing, operating, and/or maintaining this product should completely read through the guide that shipped with the product, as well as this manual, before installing, operating, or maintaining this product.

Disclaimer

Chauvet believes that the information contained in this manual is accurate in all respects. However, Chauvet assumes no responsibility and specifically disclaims any and all liability to any party for any loss, damage or disruption caused by any errors or omissions in this document, whether such errors or omissions result from negligence, accident or any other cause. Chauvet reserves the right to revise the content of this document without any obligation to notify any person or company of such revision, however, Chauvet has no obligation to make, and does not commit to make, any such revisions. Download the latest version from www.chauvetprofessional.com

Document Revision

This Amhaze Whisper User Manual is the 4st edition of this document. Go to www.chauvetprofessional.com for the latest version.

2. BEFORE YOU BEGIN

What Is Included

- Amhaze Whisper
- Seetronic Powerkon IP65 power cord
- Warranty Card
- Quick Reference Guide

Claims

Carefully unpack the product immediately and check the container to make sure all the parts are in the package and are in good condition.





If the box or the contents (the product and included accessories) appear damaged from shipping, or show signs of mishandling, notify the carrier immediately, not Chauvet. Failure to report damage to the carrier immediately may invalidate your claim. In addition, keep the box and contents for inspection.

For other issues, such as missing components or parts, damage not related to shipping, or concealed damage, file a claim with Chauvet within 7 days of delivery.

Manual Conventions

Convention	Meaning
1–512	A range of values
50/60	A set of values of which only one can be chosen
<SET>	A button on the product's control panel
Settings	A product function or a menu option

Symbols

Symbol	Meaning
	Electrical warning. Not following these instructions may cause electrical damage to the product, accessories, or the user.
	Critical installation, configuration, or operation information. Not following these instructions may make the product not work, cause damage to the product, or cause harm to the operator.
	Important installation or configuration information. The product may not function correctly if this information is not used.
	Useful information.



Any reference to power connections in this manual assumes the use of Seetronic IP rated cables.



The term “DMX” used throughout this manual refers to the USITT DMX512-A digital data transmission protocol.

Safety Notes

Read all the following safety notes before working with this product. These notes contain important information about the installation, usage, and maintenance of this product.



This product contains no user-serviceable parts. Any reference to servicing in this User Manual will only apply to properly trained, certified technicians. Do not open the housing or attempt any repairs.



All applicable local codes and regulations apply to proper installation of this product.

Personal Safety

- Depending on the amount of haze generated, all haze machines may set off smoke detectors.
- Drain the tank before transporting the product.
- Always disconnect this product from its power source before servicing.
- The product's nozzle is very hot during operation and it remains hot for a long time after operation has stopped.
- Always connect this product to a grounded circuit to avoid the risk of electrocution.
- Do not drink or become in contact with the haze fluid. If you do, call your local emergency service (911 in the US) for help.
- Do not use for space heating purposes.
- Do not touch this product's housing during operation because it may be very hot.

Mounting and Rigging

- The product is not intended for permanent installation.
- This product is for indoor use only! To prevent risk of fire or shock, do not expose this product to rain or moisture. (IP20)
- CAUTION: When transferring product from extreme temperature environments, (e.g. cold truck to warm humid ballroom) condensation may form on the internal electronics of the product. To avoid causing a failure, allow product to fully acclimate to the surrounding environment before connecting it to power.
- Mount this product in a location with adequate ventilation, at least 20 in (50 cm) from adjacent surfaces.
- Make sure there are no flammable materials close to this product while it is operating.
- When hanging this product, always secure to a fastening device using a safety cable.

Power and Wiring

- Always make sure you are connecting this product to the proper voltage in accordance with the specifications in this manual or on the product's specification label.
- To eliminate unnecessary wear and improve its lifespan, during periods of non-use completely disconnect the product from power via breaker or by unplugging it.
- Never connect this product to a dimmer pack or rheostat.
- Never disconnect this product by pulling or tugging on the power cable.

Operation

- Do not operate this product if you see damage to the housing, fluid tank, or cables. Have the damaged parts replaced by an authorized technician at once.
- Be sure that no ventilation slots on the product's housing are blocked.
- Never carry the product from the power cord or any moving part. Always use the handles.
- The haze exits the nozzle at a very high temperature and it remains hot for a long time after operation has stopped. Keep a minimum distance of 6.5 ft (2 m) from the nozzle to the nearest object.
- The maximum ambient temperature is 113 °F (45 °C). Do not operate this product at a higher temperature.
- In the event of a serious operating problem, stop using this product immediately!
- Do not add perfume, alcohol, gasoline, or any other flammables to the haze fluid.
- Use only CHAUVET water-based Premium Haze Fluid (PHF).



If your Chauvet product requires service, contact Chauvet Technical Support.

3. INTRODUCTION

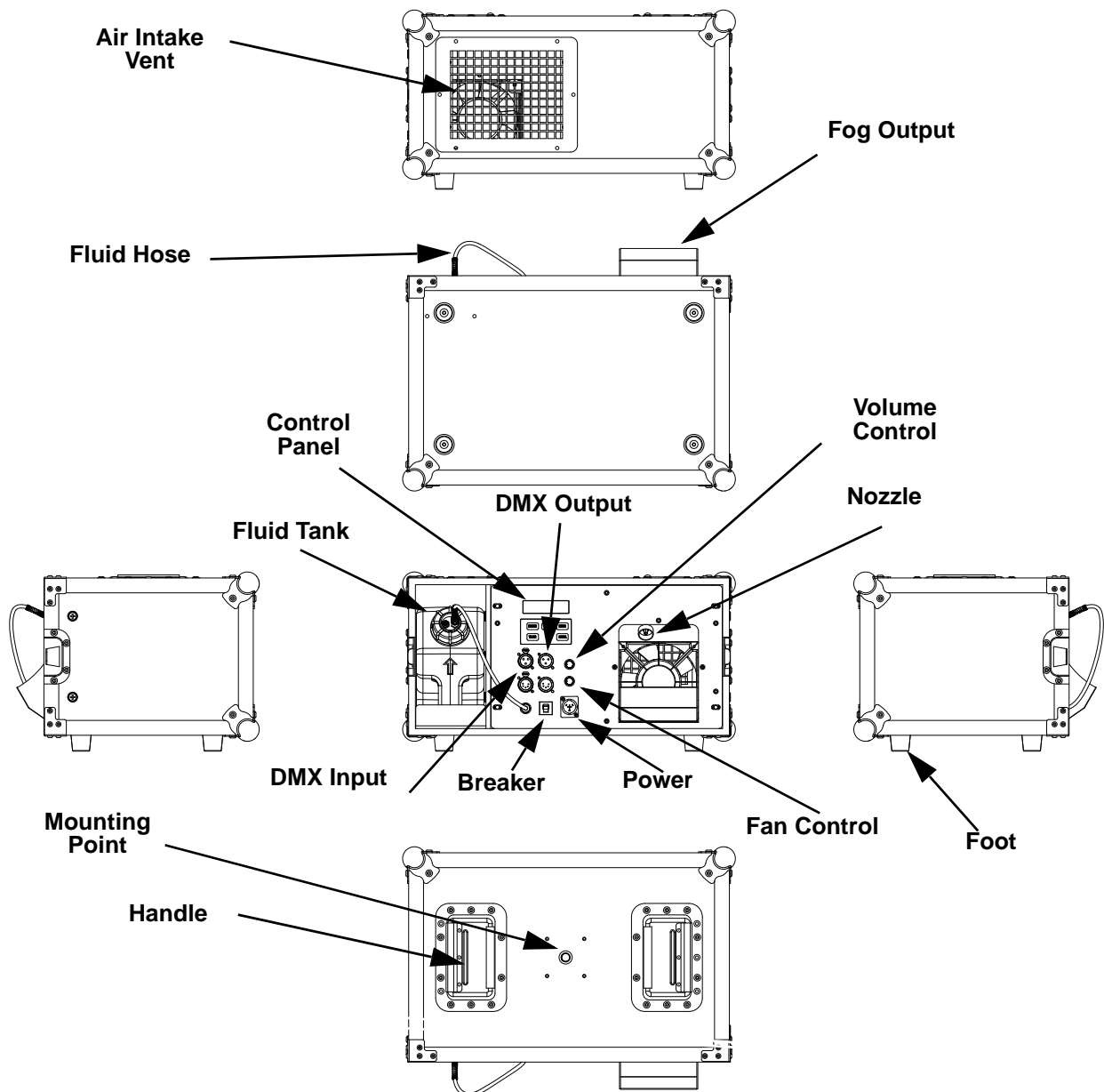
Description

The Amhaze Whisper is an ideal haze machine for use in television studios and theatrical productions where discreet operation and rapid heat up time are key. The speed of the fan is controllable and the volume of haze fully adjustable up to a maximum of 7000 cfm.

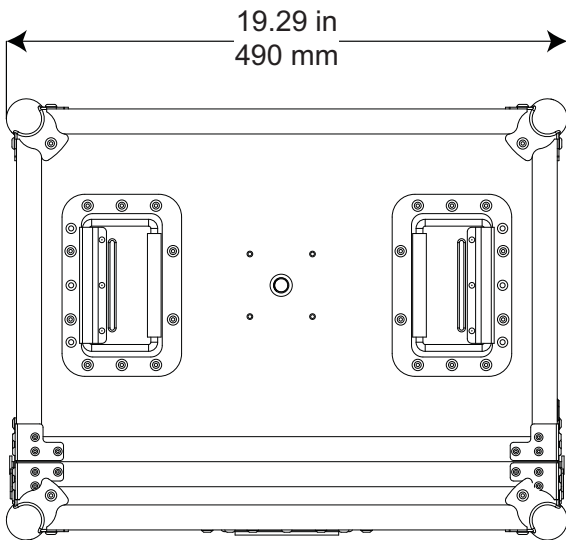
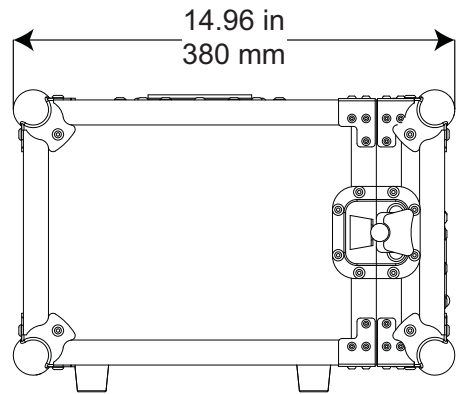
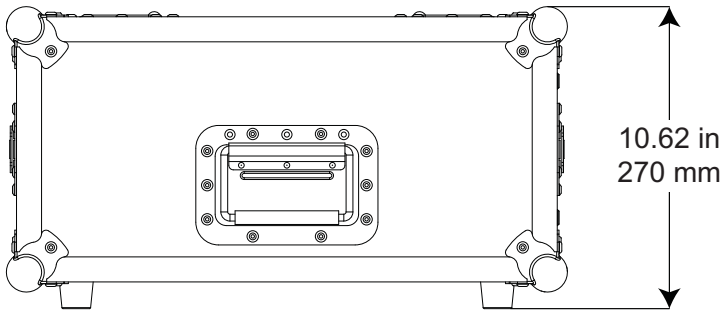
Features

- Professional water-based haze machine
- Quiet operation for theatrical and studio usage
- Removable vent louver for directional haze flow
- Tour-ready with a rugged road case and M12 threaded rigging insert
- Achieve continuous variable haze output and blower speed, adjusted via DMX or manual knobs

Product Overview



Product Dimensions



4. SETUP

AC Power

Each Amhaze Whisper has a fixed power supply that works with an input voltage of either 120 VAC, 60 Hz or 230 VAC, 50 Hz, depending on the specific model. To determine the power requirements for each Amhaze Whisper, refer to the label affixed to the product. You can also refer to the Technical Specifications chart in this manual.

The listed current rating indicates the maximum current draw during normal operation. For more information, download Sizing Circuit Breakers from the Chauvet website: www.chauvetprofessional.com.



- **Always connect the product to a protected circuit (circuit breaker or fuse). Make sure the product has an appropriate electrical ground to avoid the risk of electrocution or fire.**
- **To eliminate unnecessary wear and improve its lifespan, during periods of non-use completely disconnect the product from power via breaker or by unplugging it.**



Never connect the product to a rheostat (variable resistor) or dimmer circuit, even if the rheostat or dimmer channel serves only as a 0 to 100% switch.

AC Plug

The Amhaze Whisper comes with a power input cord terminated with a Seetronic Powerkon A connector on one end and an Edison plug on the other end (U.S. market). If the power input cord that came with your product has no plug, or if you need to change the plug, use the table below to wire the new plug.

Connection	Wire (U.S.)	Wire (Europe)	Screw Color
AC Live	Black	Brown	Yellow or Brass
AC Neutral	White	Blue	Silver
AC Ground	Green/Yellow	Green/Yellow	Green

DMX Linking

You can link the Amhaze Whisper to a DMX controller using a 3- or 5-pin DMX connection. If using other DMX-compatible products with this product, you can control each individually with a single DMX controller.

DMX Personalities

The Amhaze Whisper uses a 3- or 5-pin DMX data connection for the 2-channel DMX personality.

- Refer to the Introduction for a brief description of each DMX personality.
- Refer to the Operation chapter to learn how to configure the Amhaze Whisper to work in these personalities.
- The DMX Values section provides detailed information regarding the DMX personalities.



If you are not familiar with or need more information about DMX standards, Master/Slave connectivity, or the DMX cables needed to link this product to a DMX controller, download the DMX Primer from the Chauvet website: www.chauvetprofessional.com.

SETUP

Mounting

Before mounting the product, read and follow the safety recommendations indicated in the Safety Notes. For our CHAUVET Professional line of mounting clamps, go to <http://trusst.com/products/>.

Orientation

Always mount this product in a safe position, making sure there is adequate room for ventilation, configuration, and maintenance.

Rigging

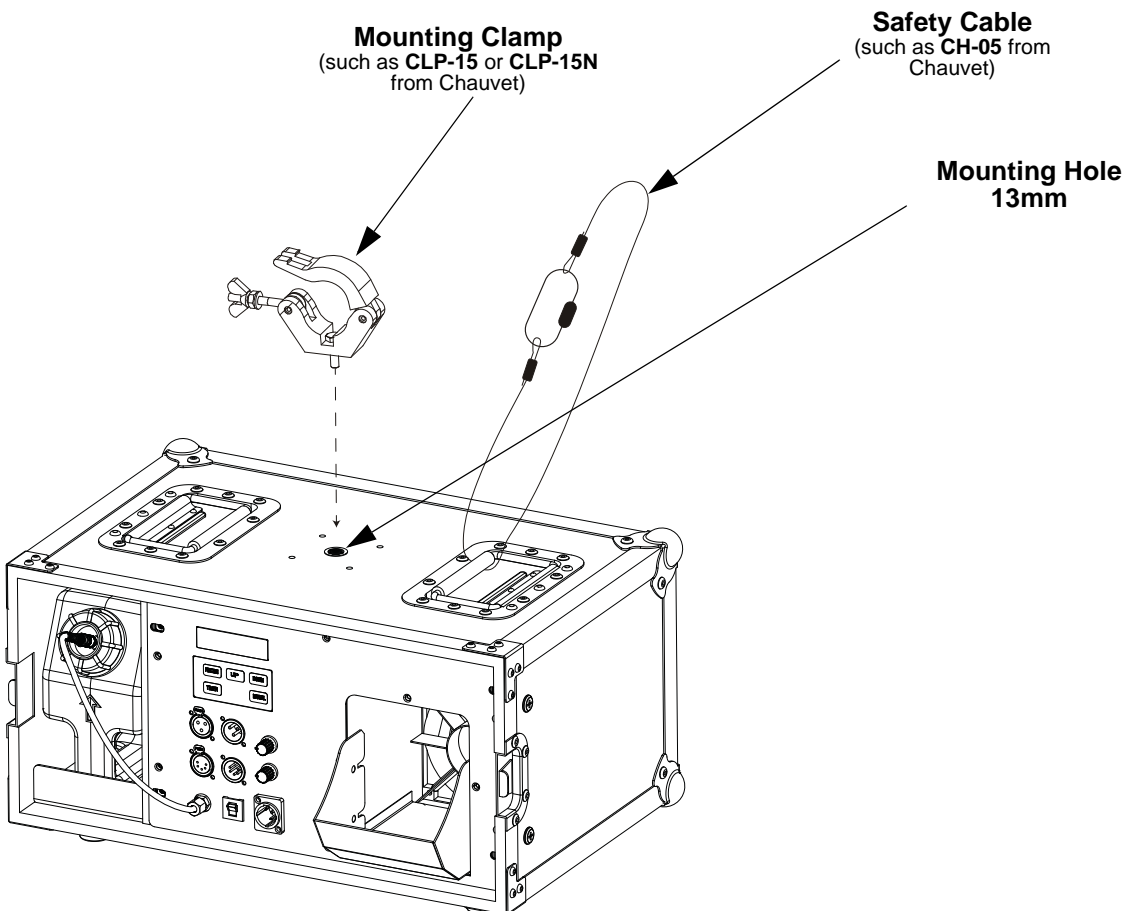
Chauvet recommends using the following general guidelines when mounting this product.

- Before deciding on a location for the product, make sure there is easy access to the product for maintenance and programming purposes.
- Make sure that the structure onto which you are mounting the product can support the product's weight. See the [Technical Specifications](#) for weight information.
- When mounting the product overhead, always use a safety cable. Mount the product securely to a rigging point, whether an elevated platform or a truss.
- When rigging the product onto a truss, use a mounting clamp of appropriate weight capacity.

Procedure

The Amhaze Whisper includes 4 rubber feet for floor mounting and comes with a threaded mounting hole, size M13, at the top of the hazer. This mounting hole is appropriate for use with a mounting clamp. You must supply the mounting clamps. Make sure the clamps are capable of supporting the weight of this product. Use at least one mounting point per product. For the CHAUVET Professional line of mounting clamps, go to <http://www.trusst.com/products>.

Mounting Diagram



Preparing for Operation

To prepare the Amhaze Whisper for operation:

1. Open the flight case.
2. Pull out the fluid tank and remove the cap.
3. Verify that the two plastic hoses attached to the inside of the cap are in place and in good condition.
4. Pour Chauvet PHF haze fluid inside the tank, and re-cap.
5. Reinsert the tank.
6. Make sure that the plastic hose that goes from the cap to the hazer is not bent.
7. Plug in power and wait approximately 30 seconds for warm-up to complete.



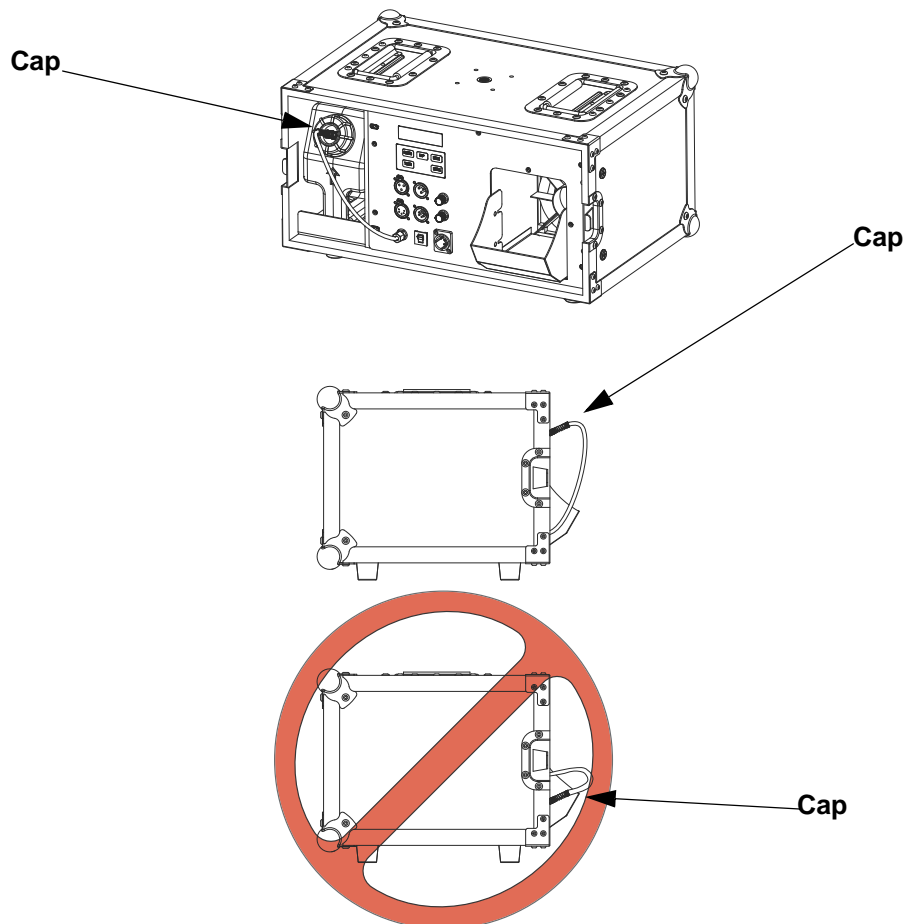
Only use Chauvet approved PHF haze fluid. Otherwise, you might not have satisfactory results. In addition, unapproved fluid can damage the Amhaze Whisper or cause harm to humans or animals.



When storing the product, ALWAYS be sure to store the fluid tank with the cap up, as seen on the storage diagram below before installing the front cover to avoid tube damage that may cause leakage.

Storage

Before storing this product, be sure that the fluid container is placed inside the product correctly with the cap facing up.



5. OPERATION

Control Panel Operation

Button	Function
<FUNCTION>	Exits from the current menu or function
<MANUAL>	Manual control haze output
<VOLUME>	Haze volume output control
<TIMER>	Timed haze output
<FAN>	Fan output control
<UP>	Navigates upward through the menu list or increases the numeric value when in a function
<DOWN>	Navigates downward through the menu list or decreases the numeric value when in a function

Control Options

Set the Amhaze Whisper starting address in the 001-512 DMX range. This enables control of up to 256 products in the 2-channel personality.

Programming

Refer to the Menu Map to understand the menu options. The menu map shows the main level and a variable number of programming levels for each option.

- To go to the desired main level, press <FUNCTION> repeatedly until the option shows on the display. This will take you to the first programming level for that option.
- To select an option or value within the current programming level, press <UP> or <DOWN> until the option shows on the display. If there is another programming level, you will see that first option, or you will see the selected value.
- Press <FUNCTION> repeatedly to exit to the previous main level.

Menu Map

Main Level	Programming Levels	Description
DMX Add.	000 ~ 512	Selects DMX address (highest channel restricted to personality chosen).
Interval Set	10 ~ 300	Sets the Interval between haze bursts
Duration Set	10 ~ 255	Sets how long the burst of haze will last

Configuration (DMX)

Use DMX configurations to operate the product with a DMX controller.

DMX Control

In this mode, each product will respond to a unique starting address from the DMX controller. All products with the same starting address will respond in unison.

1. Go to **DMX Add.** main level.
2. Select the starting address (**001–512**).

DMX Values

2 CH

Channel	Function	Value	Percent/Setting
1	Fan Speed	000 ⇔ 005 006 ⇔ 255	No Function Fan Speed (Slow to Fast)
2	Haze Volume	000 ⇔ 005 006 ⇔ 255	No Function Haze Volume 0-100%

Configuration (Standalone)

Use standalone configuration to operate the product without a DMX controller.

Interval

1. Go to **Interval Set** main level
2. Select the desired speed (**10-300**)

Duration

1. Go to the **Duration Set** main level
2. Select how long the haze flow will last (**10-255**)

6. TECHNICAL INFORMATION

Product Maintenance

Do not allow the haze machine to become clogged. After every 40 hours of continuous operation, use CHAUVET Fog Cleaner Quart (FCQ) through the system to prevent the accumulation of particulate matter in the heating element.

The recommended cleaning procedure is as follows.

1. Unplug the product from power.
2. Empty all haze fluid from the machine.
3. Add cleaning solution to the tank.
4. Connect the product to power and allow it to warm up.
5. Run the unit in a well-ventilated area until the tank is empty.
6. Refill with haze fluid to continue using the hazer. Run the machine briefly to clear any cleaning solution from the pump and heater.



- **FCQ (Fog Cleaner Quart) was specifically developed by CHAUVET to clean your Amhaze Whisper. Make sure you use FCQ regularly to increase the life of your hazer.**
- **Do not spin the fans using compressed air because you could damage the hazer.**
- **Test-run your Amhaze Studio on a monthly basis to achieve the best performance.**

Storage

Before storing the hazer, run FCQ through the system as described in the cleaning procedure above; however, only follow steps 1 through 5. Do not refill the tank with hazer fluid if storing the hazer. Cleaning the system prior to storage will help prevent any particles from condensing inside the pump or heater while not in use.

7. TECHNICAL SPECIFICATIONS

Dimensions and Weight

Length	Width	Height	Weight
19.29 in (490 mm)	14.96 in (380 mm)	10.62 in (270 mm)	33.2 lb (15.1 kg)

Note: Dimensions in inches rounded to the nearest decimal digit.

Power

Power Supply Type	Range	Voltage Selection
Model-specific	120 VAC, 60 Hz or 230 VAC, 50 Hz	Fixed

Parameter	120 V, 60 Hz	230 V, 50 Hz
Consumption	1070 W	1285 W
Operating Current	8.5 A	5.6 A
Breaker	F 15 A, 250 V	F 8 A, 250 V

Power I/O	U.S./Worldwide	UK/Europe
Power input connector	Seetronic Powerkon IP65	Seetronic Powerkon IP65
Power Cord plug	Edison (U.S.)	Local Plug

Operation/Capacity/Consumption

Heat-up Time	Tank Capacity	Fluid Consumption
LED	0.92 gal (3.5 l)	7 ml/min

Output
7000 CFM

Thermal

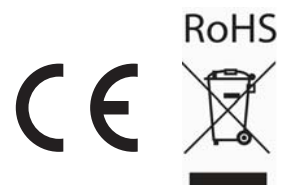
Maximum External Temperature	Cooling System
113 °F (45 °C)	Convection

DMX

I/O Connector	Channel Range
3-or 5-pin XLR	2

Ordering

Product Name	Item Code	UPC Number
Amhaze Whisper	0507126	781462216115
Amhaze Whisper 220V	05071292	781462216405



RETURNS

Send the product prepaid, in the original box, and with the original packing and accessories. Chauvet will not issue call tags.

Call Chauvet and request a Return Merchandise Authorization (RMA) number before shipping the product. Be prepared to provide the model number, serial number, and a brief description of the cause(s) for the return.

Clearly label the package with an RMA number. Chauvet will refuse any product returned without an RMA number.



Write the RMA number on a properly affixed label. DO NOT write the RMA number directly on the box.

Once you have the RMA number, provide the following information on a piece of paper and place it inside the box:

- Your name
- Your address
- Your phone number
- RMA number
- A brief description of the problem

Be sure to pack the product properly. Any shipping damage resulting from inadequate packaging will be your responsibility. FedEx packing or double-boxing are recommended.



Chauvet reserves the right to use its own discretion to repair or replace returned product(s).

CONTACT US

World Headquarters	
General Information	Technical Support
Address: 5200 NW 108th Ave. Sunrise, FL 33351 Voice: (954) 577-4455 Fax: (954) 929-5560 Toll Free: (800) 762-1084	Voice: (844) 393-7575 Fax: (954) 756-8015 Email: chauvetcs@chauvetlighting.com
	Website
	www.chauvetlighting.com
EUROPE	
General Information	Technical Support
Address: Stokstraat 18 9770 Kruishoutem Belgium Voice: +32 9 388 93 97	Email: eutech@chauvetlighting.eu
	Website
	www.chauvetlighting.eu
General Information	
General Information	Technical Support
Address: Unit 1C Brookhill Road Industrial Estate Pinxton, Nottingham, UK NG16 6NT Voice: +44 (0) 1773 511115 Fax: +44 (0) 1773 511110	Email: uktech@chauvetlighting.com
	Website
	www.chauvetlighting.co.uk
MEXICO	
General Information	Technical Support
Address: Av. de las Partidas 34 - 3B, Zona Industrial Lerma (Entrance by Calle 2) Lerma, Edo. de México, CP 52000 Voice: +52 (728) 690-2010	Email: servicio@chauvet.com.mx
	Website
	www.chauvet.com.mx

Visit the applicable website above to verify our contact information and instructions to request support. Outside the U.S., United Kingdom, Ireland, Mexico or Benelux, contact the dealer of record.