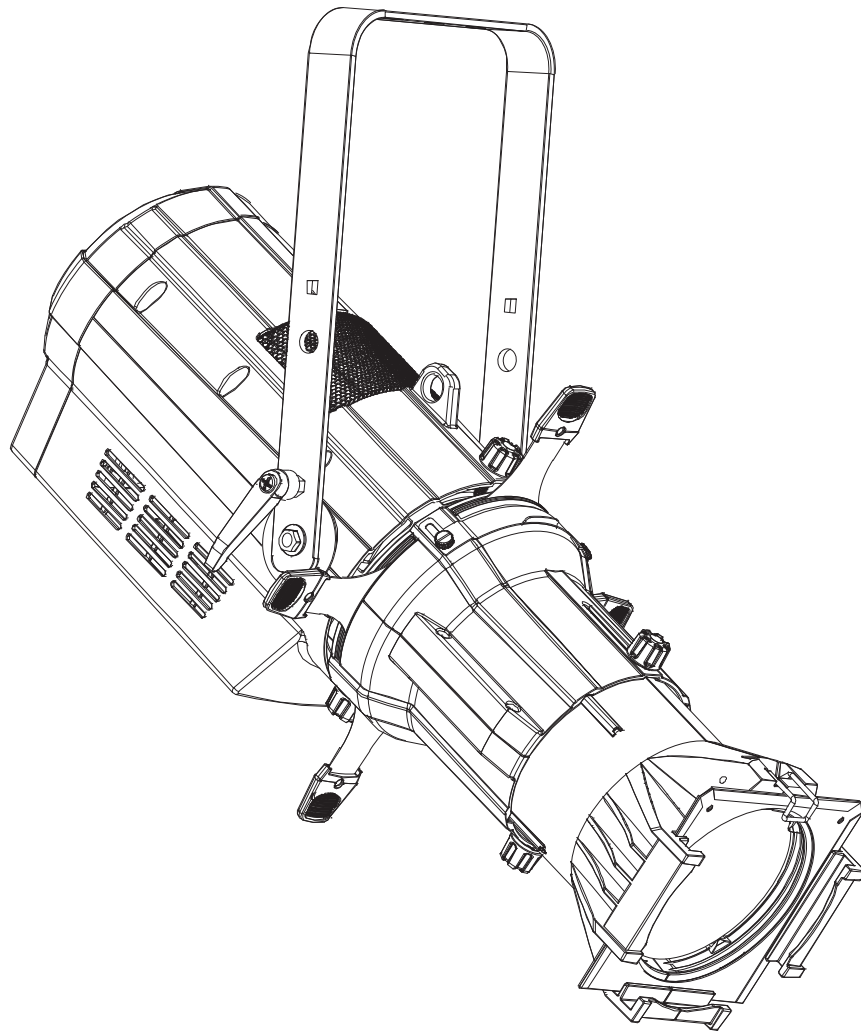


Ovation

E-160WW

User Manual




CHAUVET
PROFESSIONAL

EDITION NOTES

The Ovation E-160WW User Manual includes a description, safety precautions, installation, programming, operation and maintenance instructions for the Ovation E-160WW as of the release of this edition.

Trademarks

CHAUVET, the Chauvet logo and Ovation E-160WW are registered trademarks or trademarks of Chauvet & Sons, LLC (d/b/a Chauvet and Chauvet Lighting) in the United States and other countries. Other company and product names and logos referred to herein may be trademarks of their respective companies.

Copyright Notice

The works of authorship contained in this manual, including, but not limited to, all design, text and images are owned by Chauvet.

© **Copyright 2017 Chauvet & Sons, LLC. All rights reserved.**

Electronically published by Chauvet in the United States of America.

Manual Use

Chauvet authorizes its customers to download and print this manual for professional information purposes only. Chauvet expressly prohibits the usage, copy, storage, distribution, modification, or printing of this manual or its content for any other purpose without written consent from Chauvet.

Document Printing

For best results, print this document in color, on letter size paper (8.5 x 11 in), double-sided. If using A4 paper (210 x 297 mm), configure the printer to scale the content accordingly.

Intended Audience

Any person installing, operating, and/or maintaining this product should completely read through the guide that shipped with the product, as well as this manual, before installing, operating, or maintaining this product.

Disclaimer

Chauvet believes that the information contained in this manual is accurate in all respects. However, Chauvet assumes no responsibility and specifically disclaims any and all liability to any party for any loss, damage or disruption caused by any errors or omissions in this document, whether such errors or omissions result from negligence, accident or any other cause. Chauvet reserves the right to revise the content of this document without any obligation to notify any person or company of such revision, however, Chauvet has no obligation to make, and does not commit to make, any such revisions. Download the latest version from www.chauvetprofessional.com

Document Revision

This Ovation E-160WW User Manual is the 3rd edition of this document. Go to www.chauvetprofessional.com for the latest version.

TABLE OF CONTENTS

1. Before You Begin	3
What Is Included	3
Claims	3
Manual Conventions	3
Symbols	3
Safety Notes.....	4
Personal Safety.....	4
Mounting and Rigging	4
Power and Wiring.....	4
Operation	4
Expected LED Lifespan.....	4
2. Introduction	5
Description	5
Features	5
Product Overview.....	6
Product Dimensions.....	7
3. Setup	8
AC Power.....	8
AC Plug.....	8
Power Linking.....	8
Fuse Replacement.....	8
DMX Linking.....	8
DMX Personalities.....	8
Remote Device Management.....	9
Master/Slave Connectivity.....	9
Mounting	9
Orientation.....	9
Rigging.....	9
Procedure.....	10
Manual Beam Focus Control.....	10
Rotating the Barrel Assembly.....	11
Accessory Slot	11
4. Operation	12
Control Panel Operation.....	12
Control Options	12
Programming.....	12
Menu Map	12
Configuration (Standalone)	13
Static Mode	13
Focus Mode	13
Auto Programs	13
Master/Slave	13
Dimmer Profiles.....	14
LED Frequency	14
Fan Mode.....	14
Back Light	14
System Information	14
Configuration (DMX)	14
DMX Personalities.....	14
DMX Control.....	15
DMX Values	15

6 Ch.....	15
3 Ch.....	15
2 Ch.....	15
1 Ch.....	15
5. Technical Information	16
Product Maintenance	16
6. Technical Specifications	17
Photometrics Chart	18
Photometrics Chart	19
Photometrics Chart	20
Photometrics Chart	21
Photometrics Chart	22
Photometrics Chart	23
Photometrics Chart	24
7. Returns	25
8. Contact Us	26

1. BEFORE YOU BEGIN

What Is Included

- Ovation E-160WW
- Power Cord
- Warranty Card
- Quick Reference Guide

Claims

Carefully unpack the product immediately and check the container to make sure all the parts are in the package and are in good condition.





If the box or the contents (the product and included accessories) appear damaged from shipping, or show signs of mishandling, notify the carrier immediately, not Chauvet. Failure to report damage to the carrier immediately may invalidate your claim. In addition, keep the box and contents for inspection.

For other issues, such as missing components or parts, damage not related to shipping, or concealed damage, file a claim with Chauvet within 7 days of delivery.

Manual Conventions

Convention	Meaning
1–512	A range of values
50/60	A set of values of which only one can be chosen
<SET>	A button on the product’s control panel
Settings	A product function or a menu option

Symbols

Symbol	Meaning
	Electrical warning. Not following these instructions may cause electrical damage to the product, accessories, or the user.
	Critical installation, configuration, or operation information. Not following these instructions may make the product not work, cause damage to the product, or cause harm to the operator.
	Important installation or configuration information. The product may not function correctly if this information is not used.
	Useful information.



Any reference to data or power connections in this manual assumes the use of Seetronic IP rated cables.



The term “DMX” used throughout this manual refers to the USITT DMX512-A digital data transmission protocol.

Safety Notes

Read all the following safety notes before working with this product. These notes contain important information about the installation, usage, and maintenance of this product.



This product contains no user-serviceable parts. Any reference to servicing in this User Manual will only apply to properly trained, certified technicians. Do not open the housing or attempt any repairs.



All applicable local codes and regulations apply to proper installation of this product.

Personal Safety

- Avoid direct eye exposure to the light source while the product is on.
- Always disconnect the product from the power source before cleaning or replacing the fuse.
- Always connect the product to a grounded circuit to avoid the risk of electrocution.
- Do not touch the product's housing when operating because it may be very hot.

Mounting and Rigging

- This product is for indoor use only! To prevent risk of fire or shock, do not expose this product to rain or moisture. (IP20)
- CAUTION: When transferring product from extreme temperature environments, (e.g., cold truck to warm, humid ballroom) condensation may form on the internal electronics of the product. To avoid causing a failure, allow product to fully acclimate to the surrounding environment before connecting it to power.
- Mount this product in a location with adequate ventilation, at least 20 in (50 cm) from adjacent surfaces.
- Make sure there are no flammable materials close to the product when operating.
- When hanging this product, always secure to a fastening device using a safety cable.
- Use caution when loosening the barrel rotation knobs. If these knobs become too loose, the barrel assembly may inadvertently separate from the light engine.

Power and Wiring

- Always make sure you are connecting the product to the proper voltage in accordance with the specifications in this manual or on the product's specification label.
- Never connect the product to a dimmer pack or rheostat.
- To eliminate unnecessary wear and improve its lifespan, during periods of non-use completely disconnect the product from power via breaker or by unplugging it.
- Never connect this product to a dimmer pack or rheostat
- Never disconnect this product by pulling or tugging on the power cable.

Operation

- Do not operate this product if there is damage on the housing, lenses, or cables. Have the damaged parts replaced by an authorized technician at once.
- Do not cover the ventilation slots when operating to avoid internal overheating.
- The maximum ambient temperature is 113 °F (45 °C). Do not operate the product at higher temperatures.
- In the event of a serious operation problem, stop using this product immediately!



If your Chauvet product requires service, contact Chauvet Technical Support.

Expected LED Lifespan

LEDs gradually decline in brightness over time, primarily because of heat. LEDs that are arranged in clusters experience higher operating temperatures than single LEDs. For this reason, operating clustered LEDs at their fullest intensity significantly reduces the LEDs' lifespan. Under normal conditions, this lifespan is 40,000 to 50,000 hours. If extending this lifespan is vital, lower the operating temperature by improving the ventilation around the product, thus reducing the ambient temperature. In addition, limiting the overall projection intensity may extend the LEDs' lifespan.

2. INTRODUCTION

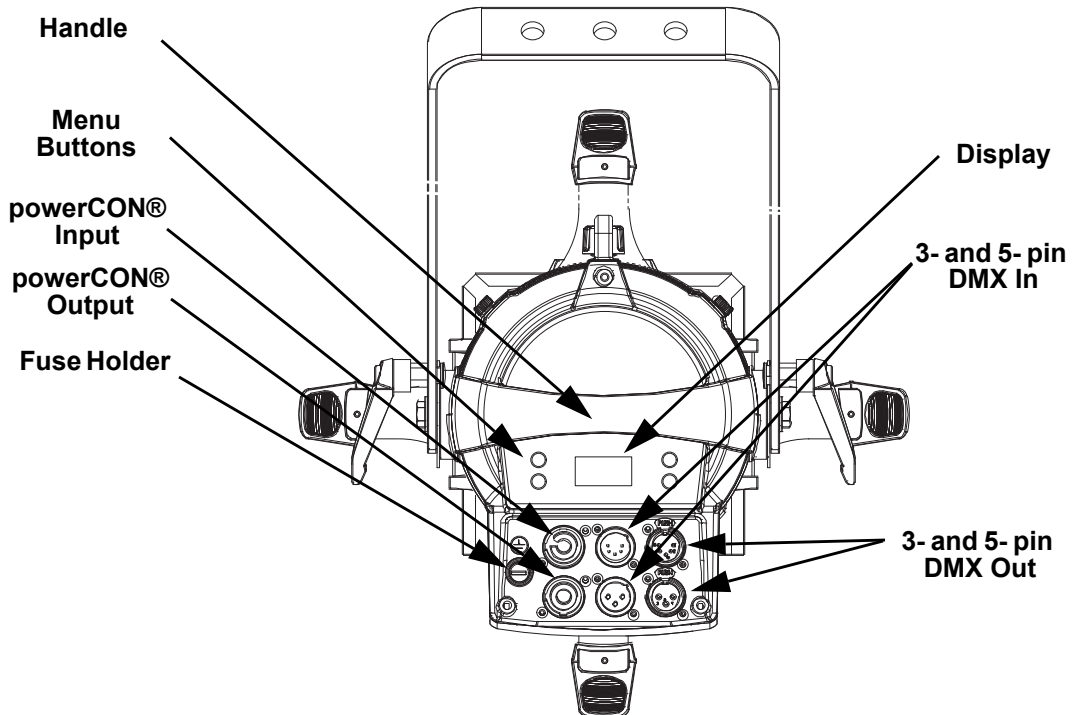
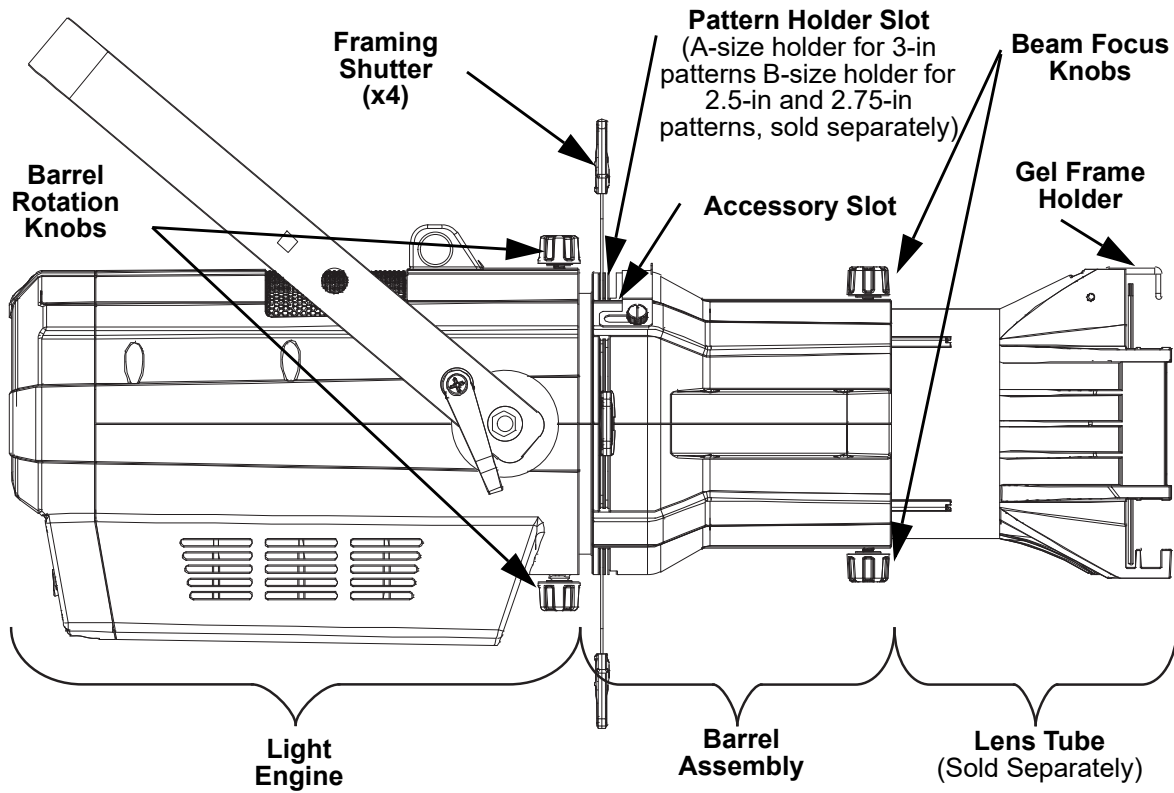
Description

The Ovation E-160WW delivers an excellent white light with a warm color temperature and a beautiful flat field. It also features standard beam shaping shutters, a gobo/effect slot and lens barrels that are interchangeable with other popular ERS fixtures. Selectable dimming curves ensure smooth fading cues that intermix well with the output of conventional theatre ellipsoidals.

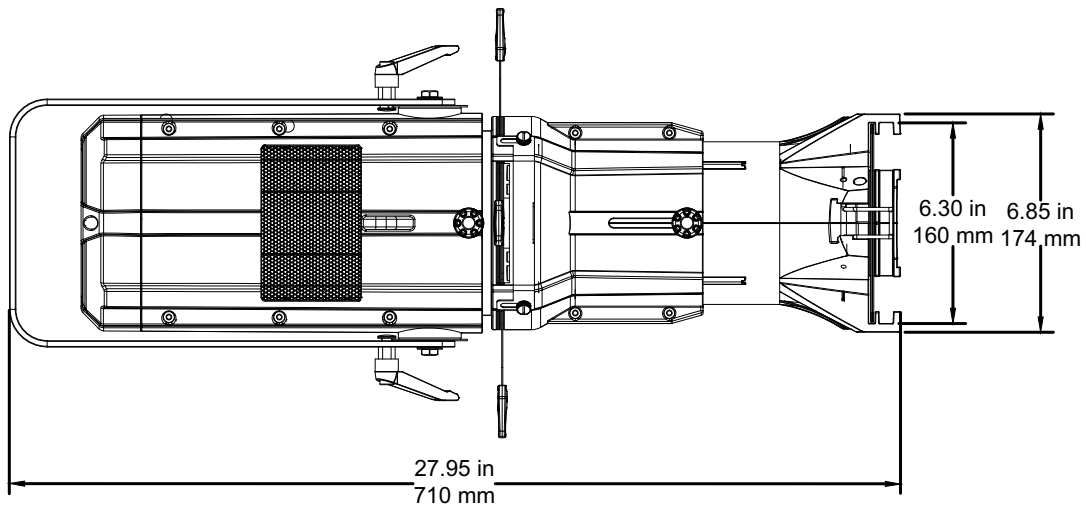
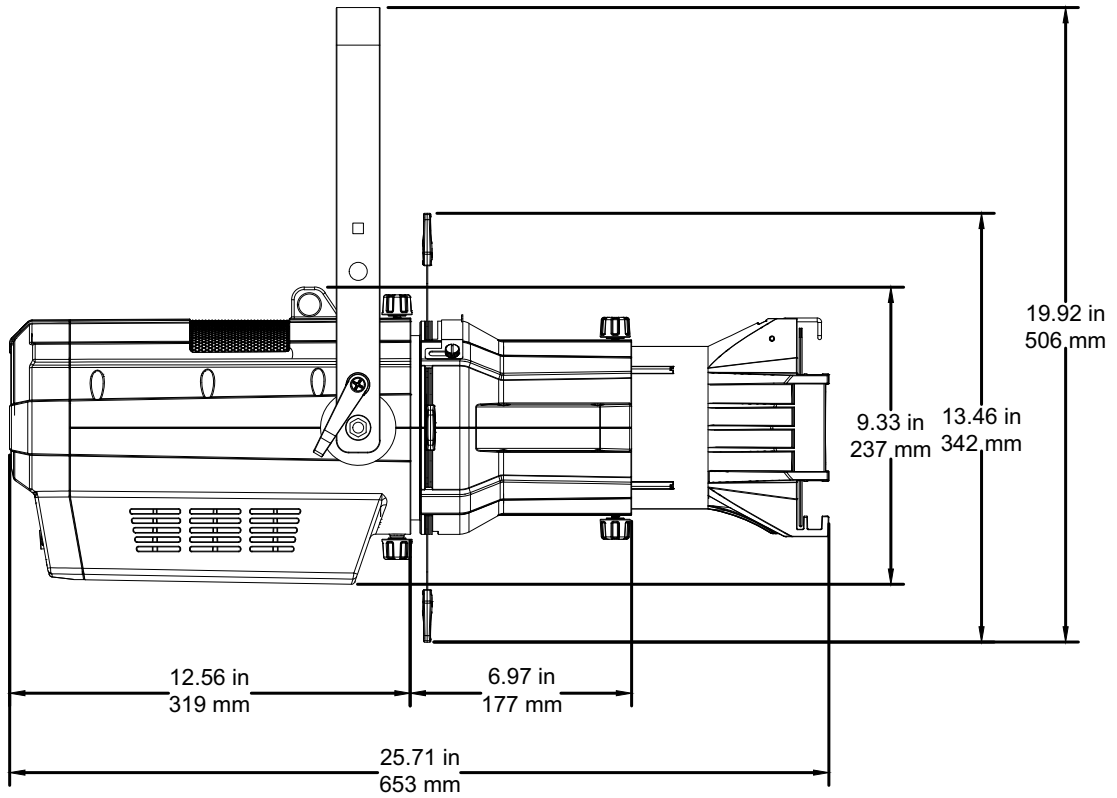
Features

- Warm white LED ERS-style lighting product
- Operating modes:
 - 1-channel: dimmer control
 - 2-channel: dimmer and fine dimmer control
 - 3-channel: dimmer, fine dimmer, and strobe control
 - 6-channel: dimmer, fine dimmer, strobe control, auto programs, auto speed, and dimmer mode
- Warm white ERS style fixture with output similar to a tungsten 575 W source
- Draws less than 100 W of power, a true electrical bill reducing fixture!
- Ultra smooth 16-bit dimming, and 8-bit dimming curves to complement any lighting scheme.
- Flat, even field of light for superior gobo projection
- RDM (Remote Device Management) for added flexibility
- Adjustable PWM (Pulse Width Modulation) to avoid flickering on camera
- Virtually silent operation for use in studio and theatre applications

Product Overview



Product Dimensions



3. SETUP

AC Power

Each Ovation E-160WW has an auto-ranging power supply that works with an input voltage range of 100 to 240 VAC, 50/60 Hz. To determine the power requirements for each Ovation E-160WW, refer to the label affixed to the product. You can also refer to the Technical Specifications chart in this manual.

The listed current rating indicates the maximum current draw during normal operation. For more information, download Sizing Circuit Breakers from the Chauvet website: www.chauvetprofessional.com.



- **Always connect the product to a protected circuit (circuit breaker or fuse). Make sure the product has an appropriate electrical ground to avoid the risk of electrocution or fire.**
- **To eliminate unnecessary wear and improve its lifespan, during periods of non-use completely disconnect the product from power via breaker or by unplugging it.**



Never connect the product to a rheostat (variable resistor) or dimmer circuit, even if the rheostat or dimmer channel serves only as a 0 to 100% switch.

AC Plug

The Ovation E-160WW comes with a power input cord terminated with a Seetronic Powerkon A connector on one end and an Edison plug on the other end (U.S. market). If the power input cord that came with your product has no plug, or if you need to change the plug, use the table below to wire the new plug.

Connection	Wire (U.S.)	Wire (Europe)	Screw Color
AC Live	Black	Brown	Yellow or Brass
AC Neutral	White	Blue	Silver
AC Ground	Green/Yellow	Green/Yellow	Green

Power Linking

The product supports power linking. You can power link up to 15 products at 120 V; up to 26 at 208 V; or up to 28 at 230 V. This product comes with a power input cord. Power linking cables are available from Chauvet for purchase.

Fuse Replacement

1. Disconnect this product from the power outlet.
2. Using a Phillips-head screwdriver, unscrew the fuse holder cap from the housing.
3. Remove the blown fuse and replace with another fuse of the same type and rating (T 3.15 A, 250 V).
4. Screw the fuse holder cap back in place and reconnect power.

DMX Linking

You can link the Ovation E-160WW to a DMX controller using a 3- or 5-pin DMX connection. If using other DMX-compatible products with this product, you can control each individually with a single DMX controller.

DMX Personalities

The Ovation E-160WW uses a 3- or 5-pin DMX data connection for the 1-, 2-, 3- and 6-channel DMX personalities.

- Refer to the Introduction for a brief description of each DMX personality.
- Refer to the Operation chapter to learn how to configure the Ovation E-160WW to work in these personalities.
- The DMX Values section provides detailed information regarding the DMX personalities.



If you are not familiar with or need more information about DMX standards, Master/Slave connectivity, or the DMX cables needed to link this product to a DMX controller, download the DMX Primer from the Chauvet website: www.chauvetprofessional.com.

Remote Device Management

Remote Device Management, or RDM, is a standard for allowing DMX-enabled devices to communicate bi-directionally along existing DMX cabling. Check the DMX controller's User Manual or with the manufacturer as not all DMX controllers have this capability. The Ovation E-260WW supports RDM protocol that allows feedback to make changes to menu map options.

Master/Slave Connectivity

The Master/Slave mode allows an Ovation E-160WW (the master) to control one or more Ovation E-160WW products (the slaves) without a DMX controller. One Ovation E-160WW becomes the master when running an auto or custom program, or by being in a Static mode.

You must configure each slave's control panel to operate in Slave mode. During Master/Slave operation, the slaves will operate in unison with the master.



DO NOT connect a DMX controller to products operating in Master/Slave mode. The DMX controller signals may interfere with the signals from the master.



- The [Operation](#) section of this manual provides detailed instructions on how to configure the master and slaves.
- If you are not familiar with, or need more information about, DMX standards, or the DMX cables needed to link this product to a DMX controller, download the DMX Primer from the Chauvet website: www.chauvetprofessional.com.

Mounting

Before mounting the product, read and follow the safety recommendations indicated in the Safety Notes. For our CHAUVET Professional line of mounting clamps, go to <http://trusst.com/products/>.

Orientation

Always mount this product in a safe position, making sure there is adequate room for ventilation, configuration, and maintenance.

Rigging

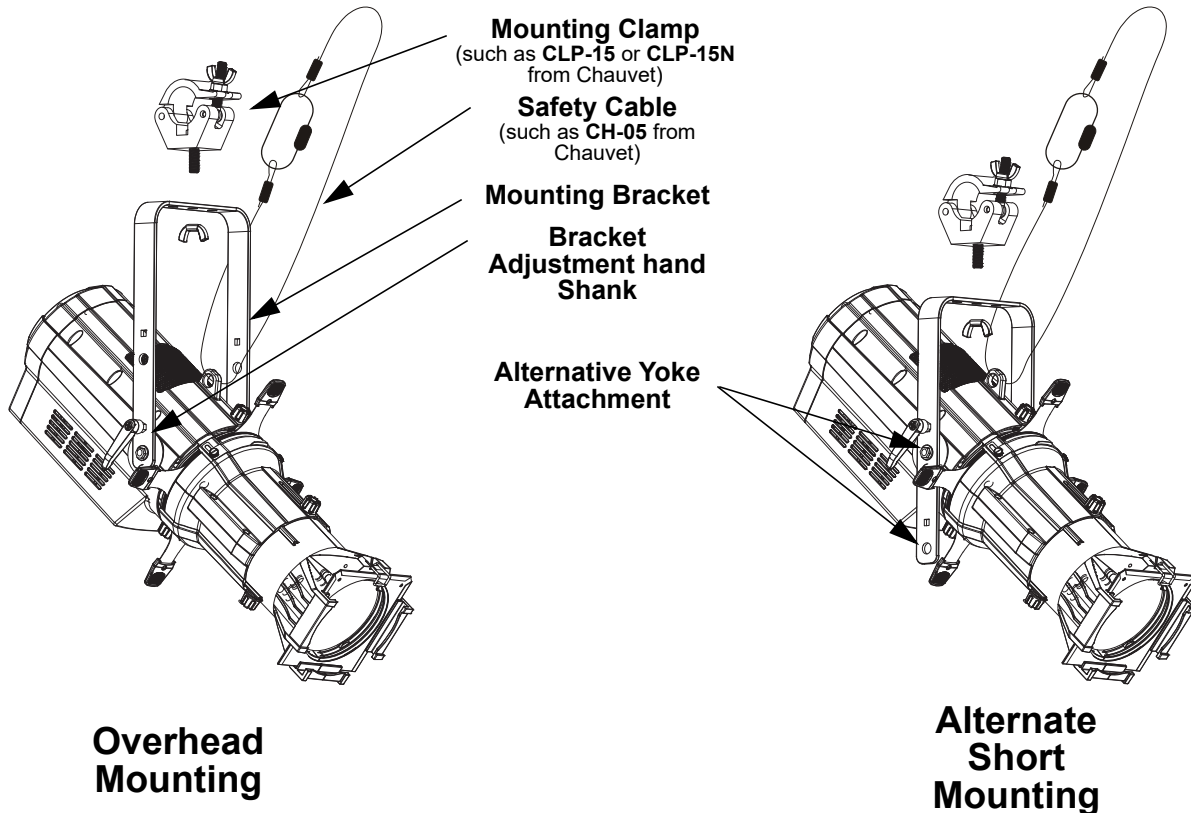
Chauvet recommends using the following general guidelines when mounting this product.

- Before deciding on a location for the product, make sure there is easy access to the product for maintenance and programming purposes.
- Make sure that the structure onto which you are mounting the product can support the product's weight. See the [Technical Specifications](#) for weight information.
- When mounting the product overhead, always use a safety cable. Mount the product securely to a rigging point, whether an elevated platform or a truss.
- When rigging the product onto a truss, use a mounting clamp of appropriate weight capacity.
- When power linking multiple products, mount the products close enough for power linking cables to reach.
- The bracket adjustment knobs allow for directional adjustment when aiming the product to the desired angle. Only loosen or tighten the bracket knobs manually. Using tools could damage the knobs.

Procedure

The Ovation E-160WW comes with a hanging/mounting bracket to which you can attach mounting clamps. The bracket has 13-mm holes, which are appropriate for this purpose. You must supply your own mounting clamps, so be sure the clamps are capable of supporting the weight of this product. Use at least one mounting point per product where necessary. For the CHAUVET Professional line of mounting clamps, go to <http://www.trusst.com/products>.

Mounting Diagram



Manual Beam Focus Control

The Ovation E-160WW has a manual focus, which is adjusted as follows:

1. Locate the beam focus knobs at the top and bottom of the barrel assembly
2. Loosen the knobs by turning them counter-clockwise.
3. Slide the lens tube forward or backward until you achieve the desired focus or beam edge.
4. Tighten the knobs by turning them clockwise, which lock the lens tube's position.



To avoid changing menu settings while focusing the Ovation E-260WW, press and hold the <ENTER> button for 3 seconds. This will put the product in "Focus Mode" by increasing the intensity to 100%. To exit out of focus mode, press <MENU>.

Rotating the Barrel Assembly

The Ovation E-160WW allows manual rotation of the barrel assembly, as follows.

1. Locate the barrel rotation knobs at the top and bottom of the light engine.
2. Loosen the knobs by turning them counter-clockwise.
 - **Note:** Do not remove the knobs.
3. Rotate the barrel to the desired position, up to 25° in either direction from the centered position.
4. Tighten the knobs by turning them clockwise, which lock the barrel's position.

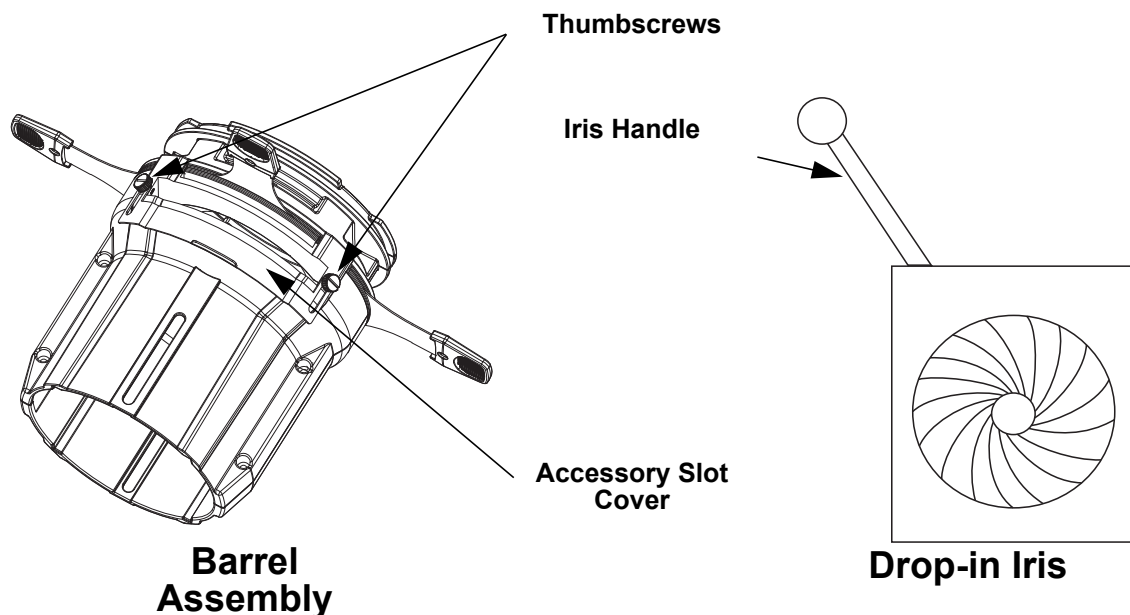


Make sure the barrel assembly is oriented with the pattern holder and accessory slots at the top of the product.

Accessory Slot

The Ovation E-160WW has an accessory slot, which holds a drop-in iris, a motorized pattern device, or various other optional accessories (sold separately).

1. Loosen the thumbscrews on the slot cover.
 - **Note:** Do not remove the thumbscrews.
2. Slide to cover forward.
3. Insert an accessory.
 - **Note:** Make sure to insert the accessory correctly. For example, make sure the iris handle extends upward from the slot.
4. Slide the cover back. Make sure any handles or adjustment tools that stick out the top are able to function correctly.
5. Tighten the thumbscrews to secure the cover.



Make sure the barrel assembly is oriented with the pattern holder and accessory slots at the top of the product.

4. OPERATION

Control Panel Operation

Button	Function
<MENU>	Exits from the current menu or function
<ENTER>	Enables the currently displayed menu or sets the currently selected value in to the current function
<UP>	Navigates upward through the menu list or increases the numeric value when in a function
<DOWN>	Navigates downward through the menu list or decreases the numeric value when in a function

Control Options

Set the Ovation E-160WW starting address in the 001-512 DMX range. This enables control of up to 46 products in the 6-channel 6CH personality.

Programming

Refer to the Menu Map to understand the menu options. The menu map shows the main level and a variable number of programming levels for each option.

- To go to the desired main level, press <MENU> repeatedly until the option shows on the display. Press <ENTER> to select. This will take you to the first programming level for that option.
- To select an option or value within the current programming level, press <UP> or <DOWN> until the option shows on the display. Press <ENTER> to select. In this case, if there is another programming level, you will see that first option, or you will see the selected value.
- Press <MENU> repeatedly to exit to the previous main level.

Menu Map

Main Level	Programming Levels	Description	
DMX Address	001–512	Selects DMX address (highest channel restricted to personality chosen).	
DMX Channel	1 Ch	1-channel: dimmer	
	2 Ch	2-channel: 16-bit dimmer	
	3 Ch	3-channel: 16-bit dimmer, strobe	
	6 Ch	6-channel: 16-bit dimmer, strobe, auto programs, auto speed, dimmer mode	
Static	Dimmer	0–255	Sets the intensity of the light output
	Strobe		Sets the strobe rate
Auto Show	Auto 1	1–100	Selects automatic programs and speed
	Auto 2		
	Auto 3		
	Auto 4		
Master/Slave Mode	Master	Master mode	
	Slave	DMX slave mode	
Dimmer Mode	Off	Linear dimming	
	Dimmer 1–3	Dimming curves: Dimmer 1 (fast) to Dimmer 3 (slow)	
LED Frequency	600Hz	PWM frequency	
	1200Hz		
	2000Hz		
	4000Hz		
	6000Hz		
	25KHz		

Main Level	Programming Levels		Description
Fan Mode	Auto		Sets the fan to auto mode
	On		Sets the fan to always on
	Off		Sets the fan to always off
	Silent		Sets the fan to silent
Back Light	On		Display backlight always on
	10S		Turns off display backlight after 10 sec of inactivity
	20S		Turns off display backlight after 20 sec of inactivity
	30S		Turns off display backlight after 30 sec of inactivity
Information	Fixture Hours	<_ _ _ _ H>	Shows total product hours
	Version	<V _ . _>	Shows installed software version
	UID	-----	Shows product ID

Configuration (Standalone)

Use standalone configuration to operate the product without a DMX controller.

Static Mode

The Static mode allows for permanent dimmer and strobe presets without a DMX controller.

1. Go to the **Static** main level.
2. Select **Dimmer** (for intensity control) or **Strobe** (For Strobe Rate).
3. Select the desired value (**0–255**).

Focus Mode

Focus mode allows for focusing of the Ovation E-160WW without changing any menu settings.

1. Press and hold **<ENTER>** for 3 seconds. The intensity will increase to 100%.
2. Press **<MENU>** to exit to previous settings.

Auto Programs

Auto programs allow for dynamic blinder effects without a DMX controller.

1. Go to the **Auto Show** main level
2. Select the desired auto (**Auto 1–4**).
3. Select the desired speed (**1–100**).



The auto programs cannot be edited.

Master/Slave

The Master/Slave mode allows a group of Ovation E-160WW products (the slaves) to simultaneously duplicate the output of another Ovation E-160WW (the master) without a DMX controller.

To set each of the slaves:

1. Go to the **Master/Slave** main level
2. Select **Slave**.

To set the master:

1. Go to the **Master/Slave** main level
2. Select **Master**.
3. Select an auto program as explained in Auto Programs, or a static setting.



- The master is the one that runs a program whether in Auto or Static mode.
- Do not connect a DMX controller to the products configured for Master/Slave operation. The DMX controller may interfere with signals from the master.
- The master should be the first product in the daisy chain.

Dimmer Profiles

This setting determines how fast the output of the Ovation E-160WW changes when you modify the output value. This setting provides four different options to simulate the dimming curve of an incandescent lighting product.

- Go to the **Dimmer Mode** main level.
- Select a dimmer curve (**OFF**, **Dimmer 1**, **Dimmer 2**, or **Dimmer 3**).



- **OFF**: The output is proportional (linear) to the dimmer channel value.
- **Dimmer 1-3**: The output follows the dimmer value based on the corresponding dimmer curve, DIM1 being the fastest.

LED Frequency

This option changes the Pulse Width Modulation (PWM) frequency of the LEDs on the Ovation E-160WW.

1. Go to the **LED Frequency** main level.
2. Select PWM Frequency (**600Hz**, **1200Hz**, **2000Hz**, **4000Hz**, **6000Hz**, or **25Khz**).

Fan Mode

This setting determines how the fan speed on the Ovation E-160WW is set.

1. Go to the **Fan Mode** main level
2. Select **Auto** (fan speed will increase or decrease based on product temperature), **Off** (fan will stay off. Product output will decrease based on product temperature), **Silent** (fan will maintain a constant silent speed), or **On** (fan speed will always be at maximum).

Back Light

This setting allows for selection of the amount of time the backlight on the Ovation E-160WW's display stays on after the last button is pressed on the control panel.

1. Go to the **Back Light** main level.
2. Select **On** (remains on), **10S** (10 seconds), **20S** (20 seconds), or **30S** (seconds).

System Information

This option displays the total number of hours the product has run, the installed software version, and the product's UID.

1. Go to the **Information** main level.
2. Select **Fixture Hours**, **Version**, or **UID**.

Configuration (DMX)

Use DMX configurations to operate the product with a DMX controller.

DMX Personalities

This setting allows you to choose a particular DMX personality.

1. Go to the **DMX Channel** main level.
2. Select the desired personality (**1 Ch**, **2 Ch**, **3 Ch**, or **6 Ch**).



- See the [DMX Control](#) section for the highest starting address you can select for each personality.
- Make sure that the starting addresses on the various products do not overlap due to the new personality setting.

OPERATION

DMX Control

In this mode, each product will respond to a unique starting address from the DMX controller. All products with the same starting address will respond in unison.

1. Select a DMX personality as shown in [DMX Personalities](#).
2. Set the starting address:
 - a. Go to **DMX Address** main level.
 - b. Select the starting address (**001–512**).

The highest recommended starting address for each DMX mode is as follows:

DMX Personality	DMX Address
1	512
2	511
3	510
6	507

DMX Values

6 Ch

Channel	Function	Value	Percent/Setting
1	Dimmer	000 ⇔ 255	0–100%
2	Fine Dimmer	000 ⇔ 255	0–100%
3	Strobe	000 ⇔ 010 011 ⇔ 255	No function Strobe, slow to fast
4	Auto Program	000 ⇔ 010 011 ⇔ 070 071 ⇔ 130 131 ⇔ 190 191 ⇔ 255	No function Auto 1, slow to fast Auto 2, slow to fast Auto 3, slow to fast Auto 4, slow to fast
5	Auto Speed	000 ⇔ 255	Slow to fast
6	Dimmer Speed	000 ⇔ 051 052 ⇔ 101 102 ⇔ 152 153 ⇔ 203 204 ⇔ 255	Preset dimmer speed from display menu Dimmer speed mode off Dimmer speed mode 1 (fastest) Dimmer speed mode 2 Dimmer speed mode 3 (slowest)

3 Ch

Channel	Function	Value	Percent/Setting
1	Dimmer	000 ⇔ 255	0–100%
2	Fine Dimmer	000 ⇔ 255	0–100%
3	Strobe	000 ⇔ 010 011 ⇔ 255	No function Strobe, slow to fast

2 Ch

Channel	Function	Value	Percent/Setting
1	Dimmer	000 ⇔ 255	0–100%
2	Fine Dimmer	000 ⇔ 255	0–100%

1 Ch

Channel	Function	Value	Percent/Setting
1	Dimmer	000 ⇔ 255	0–100%

5. TECHNICAL INFORMATION

Product Maintenance

To maintain optimum performance and minimize wear, clean this product frequently. Usage and environment are contributing factors in determining the cleaning frequency.

Clean this product at least twice a month. Dust build-up reduces light output performance and can cause overheating. This can lead to reduced light source life and increased mechanical wear.

To clean the product:

1. Unplug the product from power.
2. Wait until the product is at room temperature.
3. Use a vacuum (or dry compressed air) and a soft brush to remove dust collected on the external vents.
4. Clean all transparent surfaces with a mild soap solution, ammonia-free glass cleaner, or isopropyl alcohol.
5. Apply the solution directly to a soft, lint free cotton cloth or a lens cleaning tissue.
6. Softly drag any dirt or grime to the outside of the transparent surface.
7. Gently polish the transparent surfaces until they are free of haze and lint.



Always dry the transparent surfaces carefully after cleaning them.

6. TECHNICAL SPECIFICATIONS

Dimensions and Weight

Length	Width	Height	Weight
19.49 in (495 mm)	11.22 in (285 mm)	19.17 in (487 mm)	14.2 lb (6.4 kg)

Note: Dimensions in inches rounded to the nearest hundredth.

Power

Power Supply Type	Range	Voltage Selection
Switching (internal)	100 to 240 VAC, 50/60 Hz	Auto-ranging

Parameter	120 V, 60 Hz	230 V, 50 Hz
Consumption	103 W	102 W
Operating Current	0.9 A	0.5 A
Power linking current (products)	13.6 A (15 products)	13.6 A (28 products)
Fuse	T 3.15 A, 250 V	T 3.15 A, 250 V

Power I/O	U.S./Worldwide	UK/Europe
Power input connector	Neutrik powerCON A	Neutrik powerCON A
Power output connector	Neutrik powerCON B	Neutrik powerCON B
Power Cord plug	Edison (U.S.)	Local Plug

Light Source

Type	Power	Lifespan
LED	88 W	50,000 hours

Color	Quantity	Current
Warm White	1	2.3 A

Photometrics

Parameter	14° Lens		19° Lens		26° Lens		36° Lens		50° Lens		15°~30° Lens		25°~50° Lens	
	Narrow	Wide	Narrow	Wide	Narrow	Wide	Narrow	Wide	Narrow	Wide	Narrow	Wide	Narrow	Wide
Beam Angle	8°	12°	16°	20°	31°	10°	15°	18°	24°					
Field Angle	14°	18°	25°	33°	50°	16°	29°	28°	48°					
Illuminance @ 5 m	10,814 lux	6,253 lux	3,189 lux	1,918 lux	743 lux	11,201 lux	3,739 lux	3,699 lux	1,424 lux					
Lumens	N/a	5,675	5,458	5,319	5,382									N/a

Thermal

Maximum External Temperature	Cooling System
113 °F (45 °C)	Convection

DMX

I/O Connector	Channel Range
3- and 5-pin XLR	1, 2, 3 or 6

Ordering

Product Name	Item Code	UPC Number
Ovation E-160WW	03121237	781462215859

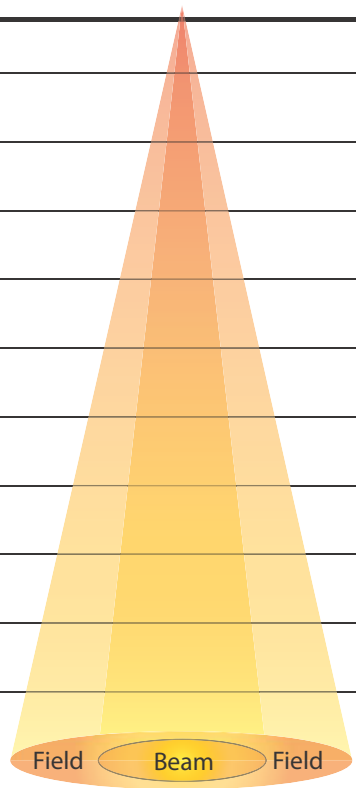


UL 1573
CSA C22.2 No. 166
E113093

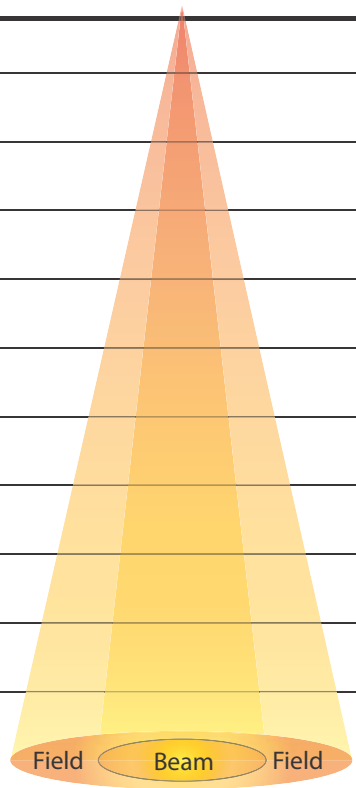


Photometrics Chart

Distance	Light Source- 14°		Footcandle
	Beam Diameter	Field Diameter	
15 ft	2.10 ft	3.68 ft	1,202
20 ft	2.80 ft	4.91 ft	676
30 ft	4.20 ft	7.37 ft	300
40 ft	5.59 ft	9.82 ft	169
50 ft	6.09 ft	12.28 ft	108
75 ft	10.49 ft	18.42 ft	48
100 ft	13.99 ft	24.56 ft	27
125 ft	17.48 ft	30.70 ft	17
150 ft	20.98 ft	36.84 ft	12

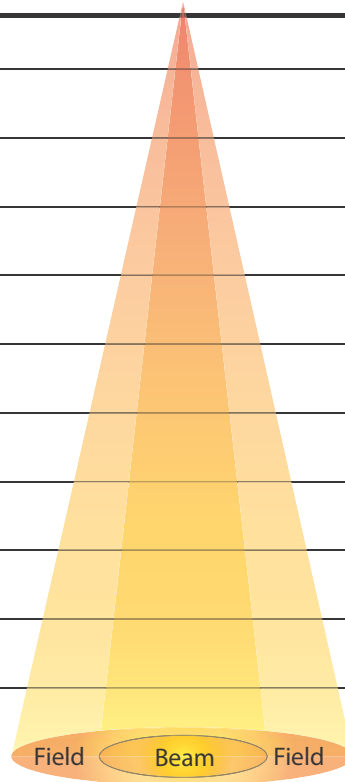


Distance	Light Source- 14°		Lux
	Beam Diameter	Field Diameter	
1 m	0.14 m	0.25 m	270,350
2 m	0.28 m	0.49 m	67,588
5 m	0.70 m	1.23 m	10,814
8 m	1.12 m	1.96 m	4,224
10 m	1.40 m	2.46 m	2,704
15 m	2.10 m	3.68 m	1,202
20 m	2.80 m	4.91 m	676
25 m	3.50 m	6.14 m	433
30 m	4.20 m	7.37 m	300

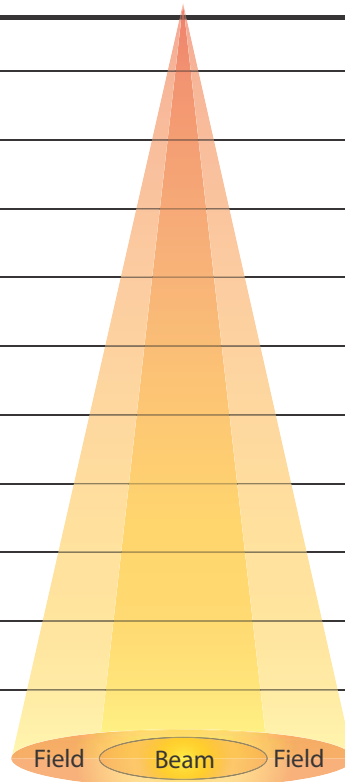


Photometrics Chart

Light Source 19°			
Distance	Beam Diameter	Field Diameter	Footcandle
15 ft	3.15 ft	4.75 ft	695
20 ft	4.20 ft	6.34 ft	391
30 ft	6.31 ft	9.50 ft	174
40 ft	8.41 ft	12.67 ft	98
50 ft	10.51 ft	15.84 ft	63
75 ft	15.77 ft	23.76 ft	28
100 ft	21.02 ft	31.68 ft	16
125 ft	26.28 ft	39.60 ft	10
150 ft	31.53 ft	47.52 ft	7

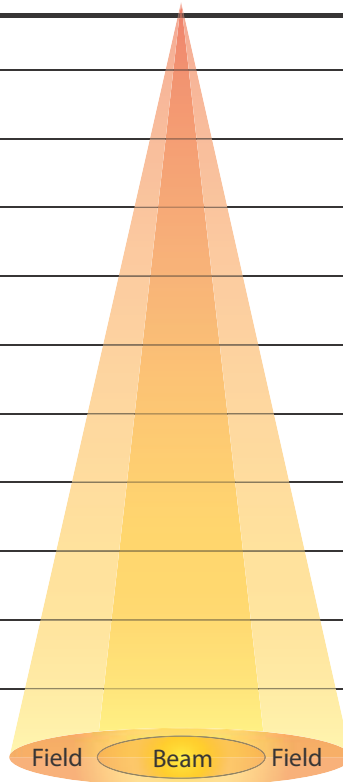


Light Source 19°			
Distance	Beam Diameter	Field Diameter	Lux
1 m	0.21 m	0.32 m	156,325
2 m	0.42 m	0.63 m	39,081
5 m	1.05 m	1.58 m	6,253
8 m	1.68 m	2.53 m	2,443
10 m	2.10 m	3.17 m	1,563
15 m	3.15 m	4.75 m	695
20 m	4.20 m	6.34 m	391
25 m	5.26 m	7.92 m	250
30 m	6.31 m	9.50 m	174

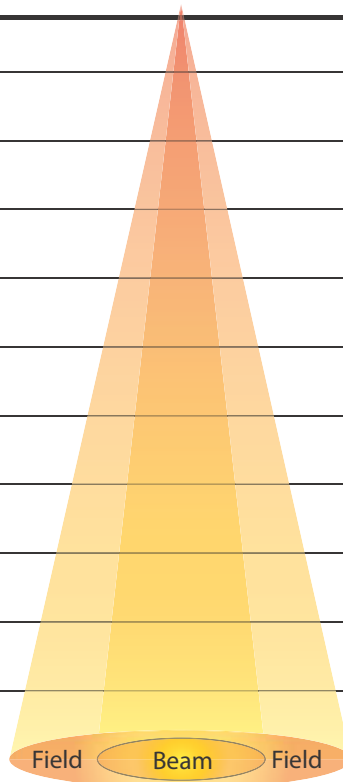


Photometrics Chart

Light Source 26°			
Distance	Beam Diameter	Field Diameter	Lux
1 m	0.28 m	0.44 m	79,725
2 m	0.56 m	0.89 m	19,931
5 m	1.41 m	2.22 m	3,189
8 m	2.25 m	3.55 m	1,246
10 m	2.81 m	4.43 m	797
15 m	4.22 m	6.65 m	354
20 m	5.62 m	8.87 m	199
25 m	7.03 m	11.08 m	128
30 m	8.43 m	13.30 m	89

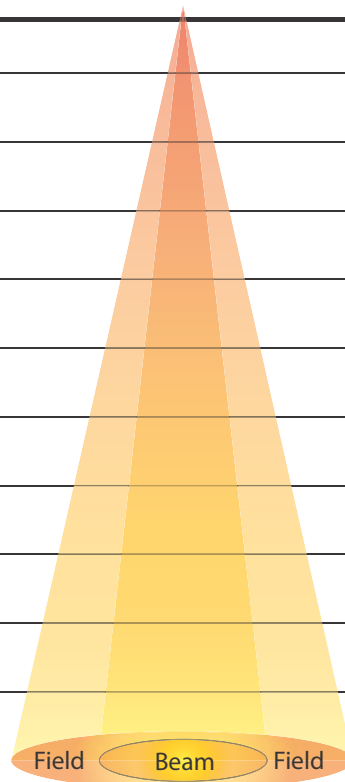


Light Source 26°			
Distance	Beam Diameter	Field Diameter	Footcandle
15 ft	4.22 ft	6.65 ft	354
20 ft	5.62 ft	8.87 ft	199
30 ft	8.43 ft	13.30 ft	89
40 ft	11.24 ft	17.74 ft	50
50 ft	14.05 ft	22.17 ft	32
75 ft	21.08 ft	33.25 ft	14
100 ft	28.11 ft	44.34 ft	8
125 ft	35.14 ft	55.42 ft	5
150 ft	42.16 ft	66.51 ft	4

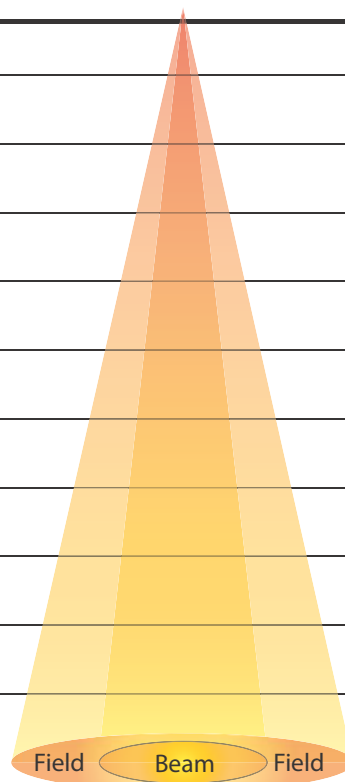


Photometrics Chart

Light Source 36°			
Distance	Beam Diameter	Field Diameter	Footcandle
15 ft	5.29 ft	8.89 ft	213
20 ft	7.05 ft	11.85 ft	120
30 ft	10.58 ft	17.77 ft	53
40 ft	14.11 ft	23.70 ft	30
50 ft	17.63 ft	29.62 ft	19
75 ft	26.45 ft	44.43 ft	9
100 ft	35.27 ft	59.24 ft	5
125 ft	44.08 ft	74.05 ft	3
150 ft	52.90 ft	88.86 ft	2

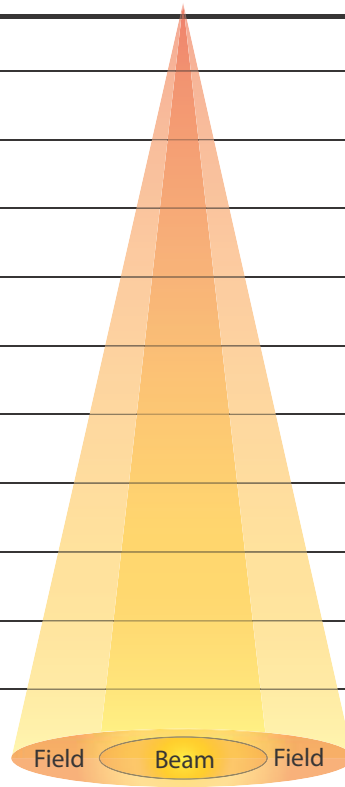


Light Source 36°			
Distance	Beam Diameter	Field Diameter	Lux
1 m	0.35 m	0.59 m	47,950
2 m	0.71 m	1.18 m	11,988
5 m	1.76 m	2.96 m	1,918
8 m	2.82 m	4.74 m	749
10 m	3.53 m	5.92 m	480
15 m	5.29 m	8.89 m	213
20 m	7.05 m	11.85 m	120
25 m	8.82 m	14.81 m	77
30 m	10.58 m	17.77 m	53

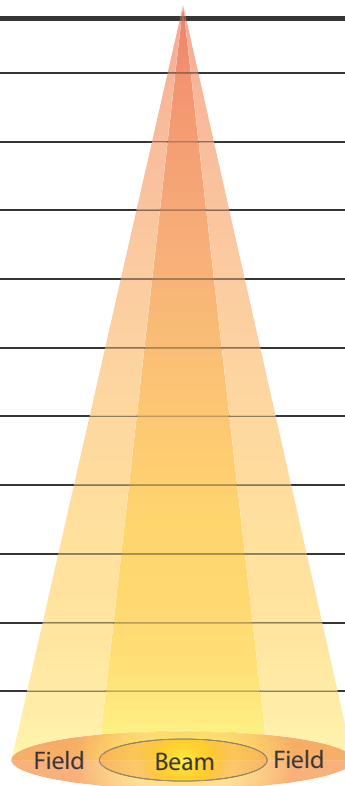


Photometrics Chart

	Light Source 50°			
Distance	Beam Diameter	Field Diameter		Footcandle
15 ft	8.32 ft	13.99 ft		83
20 ft	11.09 ft	18.65 ft		46
30 ft	16.64 ft	27.98 ft		21
40 ft	22.19 ft	37.30 ft		12
50 ft	27.73 ft	46.63 ft		7
75 ft	41.60 ft	69.95 ft		3
100 ft	55.46 ft	93.26 ft		2
125 ft	69.33 ft	116.58 ft		1
150 ft	83.20 ft	139.89 ft		1

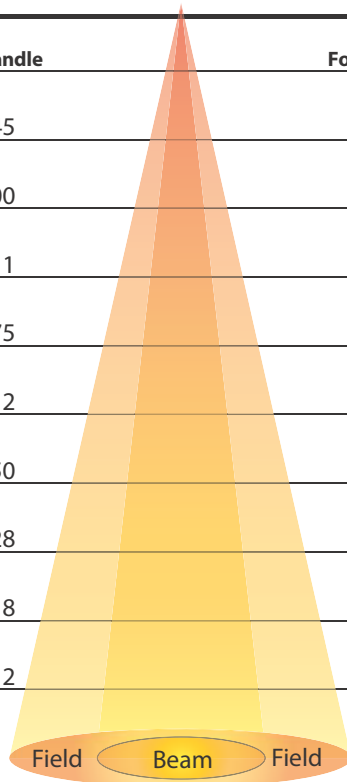


	Light Source 50°			
Distance	Beam Diameter	Field Diameter		Lux
1 m	0.55 m	0.93 m		18,575
2 m	1.11 m	1.87 m		4,644
5 m	2.77 m	4.66 m		743
8 m	4.44 m	7.46 m		290
10 m	5.55 m	9.33 m		186
15 m	8.32 m	13.99 m		83
20 m	11.09 m	18.65 m		46
25 m	13.87 m	23.32 m		30
30 m	16.84 m	27.98 m		21

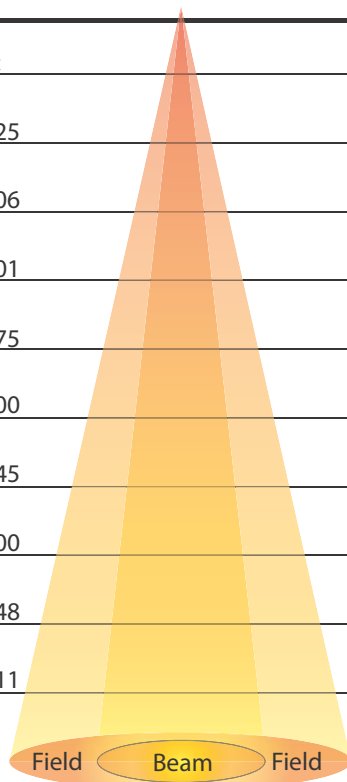


Photometrics Chart

Distance	Narrow		Zoomable Light Source 15°~30°		Wide	
	Beam Diameter	Field Diameter	Footcandle	Footcandle	Beam Diameter	Field Diameter
15 ft	2.62 ft	4.22 ft	1,245	415	3.95 ft	7.76 ft
20 ft	3.50 ft	5.62 ft	700	234	5.27 ft	10.34 ft
30 ft	5.25 ft	8.43 ft	311	104	7.90 ft	15.52 ft
40 ft	7.00 ft	11.24 ft	175	58	10.53 ft	20.69 ft
50 ft	8.75 ft	14.05 ft	112	37	13.17 ft	25.86 ft
75 ft	13.12 ft	21.08 ft	50	17	19.75 ft	38.79 ft
100 ft	17.50 ft	28.11 ft	28	9	26.33 ft	51.72 ft
125 ft	21.87 ft	35.14 ft	18	6	32.91 ft	64.65 ft
150 ft	26.25 ft	42.16 ft	12	4	39.50 ft	77.59 ft

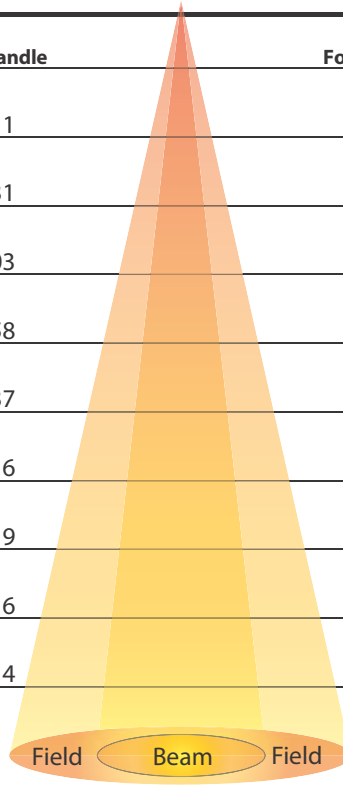


Distance	Narrow		Zoomable Light Source 15°~30°		Wide	
	Beam Diameter	Field Diameter	Lux	Lux	Beam Diameter	Field Diameter
1 m	0.17 m	0.28 m	280,025	93,475	0.26 m	0.52 m
2 m	0.35 m	0.56 m	70,006	23,369	0.53 m	1.03 m
5 m	0.87 m	1.41 m	11,201	3,739	1.32 m	2.59 m
8 m	1.40 m	2.25 m	4,375	1,461	2.11 m	4.14 m
10 m	1.75 m	2.81 m	2,800	935	2.63 m	5.17 m
15 m	2.62 m	4.22 m	1,245	415	3.95 m	7.76 m
20 m	3.50 m	5.62 m	700	234	5.27 m	10.34 m
25 m	4.37 m	7.03 m	448	150	6.58 m	12.93 m
30 m	5.25 m	8.43 m	311	104	7.90 m	15.52 m

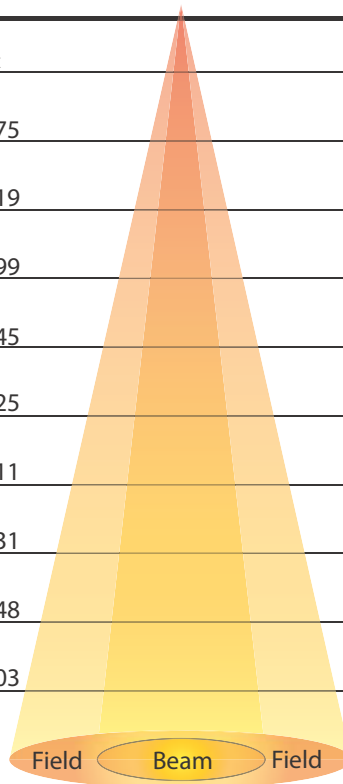


Photometrics Chart

Distance	Narrow		Zoomable Light Source 25°~50°		Wide	
	Beam Diameter	Field Diameter	Footcandle	Footcandle	Beam Diameter	Field Diameter
15 ft	4.75 ft	7.48 ft	411	158	6.38 ft	13.36 ft
20 ft	6.34 ft	9.97 ft	231	89	8.50 ft	17.81 ft
30 ft	9.50 ft	14.96 ft	103	40	12.75 ft	26.71 ft
40 ft	12.67 ft	19.95 ft	58	22	17.00 ft	35.62 ft
50 ft	15.84 ft	24.93 ft	37	14	21.26 ft	44.52 ft
75 ft	23.76 ft	37.40 ft	16	6	31.88 ft	66.78 ft
100 ft	31.68 ft	49.87 ft	9	4	42.51 ft	89.05 ft
125 ft	39.60 ft	62.33 ft	6	2	53.14 ft	111.31 ft
150 ft	47.52 ft	74.80 ft	4	2	63.77 ft	133.57 ft



Distance	Narrow		Zoomable Light Source 25°~50°		Wide	
	Beam Diameter	Field Diameter	Lux	Lux	Beam Diameter	Field Diameter
1 m	0.32 m	0.50 m	92,475	35,600	0.43 m	0.89 m
2 m	0.63 m	1.00 m	23,119	8,900	0.85 m	1.78 m
5 m	1.58 m	2.49 m	3,699	1,424	2.13 m	4.45 m
8 m	2.53 m	3.99 m	1,445	556	3.40 m	7.12 m
10 m	3.17 m	4.99 m	925	356	4.25 m	8.90 m
15 m	4.75 m	7.48 m	411	158	6.38 m	13.36 m
20 m	6.34 m	9.97 m	231	89	8.50 m	17.81 m
25 m	7.92 m	12.47 m	148	57	10.63 m	22.26 m
30 m	9.50 m	14.96 m	103	40	12.75 m	26.71 m



RETURNS

RETURNS

Send the product prepaid, in the original box, and with the original packing and accessories. Chauvet will not issue call tags.

Call Chauvet and request a Return Merchandise Authorization (RMA) number before shipping the product. Be prepared to provide the model number, serial number, and a brief description of the cause(s) for the return.

Clearly label the package with an RMA number. Chauvet will refuse any product returned without an RMA number.



Write the RMA number on a properly affixed label. DO NOT write the RMA number directly on the box.

Once you have the RMA number, provide the following information on a piece of paper and place it inside the box:

- Your name
- Your address
- Your phone number
- RMA number
- A brief description of the problem

Be sure to pack the product properly. Any shipping damage resulting from inadequate packaging will be your responsibility. FedEx packing or double-boxing are recommended.



Chauvet reserves the right to use its own discretion to repair or replace returned product(s).

CONTACT US

General Information	Technical Support
Chauvet World Headquarters	
Address: 5200 NW 108th Ave. Sunrise, FL 33351 Voice: (954) 577-4455 Fax: (954) 929-5560 Toll Free: (800) 762-1084	Voice: (844) 393-7575 Fax: (954) 756-8015 Email: chauvetcs@chauvetlighting.com Website: www.chauvetprofessional.com
Chauvet Europe Ltd	
Address: Unit 1C Brookhill Road Industrial Estate Pinxton, Nottingham, UK NG16 6NT Voice: +44 (0) 1773 511115 Fax: +44 (0) 1773 511110	Email: UKtech@chauvetlighting.eu Website: www.chauvetprofessional.eu
Chauvet Europe BVBA	
Address: Stokstraat 18 9770 Kruishoutem Belgium Voice: +32 9 388 93 97	Email: BNLtech@chauvetlighting.eu Website: www.chauvetprofessional.eu
Chauvet France	
Address: 3, Rue Ampère 91380 Chilly-Mazarin France Voice: +33 1 78 85 33 59	Email: FRtech@chauvetlighting.fr Website: www.chauvetprofessional.eu
Chauvet Germany	
Address: Bruno-Bürgel-Str. 11 28759 Bremen Germany Voice: +49 421 62 60 20	Email: DEtech@chauvetlighting.de Website: www.chauvetprofessional.eu
Chauvet Mexico	
Address: Av. de las Partidas 34 - 3B (Entrance by Calle 2) Zona Industrial Lerma Lerma, Edo. de México, CP 52000 Voice: +52 (728) 690-2010	Email: servicio@chauvet.com.mx Website: www.chauvetprofessional.mx

Visit the applicable website above to verify our contact information and instructions to request support. Outside the U.S., United Kingdom, Ireland, Mexico, France, Germany, or Benelux, contact the dealer of record.