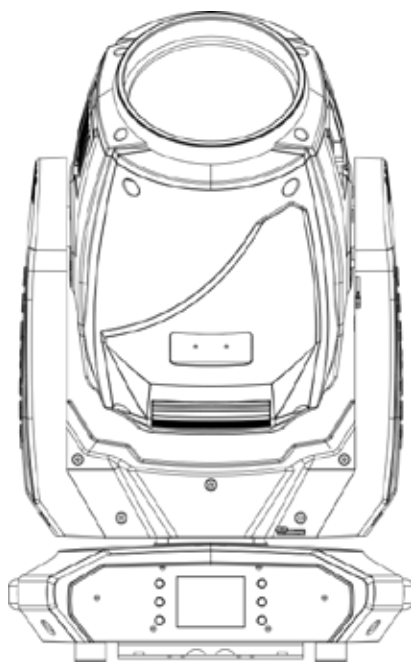


# MAVERICK

## MK1 HYBRID

### Quick Reference Guide

English	EN
Español	ES
Français	FR
Nederlands	NL



  
**CHAUVET**  
PROFESSIONAL

## About This Guide

The Maverick MK1 Hybrid Quick Reference Guide (QRG) has basic product information such as connection, mounting, menu options, and DMX values. Download the User Manual from [www.chauvetprofessional.com](http://www.chauvetprofessional.com) for more details.

## Disclaimer

The information and specifications contained in this QRG are subject to change without notice.

## Safety Notes

- DO NOT open this product. It contains no user-serviceable parts.
- To eliminate unnecessary wear and improve its lifespan, during periods of non-use completely disconnect the product from power via breaker or by unplugging it.
- DO NOT look at the light source when the product is on.
- CAUTION: This product's housing may be hot when lights are operating.
- Mount this product in a location with adequate ventilation, at least 20 in (50 cm) from adjacent surfaces.
- DO NOT leave any flammable material within 50 cm of this product while operating or connected to power.
- CAUTION: When transferring product from extreme temperature environments, (e.g. cold truck to warm humid ballroom) condensation may form on the internal electronics of the product. To avoid causing a failure, allow product to fully acclimate to the surrounding environment before connecting it to power.
- The product is not intended for permanent installation.
- USE a safety cable when mounting this product overhead.
- DO NOT operate this product outdoors or in any location where dust, excessive heat, water, or humidity may affect it. (IP20)
- DO NOT operate this product if the housing, lenses, or cables appear damaged.
- DO NOT connect this product to a dimmer or rheostat.
- ONLY connect this product to a grounded and protected circuit.
- ONLY use the handles or yoke to carry this product. Do not carry by the moving head.
- In the event of a serious operating problem, stop using immediately.
- The maximum ambient temperature is 113 °F (45 °C). Do not operate this product at higher temperatures.

## Contact

From inside the U.S., UK, Ireland, Mexico, or Benelux, use the information in [Contact Us](#) at the end of this QRG. Outside the U.S., United Kingdom, Ireland, Mexico, or Benelux, contact your distributor to request support or return a product.

- What Is Included**
- Maverick MK1 Hybrid
  - Power Input Cord
  - Omega Bracket w/ mounting hardware
  - Warranty Card
  - Quick Reference Guide

**AC Power** This product has an auto-ranging power supply that can work with an input voltage range of 100–240 VAC, 50/60 Hz.

AC Plug	Connection	Wire (U.S.)	Wire (Europe)	Screw Color
	AC Live	Black	Brown	Yellow/Brass
	AC Neutral	White	Blue	Silver
	AC Ground	Green/Yellow	Green/Yellow	Green



To eliminate unnecessary wear and improve its lifespan, during periods of non-use completely disconnect the product from power via breaker or by unplugging it.

**Replacing The Fuse**

1. Disconnect this product from power.
2. Using a Phillips #2 head screwdriver, unscrew the fuse holder cap from the housing.
3. Remove blown fuse and replace with a good fuse of the same type and rating.
4. Screw the fuse holder cap back in place and reconnect power.

**DMX Linking**

The Maverick MK1 Hybrid will work with a DMX controller using a 3- or 5-pin DMX serial connection. A DMX Primer is available from [www.chauvetprofessional.com](http://www.chauvetprofessional.com).

**DMX Connection**

The Maverick MK1 Hybrid uses a 3- or 5-pin DMX data connection for its DMX personalities: **27** and **30**. See the User Manual for information about connecting and configuring the product for DMX operation.

**Signal Connections**

You can link the Maverick MK1 Hybrid to controller software using an Ethernet connection. If using other Art-Net™ or sACN -compatible products with the Maverick MK1 Hybrid, you can control each individually on a single network. See the User Manual for information about how to connect and configure the product for these signals.

**Art-Net™ Connection**

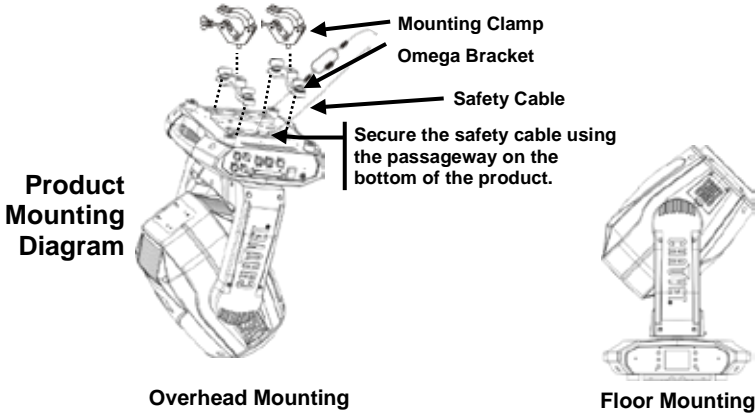
Art-Net™ is an Ethernet protocol that uses TCP/IP which transfers a large amount of DMX512 data using an Neutrik® etherCON® RJ45 connection over a large network. An Art-Net™ protocol document is available from [www.chauvetprofessional.com](http://www.chauvetprofessional.com). Chauvet Professional recommends using unicast Art-Net™ for best results.

Art-Net™ designed by and copyright Artistic License Holdings Ltd.

**sACN Connection**

Also known as ANSI E1.31, Streaming-ACN is an Ethernet protocol that uses the layering and formatting of Architecture for Control Networks to transport DMX512 data over IP or any other ACN compatible network. ACN is maintained by the Professional Lighting and Sound Association (PLASA).

**Mounting** Before mounting this product, read the [Safety Notes](#). Use at least one mounting point per product. Make sure the mounting clamps are capable of supporting the weight of the product. For our CHAUVET Professional line of mounting clamps, go to <http://trusst.com/products/>.

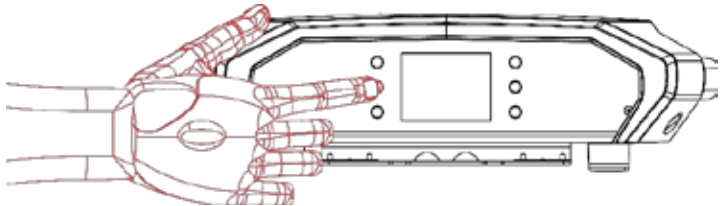


**Touchscreen Control Panel** The Maverick MK1 Hybrid has a touchscreen display as well as 6 control buttons. The touchscreen can be locked and calibrated through the Setup options in the menu.

**Control Panel Description**

Button	Function
	Navigates upwards through the menu list or increases the numeric value when in a function
	Exits from the current menu or function
	Navigates downwards through the menu list or decreases the numeric value when in a function
	Navigates leftwards through the menu list
	Enables the currently displayed menu or sets the currently selected value into the selected function
	Navigates rightwards through the menu list

**Battery Powered Display** Press and hold until menu screen appears (approx 15 sec.).



## Menu Map

Main Level	Programming Levels		Description
Address	000–512		Network Setting
Art-Net Setup	IP Mode	Manual	Selection of IP mode
		DHCP	
		Static	
	Universe	0 ~ 255	Set the Universe
	ArtNetIp	002.243.075.222	IP setting
SubMask	255.000.000.000	Subnet Mask	
Personality	DMX 27CH	YES	Choose 27 Channels of DMX
		NO	
	DMX 30CH	YES	Choose 30 Channels of DMX
		NO	
Settings	Control Mode	DMX	Signal Selection
		WDMX	
		ArtNet	
		sACN	
	Pan Reverse	YES	Reverse the Pan
		NO	
	Tilt Reverse	YES	Reverse the Tilt
		NO	
	Screen Reverse	NO	Manually or automatically reverse the screen
		YES	
		AUTO	
	Pan Angle	540	Change the Pan angle
		360	
		180	
	Tilt Angle	270	Change the Tilt angle
		180	
		90	
	BL. O. P/T Move	YES	Enable/disable XY blackout
		NO	
	BL. O. Color Move	YES	Enable/disable color blackout
NO			
BL. O. Gobo Move	YES	Enable/disable gobo blackout	
	NO		
Calibration	YES	Turn on Calibration	
	NO		

## Menu Map (Cont.)

Main Level	Programming Levels		Description	
Settings (Continued)	Touchscreen Lock	YES	Lock the touchscreen	
		NO		
	Swap X/Y	YES	Swap the pan and tilt	
		NO		
	X/Y Mode	Fast	Pan and tilt speed	
		Slow		
	WDMX Reset	YES	Reset the wireless DMX	
		NO		
	Backlight Timer	30S	Set the backlight to turn off automatically after a chosen time	
		1M		
		5M		
		ON		
	Loss of Data	Hold	Loss of data setting	
		Close		
	Safety Beam	OFF	Safety Beam Mode	
		ON		
	Lamp Setting	On/Off	OFF	Lamp On or Off
			ON	
		State/ Power On	OFF	Lamp status shown when lamp on
			ON	
		Off Via DMX	NO	Control the lamp with DMX
			YES	
On If DMX On		NO	Lamp On when DMX is On	
		YES		
Off If DMX Off		NO	Lamp Off when DMX is Off	
		YES		
Ignition Delay	10 ~ 255	Set delay time for lamp ignition		
Low Power Delay	0 ~ 255	Low power delay time		
Reset Lamp Time	NO	Reset the remaining lamp time		
	YES			
Special Set	Interval	10 ~ 250	Lamp maintenance reminder set	
	Remain Time	10 ~ 250	Remaining lamp time	
Preset Select	PRESET A		Recorded preset menu options	
	PRESET B			
	PRESET C			

## Menu Map (Cont.)

Main Level	Programming Levels		Description	
Settings (Continued)	Preset Sync	NO	Allows recorded preset menu options to be transferred to other Maverick MK1 Hybrids in the DMX daisy chain	
		YES		
	Reset Function	Pan/Tilt	YES/NO	Reset individual functions to factory
		Head		
		All		
Factory Settings	NO		Reset all functions to factory	
	YES			
Test	Auto Test		Auto test the product	
	Manual Test	Pan	0 ~ 255	Individually test each function/channel
		Pan Fine		
		Tilt		
		Tilt Fine		
		P/T Speed		
		Cyan		
		Magenta		
		Yellow		
		Color1		
		Color2		
		Color3		
		Shutter		
		Dimmer		
		Dimmer Fine		
		Gobo		
		Animation		
		Animation Rotate		
		Gobo		
		Gobo Rotate		
Gobo Rotate Fine				
Prism				
Prism1 Rotate				
Prism2 Rotate				
Frost				

### Menu Map (Cont.)

Main Level	Programming Levels		Description	
Test (Continued)	Auto Test	Frost	0 ~ 255 Individually test each function/channel	
		Zoom		
		Focus		
		Fine Focus		
		Beam Mode		
		Special Function		
Information	Fixture Information	Ver	V1	Current Version
		Running Mode	DMX	Current Mode
		DMX Address	001	
		Temperature	025	Current Temperature
		Fixture Hours	00000	Current active hours
		ArtNetIp	002.243.075.222	Current IP address
		SubMask	255.000.000.000	Current subnet mask
		MAC	00.04.a3.08.00.00	MAC address
	Fan Information	Base Fan1 Speed	2000rpm	View speed setting
		Base Fan2 Speed	2000rpm	View speed setting
		Head Fan1 Speed	2000rpm	View speed setting
		Head Fan2 Speed	2000rpm	View speed setting
	Error Information	-----		Will appear on screen
	Channel Information	Frequency	0Hz	0 ~ 255 Status of individual channel
		Pan		
		Pan Fine		
		Tilt		
		Tilt Fine		
		P/T Speed		
		Cyan		
		Magenta		
Yellow				
Color1				
Color2				
Color3				
Shutter				
Dimmer				
Dimmer Fine				
Gobo				
Animation				
Animation Rotate				



## Menu Map (Cont.)

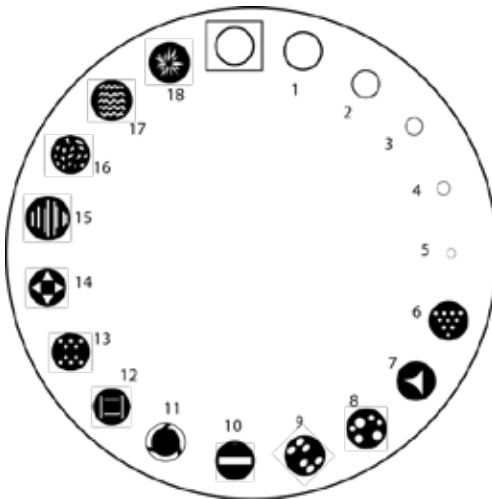
Main Level	Programming Levels		Description
Information (continued)	Channel Information (continued)	Gobo	0 ~ 255
		Gobo Rotate	
		Gobo Rotate Fine	
		Prism	
		Prism1 Rotate	
		Prism2 Rotate	
		Frost	
		Zoom	
		Focus	
		Fine Focus	
		Beam Mode	
		Special Function	

## Gobo Designs



### Rotating Gobo Wheel

- |    |                   |
|----|-------------------|
| 1. | Turning Forks     |
| 2. | Wavy Breakup      |
| 3. | Radial Star       |
| 4. | Star Field        |
| 5. | Broken Triangle   |
| 6. | Half Moon and Sun |



### Static Gobo Wheel

- |     |                 |
|-----|-----------------|
| 1.  | Aperture 5/6    |
| 2.  | Aperture 2/3    |
| 3.  | Aperture 1/2    |
| 4.  | Aperture 1/3    |
| 5.  | Full Aperture   |
| 6.  | Triangle Dots   |
| 7.  | Curvy Triangle  |
| 8.  | Random Dots     |
| 9.  | Symmetric Dots  |
| 10. | Line            |
| 11. | Laser Circle    |
| 12. | Square Lines    |
| 13. | Brick Out       |
| 14. | Triangle Square |
| 15. | Shades          |
| 16. | Crunch Bar      |
| 17. | 5 Wave          |
| 18. | Burst           |

## DMX Values

30CH	Channel	Function	Value	Percent/Setting
	1	Pan	000 ∘ 255	0–100%
	2	Fine Pan	000 ∘ 255	0–100%
	3	Tilt	000 ∘ 255	0–100%
	4	Fine Tilt	000 ∘ 255	0–100%
	5	Pan/Tilt Speed	000 ∘ 255	0–100%
	6	Dimmer	000 ∘ 255	0–100%
	7	Fine Dimmer	000 ∘ 255	0–100%
	8	Shutter	000 ∘ 007 008 ∘ 015 016 ∘ 131 132 ∘ 167 168 ∘ 203 204 ∘ 239 240 ∘ 247 248 ∘ 255	Closed Open Slow to fast Fast close, slow open Slow close, fast open Pulse effect from slow to fast Random effect from slow to fast Open
	9	Cyan	000 ∘ 255	0–100%
	10	Magenta	000 ∘ 255	0–100%
	11	Yellow	000 ∘ 255	0–100%
	12	Color Wheel 1	000 028 050 080 100 129 150 181 200 235 255	White White + Beam Softener Beam Softener Beam Softener + Lavender Lavender Lavender + CTO 3200K CTO 3200K CTO 3200K + (UV) (UV) (UV) + CTO 2500K CTO 2500K
	13	Color Wheel 2	000 028 050 080 100 129 150 181 200 235 255	White White + Beam Softener Beam Softener Beam Softener + Dark Green Dark Green Dark Green + Dark Red Dark Red Dark Red + Dark Blue Dark Blue Dark Blue + Minus Green Minus Green

30CH	Channel	Function	Value	Percent/Setting
	14	Color Wheel 3	000	White
			028	White + Beam Softener
			050	Beam Softener
			080	Beam Softener + Dark Orange
			100	Dark Orange
			129	Dark Orange + Light Orange
			150	Light Orange
			181	Light Orange + Light Green
			200	Light Green
			235	Light Green + Pink
			255	Pink
			15	Gobo Wheel 1 <a href="#">[Gobo Designs]</a>
	004	Gobo 1 (Aperture 5/6)		
	008	Gobo 2 (Aperture 2/3)		
	012	Gobo 3 (Aperture 1/2)		
	016	Gobo 4 (Aperture 1/3)		
	019	Gobo 5 (Full Aperture)		
	023	Gobo 6 (Triangle dots)		
	027	Gobo 7 (Curvy triangle)		
	031	Gobo 8 (Random dots)		
	035	Gobo 9 (Symmetric dots)		
	038	Gobo 10 (Line)		
	042	Gobo 11 (Laser Circle)		
	046	Gobo 12 (Square Lines)		
	050	Gobo 13 (Brick Out)		
	054	Gobo 14 (Triangle square)		
	057	Gobo 15 (Shades)		
	061	Gobo 16 (Crunch Bar)		
	065	Gobo 17 (5 Wave)		
	069	Gobo 18 (Burst)		
	072	113 Clockwise gobo scroll, fast to slow		
	114	117 stop		
	118	159 Counter-clockwise gobo scroll, slow to fast		
	160	165 Gobo 1 Shaking		
	166	170 Gobo 2 Shaking		
	171	175 Gobo 3 Shaking		
	176	181 Gobo 4 Shaking		
	182	186 Gobo 5 Shaking		
	187	191 Gobo 6 Shaking		
	192	197 Gobo 7 Shaking		
	198	202 Gobo 8 Shaking		
	203	207 Gobo 9 Shaking		
	208	214 Gobo 10 Shaking		
	215	218 Gobo 11 Shaking		
	219	223 Gobo 12 Shaking		
	224	229 Gobo 13 Shaking		
	230	234 Gobo 14 Shaking		
	235	239 Gobo 15 Shaking		
	240	245 Gobo 16 Shaking		
	246	250 Gobo 17 Shaking		
	251	255 Gobo 18 Shaking		

30CH	Channel	Function	Value	Percent/Setting
	16	<b>Gobo Wheel 2</b> <a href="#">[Gobo Designs]</a>	000○018 019○037 038○056 057○074 075○092 093○111 112○129 130○150 151○171 172○192 193○213 214○234 235○255	White Gobo 1 (Turning Forks) Gobo 2 (Wavy Breakup) Gobo 3 (Radial Star) Gobo 4 (Star Field) Gobo 5 (Broken Triangle) Gobo 6 (Half Moon and Sun) Gobo 1 Shaking Gobo 2 Shaking Gobo 3 Shaking Gobo 4 Shaking Gobo 5 Shaking Gobo 6 Shaking
	17	<b>Gobo Wheel 1 Rotation</b>	000○021 022○042 043○063 064○084 085○105 106○127 128○190 191○192 193○255	0-90 position 90-180 position 180-270 position 270-360 position 360-450 position 450-540 position Clockwise rotating, slow to fast Stop Counter-clockwise rotating, slow to fast
	18	<b>Gobo Indexing 16-bit</b>	000○255	16-bit adjustable
	19	<b>Animation Wheel</b>	000○255	Effect wheel
	20	<b>Animation Wheel Rotation</b>	000○124 125○130 131○255	Clockwise rotating, slow to fast Stop Counter-clockwise rotating, slow to fast
	21	<b>Prism 1</b>	000○010 011○255	No Function Prism Effect
	22	<b>Prism 1 Rotation</b>	000○021 022○042 043○063 064○084 085○105 106○127 128○190 191○192 193○255	0-90 position 90-180 position 180-270 position 270-360 position 360-450 position 450-540 position Clockwise rotating, slow to fast Stop Counter-clockwise rotating, slow to fast
	23	<b>Prism 2</b>	000○010 011○255	No Function Prism Effect
	24	<b>Prism 2 Rotation</b>	000○021 022○042 043○063 064○084 085○105 106○127 128○190 191○192 193○255	0-90 position 90-180 position 180-270 position 270-360 position 360-450 position 450-540 position Clockwise rotating, slow to fast Stop Counter-clockwise rotating, slow to fast

<b>30CH</b>	<b>Channel</b>	<b>Function</b>	<b>Value</b>	<b>Percent/Setting</b>
	<b>25</b>	<b>Frost</b>	000ó 255	0–100%
	<b>26</b>	<b>Zoom</b>	000ó 255	0–100%
	<b>27</b>	<b>Focus</b>	000ó 255	0–100%
	<b>28</b>	<b>Fine Focus</b>	000ó 255	0–100%
	<b>29</b>	<b>Beam Mode</b>	000ó 010 011ó 255	No Function Beam Mode
	<b>30</b>	<b>Control</b>	000ó 029 030ó 039 040ó 049 050ó 059 060ó 069 070ó 079 080ó 089 090ó 099 100ó 109 110ó 119 120ó 129 130ó 139 140ó 149 150ó 159 160ó 169 170ó 179 180ó 189 190ó 199 200ó 209 210ó 219 220ó 229 230ó 239 240ó 245 246ó 250 251ó 255	No function XY swap on XY swap off Zoom/auto focus mode on Zoom/auto focus mode off XY blackout enable XY blackout disable Color blackout enable Color blackout disable Gobo blackout enable Gobo blackout disable Lamp On XY reset Head reset Auto soft filter on Auto soft filter off No function No function All reset All blackout enable All blackout disable Lamp Off No function No function No function

**27CH**

Channel	Function	Value	Percent/Setting
1	Pan	000ó 255	0–100%
2	Fine Pan	000ó 255	0–100%
3	Tilt	000ó 255	0–100%
4	Fine Tilt	000ó 255	0–100%
5	Pan/Tilt Speed	000ó 255	0–100%
6	Dimmer	000ó 255	0–100%
7	Shutter	000ó 007 Closed 008ó 015 Open 016ó 131 Slow to fast 132ó 167 Fast close, slow open 168ó 203 Slow close, fast open 204ó 239 Pulse effect from slow to fast 240ó 247 Random effect from slow to fast 248ó 255 Open	
8	Cyan	000ó 255	0–100%
9	Magenta	000ó 255	0–100%
10	Yellow	000ó 255	0–100%
11	Color Wheel 1	000 White 028 White + Beam Softener 050 Beam Softener 080 Beam Softener + Lavender 100 Lavender 129 Lavender + CTO 3200K 150 CTO 3200K 181 CTO 3200K + (UV) 200 (UV) 235 (UV) + CTO 2500K 255 CTO 2500K	
12	Color Wheel 2	000 White 028 White + Beam Softener 050 Beam Softener 080 Beam Softener + Dark Green 100 Dark Green 129 Dark Green + Dark Red 150 Dark Red 181 Dark Red + Dark Blue 200 Dark Blue 235 Dark Blue + Minus Green 255 Minus Green	

27CH	Channel	Function	Value	Percent/Setting			
13		Color Wheel 3	000	White			
			028	White + Beam Softener			
			050	Beam Softener			
			080	Beam Softener + Dark Orange			
			100	Dark Orange			
			129	Dark Orange + Light Orange			
			150	Light Orange			
			181	Light Orange + Light Green			
			200	Light Green			
			235	Light Green + Pink			
			255	Pink			
			14		Gobo Wheel 1 <a href="#">[Gobo Designs]</a>	000	Open
						004	Gobo 1 (Aperture 5/6)
008	Gobo 2 (Aperture 2/3)						
012	Gobo 3 (Aperture 1/2)						
016	Gobo 4 (Aperture 1/3)						
019	Gobo 5 (Full Aperture)						
023	Gobo 6 (Triangle dots)						
027	Gobo 7 (Curvy triangle)						
031	Gobo 8 (Random dots)						
035	Gobo 9 (Symmetric dots)						
038	Gobo 10 (Line)						
042	Gobo 11 (Laser Circle)						
046	Gobo 12 (Square Lines)						
050	Gobo 13 (Brick Out)						
054	Gobo 14 (Triangle square)						
057	Gobo 15 (Shades)						
061	Gobo 16 (Crunch Bar)						
065	Gobo 17 (5 Wave)						
069	Gobo 18 (Burst)						
070	Clockwise gobo scroll, fast to slow						
113	Stop						
114	Counter-clockwise gobo scroll, slow to fast						
159	Gobo 1 Shaking						
160	Gobo 2 Shaking						
166	Gobo 3 Shaking						
170	Gobo 4 Shaking						
171	Gobo 5 Shaking						
175	Gobo 6 Shaking						
176	Gobo 7 Shaking						
181	Gobo 8 Shaking						
182	Gobo 9 Shaking						
186	Gobo 10 Shaking						
187	Gobo 11 Shaking						
191	Gobo 12 Shaking						
192	Gobo 13 Shaking						
197	Gobo 14 Shaking						
198	Gobo 15 Shaking						
202	Gobo 16 Shaking						
203	Gobo 17 Shaking						
207	Gobo 18 Shaking						
208	Gobo 1 Shaking						
214	Gobo 2 Shaking						
215	Gobo 3 Shaking						
218	Gobo 4 Shaking						
219	Gobo 5 Shaking						
223	Gobo 6 Shaking						
224	Gobo 7 Shaking						
229	Gobo 8 Shaking						
230	Gobo 9 Shaking						
234	Gobo 10 Shaking						
235	Gobo 11 Shaking						
239	Gobo 12 Shaking						
240	Gobo 13 Shaking						
245	Gobo 14 Shaking						
246	Gobo 15 Shaking						
250	Gobo 16 Shaking						
251	Gobo 17 Shaking						
255	Gobo 18 Shaking						



27CH	Channel	Function	Value	Percent/Setting
15		<b>Gobo Wheel 2</b> <a href="#">[Gobo Designs]</a>	000○ 018	White
			019○ 037	Gobo 1 (Turning Forks)
			038○ 056	Gobo 2 (Wavy Breakup)
			057○ 074	Gobo 3 (Radial Star)
			075○ 092	Gobo 4 (Star Field)
			093○ 111	Gobo 5 (Broken Triangle)
			112○ 129	Gobo 6 (Half Moon and Sun)
			130○ 150	Gobo 1 Shaking
			151○ 171	Gobo 2 Shaking
			172○ 192	Gobo 3 Shaking
			193○ 213	Gobo 4 Shaking
			214○ 234	Gobo 5 Shaking
			235○ 255	Gobo 6 Shaking
16		<b>Gobo Wheel 2 Rotation</b>	000○ 021	0-90 position
			022○ 042	90-180 position
			043○ 063	180-270 position
			064○ 084	270-360 position
			085○ 105	360-450 position
			106○ 127	450-540 position
			128○ 190	Clockwise rotating, slow to fast
191○ 192	Stop			
193○ 255	Counter-clockwise rotating, slow to fast			
17		<b>Animation Wheel</b>	000○ 255	Effect wheel
18		<b>Animation Wheel Rotation</b>	000○ 124	Clockwise rotating, slow to fast
			125○ 130	Stop
			131○ 255	Counter-clockwise rotating, slow to fast
19		<b>Prism 1</b>	000○ 010	No Function
			011○ 255	Prism Effect
20		<b>Prism 1 Rotation</b>	000○ 021	0-90 position
			022○ 042	90-180 position
			043○ 063	180-270 position
			064○ 084	270-360 position
			085○ 105	360-450 position
			106○ 127	450-540 position
			128○ 190	Clockwise rotating, slow to fast
191○ 192	Stop			
193○ 255	Counter-clockwise rotating, slow to fast			
21		<b>Prism 2</b>	000○ 010	No Function
			011○ 255	Prism Effect
22		<b>Prism 2 Rotation</b>	000○ 021	0-90 position
			022○ 042	90-180 position
			043○ 063	180-270 position
			064○ 084	270-360 position
			085○ 105	360-450 position
			106○ 127	450-540 position
			128○ 190	Clockwise rotating, slow to fast
			191○ 192	Stop
			193○ 255	Counter-clockwise rotating, slow to fast

27CH	Channel	Function	Value	Percent/Setting
	23	Frost	000 ∘ 255	0–100%
	24	Zoom	000 ∘ 255	0–100%
	25	Focus	000 ∘ 255	0–100%
	26	Beam Mode	000 ∘ 010 011 ∘ 255	No Function Beam Mode
	27	Control	000 ∘ 029 030 ∘ 039 040 ∘ 049 050 ∘ 059 060 ∘ 069 070 ∘ 079 080 ∘ 089 090 ∘ 099 100 ∘ 109 110 ∘ 119 120 ∘ 129 130 ∘ 139 140 ∘ 149 150 ∘ 159 160 ∘ 169 170 ∘ 179 180 ∘ 189 190 ∘ 199 200 ∘ 209 210 ∘ 219 220 ∘ 229 230 ∘ 239 240 ∘ 245 246 ∘ 250 251 ∘ 255	No function XY swap on XY swap off Zoom/auto focus mode on Zoom/auto focus mode off XY blackout enable XY blackout disable Color blackout enable Color blackout disable Gobo blackout enable Gobo blackout disable Lamp On XY reset Head reset Auto soft filter on Auto soft filter off No function No function All reset All blackout enable All blackout disable Lamp Off No function No function No function

**Acerca de esta Guía** La Guía de Referencia Rápida (GRR) del Maverick MK1 Hybrid contiene información básica sobre el producto, como conexión, montaje, opciones de menú y valores DMX. Descargue el Manual de Usuario de [www.chauvetprofessional.com](http://www.chauvetprofessional.com) para información más detallada.

**Exención de Responsabilidad** La información y especificaciones contenidas en esta GRR están sujetas a cambio sin previo aviso.

### Notas de Seguridad

- NO abra este producto. No contiene piezas reparables por el usuario.
- NO mire a la fuente de luz cuando el producto esté encendido.
- Para evitar un desgaste innecesario y alargar su vida útil, desconecte completamente el producto de la alimentación, mediante el interruptor o desenchufándolo, durante los periodos en los que no se use.
- CUIDADO: cuando transfiera el producto desde ambientes con temperatura extrema (p. ej., del remolque frío de un camión a una sala de baile con calor y humedad), puede formarse condensación en la electrónica interna del producto. Para evitar que se produzca una avería, deje que el producto se aclimate completamente al ambiente antes de conectar la alimentación.
- CUIDADO: La carcasa de este producto puede estar caliente cuando las luces están en funcionamiento.
- Monte este producto en una ubicación con ventilación adecuada, al menos a 20" (50 cm) de superficies adyacentes.
- NO deje ningún material inflamable a menos de 50 cm de este producto mientras esté funcionando o conectado a la alimentación.
- USE un cable de seguridad cuando monte este producto en lo alto.
- NO ponga en funcionamiento este producto en el exterior o en cualquier ubicación en la que el polvo, calor excesivo, agua o humedad puedan afectarlo. (IP20)
- NO ponga en funcionamiento este producto si sospecha que la carcasa, lentes o cables están dañados.
- NO conecte este producto a un atenuador o reostato.
- Conecte este producto SOLO a un circuito con toma de tierra y protegido.
- Use SOLAMENTE los soportes de montaje o las asas para mover este producto. NO lo transporte agarrando por la cabeza móvil.
- En caso de un problema grave de funcionamiento, deje de usarlo inmediatamente.
- La temperatura ambiente máxima es de 113 °F (45 °C). No haga funcionar este producto a temperaturas más altas.

**Contacto** Fuera de EE.UU., Reino Unido, Irlanda, México, o Benelux póngase en contacto con su distribuidor para solicitar asistencia o devolver el producto. Desde dentro de EE.UU., Reino Unido, Irlanda, México o Benelux, utilice la información de Contact Us del final de esta GRR.

### Qué va incluido

- Maverick MK1 Hybrid
- Cable de alimentación
- Soporte Omega con material de montaje
- Tarjeta de garantía
- Guía de referencia rápida

**Corriente alterna** Este producto tiene una fuente de alimentación con detección automática que puede funcionar con un rango de tensión de entrada de 100–240 VCA, 50/60 Hz.

### Enchufe CA

Conexión	Cable (EE.UU.)	Cable (Europa)	Color del tornillo
CA Cargado	Negro	Marrón	Amarillo/Latón
CA Neutro	Blanco	Azul	Plata
CA Tierra	Verde/Amarillo	Verde/Amarillo	Verde



**Para evitar un desgaste innecesario y alargar su vida útil, desconecte completamente el producto de la alimentación, mediante el interruptor o desenchufándolo, durante los periodos en los que no se use.**

### Sustitución del Fusible

1. Desconecte este producto de la alimentación.
2. Utilizando un destornillador plano, desatornille la tapa del portafusibles de la carcasa.
3. Quite el fusible fundido del portafusibles y sustitúyalo con uno nuevo del mismo tipo y categoría.
4. Vuelva a atornillar la tapa del portafusibles en su sitio y conecte de nuevo la alimentación.

### Conexión DMX

El Maverick MK1 Hybrid funcionará con un controlador DMX usando una conexión de datos DMX de 3 o 5 pines. Hay un Manual DMX disponible en [www.chauvetprofessional.com](http://www.chauvetprofessional.com).

### Conexión DMX

El Maverick MK1 Hybrid usa una conexión de datos DMX de 3 o 5 pines para sus personalidades DMX: **27** y **30**. Consulte el manual de usuario para más información sobre cómo conectar y configurar el producto para funcionamiento DMX.

### Conexiones de señal

Puede enlazar el Maverick MK1 Hybrid a un controlador o software controlador usando una conexión DMX, una conexión Ethernet o ambas. Si está usando otros productos compatibles con Art-Net™, sACN o Kling-Netcon, el Maverick MK1 Hybrid puede controlar cada uno individualmente en una sola red. Consulte el Manual de usuario para obtener información sobre cómo conectar y configurar el producto para estas señales.

### Conexión Art-Net™

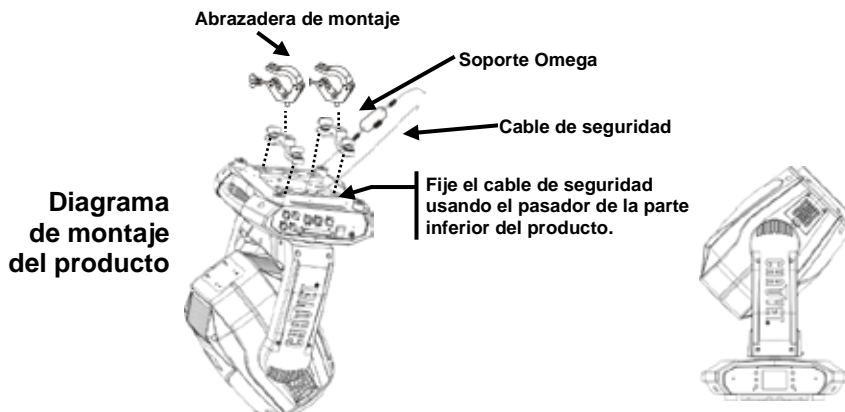
Art-Net™ es un protocolo Ethernet que utiliza TCP/IP para transferir gran cantidad de datos DMX512 usando una conexión etherCON RJ45 sobre una red de gran tamaño. Hay disponible un documento sobre el protocolo Art-Net™ desde [www.chauvetprofessional.com](http://www.chauvetprofessional.com). Chauvet Professional recomienda la utilización de modo Unicast para mejores resultados.

Art-Net™ diseñado y copyright por Artistic Licence Holdings Ltd.

### Conexión sACN

También conocido como ANSI E1.31, el streaming ACN es un protocolo Ethernet que usa las capas y formato de Architecture for Control Networks (arquitectura para redes de control) para transportar datos DMX512 sobre IP o cualquier otra red compatible con ACN. El mantenimiento de ACN corre a cargo de la Professional Lighting and Sound Association (Asociación de Sonido e Iluminación Profesional, PLASA).

**Montaje** Antes de montar este producto, lea las Notas de Seguridad. Utilice al menos dos puntos de montaje por producto. Asegúrese de que las abrazaderas de montaje son capaces de soportar el peso del producto. Para nuestra línea Chauvet de abrazaderas de montaje, visite <http://trusst.com/products/>.



Montaje en altura

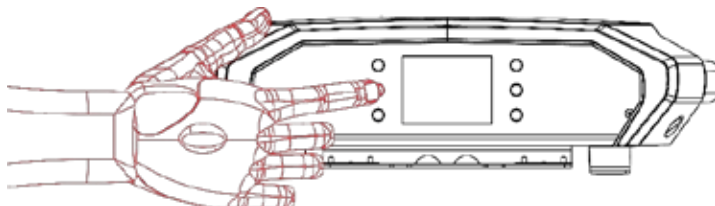
Montaje en el suelo

**Panel de control con pantalla táctil** El Maverick MK1 Hybrid dispone de una pantalla táctil y de 6 botones de control. La pantalla táctil se puede bloquear y calibrar a través de las opciones de Setup (configuración) en el menú.

### Descripción del panel de control

Botón	Función
	Navega hacia arriba por la lista de menú o aumenta el valor numérico cuando está en una función
	Sale del menú o función actual
	Navega hacia abajo por la lista de menú o disminuye el valor numérico cuando está en una función
	Navega hacia la izquierda por la lista de menú
	Habilita el menú actualmente en pantalla o configura el valor seleccionado actualmente dentro de la función seleccionada
	Navega hacia la derecha por la lista de menú

**Pantalla alimentada con batería** Pulse y mantenga pulsado hasta que aparezca la pantalla de menú (aprox. 15 s).



## Mapa de menú

Nivel principal	Niveles de programación		Descripción
<b>Address</b>	<b>000–255</b>		Configuración de red
<b>Art-Net Setup</b>	<b>IP Mode</b>	<b>Manual</b>	Selección del modo IP
		<b>DHCP</b>	
		<b>Static</b>	
	<b>Universe</b>	<b>0 ~ 255</b>	Configurar el universo
	<b>ArtNetIp</b>	<b>002.243.075.222</b>	Configuración de IP
	<b>SubMask</b>	<b>255.000.000.000</b>	Máscara de subred
<b>Personality</b>	<b>DMX 27CH</b>	<b>YES</b>	Escoger 27 canales de DMX
		<b>NO</b>	
	<b>DMX 30CH</b>	<b>YES</b>	Escoger 30 canales de DMX
		<b>NO</b>	
<b>Settings</b>	<b>Control Mode</b>	<b>DMX</b>	Selección de señal
		<b>WDMX</b>	
		<b>ArtNet</b>	
		<b>sACN</b>	
	<b>Pan Reverse</b>	<b>YES</b>	Invertir el movimiento panorámico
		<b>NO</b>	
	<b>Tilt Reverse</b>	<b>YES</b>	Invertir la inclinación
		<b>NO</b>	
	<b>Screen Reverse</b>	<b>NO</b>	Invertir la pantalla manual o automáticamente
		<b>YES</b>	
		<b>AUTO</b>	
	<b>Pan Angle</b>	<b>540</b>	Cambiar el ángulo panorámico
		<b>360</b>	
		<b>180</b>	
	<b>Tilt Angle</b>	<b>270</b>	Cambiar el ángulo de inclinación
		<b>180</b>	
		<b>90</b>	
	<b>BL. O. P/T Move</b>	<b>YES</b>	Habilitar/deshabilitar el blackout XY
		<b>NO</b>	
	<b>BL. O. Color Move</b>	<b>YES</b>	Habilitar/deshabilitar el blackout de color
<b>NO</b>			
<b>BL. O. Gobo Move</b>	<b>YES</b>	Habilitar/deshabilitar el blackout de gobo	
	<b>NO</b>		
<b>Calibration</b>	<b>YES</b>	Encender calibración	
	<b>NO</b>		

Nivel principal	Niveles de programación		Descripción	
Settings (continuación)	Touchscreen Lock	YES	Bloquear la pantalla	
		NO		
	Swap X/Y	YES	Intercambiar movimiento panorámico y de inclinación	
		NO		
	X/Y Mode	Fast	Cambiar la velocidad del	
		Slow		
	WDMX Reset	YES	Restablecer DMX inalámbrico	
		NO		
	Backlight Timer	30S	Configura la retroiluminación para que se apague transcurrido cierto tiempo	
		1M		
		5M		
		ON		
	Loss of Data	Hold	Configuración de pérdida de datos	
		Close		
	Safety Beam	OFF	Modo de haz de seguridad	
		ON		
	Lamp Setting	On/Off	OFF	Lámpara apagada o encendida
			ON	
		State/ Power On	OFF	Estado de la lámpara mostrado cuando la lámpara está encendida
			ON	
Off Via DMX		NO	Controla la lámpara con DMX	
		YES		
On If DMX On		NO	Lámpara encendida si DMX está activo	
		YES		
Off If DMX Off	NO	Lámpara apagada si DMX está inactivo		
	YES			
Ignition Delay	10 ~ 255	Configura el tiempo de retardo para el encendido de la lámpara		
Low Power Delay	0 ~ 255	Tiempo de retardo de bajo consumo		
Reset Lamp Time	NO	Restablece el tiempo restante de la lámpara		
	YES			
Special Set	Interval	10 ~ 250	Ajuste de recordatorio de mantenimiento de la lámpara	
	Remain Time	10 ~ 250	Tiempo restante de lámpara	
Preset Select	PRESET A		Opciones de menú preconfiguradas grabadas	
	PRESET B			
	PRESET C			

Nivel principal	Niveles de programación			Descripción
Settings (continuación)	Preset Sync	NO		Permite transferir las opciones de menú preconfiguradas grabadas a otros Maverick MK1 Hybrids de la cadena DMX
		YES		
	Reset Function	Pan/Tilt	YES/NO	Restablecer las funciones individuales a los valores de fábrica
		Head		
		All		
Factory Settings	NO		Restablecer todas las funciones a los valores de fábrica	
	YES			
Test	Auto Test			Hacer una prueba automática del producto
	Manual Test	Pan	0 ~ 255	Comprobar individualmente cada función/canal
		Pan Fine	0 ~ 255	
		Tilt	0 ~ 255	
		Tilt Fine	0 ~ 255	
		P/T Speed	0 ~ 255	
		Cyan	0 ~ 255	
		Magenta	0 ~ 255	
		Yellow	0 ~ 255	
		Color1	0 ~ 255	
		Color2	0 ~ 255	
		Color3	0 ~ 255	
		Shutter	0 ~ 255	
		Dimmer	0 ~ 255	
		Dimmer Fine	0 ~ 255	
		Gobo	0 ~ 255	
		Animation	0 ~ 255	
		Animation Rotate	0 ~ 255	
		Gobo	0 ~ 255	
		Gobo Rotate	0 ~ 255	
		Gobo Rotate Fine	0 ~ 255	
		Prism	0 ~ 255	
		Prism1 Rotate	0 ~ 255	
		Prism2 Rotate	0 ~ 255	
		Frost	0 ~ 255	
		Zoom	0 ~ 255	



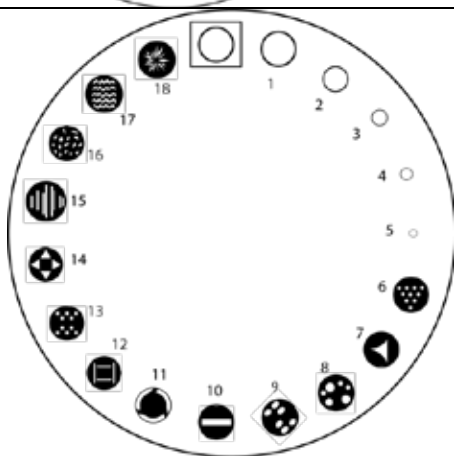
Nivel principal	Niveles de programación			Descripción
Test (continuación)	Manual Test (continuación)	Focus	0 ~ 255	Comprobar individualmente cada función/canal
		Fine Focus	0 ~ 255	
		Beam Mode	0 ~ 255	
		Special Function	0 ~ 255	
Information	Fixture Information	Ver	V1	Versión actual
		Running Mode	DMX	Modo actual
		DMX Address	001	
		Temperature	025	Temperatura actual
		Fixture Hours	00000	Horas activas actuales
		ArtNetIp	002.243.075.222	Dirección IP actual
		SubMask	255.000.000.000	Máscara de subred actual
		MAC 00.04.a3.08.00.00	Dirección MAC	
	Fan Information	Base Fan1 Speed	2000rpm	Ver configuración de velocidad
		Base Fan2 Speed	2000rpm	Ver configuración de velocidad
		Head Fan1 Speed	2000rpm	Ver configuración de velocidad
		Head Fan2 Speed	2000rpm	Ver configuración de velocidad
	Error Information	-----		Aparecerá en la pantalla
	Channel Information	Frequency	0Hz	Estado del canal individual
		Pan	0 ~ 255	
		Pan Fine		
		Tilt		
		Tilt Fine		
		P/T Speed		
		Cyan		
		Magenta		
		Yellow		
		Color1		
Color2				
Color3				
Shutter				
Dimmer				
Dimmer Fine				
Gobo				
Animation				
Animation Rotate				

Nivel principal	Niveles de programación		Descripción	
Información (continuación)	Información del canal (continuación)	Gobo	Estado del canal individual	
		Gobo Rotate		
		Gobo Rotate Fine		
		Prism		
		Prism1 Rotate		
		Prism2 Rotate		
		Frost		0 ~ 255
		Zoom		
		Focus		
		Fine Focus		
		Beam Mode		
		Special Function		

## Diseños de gobo

**Rueda de gobo giratorio**

- |    |                       |
|----|-----------------------|
| 1. | Horquillas giratorias |
| 2. | Olas fragmentadas     |
| 3. | Estrella radial       |
| 4. | Campo de estrellas    |
| 5. | Triángulo partido     |
| 6. | Sol y media luna      |

**Rueda de gobo estático**

- |     |                        |
|-----|------------------------|
| 1.  | Apertura 5/6           |
| 2.  | Apertura 2/3           |
| 3.  | Apertura 1/2           |
| 4.  | Apertura 1/3           |
| 5.  | Apertura total         |
| 6.  | Triángulo punteado     |
| 7.  | Triángulo curvo        |
| 8.  | Puntos aleatorios      |
| 9.  | Puntos simétricos      |
| 10. | Línea                  |
| 11. | Círculo láser          |
| 12. | Líneas cuadradas       |
| 13. | Ladrillos              |
| 14. | Cuadrado de triángulos |
| 15. | Sombras                |
| 16. | Barra rota             |
| 17. | 5 ondas                |
| 18. | Estallido              |

## Valores DMX

30CH	Canal	Función	Valor	Porcentaje/Configuración
	1	Panorámico	000 ó 255	0–100%
	2	Panorámico fino	000 ó 255	0–100%
	3	Inclinación	000 ó 255	0–100%
	4	Inclinación fina	000 ó 255	0–100%
	5	Velocidad panorámico/Inclinación	000 ó 255	0–100%
	6	Atenuador	000 ó 255	0–100%
	7	Atenuador fino	000 ó 255	0–100%
	8	Obturador	000 ó 007 008 ó 015 016 ó 131 132 ó 167 168 ó 203 204 ó 239 240 ó 247 248 ó 255	Cerrado Abierto Lento a rápido Cerrar rápido, abrir lento Cerrar lento, abrir rápido Efecto pulso de lento a rápido Efecto aleatorio de lento a rápido Abierto
	9	Cian	000 ó 255	0–100%
	10	Magenta	000 ó 255	0–100%
	11	Amarillo	000 ó 255	0–100%
	12	Rueda de color 1	000 028 050 080 100 129 150 181 200 235 255	Blanco Blanco + Suavizador de haz Suavizador de haz Suavizador de haz + Lavanda Lavanda Lavanda + CTO 3200K CTO 3200K CTO 3200K + (UV) (UV) (UV) + CTO 2500K CTO 2500K
	13	Rueda de color 2	000 028 050 080 100 129 150 181 200 235 255	Blanco Blanco + Suavizador de haz Suavizador de haz Suavizador de haz + Verde oscuro Verde oscuro Verde oscuro + Rojo oscuro Rojo oscuro Rojo oscuro + Azul oscuro Azul oscuro Azul oscuro + Menos verde

30CH	Canal	Función	Valor	Porcentaje/Configuración			
14	14	Rueda de color 3	000	Blanco			
			028	Blanco + Suavizador de haz			
			050	Suavizador de haz			
			080	Suavizador de haz + Naranja oscuro			
			100	Naranja oscuro			
			129	Naranja oscuro + Naranja claro			
			150	Naranja claro			
			181	Naranja claro + Verde claro			
			200	Verde claro			
			235	Verde claro + Rosa			
			255	Rosa			
			15	15	Rueda de gobo 1 <a href="#">[Diseños de gobo]</a>	000	Abierto
						004	Gobo 1 (Apertura 5/6)
						008	Gobo 2 (Apertura 2/3)
012	Gobo 3 (Apertura 1/2)						
016	Gobo 4 (Apertura 1/3)						
019	Gobo 5 (Apertura total)						
023	Gobo 6 (Triángulo punteado)						
027	Gobo 7 (Triángulo curvo)						
031	Gobo 8 (Puntos aleatorios)						
035	Gobo 9 (Puntos simétricos)						
038	Gobo 10 (Línea)						
042	Gobo 11 (Círculo láser)						
046	Gobo 12 (Líneas cuadradas)						
050	Gobo 13 (Ladrillos)						
054	Gobo 14 (Cuadrado de triángulos)						
057	Gobo 15 (Sombras)						
061	Gobo 16 (Barra rota)						
065	Gobo 17 (5 ondas)						
069	Gobo 18 (Estallido)						
072 ó 113	Desplazamiento de gobo en sentido horario, rápido a						
114 ó 117	lento						
118 ó 159	parada						
160 ó 165	Vibración de gobo 1 en sentido antihorario, lento a rápido						
166 ó 170	Gobo 2 vibrando						
171 ó 175	Gobo 3 vibrando						
176 ó 181	Gobo 4 vibrando						
182 ó 186	Gobo 5 vibrando						
187 ó 191	Gobo 6 vibrando						
192 ó 197	Gobo 7 vibrando						
198 ó 202	Gobo 8 vibrando						
203 ó 207	Gobo 9 vibrando						
208 ó 214	Gobo 10 vibrando						
215 ó 218	Gobo 11 vibrando						
219 ó 223	Gobo 12 vibrando						
224 ó 229	Gobo 13 vibrando						
230 ó 234	Gobo 14 vibrando						
235 ó 239	Gobo 15 vibrando						
240 ó 245	Gobo 16 vibrando						
246 ó 250	Gobo 17 vibrando						
251 ó 255	Gobo 18 vibrando						

16	<b>Rueda de gobo 2</b> <a href="#">[Diseños de gobo]</a>	000ó 018 Blanco 019ó 037 Gobo 1 (Horquillas giratorias) 038ó 056 Gobo 2 (Olas fragmentadas) 057ó 074 Gobo 3 (Estrella radial) 075ó 092 Gobo 4 (Campo de estrellas) 093ó 111 Gobo 5 (Triángulo partido) 112ó 129 Gobo 6 (Sol y media luna) 130ó 150 Gobo 1 vibrando 151ó 171 Gobo 2 vibrando 172ó 192 Gobo 3 vibrando 193ó 213 Gobo 4 vibrando 214ó 234 Gobo 5 vibrando 235ó 255 Gobo 6 vibrando
17	<b>Rotación Rueda de Gobo 1</b>	000ó 021 Posición 0-90 022ó 042 Posición 90-180 043ó 063 Posición 180-270 064ó 084 Posición 270-360 085ó 105 Posición 360-450 106ó 127 Posición 450-540 128ó 190 Giro en sentido horario, lento a rápido 191ó 192 Parada 193ó 255 Giro en sentido antihorario, lento a rápido
18	<b>Indexado de gobo 16 bits</b>	000ó 255 16 bits ajustable
19	<b>Rueda de animación</b>	000ó 255 Rueda de efectos
20	<b>Rotación de rueda de animación</b>	000ó 124 Giro en sentido horario, lento a rápido 125ó 130 Parada 131ó 255 Giro en sentido antihorario, lento a rápido
21	<b>Prisma 1</b>	000ó 010 Sin función 011ó 255 Efecto de prisma
22	<b>Rotación de prisma 1</b>	000ó 021 Posición 0-90 022ó 042 Posición 90-180 043ó 063 Posición 180-270 064ó 084 Posición 270-360 085ó 105 Posición 360-450 106ó 127 Posición 450-540 128ó 190 Giro en sentido horario, lento a rápido 191ó 192 Parada 193ó 255 Giro en sentido antihorario, lento a rápido
23	<b>Prisma 2</b>	000ó 010 Sin función 011ó 255 Efecto de prisma
24	<b>Rotación de prisma 2</b>	000ó 021 Posición 0-90 022ó 042 Posición 90-180 043ó 063 Posición 180-270 064ó 084 Posición 270-360 085ó 105 Posición 360-450 106ó 127 Posición 450-540 128ó 190 Giro en sentido horario, lento a rápido 191ó 192 Parada 193ó 255 Giro en sentido antihorario, lento a rápido
25	<b>Difusor</b>	000ó 255 0-100%
26	<b>Zoom</b>	000ó 255 0-100%

<b>27</b>	<b>Foco</b>	000○ 255	0–100%
<b>28</b>	<b>Foco fino</b>	000○ 255	0–100%
<b>29</b>	<b>Modo de haz</b>	000○ 010 011○ 255	Sin función Modo de haz
<b>30</b>	<b>Control</b>	000○ 029 030○ 039 040○ 049 050○ 059 060○ 069 070○ 079 080○ 089 090○ 099 100○ 109 110○ 119 120○ 129 130○ 139 140○ 149 150○ 159 160○ 169 170○ 179 180○ 189 190○ 199 200○ 209 210○ 219 220○ 229 230○ 239 240○ 245 246○ 250 251○ 255	Sin función Intercambio XY activado Intercambio XY desactivado Modo zoom/autofoco activado Modo zoom/autofoco desactivado Habilitar blackout XY Deshabilitar blackout XY Habilitar blackout de color Deshabilitar blackout de color Habilitar blackout de gobo Deshabilitar blackout de gobo Lámpara encendida Restablecer XY Restablecer cabeza Filtro suavizador automático activado Filtro suavizador automático desactivado Sin función Sin función Restablecer todo Todo blackout habilitar Todo blackout deshabilitar Lámpara apagada Sin función Sin función Sin función

27CH	Canal	Función	Valor	Porcentaje/Configuración
	1	Panorámico	000 ó 255	0-100%
	2	Panorámico fino	000 ó 255	0-100%
	3	Inclinación	000 ó 255	0-100%
	4	Inclinación fina	000 ó 255	0-100%
	5	Velocidad panorámico/Inclinación	000 ó 255	0-100%
	6	Atenuador	000 ó 255	0-100%
	7	Obturador	000 ó 007 008 ó 015 016 ó 131 132 ó 167 168 ó 203 204 ó 239 240 ó 247 248 ó 255	Cerrado Abierto Lento a rápido Cerrar rápido, abrir lento Cerrar lento, abrir rápido Efecto pulso de lento a rápido Efecto aleatorio de lento a rápido Abierto
	8	Cian	000 ó 255	0-100%
	9	Magenta	000 ó 255	0-100%
	10	Amarillo	000 ó 255	0-100%
	11	Rueda de color 1	000 028 050 080 100 129 150 181 200 235 255	Blanco Blanco + Suavizador de haz Suavizador de haz Suavizador de haz + Lavanda Lavanda Lavanda + CTO 3200K CTO 3200K CTO 3200K + (UV) (UV) (UV) + CTO 2500K CTO 2500K
	12	Rueda de color 2	000 028 050 080 100 129 150 181 200 235 255	Blanco Blanco + Suavizador de haz Suavizador de haz Suavizador de haz + Verde oscuro Verde oscuro Verde oscuro + Rojo oscuro Rojo oscuro Rojo oscuro + Azul oscuro Azul oscuro Azul oscuro + Menos verde



13	Rueda de color 3	000	Blanco
		028	Blanco + Suavizador de haz
		050	Suavizador de haz
		080	Suavizador de haz + Naranja oscuro
		100	Naranja oscuro
		129	Naranja oscuro + Naranja claro
		150	Naranja claro
		181	Naranja claro + Verde claro
		200	Verde claro
		235	Verde claro + Rosa
		255	Rosa
14	Rueda de gobo 1 <a href="#">[Diseños de gobo]</a>	000	Abierto
		004	Gobo 1 (Apertura 5/6)
		008	Gobo 2 (Apertura 2/3)
		012	Gobo 3 (Apertura 1/2)
		016	Gobo 4 (Apertura 1/3)
		019	Gobo 5 (Apertura total)
		023	Gobo 6 (Triángulo punteado)
		027	Gobo 7 (Triángulo curvo)
		031	Gobo 8 (Puntos aleatorios)
		035	Gobo 9 (Puntos simétricos)
		038	Gobo 10 (Línea)
		042	Gobo 11 (Círculo láser)
		046	Gobo 12 (Líneas cuadradas)
		050	Gobo 13 (Ladrillos)
		054	Gobo 14 (Cuadrado de triángulos)
		057	Gobo 15 (Sombras)
		061	Gobo 16 (Barra rota)
		065	Gobo 17 (5 ondas)
		069	Gobo 18 (Estallido)
		072 ó 113	Desplazamiento de gobo en sentido horario, rápido a
		114 ó 117	lento
		118 ó 159	parada
		160 ó 165	Vibración de gobo 1 en sentido antihorario, lento a rápido
		166 ó 170	Gobo 2 vibrando
		171 ó 175	Gobo 3 vibrando
		176 ó 181	Gobo 4 vibrando
		182 ó 186	Gobo 5 vibrando
		187 ó 191	Gobo 6 vibrando
		192 ó 197	Gobo 7 vibrando
		198 ó 202	Gobo 8 vibrando
		203 ó 207	Gobo 9 vibrando
		208 ó 214	Gobo 10 vibrando
		215 ó 218	Gobo 11 vibrando
		219 ó 223	Gobo 12 vibrando
224 ó 229	Gobo 13 vibrando		
230 ó 234	Gobo 14 vibrando		
235 ó 239	Gobo 15 vibrando		
240 ó 245	Gobo 16 vibrando		
246 ó 250	Gobo 17 vibrando		
251 ó 255	Gobo 18 vibrando		

15	<b>Rueda de gobo 2</b> <a href="#">[Diseños de gobo]</a>	000ó 018 019ó 037 038ó 056 057ó 074 075ó 092 093ó 111 112ó 129 130ó 150 151ó 171 172ó 192 193ó 213 214ó 234 235ó 255	Blanco Gobo 1 (Horquillas giratorias) Gobo 2 (Olas fragmentadas) Gobo 3 (Estrella radial) Gobo 4 (Campo de estrellas) Gobo 5 (Triángulo partido) Gobo 6 (Sol y media luna) Gobo 1 vibrando Gobo 2 vibrando Gobo 3 vibrando Gobo 4 vibrando Gobo 5 vibrando Gobo 6 vibrando
16	<b>Rotación Rueda de Gobo 1</b>	000ó 021 021ó 042 042ó 063 063ó 084 084ó 105 105ó 127 128ó 190 191ó 192 193ó 255	Posición 0-90 Posición 90-180 Posición 180-270 Posición 270-360 Posición 360-450 Posición 450-540 Giro en sentido horario, lento a rápido Parada Giro en sentido antihorario, lento a rápido
17	<b>Rueda de animación</b>	000ó 255	Rueda de efectos
18	<b>Rotación de rueda de animación</b>	000ó 124 125ó 130 131ó 255	Giro en sentido horario, lento a rápido Parada Giro en sentido antihorario, lento a rápido
19	<b>Prisma 1</b>	000ó 010 011ó 255	Sin función Efecto de prisma
20	<b>Rotación de prisma 1</b>	000ó 021 022ó 042 043ó 063 064ó 084 085ó 105 106ó 127 128ó 190 191ó 192 193ó 255	Posición 0-90 Posición 90-180 Posición 180-270 Posición 270-360 Posición 360-450 Posición 450-540 Giro en sentido horario, lento a rápido Parada Giro en sentido antihorario, lento a rápido
21	<b>Prisma 2</b>	000ó 010 011ó 255	Sin función Efecto de prisma
22	<b>Rotación de prisma 2</b>	000ó 021 022ó 042 043ó 063 064ó 084 085ó 105 106ó 127 128ó 190 191ó 192 193ó 255	Posición 0-90 Posición 90-180 Posición 180-270 Posición 270-360 Posición 360-450 Posición 450-540 Giro en sentido horario, lento a rápido Parada Giro en sentido antihorario, lento a rápido
23	<b>Difusor</b>	000ó 255	0-100%
24	<b>Zoom</b>	000ó 255	0-100%
25	<b>Foco</b>	000ó 255	0-100%

26	Modo de haz	000 ó 010	Sin función
		011 ó 255	Modo de haz
27	Control	000 ó 029	Sin función
		030 ó 039	Intercambio XY activado
		040 ó 049	Intercambio XY desactivado
		050 ó 059	Modo zoom/autofoco activado
		060 ó 069	Modo zoom/autofoco desactivado
		070 ó 079	Habilitar blackout XY
		080 ó 089	Deshabilitar blackout XY
		090 ó 099	Habilitar blackout de color
		100 ó 109	Deshabilitar blackout de color
		110 ó 119	Habilitar blackout de gobo
		120 ó 129	Deshabilitar blackout de gobo
		130 ó 139	Lámpara encendida
		140 ó 149	Restablecer XY
		150 ó 159	Restablecer cabeza
		160 ó 169	Filtro suavizador automático activado
		170 ó 179	Filtro suavizador automático desactivado
		180 ó 189	Sin función
		190 ó 199	Sin función
		200 ó 209	Restablecer todo
		210 ó 219	Todo blackout habilitar
220 ó 229	Todo blackout deshabilitar		
230 ó 239	Lámpara apagada		
240 ó 245	Sin función		
246 ó 250	Sin función		
251 ó 255	Sin función		

## À Propos de ce Manuel

Le manuel de référence (MR) du Maverick MK1 Hybrid reprend des informations de base sur ce produit notamment en matière de connexions, montage, options de menu et valeurs DMX. Téléchargez le Manuel d'Utilisation sur [www.chauvetprofessional.com](http://www.chauvetprofessional.com) for pour de plus amples informations.

## Clause de Non-Responsabilité

Les informations et caractéristiques contenues dans ce manuel sont sujettes à changement sans préavis.

## Consignes de Sécurité

- N'ouvrez PAS cet appareil. Il ne contient aucun composant susceptible d'être réparé par l'utilisateur.
- Ne regardez PAS la source lumineuse lorsque le produit fonctionne.
- Durant les périodes de non-utilisation, pour éviter tout usure inutile et pour prolonger la durée de vie, déconnectez-entièrement l'appareil en le débranchant de l'alimentation électrique ou en coupant le disjoncteur.
- ATTENTION: Lorsque l'appareil est transféré d'un environnement à température extrême à un autre (par exemple d'un camion froid vers une salle de bal chaude et humide), de la condensation peut se former sur les composants électriques internes. Pour éviter de causer des dommages, laissez l'appareil s'acclimater entièrement au milieu environnant avant de le mettre sous tension.
- ATTENTION : le boîtier de ce produit peut s'avérer brûlant lors du fonctionnement.
- Montez toujours ce produit dans un endroit bien ventilé, à au moins 50 cm (20 pouces) des surfaces adjacentes.
- Ne laissez AUCUNE source inflammable dans un rayon de 50 cm du produit lorsque celui-ci fonctionne.
- Utilisez TOUJOURS un câble de sécurité lorsque vous montez ce produit en hauteur.
- N'utilisez PAS cet appareil en extérieur ou tout autre endroit où de la poussière, une chaleur excessive, de l'eau ou de l'humidité pourrait en affecter le fonctionnement. (IP20)
- N'utilisez PAS cet appareil si le boîtier, les lentilles ou les câbles vous semblent endommagés.
- Ne connectez ce produit NI à un gradateur NI à un rhéostat.
- Connectez UNIQUEMENT cet appareil à un circuit protégé et relié à la terre.
- N'utilisez QUE les lyres de suspension ou les poignées pour transporter cet appareil. Ne transportez jamais cet appareil par sa lyre asservie.
- En cas de sérieux problèmes de fonctionnement, arrêtez le système immédiatement.
- La température ambiante maximale doit être de 113° F (45° C). Ne le faites pas fonctionner à des températures plus élevées.

## Contact

En dehors des États-Unis, du Royaume-Uni, de l'Irlande, du Mexique, et du Benelux, contactez votre distributeur si vous avez besoin d'assistance ou de renvoyer votre produit. Aux États-Unis, au Royaume-Uni, en Irlande, au Mexique, et au Benelux, consultez la rubrique Contact Us en fin de MR pour plus d'informations

- Contenu**
- Maverick MK1 Hybrid
  - Cordon d'entrée d'alimentation
  - Support Omega avec matériel de fixation
  - Fiche de garantie
  - Manuel de référence

**Alimentation CA** Cet appareil est doté d'une alimentation universelle prenant en charge toute tension d'entrée comprise entre 100 et 240 VCA, 50/60 Hz.

Prise CA	Connexion	Câble (États-Unis)	Câble (Europe)	Couleur de la vis
	Conducteur CA	Noir	Marron	Jaune/Cuivré
	Neutre CA	Blanc	Bleu	Argenté
	Terre CA	Vert/Jaune	Vert/Jaune	Vert



**Durant les périodes de non-utilisation, pour éviter toute usure inutile et pour prolonger la durée de vie, déconnectez-entièrement l'appareil en le débranchant de l'alimentation électrique ou en coupant le disjoncteur.**

- Remplacement du Fusible**
1. Débranchez l'appareil de l'alimentation.
  2. À l'aide d'un tournevis à tête plate, dévissez le couvercle du porte-fusible du boîtier.
  3. Retirez le fusil obsolète et remplacez-le par un fusible en bon état de même type et ampérage.
  4. Revissez le couvercle du porte-fusible et rebranchez l'unité.

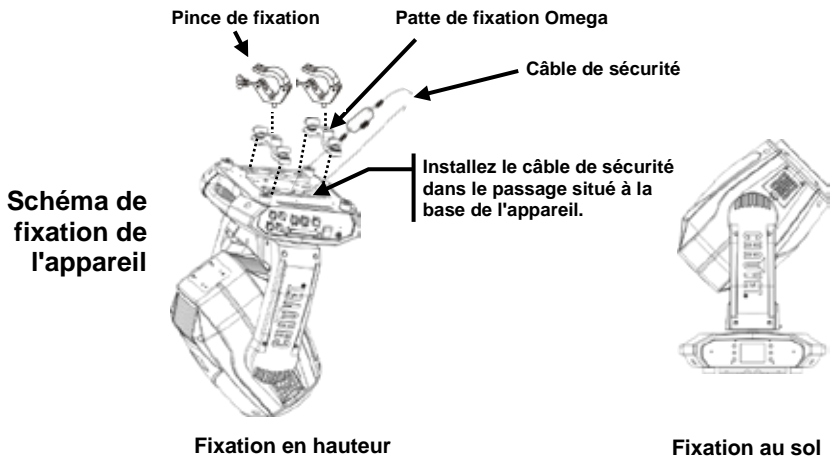
**Connexion DMX** Le Maverick MK1 Hybrid utilise une connexion de données DMX à 3 ou 5 broches pour ses personnalités DMX : **27** et **30**. Veuillez consulter le manuel d'utilisation pour plus d'informations sur les connexions et la configuration de l'appareil en mode DMX.

**Connexions du signal** Vous pouvez relier le Maverick MK1 Hybrid à un contrôleur ou à un logiciel de contrôle à l'aide d'une connexion DMX, une connexion Ethernet ou les deux à la fois. En cas d'utilisation du Maverick MK1 Hybrid conjointement avec d'autres appareils compatibles avec les protocoles Art-Net™, sACN ou Kling-Net, vous gardez le contrôle individuel sur un même réseau. Veuillez consulter le manuel d'utilisation pour plus d'informations sur la connexion et la configuration de l'appareil avec ces signaux.

**Connexion Art-Net™** Art-Net™ est un protocole Ethernet par TCP/IP qui permet de transférer de grandes quantités de données DMX512 en utilisant une connexion etherCON RJ45 sur un grand réseau. Une introduction au protocole Art-Net™ est disponible sur le site internet [www.chauvetprofessional.com](http://www.chauvetprofessional.com). Chauvet Professional recommande d'utiliser le mode Unicast pour de meilleurs résultats. Art-Net™ conçu et droit d'auteur par Artistic Licence Holdings Ltd.

**Connexion sACN** Également appelé ANSI E1.31, le streaming ACN est un protocole Ethernet qui utilise les couches et le formatage de l'Architecture for Control Networks pour transporter des données DMX512 par IP ou tout autre réseau compatible ACN. L'ACN est maintenu par la PLASA (Professional Lighting and Sound Association).

**Montage** Avant de monter cet appareil, lisez et assimilez les Consignes de Sécurité. Utilisez au moins deux points de montage pour cet appareil. Veillez à ce que les fixations sont capables de supporter le poids de l'unité. Découvrez notre gamme de fixations Chauvet sur <http://trusst.com/products/>.

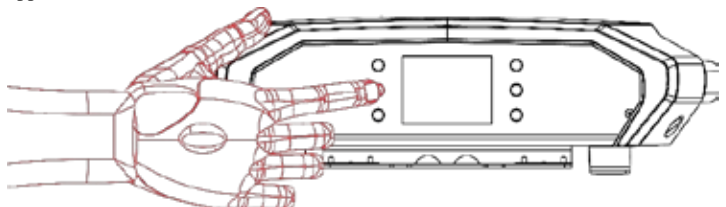


**Panneau de commande tactile** Le Maverick MK1 Hybrid est équipé d'un affichage avec un écran tactile ainsi que de 6 boutons de commande. L'écran tactile peut être verrouillé et calibré via l'option Setup (paramétrage) du menu.

**Description du panneau de commande**

Bouton	Fonction
< ↑ >	Permet de naviguer vers le haut dans la liste du menu ou d'incrémenter une valeur numérique dans une fonction
< ≡ >	Permet de sortir du menu ou de la fonction en cours
< ↓ >	Permet de naviguer vers le bas dans la liste du menu ou de décrémenter une valeur numérique dans une fonction
< ← >	Permet de se déplacer vers la gauche dans le menu.
< ↩ >	Active l'entrée de menu actuellement affichée ou confirme la valeur actuellement sélectionnée pour la fonction en cours de sélection
< → >	Permet de se déplacer vers la droite dans le menu

**Affichage à piles** Appuyez sur la touche et maintenez-la enfoncée jusqu'à ce que l'écran du menu apparaisse (environ 15 secondes).



## Plan du menu

Niveau principal	Niveaux de programmation		Description
<b>Address</b>	<b>000–255</b>		Paramétrage réseau
<b>Art-Net Setup</b>	<b>IP Mode</b>	<b>Manual</b>	Sélection du mode IP
		<b>DHCP</b>	
		<b>Static</b>	
	<b>Universe</b>	<b>0 ~ 255</b>	Permet de définir l'univers
	<b>ArtNetIp</b>	<b>002.243.075.222</b>	Paramétrage de l'IP
	<b>SubMask</b>	<b>255.000.000.000</b>	Masque de sous-réseau
<b>Personality</b>	<b>DMX 27CH</b>	<b>YES</b>	Sélection de 27 canaux DMX
		<b>NO</b>	
	<b>DMX 30CH</b>	<b>YES</b>	Sélection de 30 canaux DMX
		<b>NO</b>	
<b>Settings</b>	<b>Control Mode</b>	<b>DMX</b>	Sélection du signal
		<b>WDMX</b>	
		<b>ArtNet</b>	
		<b>sACN</b>	
	<b>Pan Reverse</b>	<b>YES</b>	Permet d'inverser le balayage
		<b>NO</b>	
	<b>Tilt Reverse</b>	<b>YES</b>	Permet d'inverser le basculement
		<b>NO</b>	
	<b>Screen Reverse</b>	<b>NO</b>	Inversion manuelle ou automatique de l'écran
		<b>YES</b>	
		<b>AUTO</b>	
	<b>Pan Angle</b>	<b>540</b>	Permet de modifier l'angle de balayage
		<b>360</b>	
		<b>180</b>	
	<b>Tilt Angle</b>	<b>270</b>	Permet de modifier l'angle de balayage
		<b>180</b>	
		<b>90</b>	
	<b>BL. O. P/T Move</b>	<b>YES</b>	Activer/désactiver le noir général XY
		<b>NO</b>	
	<b>BL. O. Color Move</b>	<b>YES</b>	Activer/désactiver l'extinction des couleurs
<b>NO</b>			
<b>BL. O. Gobo Move</b>	<b>YES</b>	Activer/désactiver l'extinction du gobo	
	<b>NO</b>		
<b>Calibration</b>	<b>YES</b>	Activation du calibrage	
	<b>NO</b>		

Niveau principal	Niveaux de programmation		Description	
Settings (Continued)	Touchscreen Lock	YES	Verrouillage de l'écran tactile	
		NO		
	Swap X/Y	YES	Permet de permuter le balayage et le basculement	
		NO		
	X/Y Mode	Fast	Permet de modifier la vitesse de basculement	
		Slow		
	WDMX Reset	YES	Permet de réinitialiser le DMX sans fil	
		NO		
	Backlight Timer	30S	Permet d'éteindre automatiquement le rétro-éclairage après un laps de temps défini	
		1M		
		5M		
		ON		
	Loss of Data	Hold	Paramétrage de la perte de données	
		Close		
	Safety Beam	OFF	Mode faisceau de sécurité	
		ON		
	Lamp Setting	On/Off	OFF	Lampe éteinte ou allumée
			ON	
		State/Power On	OFF	État de la lampe montré lorsque la lampe est allumée.
			ON	
		Off Via DMX	NO	Contrôle de la lampe par DMX
			YES	
		On If DMX On	NO	Lampe allumée si DMX en marche
YES				
Off If DMX Off		NO	Lampe éteinte si DMX éteint	
		YES		
Ignition Delay	10 ~ 255	Paramétrer un délai pour l'allumage de la lampe		
Low Power Delay	0 ~ 255	Durée avant le passage en mode économie d'énergie		
Reset Lamp Time	NO	Réinitialiser le temps restant pour la lampe		
	YES			
Special Set	Interval	10 ~ 250	Paramétrage du rappel de maintenance de la lampe	
	Remain Time	10 ~ 250	Temps restant pour la lampe	
Preset Select	PRESET A		Options de menu des préréglages enregistrés	
	PRESET B			
	PRESET C			



Niveau principal	Niveaux de programmation		Description	
	<b>Preset Sync</b>	<b>NO</b>	Permet de transférer les options de menu des pré réglages enregistrés vers d'autres appareils Maverick MK1 Hybrid de la chaîne DMX en guirlande	
		<b>YES</b>		
	<b>Reset Function</b>	<b>Pan/Tilt</b>	<b>YES/NO</b>	Permet de réinitialiser au paramétrage d'usine chaque fonction
		<b>Head</b>		
		<b>All</b>		
	<b>Factory Settings</b>	<b>NO</b>		Permet de réinitialiser toutes les fonctions au paramétrage d'usine
<b>YES</b>				
<b>Test</b>	<b>Auto Test</b>		Test automatisé de l'appareil	
	<b>Manual Test</b>	<b>Pan</b>	<b>0 ~ 255</b>	Test individuel de chaque fonction/canal
		<b>Pan Fine</b>	<b>0 ~ 255</b>	
		<b>Tilt</b>	<b>0 ~ 255</b>	
		<b>Tilt Fine</b>	<b>0 ~ 255</b>	
		<b>P/T Speed</b>	<b>0 ~ 255</b>	
		<b>Cyan</b>	<b>0 ~ 255</b>	
		<b>Magenta</b>	<b>0 ~ 255</b>	
		<b>Yellow</b>	<b>0 ~ 255</b>	
		<b>Color1</b>	<b>0 ~ 255</b>	
		<b>Color2</b>	<b>0 ~ 255</b>	
		<b>Color3</b>	<b>0 ~ 255</b>	
		<b>Shutter</b>	<b>0 ~ 255</b>	
		<b>Dimmer</b>	<b>0 ~ 255</b>	
		<b>Dimmer Fine</b>	<b>0 ~ 255</b>	
		<b>Gobo</b>	<b>0 ~ 255</b>	
		<b>Animation</b>	<b>0 ~ 255</b>	
		<b>Animation Rotate</b>	<b>0 ~ 255</b>	
		<b>Gobo</b>	<b>0 ~ 255</b>	
		<b>Gobo Rotate</b>	<b>0 ~ 255</b>	
		<b>Gobo Rotate Fine</b>	<b>0 ~ 255</b>	
		<b>Prism</b>	<b>0 ~ 255</b>	
		<b>Prism1 Rotate</b>	<b>0 ~ 255</b>	
		<b>Prism2 Rotate</b>	<b>0 ~ 255</b>	
		<b>Frost</b>	<b>0 ~ 255</b>	
		<b>Zoom</b>	<b>0 ~ 255</b>	
		<b>Focus</b>	<b>0 ~ 255</b>	

Niveau principal	Niveaux de programmation		Description	
		<b>Fine Focus</b>	0 ~ 255	
		<b>Beam Mode</b>	0 ~ 255	
		<b>Special Function</b>	0 ~ 255	
Information	Fixture Information	<b>Ver</b>	V1	Version courante
		<b>Running Mode</b>	DMX	Mode courant
		<b>DMX Address</b>	001	
		<b>Temperature</b>	025	Température actuelle
		<b>Fixture Hours</b>	00000	Durée de fonctionnement actuelle
		<b>ArtNetIp</b>	002.243.075.222	Adresse IP courante
		<b>SubMask</b>	255.000.000.000	Affiche le masque de sous-réseau actuel
		<b>MAC</b>	00.04.a3.08.00.00	Adresse MAC
	Fan Information	<b>Base Fan1 Speed</b>	2000rpm	Visualiser le paramétrage de vitesse
		<b>Base Fan2 Speed</b>	2000rpm	Visualiser le paramétrage de vitesse
		<b>Head Fan1 Speed</b>	2000rpm	Visualiser le paramétrage de vitesse
		<b>Head Fan2 Speed</b>	2000rpm	Visualiser le paramétrage de vitesse
	Error Information		-----	Apparaît à l'écran
	Channel Information	<b>Frequency</b>	0Hz	Statut de chaque canal
		<b>Pan</b>	0 ~ 255	
		<b>Pan Fine</b>	0 ~ 255	
		<b>Tilt</b>	0 ~ 255	
		<b>Tilt Fine</b>	0 ~ 255	
		<b>P/T Speed</b>	0 ~ 255	
		<b>Cyan</b>	0 ~ 255	
		<b>Magenta</b>	0 ~ 255	
		<b>Yellow</b>	0 ~ 255	
		<b>Color1</b>	0 ~ 255	
<b>Color2</b>		0 ~ 255		
<b>Color3</b>		0 ~ 255		
<b>Shutter</b>		0 ~ 255		
<b>Dimmer</b>		0 ~ 255		
<b>Dimmer Fine</b>		0 ~ 255		
<b>Gobo</b>		0 ~ 255		
<b>Animation</b>	0 ~ 255			
<b>Animation Rotate</b>	0 ~ 255			
<b>Gobo</b>	0 ~ 255			

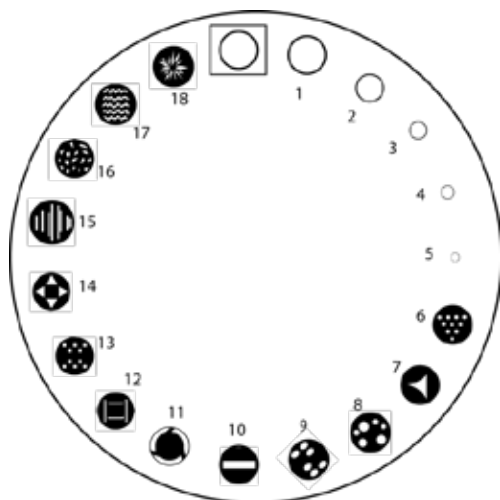
Niveau principal	Niveaux de programmation		Description	
Information (suite)	Channel Information (suite)	Gobo Rotate	0 ~ 255	Statut de chaque canal
		Gobo Rotate Fine	0 ~ 255	
		Prism	0 ~ 255	
		Prism1 Rotate	0 ~ 255	
		Prism2 Rotate	0 ~ 255	
		Frost	0 ~ 255	
		Zoom	0 ~ 255	
		Focus	0 ~ 255	
		Fine Focus	0 ~ 255	
		Beam Mode	0 ~ 255	
Special Function	0 ~ 255			

## Motifs de gobos



### Roue de gobo rotatif

1. Fourches tournantes
2. Vagues éparpillées
3. Étoile radiale
4. Champ d'étoiles
5. Triangle brisé
6. Demi-lune et soleil



### Roue de gobo statique

1. Ouverture 5/6
2. Ouverture 2/3
3. Ouverture 1/2
4. Ouverture 1/3
5. Pleine ouverture
6. Triangle de points
7. Triangle courbé
8. Points aléatoires
9. Points symétriques
10. Ligne
11. Cercle laser
12. Lignes carrées
13. Casse brique
14. Carré de triangles
15. Stores
16. Barre Crunch
17. 5 vagues
18. Jets

## Valeurs DMX

30CH	Canal	Fonction	Valeur	Pourcentage/Paramétrage
	1	Pan (balayage)	000ó 255	0–100%
	2	Fine Pan (balayage fin)	000ó 255	0–100%
	3	Tilt (basculement)	000ó 255	0–100%
	4	Fine Tilt (basculement fin)	000ó 255	0–100%
	5	Pan/Tilt Speed (vitesse de balayage/basculement)	000ó 255	0–100%
	6	Dimmer (gradateur)	000ó 255	0–100%
	7	Fine Dimmer (gradateur fin)	000ó 255	0–100%
	8	Shutter (obturateur)	000ó 007 008ó 015 016ó 131 132ó 167 168ó 203 204ó 239 240ó 247 248ó 255	Fermé Ouvert Lent à rapide Fermeture rapide, ouverture lente Fermeture lente, ouverture rapide Effet de pulsation lent à rapide Effet aléatoire lent à rapide Ouvert
	9	Cyan	000ó 255	0–100%
	10	Magenta	000ó 255	0–100%
	11	Jaune	000ó 255	0–100%
	12	Roue de couleurs 1	000 028 050 080 100 129 150 181 200 235 255	Blanc Blanc + adoucisseur de rayon Adoucisseur de rayon Adoucisseur de rayon + lavande Lavande Lavande + CTO 3200K CTO 3200K CTO 3200K + (UV) (UV) (UV) + CTO 2500K CTO 2500K
	13	Roue de couleurs 2	000 028 050 080 100 129 150 181 200 235 255	Blanc Blanc + adoucisseur de rayon Adoucisseur de rayon Adoucisseur de rayon + vert foncé Vert foncé Vert foncé + rouge foncé Rouge foncé Rouge foncé + bleu foncé Bleu foncé Bleu foncé + Minus Green (magenta de correction du vert) Minus Green

30CH	Canal	Fonction	Valeur	Pourcentage/Paramétrage			
14		Roue de couleurs 3	000	Blanc			
			028	Blanc + adoucisseur de rayon			
			050	Adoucisseur de rayon			
			080	Adoucisseur de rayon + orange foncé			
			100	Orange foncé			
			129	Orange foncé + orange clair			
			150	Orange clair			
			181	Orange clair + vert clair			
			200	Vert clair			
			235	Vert clair + rose			
			255	Rose			
			15		Roue de gobos 1 <a href="#">[Motifs de gobos]</a>	000	Ouvert
						004	Gobo 1 (ouverture 5/6)
						008	Gobo 2 (ouverture 2/3)
012	Gobo 3 (ouverture 1/2)						
016	Gobo 4 (ouverture 1/3)						
019	Gobo 5 (pleine ouverture)						
023	Gobo 6 (triangle de points)						
027	Gobo 7 (triangle courbé)						
031	Gobo 8 (points aléatoires)						
035	Gobo 9 (points symétriques)						
038	Gobo 10 (ligne)						
042	Gobo 11 (cercle laser)						
046	Gobo 12 (lignes carrées)						
050	Gobo 13 (casse-brique)						
054	Gobo 14 (carré de triangles)						
057	Gobo 15 (stores)						
061	Gobo 16 (barre Crunch)						
065	Gobo 17 (5 vagues)						
069	Gobo 18 (jets)						
072	Défilement horaire de gobo, rapide à lent arrêt						
113							
114	Défilement antihoraire de gobo, tremblement						
117							
118	gobo 1 lent à rapide						
159							
160	Tremblement gobo 2						
165							
166	Tremblement gobo 3						
170							
171	Tremblement gobo 4						
175							
176	Tremblement gobo 5						
181							
182	Tremblement gobo 6						
186							
187	Tremblement gobo 7						
191							
192	Tremblement gobo 8						
197							
198	Tremblement gobo 9						
202							
203	Tremblement gobo 10						
207							
208	Tremblement gobo 11						
214							
215	Tremblement gobo 12						
218							
219	Tremblement gobo 13						
223							
224	Tremblement gobo 14						
229							
230	Tremblement gobo 15						
234							
235	Tremblement gobo 16						
239							
240	Tremblement gobo 17						
245							
246	Tremblement gobo 18						
250							
251							
255							

<b>30CH</b>	<b>Canal</b>	<b>Fonction</b>	<b>Valeur</b>	<b>Pourcentage/Paramétrage</b>
	<b>16</b>	<b>Roue de gobos 2</b> <a href="#">[Motifs de gobos]</a>	000ó 018 019ó 037 038ó 056 057ó 074 075ó 092 093ó 111 112ó 129 130ó 150 151ó 171 172ó 192 193ó 213 214ó 234 235ó 255	Blanc Gobo 1 (fourches tournantes) Gobo 2 (barre ondulée) Gobo 3 (étoile radiale) Gobo 4 (champ d'étoile) Gobo 5 (triangle brisé) Gobo 6 (demi-lune et soleil) Tremblement gobo 1 Tremblement gobo 2 Tremblement gobo 3 Tremblement gobo 4 Tremblement gobo 5 Tremblement gobo 6
	<b>17</b>	<b>Rotation roue de gobos 1</b>	000ó 021 022ó 042 043ó 063 064ó 084 085ó 105 106ó 127 128ó 190 191ó 192 193ó 255	position 0-90 position 90-180 position 180-270 position 270-360 position 360-450 position 450-540 Rotation horaire, lent à rapide Arrêt Rotation antihoraire, lent à rapide
	<b>18</b>	<b>Indexage de gobo 16-bit</b>	000ó 255	Réglable sur 16-bit
	<b>19</b>	<b>Roue d'animations</b>	000ó 255	Roue d'effets
	<b>20</b>	<b>Rotation roue d'animations</b>	000ó 124 125ó 130 131ó 255	Rotation horaire, lent à rapide Arrêt Rotation antihoraire, lent à rapide
	<b>21</b>	<b>Prisme 1</b>	000ó 010 011ó 255	Aucune fonction Effet de prisme
	<b>22</b>	<b>Rotation Prisme 1</b>	000ó 021 022ó 042 043ó 063 064ó 084 085ó 105 106ó 127 128ó 190 191ó 192 193ó 255	position 0-90 position 90-180 position 180-270 position 270-360 position 360-450 position 450-540 Rotation horaire, lent à rapide Arrêt Rotation antihoraire, lent à rapide
	<b>23</b>	<b>Prisme 2</b>	000ó 010 011ó 255	Aucune fonction Effet de prisme
	<b>24</b>	<b>Rotation Prisme 2</b>	000ó 021 022ó 042 043ó 063 064ó 084 085ó 105 106ó 127 128ó 190 191ó 192 193ó 255	position 0-90 position 90-180 position 180-270 position 270-360 position 360-450 position 450-540 Rotation horaire, lent à rapide Arrêt Rotation antihoraire, lent à rapide
	<b>25</b>	<b>Diffusion</b>	000ó 255	0-100%

<b>30CH</b>	<b>Canal</b>	<b>Fonction</b>	<b>Valeur</b>	<b>Pourcentage/Paramétrage</b>
	<b>26</b>	<b>Zoom</b>	000ó 255	0–100%
	<b>27</b>	<b>Mise au point</b>	000ó 255	0–100%
	<b>28</b>	<b>Mise au point fine</b>	000ó 255	0–100%
	<b>29</b>	<b>Mode du faisceau</b>	000ó 010 011ó 255	Aucune fonction Beam Mode (mode du faisceau)
	<b>30</b>	<b>Contrôle</b>	000ó 029 030ó 039 040ó 049 050ó 059 060ó 069 070ó 079 080ó 089 090ó 099 100ó 109 110ó 119 120ó 129 130ó 139 140ó 149 150ó 159 160ó 169 170ó 179 180ó 189 190ó 199 200ó 209 210ó 219 220ó 229 230ó 239 240ó 245 246ó 250 251ó 255	Aucune fonction Permutation XY activée Permutation XY désactivée Mode zoom/mise au point auto activé Mode zoom/mise au point auto désactivé Activation noir général XY Désactivation noir général XY Activation arrêt des couleurs Désactivation arrêt des couleurs Activation arrêt des gobos Désactivation arrêt des gobos Lampe allumée Réinitialisation XY Réinitialisation de la tête Filtre adoucisseur automatique activé Filtre adoucisseur automatique désactivé Aucune fonction Aucune fonction Tout réinitialiser Activation arrêt total Désactivation arrêt total Lampe éteinte Aucune fonction Aucune fonction Aucune fonction

27CH	Canal	Fonction	Valeur	Pourcentage/Paramétrage
	1	Pan (balayage)	000ó 255	0–100%
	2	Fine Pan (balayage fin)	000ó 255	0–100%
	3	Tilt (basculement)	000ó 255	0–100%
	4	Fine Tilt (basculement fin)	000ó 255	0–100%
	5	Pan/Tilt Speed (vitesse de balayage/basculement)	000ó 255	0–100%
	6	Dimmer (gradateur)	000ó 255	0–100%
	7	Shutter (obturateur)	000ó 007 008ó 015 016ó 131 132ó 167 168ó 203 204ó 239 240ó 247 248ó 255	Fermé Ouvert Lent à rapide Fermeture rapide, ouverture lente Fermeture lente, ouverture rapide Effet de pulsation lent à rapide Effet aléatoire lent à rapide Ouvert
	8	Cyan	000ó 255	0–100%
	9	Magenta	000ó 255	0–100%
	10	Jaune	000ó 255	0–100%
	11	Roue de couleurs 1	000 028 050 080 100 129 150 181 200 235 255	Blanc Blanc + adoucisseur de rayon Adoucisseur de rayon Adoucisseur de rayon + lavande Lavande Lavande + CTO 3200K CTO 3200K CTO 3200K + (UV) (UV) (UV) + CTO 2500K CTO 2500K
	12	Roue de couleurs 2	000 028 050 080 100 129 150 181 200 235 255	Blanc Blanc + adoucisseur de rayon Adoucisseur de rayon Adoucisseur de rayon + vert foncé Vert foncé Vert foncé + rouge foncé Rouge foncé Rouge foncé + bleu foncé Bleu foncé Bleu foncé + Minus Green (magenta de correction du vert) Minus Green



27CH	Canal	Fonction	Valeur	Pourcentage/Paramétrage			
13		Roue de couleurs 3	000	Blanc			
			028	Blanc + adoucisseur de rayon			
			050	Adoucisseur de rayon			
			080	Adoucisseur de rayon + orange foncé			
			100	Orange foncé			
			129	Orange foncé + orange clair			
			150	Orange clair			
			181	Orange clair + vert clair			
			200	Vert clair			
			235	Vert clair + rose			
			255	Rose			
			14		Roue de gobos 1 <a href="#">[Motifs de gobos]</a>	000	Ouvert
						004	Gobo 1 (ouverture 5/6)
008	Gobo 2 (ouverture 2/3)						
012	Gobo 3 (ouverture 1/2)						
016	Gobo 4 (ouverture 1/3)						
019	Gobo 5 (pleine ouverture)						
023	Gobo 6 (triangle de points)						
027	Gobo 7 (triangle courbé)						
031	Gobo 8 (points aléatoires)						
035	Gobo 9 (points symétriques)						
038	Gobo 10 (ligne)						
042	Gobo 11 (cercle laser)						
046	Gobo 12 (lignes carrées)						
050	Gobo 13 (casse-brique)						
054	Gobo 14 (carré de triangles)						
057	Gobo 15 (stores)						
061	Gobo 16 (barre Crunch)						
065	Gobo 17 (5 vagues)						
069	Gobo 18 (jets)						
072	113	Défilement horaire de gobo, rapide à lent					
114	117	arrêt					
118	159	Défilement antihoraire de gobo, tremblement					
160	165	gobo 1 lent à rapide					
166	170	Tremblement gobo 2					
171	175	Tremblement gobo 3					
176	181	Tremblement gobo 4					
182	186	Tremblement gobo 5					
187	191	Tremblement gobo 6					
192	197	Tremblement gobo 7					
198	202	Tremblement gobo 8					
203	207	Tremblement gobo 9					
208	214	Tremblement gobo 10					
215	218	Tremblement gobo 11					
219	223	Tremblement gobo 12					
224	229	Tremblement gobo 13					
230	234	Tremblement gobo 14					
235	239	Tremblement gobo 15					
240	245	Tremblement gobo 16					
246	250	Tremblement gobo 17					
251	255	Tremblement gobo 18					

27CH	Canal	Fonction	Valeur	Pourcentage/Paramétrage
	15	<b>Roue de gobos 2</b> <a href="#">[Motifs de gobos]</a>	000◊ 018 019◊ 037 038◊ 056 057◊ 074 075◊ 092 093◊ 111 112◊ 129 130◊ 150 151◊ 171 172◊ 192 193◊ 213 214◊ 234 235◊ 255	Blanc Gobo 1 (fourches tournantes) Gobo 2 (barre ondulée) Gobo 3 (étoile radiale) Gobo 4 (champ d'étoile) Gobo 5 (triangle brisé) Gobo 6 (demi-lune et soleil) Tremblement gobo 1 Tremblement gobo 2 Tremblement gobo 3 Tremblement gobo 4 Tremblement gobo 5 Tremblement gobo 6
	16	<b>Rotation roue de gobos 2</b>	000◊ 021 022◊ 042 043◊ 063 064◊ 084 085◊ 105 106◊ 127 128◊ 190 191◊ 192 193◊ 255	position 0-90 position 90-180 position 180-270 position 270-360 position 360-450 position 450-540 Rotation horaire, lent à rapide Arrêt Rotation antihoraire, lent à rapide
	17	<b>Roue d'animations</b>	000◊ 255	Roue d'effets
	18	<b>Rotation roue d'animations</b>	000◊ 124 125◊ 130 131◊ 255	Rotation horaire, lent à rapide Arrêt Rotation antihoraire, lent à rapide
	19	<b>Prisme 1</b>	000◊ 010 011◊ 255	Aucune fonction Effet de prisme
	20	<b>Rotation Prisme 1</b>	000◊ 021 022◊ 042 043◊ 063 064◊ 084 085◊ 105 106◊ 127 128◊ 190 191◊ 192 193◊ 255	position 0-90 position 90-180 position 180-270 position 270-360 position 360-450 position 450-540 Rotation horaire, lent à rapide Arrêt Rotation antihoraire, lent à rapide
	21	<b>Prisme 2</b>	000◊ 010 011◊ 255	Aucune fonction Effet de prisme
	22	<b>Rotation Prisme 2</b>	000◊ 021 022◊ 042 043◊ 063 064◊ 084 085◊ 105 106◊ 127 128◊ 190 191◊ 192 193◊ 255	position 0-90 position 90-180 position 180-270 position 270-360 position 360-450 position 450-540 Rotation horaire, lent à rapide Arrêt Rotation antihoraire, lent à rapide
	23	<b>Diffusion</b>	000◊ 255	0-100%
	24	<b>Zoom</b>	000◊ 255	0-100%

<b>27CH</b>	<b>Canal</b>	<b>Fonction</b>	<b>Valeur</b>	<b>Pourcentage/Paramétrage</b>
	<b>25</b>	<b>Mise au point</b>	000 ó 255	0–100%
	<b>26</b>	<b>Mode du faisceau</b>	000 ó 010 011 ó 255	Aucune fonction Beam Mode (mode du faisceau)
	<b>27</b>	<b>Contrôle</b>	000 ó 029 030 ó 039 040 ó 049 050 ó 059 060 ó 069 070 ó 079 080 ó 089 090 ó 099 100 ó 109 110 ó 119 120 ó 129 130 ó 139 140 ó 149 150 ó 159 160 ó 169 170 ó 179 180 ó 189 190 ó 199 200 ó 209 210 ó 219 220 ó 229 230 ó 239 240 ó 245 246 ó 250 251 ó 255	Aucune fonction Permutation XY activée Permutation XY désactivée Mode zoom/mise au point auto activé Mode zoom/mise au point auto désactivé Activation noir général XY Désactivation noir général XY Activation arrêt des couleurs Désactivation arrêt des couleurs Activation arrêt des gobos Désactivation arrêt des gobos Lampe allumée Réinitialisation XY Réinitialisation de la tête Filtre adoucisseur automatique activé Filtre adoucisseur automatique désactivé Aucune fonction Aucune fonction Tout réinitialiser Activation arrêt total Désactivation arrêt total Lampe éteinte Aucune fonction Aucune fonction Aucune fonction

**Over deze handleiding** De Maverick MK1 Hybrid Beknopte Handleiding (BH) bevat basisinformatie over het product, zoals aansluiting, montage, menu-opties en DMX-waarden. Download de gebruikershandleiding op [www.chauvetprofessional.com](http://www.chauvetprofessional.com) voor meer informatie.

**Disclaimer** De informatie en specificaties in deze BH kunnen zonder voorafgaande kennisgeving worden gewijzigd.

### **Veiligheids-instructies**

- Open het product NIET. Het bevat geen te onderhouden onderdelen.
- KIJK NIET in de lichtbron wanneer het apparaat is ingeschakeld.
- Om onnodige slijtage te elimineren en zijn levensduur te verlengen, gedurende perioden wanneer het product niet wordt gebruikt, moet u het product van de stroom afsluiten door een aardlekschakelaar om te zetten of door het te ontkoppelen.
- LET OP: Bij het verplaatsen van het product uit extreme omgevingen, (bijv. koude vrachtwagen naar warme, vochtige balzaal) kan er condensvorming optreden op de elektronica van het product. Om storingen te vermijden moet het product volledig kunnen acclimatiseren aan de omgeving voordat het op stroom wordt aangesloten.
- LET OP: De behuizing van dit product kan heet zijn wanneer het in bedrijf is.
- Monteer dit product op een plek met voldoende ventilatie, ten minste 50 cm van de aangrenzende oppervlakken.
- Plaats geen ontvlambaar materiaal binnen 50 cm van dit product als het in gebruik is of is aangesloten op het stopcontact.
- GEBRUIK een veiligheidskabel bij het boven het hoofd plaatsen van dit product.
- Gebruik dit product NIET buitenshuis of op een locatie waar stof, grote warmte, water of vochtigheid het kunnen beïnvloeden. (IP20)
- Gebruik dit product NIET als de behuizing, lenzen of kabels beschadigd lijken.
- Sluit dit product NIET aan op een dimmer of een regelweerstand.
- Sluit dit product UITSLUITEND op een geaard en beveiligd stroomcircuit.
- Gebruik UITSLUITEND de montagebeugels of de hendels om dit product te dragen. Draag het product niet aan de bewegende kop.
- Stop in het geval van ernstige operationele problemen onmiddellijk met het gebruik.
- De maximale omgevingstemperatuur bedraagt 45 °C. Gebruik dit product niet bij hogere temperaturen.

**Contact** Van buiten de VS, Verenigd Koninkrijk, Ierland, Mexico of Benelux kunt u contact opnemen met de distributeur of om ondersteuning vragen dan wel het product retourneren. Maak vanuit de VS, het VK, Ierland, Mexico of Benelux gebruik van de informatie onder Contact Us aan het einde van deze BH.

- Wat is inbegrepen**
- Maverick MK1 Hybrid
  - Stroomsnoer
  - Omegabeugel met bevestigingsapparatuur
  - Garantiekaart
  - Beknopte handleiding

**AC-stroom** Dit product heeft een auto-bereik voeding die kan werken met een ingangsspanning van 100 tot 240 VAC, 50/60 Hz.

AC-stekker	Aansluiting	Snoer (VS)	Snoer (Europa)	Schroefkleur
	AC Live	Zwart	Bruin	Geel/messing
	AC Neutraal	Wit	Blauw	Zilver
	AC Aarde	Groen/geel	Groen/geel	Groen



**Sluit om onnodige slijtage te verhinderen en de levensduur te verlengen tijdens periodes van niet-gebruik het product via stroomonderbreker of de stekker volledig van stroom af.**

### Vervangen van de zekering

1. Ontkoppel dit product van de stroom.
2. Gebruik een platkopschroevendraaier en schroef de kap van de zekeringshouder los van de behuizing.
3. Verwijder de doorgebrande zekering en vervang het met een werkende zekering van hetzelfde type en met dezelfde waarde.
4. Schroef de kap van de zekeringhouder terug en steek de stekker er weer in.

### DMX-aansluiting

De Maverick MK2 Spot kan met een DMX-controller werken met een 3-pins of 5-pins DMX-gegevensverbinding. Op [www.chauvetprofessional.com](http://www.chauvetprofessional.com) is een DMX-basishandleiding verkrijgbaar.

### DMX-aansluiting

De Maverick MK1 Hybrid gebruikt een 3- of 5-pins normale DMX-gegevensverbinding voor zijn DMX-persoonlijkheden: **27** en **30**. Zie de gebruikershandleiding voor meer informatie over het verbinden en configureren van het product voor DMX-werking.

### Signaal-verbindingen

U kunt de Maverick MK2 Spot aansluiten op een controller of controllersoftware met behulp van een DMX-aansluiting, een ethernetverbinding of beide.. Bij het gebruik van andere Art-Net™, sACN, of Kling-Net-compatible producten met de Maverick MK2 Spot, kunt u deze individueel aansturen op een enkel netwerk. Zie de gebruikershandleiding voor meer informatie over het verbinden en configureren van het product voor deze signalen.

### Art-Net™-aansluiting

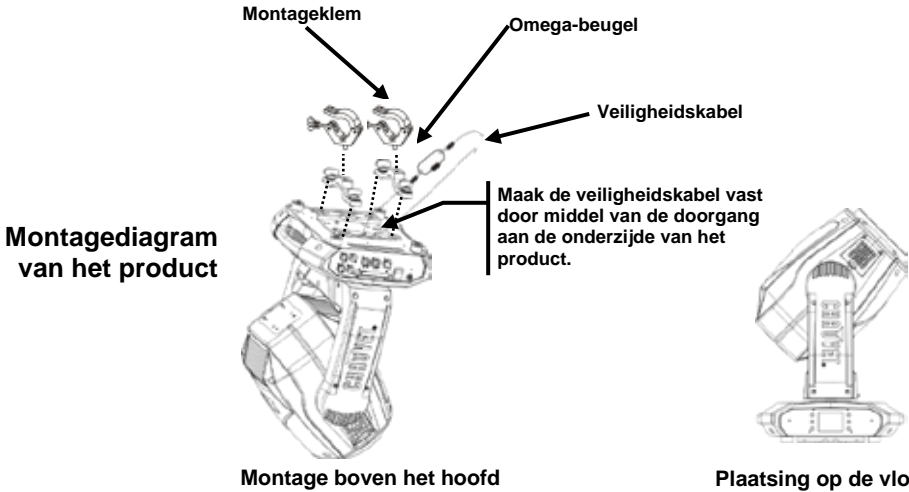
Art-Net™ is een ethernet-protocol dat gebruikmaakt van TCP/IP dat over een groot netwerk grote hoeveelheden DMX512-gegevens verzendt met behulp van een etherCON RJ45-verbinding. Een Art-Net™-protocoldocument is te verkrijgen op [www.chauvetprofessional.com](http://www.chauvetprofessional.com). Chauvet Professional raadt het gebruik van unicast-modus voor het beste resultaat.

Art-Net™ ontworpen en auteursrecht door Artistic Licence Holdings Ltd.

### sACN-aansluiting

Streaming-ACN staat ook wel bekend als ANSI E1.31 en is een ethernetprotocol dat de laag- en opmaakstructuur gebruikt van Architecture for Control Networks om DMX512-gegevens te transporteren over IP of een ander ACN compatibel netwerk. ACN wordt onderhouden door de Professional Lighting and Sound Association (PLASA).

**Montage** Lees alvorens dit product te monteren alle [Veiligheidsinstructies](#). Gebruik ten minste twee montagepunten per product. Controleer of de montageklem het gewicht van het product kan dragen. Ga voor onze Chauvet-serie montageklemmen naar <http://trusst.com/products/>.

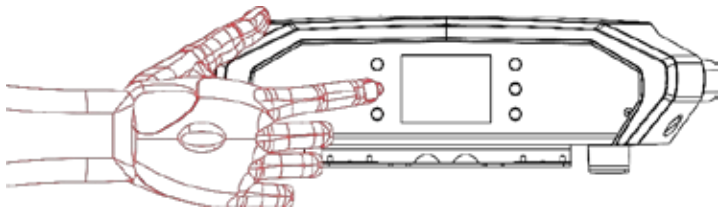


**Aanraakscherm-bedieningspaneel** De Maverick MK1 Hybrid heeft een aanraakscherm en 6 bedieningsknoppen. Met de Setup-opties in het menu kan het aanraakscherm worden vergrendeld en gekalibreerd.

**Beschrijving bedieningspaneel**

Toets	Functie
< ↑ >	Navigeert omhoog via het menu of verhoogt de numerieke waarde wanneer in een functie
< ≡ >	Sluit het huidige menu of functie af
< ↓ >	Navigeert omlaag via het menu of verlaagt de numerieke waarde wanneer in een functie
< ← >	Navigeert naar links door de menulijst
< ↶ >	Activeert het huidige getoonde menu of plaatst de huidige geselecteerde waarde in de geselecteerde functie
< ↷ >	Navigeert naar rechts door de menulijst

**Display op batterijstroom** Ingedrukt houden totdat het menuscherm verschijnt (ongeveer 15 sec).



## MenuMap

Hoofdniveau	Programmeerniveaus		Beschrijving
<b>Address</b>	<b>000–255</b>		Netwerkinstelling
<b>Art-Net Setup</b>	<b>IP Mode</b>	<b>Manual</b>	Selectie van IP-modus
		<b>DHCP</b>	
		<b>Static</b>	
	<b>Universe</b>	<b>0 ~ 255</b>	Instellen van de Universe
	<b>ArtNetIp</b>	<b>002.243.075.222</b>	IP-instelling
	<b>SubMask</b>	<b>255.000.000.000</b>	Subnet Mask
<b>Personality</b>	<b>DMX 27CH</b>	<b>YES</b>	Kies 27 DMX-kanalen
		<b>NO</b>	
	<b>DMX 30CH</b>	<b>YES</b>	Kies 30 DMX-kanalen
		<b>NO</b>	
<b>Settings</b>	<b>Control Mode</b>	<b>DMX</b>	Signaalselectie
		<b>WDMX</b>	
		<b>ArtNet</b>	
		<b>sACN</b>	
	<b>Pan Reverse</b>	<b>YES</b>	Zwenking omkeren
		<b>NO</b>	
	<b>Tilt Reverse</b>	<b>YES</b>	Kanteling omkeren
		<b>NO</b>	
	<b>Screen Reverse</b>	<b>NO</b>	Het scherm automatisch of handmatig omkeren
		<b>YES</b>	
		<b>AUTO</b>	
	<b>Pan Angle</b>	<b>540</b>	Wijzig de zwenkhoek
		<b>360</b>	
		<b>180</b>	
	<b>Tilt Angle</b>	<b>270</b>	Wijzig de kantelhoek
		<b>180</b>	
		<b>90</b>	
	<b>BL. O. P/T Move</b>	<b>YES</b>	XY-verduistering inschakelen/uitschakelen
		<b>NO</b>	
	<b>BL. O. Color Move</b>	<b>YES</b>	Kleurverduistering inschakelen/uitschakelen
<b>NO</b>			
<b>BL. O. Gobo Move</b>	<b>YES</b>	Goboverduistering inschakelen/uitschakelen	
	<b>NO</b>		
<b>Calibration</b>	<b>YES</b>	Kalibratie inschakelen	
	<b>NO</b>		

Hoofdniveau	Programmeerniveaus		Beschrijving	
Settings (Continued)	Touchscreen Lock	YES	Vergrendel het aanraakscherm	
		NO		
	Swap X/Y	YES	Wissel de zwenking en kanteling	
		NO		
	X/Y Mode	Fast	Wijzigt de omwisselen	
		Slow		
	WDMX Reset	YES	Reset de draadloze DMX	
		NO		
	Backlight Timer	30S	Stel de achtergrondverlichting in om automatisch uit te schakelen na een gekozen tijdsduur	
		1M		
		5M		
		ON		
	Loss of Data	Hold	Verlies van gegevensinstelling	
		Close		
	Safety Beam	OFF	Veiligheidsstraalmodus	
		ON		
	Lamp Setting	On/Off	OFF	Lamp aan of uit
			ON	
		State/ Power On	OFF	Lampstatus weergegeven als lamp aan is
			ON	
		Off Via DMX	NO	Regel de lamp met DMX
YES				
On If DMX On		NO	Lamp aan als DMX aan is	
		YES		
Off If DMX Off		NO	Lamp aan als DMX uit is	
		YES		
Ignition Delay	10 ~ 255	Stel vertragingstijd voor lampontsteking in		
Low Power Delay	0 ~ 255	Vertragingstijd laag vermogen		
Reset Lamp Time	NO	Reset de resterende lamp tijd		
	YES			
Special Set	Interval	10 ~ 250	Stel herinnering voor lamponderhoud in	
	Remain Time	10 ~ 250	Resterende lamp tijd	
Preset Select	PRESET A		OpgenoOpgenomen vooringestelde menuopties	
	PRESET B			
	PRESET C			



Hoofdniveau	Programmeerniveaus		Beschrijving	
	Preset Sync	NO	Zorgt ervoor dat opgenomen voorinstellingen worden overgezet op andere Maverick MK1 Spot in de DMX-keten	
		YES		
	Reset Function	Pan/Tilt	YES/NO	Individuele functies naar fabrieksinstellingen resetten
		Head		
All				
Factory Settings	NO	YES	Alle functies naar fabrieksinstellingen resetten	
	YES			
Test	Auto Test		Test het product automatisch	
	Manual Test	Pan	0 ~ 255	Test elke functie/elk kanaal individueel
		Pan Fine		
		Tilt		
		Tilt Fine		
		P/T Speed		
		Cyan		
		Magenta		
		Yellow		
		Color1		
		Color2		
		Color3		
		Shutter		
		Dimmer		
		Dimmer Fine		
		Gobo		
		Animation		
		Animation Rotate		
		Gobo		
		Gobo Rotate		
		Gobo Rotate Fine		
		Prism		
		Prism1 Rotate		
		Prism2 Rotate		
		Frost		
		Zoom		
		Focus		
		Fine Focus		
Beam Mode				
Special Function				

## Menumap (vervolg)

Hoofdniveau	Programmeerniveaus		Beschrijving	
Information	Fixture Information	Ver	V1	Huidige versie
		Running Mode	DMX	Huidige modus
		DMX Address	001	
		Temperature	025	Huidige temperatuur
		Fixture Hours	00000	Huidige actieve uren
		ArtNetIp	002.243.075.222	Huidige IP-adres
		SubMask	255.000.000.000	Huidige subnet mask
	MAC	00.04.a3.08.00.00	MAC-adres	
	Fan Information	Base Fan1 Speed	2000rpm	Snelheidsinstelling weergeven
		Base Fan2 Speed	2000rpm	Snelheidsinstelling weergeven
		Head Fan1 Speed	2000rpm	Snelheidsinstelling weergeven
		Head Fan2 Speed	2000rpm	Snelheidsinstelling weergeven
	Error Information	-----		Verschijnt op het scherm
	Channel Information	Frequency	0Hz	Status van individueel kanaal
		Pan	0 ~ 255	
		Pan Fine	0 ~ 255	
		Tilt	0 ~ 255	
		Tilt Fine	0 ~ 255	
		P/T Speed	0 ~ 255	
		Cyan	0 ~ 255	
		Magenta	0 ~ 255	
		Yellow	0 ~ 255	
		Color1	0 ~ 255	
		Color2	0 ~ 255	
		Color3	0 ~ 255	
		Shutter	0 ~ 255	
		Dimmer	0 ~ 255	
Dimmer Fine		0 ~ 255		
Gobo		0 ~ 255		
Animation Rotate		0 ~ 255		
Gobo		0 ~ 255		
Gobo Rotate		0 ~ 255		
Gobo Rotate Fine	0 ~ 255			

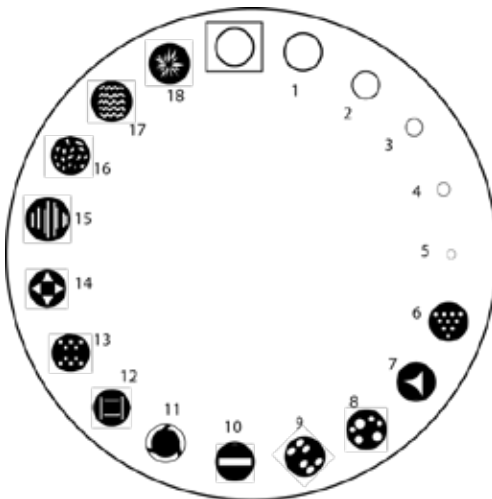
Hoofdniveau	Programmeerniveaus		Beschrijving	
Information (continued)	Channel Information (continued)	Prism	0 ~ 255	Status van individueel kanaal
		Prism1 Rotate	0 ~ 255	
		Prism2 Rotate	0 ~ 255	
		Frost	0 ~ 255	
		Zoom	0 ~ 255	
		Focus	0 ~ 255	
		Fine Focus	0 ~ 255	
		Beam Mode	0 ~ 255	
		Special Function	0 ~ 255	

### Gobo-ontwerpen



#### Gobowiel roteren

1. Draaiende vorken
2. Brekende golven
3. Radiaalster
4. Sterrenveld
5. Gebroken driehoek
6. Halve maan en zon



#### Statisch gobowiel

1. Opening 5/6
2. Opening 2/3
3. Opening 1/2
4. Opening 1/3
5. Volledige opening
6. Driehoekpunten
7. Bochtige driehoek
8. Willekeurige punten
9. Symmetrische punten
10. Lijn
11. Lasercirkel
12. Vierkante lijnen
13. Baksteen uit
14. Driehoek vierkant
15. Schaduwen
16. Crunch Bar
17. 5 golven
18. Uitbarsting

## DMX-waarden

30CH	Kanaal	Functie	Waarde	Percentage/instelling
	1	Zwenken	000ó 255	0–100%
	2	Fijn zwenken	000ó 255	0–100%
	3	Kantelen	000ó 255	0–100%
	4	Fijn kantelen	000ó 255	0–100%
	5	Zwenk- /kantelsnelheid	000ó 255	0–100%
	6	Dimmer	000ó 255	0–100%
	7	Fijne dimmer	000ó 255	0–100%
	8	Sluiter	000ó 007 Gesloten 008ó 015 Open 016ó 131 Langzaam tot snel 132ó 167 Snel sluiten, langzaam openen 168ó 203 Langzaam sluiten, snel openen 204ó 239 Pulseffect van langzaam tot snel 240ó 247 Willekeurig effect van langzaam tot snel 248ó 255 Open	
	9	Cyaan	000ó 255	0–100%
	10	Magenta	000ó 255	0–100%
	11	Geel	000ó 255	0–100%
	12	Kleurenwiel 1	000 Wit 028 Wit + straalverzachter 050 Straalverzachter 080 Straalverzachter + lavendel 100 Lavendel 129 Lavendel + CTO 3200K 150 CTO 3200K 181 CTO 3200K + (UV) 200 (UV) 235 (UV) + CTO 2500K 255 CTO 2500K	
	13	Kleurenwiel 2	000 Wit 028 Wit + straalverzachter 050 Straalverzachter 080 Straalverzachter + donkergroen 100 Donkergroen 129 Donkergroen + donkerrood 150 Donkerrood 181 Donkerrood + donkerblauw 200 Donkerblauw 235 Donkerblauw + minus groen 255 Minus groen	
	14	Kleurenwiel 3	000 Wit 028 Wit + straalverzachter 050 Straalverzachter 080 Straalverzachter + donkeroranje 100 Donkeroranje 129 Donkeroranje + lichtoranje 150 Lichtoranje 181 Lichtoranje + lichtgroen	

		200 235 255	Lichtgroen Lichtgroen + roze Roze
15	<b>Gobo-wiel 1</b> <a href="#">[Gobo-ontwerpen]</a>	000 004 008 012 016 019 023 027 031 035 038 042 046 050 054 057 061 065 069 072 ó 113 114 ó 117 118 ó 159 160 ó 165 166 ó 170 171 ó 175 176 ó 181 182 ó 186 187 ó 191 192 ó 197 198 ó 202 203 ó 207 208 ó 214 215 ó 218 219 ó 223 224 ó 229 230 ó 234 235 ó 239 240 ó 245 246 ó 250 251 ó 255	Open Gobo 1 (Opening 5/6) Gobo 2 (Opening 2/3) Gobo 3 (Opening 1/2) Gobo 4 (Opening 1/3) Gobo 5 (Volledige opening) Gobo 6 (Driehoekstippen) Gobo 7 (Bochtige driehoek) Gobo 8 (Willekeurige stippen) Gobo 9 (Symmetrische stippen) Gobo 10 (Lijn) Gobo 11 (Laser cirkel) Gobo 12 (Vierkante lijnen) Gobo 13 (Baksteen uit) Gobo 14 (Driehoek vierkant) Gobo 15 (Schaduwen) Gobo 16 (Crunch Bar) Gobo 17 (5 golven) Gobo 18 (Uitbarsting) Gobowijziging met de klok mee, snel tot langzaam stop Gobowijziging tegen de klok in, langzaam tot snel Gobo 1 schudden Gobo 2 schudden Gobo 3 schudden Gobo 4 schudden Gobo 5 schudden Gobo 6 schudden Gobo 7 schudden Gobo 8 schudden Gobo 9 schudden Gobo 10 schudden Gobo 11 schudden Gobo 12 schudden Gobo 13 schudden Gobo 14 schudden Gobo 15 schudden Gobo 16 schudden Gobo 17 schudden Gobo 18 schudden
16	<b>Gobo-wiel 2</b> <a href="#">[Gobo-ontwerpen]</a>	000 ó 018 019 ó 037 038 ó 056 057 ó 074 075 ó 092 093 ó 111 112 ó 129 130 ó 150 151 ó 171 172 ó 192 193 ó 213 214 ó 234 235 ó 255	Wit Gobo 1 (Draaiende vorken) Gobo 2 (Brekende golven) Gobo 3 (Radiaalster) Gobo 4 (Sterrenveld) Gobo 5 (Gebroken driehoek) Gobo 6 (Halve maan en zon) Gobo 1 schudden Gobo 2 schudden Gobo 3 schudden Gobo 4 schudden Gobo 5 schudden Gobo 6 schudden

17	<b>Gobo-wiel 1 rotatie</b>	000ó 021	0-90 positie
		022ó 042	90-180 positie
		043ó 063	180-270 positie
		064ó 084	270-360 positie
		085ó 105	360-450 positie
		106ó 127	450-540 positie
		128ó 190	Roteren met de klok mee, langzaam tot snel
		191ó 192	Stop
193ó 255	Tegen de klok in roteren, langzaam tot snel		
18	<b>Gobo indexering 16-bit</b>	000ó 255	16-bit aanpasbaar
19	<b>Animatiewiel</b>	000ó 255	Effectwiel
20	<b>Rotatie animatiewiel</b>	000ó 124	Roteren met de klok mee, langzaam tot snel
		125ó 130	Stop
		131ó 255	Tegen de klok in roteren, langzaam tot snel
21	<b>Prisma 1</b>	000ó 010	Geen functie
		011ó 255	Prismaeffect
22	<b>Prisma 1 rotatie</b>	000ó 021	0-90 positie
		022ó 042	90-180 positie
		043ó 063	180-270 positie
		064ó 084	270-360 positie
		085ó 105	360-450 positie
		106ó 127	450-540 positie
		128ó 190	Roteren met de klok mee, langzaam tot snel
		191ó 192	Stop
193ó 255	Tegen de klok in roteren, langzaam tot snel		
23	<b>Prisma 2</b>	000ó 010	Geen functie
		011ó 255	Prismaeffect
24	<b>Prisma 2 rotatie</b>	000ó 021	0-90 positie
		022ó 042	90-180 positie
		043ó 063	180-270 positie
		064ó 084	270-360 positie
		085ó 105	360-450 positie
		106ó 127	450-540 positie
		128ó 190	Roteren met de klok mee, langzaam tot snel
		191ó 192	Stop
193ó 255	Tegen de klok in roteren, langzaam tot snel		
25	<b>Frost</b>	000ó 255	0-100%
26	<b>Zoom</b>	000ó 255	0-100%
27	<b>Focus</b>	000ó 255	0-100%
28	<b>Fijne focus</b>	000ó 255	0-100%
29	<b>Straalmodus</b>	000ó 010	Geen functie
		011ó 255	Straalmodus

## 30 Regeling

000ó 029	Geen functie
030ó 039	XY wissel aan
040ó 049	XY wissel uit
050ó 059	Zoom/autofocus-modus aan
060ó 069	Zoom/autofocus-modus uit
070ó 079	XY-verduisteren ingeschakeld
080ó 089	XY-verduisteren uitgeschakeld
090ó 099	Kleurverduisteren ingeschakeld
100ó 109	Kleurverduisteren uitgeschakeld
110ó 119	Goboverduisteren ingeschakeld
120ó 129	Goboverduisteren uitgeschakeld
130ó 139	Lamp aan
140ó 149	XY reset
150ó 159	Kopreset
160ó 169	Auto zachte filter aan
170ó 179	Auto zachte filter uit
180ó 189	Geen functie
190ó 199	Geen functie
200ó 209	Reset alle
210ó 219	Alles verduisteren ingeschakeld
220ó 229	Alles verduisteren uitgeschakeld
230ó 239	Lamp uit
240ó 245	Geen functie
246ó 250	Geen functie
251ó 255	Geen functie

27CH	Kanaal	Functie	Waarde	Percentage/instelling
	1	Zwenken	000 ó 255	0–100%
	2	Fijn zwenken	000 ó 255	0–100%
	3	Kantelen	000 ó 255	0–100%
	4	Fijn kantelen	000 ó 255	0–100%
	5	Zwenk- /kantelsnelheid	000 ó 255	0–100%
	6	Dimmer	000 ó 255	0–100%
	7	Sluiter	000 ó 007 008 ó 015 016 ó 131 132 ó 167 168 ó 203 204 ó 239 240 ó 247 248 ó 255	Gesloten Open Langzaam tot snel Snel sluiten, langzaam openen Langzaam sluiten, snel openen Pulseffect van langzaam tot snel Willekeurig effect van langzaam tot snel Open
	8	Cyaan	000 ó 255	0–100%
	9	Magenta	000 ó 255	0–100%
	10	Geel	000 ó 255	0–100%
	11	Kleurenwiel 1	000 028 050 080 100 129 150 181 200 235 255	Wit Wit + straalverzachter Straalverzachter Straalverzachter + lavendel Lavendel Lavendel + CTO 3200K CTO 3200K CTO 3200K + (UV) (UV) (UV) + CTO 2500K CTO 2500K
	12	Kleurenwiel 2	000 028 050 080 100 129 150 181 200 235 255	Wit Wit + straalverzachter Straalverzachter Straalverzachter + donkergroen Donkergroen Donkergroen + donkerrood Donkerrood Donkerrood + donkerblauw Donkerblauw Donkerblauw + minus groen Minus groen



27CH	Kanaal	Functie	Waarde	Percentage/instelling
	13	Kleurenwiel 3	000 028 050 080 100 129 150 181 200 235 255	Wit Wit + straalverzachter Straalverzachter Straalverzachter + donkeroranje Donkeroranje Donkeroranje + lichtoranje Lichtoranje Lichtoranje + lichtgroen Lichtgroen Lichtgroen + roze Roze
	14	Gobo-wiel 1 <a href="#">[Gobo-ontwerpen]</a>	000 004 008 012 016 019 023 027 031 035 038 042 046 050 054 057 061 065 069 072 ∘ 113 114 ∘ 117 118 ∘ 159 160 ∘ 165 166 ∘ 170 171 ∘ 175 176 ∘ 181 182 ∘ 186 187 ∘ 191 192 ∘ 197 198 ∘ 202 203 ∘ 207 208 ∘ 214 215 ∘ 218 219 ∘ 223 224 ∘ 229 230 ∘ 234 235 ∘ 239 240 ∘ 245 246 ∘ 250 251 ∘ 255	Open Gobo 1 (Opening 5/6) Gobo 2 (Opening 2/3) Gobo 3 (Opening 1/2) Gobo 4 (Opening 1/3) Gobo 5 (Volledige opening) Gobo 6 (Driehoekstippen) Gobo 7 (Bochtige driehoek) Gobo 8 (Willekeurige stippen) Gobo 9 (Symmetrische stippen) Gobo 10 (Lijn) Gobo 11 (Laser cirkel) Gobo 12 (Vierkante lijnen) Gobo 13 (Baksteen uit) Gobo 14 (Driehoek vierkant) Gobo 15 (Schaduw) Gobo 16 (Crunch Bar) Gobo 17 (5 golven) Gobo 18 (Uitbarsting) Gobowijziging met de klok mee, snel tot langzaam stop Gobowijziging tegen de klok in, langzaam tot snel Gobo 1 schudden Gobo 2 schudden Gobo 3 schudden Gobo 4 schudden Gobo 5 schudden Gobo 6 schudden Gobo 7 schudden Gobo 8 schudden Gobo 9 schudden Gobo 10 schudden Gobo 11 schudden Gobo 12 schudden Gobo 13 schudden Gobo 14 schudden Gobo 15 schudden Gobo 16 schudden Gobo 17 schudden Gobo 18 schudden

27CH	Kanaal	Functie	Waarde	Percentage/instelling
15		<b>Gobo-wiel 2</b> <a href="#">[Gobo-ontwerpen]</a>	000ó 018	Wit
			019ó 037	Gobo 1 (Draaiende vorken)
			038ó 056	Gobo 2 (Brekende golven)
			057ó 074	Gobo 3 (Radiaalster)
			075ó 092	Gobo 4 (Sterrenveld)
			093ó 111	Gobo 5 (Gebroken driehoek)
			112ó 129	Gobo 6 (Halve maan en zon)
			130ó 150	Gobo 1 schudden
			151ó 171	Gobo 2 schudden
			172ó 192	Gobo 3 schudden
			193ó 213	Gobo 4 schudden
			214ó 234	Gobo 5 schudden
			235ó 255	Gobo 6 schudden
16		<b>Gobo-wiel 1 rotatie</b>	000ó 021	0-90 positie
			021ó 042	90-180 positie
			042ó 063	180-270 positie
			063ó 084	270-360 positie
			084ó 105	360-450 positie
			105ó 127	450-540 positie
			128ó 190	Roteren met de klok mee, langzaam tot snel
			191ó 192	Stop
			193ó 255	Tegen de klok in roteren, langzaam tot snel
17		<b>Animatiewiel</b>	000ó 255	Effectwiel
18		<b>Rotatie animatiewiel</b>	000ó 124	Roteren met de klok mee, langzaam tot snel
			125ó 130	Stop
			131ó 255	Tegen de klok in roteren, langzaam tot snel
19		<b>Prisma 1</b>	000ó 010	Geen functie
			011ó 255	Prismaeffect
20		<b>Animatiewiel</b>	000ó 021	0-90 positie
			022ó 042	90-180 positie
			043ó 063	180-270 positie
			064ó 084	270-360 positie
			085ó 105	360-450 positie
			106ó 127	450-540 positie
			128ó 190	Roteren met de klok mee, langzaam tot snel
			191ó 192	Stop
			193ó 255	Tegen de klok in roteren, langzaam tot snel
21		<b>Prisma 2</b>	000ó 010	Geen functie
			011ó 255	Prismaeffect
22		<b>Prisma 2 rotatie</b>	000ó 021	0-90 positie
			022ó 042	90-180 positie
			043ó 063	180-270 positie
			064ó 084	270-360 positie
			085ó 105	360-450 positie
			106ó 127	450-540 positie
			128ó 190	Roteren met de klok mee, langzaam tot snel
			191ó 192	Stop
			193ó 255	Tegen de klok in roteren, langzaam tot snel

<b>27CH</b>	<b>Kanaal</b>	<b>Functie</b>	<b>Waarde</b>	<b>Percentage/instelling</b>
	<b>23</b>	<b>Frost</b>	000 ó 255	0–100%
	<b>24</b>	<b>Zoom</b>	000 ó 255	0–100%
	<b>25</b>	<b>Focus</b>	000 ó 255	0–100%
	<b>26</b>	<b>Straalmodus</b>	000 ó 010 011 ó 255	Geen functie Straalmodus
	<b>27</b>	<b>Regeling</b>	000 ó 029 030 ó 039 040 ó 049 050 ó 059 060 ó 069 070 ó 079 080 ó 089 090 ó 099 100 ó 109 110 ó 119 120 ó 129 130 ó 139 140 ó 149 150 ó 159 160 ó 169 170 ó 179 180 ó 189 190 ó 199 200 ó 209 210 ó 219 220 ó 229 230 ó 239 240 ó 245 246 ó 250 251 ó 255	Geen functie XY wissel aan XY wissel uit Zoom/autofocus-modus aan Zoom/autofocus-modus uit XY-verduisteren ingeschakeld XY-verduisteren uitgeschakeld Kleurverduisteren ingeschakeld Kleurverduisteren uitgeschakeld Goboverduisteren ingeschakeld Goboverduisteren uitgeschakeld Lamp aan XY reset Kopreset Auto zachte filter aan Auto zachte filter uit Geen functie Geen functie Reset alle Alles verduisteren ingeschakeld Alles verduisteren uitgeschakeld Lamp uit Geen functie Geen functie Geen functie

## Contact Us

### USA WORLD HEADQUARTERS

#### General Information - Chauvet

Address: 5200 NW 108th Avenue  
Sunrise, FL 33351

Voice: (954) 577-4455

Fax: (954) 929-5560

Toll free: (800) 762-1084

#### Technical Support

Voice: (844) 393- 7575

Fax: (954) 756-8015

Email: [chauvetcs@chauvetlighting.com](mailto:chauvetcs@chauvetlighting.com)

#### World Wide Web

[www.chauvetlighting.com](http://www.chauvetlighting.com)

### EUROPE

#### General Information - Chauvet Europe BVBA

Address: Stokstraat 18  
9770 Kruishoutem

Belgium

Voice: +32 9 388 93 97

#### Technical Support

Email: [Eutech@chauvetlighting.eu](mailto:Eutech@chauvetlighting.eu)

#### World Wide Web

[www.chauvetlighting.eu](http://www.chauvetlighting.eu)

#### General Information - Chauvet Europe Ltd.

Address: Unit 1C  
Brookhill Road Industrial Estate  
Pinxton, Nottingham, UK  
NG16 6NT

Voice: +44 (0)1773 511115

Fax: +44 (0)1773 511110

#### Technical Support

Email: [uktech@chauvetlighting.com](mailto:uktech@chauvetlighting.com)

#### World Wide Web

[www.chauvetlighting.co.uk](http://www.chauvetlighting.co.uk)

### MEXICO

#### General Information - Chauvet Mexico

Address: Av. De las Partidas 34- 3B

Zona Industrial Lerma

(Entrance by Calle 2)

Lerma, Edo. de Mexico C.P. 52000

Voice: +52 (728) 690-2010

#### Technical Support

Email: [servicio@chauvet.com.mx](mailto:servicio@chauvet.com.mx)

#### World Wide Web

[www.chauvet.com.mx](http://www.chauvet.com.mx)

Visit the applicable website above to verify our contact information and instructions to request support. Outside the U.S., United Kingdom, Ireland, Mexico, or Benelux contact the dealer of record.



UL 1573  
CSA C22.2 No. 166  
E113093



ART  
NET  
ETHERNET