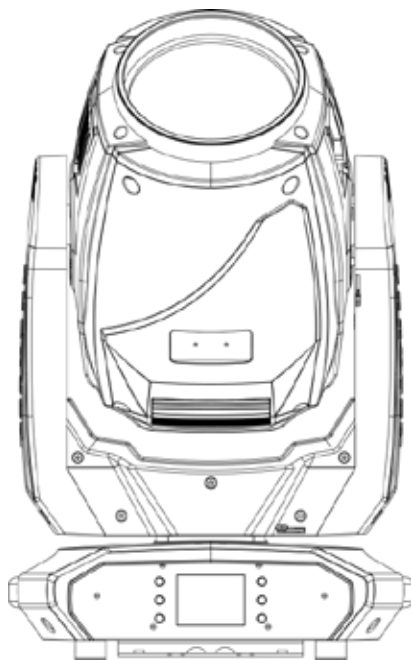


MAVERICK

MK1 HYBRID

Quick Reference Guide

English	EN
Español	ES
Français	FR
Nederlands	NL




CHAUVET
PROFESSIONAL

About This Guide

The Maverick MK1 Hybrid Quick Reference Guide (QRG) has basic product information such as connection, mounting, menu options, and DMX values. Download the User Manual from www.chauvetprofessional.com for more details.

Disclaimer

The information and specifications contained in this QRG are subject to change without notice.

Safety Notes

- DO NOT open this product. It contains no user-serviceable parts.
- To eliminate unnecessary wear and improve its lifespan, during periods of non-use completely disconnect the product from power via breaker or by unplugging it.
- DO NOT look at the light source when the product is on.
- CAUTION: This product's housing may be hot when lights are operating.
- Mount this product in a location with adequate ventilation, at least 20 in (50 cm) from adjacent surfaces.
- DO NOT leave any flammable material within 50 cm of this product while operating or connected to power.
- CAUTION: When transferring product from extreme temperature environments, (e.g. cold truck to warm humid ballroom) condensation may form on the internal electronics of the product. To avoid causing a failure, allow product to fully acclimate to the surrounding environment before connecting it to power.
- The product is not intended for permanent installation.
- USE a safety cable when mounting this product overhead.
- DO NOT operate this product outdoors or in any location where dust, excessive heat, water, or humidity may affect it. (IP20)
- DO NOT operate this product if the housing, lenses, or cables appear damaged.
- DO NOT connect this product to a dimmer or rheostat.
- ONLY connect this product to a grounded and protected circuit.
- ONLY use the handles or yoke to carry this product. Do not carry by the moving head.
- In the event of a serious operating problem, stop using immediately.
- The maximum ambient temperature is 113 °F (45 °C). Do not operate this product at higher temperatures.

Contact

From inside the U.S., UK, Ireland, Mexico, or Benelux, use the information in [Contact Us](#) at the end of this QRG. Outside the U.S., United Kingdom, Ireland, Mexico, or Benelux, contact your distributor to request support or return a product.

- What Is Included**
- Maverick MK1 Hybrid
 - Power Input Cord
 - Omega Bracket w/ mounting hardware
 - Warranty Card
 - Quick Reference Guide

AC Power This product has an auto-ranging power supply that can work with an input voltage range of 100–240 VAC, 50/60 Hz.

AC Plug

Connection	Wire (U.S.)	Wire (Europe)	Screw Color
AC Live	Black	Brown	Yellow/Brass
AC Neutral	White	Blue	Silver
AC Ground	Green/Yellow	Green/Yellow	Green



To eliminate unnecessary wear and improve its lifespan, during periods of non-use completely disconnect the product from power via breaker or by unplugging it.

Replacing The Fuse

1. Disconnect this product from power.
2. Using a Phillips #2 head screwdriver, unscrew the fuse holder cap from the housing.
3. Remove blown fuse and replace with a good fuse of the same type and rating.
4. Screw the fuse holder cap back in place and reconnect power.

DMX Linking

The Maverick MK1 Hybrid will work with a DMX controller using a 3- or 5-pin DMX serial connection. A DMX Primer is available from www.chauvetprofessional.com.

DMX Connection

The Maverick MK1 Hybrid uses a 3- or 5-pin DMX data connection for its DMX personalities: **27** and **30**. See the User Manual for information about connecting and configuring the product for DMX operation.

Signal Connections

You can link the Maverick MK1 Hybrid to controller software using an Ethernet connection. If using other Art-Net™ or sACN -compatible products with the Maverick MK1 Hybrid, you can control each individually on a single network. See the User Manual for information about how to connect and configure the product for these signals.

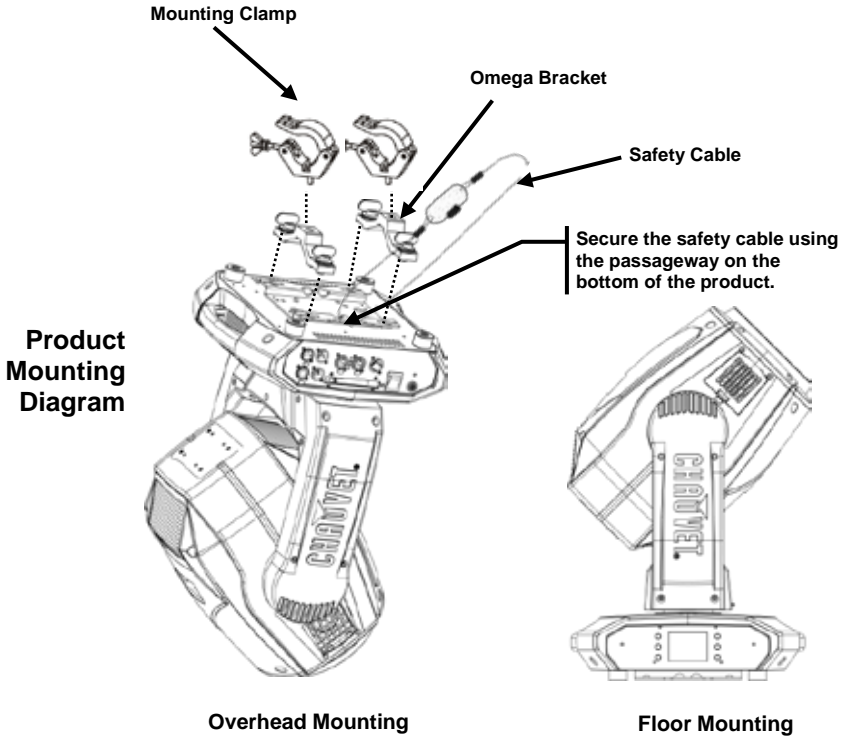
Art-Net™ Connection

Art-Net™ is an Ethernet protocol that uses TCP/IP which transfers a large amount of DMX512 data using an Neutrik® etherCON® RJ45 connection over a large network. An Art-Net™ protocol document is available from www.chauvetprofessional.com. Chauvet Professional recommends using unicast Art-Net™ for best results. Art-Net™ designed by and copyright Artistic License Holdings Ltd.

sACN Connection

Also known as ANSI E1.31, Streaming-ACN is an Ethernet protocol that uses the layering and formatting of Architecture for Control Networks to transport DMX512 data over IP or any other ACN compatible network. ACN is maintained by the Professional Lighting and Sound Association (PLASA).

Mounting Before mounting this product, read the [Safety Notes](#). Use at least one mounting point per product. Make sure the mounting clamps are capable of supporting the weight of the product. For our CHAUVET Professional line of mounting clamps, go to <http://trusst.com/products/>.



Touchscreen Control Panel

The Maverick MK1 Hybrid has a touchscreen display as well as 6 control buttons. The touchscreen can be locked and calibrated through the Setup options in the menu.

Control Panel Description

Button	Function
< ↑ >	Navigates upwards through the menu list or increases the numeric value when in a function
< ≡ >	Exits from the current menu or function
< ↓ >	Navigates downwards through the menu list or decreases the numeric value when in a function
< ← >	Navigates leftwards through the menu list
< ↶ >	Enables the currently displayed menu or sets the currently selected value into the selected function
< → >	Navigates rightwards through the menu list

Menu Map

Main Level	Programming Levels		Description
Address	000-512		Network Setting
Art-Net Setup	Ethernet to DMX	YES	Turn on Art-Net to DMX capability
		NO	
	IP Mode	Manual	Selection of IP mode
		DHCP	
		Static	
	Universe	0 ~ 255	Set the Universe
ArtNetIp	002.243.075.222	IP setting	
SubMask	255.000.000.000	Subnet Mask	
Personality	DMX 27CH	YES	Choose 27 Channels of DMX
		NO	
	DMX 30CH	YES	Choose 30 Channels of DMX
		NO	
Settings	Control Mode	DMX	Signal Selection
		WDMX	
		ArtNet	
		sACN	
	Pan Reverse	YES	Reverse the Pan
		NO	
	Tilt Reverse	YES	Reverse the Tilt
		NO	
	Screen Reverse	NO	Manually or automatically reverse the screen
		YES	
		AUTO	
	Pan Angle	540	Change the Pan angle
		360	
		180	
	Tilt Angle	270	Change the Tilt angle
		180	
		90	
	BL. O. P/T Move	YES	Enable/disable XY blackout
		NO	
	BL. O. Color Move	YES	Enable/disable color blackout
NO			
BL. O. Gobo Move	YES	Enable/disable gobo blackout	
	NO		
Calibration	YES	Turn on Calibration	
	NO		

Main Level	Programming Levels		Description	
Settings (Continued)	Touchscreen Lock	YES	Lock the touchscreen	
		NO		
	Swap X/Y	YES	Swap the pan and tilt	
		NO		
	X/Y Mode	Fast	Pan and tilt speed	
		Slow		
	WDMX Reset	YES	Reset the wireless DMX	
		NO		
	Backlight Timer	30S	Set the backlight to turn off automatically after a chosen time	
		1M		
		5M		
		ON		
	Loss of Data	Hold	Loss of data setting	
		Close		
	Fans	Auto	Change the fan speed mode	
		Full		
		ECO		
	Safety Beam	OFF	Safety Beam Mode	
		ON		
	Lamp Setting	On/Off	OFF	Lamp On or Off
			ON	
		State/Power On	OFF	Lamp status shown when lamp on
			ON	
Off Via DMX		NO	Control the lamp with DMX	
		YES		
On If DMX On		NO	Lamp On when DMX is On	
		YES		
Off If DMX Off		NO	Lamp Off when DMX is Off	
		YES		
Ignition Delay	10 ~ 255	Set delay time for lamp ignition		
Low Power Delay	0 ~ 255	Low power delay time		
Reset Lamp Time	NO	Reset the remaining lamp time		
	YES			
Special Set	Interval	10 ~ 250	Lamp maintenance reminder set	
	Remain Time	10 ~ 250	Remaining lamp time	
Reset Function	Pan/Tilt	YES/NO	Reset individual functions to factory	
	Head			
	All			

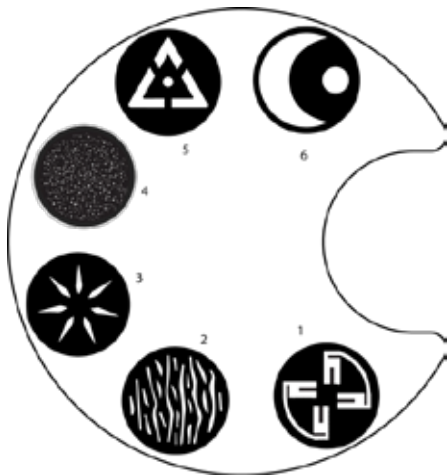
Main Level	Programming Levels		Description	
	Factory Settings	NO	Reset all functions to factory	
		YES		
Test	Auto Test		Auto test the product	
	Manual Test	Pan	0 ~ 255	Individually test each function/channel
		Pan Fine	0 ~ 255	
		Tilt	0 ~ 255	
		Tilt Fine	0 ~ 255	
		P/T Speed	0 ~ 255	
		Cyan	0 ~ 255	
		Magenta	0 ~ 255	
		Yellow	0 ~ 255	
		Color1	0 ~ 255	
		Color2	0 ~ 255	
		Color3	0 ~ 255	
		Shutter	0 ~ 255	
		Dimmer	0 ~ 255	
		Dimmer Fine	0 ~ 255	
		Gobo	0 ~ 255	
		Animation	0 ~ 255	
		Animation Rotate	0 ~ 255	
		Gobo	0 ~ 255	
		Gobo Rotate	0 ~ 255	
		Gobo Rotate Fine	0 ~ 255	
		Prism	0 ~ 255	
		Prism1 Rotate	0 ~ 255	
		Prism2 Rotate	0 ~ 255	
		Frost	0 ~ 255	
		Zoom	0 ~ 255	
		Focus	0 ~ 255	
		Fine Focus	0 ~ 255	
Beam Mode		0 ~ 255		
Special Function	0 ~ 255			

Menu Map (Cont.)

Main Level	Programming Levels		Description	
Information	Fixture Information	Ver	V1	Current Version
		Running Mode	DMX	Current Mode
		DMX Address	001	
		Temperature	025	Current Temperature
		Fixture Hours	00000	Current active hours
		ArtNetIp	002.243.075.222	Current IP address
		SubMask	255.000.000.000	Current subnet mask
		MAC	00.04.a3.08.00.00	MAC address
	Fan Information	Base Fan1 Speed	2000rpm	View speed setting
		Base Fan2 Speed	2000rpm	View speed setting
		Head Fan1 Speed	2000rpm	View speed setting
		Head Fan2 Speed	2000rpm	View speed setting
	Error Information	-----		Will appear on screen
	Channel Information	Frequency	0Hz	Status of individual channel
		Pan	0 ~ 255	
		Pan Fine	0 ~ 255	
		Tilt	0 ~ 255	
		Tilt Fine	0 ~ 255	
		P/T Speed	0 ~ 255	
		Cyan	0 ~ 255	
		Magenta	0 ~ 255	
		Yellow	0 ~ 255	
		Color1	0 ~ 255	
		Color2	0 ~ 255	
		Color3	0 ~ 255	
		Shutter	0 ~ 255	
		Dimmer	0 ~ 255	
Dimmer Fine		0 ~ 255		
Gobo		0 ~ 255		
Animation		0 ~ 255		
Animation Rotate		0 ~ 255		
Gobo		0 ~ 255		
Gobo Rotate		0 ~ 255		
Gobo Rotate Fine	0 ~ 255			
Prism	0 ~ 255			
Prism1 Rotate	0 ~ 255			
Prism2 Rotate	0 ~ 255			

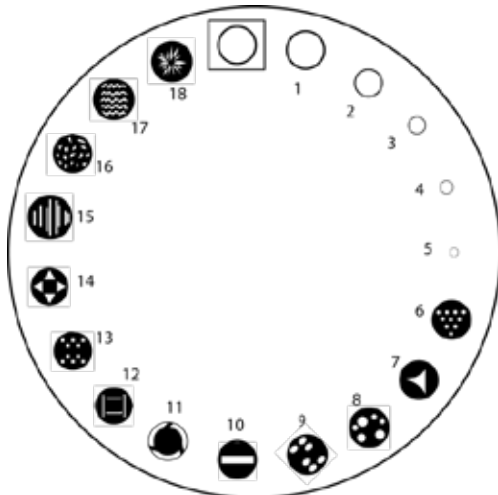
Main Level	Programming Levels		Description	
Information (continued)	Channel Information (continued)	Frost	0 ~ 255	Status of individual channel
		Zoom	0 ~ 255	
		Focus	0 ~ 255	
		Fine Focus	0 ~ 255	
		Beam Mode	0 ~ 255	
		Special Function	0 ~ 255	

Gobo Designs



Rotating Gobo Wheel

- | | |
|----|-------------------|
| 1. | Turning Forks |
| 2. | Wavy Breakup |
| 3. | Radial Star |
| 4. | Star Field |
| 5. | Broken Triangle |
| 6. | Half Moon and Sun |



Static Gobo Wheel

- | | |
|-----|-----------------|
| 1. | Aperture 5/6 |
| 2. | Aperture 2/3 |
| 3. | Aperture 1/2 |
| 4. | Aperture 1/3 |
| 5. | Full Aperture |
| 6. | Triangle Dots |
| 7. | Curvy Triangle |
| 8. | Random Dots |
| 9. | Symmetric Dots |
| 10. | Line |
| 11. | Laser Circle |
| 12. | Square Lines |
| 13. | Brick Out |
| 14. | Triangle Square |
| 15. | Shades |
| 16. | Crunch Bar |
| 17. | 5 Wave |
| 18. | Burst |

DMX Values

30CH	Channel	Function	Value	Percent/Setting
	1	Pan	000 ∘ 255	0–100%
	2	Fine Pan	000 ∘ 255	0–100%
	3	Tilt	000 ∘ 255	0–100%
	4	Fine Tilt	000 ∘ 255	0–100%
	5	Pan/Tilt Speed	000 ∘ 255	0–100%
	6	Dimmer	000 ∘ 255	0–100%
	7	Fine Dimmer	000 ∘ 255	0–100%
	8	Shutter	000 ∘ 007 008 ∘ 015 016 ∘ 131 132 ∘ 167 168 ∘ 203 204 ∘ 239 240 ∘ 247 248 ∘ 255	Closed Open Slow to fast Fast close, slow open Slow close, fast open Pulse effect from slow to fast Random effect from slow to fast Open
	9	Cyan	000 ∘ 255	0–100%
	10	Magenta	000 ∘ 255	0–100%
	11	Yellow	000 ∘ 255	0–100%
	12	Color Wheel 1	000 028 050 080 100 129 150 181 200 235 255	White White + Beam Softener Beam Softener Beam Softener + Lavender Lavender Lavender + CTO 3200K CTO 3200K CTO 3200K + (UV) (UV) (UV) + CTO 2500K CTO 2500K
	13	Color Wheel 2	000 028 050 080 100 129 150 181 200 235 255	White White + Beam Softener Beam Softener Beam Softener + Dark Green Dark Green Dark Green + Dark Red Dark Red Dark Red + Dark Blue Dark Blue Dark Blue + Minus Green Minus Green

30CH	Channel	Function	Value	Percent/Setting
	14	Color Wheel 3	000 028 050 080 100 129 150 181 200 235 255	White White + Beam Softener Beam Softener Beam Softener + Dark Orange Dark Orange Dark Orange + Light Orange Light Orange Light Orange + Light Green Light Green Light Green + Pink Pink
	15	Gobo Wheel 1 [Gobo Designs]	000 004 008 012 016 019 023 027 031 035 038 042 046 050 054 057 061 065 069 072 ∘ 113 114 ∘ 117 118 ∘ 159 160 ∘ 165 166 ∘ 170 171 ∘ 175 176 ∘ 181 182 ∘ 186 187 ∘ 191 192 ∘ 197 198 ∘ 202 203 ∘ 207 208 ∘ 214 215 ∘ 218 219 ∘ 223 224 ∘ 229 230 ∘ 234 235 ∘ 239 240 ∘ 245 246 ∘ 250 251 ∘ 255	Open Gobo 1 (Aperture 5/6) Gobo 2 (Aperture 2/3) Gobo 3 (Aperture 1/2) Gobo 4 (Aperture 1/3) Gobo 5 (Full Aperture) Gobo 6 (Triangle dots) Gobo 7 (Curvy triangle) Gobo 8 (Random dots) Gobo 9 (Symmetric dots) Gobo 10 (Line) Gobo 11 (Laser Circle) Gobo 12 (Square Lines) Gobo 13 (Brick Out) Gobo 14 (Triangle square) Gobo 15 (Shades) Gobo 16 (Crunch Bar) Gobo 17 (5 Wave) Gobo 18 (Burst) Clockwise gobo scroll, fast to slow stop Counter-clockwise gobo scroll, slow to fast Gobo 1 Shaking Gobo 2 Shaking Gobo 3 Shaking Gobo 4 Shaking Gobo 5 Shaking Gobo 6 Shaking Gobo 7 Shaking Gobo 8 Shaking Gobo 9 Shaking Gobo 10 Shaking Gobo 11 Shaking Gobo 12 Shaking Gobo 13 Shaking Gobo 14 Shaking Gobo 15 Shaking Gobo 16 Shaking Gobo 17 Shaking Gobo 18 Shaking

30CH	Channel	Function	Value	Percent/Setting
	16	Gobo Wheel 2 [Gobo Designs]	000○ 018 019○ 037 038○ 056 057○ 074 075○ 092 093○ 111 112○ 129 130○ 150 151○ 171 172○ 192 193○ 213 214○ 234 235○ 255	White Gobo 1 (Turning Forks) Gobo 2 (Wavy Breakup) Gobo 3 (Radial Star) Gobo 4 (Star Field) Gobo 5 (Broken Triangle) Gobo 6 (Half Moon and Sun) Gobo 1 Shaking Gobo 2 Shaking Gobo 3 Shaking Gobo 4 Shaking Gobo 5 Shaking Gobo 6 Shaking
	17	Gobo Wheel 1 Rotation	000○ 021 022○ 042 043○ 063 064○ 084 085○ 105 106○ 127 128○ 190 191○ 192 193○ 255	0-90 position 90-180 position 180-270 position 270-360 position 360-450 position 450-540 position Clockwise rotating, slow to fast Stop Counter-clockwise rotating, slow to fast
	18	Gobo Indexing 16-bit	000○ 255	16-bit adjustable
	19	Animation Wheel	000○ 255	Effect wheel
	20	Animation Wheel Rotation	000○ 124 125○ 130 131○ 255	Clockwise rotating, slow to fast Stop Counter-clockwise rotating, slow to fast
	21	Prism 1	000○ 010 011○ 255	No Function Prism Effect
	22	Prism 1 Rotation	000○ 021 022○ 042 043○ 063 064○ 084 085○ 105 106○ 127 128○ 190 191○ 192 193○ 255	0-90 position 90-180 position 180-270 position 270-360 position 360-450 position 450-540 position Clockwise rotating, slow to fast Stop Counter-clockwise rotating, slow to fast
	23	Prism 2	000○ 010 011○ 255	No Function Prism Effect
	24	Prism 2 Rotation	000○ 021 022○ 042 043○ 063 064○ 084 085○ 105 106○ 127 128○ 190 191○ 192 193○ 255	0-90 position 90-180 position 180-270 position 270-360 position 360-450 position 450-540 position Clockwise rotating, slow to fast Stop Counter-clockwise rotating, slow to fast
	25	Frost	000○ 255	0-100%
	26	Zoom	000○ 255	0-100%

30CH	Channel	Function	Value	Percent/Setting
	27	Focus	000○255	0–100%
	28	Fine Focus	000○255	0–100%
	29	Beam Mode	000○010 011○255	No Function Beam Mode
	30	Control	000○029 030○039 040○049 050○059 060○069 070○079 080○089 090○099 100○109 110○119 120○129 130○139 140○149 150○159 160○169 170○179 180○189 190○199 200○209 210○219 220○229 230○239 240○245 246○250 251○255	No function XY swap on XY swap off Zoom/auto focus mode on Zoom/auto focus mode off XY blackout enable XY blackout disable Color blackout enable Color blackout disable Gobo blackout enable Gobo blackout disable Lamp On XY reset Head reset Auto soft filter on Auto soft filter off No function No function All reset All blackout enable All blackout disable Lamp Off No function No function No function

27CH	Channel	Function	Value	Percent/Setting
	1	Pan	000○255	0–100%
	2	Fine Pan	000○255	0–100%
	3	Tilt	000○255	0–100%
	4	Fine Tilt	000○255	0–100%
	5	Pan/Tilt Speed	000○255	0–100%
	6	Dimmer	000○255	0–100%
	7	Shutter	000○007 008○015 016○131 132○167 168○203 204○239 240○247 248○255	Closed Open Slow to fast Fast close, slow open Slow close, fast open Pulse effect from slow to fast Random effect from slow to fast Open
	8	Cyan	000○255	0–100%
	9	Magenta	000○255	0–100%
	10	Yellow	000○255	0–100%

27CH	Channel	Function	Value	Percent/Setting
	11	Color Wheel 1	000	White
			028	White + Beam Softener
			050	Beam Softener
			080	Beam Softener + Lavender
			100	Lavender
			129	Lavender + CTO 3200K
			150	CTO 3200K
			181	CTO 3200K + (UV)
			200	(UV)
			235	(UV) + CTO 2500K
			255	CTO 2500K
	12	Color Wheel 2	000	White
			028	White + Beam Softener
			050	Beam Softener
			080	Beam Softener + Dark Green
			100	Dark Green
			129	Dark Green + Dark Red
			150	Dark Red
			181	Dark Red + Dark Blue
			200	Dark Blue
			235	Dark Blue + Minus Green
			255	Minus Green
	13	Color Wheel 3	000	White
			028	White + Beam Softener
			050	Beam Softener
			080	Beam Softener + Dark Orange
			100	Dark Orange
			129	Dark Orange + Light Orange
			150	Light Orange
			181	Light Orange + Light Green
			200	Light Green
			235	Light Green + Pink
			255	Pink

27CH

Channel	Function	Value	Percent/Setting
14	Gobo Wheel 1 [Gobo Designs]	000	Open
		004	Gobo 1 (Aperture 5/6)
		008	Gobo 2 (Aperture 2/3)
		012	Gobo 3 (Aperture 1/2)
		016	Gobo 4 (Aperture 1/3)
		019	Gobo 5 (Full Aperture)
		023	Gobo 6 (Triangle dots)
		027	Gobo 7 (Curvy triangle)
		031	Gobo 8 (Random dots)
		035	Gobo 9 (Symmetric dots)
		038	Gobo 10 (Line)
		042	Gobo 11 (Laser Circle)
		046	Gobo 12 (Square Lines)
		050	Gobo 13 (Brick Out)
		054	Gobo 14 (Triangle square)
		057	Gobo 15 (Shades)
		061	Gobo 16 (Crunch Bar)
		065	Gobo 17 (5 Wave)
		069	Gobo 18 (Burst)
		072	113 Clockwise gobo scroll, fast to slow
		114	117 stop
		118	159 Counter-clockwise gobo scroll, slow to fast
		160	165 Gobo 1 Shaking
		166	170 Gobo 2 Shaking
		171	175 Gobo 3 Shaking
		176	181 Gobo 4 Shaking
		182	186 Gobo 5 Shaking
		187	191 Gobo 6 Shaking
		192	197 Gobo 7 Shaking
		198	202 Gobo 8 Shaking
		203	207 Gobo 9 Shaking
		208	214 Gobo 10 Shaking
		215	218 Gobo 11 Shaking
		219	223 Gobo 12 Shaking
224	229 Gobo 13 Shaking		
230	234 Gobo 14 Shaking		
235	239 Gobo 15 Shaking		
240	245 Gobo 16 Shaking		
246	250 Gobo 17 Shaking		
251	255 Gobo 18 Shaking		
15	Gobo Wheel 2 [Gobo Designs]	000	018 White
		019	037 Gobo 1 (Turning Forks)
		038	056 Gobo 2 (Wavy Breakup)
		057	074 Gobo 3 (Radial Star)
		075	092 Gobo 4 (Star Field)
		093	111 Gobo 5 (Broken Triangle)
		112	129 Gobo 6 (Half Moon and Sun)
		130	150 Gobo 1 Shaking
		151	171 Gobo 2 Shaking
		172	192 Gobo 3 Shaking
		193	213 Gobo 4 Shaking
		214	234 Gobo 5 Shaking
		235	255 Gobo 6 Shaking

27CH	Channel	Function	Value	Percent/Setting
	16	Gobo Wheel 1 Rotation	000◊ 021 021◊ 042 042◊ 063 063◊ 084 084◊ 105 105◊ 127 128◊ 190 191◊ 192 193◊ 255	0-90 position 90-180 position 180-270 position 270-360 position 360-450 position 450-540 position Clockwise rotating, slow to fast Stop Counter-clockwise rotating, slow to fast
	17	Animation Wheel	000◊ 255	Effect wheel
	18	Animation Wheel Rotation	000◊ 124 125◊ 130 131◊ 255	Clockwise rotating, slow to fast Stop Counter-clockwise rotating, slow to fast
	19	Prism 1	000◊ 010 011◊ 255	No Function Prism Effect
	20	Prism 1 Rotation	000◊ 021 022◊ 042 043◊ 063 064◊ 084 085◊ 105 106◊ 127 128◊ 190 191◊ 192 193◊ 255	0-90 position 90-180 position 180-270 position 270-360 position 360-450 position 450-540 position Clockwise rotating, slow to fast Stop Counter-clockwise rotating, slow to fast
	21	Prism 2	000◊ 010 011◊ 255	No Function Prism Effect
	22	Prism 2 Rotation	000◊ 021 022◊ 042 043◊ 063 064◊ 084 085◊ 105 106◊ 127 128◊ 190 191◊ 192 193◊ 255	0-90 position 90-180 position 180-270 position 270-360 position 360-450 position 450-540 position Clockwise rotating, slow to fast Stop Counter-clockwise rotating, slow to fast
	23	Frost	000◊ 255	0–100%
	24	Zoom	000◊ 255	0–100%
	25	Focus	000◊ 255	0–100%
	26	Beam Mode	000◊ 010 011◊ 255	No Function Beam Mode

27CH	Channel	Function	Value	Percent/Setting
			000ó 029	No function
			030ó 039	XY swap on
			040ó 049	XY swap off
			050ó 059	Zoom/auto focus mode on
			060ó 069	Zoom/auto focus mode off
			070ó 079	XY blackout enable
			080ó 089	XY blackout disable
			090ó 099	Color blackout enable
			100ó 109	Color blackout disable
			110ó 119	Gobo blackout enable
			120ó 129	Gobo blackout disable
			130ó 139	Lamp On
	27	Control	140ó 149	XY reset
			150ó 159	Head reset
			160ó 169	Auto soft filter on
			170ó 179	Auto soft filter off
			180ó 189	No function
			190ó 199	No function
			200ó 209	All reset
			210ó 219	All blackout enable e
			220ó 229	All blackout disable
			230ó 239	Lamp Off
			240ó 245	No function
			246ó 250	No function
			251ó 255	No function

Acerca de esta Guía La Guía de Referencia Rápida (GRR) del Maverick MK1 Hybrid contiene información básica sobre el producto, como conexión, montaje, opciones de menú y valores DMX. Descargue el Manual de Usuario de www.chauvetprofessional.com para información más detallada.

Exención de Responsabilidad La información y especificaciones contenidas en esta GRR están sujetas a cambio sin previo aviso.

Notas de Seguridad

- NO abra este producto. No contiene piezas reparables por el usuario.
- NO mire a la fuente de luz cuando el producto esté encendido.
- Para evitar un desgaste innecesario y alargar su vida útil, desconecte completamente el producto de la alimentación, mediante el interruptor o desenchufándolo, durante los periodos en los que no se use.
- CUIDADO: cuando transfiera el producto desde ambientes con temperatura extrema (p. ej., del remolque frío de un camión a una sala de baile con calor y humedad), puede formarse condensación en la electrónica interna del producto. Para evitar que se produzca una avería, deje que el producto se aclimate completamente al ambiente antes de conectar la alimentación.
- CUIDADO: La carcasa de este producto puede estar caliente cuando las luces están en funcionamiento.
- Monte este producto en una ubicación con ventilación adecuada, al menos a 20" (50 cm) de superficies adyacentes.
- NO deje ningún material inflamable a menos de 50 cm de este producto mientras esté funcionando o conectado a la alimentación.
- USE un cable de seguridad cuando monte este producto en lo alto.
- NO ponga en funcionamiento este producto en el exterior o en cualquier ubicación en la que el polvo, calor excesivo, agua o humedad puedan afectarlo. (IP20)
- NO ponga en funcionamiento este producto si sospecha que la carcasa, lentes o cables están dañados.
- NO conecte este producto a un atenuador o reostato.
- Conecte este producto SOLO a un circuito con toma de tierra y protegido.
- Use SOLAMENTE los soportes de montaje o las asas para mover este producto. NO lo transporte agarrando por la cabeza móvil.
- En caso de un problema grave de funcionamiento, deje de usarlo inmediatamente.
- La temperatura ambiente máxima es de 113 °F (45 °C). No haga funcionar este producto a temperaturas más altas.

Contacto Fuera de EE.UU., Reino Unido, Irlanda, México, o Benelux póngase en contacto con su distribuidor para solicitar asistencia o devolver el producto. Desde dentro de EE.UU., Reino Unido, Irlanda, México o Benelux, utilice la información de Contact Us del final de esta GRR.

- Qué va incluido**
- Maverick MK1 Hybrid
 - Cable de alimentación
 - Soporte Omega con material de montaje
 - Tarjeta de garantía
 - Guía de referencia rápida

Corriente alterna Este producto tiene una fuente de alimentación con detección automática que puede funcionar con un rango de tensión de entrada de 100–240 VCA, 50/60 Hz.

Enchufe CA

Conexión	Cable (EE.UU.)	Cable (Europa)	Color del tornillo
CA Cargado	Negro	Marrón	Amarillo/Latón
CA Neutro	Blanco	Azul	Plata
CA Tierra	Verde/Amarillo	Verde/Amarillo	Verde



Para evitar un desgaste innecesario y alargar su vida útil, desconecte completamente el producto de la alimentación, mediante el interruptor o desenchufándolo, durante los periodos en los que no se use.

Sustitución del Fusible

1. Desconecte este producto de la alimentación.
2. Utilizando un destornillador plano, desatornille la tapa del portafusibles de la carcasa.
3. Quite el fusible fundido del portafusibles y sustitúyalo con uno nuevo del mismo tipo y categoría.
4. Vuelva a atornillar la tapa del portafusibles en su sitio y conecte de nuevo la alimentación.

Conexión DMX

El Maverick MK1 Hybrid funcionará con un controlador DMX usando una conexión de datos DMX de 3 o 5 pines. Hay un Manual DMX disponible en www.chauvetprofessional.com.

Conexión DMX

El Maverick MK1 Hybrid usa una conexión de datos DMX de 3 o 5 pines para sus personalidades DMX: **27** y **30**. Consulte el manual de usuario para más información sobre cómo conectar y configurar el producto para funcionamiento DMX.

Conexiones de señal

Puede enlazar el Maverick MK1 Hybrid a un controlador o software controlador usando una conexión DMX, una conexión Ethernet o ambas. Si está usando otros productos compatibles con Art-Net™, sACN o Kling-Netcon, el Maverick MK1 Hybrid puede controlar cada uno individualmente en una sola red. Consulte el Manual de usuario para obtener información sobre cómo conectar y configurar el producto para estas señales.

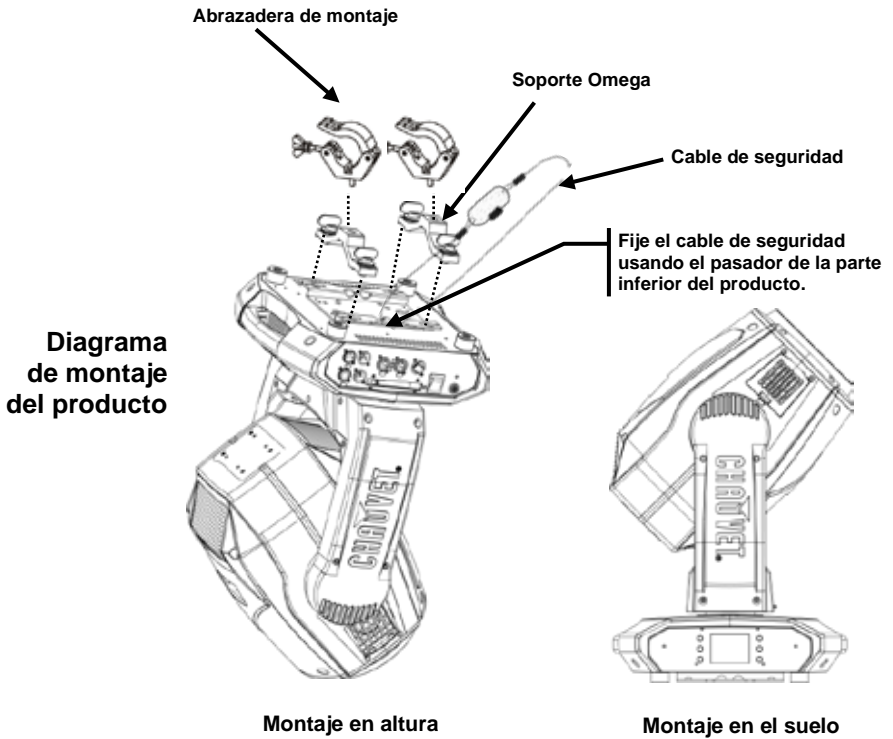
Conexión Art-Net™

Art-Net™ es un protocolo Ethernet que utiliza TCP/IP para transferir gran cantidad de datos DMX512 usando una conexión etherCON RJ45 sobre una red de gran tamaño. Hay disponible un documento sobre el protocolo Art-Net™ desde www.chauvetprofessional.com. Chauvet Professional recomienda la utilización de modo Unicast para mejores resultados. Art-Net™ diseñado y copyright por Artistic Licence Holdings Ltd.

Conexión sACN

También conocido como ANSI E1.31, el streaming ACN es un protocolo Ethernet que usa las capas y formato de Architecture for Control Networks (arquitectura para redes de control) para transportar datos DMX512 sobre IP o cualquier otra red compatible con ACN. El mantenimiento de ACN corre a cargo de la Professional Lighting and Sound Association (Asociación de Sonido e Iluminación Profesional, PLASA).

Montaje Antes de montar este producto, lea las Notas de Seguridad. Utilice al menos dos puntos de montaje por producto. Asegúrese de que las abrazaderas de montaje son capaces de soportar el peso del producto. Para nuestra línea Chauvet de abrazaderas de montaje, visite <http://trusst.com/products/>.



Panel de control con pantalla táctil El Maverick MK1 Hybrid dispone de una pantalla táctil y de 6 botones de control. La pantalla táctil se puede bloquear y calibrar a través de las opciones de Setup (configuración) en el menú.

Descripción del panel de control	Botón	Función
	< ↑ >	Navega hacia arriba por la lista de menú o aumenta el valor numérico cuando está en una función
	< ≡ >	Sale del menú o función actual
	< ↓ >	Navega hacia abajo por la lista de menú o disminuye el valor numérico cuando está en una función
	< ← >	Navega hacia la izquierda por la lista de menú
	< ↶ >	Habilita el menú actualmente en pantalla o configura el valor seleccionado actualmente dentro de la función seleccionada
	< → >	Navega hacia la derecha por la lista de menú

Mapa de menú

Nivel principal	Niveles de programación		Descripción
Address	000–255		Configuración de red
Art-Net Setup	Ethernet to DMX	YES	Activar capacidad Art-Net a DMX
		NO	
	IP Mode	Manual	Selección del modo IP
		DHCP	
		Static	
	Universe	0 ~ 255	Configurar el universo
ArtNetIp	002.243.075.222	Configuración de IP	
SubMask	255.000.000.000	Máscara de subred	
Personality	DMX 27CH	YES	Escoger 27 canales de DMX
		NO	
	DMX 30CH	YES	Escoger 30 canales de DMX
		NO	
Settings	Control Mode	DMX	Selección de señal
		WDMX	
		ArtNet	
		sACN	
	Pan Reverse	YES	Invertir el movimiento panorámico
		NO	
	Tilt Reverse	YES	Invertir la inclinación
		NO	
	Screen Reverse	NO	Invertir la pantalla manual o automáticamente
		YES	
		AUTO	
	Pan Angle	540	Cambiar el ángulo panorámico
		360	
		180	
	Tilt Angle	270	Cambiar el ángulo de inclinación
		180	
		90	
	BL. O. P/T Move	YES	Habilitar/deshabilitar el blackout XY
		NO	
	BL. O. Color Move	YES	Habilitar/deshabilitar el blackout de color
NO			
BL. O. Gobo Move	YES	Habilitar/deshabilitar el blackout de gobo	
	NO		
Calibration	YES	Encender calibración	
	NO		

Nivel principal	Niveles de programación		Descripción
Settings (continuación)	Touchscreen Lock	YES	Bloquear la pantalla
		NO	
	Swap X/Y	YES	Intercambiar movimiento panorámico y de inclinación
		NO	
	X/Y Mode	Fast	Cambiar la velocidad del
		Slow	
	WDMX Reset	YES	Restablecer DMX inalámbrico
		NO	
	Backlight Timer	30S	Configura la retroiluminación para que se apague transcurrido cierto tiempo
		1M	
		5M	
		ON	
	Loss of Data	Hold	Configuración de pérdida de datos
		Close	
	Fans	Auto	Cambiar el modo de velocidad del ventilador
		Full	
		ECO	
	Safety Beam	OFF	Modo de haz de seguridad
		ON	
	Lamp Setting	On/Off	OFF
ON			
State/Power On		OFF	Estado de la lámpara mostrado cuando la lámpara está encendida
		ON	
Off Via DMX		NO	Controla la lámpara con DMX
		YES	
On If DMX On		NO	Lámpara encendida si DMX está activo
		YES	
Off If DMX Off		NO	Lámpara apagada si DMX está inactivo
		YES	
Ignition Delay	10 ~ 255	Configura el tiempo de retardo para el encendido de la lámpara	
Low Power Delay	0 ~ 255	Tiempo de retardo de bajo consumo	
Reset Lamp Time	NO	Restablece el tiempo restante de la lámpara	
	YES		
Special Set	Interval	10 ~ 250	Ajuste de recordatorio de mantenimiento de la lámpara
	Remain Time	10 ~ 250	Tiempo restante de lámpara
Reset Function	Pan/Tilt	YES/NO	Restablecer las funciones individuales a los valores de fábrica
	Head		
	All		

Nivel principal	Niveles de programación		Descripción	
	Factory Settings	NO	Restablecer todas las funciones a los valores de fábrica	
		YES		
Test	Auto Test		Hacer una prueba automática del producto	
	Manual Test	Pan	0 ~ 255	Comprobar individualmente cada función/canal
		Pan Fine	0 ~ 255	
		Tilt	0 ~ 255	
		Tilt Fine	0 ~ 255	
		P/T Speed	0 ~ 255	
		Cyan	0 ~ 255	
		Magenta	0 ~ 255	
		Yellow	0 ~ 255	
		Color1	0 ~ 255	
		Color2	0 ~ 255	
		Color3	0 ~ 255	
		Shutter	0 ~ 255	
		Dimmer	0 ~ 255	
		Dimmer Fine	0 ~ 255	
		Gobo	0 ~ 255	
		Animation	0 ~ 255	
		Animation Rotate	0 ~ 255	
		Gobo	0 ~ 255	
		Gobo Rotate	0 ~ 255	
		Gobo Rotate Fine	0 ~ 255	
		Prism	0 ~ 255	
		Prism1 Rotate	0 ~ 255	
		Prism2 Rotate	0 ~ 255	
		Frost	0 ~ 255	
		Zoom	0 ~ 255	
		Focus	0 ~ 255	
		Fine Focus	0 ~ 255	
Beam Mode		0 ~ 255		
Special Function	0 ~ 255			

Mapa de menú (Cont.)

Nivel principal	Niveles de programación		Descripción	
Information	Fixture Information	Ver	V1	Versión actual
		Running Mode	DMX	Modo actual
		DMX Address	001	
		Temperature	025	Temperatura actual
		Fixture Hours	00000	Horas activas actuales
		ArtNetIp	002.243.075.222	Dirección IP actual
		SubMask	255.000.000.000	Máscara de subred actual
		MAC	00.04.a3.08.00.00	Dirección MAC
	Fan Information	Base Fan1 Speed	2000rpm	Ver configuración de velocidad
		Base Fan2 Speed	2000rpm	Ver configuración de velocidad
		Head Fan1 Speed	2000rpm	Ver configuración de velocidad
		Head Fan2 Speed	2000rpm	Ver configuración de velocidad
	Error Information	-----		Aparecerá en la pantalla
	Channel Information	Frequency	0Hz	Estado del canal individual
		Pan	0 ~ 255	
		Pan Fine	0 ~ 255	
		Tilt	0 ~ 255	
		Tilt Fine	0 ~ 255	
		P/T Speed	0 ~ 255	
		Cyan	0 ~ 255	
		Magenta	0 ~ 255	
		Yellow	0 ~ 255	
		Color1	0 ~ 255	
		Color2	0 ~ 255	
		Color3	0 ~ 255	
		Shutter	0 ~ 255	
		Dimmer	0 ~ 255	
		Dimmer Fine	0 ~ 255	
Gobo		0 ~ 255		
Animation		0 ~ 255		
Animation Rotate		0 ~ 255		
Gobo		0 ~ 255		
Gobo Rotate	0 ~ 255			
Gobo Rotate Fine	0 ~ 255			
Información	Información del canal	Prism	0 ~ 255	

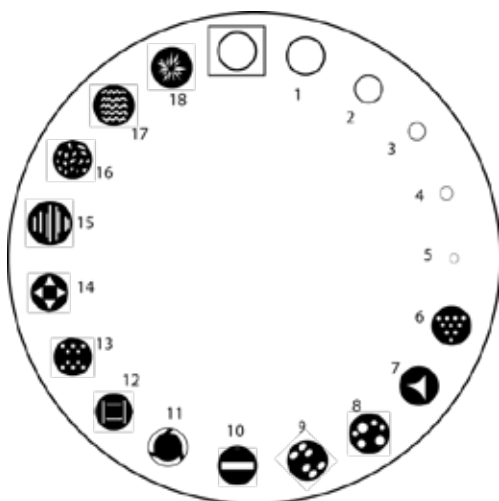
Nivel principal	Niveles de programación		Descripción	
(continuación)	(continuación)	Prism1 Rotate	0 ~ 255	Estado del canal individual
		Prism2 Rotate	0 ~ 255	
		Frost	0 ~ 255	
		Zoom	0 ~ 255	
		Focus	0 ~ 255	
		Fine Focus	0 ~ 255	
		Beam Mode	0 ~ 255	
		Special Function	0 ~ 255	

Diseños de gobo



Rueda de gobo giratorio

1. Horquillas giratorias
2. Olas fragmentadas
3. Estrella radial
4. Campo de estrellas
5. Triángulo partido
6. Sol y media luna



Rueda de gobo estático

1. Apertura 5/6
2. Apertura 2/3
3. Apertura 1/2
4. Apertura 1/3
5. Apertura total
6. Triángulo punteado
7. Triángulo curvo
8. Puntos aleatorios
9. Puntos simétricos
10. Línea
11. Círculo láser
12. Líneas cuadradas
13. Ladrillos
14. Cuadrado de triángulos
15. Sombras
16. Barra rota
17. 5 ondas
18. Estallido

Valores DMX

30CH	Canal	Función	Valor	Porcentaje/Configuración
	1	Panorámico	000 ó 255	0–100%
	2	Panorámico fino	000 ó 255	0–100%
	3	Inclinación	000 ó 255	0–100%
	4	Inclinación fina	000 ó 255	0–100%
	5	Velocidad panorámico/Inclinación	000 ó 255	0–100%
	6	Atenuador	000 ó 255	0–100%
	7	Atenuador fino	000 ó 255	0–100%
	8	Obturador	000 ó 007 008 ó 015 016 ó 131 132 ó 167 168 ó 203 204 ó 239 240 ó 247 248 ó 255	Cerrado Abierto Lento a rápido Cerrar rápido, abrir lento Cerrar lento, abrir rápido Efecto pulso de lento a rápido Efecto aleatorio de lento a rápido Abierto
	9	Cian	000 ó 255	0–100%
	10	Magenta	000 ó 255	0–100%
	11	Amarillo	000 ó 255	0–100%
	12	Rueda de color 1	000 028 050 080 100 129 150 181 200 235 255	Blanco Blanco + Suavizador de haz Suavizador de haz Suavizador de haz + Lavanda Lavanda Lavanda + CTO 3200K CTO 3200K CTO 3200K + (UV) (UV) (UV) + CTO 2500K CTO 2500K
	13	Rueda de color 2	000 028 050 080 100 129 150 181 200 235 255	Blanco Blanco + Suavizador de haz Suavizador de haz Suavizador de haz + Verde oscuro Verde oscuro Verde oscuro + Rojo oscuro Rojo oscuro Rojo oscuro + Azul oscuro Azul oscuro Azul oscuro + Menos verde

30CH	Canal	Función	Valor	Porcentaje/Configuración			
14	14	Rueda de color 3	000	Blanco			
			028	Blanco + Suavizador de haz			
			050	Suavizador de haz			
			080	Suavizador de haz + Naranja oscuro			
			100	Naranja oscuro			
			129	Naranja oscuro + Naranja claro			
			150	Naranja claro			
			181	Naranja claro + Verde claro			
			200	Verde claro			
			235	Verde claro + Rosa			
			255	Rosa			
			15	15	Rueda de gobo 1 [Diseños de gobo]	000	Abierto
						004	Gobo 1 (Apertura 5/6)
						008	Gobo 2 (Apertura 2/3)
012	Gobo 3 (Apertura 1/2)						
016	Gobo 4 (Apertura 1/3)						
019	Gobo 5 (Apertura total)						
023	Gobo 6 (Triángulo punteado)						
027	Gobo 7 (Triángulo curvo)						
031	Gobo 8 (Puntos aleatorios)						
035	Gobo 9 (Puntos simétricos)						
038	Gobo 10 (Línea)						
042	Gobo 11 (Círculo láser)						
046	Gobo 12 (Líneas cuadradas)						
050	Gobo 13 (Ladrillos)						
054	Gobo 14 (Cuadrado de triángulos)						
057	Gobo 15 (Sombras)						
061	Gobo 16 (Barra rota)						
065	Gobo 17 (5 ondas)						
069	Gobo 18 (Estallido)						
072	Desplazamiento de gobo en sentido horario, rápido a						
113	lento						
114	parada						
117	Vibración de gobo 1 en sentido antihorario, lento a rápido						
118	Gobo 2 vibrando						
159	Gobo 3 vibrando						
160	Gobo 4 vibrando						
165	Gobo 5 vibrando						
166	Gobo 6 vibrando						
170	Gobo 7 vibrando						
171	Gobo 8 vibrando						
175	Gobo 9 vibrando						
176	Gobo 10 vibrando						
181	Gobo 11 vibrando						
182	Gobo 12 vibrando						
186	Gobo 13 vibrando						
187	Gobo 14 vibrando						
191	Gobo 15 vibrando						
192	Gobo 16 vibrando						
197	Gobo 17 vibrando						
198	Gobo 18 vibrando						
202							
203							
207							
208							
214							
215							
218							
219							
223							
224							
229							
230							
234							
235							
239							
240							
245							
246							
250							
251							
255							

30CH	Canal	Función	Valor	Porcentaje/Configuración
16		Rueda de gobo 2 [Diseños de gobo]	000ó 018	Blanco
			019ó 037	Gobo 1 (Horquillas giratorias)
			038ó 056	Gobo 2 (Olas fragmentadas)
			057ó 074	Gobo 3 (Estrella radial)
			075ó 092	Gobo 4 (Campo de estrellas)
			093ó 111	Gobo 5 (Triángulo partido)
			112ó 129	Gobo 6 (Sol y media luna)
			130ó 150	Gobo 1 vibrando
			151ó 171	Gobo 2 vibrando
			172ó 192	Gobo 3 vibrando
			193ó 213	Gobo 4 vibrando
			214ó 234	Gobo 5 vibrando
			235ó 255	Gobo 6 vibrando
17		Rotación Rueda de Gobo 1	000ó 021	Posición 0-90
			022ó 042	Posición 90-180
			043ó 063	Posición 180-270
			064ó 084	Posición 270-360
			085ó 105	Posición 360-450
			106ó 127	Posición 450-540
			128ó 190	Giro en sentido horario, lento a rápido
			191ó 192	Parada
193ó 255	Giro en sentido antihorario, lento a rápido			
18		Indexado de gobo 16 bits	000ó 255	16 bits ajustable
19		Rueda de animación	000ó 255	Rueda de efectos
20		Rotación de rueda de animación	000ó 124	Giro en sentido horario, lento a rápido
			125ó 130	Parada
			131ó 255	Giro en sentido antihorario, lento a rápido
21		Prisma 1	000ó 010	Sin función
			011ó 255	Efecto de prisma
22		Rotación de prisma 1	000ó 021	Posición 0-90
			022ó 042	Posición 90-180
			043ó 063	Posición 180-270
			064ó 084	Posición 270-360
			085ó 105	Posición 360-450
			106ó 127	Posición 450-540
			128ó 190	Giro en sentido horario, lento a rápido
			191ó 192	Parada
193ó 255	Giro en sentido antihorario, lento a rápido			
23		Prisma 2	000ó 010	Sin función
			011ó 255	Efecto de prisma
24		Rotación de prisma 2	000ó 021	Posición 0-90
			022ó 042	Posición 90-180
			043ó 063	Posición 180-270
			064ó 084	Posición 270-360
			085ó 105	Posición 360-450
			106ó 127	Posición 450-540
			128ó 190	Giro en sentido horario, lento a rápido
			191ó 192	Parada
193ó 255	Giro en sentido antihorario, lento a rápido			
25		Difusor	000ó 255	0-100%

30CH	Canal	Función	Valor	Porcentaje/Configuración
	26	Zoom	000 ó 255	0–100%
	27	Foco	000 ó 255	0–100%
	28	Foco fino	000 ó 255	0–100%
	29	Modo de haz	000 ó 010 011 ó 255	Sin función Modo de haz
	30	Control	000 ó 029 030 ó 039 040 ó 049 050 ó 059 060 ó 069 070 ó 079 080 ó 089 090 ó 099 100 ó 109 110 ó 119 120 ó 129 130 ó 139 140 ó 149 150 ó 159 160 ó 169 170 ó 179 180 ó 189 190 ó 199 200 ó 209 210 ó 219 220 ó 229 230 ó 239 240 ó 245 246 ó 250 251 ó 255	Sin función Intercambio XY activado Intercambio XY desactivado Modo zoom/autofoco activado Modo zoom/autofoco desactivado Habilitar blackout XY Deshabilitar blackout XY Habilitar blackout de color Deshabilitar blackout de color Habilitar blackout de gobo Deshabilitar blackout de gobo Lámpara encendida Restablecer XY Restablecer cabeza Filtro suavizador automático activado Filtro suavizador automático desactivado Sin función Sin función Restablecer todo Todo blackout habilitar Todo blackout deshabilitar Lámpara apagada Sin función Sin función Sin función

27CH	Canal	Función	Valor	Porcentaje/Configuración
	1	Panorámico	000 ó 255	0–100%
	2	Panorámico fino	000 ó 255	0–100%
	3	Inclinación	000 ó 255	0–100%
	4	Inclinación fina	000 ó 255	0–100%
	5	Velocidad panorámico/Inclinación	000 ó 255	0–100%
	6	Atenuador	000 ó 255	0–100%
	7	Obturador	000 ó 007 008 ó 015 016 ó 131 132 ó 167 168 ó 203 204 ó 239 240 ó 247 248 ó 255	Cerrado Abierto Lento a rápido Cerrar rápido, abrir lento Cerrar lento, abrir rápido Efecto pulso de lento a rápido Efecto aleatorio de lento a rápido Abierto
	8	Cian	000 ó 255	0–100%
	9	Magenta	000 ó 255	0–100%

27CH	Canal	Función	Valor	Porcentaje/Configuración
	10	Amarillo	000 ó 255	0–100%
	11	Rueda de color 1	000 028 050 080 100 129 150 181 200 235 255	Blanco Blanco + Suavizador de haz Suavizador de haz Suavizador de haz + Lavanda Lavanda Lavanda + CTO 3200K CTO 3200K CTO 3200K + (UV) (UV) (UV) + CTO 2500K CTO 2500K
	12	Rueda de color 2	000 028 050 080 100 129 150 181 200 235 255	Blanco Blanco + Suavizador de haz Suavizador de haz Suavizador de haz + Verde oscuro Verde oscuro Verde oscuro + Rojo oscuro Rojo oscuro Rojo oscuro + Azul oscuro Azul oscuro Azul oscuro + Menos verde
	13	Rueda de color 3	000 028 050 080 100 129 150 181 200 235 255	Blanco Blanco + Suavizador de haz Suavizador de haz Suavizador de haz + Naranja oscuro Naranja oscuro Naranja oscuro + Naranja claro Naranja claro Naranja claro + Verde claro Verde claro Verde claro + Rosa Rosa

27CH	Canal	Función	Valor	Porcentaje/Configuración
			000	Abierto
			004	Gobo 1 (Apertura 5/6)
			008	Gobo 2 (Apertura 2/3)
			012	Gobo 3 (Apertura 1/2)
			016	Gobo 4 (Apertura 1/3)
			019	Gobo 5 (Apertura total)
			023	Gobo 6 (Triángulo punteado)
			027	Gobo 7 (Triángulo curvo)
			031	Gobo 8 (Puntos aleatorios)
			035	Gobo 9 (Puntos simétricos)
			038	Gobo 10 (Línea)
			042	Gobo 11 (Círculo láser)
			046	Gobo 12 (Líneas cuadradas)
			050	Gobo 13 (Ladrillos)
			054	Gobo 14 (Cuadrado de triángulos)
			057	Gobo 15 (Sombras)
			061	Gobo 16 (Barra rota)
			065	Gobo 17 (5 ondas)
			069	Gobo 18 (Estallido)
	14	Rueda de gobo 1 [Diseños de gobo]	072 ó 113	Desplazamiento de gobo en sentido horario, rápido a
			114 ó 117	lento
			118 ó 159	parada
			160 ó 165	Vibración de gobo 1 en sentido antihorario, lento a rápido
			166 ó 170	Gobo 2 vibrando
			171 ó 175	Gobo 3 vibrando
			176 ó 181	Gobo 4 vibrando
			182 ó 186	Gobo 5 vibrando
			187 ó 191	Gobo 6 vibrando
			192 ó 197	Gobo 7 vibrando
			198 ó 202	Gobo 8 vibrando
			203 ó 207	Gobo 9 vibrando
			208 ó 214	Gobo 10 vibrando
			215 ó 218	Gobo 11 vibrando
			219 ó 223	Gobo 12 vibrando
			224 ó 229	Gobo 13 vibrando
			230 ó 234	Gobo 14 vibrando
			235 ó 239	Gobo 15 vibrando
			240 ó 245	Gobo 16 vibrando
			246 ó 250	Gobo 17 vibrando
			251 ó 255	Gobo 18 vibrando
	15	Rueda de gobo 2 [Diseños de gobo]	000 ó 018	Blanco
			019 ó 037	Gobo 1 (Horquillas giratorias)
			038 ó 056	Gobo 2 (Olas fragmentadas)
			057 ó 074	Gobo 3 (Estrella radial)
			075 ó 092	Gobo 4 (Campo de estrellas)
			093 ó 111	Gobo 5 (Triángulo partido)
			112 ó 129	Gobo 6 (Sol y media luna)
			130 ó 150	Gobo 1 vibrando
			151 ó 171	Gobo 2 vibrando
			172 ó 192	Gobo 3 vibrando
			193 ó 213	Gobo 4 vibrando
			214 ó 234	Gobo 5 vibrando
			235 ó 255	Gobo 6 vibrando

27CH	Canal	Función	Valor	Porcentaje/Configuración
	16	Rotación Rueda de Gobo 1	000 ó 021 021 ó 042 042 ó 063 063 ó 084 084 ó 105 105 ó 127 128 ó 190 191 ó 192 193 ó 255	Posición 0-90 Posición 90-180 Posición 180-270 Posición 270-360 Posición 360-450 Posición 450-540 Giro en sentido horario, lento a rápido Parada Giro en sentido antihorario, lento a rápido
	17	Rueda de animación	000 ó 255	Rueda de efectos
	18	Rotación de rueda de animación	000 ó 124 125 ó 130 131 ó 255	Giro en sentido horario, lento a rápido Parada Giro en sentido antihorario, lento a rápido
	19	Prisma 1	000 ó 010 011 ó 255	Sin función Efecto de prisma
	20	Rotación de prisma 1	000 ó 021 022 ó 042 043 ó 063 064 ó 084 085 ó 105 106 ó 127 128 ó 190 191 ó 192 193 ó 255	Posición 0-90 Posición 90-180 Posición 180-270 Posición 270-360 Posición 360-450 Posición 450-540 Giro en sentido horario, lento a rápido Parada Giro en sentido antihorario, lento a rápido
	21	Prisma 2	000 ó 010 011 ó 255	Sin función Efecto de prisma
	22	Rotación de prisma 2	000 ó 021 022 ó 042 043 ó 063 064 ó 084 085 ó 105 106 ó 127 128 ó 190 191 ó 192 193 ó 255	Posición 0-90 Posición 90-180 Posición 180-270 Posición 270-360 Posición 360-450 Posición 450-540 Giro en sentido horario, lento a rápido Parada Giro en sentido antihorario, lento a rápido
	23	Difusor	000 ó 255	0-100%
	24	Zoom	000 ó 255	0-100%
	25	Foco	000 ó 255	0-100%
	26	Modo de haz	000 ó 010 011 ó 255	Sin función Modo de haz

27CH	Canal	Función	Valor	Porcentaje/Configuración
			000 ó 029	Sin función
			030 ó 039	Intercambio XY activado
			040 ó 049	Intercambio XY desactivado
			050 ó 059	Modo zoom/autofoco activado
			060 ó 069	Modo zoom/autofoco desactivado
			070 ó 079	Habilitar blackout XY
			080 ó 089	Deshabilitar blackout XY
			090 ó 099	Habilitar blackout de color
			100 ó 109	Deshabilitar blackout de color
			110 ó 119	Habilitar blackout de gobo
			120 ó 129	Deshabilitar blackout de gobo
			130 ó 139	Lámpara encendida
			140 ó 149	Restablecer XY
			150 ó 159	Restablecer cabeza
			160 ó 169	Filtro suavizador automático activado
			170 ó 179	Filtro suavizador automático desactivado
			180 ó 189	Sin función
			190 ó 199	Sin función
			200 ó 209	Restablecer todo
			210 ó 219	Todo blackout habilitar
			220 ó 229	Todo blackout deshabilitar
			230 ó 239	Lámpara apagada
			240 ó 245	Sin función
			246 ó 250	Sin función
			251 ó 255	Sin función
	27	Control		

À Propos de ce Manuel

Le manuel de référence (MR) du Maverick MK1 Hybrid reprend des informations de base sur ce produit notamment en matière de connexions, montage, options de menu et valeurs DMX. Téléchargez le Manuel d'Utilisation sur www.chauvetprofessional.com for pour de plus amples informations.

Clause de Non-Responsabilité

Les informations et caractéristiques contenues dans ce manuel sont sujettes à changement sans préavis.

Consignes de Sécurité

- N'ouvrez PAS cet appareil. Il ne contient aucun composant susceptible d'être réparé par l'utilisateur.
- Ne regardez PAS la source lumineuse lorsque le produit fonctionne.
- Durant les périodes de non-utilisation, pour éviter tout usure inutile et pour prolonger la durée de vie, déconnectez-entièrement l'appareil en le débranchant de l'alimentation électrique ou en coupant le disjoncteur.
- ATTENTION: Lorsque l'appareil est transféré d'un environnement à température extrême à un autre (par exemple d'un camion froid vers une salle de bal chaude et humide), de la condensation peut se former sur les composants électriques internes. Pour éviter de causer des dommages, laissez l'appareil s'acclimater entièrement au milieu environnant avant de le mettre sous tension.
- ATTENTION : le boîtier de ce produit peut s'avérer brûlant lors du fonctionnement.
- Montez toujours ce produit dans un endroit bien ventilé, à au moins 50 cm (20 pouces) des surfaces adjacentes.
- Ne laissez AUCUNE source inflammable dans un rayon de 50 cm du produit lorsque celui-ci fonctionne.
- Utilisez TOUJOURS un câble de sécurité lorsque vous montez ce produit en hauteur.
- N'utilisez PAS cet appareil en extérieur ou tout autre endroit où de la poussière, une chaleur excessive, de l'eau ou de l'humidité pourrait en affecter le fonctionnement. (IP20)
- N'utilisez PAS cet appareil si le boîtier, les lentilles ou les câbles vous semblent endommagés.
- Ne connectez ce produit NI à un gradateur NI à un rhéostat.
- Connectez UNIQUEMENT cet appareil à un circuit protégé et relié à la terre.
- N'utilisez QUE les lyres de suspension ou les poignées pour transporter cet appareil. Ne transportez jamais cet appareil par sa lyre asservie.
- En cas de sérieux problèmes de fonctionnement, arrêtez le système immédiatement.
- La température ambiante maximale doit être de 113° F (45° C). Ne le faites pas fonctionner à des températures plus élevées.

Contact

En dehors des États-Unis, du Royaume-Uni, de l'Irlande, du Mexique, et du Benelux, contactez votre distributeur si vous avez besoin d'assistance ou de renvoyer votre produit. Aux États-Unis, au Royaume-Uni, en Irlande, au Mexique, et au Benelux, consultez la rubrique Contact Us en fin de MR pour plus d'informations

- Contenu**
- Maverick MK1 Hybrid
 - Cordon d'entrée d'alimentation
 - Support Omega avec matériel de fixation
 - Fiche de garantie
 - Manuel de référence

Alimentation CA Cet appareil est doté d'une alimentation universelle prenant en charge toute tension d'entrée comprise entre 100 et 240 VCA, 50/60 Hz.

Prise CA	Connexion	Câble (États-Unis)	Câble (Europe)	Couleur de la vis
	Conducteur CA	Noir	Marron	Jaune/Cuivré
	Neutre CA	Blanc	Bleu	Argenté
	Terre CA	Vert/Jaune	Vert/Jaune	Vert



Durant les périodes de non-utilisation, pour éviter toute usure inutile et pour prolonger la durée de vie, déconnectez-entièrement l'appareil en le débranchant de l'alimentation électrique ou en coupant le disjoncteur.

Remplacement du Fusible

1. Débranchez l'appareil de l'alimentation.
2. À l'aide d'un tournevis à tête plate, dévissez le couvercle du porte-fusible du boîtier.
3. Retirez le fusil obsolète et remplacez-le par un fusible en bon état de même type et ampérage.
4. Revissez le couvercle du porte-fusible et rebranchez l'unité.

Connexion DMX

Le Maverick MK1 Hybrid utilise une connexion de données DMX à 3 ou 5 broches pour ses personnalités DMX : **27** et **30**. Veuillez consulter le manuel d'utilisation pour plus d'informations sur les connexions et la configuration de l'appareil en mode DMX.

Connexions du signal

Vous pouvez relier le Maverick MK1 Hybrid à un contrôleur ou à un logiciel de contrôle à l'aide d'une connexion DMX, une connexion Ethernet ou les deux à la fois. En cas d'utilisation du Maverick MK1 Hybrid conjointement avec d'autres appareils compatibles avec les protocoles Art-Net™, sACN ou Kling-Net, vous gardez le contrôle individuel sur un même réseau. Veuillez consulter le manuel d'utilisation pour plus d'informations sur la connexion et la configuration de l'appareil avec ces signaux.

Connexion Art-Net™

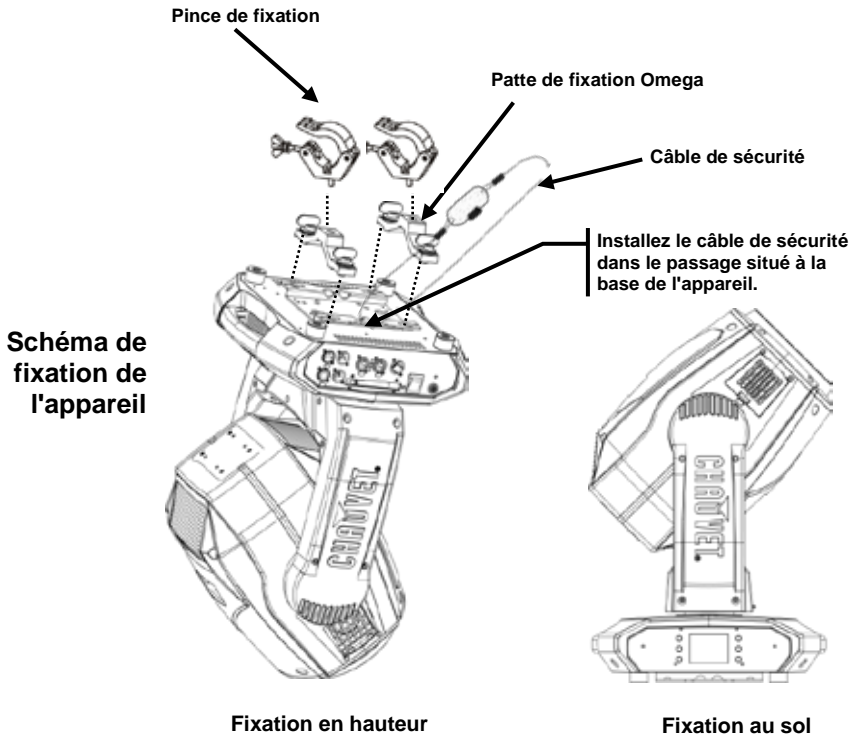
Art-Net™ est un protocole Ethernet par TCP/IP qui permet de transférer de grandes quantités de données DMX512 en utilisant une connexion etherCON RJ45 sur un grand réseau. Une introduction au protocole Art-Net™ est disponible sur le site internet www.chauvetprofessional.com. Chauvet Professional recommande d'utiliser le mode Unicast pour de meilleurs résultats.

Art-Net™ conçu et droit d'auteur par Artistic Licence Holdings Ltd.

Connexion sACN

Également appelé ANSI E1.31, le streaming ACN est un protocole Ethernet qui utilise les couches et le formatage de l'Architecture for Control Networks pour transporter des données DMX512 par IP ou tout autre réseau compatible ACN. L'ACN est maintenu par la PLASA (Professional Lighting and Sound Association).

Montage Avant de monter cet appareil, lisez et assimilez les Consignes de Sécurité. Utilisez au moins deux points de montage pour cet appareil. Veillez à ce que les fixations sont capables de supporter le poids de l'unité. Découvrez notre gamme de fixations Chauvet sur <http://trusst.com/products/>.



Panneau de commande tactile Le Maverick MK1 Hybrid est équipé d'un affichage avec un écran tactile ainsi que de 6 boutons de commande. L'écran tactile peut être verrouillé et calibré via l'option Setup (paramétrage) du menu.

Description du panneau de commande	Bouton	Fonction
	< ↑ >	Permet de naviguer vers le haut dans la liste du menu ou d'incrémenter une valeur numérique dans une fonction
	< ≡ >	Permet de sortir du menu ou de la fonction en cours
	< ↓ >	Permet de naviguer vers le bas dans la liste du menu ou de décrémenter une valeur numérique dans une fonction
	< ← >	Permet de se déplacer vers la gauche dans le menu.
	< ↵ >	Active l'entrée de menu actuellement affichée ou confirme la valeur actuellement sélectionnée pour la fonction en cours de sélection
	< → >	Permet de se déplacer vers la droite dans le menu

Plan du menu

Niveau principal	Niveaux de programmation		Description
Address	000-255		Paramétrage réseau
Art-Net Setup	Ethernet to DMX	YES	Activer la fonctionnalité Art-Net vers DMX
		NO	
	IP Mode	Manual	Sélection du mode IP
		DHCP	
		Static	
	Universe	0 ~ 255	Permet de définir l'univers
ArtNetIp	002.243.075.222	Paramétrage de l'IP	
SubMask	255.000.000.000	Masque de sous-réseau	
Personality	DMX 27CH	YES	Sélection de 27 canaux DMX
		NO	
	DMX 30CH	YES	Sélection de 30 canaux DMX
		NO	
Settings	Control Mode	DMX	Sélection du signal
		WDMX	
		ArtNet	
		sACN	
	Pan Reverse	YES	Permet d'inverser le balayage
		NO	
	Tilt Reverse	YES	Permet d'inverser le basculement
		NO	
	Screen Reverse	NO	Inversion manuelle ou automatique de l'écran
		YES	
		AUTO	
	Pan Angle	540	Permet de modifier l'angle de balayage
		360	
		180	
	Tilt Angle	270	Permet de modifier l'angle de balayage
		180	
90			
BL. O. P/T Move	YES	Activer/désactiver le noir général XY	
	NO		
BL. O. Color Move	YES	Activer/désactiver l'extinction des couleurs	
	NO		
BL. O. Gobo Move	YES	Activer/désactiver l'extinction du gobo	
	NO		
Calibration	YES	Activation du calibrage	
	NO		

Niveau principal	Niveaux de programmation		Description	
Settings (Continued)	Touchscreen Lock	YES	Verrouillage de l'écran tactile	
		NO		
	Swap X/Y	YES	Permet de permuter le balayage et le basculement	
		NO		
	X/Y Mode	Fast	Permet de modifier la vitesse de basculement	
		Slow		
	WDMX Reset	YES	Permet de réinitialiser le DMX sans fil	
		NO		
	Backlight Timer	30S	Permet d'éteindre automatiquement le rétro-éclairage après un laps de temps défini	
		1M		
		5M		
		ON		
	Loss of Data	Hold	Paramétrage de la perte de données	
		Close		
	Fans	Auto	Permet de modifier le mode de vitesse du ventilateur	
		Full		
		ECO		
	Safety Beam	OFF	Mode faisceau de sécurité	
		ON		
	Lamp Setting	On/Off	OFF	Lampe éteinte ou allumée
			ON	
		State/Power On	OFF	État de la lampe montré lorsque la lampe est allumée.
			ON	
Off Via DMX		NO	Contrôle de la lampe par DMX	
		YES		
On If DMX On		NO	Lampe allumée si DMX en marche	
		YES		
Off If DMX Off		NO	Lampe éteinte si DMX éteint	
		YES		
Ignition Delay	10 ~ 255	Paramétrer un délai pour l'allumage de la lampe		
Low Power Delay	0 ~ 255	Durée avant le passage en mode économie d'énergie		
Reset Lamp Time	NO	Réinitialiser le temps restant pour la lampe		
	YES			
Special Set	Interval	10 ~ 250	Paramétrage du rappel de maintenance de la lampe	
	Remain Time	10 ~ 250	Temps restant pour la lampe	
Reset Function	Pan/Tilt	YES/NO	Permet de réinitialiser au paramétrage d'usine chaque fonction	
	Head			
	All			

Niveau principal	Niveaux de programmation		Description	
	Factory Settings	NO	Permet de réinitialiser toutes les fonctions au paramétrage d'usine	
		YES		
Test	Auto Test		Test automatisé de l'appareil	
	Manual Test	Pan	0 ~ 255	Test individuel de chaque fonction/canal
		Pan Fine	0 ~ 255	
		Tilt	0 ~ 255	
		Tilt Fine	0 ~ 255	
		P/T Speed	0 ~ 255	
		Cyan	0 ~ 255	
		Magenta	0 ~ 255	
		Yellow	0 ~ 255	
		Color1	0 ~ 255	
		Color2	0 ~ 255	
		Color3	0 ~ 255	
		Shutter	0 ~ 255	
		Dimmer	0 ~ 255	
		Dimmer Fine	0 ~ 255	
		Gobo	0 ~ 255	
		Animation	0 ~ 255	
		Animation Rotate	0 ~ 255	
		Gobo	0 ~ 255	
		Gobo Rotate	0 ~ 255	
		Gobo Rotate Fine	0 ~ 255	
		Prism	0 ~ 255	
		Prism1 Rotate	0 ~ 255	
		Prism2 Rotate	0 ~ 255	
		Frost	0 ~ 255	
		Zoom	0 ~ 255	
		Focus	0 ~ 255	
		Fine Focus	0 ~ 255	
Beam Mode		0 ~ 255		
Special Function	0 ~ 255			

Plan du menu (suite)

Niveau principal	Niveaux de programmation		Description	
Information	Fixture Information	Ver	V1	Version courante
		Running Mode	DMX	Mode courant
		DMX Address	001	
		Temperature	025	Température actuelle
		Fixture Hours	00000	Durée de fonctionnement actuelle
		ArtNetIp	002.243.075.222	Adresse IP courante
		SubMask	255.000.000.000	Affiche le masque de sous-réseau actuel
	MAC	00.04.a3.08.00.00	Adresse MAC	
	Fan Information	Base Fan1 Speed	2000rpm	Visualiser le paramétrage de vitesse
		Base Fan2 Speed	2000rpm	Visualiser le paramétrage de vitesse
		Head Fan1 Speed	2000rpm	Visualiser le paramétrage de vitesse
		Head Fan2 Speed	2000rpm	Visualiser le paramétrage de vitesse
	Error Information	-----		Apparait à l'écran
	Channel Information	Frequency	0Hz	Statut de chaque canal
		Pan	0 ~ 255	
		Pan Fine	0 ~ 255	
		Tilt	0 ~ 255	
		Tilt Fine	0 ~ 255	
		P/T Speed	0 ~ 255	
		Cyan	0 ~ 255	
		Magenta	0 ~ 255	
Yellow		0 ~ 255		
Color1		0 ~ 255		
Color2		0 ~ 255		
Color3		0 ~ 255		
Shutter		0 ~ 255		
Dimmer		0 ~ 255		
Dimmer Fine		0 ~ 255		
Gobo		0 ~ 255		
Animation		0 ~ 255		
Animation Rotate	0 ~ 255			
Gobo	0 ~ 255			
Gobo Rotate	0 ~ 255			

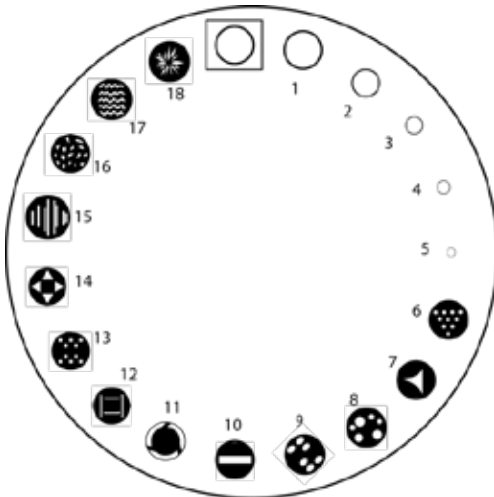
Niveau principal	Niveaux de programmation			Description
Information (suite)	Channel Information (suite)	Gobo Rotate Fine	0 ~ 255	Statut de chaque canal
		Prism	0 ~ 255	
		Prism1 Rotate	0 ~ 255	
		Prism2 Rotate	0 ~ 255	
		Frost	0 ~ 255	
		Zoom	0 ~ 255	
		Focus	0 ~ 255	
		Fine Focus	0 ~ 255	
		Beam Mode	0 ~ 255	
		Special Function	0 ~ 255	

Motifs de gobos



Roue de gobo rotatif

- | | |
|----|---------------------|
| 1. | Fourches tournantes |
| 2. | Vagues éparpillées |
| 3. | Étoile radiale |
| 4. | Champ d'étoiles |
| 5. | Triangle brisé |
| 6. | Demi-lune et soleil |



Roue de gobo statique

- | | |
|-----|--------------------|
| 1. | Ouverture 5/6 |
| 2. | Ouverture 2/3 |
| 3. | Ouverture 1/2 |
| 4. | Ouverture 1/3 |
| 5. | Pleine ouverture |
| 6. | Triangle de points |
| 7. | Triangle courbé |
| 8. | Points aléatoires |
| 9. | Points symétriques |
| 10. | Ligne |
| 11. | Cercle laser |
| 12. | Lignes carrées |
| 13. | Casse brique |
| 14. | Carré de triangles |
| 15. | Stores |
| 16. | Barre Crunch |
| 17. | 5 vagues |
| 18. | Jets |

Valeurs DMX

30CH	Canal	Fonction	Valeur	Pourcentage/Paramétrage
	1	Pan (balayage)	000ó255	0–100%
	2	Fine Pan (balayage fin)	000ó255	0–100%
	3	Tilt (basculement)	000ó255	0–100%
	4	Fine Tilt (basculement fin)	000ó255	0–100%
	5	Pan/Tilt Speed (vitesse de balayage/basculément)	000ó255	0–100%
	6	Dimmer (gradateur)	000ó255	0–100%
	7	Fine Dimmer (gradateur fin)	000ó255	0–100%
	8	Shutter (obturateur)	000ó007 008ó015 016ó131 132ó167 168ó203 204ó239 240ó247 248ó255	Fermé Ouvert Lent à rapide Fermeture rapide, ouverture lente Fermeture lente, ouverture rapide Effet de pulsation lent à rapide Effet aléatoire lent à rapide Ouvert
	9	Cyan	000ó255	0–100%
	10	Magenta	000ó255	0–100%
	11	Jaune	000ó255	0–100%
	12	Roue de couleurs 1	000 028 050 080 100 129 150 181 200 235 255	Blanc Blanc + adoucisseur de rayon Adoucisseur de rayon Adoucisseur de rayon + lavande Lavande Lavande + CTO 3200K CTO 3200K CTO 3200K + (UV) (UV) (UV) + CTO 2500K CTO 2500K
	13	Roue de couleurs 2	000 028 050 080 100 129 150 181 200 235 255	Blanc Blanc + adoucisseur de rayon Adoucisseur de rayon Adoucisseur de rayon + vert foncé Vert foncé Vert foncé + rouge foncé Rouge foncé Rouge foncé + bleu foncé Bleu foncé Bleu foncé + Minus Green (magenta de correction du vert) Minus Green

30CH	Canal	Fonction	Valeur	Pourcentage/Paramétrage			
14	14	Roue de couleurs 3	000	Blanc			
			028	Blanc + adoucisseur de rayon			
			050	Adoucisseur de rayon			
			080	Adoucisseur de rayon + orange foncé			
			100	Orange foncé			
			129	Orange foncé + orange clair			
			150	Orange clair			
			181	Orange clair + vert clair			
			200	Vert clair			
			235	Vert clair + rose			
			255	Rose			
			15	15	Roue de gobos 1 [Motifs de gobos]	000	Ouvert
						004	Gobo 1 (ouverture 5/6)
						008	Gobo 2 (ouverture 2/3)
012	Gobo 3 (ouverture 1/2)						
016	Gobo 4 (ouverture 1/3)						
019	Gobo 5 (pleine ouverture)						
023	Gobo 6 (triangle de points)						
027	Gobo 7 (triangle courbé)						
031	Gobo 8 (points aléatoires)						
035	Gobo 9 (points symétriques)						
038	Gobo 10 (ligne)						
042	Gobo 11 (cercle laser)						
046	Gobo 12 (lignes carrées)						
050	Gobo 13 (casse-brique)						
054	Gobo 14 (carré de triangles)						
057	Gobo 15 (stores)						
061	Gobo 16 (barre Crunch)						
065	Gobo 17 (5 vagues)						
069	Gobo 18 (jets)						
072	113 Défilement horaire de gobo, rapide à lent						
114	117 arrêt						
118	159 Défilement antihoraire de gobo, tremblement						
160	165 gobo 1 lent à rapide						
166	170 Tremblement gobo 2						
171	175 Tremblement gobo 3						
176	181 Tremblement gobo 4						
182	186 Tremblement gobo 5						
187	191 Tremblement gobo 6						
192	197 Tremblement gobo 7						
198	202 Tremblement gobo 8						
203	207 Tremblement gobo 9						
208	214 Tremblement gobo 10						
215	218 Tremblement gobo 11						
219	223 Tremblement gobo 12						
224	229 Tremblement gobo 13						
230	234 Tremblement gobo 14						
235	239 Tremblement gobo 15						
240	245 Tremblement gobo 16						
246	250 Tremblement gobo 17						
251	255 Tremblement gobo 18						

30CH	Canal	Fonction	Valeur	Pourcentage/Paramétrage
16		Roue de gobos 2 [Motifs de gobos]	000◊ 018	Blanc
			019◊ 037	Gobo 1 (fourches tournantes)
			038◊ 056	Gobo 2 (barre ondulée)
			057◊ 074	Gobo 3 (étoile radiale)
			075◊ 092	Gobo 4 (champ d'étoile)
			093◊ 111	Gobo 5 (triangle brisé)
			112◊ 129	Gobo 6 (demi-lune et soleil)
			130◊ 150	Tremblement gobo 1
			151◊ 171	Tremblement gobo 2
			172◊ 192	Tremblement gobo 3
			193◊ 213	Tremblement gobo 4
			214◊ 234	Tremblement gobo 5
			235◊ 255	Tremblement gobo 6
17		Rotation roue de gobos 1	000◊ 021	position 0-90
			022◊ 042	position 90-180
			043◊ 063	position 180-270
			064◊ 084	position 270-360
			085◊ 105	position 360-450
			106◊ 127	position 450-540
			128◊ 190	Rotation horaire, lent à rapide
			191◊ 192	Arrêt
193◊ 255	Rotation antihoraire, lent à rapide			
18		Indexage de gobo 16-bit	000◊ 255	Réglable sur 16-bit
19		Roue d'animations	000◊ 255	Roue d'effets
20		Rotation roue d'animations	000◊ 124	Rotation horaire, lent à rapide
			125◊ 130	Arrêt
			131◊ 255	Rotation antihoraire, lent à rapide
21		Prisme 1	000◊ 010	Aucune fonction
			011◊ 255	Effet de prisme
22		Rotation Prisme 1	000◊ 021	position 0-90
			022◊ 042	position 90-180
			043◊ 063	position 180-270
			064◊ 084	position 270-360
			085◊ 105	position 360-450
			106◊ 127	position 450-540
			128◊ 190	Rotation horaire, lent à rapide
			191◊ 192	Arrêt
193◊ 255	Rotation antihoraire, lent à rapide			
23		Prisme 2	000◊ 010	Aucune fonction
			011◊ 255	Effet de prisme
24		Rotation Prisme 2	000◊ 021	position 0-90
			022◊ 042	position 90-180
			043◊ 063	position 180-270
			064◊ 084	position 270-360
			085◊ 105	position 360-450
			106◊ 127	position 450-540
			128◊ 190	Rotation horaire, lent à rapide
			191◊ 192	Arrêt
			193◊ 255	Rotation antihoraire, lent à rapide
25		Diffusion	000◊ 255	0-100%
26		Zoom	000◊ 255	0-100%

30CH	Canal	Fonction	Valeur	Pourcentage/Paramétrage
	27	Mise au point	000ó 255	0–100%
	28	Mise au point fine	000ó 255	0–100%
	29	Mode du faisceau	000ó 010 011ó 255	Aucune fonction Beam Mode (mode du faisceau)
	30	Contrôle	000ó 029 030ó 039 040ó 049 050ó 059 060ó 069 070ó 079 080ó 089 090ó 099 100ó 109 110ó 119 120ó 129 130ó 139 140ó 149 150ó 159 160ó 169 170ó 179 180ó 189 190ó 199 200ó 209 210ó 219 220ó 229 230ó 239 240ó 245 246ó 250 251ó 255	Aucune fonction Permutation XY activée Permutation XY désactivée Mode zoom/mise au point auto activé Mode zoom/mise au point auto désactivé Activation noir général XY Désactivation noir général XY Activation arrêt des couleurs Désactivation arrêt des couleurs Activation arrêt des gobos Désactivation arrêt des gobos Lampe allumée Réinitialisation XY Réinitialisation de la tête Filtre adoucisseur automatique activé Filtre adoucisseur automatique désactivé Aucune fonction Aucune fonction Tout réinitialiser Activation arrêt total Désactivation arrêt total Lampe éteinte Aucune fonction Aucune fonction Aucune fonction

27CH	Canal	Fonction	Valeur	Pourcentage/Paramétrage
	1	Balayage	000ó 255	0–100%
	2	Balayage fin	000ó 255	0–100%
	3	Basculement	000ó 255	0–100%
	4	Basculement fin	000ó 255	0–100%
	5	Vitesse de balayage/ basculement	000ó 255	0–100%
	6	Gradateur	000ó 255	0–100%
	7	Obturbateur	000ó 007 008ó 015 016ó 131 132ó 167 168ó 203 204ó 239 240ó 247 248ó 255	Fermé Ouvert Lent à rapide Fermeture rapide, ouverture lente Fermeture lente, ouverture rapide Effet de pulsation lent à rapide Effet aléatoire lent à rapide Ouvert
	8	Cyan	000ó 255	0–100%
	9	Magenta	000ó 255	0–100%
	10	Jaune	000ó 255	0–100%

27CH	Canal	Fonction	Valeur	Pourcentage/Paramétrage
11		Roue de couleurs 1	000	Blanc
			028	Blanc + adoucisseur de rayon
			050	Adoucisseur de rayon
			080	Adoucisseur de rayon + lavande
			100	Lavande
			129	Lavande + CTO 3200K
			150	CTO 3200K
			181	CTO 3200K + (UV)
			200	(UV)
			235	(UV) + CTO 2500K
			255	CTO 2500K
			12	
028	Blanc + adoucisseur de rayon			
050	Adoucisseur de rayon			
080	Adoucisseur de rayon + vert foncé			
100	Vert foncé			
129	Vert foncé + rouge foncé			
150	Rouge foncé			
181	Rouge foncé + bleu foncé			
200	Bleu foncé			
235	Bleu foncé + Minus Green (magenta de correction du vert)			
255	Minus Green			
13		Roue de couleurs 3	000	Blanc
			028	Blanc + adoucisseur de rayon
			050	Adoucisseur de rayon
			080	Adoucisseur de rayon + orange foncé
			100	Orange foncé
			129	Orange foncé + orange clair
			150	Orange clair
			181	Orange clair + vert clair
			200	Vert clair
			235	Vert clair + rose
255	Rose			

27CH	Canal	Fonction	Valeur	Pourcentage/Paramétrage
			000	Ouvert
			004	Gobo 1 (ouverture 5/6)
			008	Gobo 2 (ouverture 2/3)
			012	Gobo 3 (ouverture 1/2)
			016	Gobo 4 (ouverture 1/3)
			019	Gobo 5 (pleine ouverture)
			023	Gobo 6 (triangle de points)
			027	Gobo 7 (triangle courbé)
			031	Gobo 8 (points aléatoires)
			035	Gobo 9 (points symétriques)
			038	Gobo 10 (ligne)
			042	Gobo 11 (cercle laser)
			046	Gobo 12 (lignes carrées)
			050	Gobo 13 (casse-brique)
			054	Gobo 14 (carré de triangles)
			057	Gobo 15 (stores)
			061	Gobo 16 (barre Crunch)
			065	Gobo 17 (5 vagues)
			069	Gobo 18 (jets)
	14	Roue de gobos 1 [Motifs de gobos]	072ó 113	Défilement horaire de gobo, rapide à lent
			114ó 117	arrêt
			118ó 159	Défilement antihoraire de gobo, tremblement
			160ó 165	gobo 1 lent à rapide
			166ó 170	Tremblement gobo 2
			171ó 175	Tremblement gobo 3
			176ó 181	Tremblement gobo 4
			182ó 186	Tremblement gobo 5
			187ó 191	Tremblement gobo 6
			192ó 197	Tremblement gobo 7
			198ó 202	Tremblement gobo 8
			203ó 207	Tremblement gobo 9
			208ó 214	Tremblement gobo 10
			215ó 218	Tremblement gobo 11
			219ó 223	Tremblement gobo 12
			224ó 229	Tremblement gobo 13
			230ó 234	Tremblement gobo 14
			235ó 239	Tremblement gobo 15
			240ó 245	Tremblement gobo 16
			246ó 250	Tremblement gobo 17
			251ó 255	Tremblement gobo 18
			000ó 018	Blanc
			019ó 037	Gobo 1 (fourches tournantes)
			038ó 056	Gobo 2 (barre ondulée)
			057ó 074	Gobo 3 (étoile radiale)
			075ó 092	Gobo 4 (champ d'étoile)
			093ó 111	Gobo 5 (triangle brisé)
	15	Roue de gobos 2 [Motifs de gobos]	112ó 129	Gobo 6 (demi-lune et soleil)
			130ó 150	Tremblement gobo 1
			151ó 171	Tremblement gobo 2
			172ó 192	Tremblement gobo 3
			193ó 213	Tremblement gobo 4
			214ó 234	Tremblement gobo 5
			235ó 255	Tremblement gobo 6

27CH	Canal	Fonction	Valeur	Pourcentage/Paramétrage
	16	Rotation roue de gobos 1	000ó 021 021ó 042 042ó 063 063ó 084 084ó 105 105ó 127 128ó 190 191ó 192 193ó 255	position 0-90 position 90-180 position 180-270 position 270-360 position 360-450 position 450-540 Rotation horaire, lent à rapide Arrêt Rotation antihoraire, lent à rapide
	17	Roue d'animations	000ó 255	Roue d'effets
	18	Rotation roue d'animations	000ó 124 125ó 130 131ó 255	Rotation horaire, lent à rapide Arrêt Rotation antihoraire, lent à rapide
	19	Prisme 1	000ó 010 011ó 255	Aucune fonction Effet de prisme
	20	Rotation Prisme 1	000ó 021 022ó 042 043ó 063 064ó 084 085ó 105 106ó 127 128ó 190 191ó 192 193ó 255	position 0-90 position 90-180 position 180-270 position 270-360 position 360-450 position 450-540 Rotation horaire, lent à rapide Arrêt Rotation antihoraire, lent à rapide
	21	Prisme 2	000ó 010 011ó 255	Aucune fonction Effet de prisme
	22	Rotation Prisme 2	000ó 021 022ó 042 043ó 063 064ó 084 085ó 105 106ó 127 128ó 190 191ó 192 193ó 255	position 0-90 position 90-180 position 180-270 position 270-360 position 360-450 position 450-540 Rotation horaire, lent à rapide Arrêt Rotation antihoraire, lent à rapide
	23	Frost (diffusion)	000ó 255	0-100%
	24	Zoom	000ó 255	0-100%
	25	Focus (mise au point)	000ó 255	0-100%
	26	Beam Mode (mode du faisceau)	000ó 010 011ó 255	Aucune fonction Beam Mode (mode du faisceau)

27CH	Canal	Fonction	Valeur	Pourcentage/Paramétrage
			000ó 029	Aucune fonction
			030ó 039	Permutation XY activée
			040ó 049	Permutation XY désactivée
			050ó 059	Mode zoom/mise au point auto activé
			060ó 069	Mode zoom/mise au point auto désactivé
			070ó 079	Activation noir général XY
			080ó 089	Désactivation noir général XY
			090ó 099	Activation arrêt des couleurs
			100ó 109	Désactivation arrêt des couleurs
			110ó 119	Activation arrêt des gobos
			120ó 129	Désactivation arrêt des gobos
			130ó 139	Lampe allumée
			140ó 149	Réinitialisation XY
			150ó 159	Réinitialisation de la tête
			160ó 169	Filtre adoucisseur automatique activé
			170ó 179	Filtre adoucisseur automatique désactivé
			180ó 189	Aucune fonction
			190ó 199	Aucune fonction
			200ó 209	Tout réinitialiser
			210ó 219	Activation arrêt total
			220ó 229	Désactivation arrêt total
			230ó 239	Lampe éteinte
			240ó 245	Aucune fonction
			246ó 250	Aucune fonction
			251ó 255	Aucune fonction
	27	Contrôle		

Over deze handleiding

De Maverick MK1 Hybrid Beknopte Handleiding (BH) bevat basisinformatie over het product, zoals aansluiting, montage, menu-opties en DMX-waarden. Download de gebruikershandleiding op www.chauvetprofessional.com voor meer informatie.

Disclaimer

De informatie en specificaties in deze BH kunnen zonder voorafgaande kennisgeving worden gewijzigd.

Veiligheids-instructies

- Open het product NIET. Het bevat geen te onderhouden onderdelen.
- KIK NIET in de lichtbron wanneer het apparaat is ingeschakeld.
- Om onnodige slijtage te elimineren en zijn levensduur te verlengen, gedurende perioden wanneer het product niet wordt gebruikt, moet u het product van de stroom afsluiten door een aardlekschakelaar om te zetten of door het te ontkoppelen.
- LET OP: Bij het verplaatsen van het product uit extreme omgevingen, (bijv. koude vrachtwagen naar warme, vochtige balzaal) kan er condensvorming optreden op de elektronica van het product. Om storingen te vermijden moet het product volledig kunnen acclimatiseren aan de omgeving voordat het op stroom wordt aangesloten.
- LET OP: De behuizing van dit product kan heet zijn wanneer het in bedrijf is.
- Monteer dit product op een plek met voldoende ventilatie, ten minste 50 cm van de aangrenzende oppervlakken.
- Plaats geen ontvlambaar materiaal binnen 50 cm van dit product als het in gebruik is of is aangesloten op het stopcontact.
- GEBRUIK een veiligheidskabel bij het boven het hoofd plaatsen van dit product.
- Gebruik dit product NIET buitenshuis of op een locatie waar stof, grote warmte, water of vochtigheid het kunnen beïnvloeden. (IP20)
- Gebruik dit product NIET als de behuizing, lenzen of kabels beschadigd lijken.
- Sluit dit product NIET aan op een dimmer of een regelweerstand.
- Sluit dit product UITSLUITEND op een geaard en beveiligd stroomcircuit.
- Gebruik UITSLUITEND de montagebeugels of de hendels om dit product te dragen. Draag het product niet aan de bewegende kop.
- Stop in het geval van ernstige operationele problemen onmiddellijk met het gebruik.
- De maximale omgevingstemperatuur bedraagt 45 °C. Gebruik dit product niet bij hogere temperaturen.

Contact

Van buiten de VS, Verenigd Koninkrijk, Ierland, Mexico of Benelux kunt u contact opnemen met de distributeur of om ondersteuning vragen dan wel het product retourneren. Maak vanuit de VS, het VK, Ierland, Mexico of Benelux gebruik van de informatie onder Contact Us aan het einde van deze BH.

- Wat is inbegrepen**
- Maverick MK1 Hybrid
 - Stroomsnoer
 - Omegabeugel met bevestigingsapparatuur
 - Garantiekaart
 - Beknopte handleiding

AC-stroom Dit product heeft een auto-bereik voeding die kan werken met een ingangsspanning van 100 tot 240 VAC, 50/60 Hz.

AC-stekker	Aansluiting	Snoer (VS)	Snoer (Europa)	Schroefkleur
	AC Live	Zwart	Bruin	Geel/messing
	AC Neutraal	Wit	Blauw	Zilver
	AC Aarde	Groen/geel	Groen/geel	Groen



Sluit om onnodige slijtage te verhinderen en de levensduur te verlengen tijdens periodes van niet-gebruik het product via stroomonderbreker of de stekker volledig van stroom af.

- Vervangen van de zekering**
1. Ontkoppel dit product van de stroom.
 2. Gebruik een platkopschroevendraaier en schroef de kap van de zekeringshouder los van de behuizing.
 3. Verwijder de doorgebrande zekering en vervang het met een werkende zekering van hetzelfde type en met dezelfde waarde.
 4. Schroef de kap van de zekeringhouder terug en steek de stekker er weer in.

DMX-aansluiting De Maverick MK2 Spot kan met een DMX-controller werken met een 3-pins of 5-pins DMX-gegevensverbinding. Op www.chauvetprofessional.com is een DMX-basishandleiding verkrijgbaar.

DMX-aansluiting De Maverick MK1 Hybrid gebruikt een 3- of 5-pins normale DMX-gegevensverbinding voor zijn DMX-persoonlijkheden: **27** en **30**. Zie de gebruikershandleiding voor meer informatie over het verbinden en configureren van het product voor DMX-werking.

Signaalverbindingen U kunt de Maverick MK2 Spot aansluiten op een controller of controllersoftware met behulp van een DMX-aansluiting, een ethernetverbinding of beide.. Bij het gebruik van andere Art-Net™, sACN, of Kling-Net-compatible producten met de Maverick MK2 Spot, kunt u deze individueel aansturen op een enkel netwerk. Zie de gebruikershandleiding voor meer informatie over het verbinden en configureren van het product voor deze signalen.

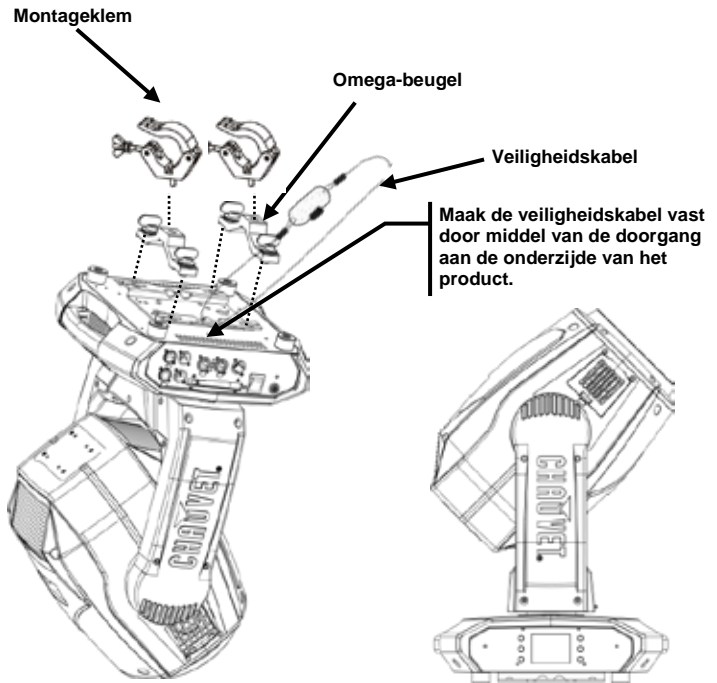
Art-Net™-aansluiting Art-Net™ is een ethernet-protocol dat gebruikmaakt van TCP/IP dat over een groot netwerk grote hoeveelheden DMX512-gegevens verzendt met behulp van een etherCON RJ45-verbinding. Een Art-Net™-protocoldocument is te verkrijgen op www.chauvetprofessional.com. Chauvet Professional raadt het gebruik van unicast-modus voor het beste resultaat.

Art-Net™ ontworpen en auteursrecht door Artistic Licence Holdings Ltd.

sACN-aansluiting Streaming-ACN staat ook wel bekend als ANSI E1.31 en is een ethernetprotocol dat de laag- en opmaakstructuur gebruikt van Architecture for Control Networks om DMX512-gegevens te transporteren over IP of een ander ACN compatibel netwerk. ACN wordt onderhouden door de Professional Lighting and Sound Association (PLASA).

Montage Lees alvorens dit product te monteren alle [Veiligheidsinstructies](#). Gebruik ten minste twee montagepunten per product. Controleer of de montageklem het gewicht van het product kan dragen. Ga voor onze Chauvet-serie montageklemmen naar <http://trusst.com/products/>.

Montagediagram van het product



Montage boven het hoofd

Plaatsing op de vloer

Aanraakscherm-bedieningspaneel De Maverick MK1 Hybrid heeft een aanraakscherm en 6 bedieningsknoppen. Met de Setup-opties in het menu kan het aanraakscherm worden vergrendeld en gekalibreerd.

Beschrijving bedieningspaneel

Toets	Functie
< ↑ >	Navigeert omhoog via het menu of verhoogt de numerieke waarde wanneer in een functie
< ≡ >	Sluit het huidige menu of functie af
< ↓ >	Navigeert omlaag via het menu of verlaagt de numerieke waarde wanneer in een functie
< ← >	Navigeert naar links door de menulijst
< ↶ >	Activeert het huidige getoonde menu of plaatst de huidige geselecteerde waarde in de geselecteerde functie
< → >	Navigeert naar rechts door de menulijst

MenuMap

Hoofdniveau	Programmeerniveaus		Beschrijving
Address	000-255		Netwerkinstelling
Art-Net Setup	Ethernet to DMX	YES	Art-Net naar DMX capaciteit inschakelen
		NO	
	IP Mode	Manual	Selectie van IP-modus
		DHCP	
		Static	
	Universe	0 ~ 255	Instellen van de Universe
ArtNetIp	002.243.075.222	IP-instelling	
SubMask	255.000.000.000	Subnet Mask	
Personality	DMX 27CH	YES	Kies 27 DMX-kanalen
		NO	
	DMX 30CH	YES	Kies 30 DMX-kanalen
		NO	
Settings	Control Mode	DMX	Signaalselectie
		WDMX	
		ArtNet	
		sACN	
	Pan Reverse	YES	Zwenking omkeren
		NO	
	Tilt Reverse	YES	Kanteling omkeren
		NO	
	Screen Reverse	NO	Het scherm automatisch of handmatig omkeren
		YES	
		AUTO	
	Pan Angle	540	Wijzig de zwenkhoek
		360	
		180	
	Tilt Angle	270	Wijzig de kantelhoek
		180	
		90	
	BL. O. P/T Move	YES	XY-verduistering inschakelen/uitschakelen
		NO	
	BL. O. Color Move	YES	Kleurverduistering inschakelen/uitschakelen
NO			
BL. O. Gobo Move	YES	Goboverduistering inschakelen/uitschakelen	
	NO		
Calibration	YES	Kalibratie inschakelen	
	NO		

Hoofdniveau	Programmeerniveaus		Beschrijving	
Settings (Continued)	Touchscreen Lock	YES	Vergrendel het aanraakscherm	
		NO		
	Swap X/Y	YES	Wissel de zwenking en kanteling	
		NO		
	X/Y Mode	Fast	Wijzigt de omwisselen	
		Slow		
	WDMX Reset	YES	Reset de draadloze DMX	
		NO		
	Backlight Timer	30S	Stel de achtergrondverlichting in om automatisch uit te schakelen na een gekozen tijdsduur	
		1M		
		5M		
		ON		
	Loss of Data	Hold	Verlies van gegevensinstelling	
		Close		
	Fans	Auto	Wijzig de ventilatorsnelheidmodus	
		Full		
		ECO		
	Safety Beam	OFF	Veiligheidsstraalmodus	
		ON		
	Lamp Setting	On/Off	OFF	Lamp aan of uit
			ON	
		State/ Power On	OFF	Lampstatus weergegeven als lamp aan is
			ON	
Off Via DMX		NO	Regel de lamp met DMX	
		YES		
On If DMX On		NO	Lamp aan als DMX aan is	
		YES		
Off If DMX Off	NO	Lamp aan als DMX uit is		
	YES			
Ignition Delay	10 ~ 255	Stel vertragingstijd voor lampontsteking in		
Low Power Delay	0 ~ 255	Vertragingstijd laag vermogen		
Reset Lamp Time	NO	Reset de resterende lamp tijd		
	YES			
Special Set	Interval	10 ~ 250	Stel herinnering voor lamponderhoud in	
	Remain Time	10 ~ 250	Resterende lamp tijd	
Reset Function	Pan/Tilt	YES/NO	Individuele functies naar fabrieksinstellingen resetten	
	Head			
	All			

Hoofdniveau	Programmeerniveaus		Beschrijving
	Factory Settings	NO	Alle functies naar fabrieksinstellingen resetten
		YES	
	Auto Test		Test het product automatisch
	Test	Manual Test	Pan 0 ~ 255
Pan Fine 0 ~ 255			
Tilt 0 ~ 255			
Tilt Fine 0 ~ 255			
P/T Speed 0 ~ 255			
Cyan 0 ~ 255			
Magenta 0 ~ 255			
Yellow 0 ~ 255			
Color1 0 ~ 255			
Color2 0 ~ 255			
Color3 0 ~ 255			
Shutter 0 ~ 255			
Dimmer 0 ~ 255			
Dimmer Fine 0 ~ 255			
Gobo 0 ~ 255			
Animation 0 ~ 255			
Animation Rotate 0 ~ 255			
Gobo 0 ~ 255			
Gobo Rotate 0 ~ 255			
Gobo Rotate Fine 0 ~ 255			
Prism 0 ~ 255			
Prism1 Rotate 0 ~ 255			
Prism2 Rotate 0 ~ 255			
Frost 0 ~ 255			
Zoom 0 ~ 255			
Focus 0 ~ 255			
Fine Focus 0 ~ 255			
Beam Mode 0 ~ 255			
Special Function 0 ~ 255			

Menu map (vervolg)

Hoofdniveau	Programmeerniveaus		Beschrijving	
Information	Fixture Information	Ver	V1	Huidige versie
		Running Mode	DMX	Huidige modus
		DMX Address	001	
		Temperature	025	Huidige temperatuur
		Fixture Hours	00000	Huidige actieve uren
		ArtNetIp	002.243.075.222	Huidige IP-adres
		SubMask	255.000.000.000	Huidige subnet mask
		MAC	00.04.a3.08.00.00	MAC-adres
	Fan Information	Base Fan1 Speed	2000rpm	Snelheidsinstelling weergeven
		Base Fan2 Speed	2000rpm	Snelheidsinstelling weergeven
		Head Fan1 Speed	2000rpm	Snelheidsinstelling weergeven
		Head Fan2 Speed	2000rpm	Snelheidsinstelling weergeven
	Error Information	-----		Verschijnt op het scherm
	Channel Information	Frequency	0Hz	Status van individueel kanaal
		Pan	0 ~ 255	
		Pan Fine	0 ~ 255	
		Tilt	0 ~ 255	
		Tilt Fine	0 ~ 255	
		P/T Speed	0 ~ 255	
		Cyan	0 ~ 255	
Magenta		0 ~ 255		
Yellow		0 ~ 255		
Color1		0 ~ 255		
Color2		0 ~ 255		
Color3		0 ~ 255		
Shutter		0 ~ 255		
Dimmer		0 ~ 255		
Dimmer Fine		0 ~ 255		
Gobo		0 ~ 255		
Animation		0 ~ 255		
Animation Rotate	0 ~ 255			
Gobo	0 ~ 255			
Gobo Rotate	0 ~ 255			
Gobo Rotate Fine	0 ~ 255			

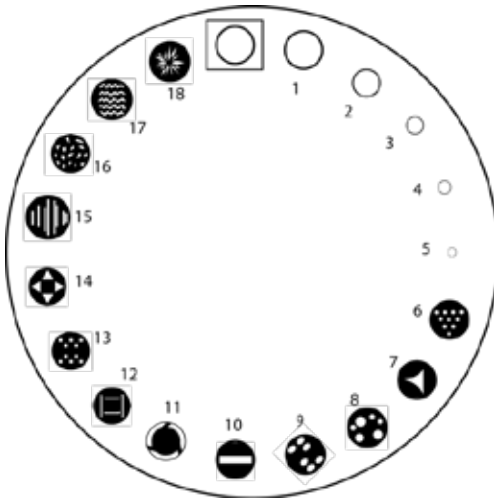
Hoofdniveau	Programmeerniveaus		Beschrijving	
Information (continued)	Channel Information (continued)	Prism	0 ~ 255	Status van individueel kanaal
		Prism1 Rotate	0 ~ 255	
		Prism2 Rotate	0 ~ 255	
		Frost	0 ~ 255	
		Zoom	0 ~ 255	
		Focus	0 ~ 255	
		Fine Focus	0 ~ 255	
		Beam Mode	0 ~ 255	
		Special Function	0 ~ 255	

Gobo-ontwerpen



Gobowiel roteren

- | | |
|----|-------------------|
| 1. | Draaiende vorken |
| 2. | Brekende golven |
| 3. | Radiaalster |
| 4. | Sterrenveld |
| 5. | Gebroken driehoek |
| 6. | Halve maan en zon |



Statisch gobowiel

- | | |
|-----|---------------------|
| 1. | Opening 5/6 |
| 2. | Opening 2/3 |
| 3. | Opening 1/2 |
| 4. | Opening 1/3 |
| 5. | Volledige opening |
| 6. | Driehoekpunten |
| 7. | Bochtige driehoek |
| 8. | Willekeurige punten |
| 9. | Symmetrische punten |
| 10. | Lijn |
| 11. | Lasercirkel |
| 12. | Vierkante lijnen |
| 13. | Baksteen uit |
| 14. | Driehoek vierkant |
| 15. | Schaduwen |
| 16. | Crunch Bar |
| 17. | 5 golven |
| 18. | Uitbarsting |

DMX-waarden

30CH	Kanaal	Functie	Waarde	Percentage/instelling
	1	Zwenken	000ó255	0–100%
	2	Fijn zwenken	000ó255	0–100%
	3	Kantelen	000ó255	0–100%
	4	Fijn kantelen	000ó255	0–100%
	5	Zwenk- /kantelsnelheid	000ó255	0–100%
	6	Dimmer	000ó255	0–100%
	7	Fijne dimmer	000ó255	0–100%
	8	Sluiter	000ó007 008ó015 016ó131 132ó167 168ó203 204ó239 240ó247 248ó255	Gesloten Open Langzaam tot snel Snel sluiten, langzaam openen Langzaam sluiten, snel openen Pulseffect van langzaam tot snel Willekeurig effect van langzaam tot snel Open
	9	Cyaan	000ó255	0–100%
	10	Magenta	000ó255	0–100%
	11	Geel	000ó255	0–100%
	12	Kleurenwiel 1	000 028 050 080 100 129 150 181 200 235 255	Wit Wit + straalverzachter Straalverzachter Straalverzachter + lavendel Lavendel Lavendel + CTO 3200K CTO 3200K CTO 3200K + (UV) (UV) (UV) + CTO 2500K CTO 2500K
	13	Kleurenwiel 2	000 028 050 080 100 129 150 181 200 235 255	Wit Wit + straalverzachter Straalverzachter Straalverzachter + donkergroen Donkergroen Donkergroen + donkerrood Donkerrood Donkerrood + donkerblauw Donkerblauw Donkerblauw + minus groen Minus groen

30CH	Kanaal	Functie	Waarde	Percentage/instelling			
14		Kleurenwiel 3	000	Wit			
			028	Wit + straalverzachter			
			050	Straalverzachter			
			080	Straalverzachter + donkeroranje			
			100	Donkeroranje			
			129	Donkeroranje + lichtoranje			
			150	Lichtoranje			
			181	Lichtoranje + lichtgroen			
			200	Lichtgroen			
			235	Lichtgroen + roze			
			255	Roze			
			15		Gobo-wiel 1 [Gobo-ontwerpen]	000	Open
						004	Gobo 1 (Opening 5/6)
						008	Gobo 2 (Opening 2/3)
012	Gobo 3 (Opening 1/2)						
016	Gobo 4 (Opening 1/3)						
019	Gobo 5 (Volledige opening)						
023	Gobo 6 (Driehoekstippen)						
027	Gobo 7 (Bochtige driehoek)						
031	Gobo 8 (Willekeurige stippen)						
035	Gobo 9 (Symmetrische stippen)						
038	Gobo 10 (Lijn)						
042	Gobo 11 (Laser cirkel)						
046	Gobo 12 (Vierkante lijnen)						
050	Gobo 13 (Baksteen uit)						
054	Gobo 14 (Driehoek vierkant)						
057	Gobo 15 (Schaduw)						
061	Gobo 16 (Crunch Bar)						
065	Gobo 17 (5 golven)						
069	Gobo 18 (Uitbarsting)						
072	113 Gobowijziging met de klok mee, snel tot langzaam						
114	117 stop						
118	159 Gobowijziging tegen de klok in, langzaam tot snel						
160	165 Gobo 1 schudden						
166	170 Gobo 2 schudden						
171	175 Gobo 3 schudden						
176	181 Gobo 4 schudden						
182	186 Gobo 5 schudden						
187	191 Gobo 6 schudden						
192	197 Gobo 7 schudden						
198	202 Gobo 8 schudden						
203	207 Gobo 9 schudden						
208	214 Gobo 10 schudden						
215	218 Gobo 11 schudden						
219	223 Gobo 12 schudden						
224	229 Gobo 13 schudden						
230	234 Gobo 14 schudden						
235	239 Gobo 15 schudden						
240	245 Gobo 16 schudden						
246	250 Gobo 17 schudden						
251	255 Gobo 18 schudden						

30CH	Kanaal	Functie	Waarde	Percentage/instelling
16	Gobo-wiel 2 [Gobo-ontwerpen]	000ó 018	Wit	
		019ó 037	Gobo 1 (Draaiende vorken)	
		038ó 056	Gobo 2 (Brekende golven)	
		057ó 074	Gobo 3 (Radiaalster)	
		075ó 092	Gobo 4 (Sterrenveld)	
		093ó 111	Gobo 5 (Gebroken driehoek)	
		112ó 129	Gobo 6 (Halve maan en zon)	
		130ó 150	Gobo 1 schudden	
		151ó 171	Gobo 2 schudden	
		172ó 192	Gobo 3 schudden	
		193ó 213	Gobo 4 schudden	
		214ó 234	Gobo 5 schudden	
		235ó 255	Gobo 6 schudden	
17	Gobo-wiel 1 rotatie	000ó 021	0-90 positie	
		022ó 042	90-180 positie	
		043ó 063	180-270 positie	
		064ó 084	270-360 positie	
		085ó 105	360-450 positie	
		106ó 127	450-540 positie	
		128ó 190	Roteren met de klok mee, langzaam tot snel	
		191ó 192	Stop	
193ó 255	Tegen de klok in roteren, langzaam tot snel			
18	Gobo indexering 16-bit	000ó 255	16-bit aanpasbaar	
19	Animatiewiel	000ó 255	Effectwiel	
20	Rotatie animatiewiel	000ó 124	Roteren met de klok mee, langzaam tot snel	
		125ó 130	Stop	
		131ó 255	Tegen de klok in roteren, langzaam tot snel	
21	Prisma 1	000ó 010	Geen functie	
		011ó 255	Prismaeffect	
22	Prisma 1 rotatie	000ó 021	0-90 positie	
		022ó 042	90-180 positie	
		043ó 063	180-270 positie	
		064ó 084	270-360 positie	
		085ó 105	360-450 positie	
		106ó 127	450-540 positie	
		128ó 190	Roteren met de klok mee, langzaam tot snel	
		191ó 192	Stop	
193ó 255	Tegen de klok in roteren, langzaam tot snel			
23	Prisma 2	000ó 010	Geen functie	
		011ó 255	Prismaeffect	
24	Prisma 2 rotatie	000ó 021	0-90 positie	
		022ó 042	90-180 positie	
		043ó 063	180-270 positie	
		064ó 084	270-360 positie	
		085ó 105	360-450 positie	
		106ó 127	450-540 positie	
		128ó 190	Roteren met de klok mee, langzaam tot snel	
		191ó 192	Stop	
		193ó 255	Tegen de klok in roteren, langzaam tot snel	
25	Frost	000ó 255	0-100%	
26	Zoom	000ó 255	0-100%	

30CH	Kanaal	Functie	Waarde	Percentage/instelling
	27	Focus	000ó255	0–100%
	28	Fijne focus	000ó255	0–100%
	29	Straalmodus	000ó010 011ó255	Geen functie Straalmodus
	30	Regeling	000ó029 030ó039 040ó049 050ó059 060ó069 070ó079 080ó089 090ó099 100ó109 110ó119 120ó129 130ó139 140ó149 150ó159 160ó169 170ó179 180ó189 190ó199 200ó209 210ó219 220ó229 230ó239 240ó245 246ó250 251ó255	Geen functie XY wissel aan XY wissel uit Zoom/autofocus-modus aan Zoom/autofocus-modus uit XY-verduisteren ingeschakeld XY-verduisteren uitgeschakeld Kleurverduisteren ingeschakeld Kleurverduisteren uitgeschakeld Goboverduisteren ingeschakeld Goboverduisteren uitgeschakeld Lamp aan XY reset Kopreset Auto zachte filter aan Auto zachte filter uit Geen functie Geen functie Reset alle Alles verduisteren ingeschakeld Alles verduisteren uitgeschakeld Lamp uit Geen functie Geen functie Geen functie

27CH	Kanaal	Functie	Waarde	Percentage/instelling
	1	Zwenken	000ó 255	0–100%
	2	Fijn zwenken	000ó 255	0–100%
	3	Kantelen	000ó 255	0–100%
	4	Fijn kantelen	000ó 255	0–100%
	5	Zwenk-/kantelsnelheid	000ó 255	0–100%
	6	Dimmer	000ó 255	0–100%
	7	Sluiter	000ó 007 008ó 015 016ó 131 132ó 167 168ó 203 204ó 239 240ó 247 248ó 255	Gesloten Open Langzaam tot snel Snel sluiten, langzaam openen Langzaam sluiten, snel openen Pulseffect van langzaam tot snel Willekeurig effect van langzaam tot snel Open
	8	Cyaan	000ó 255	0–100%
	9	Magenta	000ó 255	0–100%
	10	Geel	000ó 255	0–100%
	11	Kleurenwiel 1	000 028 050 080 100 129 150 181 200 235 255	Wit Wit + straalverzachter Straalverzachter Straalverzachter + lavendel Lavendel Lavendel + CTO 3200K CTO 3200K CTO 3200K + (UV) (UV) (UV) + CTO 2500K CTO 2500K
	12	Kleurenwiel 2	000 028 050 080 100 129 150 181 200 235 255	Wit Wit + straalverzachter Straalverzachter Straalverzachter + donkergroen Donkergroen Donkergroen + donkerrood Donkerrood Donkerrood + donkerblauw Donkerblauw Donkerblauw + minus groen Minus groen
	13	Kleurenwiel 3	000 028 050 080 100 129 150 181 200 235 255	Wit Wit + straalverzachter Straalverzachter Straalverzachter + donkeroranje Donkeroranje Donkeroranje + lichtoranje Lichtoranje Lichtoranje + lichtgroen Lichtgroen Lichtgroen + roze Roze

27CH	Kanaal	Functie	Waarde	Percentage/instelling
			000	Open
			004	Gobo 1 (Opening 5/6)
			008	Gobo 2 (Opening 2/3)
			012	Gobo 3 (Opening 1/2)
			016	Gobo 4 (Opening 1/3)
			019	Gobo 5 (Volledige opening)
			023	Gobo 6 (Driehoekstippen)
			027	Gobo 7 (Bochtige driehoek)
			031	Gobo 8 (Willekeurige stippen)
			035	Gobo 9 (Symmetrische stippen)
			038	Gobo 10 (Lijn)
			042	Gobo 11 (Laser cirkel)
			046	Gobo 12 (Vierkante lijnen)
			050	Gobo 13 (Baksteen uit)
			054	Gobo 14 (Driehoek vierkant)
			057	Gobo 15 (Schaduwten)
			061	Gobo 16 (Crunch Bar)
			065	Gobo 17 (5 golven)
			069	Gobo 18 (Uitbarsting)
	14	Gobo-wiel 1 [Gobo-ontwerpen]	072 ó 113	Gobowijziging met de klok mee, snel tot langzaam
			114 ó 117	stop
			118 ó 159	Gobowijziging tegen de klok in, langzaam tot snel
			160 ó 165	Gobo 1 schudden
			166 ó 170	Gobo 2 schudden
			171 ó 175	Gobo 3 schudden
			176 ó 181	Gobo 4 schudden
			182 ó 186	Gobo 5 schudden
			187 ó 191	Gobo 6 schudden
			192 ó 197	Gobo 7 schudden
			198 ó 202	Gobo 8 schudden
			203 ó 207	Gobo 9 schudden
			208 ó 214	Gobo 10 schudden
			215 ó 218	Gobo 11 schudden
			219 ó 223	Gobo 12 schudden
			224 ó 229	Gobo 13 schudden
			230 ó 234	Gobo 14 schudden
			235 ó 239	Gobo 15 schudden
			240 ó 245	Gobo 16 schudden
			246 ó 250	Gobo 17 schudden
			251 ó 255	Gobo 18 schudden
	15	Gobo-wiel 2 [Gobo-ontwerpen]	000 ó 018	Wit
			019 ó 037	Gobo 1 (Draaiende vorken)
			038 ó 056	Gobo 2 (Brekende golven)
			057 ó 074	Gobo 3 (Radiaalster)
			075 ó 092	Gobo 4 (Sterrenveld)
			093 ó 111	Gobo 5 (Gebroken driehoek)
			112 ó 129	Gobo 6 (Halve maan en zon)
			130 ó 150	Gobo 1 schudden
			151 ó 171	Gobo 2 schudden
			172 ó 192	Gobo 3 schudden
			193 ó 213	Gobo 4 schudden
			214 ó 234	Gobo 5 schudden
			235 ó 255	Gobo 6 schudden

27CH	Kanaal	Functie	Waarde	Percentage/instelling
	16	Gobo-wiel 1 rotatie	000ó 021 021ó 042 042ó 063 063ó 084 084ó 105 105ó 127 128ó 190 191ó 192 193ó 255	0-90 positie 90-180 positie 180-270 positie 270-360 positie 360-450 positie 450-540 positie Roteren met de klok mee, langzaam tot snel Stop Tegen de klok in roteren, langzaam tot snel
	17	Animatiewiel	000ó 255	Effectwiel
	18	Rotatie animatiewiel	000ó 124 125ó 130 131ó 255	Roteren met de klok mee, langzaam tot snel Stop Tegen de klok in roteren, langzaam tot snel
	19	Prisma 1	000ó 010 011ó 255	Geen functie Prismaeffect
	20	Animatiewiel	000ó 021 022ó 042 043ó 063 064ó 084 085ó 105 106ó 127 128ó 190 191ó 192 193ó 255	0-90 positie 90-180 positie 180-270 positie 270-360 positie 360-450 positie 450-540 positie Roteren met de klok mee, langzaam tot snel Stop Tegen de klok in roteren, langzaam tot snel
	21	Prisma 2	000ó 010 011ó 255	Geen functie Prismaeffect
	22	Prisma 2 rotatie	000ó 021 022ó 042 043ó 063 064ó 084 085ó 105 106ó 127 128ó 190 191ó 192 193ó 255	0-90 positie 90-180 positie 180-270 positie 270-360 positie 360-450 positie 450-540 positie Roteren met de klok mee, langzaam tot snel Stop Tegen de klok in roteren, langzaam tot snel
	23	Frost	000ó 255	0-100%
	24	Zoom	000ó 255	0-100%
	25	Focus	000ó 255	0-100%
	26	Straalmodus	000ó 010 011ó 255	Geen functie Straalmodus

27CH	Kanaal	Functie	Waarde	Percentage/instelling
			000ó 029	Geen functie
			030ó 039	XY wissel aan
			040ó 049	XY wissel uit
			050ó 059	Zoom/autofocus-modus aan
			060ó 069	Zoom/autofocus-modus uit
			070ó 079	XY-verduisteren ingeschakeld
			080ó 089	XY-verduisteren uitgeschakeld
			090ó 099	Kleurverduisteren ingeschakeld
			100ó 109	Kleurverduisteren uitgeschakeld
			110ó 119	Goboverduisteren ingeschakeld
			120ó 129	Goboverduisteren uitgeschakeld
			130ó 139	Lamp aan
			140ó 149	XY reset
			150ó 159	Kopreset
			160ó 169	Auto zachte filter aan
			170ó 179	Auto zachte filter uit
			180ó 189	Geen functie
			190ó 199	Geen functie
			200ó 209	Reset alle
			210ó 219	Alles verduisteren ingeschakeld
			220ó 229	Alles verduisteren uitgeschakeld
			230ó 239	Lamp uit
			240ó 245	Geen functie
			246ó 250	Geen functie
			251ó 255	Geen functie
	27	Regeling		

Contact Us

USA WORLD HEADQUARTERS

General Information - Chauvet

Address: 5200 NW 108th Avenue
Sunrise, FL 33351
Voice: (954) 577-4455
Fax: (954) 929-5560
Toll free: (800) 762-1084

Technical Support

Voice: (844) 393- 7575
Fax: (954) 756-8015
Email: chauvetcs@chauvetlighting.com

World Wide Web

www.chauvetlighting.com

EUROPE

General Information - Chauvet Europe BVBA

Address: Stokstraat 18
9770 Kruishoutem
Belgium
Voice: +32 9 388 93 97

Technical Support

Email: Eutech@chauvetlighting.eu

World Wide Web

www.chauvetlighting.eu

General Information - Chauvet Europe Ltd.

Address: Unit 1C
Brookhill Road Industrial Estate
Pinxton, Nottingham, UK
NG16 6NT
Voice: +44 (0)1773 511115
Fax: +44 (0)1773 511110

Technical Support

Email: uktech@chauvetlighting.com

World Wide Web

www.chauvetlighting.co.uk

MEXICO

General Information - Chauvet Mexico

Address: Av. De las Partidas 34- 3B
Zona Industrial Lerma
(Entrance by Calle 2)
Lerma, Edo. de Mexico C.P. 52000
Voice: +52 (728) 690-2010

Technical Support

Email: servicio@chauvet.com.mx

World Wide Web

www.chauvet.com.mx

Visit the applicable website above to verify our contact information and instructions to request support. Outside the U.S., United Kingdom, Ireland, Mexico, or Benelux contact the dealer of record.



UL 1573
CSA C22.2 No. 166
E113093

