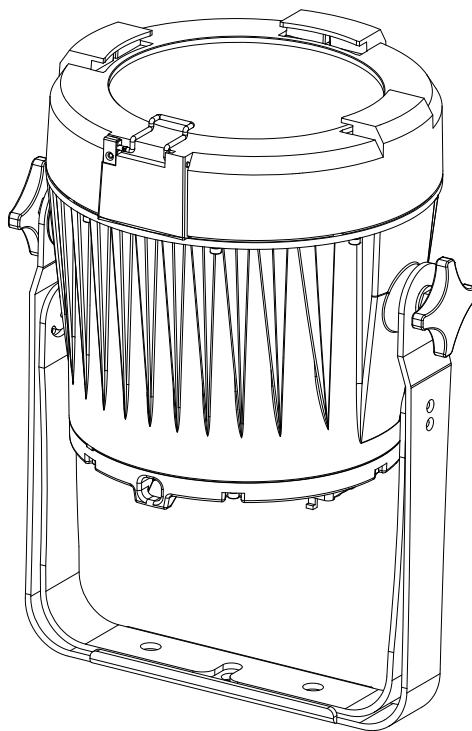


COLORADO 3 SOLO

Quick Reference Guide

English	EN
Español	ES
Français	FR
Nederlands	NL



About This Guide

The Colorado 3 Solo Quick Reference Guide (QRG) has basic product information such as connection, mounting, menu options, and DMX values. Download the User Manual from www.chauvetprofessional.com for more details.

Disclaimer

The information and specifications contained in this QRG are subject to change without notice.

Safety Notes

- DO NOT open this product. It contains no user-serviceable parts.
- To eliminate unnecessary wear and improve its lifespan, during periods of non-use completely disconnect the product from power via breaker or by unplugging it.
- DO NOT look at the light source when the product is on.
- CAUTION: This product's housing may be hot when lights are operating. Mount this product in a location with adequate ventilation, at least 20 in (50 cm) from adjacent surfaces.
- DO NOT leave any flammable material within 50 cm of this product while operating or connected to power.
- CAUTION: When transferring product from extreme temperature environments, (e.g., cold truck to warm humid ballroom) condensation may form on the internal electronics of the product. To avoid causing a failure, allow product to fully acclimate to the surrounding environment before connecting it to power.
- Not for permanent outdoor installation in locations with extreme environmental conditions. This includes, but is not limited to:
 - Exposure to a marine/saline environment (within 3 miles of a saltwater body of water).
 - Where the normal high or low temperatures of the location exceed the temperature ranges in this manual.
 - Locations that are prone to flooding or being buried in snow.
 - Other areas where the product will be subject to extreme radiation or caustic substances.
- USE a safety cable when mounting this product overhead.
- DO NOT submerge this product (IP65). Regular outdoor operation is fine.
- DO NOT operate this product if the housing, lenses, or cables appear damaged.
- DO NOT connect this product to a dimmer or rheostat.
- ONLY connect this product to a grounded and protected circuit.
- ONLY use the hanging/mounting bracket to carry this product.
- In the event of a serious operating problem, stop using immediately.
- The maximum ambient temperature is 113 °F (45 °C). Do not operate this product at higher temperatures.

Contact

Outside the U.S., United Kingdom, Ireland, Mexico, or Benelux, contact your distributor to request support or return a product. From inside the U.S., UK, Ireland, Mexico, or Benelux, use the information in [Contact Us](#) at the end of this QRG.

What is Included

- Colorado 3 Solo
- Seetronic Powerkon IP65 power cord
- Warranty Card
- Quick Reference Guide

AC Power

This product has an auto-ranging power supply that can work with an input voltage range of 100–240 VAC, 50/60 Hz.

Power Linking

You can link up to 8 Colorado 3 Solo products at 120 VAC or 15 at 230 VAC. Never exceed this number. Power linking cords can be purchased separately.

AC Plug

Connection	Wire (U.S.)	Wire (Europe)	Screw Color
AC Live	Black	Brown	Yellow/Brass
AC Neutral	White	Blue	Silver
AC Ground	Green/Yellow	Green/Yellow	Green



- To eliminate unnecessary wear and improve its lifespan, during periods of non-use completely disconnect the product from power via breaker or by unplugging it.
- When using this product in an outdoor IP65 type environment, be sure to use IP65 (or higher) rated power cables and secure unused ports with attached IP65 covers.

DMX Linking

The Colorado 3 Solo will work with a DMX controller using a 3- or 5-pin DMX serial connection. A DMX Primer is available from www.chauvetprofessional.com.

DMX Connection

The Colorado 3 Solo uses a 3- or 5-pin DMX data connection for its DMX personalities: **STD.Y**, **TOUR**, **TR16**, **SSP** and **HSIC**. See the User Manual for information about connecting and configuring the product for DMX operation.



When using this product in an outdoor IP65 type environment, be sure to use IP65 (or higher) rated data cables and secure unused ports with attached IP65 covers.



Note: For optimum control of the 16-bit dimming channels in the TR16 and STD.Y personalities, be sure that both dimming curves in SETTING > DIMMER are set to OFF

Master/Slave Connection

The Colorado 3 Solo uses the DMX data connection for its Master/Slave mode. See the User Manual for information about connect and configure the product for master/slave operation.

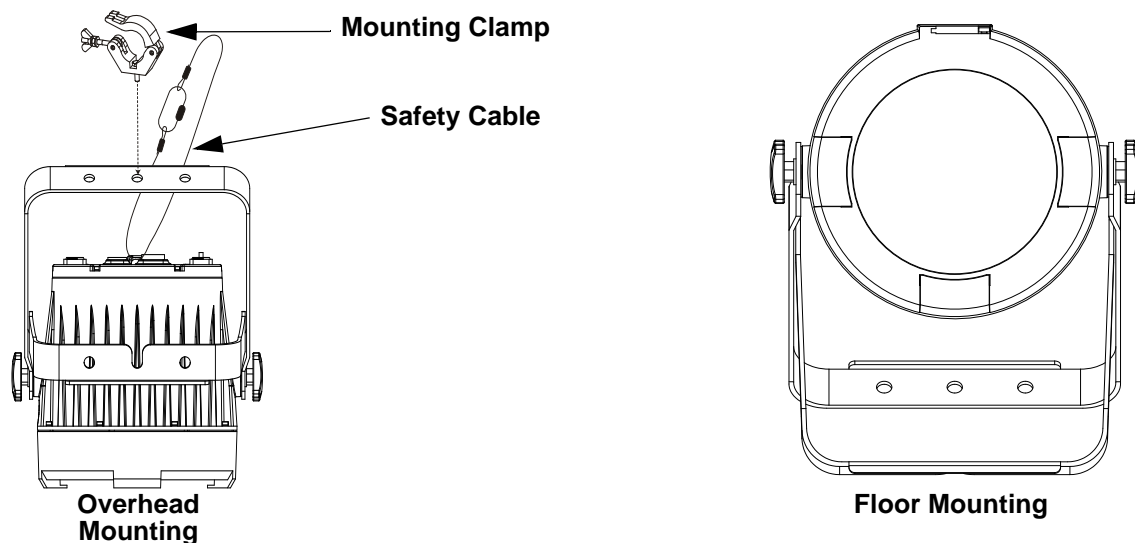
RDM (Remote Device Management)

Remote Device Management, or RDM, is a standard for allowing DMX-enabled devices to communicate bi-directionally along existing DMX cabling. Check the DMX controller's User Manual or with the manufacturer as not all DMX controllers have this capability. The Colorado 3 Solo supports RDM protocol that allows feedback to make changes to menu map options. Download the User Manual from www.chauvetprofessional.com for more details.

Mounting

Before mounting this product, read the [Safety Notes](#). Use at least one mounting point per product. Make sure the mounting clamps are capable of supporting the weight of the product. For our Chauvet line of mounting clamps, go to <http://trusst.com/productcategory/truss-clamps/>

Product Mounting Diagram



Control Panel Description

Button	Function
<MENU>	Exits from the current menu or function
<ENTER>	Enables the currently displayed menu or sets the currently selected value into the selected function
<UP>	Navigates upwards through the menu list or increases the numeric value when in a function
<DOWN>	Navigates downwards through the menu list or decreases the numeric value when in a function

QUICK REFERENCE GUIDE



EN

Passcode

After being prompted, enter the following passcode by pressing:

<UP>, <DOWN>, <UP>, <DOWN>, <ENTER>

This passcode cannot be changed and must be used whenever prompted.

Menu Map

Main Level	Programming Levels			Description	
STATIC	RED	0-255		Combines red, green, blue, and white to make a custom color (0–100%)	
	GREEN				
	BLUE				
	WHITE				
	ZOOM				
	STROBE			Changes the beam angle (zoom)	
ADDRESS	001-512			Sets the DMX starting address	
AUTO PROGRAM	AUTO 1-10	SPEED 0-255		Selects automatic programs and auto program speed	
	PROGRAM 1-10			Selects customizable programs	
RUN MODE	DMX			Receives DMX signals from the DMX controller	
	SLAVE			Receives DMX signals from the master	
ZOOM MODE	ZOOM MODE 1			Normal operation	
	ZOOM MODE 2			Recommended for use Below 40 °F	
PERSONALITY	HSIC			9-channel: H/S/CCT control, dimmer, strobe, zoom, zoom reset, dimmer speed	
	SSP			9-channel: R/G/B/W, dimmer, strobe, zoom, zoom reset, dimmer speed	
	TOUR			12-channel: R/G/B/W, dimmer, strobe, color macro, auto/custom, dimmer speed, auto speed, zoom, zoom reset	
	TR16			17-channel: 16-bit RGBW and dimmer; strobe, color macro, auto/custom, dimmer speed, auto speed, zoom, zoom reset	
	STD.Y			17-channel: 16-bit RGBW and dimmer; strobe, color macro, auto/custom, dimmer speed, auto speed, zoom, zoom reset	
EDIT	PROGRAM 1-10	SCENE-01-30	RED	0-255	Combines red, green, blue, and white to make a custom color (0-100%)
			GREEN		
			BLUE		
			WHITE		
			ZOOM		
			STROBE		
			TIME		
FADE					
					Changes the beam angle (zoom)
					Selects the strobe frequency (0–20 Hz)
					Defines the step duration (slow to fast)
					Defines the fade duration (slow to fast)

Main Level	Programming Levels				Description
SETTING	**** (Enter Passcode)	UPLOAD	**** (Enter Passcode)	SEND	Uploads custom programs to other Télécharge les programmes personnalisés sur d'autres COLORado 3 Solo s
			RESET	**** (Enter Passcode)	
		COLOR	OFF		RGB set to 255 = max. output
			RGBW		RGB set to 255 = balanced white
			UC		Universal color balance
		DIMMER	OFF		Selects dimming profiles from fast (DIM1) to slow (DIM4) or OFF
			DIM1		
			DIM2		
			DIM3		
		DMX ERROR	SAVE		Continues with last command upon loss of DMX control
			BLACK		Blacks out fixture upon loss of DMX
		PWM	600HZ		Selects the PWM output frequency
			1200HZ		
			2000HZ		
			2400HZ		
6000HZ					
18000HZ					
FULL POWER CCT	25000HZ		Sets the color temperature when all color faders are set to 100%		
	Warm White				
	Neutral White				
	Cool White#1				
FULL POWER CCT	Cool White#2		Manual color temperature		
	NORMAL				
KEY	OFF			Sets to key lock (Passcode mode)	
	ON				
CALIB.C	**** (Enter Passcode)	WHITE-01-11	RED	0-255	Modifies the color macros used in the TOUR,STD.Y, and TR16 personalities
			GREEN		
			BLUE		
			WHITE		
		RGBW	R.		Defines the color temperature used when COLOR is set to RGBW
	G.				
	B.				
INFO	VERSION		V....	Shows installed software version	
	RDM	UID		Shows product UID
		LABEL		COLORADO 3 SOLO	Shows product name

QUICK REFERENCE GUIDE



EN

DMX Values

STD.Y	Channel	Function	Value	Percent/Setting
	1	Dimmer	000 ⇔ 255	0-100%
	2	Fine Dimmer	000 ⇔ 255	Fine control (16-bit) (Step Duration if Custom 1–10 in CH. 13 is active)
	3	Red	000 ⇔ 255	0–100% (Fade Duration if Custom 1–10 in CH. 13 is active)
	4	Fine Red	000 ⇔ 255	Fine control (16-bit)
	5	Green	000 ⇔ 255	0-100%
	6	Fine Green	000 ⇔ 255	Fine control (16-bit)
	7	Blue	000 ⇔ 255	0-100%
	8	Fine Blue	000 ⇔ 255	Fine control (16-bit)
	9	White	000 ⇔ 255	0-100%
	10	Fine White	000 ⇔ 255	Fine control (16-bit)
	11	Color Macro + White Balance	000 ⇔ 010	No function
			011 ⇔ 030	R:100% G: 0-100% B: 0
			031 ⇔ 050	R:100%-0 G: 100% B: 0
			051 ⇔ 070	R:0 G: 100% B: 0-100%
			071 ⇔ 090	R:0 G: 100%-0 B: 100%
			091 ⇔ 110	R:0-100% G: 0 B: 100%
			111 ⇔ 130	R:100% G: 0 B: 100%-0
			131 ⇔ 150	R:100% G: 0-100% B: 0-100%
			151 ⇔ 170	R:100%-0 G: 100%-0 B: 100%
			171 ⇔ 200	RGBW: 100%
			201 ⇔ 205	White 1
			206 ⇔ 210	White 2
			211 ⇔ 215	White 3
			216 ⇔ 220	White 4
			221 ⇔ 225	White 5
			226 ⇔ 230	White 6
	231 ⇔ 235	White 7		
	236 ⇔ 240	White 8		
	241 ⇔ 245	White 9		
	246 ⇔ 251	White 10		
	251 ⇔ 255	White 11		
	12	Strobe	000 ⇔ 009	No function
			010 ⇔ 099	Slow to fast
			100 ⇔ 109	No function
			110 ⇔ 179	Lighting effect, slow to fast
			180 ⇔ 189	No function
			190 ⇔ 255	Random
	13	Programs	000 ⇔ 040	No function
			041 ⇔ 050	Auto 1
			051 ⇔ 060	Auto 2
			061 ⇔ 070	Auto 3
			071 ⇔ 080	Auto 4
			081 ⇔ 090	Auto 5
			091 ⇔ 100	Auto 6
			101 ⇔ 110	Auto 7
			111 ⇔ 120	Auto 8
			121 ⇔ 130	Auto 9
			131 ⇔ 140	Auto 10
			141 ⇔ 150	Custom 1
			151 ⇔ 160	Custom 2
			161 ⇔ 170	Custom 3
			171 ⇔ 180	Custom 4
			181 ⇔ 190	Custom 5
	191 ⇔ 200	Custom 6		
	201 ⇔ 210	Custom 7		
	211 ⇔ 220	Custom 8		
	221 ⇔ 230	Custom 9		
	231 ⇔ 255	Custom 10		
	14	Auto Speed	000 ⇔ 255	0-100%
	15	Zoom	000 ⇔ 255	0-100%

STD.Y	Channel	Function	Value	Percent/Setting
	16	Zoom Control	000 ⇄ 200	No function
			201 ⇄ 220	Zoom reset
	17	Dimmer Speed	221 ⇄ 255	No function
			000 ⇄ 009	Preset dimmer speed from display menu
			010 ⇄ 029	Linear dimmer
			030 ⇄ 069	Nonlinear dimming curve 1 (fastest)
			070 ⇄ 129	Nonlinear dimming curve 2
			130 ⇄ 189	Nonlinear dimming curve 3
			190 ⇄ 255	Nonlinear dimming curve 4 (slowest)
TR16	Channel	Function	Value	Percent/Setting
	1	Dimmer	000 ⇄ 255	0-100%
	2	Fine Dimmer	000 ⇄ 255	Fine control (16-bit) (Step Duration if Custom 1–10 in CH. 13 is active)
	3	Red	000 ⇄ 255	0–100% (Fade Duration if Custom 1–10 in CH. 13 is active)
	4	Fine Red	000 ⇄ 255	Fine control (16-bit)
	5	Green	000 ⇄ 255	0-100%
	6	Fine Green	000 ⇄ 255	Fine control (16-bit)
	7	Blue	000 ⇄ 255	0-100%
	8	Fine Blue	000 ⇄ 255	Fine control (16-bit)
	9	White	000 ⇄ 255	0-100%
	10	Fine White	000 ⇄ 255	Fine control (16-bit)
	11	Color Macro + White Balance	000 ⇄ 010	No function
			011 ⇄ 030	R:100% G: 0-100% B: 0
031 ⇄ 050			R:100%-0 G: 100% B: 0	
051 ⇄ 070			R:0 G: 100% B: 0-100%	
071 ⇄ 090			R:0 G: 100%-0 B: 100%	
091 ⇄ 110			R:0-100% G: 0 B: 100%	
111 ⇄ 130			R:100% G: 0 B: 100%-0	
131 ⇄ 150			R:100% G: 0-100% B: 0-100%	
151 ⇄ 170			R:100%-0 G: 100%-0 B: 100%	
171 ⇄ 200			RGBW: 100%	
201 ⇄ 205			White 1	
206 ⇄ 210			White 2	
211 ⇄ 215			White 3	
216 ⇄ 220			White 4	
221 ⇄ 225			White 5	
226 ⇄ 230			White 6	
231 ⇄ 235			White 7	
236 ⇄ 240	White 8			
241 ⇄ 245	White 9			
246 ⇄ 251	White 10			
251 ⇄ 255	White 11			
12	Strobe	000 ⇄ 009	No function	
		010 ⇄ 099	Slow to fast	
		100 ⇄ 109	No function	
		110 ⇄ 179	Lighting effect, slow to fast	
		180 ⇄ 189	No function	
		190 ⇄ 255	Random	

QUICK REFERENCE GUIDE



EN

TR16	Channel	Function	Value	Percent/Setting
13		Programs	000 ⇔ 040	No function
			041 ⇔ 050	Auto 1
			051 ⇔ 060	Auto 2
			061 ⇔ 070	Auto 3
			071 ⇔ 080	Auto 4
			081 ⇔ 090	Auto 5
			091 ⇔ 100	Auto 6
			101 ⇔ 110	Auto 7
			111 ⇔ 120	Auto 8
			121 ⇔ 130	Auto 9
			131 ⇔ 140	Auto 10
			141 ⇔ 150	Custom 1
			151 ⇔ 160	Custom 2
161 ⇔ 170	Custom 3			
171 ⇔ 180	Custom 4			
181 ⇔ 190	Custom 5			
191 ⇔ 200	Custom 6			
201 ⇔ 210	Custom 7			
211 ⇔ 220	Custom 8			
221 ⇔ 230	Custom 9			
231 ⇔ 255	Custom 10			
14	Auto Speed		000 ⇔ 255	0-100%
15	Zoom		000 ⇔ 255	0-100%
16	Zoom Control		000 ⇔ 200	No function
			201 ⇔ 220	Zoom reset
			221 ⇔ 255	No function
17	Dimmer Speed		000 ⇔ 009	Preset dimmer speed from display menu
			010 ⇔ 029	Linear dimmer
			030 ⇔ 069	Nonlinear dimming curve 1 (fastest)
			070 ⇔ 129	Nonlinear dimming curve 2
			130 ⇔ 189	Nonlinear dimming curve 3
			190 ⇔ 255	Nonlinear dimming curve 4 (slowest)
TOUR	Channel	Function	Value	Percent/Setting
	1	Dimmer	000 ⇔ 255	0-100%
	2	Red	000 ⇔ 255	0-100% (Step Duration if Custom 1–10 in CH. 8 is active)
	3	Green	000 ⇔ 255	0–100% (Fade Duration if Custom 1–10 in CH. 8 is active)
	4	Blue	000 ⇔ 255	0-100%
	5	White	000 ⇔ 255	0-100%
6	Color Macro + White Balance		000 ⇔ 010	No function
			011 ⇔ 030	R:100% G: 0-100% B: 0
			031 ⇔ 050	R:100%-0 G: 100% B: 0
			051 ⇔ 070	R:0 G: 100% B: 0-100%
			071 ⇔ 090	R:0 G: 100%-0 B: 100%
			091 ⇔ 110	R:0-100% G: 0 B: 100%
			111 ⇔ 130	R:100% G: 0 B: 100%-0
			131 ⇔ 150	R:100% G: 0-100% B: 0-100%
			151 ⇔ 170	R:100%-0 G: 100%-0 B: 100%
			171 ⇔ 200	RGBW: 100%
			201 ⇔ 205	White 1
			206 ⇔ 210	White 2
			211 ⇔ 215	White 3
			216 ⇔ 220	White 4
			221 ⇔ 225	White 5
			226 ⇔ 230	White 6
			231 ⇔ 235	White 7
			236 ⇔ 240	White 8
	241 ⇔ 245	White 9		
	246 ⇔ 251	White 10		
	251 ⇔ 255	White 11		

TOUR	Channel	Function	Value	Percent/Setting
	7	Strobe	000 ⇄ 009	No function
			010 ⇄ 099	Slow to fast
			100 ⇄ 109	No function
			110 ⇄ 179	Lighting effect, slow to fast
			180 ⇄ 189	No function
			190 ⇄ 255	Random
	8	Programs	000 ⇄ 040	No function
			041 ⇄ 050	Auto 1
			051 ⇄ 060	Auto 2
			061 ⇄ 070	Auto 3
			071 ⇄ 080	Auto 4
			081 ⇄ 090	Auto 5
091 ⇄ 100			Auto 6	
101 ⇄ 110			Auto 7	
111 ⇄ 120			Auto 8	
121 ⇄ 130			Auto 9	
131 ⇄ 140			Auto 10	
141 ⇄ 150			Custom 1	
151 ⇄ 160			Custom 2	
161 ⇄ 170			Custom 3	
171 ⇄ 180	Custom 4			
181 ⇄ 190	Custom 5			
191 ⇄ 200	Custom 6			
201 ⇄ 210	Custom 7			
211 ⇄ 220	Custom 8			
221 ⇄ 230	Custom 9			
231 ⇄ 255	Custom 10			
9	Auto Speed	000 ⇄ 255	0-100%	
10	Zoom	000 ⇄ 255	0-100%	
11	Zoom Control	000 ⇄ 200	No function	
		201 ⇄ 220	Zoom reset	
		221 ⇄ 255	No function	
12	Dimmer Speed	000 ⇄ 009	Preset dimmer speed from display menu	
		010 ⇄ 029	Linear dimmer	
		030 ⇄ 069	Nonlinear dimming curve 1 (fastest)	
		070 ⇄ 129	Nonlinear dimming curve 2	
		130 ⇄ 189	Nonlinear dimming curve 3	
190 ⇄ 255	Nonlinear dimming curve 4 (slowest)			
HSIC	Channel	Function	Value	Percent/Setting
	1	Dimmer	000 ⇄ 255	0-100%
	2	Hue	000 ⇄ 255	0-100%
	3	Hue Fine	000 ⇄ 255	0-100%
	4	Saturation	000 ⇄ 255	0-100%
	5	Color Macro + White Balance	000 ⇄ 010	No function
			011 ⇄ 030	R:100% G: 0-100% B: 0
			031 ⇄ 050	R:100%-0 G: 100% B: 0
			051 ⇄ 070	R:0 G: 100% B: 0-100%
			071 ⇄ 090	R:0 G: 100%-0 B: 100%
			091 ⇄ 110	R:0-100% G: 0 B: 100%
111 ⇄ 130			R:100% G: 0 B: 100%-0	
131 ⇄ 150	R:100% G: 0-100% B: 0-100%			
151 ⇄ 170	R:100%-0 G: 100%-0 B: 100%			
171 ⇄ 200	RGBW: 100%			

QUICK REFERENCE GUIDE



EN

HSIC	Channel	Function	Value	Percent/Setting
	5	Color Macro + White Balance	201 ⇔ 205	White 1
			206 ⇔ 210	White 2
			211 ⇔ 215	White 3
			216 ⇔ 220	White 4
			221 ⇔ 225	White 5
			226 ⇔ 230	White 6
			231 ⇔ 235	White 7
			236 ⇔ 240	White 8
			241 ⇔ 245	White 9
			246 ⇔ 251	White 10
			251 ⇔ 255	White 11
	6	Strobe	000 ⇔ 009	No function
			010 ⇔ 099	Slow to fast
			100 ⇔ 109	No function
			110 ⇔ 179	Lighting effect, slow to fast
180 ⇔ 189			No function	
7	Zoom	190 ⇔ 255	Random	
		000 ⇔ 255	0-100%	
8	Zoom Control	000 ⇔ 200	No function	
		201 ⇔ 220	Zoom reset	
		221 ⇔ 255	No function	
9	Dimmer Speed	000 ⇔ 009	Preset dimmer speed from display menu	
		010 ⇔ 029	Linear dimmer	
		030 ⇔ 069	Nonlinear dimming curve 1 (fastest)	
		070 ⇔ 129	Nonlinear dimming curve 2	
		130 ⇔ 189	Nonlinear dimming curve 3	
		190 ⇔ 255	Nonlinear dimming curve 4 (slowest)	
SSP	Channel	Function	Value	Percent/Setting
	1	Dimmer	000 ⇔ 255	0-100%
	2	Red	000 ⇔ 255	0-100%
	3	Green	000 ⇔ 255	0-100%
	4	Blue	000 ⇔ 255	0-100%
	5	White	000 ⇔ 255	0-100%
	6	Strobe	000 ⇔ 009	No function
			010 ⇔ 099	Slow to fast
			100 ⇔ 109	No function
			110 ⇔ 179	Lighting effect, slow to fast
			180 ⇔ 189	No function
	7	Zoom	190 ⇔ 255	Random
			000 ⇔ 255	0-100%
	8	Zoom Control	000 ⇔ 200	No function
			201 ⇔ 220	Zoom reset
			221 ⇔ 255	No function
9	Dimmer Speed	000 ⇔ 009	Preset dimmer speed from display menu	
		010 ⇔ 029	Linear dimmer	
		030 ⇔ 069	Nonlinear dimming curve 1 (fastest)	
		070 ⇔ 129	Nonlinear dimming curve 2	
		130 ⇔ 189	Nonlinear dimming curve 3	
		190 ⇔ 255	Nonlinear dimming curve 4 (slowest)	

Acerca de Esta Guía

La Guía de Referencia Rápida (GRR) del COLORado 3 Solo contiene información básica sobre el producto, como montaje, opciones de menú y valores DMX. Descargue el Manual de Usuario de www.chauvetprofessional.com para información más detallada.

Exención de Responsabilidad

La información y especificaciones contenidas en esta GRR están sujetas a cambio sin previo aviso.

Notas de Seguridad

- NO abra este producto. No contiene piezas reparables por el usuario.
- Para evitar un desgaste innecesario y alargar su vida útil, desconecte complemente el producto de la alimentación, mediante el interruptor o desenchufándolo, durante los periodos en los que no se use.
- NO mire a la fuente de luz cuando el producto esté encendido.
- CUIDADO: La carcasa de este producto está caliente cuando las luces están en funcionamiento.
- Monte este producto en una ubicación con ventilación adecuada, al menos a 20" (50 cm) de superficies adyacentes.
- NO deje ningún material inflamable a menos de 50 cm de este producto mientras esté funcionando o conectado a la alimentación.
- Cuidado: cuando transfiera el producto desde ambientes con temperatura extrema (p. ej., del remolque frío de un camión a una sala de baile con calor y humedad), puede formarse condensación en la electrónica interna del producto. Para evitar que se produzca una avería, deje que el producto se aclimate completamente al ambiente antes de conectar la alimentación.
- No apto para la instalación permanente en exteriores en lugares con condiciones ambientales extremas. Estas incluyen, sin limitarse a ellas:
 - Exposición a un ambiente marino/salino (a menos de 4,8 km de una masa de agua salada).
 - Cuando las temperaturas máxima o mínima habituales del lugar superan los rangos de temperatura en este manual.
 - Lugares proclives a inundaciones o a ser sepultados por la nieve.
 - Otras zonas en las que el producto esté expuesto a radiación extrema o sustancias cáusticas.
- USE un cable de seguridad cuando monte este producto en lo alto.
- NO sumerja este producto (IP65). La operación normal en exteriores es correcta.
- NO ponga en funcionamiento este producto si sospecha que la carcasa, lentes o cables están dañados.
- NO conecte este producto a un atenuador o reostato.
- Conecte este producto SOLO a un circuito con toma de tierra y protegido.
- Use SOLAMENTE los soportes de colgar/montar para mover este producto.
- En caso de un problema grave de funcionamiento, deje de usarlo inmediatamente.
- La máxima temperatura ambiente es de 113 °F (45 °C). No haga funcionar este producto a temperaturas más altas.

Contacto

Fuera de EE.UU, Reino Unido, Irlanda, México o Benelux, póngase en contacto con su distribuidor para solicitar asistencia o devolver el producto. Visite [Contact Us](#) para información de contacto.

Qué va Incluido

- Colorado 3 Solo
- Seetronic Powerkon IP65 cable de alimentación
- Tarjeta de Garantía
- Guía de Referencia Rápida

Corriente Alterna

Este producto tiene una fuente de alimentación con detección automática que puede funcionar con un rango de tensión de entrada de 100 a 240 VCA, 50/60 Hz.

Alimentación en Cadena

Puede enlazar hasta 8 productos COLORado 3 Solo a 120 V, o 15 a 230 V. Nunca sobrepase este número. Los cables de alimentación en cadena se pueden adquirir por separado

Enchufe CA

Conexión	Cable (EE.UU.)	Cable (Europa)	Color del tornillo
CA Cargado	Negro	Marrón	Amarillo/Latón
CA Neutro	Blanco	Azul	Plata
CA Tierra	Verde/Amarillo	Verde/Amarillo	Verde



- Para evitar un desgaste innecesario y alargar su vida útil, desconecte complemente el producto de la alimentación, mediante el interruptor o desenchufándolo, durante los periodos en los que no se use.
- Cuando utilice este producto en exteriores, use cables de datos y alimentación con protección IP65 (o superior). Asegúrese de proteger los puertos de datos y alimentación que no se usen colocando tapas IP65.

Enlace DMX

El COLORado 3 Solo funcionará con un controlador DMX usando una conexión serie DMX normal. Hay un manual DMX disponible en www.chauvetprofessional.com.

Conexión DMX

El COLORado 3 Solo usa una conexión de datos DMX normal para sus personalidades: **STD.Y**, **TOUR**, **TR16**, **SSP** y **HSIC**. Vea el Manual de Usuario para conectar y configurar para funcionamiento DMX.



Cuando utilice este producto en exteriores con ambiente tipo IP65, asegúrese de usar cables de datos con protección IP65 (o superior) y de proteger los puertos que no se usen colocando tapas IP65.



Nota: Para un control óptimo de los canales de atenuación de 16 bits en la personalidades TR16 y STD.Y asegúrese de que ambas curvas de atenuación en **SETTING > DIMMER** están configuradas en **OFF**.

Conexión Maestro/Esclavo

El COLORado 3 Solo usa la conexión de datos DMX para su modo Maestro/Esclavo. Vea el Manual de Usuario para conectar y configurar para funcionamiento Maestro/Esclavo.

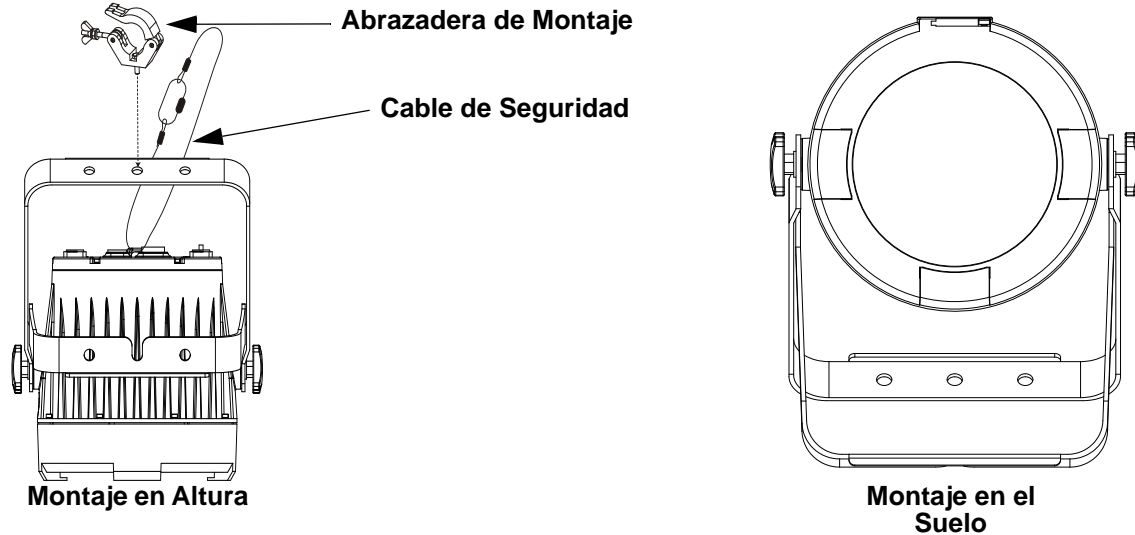
RDM (gestión remota del dispositivo)

Remote Device Management (gestión remota del dispositivo) o RDM, es un estándar que permite a los dispositivos con capacidad DMX una comunicación bidireccional por un cableado DMX existente. El COLORado 3 Solo admite protocolo RDM, que posibilita información para supervisar cambiar las opciones del mapa de menú. Descargue el manual de usuario de www.chauvetprofessional.com para una información más detallada.

Montaje

Antes de montar este producto, lea las [Notas de Seguridad](#). Asegúrese de que las abrazaderas de montaje son capaces de soportar el peso del producto. Para nuestra línea Chauvet de abrazaderas de montaje, visite <http://trusst.com/productcategory/truss-clamps/>

Diagrama de Montaje del Producto



Descripción del Panel de Control

Botón	Función
<MENU>	Sale del menú o función actual
<ENTER>	Habilita el menú actualmente en pantalla o configura el valor seleccionado actualmente dentro de la función seleccionada
<UP>	Navega hacia arriba por la lista de menú o aumenta el valor numérico cuando está en una función
<DOWN>	Navega hacia abajo por la lista de menú o disminuye el valor numérico cuando está en una función

Código de acceso

Después de que se le solicite, introduzca el siguiente código de acceso pulsando:

<UP>, <DOWN>, <UP>, <DOWN>, <ENTER>

Este código no se puede cambiar y se debe usar cuando se le solicite.

Mapa de Menú

Nivel Principal	Niveles de Programación		Descripción
STATIC	RED	0-255	Combina rojo, verde, azul y blanco para formar un color personalizado (0-100%)
	GREEN		
	BLUE		
	WHITE		
	ZOOM		
	STROBE		Cambia el ángulo del haz (zoom)
ADDRESS	001-512		Selecciona la frecuencia de estroboscopia (0-25 Hz)
AUTO PROGRAM	AUTO 1-10	SPEED 0-255	Selecciona la dirección DMX de inicio
	PROGRAM 1-10		10 programas automáticos
RUN MODE	DMX		10 programas personalizables
	SLAVE		Modo DMX
ZOOM MODE	ZOOM MODE 1		Modo Maestro/Esclavo
	ZOOM MODE 2		Operación normal
			Se recomienda su uso debajo de 40°F

QUICK REFERENCE GUIDE



ES

Nivel Principal	Niveles de Programación				Descripción
PERSONALITY	HSIC				9 canales: Control H/S/CCT, atenuador, estroboscopio, zoom, reinicio del zoom, velocidad atenuador
	SSP				9 canales: R/V/A/B, atenuador, estroboscopio, zoom, reinicio del zoom, velocidad atenuador
	TOUR				12 canales: RVAB, atenuador, estroboscopio, macro de color, auto/personalizado, velocidad atenuador, velocidad automática, zoom, reinicio del zoom
	TR16				17 canales: 16-bit RVAB y atenuador, estroboscopio, macro de color, auto/personalizado, velocidad atenuador, velocidad automática zoom, reinicio del zoom
	STD.Y				17 canales: 16-bit RVAB y atenuador, estroboscopio, macro de color, auto/personalizado, velocidad atenuador, velocidad automática zoom, reinicio del zoom
EDIT	PROGRAM 1-10	SCENE-01-30	RED	0-255	Combina rojo, verde, azul y blanco para generar un color personalizado (0–100%) Selecciona el ángulo del haz (zoom) Selecciona la frecuencia de estroboscopio (0–25 Hz) Define la duración del paso (lento a rápido) Define la duración del fado (lento a rápido)
			GREEN		
			BLUE		
			WHITE		
			ZOOM		
			STROBE		
			TIME		
FADE					
SETTING	**** (Introducir código de acceso)	UPLOAD	**** (Introducir código de acceso)	SEND	Carga programas personalizados a otros productos Colorado 3 Solos
		RESET	**** (Introducir código de acceso)		Restablece en el producto los valores de fábrica
		COLOR	OFF		RGB establecido en 255 = máx. potencia
			RGBW		RGB establecido en 255 = equilibrio de blancos
			UC		Equilibrio de color universal
		DIMMER	OFF		Curvas de atenuador rápido (Dimmer1) a lento (Dimmer3) o sin atenuador (Off)
			DIM1		
			DIM2		
			DIM3		
		DMX ERROR	SAVE		Continúa con el último comando tras la pérdida de control DMX
			BLACK		Apaga (blackout) el dispositivo tras la pérdida de señal DMX
		PWM	600HZ		Selecciona la frecuencia de emisión PWM
			1200HZ		
2000HZ					
2400HZ					
6000HZ					
18000HZ					
25000HZ					

Nivel Principal	Niveles de Programación				Descripción		
SETTING	**** (Introducir código de acceso)	FULL POWER CCT	Warm White		Establece la temperatura del color cuando todos los deslizadores están situados al 100%		
			Neutral White				
			Cool White#1				
			Cool White#2				
			NORMAL		Temperatura de color manual		
KEY	OFF				Activa o desactiva la contraseña		
	ON						
CALIB.C	**** (Introducir código de acceso)	WHITE-01-11	RED	0-255	Modifica los macros de color usados en las personalidades TOUR, HSIC, TR16 y STD.Y		
			GREEN				
			BLUE				
			WHITE				
		RGBW	R.			Define la temperatura de color usada cuando COLOR se configura como RGBW	
			G.				
		B.					
INFO	VERSION		V....		Muestra la versión de software instalada		
	RDM	UID				Muestra actual UID #
		LABEL		COLORADO 3 SOLO			Nombre de producto

Valores DMX

STD.Y	Canal	Función	Valor	Porcentaje/Configuración
	1	Atenuador	000 ⇔ 255	0-100%
	2	Atenuador fino	000 ⇔ 255	Nítido control (16-bit) (Duración del Paso si Personalizado 1-10 está activo en Canal 13)
	3	Rojo	000 ⇔ 255	0-100% (Duración del Fade si Personalizado 1-10 está activo en Canal 13)
	4	Rojo nítido	000 ⇔ 255	Nítido control (16-bit)
	5	Verde	000 ⇔ 255	0-100%
	6	Verde nítido	000 ⇔ 255	Nítido control (16-bit)
	7	Azul	000 ⇔ 255	0-100%
	8	Azul nítido	000 ⇔ 255	Nítido control (16-bit)
	9	Blanco	000 ⇔ 255	0-100%
	10	Blanco nítido	000 ⇔ 255	Nítido control (16-bit)
	11	Macro de Color + Equilibrio de Blancos	000 ⇔ 010	Sin función
			011 ⇔ 030	R:100% V: 0-100% A: 0
			031 ⇔ 050	R:100%-0 V: 100% A: 0
			051 ⇔ 070	R:0 V: 100% A: 0-100%
			071 ⇔ 090	R:0 V: 100%-0 A: 100%
			091 ⇔ 110	R:0-100% V: 0 A: 100%
			111 ⇔ 130	R:100% V: 0 A: 100%-0
			131 ⇔ 150	R:100% V: 0-100% A: 0-100%
			151 ⇔ 170	R:100%-0 V: 100%-0 A: 100%
			171 ⇔ 200	RVAB: 100%
			201 ⇔ 205	Blanco 1
			206 ⇔ 210	Blanco 2
			211 ⇔ 215	Blanco 3
			216 ⇔ 220	Blanco 4
			221 ⇔ 225	Blanco 5
			226 ⇔ 230	Blanco 6
			231 ⇔ 235	Blanco 7
	236 ⇔ 240	Blanco 8		
	241 ⇔ 245	Blanco 9		
	246 ⇔ 251	Blanco 10		
	251 ⇔ 255	Blanco 11		

QUICK REFERENCE GUIDE



ES

STD.Y	Canal	Función	Valor	Porcentaje/Configuración
	12	Estroboscopio	000 ⇔ 009	Sin función
			010 ⇔ 099	0–25 Hz
	13	Programas	100 ⇔ 109	Sin función
			110 ⇔ 179	Efecto de iluminación
	14	Velocidad Automática	180 ⇔ 189	Sin función
			190 ⇔ 255	Aleatorio
	15	Zoom	000 ⇔ 040	Sin función
			041 ⇔ 050	Auto 1
	16	Reinicio del Zoom	051 ⇔ 060	Auto 2
			061 ⇔ 070	Auto 3
	17	Velocidad Atenuador	071 ⇔ 080	Auto 4
			081 ⇔ 090	Auto 5
	18	Atenuación	091 ⇔ 100	Auto 6
			101 ⇔ 110	Auto 7
	19	Zoom	111 ⇔ 120	Auto 8
			121 ⇔ 130	Auto 9
	20	Zoom	131 ⇔ 140	Auto 10
			141 ⇔ 150	Personalizado 1
	21	Zoom	151 ⇔ 160	Personalizado 2
			161 ⇔ 170	Personalizado 3
	22	Zoom	171 ⇔ 180	Personalizado 4
			181 ⇔ 190	Personalizado 5
	23	Zoom	191 ⇔ 200	Personalizado 6
			201 ⇔ 210	Personalizado 7
	24	Zoom	211 ⇔ 220	Personalizado 8
			221 ⇔ 230	Personalizado 9
	25	Zoom	231 ⇔ 255	Personalizado 10
TR16	1	Atenuador	000 ⇔ 255	0-100%
TR16	2	Atenuador fino	000 ⇔ 255	Nítido control (16-bit) (Duración del Paso si Personalizado 1–10 está activo en Canal 13)
TR16	3	Rojo	000 ⇔ 255	0–100% (Duración del Fade si Personalizado 1–10 está activo en Canal 13)
TR16	4	Rojo nítido	000 ⇔ 255	Nítido control (16-bit)
TR16	5	Verde	000 ⇔ 255	0-100%
TR16	6	Verde nítido	000 ⇔ 255	Nítido control (16-bit)
TR16	7	Azul	000 ⇔ 255	0-100%
TR16	8	Azul nítido	000 ⇔ 255	Nítido control (16-bit)
TR16	9	Blanco	000 ⇔ 255	0-100%
TR16	10	Blanco nítido	000 ⇔ 255	Nítido control (16-bit)

TR16	Canal	Función	Valor	Porcentaje/Configuración
11	Macro de Color + Equilibrio de Blancos	000 ⇄ 010	Sin función	
		011 ⇄ 030	R:100% V: 0-100% A: 0	
		031 ⇄ 050	R:100%-0 V: 100% A: 0	
		051 ⇄ 070	R:0 V: 100% A: 0-100%	
		071 ⇄ 090	R:0 V: 100%-0 A: 100%	
		091 ⇄ 110	R:0-100% V: 0 A: 100%	
		111 ⇄ 130	R:100% V: 0 A: 100%-0	
		131 ⇄ 150	R:100% V: 0-100% A: 0-100%	
		151 ⇄ 170	R:100%-0 V: 100%-0 A: 100%	
		171 ⇄ 200	RVAB: 100%	
		201 ⇄ 205	Blanco 1	
206 ⇄ 210	Blanco 2			
211 ⇄ 215	Blanco 3			
216 ⇄ 220	Blanco 4			
221 ⇄ 225	Blanco 5			
226 ⇄ 230	Blanco 6			
231 ⇄ 235	Blanco 7			
236 ⇄ 240	Blanco 8			
241 ⇄ 245	Blanco 9			
246 ⇄ 251	Blanco 10			
251 ⇄ 255	Blanco 11			
12	Estroboscopio	000 ⇄ 009	Sin función	
		010 ⇄ 099	0-25 Hz	
		100 ⇄ 109	Sin función	
		110 ⇄ 179	Efecto de iluminación	
		180 ⇄ 189	Sin función	
190 ⇄ 255	Aleatorio			
13	Programas	000 ⇄ 040	Sin función	
		041 ⇄ 050	Auto 1	
		051 ⇄ 060	Auto 2	
		061 ⇄ 070	Auto 3	
		071 ⇄ 080	Auto 4	
		081 ⇄ 090	Auto 5	
		091 ⇄ 100	Auto 6	
		101 ⇄ 110	Auto 7	
		111 ⇄ 120	Auto 8	
		121 ⇄ 130	Auto 9	
		131 ⇄ 140	Auto 10	
		141 ⇄ 150	Personalizado 1	
		151 ⇄ 160	Personalizado 2	
		161 ⇄ 170	Personalizado 3	
		171 ⇄ 180	Personalizado 4	
		181 ⇄ 190	Personalizado 5	
		191 ⇄ 200	Personalizado 6	
201 ⇄ 210	Personalizado 7			
211 ⇄ 220	Personalizado 8			
221 ⇄ 230	Personalizado 9			
231 ⇄ 255	Personalizado 10			
14	Velocidad Automática	000 ⇄ 255	0-100%	
15	Zoom	000 ⇄ 255	0-100%	
16	Reinicio del Zoom	000 ⇄ 200	Sin función	
		201 ⇄ 220	Reinicio del zoom	
		221 ⇄ 255	Sin función	
17	Velocidad Atenuador	000 ⇄ 009	Preconfigura la velocidad del atenuador desde la pantalla de menú	
		010 ⇄ 029	Atenuador lineal	
		030 ⇄ 069	Curva de atenuación no-lineal 1 (la más rápida)	
		070 ⇄ 129	Curva de atenuación no-lineal 2	
		130 ⇄ 189	Curva de atenuación no-lineal 3	
190 ⇄ 255	Curva de atenuación no-lineal 4 (la más lenta)			

QUICK REFERENCE GUIDE



ES

TOUR	Canal	Función	Valor	Porcentaje/Configuración
	1	Atenuador	000 ⇔ 255	0-100%
	2	Rojo	000 ⇔ 255	0-100% (Duración del Paso si Personalizado 1-10 está activo en Canal 8)
	3	Verde	000 ⇔ 255	0-100% (Duración del Fade si Personalizado 1-10 está activo en Canal 8)
	4	Azul	000 ⇔ 255	0-100%
	5	Blanco	000 ⇔ 255	0-100%
	6	Macro de Color + Equilibrio de Blancos	000 ⇔ 010 011 ⇔ 030 031 ⇔ 050 051 ⇔ 070 071 ⇔ 090 091 ⇔ 110 111 ⇔ 130 131 ⇔ 150 151 ⇔ 170 171 ⇔ 200 201 ⇔ 205 206 ⇔ 210 211 ⇔ 215 216 ⇔ 220 221 ⇔ 225 226 ⇔ 230 231 ⇔ 235 236 ⇔ 240 241 ⇔ 245 246 ⇔ 251 251 ⇔ 255	Sin función R:100% V: 0-100% A: 0 R:100%-0 V: 100% A: 0 R:0 V: 100% A: 0-100% R:0 V: 100%-0 A: 100% R:0-100% V: 0 A: 100% R:100% V: 0 A: 100%-0 R:100% V: 0-100% A: 0-100% R:100%-0 V: 100%-0 A: 100% RVAB: 100% Blanco 1 Blanco 2 Blanco 3 Blanco 4 Blanco 5 Blanco 6 Blanco 7 Blanco 8 Blanco 9 Blanco 10 Blanco 11
	7	Estroboscopio	000 ⇔ 009 010 ⇔ 099 100 ⇔ 109 110 ⇔ 179 180 ⇔ 189 190 ⇔ 255	Sin función 0-25 Hz Sin función Efecto de iluminación Sin función Aleatorio
	8	Programas	000 ⇔ 040 041 ⇔ 050 051 ⇔ 060 061 ⇔ 070 071 ⇔ 080 081 ⇔ 090 091 ⇔ 100 101 ⇔ 110 111 ⇔ 120 121 ⇔ 130 131 ⇔ 140 141 ⇔ 150 151 ⇔ 160 161 ⇔ 170 171 ⇔ 180 181 ⇔ 190 191 ⇔ 200 201 ⇔ 210 211 ⇔ 220 221 ⇔ 230 231 ⇔ 255	Sin función Auto 1 Auto 2 Auto 3 Auto 4 Auto 5 Auto 6 Auto 7 Auto 8 Auto 9 Auto 10 Personalizado 1 Personalizado 2 Personalizado 3 Personalizado 4 Personalizado 5 Personalizado 6 Personalizado 7 Personalizado 8 Personalizado 9 Personalizado 10
	9	Velocidad Automática	000 ⇔ 255	0-100%
	10	Zoom	000 ⇔ 255	0-100%
	11	Reinicio del Zoom	000 ⇔ 200 201 ⇔ 220 221 ⇔ 255	Sin función Reinicio del zoom Sin función

TOUR	Canal	Función	Valor	Porcentaje/Configuración
	12	Velocidad Atenuador	000 ⇄ 009 010 ⇄ 029 030 ⇄ 069 070 ⇄ 129 130 ⇄ 189 190 ⇄ 255	Preconfigura la velocidad del atenuador desde la pantalla de menú Atenuador lineal Curva de atenuación no-lineal 1 (la más rápida) Curva de atenuación no-lineal 2 Curva de atenuación no-lineal 3 Curva de atenuación no-lineal 4 (la más lenta)
SSP	Canal	Función	Valor	Porcentaje/Configuración
	1	Atenuador	000 ⇄ 255	0-100%
	2	Rojo	000 ⇄ 255	0-100%
	3	Verde	000 ⇄ 255	0-100%
	4	Azul	000 ⇄ 255	0-100%
	5	Blanco	000 ⇄ 255	0-100%
	6	Estroboscopio	000 ⇄ 009 010 ⇄ 099 100 ⇄ 109 110 ⇄ 179 180 ⇄ 189 190 ⇄ 255	Sin función 0-25 Hz Sin función Efecto de iluminación Sin función Aleatorio
	7	Zoom	000 ⇄ 255	0-100%
	8	Reinicio del Zoom	000 ⇄ 200 201 ⇄ 220 221 ⇄ 255	Sin función Reinicio del zoom Sin función
	9	Velocidad Atenuador	000 ⇄ 009 010 ⇄ 029 030 ⇄ 069 070 ⇄ 129 130 ⇄ 189 190 ⇄ 255	Preconfigura la velocidad del atenuador desde la pantalla de menú Atenuador lineal Curva de atenuación no-lineal 1 (la más rápida) Curva de atenuación no-lineal 2 Curva de atenuación no-lineal 3 Curva de atenuación no-lineal 4 (la más lenta)
HSIC	Canal	Función	Valor	Porcentaje/Configuración
	1	Atenuador	000 ⇄ 255	0-100%
	2	Tono	000 ⇄ 255	0-100%
	3	Tono Fino	000 ⇄ 255	0-100%
	4	Saturación	000 ⇄ 255	0-100%
	5	Macro de Color + Equilibrio de Blancos	000 ⇄ 010 011 ⇄ 030 031 ⇄ 050 051 ⇄ 070 071 ⇄ 090 091 ⇄ 110 111 ⇄ 130 131 ⇄ 150 151 ⇄ 170 171 ⇄ 200 201 ⇄ 205 206 ⇄ 210 211 ⇄ 215 216 ⇄ 220 221 ⇄ 225 226 ⇄ 230 231 ⇄ 235 236 ⇄ 240 241 ⇄ 245 246 ⇄ 251 251 ⇄ 255	Sin función R:100% V: 0-100% A: 0 R:100%-0 V: 100% A: 0 R:0 V: 100% A: 0-100% R:0 V: 100%-0 A: 100% R:0-100% V: 0 A: 100% R:100% V: 0 A: 100%-0 R:100% V: 0-100% A: 0-100% R:100%-0 V: 100%-0 A: 100% RVAB: 100% Blanco 1 Blanco 2 Blanco 3 Blanco 4 Blanco 5 Blanco 6 Blanco 7 Blanco 8 Blanco 9 Blanco 10 Blanco 11

QUICK REFERENCE GUIDE



ES

HSIC	Canal	Función	Valor	Porcentaje/Configuración
	6	Estroboscopio	000 ⇔ 009	Sin función
			010 ⇔ 099	0-25 Hz
			100 ⇔ 109	Sin función
			110 ⇔ 179	Efecto de iluminación
			180 ⇔ 189	Sin función
			190 ⇔ 255	Aleatorio
	7	Zoom	000 ⇔ 255	0-100%
	8	Reinicio del Zoom	000 ⇔ 200	Sin función
			201 ⇔ 220	Reinicio del zoom
			221 ⇔ 255	Sin función
	9	Velocidad Atenuador	000 ⇔ 009	Preconfigura la velocidad del atenuador desde la pantalla de menú
			010 ⇔ 029	Atenuador lineal
030 ⇔ 069			Curva de atenuación no-lineal 1 (la más rápida)	
070 ⇔ 129			Curva de atenuación no-lineal 2	
130 ⇔ 189			Curva de atenuación no-lineal 3	
190 ⇔ 255			Curva de atenuación no-lineal 4 (la más lenta)	

À Propos de ce Manuel

Le Manuel de Référence du COLORado 1 Solo (MR) reprend des informations de base sur cet appareil notamment en matière de connexions, montage, options de menu et valeurs DMX. Télécharger le Manuel d'Utilisation sur www.chauvetprofessional.com pour de plus amples informations.

Clause de Non-Responsabilité

Les informations et caractéristiques contenues dans ce manuel sont sujettes à changement sans préavis.

Consignes de Sécurité

- N'ouvrez PAS cet appareil. Il ne contient aucun composant susceptible d'être réparé par l'utilisateur.
- Durant les périodes de non-utilisation, pour éviter toute usure inutile et pour prolonger la durée de vie, déconnectez entièrement l'appareil en le débranchant de l'alimentation électrique ou en coupant le disjoncteur.
- Ne regardez PAS la source lumineuse lorsque l'appareil fonctionne.
- ATTENTION: le boîtier de cet appareil est brûlant lors du fonctionnement.
- Montez toujours cet appareil dans un endroit bien ventilé, à au moins, 20 pouces (50 cm) des surfaces adjacentes.
- Ne laissez AUCUNE source inflammable dans un rayon de 50 cm de l'appareil lorsque celui-ci fonctionne.
- Attention : Lorsque l'appareil est transféré d'un environnement à température extrême à un autre (par exemple d'un camion froid vers une salle de bal chaude et humide), de la condensation peut se former sur les composants électriques internes. Pour éviter de causer des dommages, laissez l'appareil s'acclimater entièrement au milieu environnant avant de le mettre sous tension.
- Ne convient pas aux installations permanentes en extérieur sur des sites sujets à des conditions environnementales extrêmes. Cela inclut par exemple :
 - L'exposition à un environnement marin ou à une solution saline (à moins de 4,8 kilomètres d'un corps d'eau salée).
 - Lorsque les températures moyennes hautes ou basses du site dépassent les plages de températures indiquées dans ce manuel.
 - Les sites qui sont sujets aux inondations ou qui présentent un risque d'être ensevelis sous la neige.
 - Tout autre endroit où le produit risque d'être soumis à des rayonnements extrêmes ou à des substances caustiques.
- Utilisez TOUJOURS un câble de sécurité lorsque vous montez cet appareil en hauteur.
- N'immergez PAS ce produit (IP 65). Un usage normal en extérieur est autorisé.
- N'utilisez PAS cet appareil si le boîtier, les lentilles ou les câbles vous semblent endommagés.
- Ne connectez PAS cet appareil ni à un gradateur ni à un rhéostat.
- Connectez UNIQUEMENT cet appareil à un circuit protégé et relié à la terre.
- Transportez/Suspendez cet appareil UNIQUEMENT par le support de montage dont il est doté.
- En cas de sérieux problèmes de fonctionnement, arrêtez le système immédiatement.
- La température ambiante maximale supportée par cet appareil est de 113 °F (45 °C). Ne le faites pas fonctionner à des températures plus élevées.

Contact

En dehors des États-Unis, du Royaume-Uni, de l'Irlande, du Mexique, et du Benelux, contactez votre fournisseur si vous avez besoin d'assistance ou de retourner votre appareil. Consultez le site [Contact Us](#) pour trouver nos coordonnées.

Ce Qui est Inclus

- Colorado 3 Solo
- Seetronic Powerkon IP65 cordon d'alimentation
- Fiche de Garantie
- Manuel de Référence

Alimentation CA

Cet appareil est doté d'une alimentation universelle prenant en charge toute tension d'entrée comprise entre 100 et 240 VCA, 50/60 Hz.

Connexion Électrique

Vous pouvez connecter entre eux jusqu'à 8 COLORado 3 Solo à 120 V, ou 15 unités à 230 V. Ne dépassez jamais cette limite. Vous pouvez vous procurer séparément des cordons d'alimentation.

Prise CA

Connexion	Câble (États-Unis)	Câble (Europe)	Couleur de la vis
Conducteur CA	Noir	Marron	Jaune/Cuivré
Neutre CA	Blanc	Bleu	Argenté
Terre CA	Vert/Jaune	Vert/Jaune	Vert



- **Durant les périodes de non-utilisation, pour éviter tout usure inutile et pour prolonger la durée de vie, déconnectez-entièrement l'appareil en le débranchant de l'alimentation électrique ou en coupant le disjoncteur.**
- **Lors de l'utilisation de cet appareil en environnement extérieur, utilisez des câbles de d'alimentation et de données certifiés IP65 au minimum. Assurez-vous de protéger les ports d'alimentation et de données non utilisés avec les couvercles IP 65 fournis.**

Raccordement DMX

Le COLORado 3 Solo fonctionnera avec un jeu d'orgues DMX au moyen de connexions DMX en série standard. Une introduction au DMX est à votre disposition sur www.chauvetprofessional.com.

Connexion DMX

Le COLORado 1 Solo utilise une connexion de données DMX standard pour ses personnalités DMX: **STD.Y, TOUR, TR16, SSP** et **HSIC**. Consultez le Manuel d'Utilisation pour connecter et configurer le système DMX..



Lors de l'utilisation de cet appareil dans un environnement extérieur de type IP65, assurez-vous d'utiliser des câbles certifiés IP65 (ou mieux) et de protéger les ports non utilisés avec les couvercles IP65 inclus.



Remarque : Pour une commande optimale des canaux de gradation 16 bits dans les personnalités STD.Y et TR16, veillez à ce que les deux courbes de gradation dans SETTING > DIMMER soient sur OFF.

Connexion Maître/ Esclave

Le COLORado 3 Solo utilise une connexion de données DMX pour son mode Maître/Esclave. Consultez le Manuel d'Utilisation pour connecter et configurer le mode de fonctionnement Maître/Esclave.

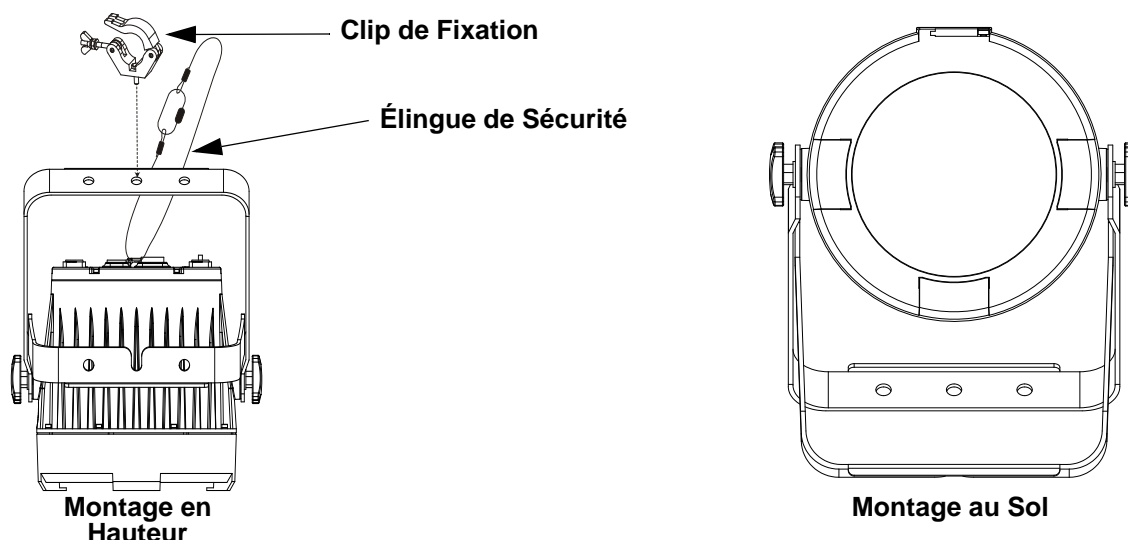
RDM (Gestion des périphériques à distance)

Le protocole RDM (gestion des périphériques à distance) est un standard pour la communication bidirectionnelle des appareils dotés de fonctions DMX dans un câblage DMX existant. Le Colorado 3 Solo supporte le protocole RDM permettant un retour d'information pour la surveillance et des changements des options de menu. Veuillez télécharger le manuel de l'utilisateur à partir du site internet www.chauvetprofessional.com pour plus de détails.

Installation

Avant de monter cet appareil, lisez et assimilez les [Consignes de Sécurité](#). Use at least one mounting point per product. Make sure the mounting clamps are capable of supporting the weight of the product. For our Chauvet line of mounting clamps, go to <http://trusst.com/productcategory/truss-clamps/>

Schéma de Montage de l'Appareil



Description du Tableau de Commandes

Bouton	Fonction
<MENU>	Permet la sortie du menu ou de la fonction en cours
<ENTER>	Permet l'affichage du menu en cours ou permet de configurer la valeur en cours dans la fonction sélectionnée
<UP>	Permet de parcourir les listes ou les menus vers le haut, dans une fonction permet d'augmenter les valeurs numériques
<DOWN>	Permet de parcourir les listes ou les menus vers le bas, dans une fonction permet de diminuer les valeurs numériques

Code d'accès

Une fois affiché, saisissez le code d'accès suivant comme suit:

<UP>, <DOWN>, <UP>, <DOWN>, <ENTER>

Ce code ne peut pas être modifié et doit être saisi sur demande.

Tableau de Menu

Niveau Principal	Niveaux de Programmation		Description
STATIC	RED	0-255	Combine les couleurs rouge, vert, bleu et blanc pour un résultat personnalisé (0-100%)
	GREEN		
	BLUE		
	WHITE		
	ZOOM		
	STROBE		Change l'angle du faisceau (zoom)
ADDRESS	001-512		Sélectionne l'adresse DMX de départ
AUTO PROGRAM	AUTO 1-10	SPEED 0-255	10 programmes automatiques
	PROGRAM 1-10		10 programmes - personnaliser
RUN MODE	DMX		Mode DMX
	SLAVE		Mode maître/esclave
ZOOM MODE	ZOOM MODE 1		Fonctionnement normal
	ZOOM MODE 2		Recommandé pour une utilisation inférieure à 40 ° F
PERSONALITY	HSIC		9 canaux: H/S/CCT, gradateur, stroboscope, vitesse gradateur, zoom, réinit. du zoom
	SSP		9 canaux: RVBb, gradateur, stroboscope, vitesse gradateur, zoom, réinit. du zoom
	TOUR		12 canaux: RVBb, gradateur, stroboscope, macro de couleurs, effet d'anneau, vitesse gradateur, vitesse auto, zoom, réinit. du zoom
	TR16		17 canaux: RVBb 16 bit, gradateur, stroboscope, macro de couleurs, effet d'anneau, vitesse gradateur, vitesse auto, zoom, réinit. du zoom
	STD.Y		17 canaux: RVBb 16 bit, gradateur, stroboscope, macro de couleurs, effet d'anneau, vitesse gradateur, vitesse auto, zoom, réinit. du zoom

QUICK REFERENCE GUIDE



FR

Niveau Principal	Niveaux de Programmation				Description	
EDIT	PROGRAM 1-10	SCENE-01-30	RED	0-255	Combine les couleurs rouge, vert, bleu et blanc pour un résultat personnalisé (0–100%)	
			GREEN			
			BLUE			
			WHITE			
			ZOOM			Change l'angle du faisceau (zoom)
			STROBE			Sélectionne la fréquence du stroboscope (0–25 Hz)
			TIME			Définit la durée de pas (lent à rapide)
			FADE		Définit la durée du fondu (lent à rapide)	
SETTING	**** (Saisir le code d'accès)	UPLOAD	**** (Saisir le code d'accès)	SEND	Télécharge les programmes personnalisés sur d'autres COLORado 3 Solo	
		RESET	**** (Saisir le code d'accès)		Retour aux réglages d'usine par défaut	
		COLOR	OFF		RVB configuré sur 255 = sortie max.	
			RGBW		RVB configuré sur 255 = balance des blancs	
			UC		Balance des couleurs universelle	
		DIMMER	OFF		Courbes de gradation rapide (Dimmer1) à lent (Dimmer3) ou pas de gradateur (Off)	
			DIM1			
			DIM2			
			DIM3			
		DMX ERROR	SAVE		En cas de perte de commande DMX, la dernière commande se maintiendra	
			BLACK		Met l'unité en noir général en cas de perte de signal DMX	
		PWM	600HZ		Permet de sélectionner la fréquence de sortie MLI,	
			1200HZ			
			2000HZ			
			2400HZ			
			6000HZ			
			18000HZ			
FULL POWER CCT	Warm White		Définit la température de couleur lorsque tous les potentiomètres de couleur sont réglés sur 100%.			
	Neutral White					
	Cool White#1					
	Cool White#2					
		NORMAL	Réglage manuel de température de couleur			
KEY		OFF ON		Active ou désactive le mot de passe		
CALIB.C	**** (Saisir le code d'accès)	WHITE-01-11	RED	0-255	Modifie les couleurs des macros utilisées dans les personnalités TOUR, HSIC, TR16, et STD.Y	
			GREEN			
			BLUE			
			WHITE			
		RGBW	R. G. B.		Définit la température de la couleur utilisée quand COLOR est configuré sur RGBW	
INFO	VERSION		V....		Affiche la version du logiciel installée.	
	RDM	UID		Affiche UID actuel #	
		LABEL		COLORADO 3 SOLO		Nom produit

Valeurs DMX

STD.Y	Canal	Fonction	Valeur	Pourcentage/Configuration
	1	Gradateur	000 ⇔ 255	0-100%
	2	Gradateur fin	000 ⇔ 255	0-100% (Durée de Pas si Personnalisé 1-10 est activé dans Canal 13)
	3	Rouge	000 ⇔ 255	0-100% (Durée du Fond si Personnalisé 1-10 est activé dans Canal 13)
	4	Rouge fin	000 ⇔ 255	0-100%
	5	Vert	000 ⇔ 255	0-100%
	6	Vert fin	000 ⇔ 255	0-100%
	7	Bleu	000 ⇔ 255	0-100%
	8	Bleu fin	000 ⇔ 255	0-100%
	9	Blanc	000 ⇔ 255	0-100%
	10	Blanc fin	000 ⇔ 255	0-100%
	11	Macros de Couleurs + Balance des Blancs	000 ⇔ 010 011 ⇔ 030 031 ⇔ 050 051 ⇔ 070 071 ⇔ 090 091 ⇔ 110 111 ⇔ 130 131 ⇔ 150 151 ⇔ 170 171 ⇔ 200 201 ⇔ 205 206 ⇔ 210 211 ⇔ 215 216 ⇔ 220 221 ⇔ 225 226 ⇔ 230 231 ⇔ 235 236 ⇔ 240 241 ⇔ 245 246 ⇔ 251 251 ⇔ 255	Pas de fonction R:100% V: 0-100% B: 0 R:100%-0 V: 100% B: 0 R:0 V: 100% B: 0-100% R:0 V: 100%-0 B: 100% R:0-100% V: 0 B: 100% R:100% V: 0 B: 100%-0 R:100% V: 0-100% B: 0-100% R:100%-0 V: 100%-0 B: 100% RVBb: 100% Blanc 1 Blanc 2 Blanc 3 Blanc 4 Blanc 5 Blanc 6 Blanc 7 Blanc 8 Blanc 9 Blanc 10 Blanc 11
	12	Stroboscope	000 ⇔ 009 010 ⇔ 099 100 ⇔ 109 110 ⇔ 179 180 ⇔ 189 190 ⇔ 255	Pas de fonction 0-25 Hz Pas de fonction Effet d'éclairage Pas de fonction Aléatoire
	13	Programmes	000 ⇔ 040 041 ⇔ 050 051 ⇔ 060 061 ⇔ 070 071 ⇔ 080 081 ⇔ 090 091 ⇔ 100 101 ⇔ 110 111 ⇔ 120 121 ⇔ 130 131 ⇔ 140 141 ⇔ 150 151 ⇔ 160 161 ⇔ 170 171 ⇔ 180 181 ⇔ 190 191 ⇔ 200 201 ⇔ 210 211 ⇔ 220 221 ⇔ 230 231 ⇔ 255	Pas de fonction Auto 1 Auto 2 Auto 3 Auto 4 Auto 5 Auto 6 Auto 7 Auto 8 Auto 9 Auto 10 Personnalisé 1 Personnalisé 2 Personnalisé 3 Personnalisé 4 Personnalisé 5 Personnalisé 6 Personnalisé 7 Personnalisé 8 Personnalisé 9 Personnalisé 10

QUICK REFERENCE GUIDE



FR

STD.Y	Cana	Fonction	Valeur	Pourcentage/Configuration
	14	Vitesse Auto	000 ⇔ 255	0-100%
	15	Zoom	000 ⇔ 255	0-100%
	16	Réinitialisation du Zoom	000 ⇔ 200	Pas de fonction
			201 ⇔ 220	Réinitialisation du zoom
221 ⇔ 255			Pas de fonction	
17	Vitesse du Gradateur	000 ⇔ 009	Vitesse du gradateur prédéfinie depuis le menu	
		010 ⇔ 029	Gradateur linéaire	
		030 ⇔ 069	Courbe de gradation non linéaire 1 (la plus rapide)	
		070 ⇔ 129	Courbe de gradation non linéaire 2	
		130 ⇔ 189	Courbe de gradation non linéaire 3	
		190 ⇔ 255	Courbe de gradation non linéaire 4 (la moins rapide)	
TR16	Cana	Fonction	Valeur	Pourcentage/Configuration
	1	Gradateur	000 ⇔ 255	0-100%
	2	Gradateur fin	000 ⇔ 255	0-100% (Durée de Pas si Personnalisé 1-10 est activé dans Canal 13)
	3	Rouge	000 ⇔ 255	0-100% (Durée du Fond si Personnalisé 1-10 est activé dans Canal 13)
	4	Rouge fin	000 ⇔ 255	0-100%
	5	Vert	000 ⇔ 255	0-100%
	6	Vert fin	000 ⇔ 255	0-100%
	7	Bleu	000 ⇔ 255	0-100%
	8	Bleu fin	000 ⇔ 255	0-100%
	9	Blanc	000 ⇔ 255	0-100%
	10	Blanc fin	000 ⇔ 255	0-100%
	11	Macros de Couleurs + Balance des Blancs	000 ⇔ 010	Pas de fonction
011 ⇔ 030			R:100% V: 0-100% B: 0	
031 ⇔ 050			R:100%-0 V: 100% B: 0	
051 ⇔ 070			R:0 V: 100% B: 0-100%	
071 ⇔ 090			R:0 V: 100%-0 B: 100%	
091 ⇔ 110			R:0-100% V: 0 B: 100%	
111 ⇔ 130			R:100% V: 0 B: 100%-0	
131 ⇔ 150			R:100% V: 0-100% B: 0-100%	
151 ⇔ 170			R:100%-0 V: 100%-0 B: 100%	
171 ⇔ 200			RVBb: 100%	
201 ⇔ 205			Blanc 1	
206 ⇔ 210			Blanc 2	
211 ⇔ 215			Blanc 3	
216 ⇔ 220			Blanc 4	
221 ⇔ 225			Blanc 5	
226 ⇔ 230			Blanc 6	
231 ⇔ 235			Blanc 7	
236 ⇔ 240			Blanc 8	
241 ⇔ 245			Blanc 9	
246 ⇔ 251			Blanc 10	
251 ⇔ 255	Blanc 11			

TR16	Cana	Fonction	Valeur	Pourcentage/Configuration
	12	Stroboscope	000 ⇄ 009	Pas de fonction
			010 ⇄ 099	0–25 Hz
			100 ⇄ 109	Pas de fonction
			110 ⇄ 179	Effet d'éclairage
			180 ⇄ 189	Pas de fonction
			190 ⇄ 255	Aléatoire
				13
041 ⇄ 050	Auto 1			
051 ⇄ 060	Auto 2			
061 ⇄ 070	Auto 3			
071 ⇄ 080	Auto 4			
081 ⇄ 090	Auto 5			
091 ⇄ 100	Auto 6			
101 ⇄ 110	Auto 7			
111 ⇄ 120	Auto 8			
121 ⇄ 130	Auto 9			
131 ⇄ 140	Auto 10			
141 ⇄ 150	Personnalisé 1			
151 ⇄ 160	Personnalisé 2			
161 ⇄ 170	Personnalisé 3			
171 ⇄ 180	Personnalisé 4			
181 ⇄ 190	Personnalisé 5			
191 ⇄ 200	Personnalisé 6			
201 ⇄ 210	Personnalisé 7			
211 ⇄ 220	Personnalisé 8			
221 ⇄ 230	Personnalisé 9			
231 ⇄ 255	Personnalisé 10			
14	Vitesse Auto	000 ⇄ 255	0-100%	
15	Zoom	000 ⇄ 255	0-100%	
16	Réinitialisation du Zoom	000 ⇄ 200	Pas de fonction	
		201 ⇄ 220	Réinitialisation du zoom	
		221 ⇄ 255	Pas de fonction	
17	Vitesse du Gradateur	000 ⇄ 009	Vitesse du gradateur prédéfinie depuis le menu	
		010 ⇄ 029	Gradateur linéaire	
		030 ⇄ 069	Courbe de gradation non linéaire 1 (la plus rapide)	
		070 ⇄ 129	Courbe de gradation non linéaire 2	
		130 ⇄ 189	Courbe de gradation non linéaire 3	
		190 ⇄ 255	Courbe de gradation non linéaire 4 (la moins rapide)	

QUICK REFERENCE GUIDE



FR

TOUR	Cana	Fonction	Valeur	Pourcentage/Configuration
	1	Gradateur	000 ⇔ 255	0-100%
	2	Rouge	000 ⇔ 255	0-100% (Durée de Pas si Personnalisé 1-10 est activé dans Canal 8)
	3	Vert	000 ⇔ 255	0-100% (Durée du Fond si Personnalisé 1-10 est activé dans Canal 8)
	4	Bleu	000 ⇔ 255	0-100%
	5	Blanc	000 ⇔ 255	0-100%
	6	Macros de Couleurs + Balance des Blancs	000 ⇔ 010 011 ⇔ 030 031 ⇔ 050 051 ⇔ 070 071 ⇔ 090 091 ⇔ 110 111 ⇔ 130 131 ⇔ 150 151 ⇔ 170 171 ⇔ 200 201 ⇔ 205 206 ⇔ 210 211 ⇔ 215 216 ⇔ 220 221 ⇔ 225 226 ⇔ 230 231 ⇔ 235 236 ⇔ 240 241 ⇔ 245 246 ⇔ 251 251 ⇔ 255	Pas de fonction R:100% V: 0-100% B: 0 R:100%-0 V: 100% B: 0 R:0 V: 100% B: 0-100% R:0 V: 100%-0 B: 100% R:0-100% V: 0 B: 100% R:100% V: 0 B: 100%-0 R:100% V: 0-100% B: 0-100% R:100%-0 V: 100%-0 B: 100% RVBb: 100% Blanc 1 Blanc 2 Blanc 3 Blanc 4 Blanc 5 Blanc 6 Blanc 7 Blanc 8 Blanc 9 Blanc 10 Blanc 11
	7	Stroboscope	000 ⇔ 009 010 ⇔ 099 100 ⇔ 109 110 ⇔ 179 180 ⇔ 189 190 ⇔ 255	Pas de fonction 0-25 Hz Pas de fonction Effet d'éclairage Pas de fonction Aléatoire
	8	Programmes	000 ⇔ 040 041 ⇔ 050 051 ⇔ 060 061 ⇔ 070 071 ⇔ 080 081 ⇔ 090 091 ⇔ 100 101 ⇔ 110 111 ⇔ 120 121 ⇔ 130 131 ⇔ 140 141 ⇔ 150 151 ⇔ 160 161 ⇔ 170 171 ⇔ 180 181 ⇔ 190 191 ⇔ 200 201 ⇔ 210 211 ⇔ 220 221 ⇔ 230 231 ⇔ 255	Pas de fonction Auto 1 Auto 2 Auto 3 Auto 4 Auto 5 Auto 6 Auto 7 Auto 8 Auto 9 Auto 10 Personnalisé 1 Personnalisé 2 Personnalisé 3 Personnalisé 4 Personnalisé 5 Personnalisé 6 Personnalisé 7 Personnalisé 8 Personnalisé 9 Personnalisé 10
	9	Vitesse Auto	000 ⇔ 255	0-100%
	10	Zoom	000 ⇔ 255	0-100%
	11	Réinitialisation du Zoom	000 ⇔ 200 201 ⇔ 220 221 ⇔ 255	Pas de fonction Réinitialisation du zoom Pas de fonction

TOUR	Cana	Fonction	Valeur	Pourcentage/Configuration
	12	Vitesse du Gradateur	000 ⇄ 009 010 ⇄ 029 030 ⇄ 069 070 ⇄ 129 130 ⇄ 189 190 ⇄ 255	Vitesse du gradateur prédéfinie depuis le menu Gradateur linéaire Courbe de gradation non linéaire 1 (la plus rapide) Courbe de gradation non linéaire 2 Courbe de gradation non linéaire 3 Courbe de gradation non linéaire 4 (la moins rapide)
HSIC	Cana	Fonction	Valeur	Pourcentage/Configuration
	1	Gradateur	000 ⇄ 255	0-100%
	2	Teintes	000 ⇄ 255	0-100%
	3	Teintes Fin	000 ⇄ 255	0-100%
	4	Saturation	000 ⇄ 255	0-100%
	5	Macros de Couleurs + Balance des Blancs	000 ⇄ 010 011 ⇄ 030 031 ⇄ 050 051 ⇄ 070 071 ⇄ 090 091 ⇄ 110 111 ⇄ 130 131 ⇄ 150 151 ⇄ 170 171 ⇄ 200 201 ⇄ 205 206 ⇄ 210 211 ⇄ 215 216 ⇄ 220 221 ⇄ 225 226 ⇄ 230 231 ⇄ 235 236 ⇄ 240 241 ⇄ 245 246 ⇄ 251 251 ⇄ 255	Pas de fonction R:100% V: 0-100% B: 0 R:100%-0 V: 100% B: 0 R:0 V: 100% B: 0-100% R:0 V: 100%-0 B: 100% R:0-100% V: 0 B: 100% R:100% V: 0 B: 100%-0 R:100% V: 0-100% B: 0-100% R:100%-0 V: 100%-0 B: 100% RVBb: 100% Blanc 1 Blanc 2 Blanc 3 Blanc 4 Blanc 5 Blanc 6 Blanc 7 Blanc 8 Blanc 9 Blanc 10 Blanc 11
	6	Stroboscope	000 ⇄ 009 010 ⇄ 099 100 ⇄ 109 110 ⇄ 179 180 ⇄ 189 190 ⇄ 255	Pas de fonction 0-25 Hz Pas de fonction Effet d'éclairage Pas de fonction Aléatoire
	7	Zoom	000 ⇄ 255	0-100%
	8	Réinitialisation du Zoom	000 ⇄ 200 201 ⇄ 220 221 ⇄ 255	Pas de fonction Réinitialisation du zoom Pas de fonction
	9	Vitesse du Gradateur	000 ⇄ 009 010 ⇄ 029 030 ⇄ 069 070 ⇄ 129 130 ⇄ 189 190 ⇄ 255	Vitesse du gradateur prédéfinie depuis le menu Gradateur linéaire Courbe de gradation non linéaire 1 (la plus rapide) Courbe de gradation non linéaire 2 Courbe de gradation non linéaire 3 Courbe de gradation non linéaire 4 (la moins rapide)

QUICK REFERENCE GUIDE



FR

SSP	Cana	Fonction	Valeur	Pourcentage/Configuration
	1	Gradateur	000 ⇔ 255	0-100%
	2	Rouge	000 ⇔ 255	0-100%
	3	Vert	000 ⇔ 255	0-100%
	4	Bleu	000 ⇔ 255	0-100%
	5	Blanc	000 ⇔ 255	0-100%
	6	Stroboscope	000 ⇔ 009	Pas de fonction
			010 ⇔ 099	0-25 Hz
			100 ⇔ 109	Pas de fonction
			110 ⇔ 179	Effet d'éclairage
			180 ⇔ 189	Pas de fonction
			190 ⇔ 255	Aléatoire
	7	Zoom	000 ⇔ 255	0-100%
	8	Réinitialisation du Zoom	000 ⇔ 200	Pas de fonction
			201 ⇔ 220	Réinitialisation du zoom
			221 ⇔ 255	Pas de fonction
	9	Vitesse du Gradateur	000 ⇔ 009	Vitesse du gradateur prédéfinie depuis le menu
			010 ⇔ 029	Gradateur linéaire
			030 ⇔ 069	Courbe de gradation non linéaire 1 (la plus rapide)
			070 ⇔ 129	Courbe de gradation non linéaire 2
			130 ⇔ 189	Courbe de gradation non linéaire 3
			190 ⇔ 255	Courbe de gradation non linéaire 4 (la moins rapide)

Over deze handleiding

De COLORado 1 Solo Beknopte Handleiding (BH) bevat basisinformatie over het product, zoals aansluiting, montage, menu-opties en DMX-waarden. Download de gebruikershandleiding op www.chauvetprofessional.com voor meer informatie.

Disclaimer

De informatie en specificaties in deze BH kunnen zonder voorafgaande kennisgeving worden gewijzigd.

Veiligheids instructies

- Open het product NIET. Het bevat geen te onderhouden onderdelen.
- Om onnodige slijtage te elimineren en zijn levensduur te verlengen, gedurende perioden wanneer het product niet wordt gebruikt, moet u het product van de stroom afsluiten door een aardlekschakelaar om te zetten of door het te ontkoppelen.
- KIJK NIET in de lichtbron wanneer het apparaat is ingeschakeld.
- LET OP: De behuizing van dit product kan heet zijn wanneer het in bedrijf is.
- Monteer dit product op een plek met voldoende ventilatie, ten minste 50 cm van de aangrenzende oppervlakken.
- Plaats geen ontvlambaar materiaal binnen 50 cm van dit product als het in gebruik is of is aangesloten op het stopcontact.
- LET OP: Bij het verplaatsen van het product uit extreme omgevingen, (bijv. koude vrachtwagen naar warme, vochtige balzaal) kan er condensvorming optreden op de elektronica van het product. Om storingen te vermijden moet het product volledig kunnen acclimatiseren aan de omgeving voordat het op stroom wordt aangesloten.
- Niet voor permanente buiteninstallatie in locaties met extreme weersomstandigheden. Dit is met inbegrip van, maar niet beperkt tot:
 - Blootstelling aan een marien/zout milieu (binnen 5 km van zout water).
 - Waar de gebruikelijke hoge of lage temperaturen van de locatie de temperatuurbereiken in deze handleiding overschrijden.
 - Locaties die kunnen overstromen of onder sneeuw begraven kunnen worden.
 - Andere gebieden waar het product blootstaat aan extreme straling of bijtende substanties.
- GEBRUIK een veiligheidskabel bij het boven het hoofd plaatsen van dit product.
- Dit product NIET onderdompelen (IP65). Regelmatig gebruik buitenshuis is prima.
- Gebruik dit product NIET als de behuizing, lenzen of kabels beschadigd lijken.
- Sluit dit product NIET aan op een dimmer of een regelweerstand.
- Sluit dit product UITSLUITEND op een geaard en beveiligd stroomcircuit.
- Gebruik UITSLUITEND de ophang-/montagebeugel om dit product te dragen.
- Stop in het geval van ernstige operationele problemen onmiddellijk met het gebruik.
- De maximale omgevingstemperatuur bedraagt 45 °C. Gebruik dit product niet bij hogere temperaturen.

Contact

Van buiten de VS, Verenigd Koninkrijk, Ierland, Mexico of Benelux kunt u contact opnemen met de distributeur of om ondersteuning vragen dan wel het product retourneren. Ga naar [Contact Us](#) voor contactinformatie.

Wat is inbegrepen

- Colorado 3 Solo
- Seetronic Powerkon IP65 stroomsnoer
- Garantiekaart
- Beknopte handleiding

AC-stroom

Dit product heeft een voeding met automatisch bereik die werkt met een ingangsspanning van 100–240 VAC, 50/60 Hz.

Power Linking

U kunt tot 8 COLORado 3 Solo-producten koppelen bij 120 V of 15 producten bij 230 V. Dit aantal niet overschrijden. Power Linking-snoeren kunnen apart aangeschaft worden.

AC-stekker

Aansluiting	Snoer (VS)	Snoer (Europa)	Schroefkleur
AC Live	Zwart	Bruin	Geel/messing
AC Neutraal	Wit	Blauw	Zilver
AC Aarde	Groen/geel	Groen/geel	Groen



- Om onnodige slijtage te elimineren en zijn levensduur te verlengen, gedurende perioden wanneer het product niet wordt gebruikt, moet u het product van de stroom afsluiten door een aardlekschakelaar om te zetten of door het te ontkoppelen.
- Wanneer dit product buiten wordt gebruikt moeten stroom- en gegevenskabels met een IP65-certificering (of hoger) worden gebruikt. Zorg ervoor dat ongebruikte stroom- en gegevenspoorten worden afgesloten met de aangehechte IP65-afdekkingen.

DMX-koppeling

De COLORado 3 Solo kan met een DMX-controller werken met een normale DMX seriële verbinding. Op www.chauvetprofessional.com is een DMX basishandleiding verkrijgbaar.

DMX-aansluiting

De COLORado 3 Solo gebruikt een normale DMX-gegevensverbinding voor zijn DMX-persoonlijkheden: **STD.Y**, **TOUR**, **TR16**, **SSP** en **HSIC**. Zie de gebruikershandleiding om te verbinden en te configureren voor DMX-werking.



Wanneer dit product buiten wordt gebruikt in een omgeving die die een IP65-certificering vereist, moet er ook worden gezorgd dat er gegevenskabels met IP65-certificering of hoger worden gebruikt en moeten de ongebruikte poorten worden afgedekt met de vastgehechte IP65-afdekkingen.



Let op: Voor optimale bediening van de 16-bit dimkanalen in de persoonlijkheden TR16 en STD.Y, moet u controleren dat beide dimcurven in SET > DIM en SET > CURV zijn ingesteld naar uit.

Master/slave-verbinding

De COLORado 3 Solo maakt gebruik van de DMX-dataverbinding voor haar Master-/Slave-modus. Zie de gebruikershandleiding om te verbinden en te configureren voor Master/Slave-werking.

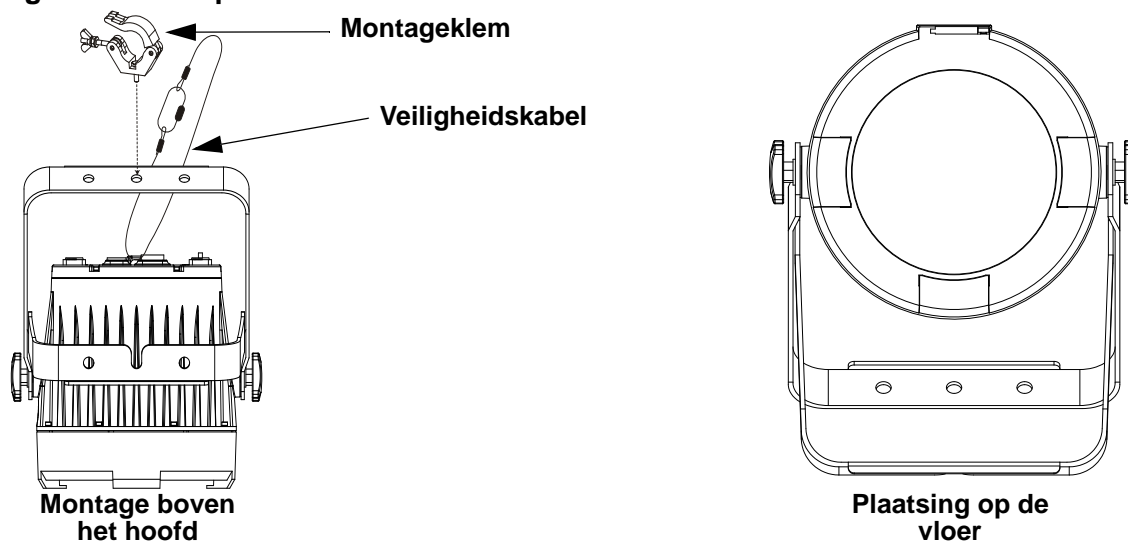
RDM (apparaatbeheer op afstand)

Remote Device Management of RDM (apparaatbeheer op afstand) is een standaard die het voor DMX-apparaten mogelijk maakt om in twee richtingen te communiceren over bestaande DMX-kabels. De Colorado 3 Solo ondersteunt het RDM-protocol dat zorgt feedback toelaat bij de bewaking van wijzigingen aan de menu map-opties van. Download de gebruikershandleiding op www.chauvetprofessional.com voor meer informatie.

Montage

Lees alvorens dit product te monteren alle [Veiligheids instructies](#). Controleer of de montageklem het gewicht van het product kan dragen. Ga voor onze Chauvet-serie montageklemmen naar <http://trusst.com/productcategory/truss-clamps/>

Montagediagram van het product



Beschrijving bedienings paneel

Toets	Functie
<MENU>	Sluit het huidige menu of functie af
<ENTER>	Activeert het huidige getoonde menu of plaatst de huidige geselecteerde waarde in de geselecteerde functie
<UP>	Navigeert omhoog via het menu of verhoogt de numerieke waarde wanneer in een functie
<DOWN>	Navigeert omlaag via het menu of verlaagt de numerieke waarde wanneer in een functie

Toegangscode

Vul na dat gevraagd te worden de volgende toegangscode in door te drukken op:

<UP>, <DOWN>, <UP>, <DOWN>, <ENTER>

Dit toegangscode kan niet gewijzigd worden en moet indien gevraagd ingevuld worden.

Menupap

Hoofdniveau	Programmeerniveaus		Beschrijving
STATIC	RED	0-255	Combineert rood, groen, blauw en wit om een aangepaste kleur te maken (0-100%)
	GREEN		
	BLUE		
	WHITE		
	ZOOM		
	STROBE		Wijzigt de stralingshoek (zoom)
ADDRESS	001-512		Selecteert het DMX-startadres
AUTO PROGRAM	AUTO 1-10	SPEED 0-255	10 automatische programma's
	PROGRAM 1-10		10 instelbare programma's
RUN MODE	DMX		DMX-modus
	SLAVE		Master/Slave-modus
ZOOM MODE	ZOOM MODE 1		Normale operatie
	ZOOM MODE 2		Aanbevolen voor gebruik onder 40 ° F
PERSONALITY	HSIC		9-channel: H/S/CCT dimmer, zoom, zoomherstel, stroboscoop, dimmersnelheid
	SSP		9-kanaals: RGBW, dimmer, zoom, zoomherstel, stroboscoop, dimmersnelheid
	TOUR		12-kanaals: RGBW, dimmer, stroboscoop, kleurenmacro, auto/aangepast, dimmersnelheid, autosnelheid, zoom, zoomherstel
	TR16		17-kanaals: 16-bit RGBW en dimmer; stroboscoop, kleurenmacro, auto/aangepast, dimmersnelheid, autosnelheid, zoom, zoomherstel
	STD.Y		17-kanaals: 16-bit RGBW en dimmer; stroboscoop, kleurenmacro, auto/aangepast, dimmersnelheid, autosnelheid, zoom, zoomherstel

QUICK REFERENCE GUIDE



NL

Hoofdniveau	Programmeerniveaus				Beschrijving	
EDIT	PROGRAM 1-10	SCENE-01-30	RED	0-255	Combineert rood, groen, blauw en wit om een aangepaste kleur te genereren (0-100%)	
			GREEN			
			BLUE			
			WHITE			
			ZOOM			
			STROBE			
			TIME			
			FADE		Definieert de fadeduur (langzaam tot snel)	
SETTING	**** (Enter Passcode)	UPLOAD	**** (Enter Passcode)	SEND	Uploadt aangepaste programma's naar andere COLORado 3 Solo-producten	
		RESET	**** (Enter Passcode)		Herstelt product naar de fabriekinstellingen	
		COLOR	OFF		RGB ingesteld naar 255 = max. opbrengst	
			RGBW		RGB ingesteld naar 255 = gebalanceerd wit	
			UC		Universele kleurenbalans	
		DIMMER	OFF		Selecteert dimprofielen van snel (Dimmer1) tot langzaam Dimmer3) of Off (uit)	
			DIM1			
			DIM2			
			DIM3			
		DMX ERROR	SAVE		Gaat verder met de laatste opdracht na verlies van DMX-regeling	
			BLACK		Verduistert de armatuur na verlies van DMX	
		PWM	600HZ		Selecteert de PWM-uitgangsfrequentie	
			1200HZ			
			2000HZ			
			2400HZ			
			6000HZ			
			18000HZ			
FULL POWER CCT	Warm White		Stelt de kleurtemperatuur in wanneer alle kleurfaders zijn ingesteld naar 100%			
	Neutral White					
	Cool White#1					
	Cool White#2					
		NORMAL		Handmatige kleurtemperatuur		
KEY	OFF				Schakelt de toegangscode aan of uit	
	ON					
CALIB.C	**** (Enter Passcode)	WHITE-01-11	RED	0-255	Wijzigt de kleurenmacro's die worden gebruikt in de TOUR, HSIC, TR16 en STD.Y-persoonlijkheden	
			GREEN			
			BLUE			
			WHITE			
		RGBW	R.		Definieert de kleurtemperatuur die wordt gebruikt wanneer COLOR is ingesteld naar RGBW	
			G.			
			B.			
INFO	VERSION		V....		Toont de geïnstalleerde softwareversie	
	RDM	UID			Geeft de huidige UID #
		LABEL		COLORADO 3 SOLO		Productnaam

DMX-waarden

STD.Y	Kanaal	Functie	Waarde	Percentage/instelling
	1	Dimmer	000 ⇔ 255	0-100%
	2	Fijne dimmer	000 ⇔ 255	Fijne regeling (16-bit) (Stapduur indien Custom 1-10 in CH. 13 actief is)
	3	Rood	000 ⇔ 255	0-100% (Fadeduur indien Custom 1-10 in CH. 13 actief is)
	4	Fijn rood	000 ⇔ 255	Fijne regeling (16-bit)
	5	Groen	000 ⇔ 255	0-100%
	6	Fijn groen	000 ⇔ 255	Fijne regeling (16-bit)
	7	Blauw	000 ⇔ 255	0-100%
	8	Fijn blauw	000 ⇔ 255	Fijne regeling (16-bit)
	9	Wit	000 ⇔ 255	0-100%
	10	Fijn wit	000 ⇔ 255	Fijne regeling (16-bit)
	11	Kleurenmacro + witbalans	000 ⇔ 010 011 ⇔ 030 031 ⇔ 050 051 ⇔ 070 071 ⇔ 090 091 ⇔ 110 111 ⇔ 130 131 ⇔ 150 151 ⇔ 170 171 ⇔ 200 201 ⇔ 205 206 ⇔ 210 211 ⇔ 215 216 ⇔ 220 221 ⇔ 225 226 ⇔ 230 231 ⇔ 235 236 ⇔ 240 241 ⇔ 245 246 ⇔ 251 251 ⇔ 255	Geen functie R:100% G: 0-100% B: 0 R:100%-0 G: 100% B: 0 R:0 G: 100% B: 0-100% R:0 G: 100%-0 B: 100% R:0-100% G: 0 B: 100% R:100% G: 0 B: 100%-0 R:100% G: 0-100% B: 0-100% R:100%-0 G: 100%-0 B: 100% RGBW: 100% Wit 1 Wit 2 Wit 3 Wit 4 Wit 5 Wit 6 Wit 7 Wit 8 Wit 9 Wit 10 Wit 11
	12	Stroboscoop	000 ⇔ 009 010 ⇔ 099 100 ⇔ 109 110 ⇔ 179 180 ⇔ 189 190 ⇔ 255	Geen functie 0-25 Hz Geen functie Verlichtingseffect Geen functie Willekeurig
	13	Programma's	000 ⇔ 040 041 ⇔ 050 051 ⇔ 060 061 ⇔ 070 071 ⇔ 080 081 ⇔ 090 091 ⇔ 100 101 ⇔ 110 111 ⇔ 120 121 ⇔ 130 131 ⇔ 140 141 ⇔ 150 151 ⇔ 160 161 ⇔ 170 171 ⇔ 180 181 ⇔ 190 191 ⇔ 200 201 ⇔ 210 211 ⇔ 220 221 ⇔ 230 231 ⇔ 255	Geen functie Auto 1 Auto 2 Auto 3 Auto 4 Auto 5 Auto 6 Auto 7 Auto 8 Auto 9 Auto 10 Aangepast 1 Aangepast 2 Aangepast 3 Aangepast 4 Aangepast 5 Aangepast 6 Aangepast 7 Aangepast 8 Aangepast 9 Aangepast 10
	14	Automatische snelheid	000 ⇔ 255	0-100%

QUICK REFERENCE GUIDE



NL

STD.Y	Kanaal	Functie	Waarde	Percentage/instelling
	15	Zoom	000 ⇔ 255	0-100%
	16	Zoomherstel	000 ⇔ 200	Geen functie
			201 ⇔ 220 221 ⇔ 255	Zoomherstel Geen functie
17	Dimmersnelheid	000 ⇔ 009	Voorinstelling van de dimmersnelheid vanaf het displaymenu	
		010 ⇔ 029	Lineaire dimmer	
		030 ⇔ 069	Niet-lineaire dimcurve 1 (snelst)	
		070 ⇔ 129	Niet-lineaire dimcurve 2	
		130 ⇔ 189 190 ⇔ 255	Niet-lineaire dimcurve 3 Niet-lineaire dimcurve 4 (langzaamst)	
TR16	Kanaal	Functie	Waarde	Percentage/instelling
	1	Dimmer	000 ⇔ 255	0-100%
	2	Fijne dimmer	000 ⇔ 255	Fijne regeling (16-bit) (Stapduur indien Custom 1-10 in CH. 13 actief is)
	3	Rood	000 ⇔ 255	0-100% (Fadeduur indien Custom 1-10 in CH. 13 actief is)
	4	Fijn rood	000 ⇔ 255	Fijne regeling (16-bit)
	5	Groen	000 ⇔ 255	0-100%
	6	Fijn groen	000 ⇔ 255	Fijne regeling (16-bit)
	7	Blauw	000 ⇔ 255	0-100%
	8	Fijn blauw	000 ⇔ 255	Fijne regeling (16-bit)
	9	Wit	000 ⇔ 255	0-100%
	10	Fijn wit	000 ⇔ 255	Fijne regeling (16-bit)
11	Kleurenmacro + witbalans	000 ⇔ 010	Geen functie	
		011 ⇔ 030	R:100% G: 0-100% B: 0	
		031 ⇔ 050	R:100%-0 G: 100% B: 0	
		051 ⇔ 070	R:0 G: 100% B: 0-100%	
		071 ⇔ 090	R:0 G: 100%-0 B: 100%	
		091 ⇔ 110	R:0-100% G: 0 B: 100%	
		111 ⇔ 130	R:100% G: 0 B: 100%-0	
		131 ⇔ 150	R:100% G: 0-100% B: 0-100%	
		151 ⇔ 170	R:100%-0 G: 100%-0 B: 100%	
		171 ⇔ 200	RGBW: 100%	
		201 ⇔ 205	Wit 1	
		206 ⇔ 210	Wit 2	
		211 ⇔ 215	Wit 3	
		216 ⇔ 220	Wit 4	
		221 ⇔ 225	Wit 5	
		226 ⇔ 230	Wit 6	
		231 ⇔ 235	Wit 7	
236 ⇔ 240	Wit 8			
241 ⇔ 245	Wit 9			
246 ⇔ 251	Wit 10			
251 ⇔ 255	Wit 11			
12	Stroboscoop	000 ⇔ 009	Geen functie	
		010 ⇔ 099	0-25 Hz	
		100 ⇔ 109	Geen functie	
		110 ⇔ 179	Verlichtingseffect	
		180 ⇔ 189	Geen functie	
		190 ⇔ 255	Willekeurig	

TR16	Kanaal	Functie	Waarde	Percentage/instelling
	13	Programma's	000 ⇄ 040	Geen functie
			041 ⇄ 050	Auto 1
			051 ⇄ 060	Auto 2
			061 ⇄ 070	Auto 3
			071 ⇄ 080	Auto 4
			081 ⇄ 090	Auto 5
			091 ⇄ 100	Auto 6
			101 ⇄ 110	Auto 7
			111 ⇄ 120	Auto 8
			121 ⇄ 130	Auto 9
			131 ⇄ 140	Auto 10
			141 ⇄ 150	Aangepast 1
			151 ⇄ 160	Aangepast 2
			161 ⇄ 170	Aangepast 3
			171 ⇄ 180	Aangepast 4
			181 ⇄ 190	Aangepast 5
			191 ⇄ 200	Aangepast 6
201 ⇄ 210	Aangepast 7			
211 ⇄ 220	Aangepast 8			
221 ⇄ 230	Aangepast 9			
231 ⇄ 255	Aangepast 10			
14	Automatische snelheid	000 ⇄ 255	0-100%	
15	Zoom	000 ⇄ 255	0-100%	
16	Zoomherstel	000 ⇄ 200	Geen functie	
		201 ⇄ 220	Zoomherstel	
		221 ⇄ 255	Geen functie	
17	Dimmersnelheid	000 ⇄ 009	Voorinstelling van de dimmersnelheid vanaf het displaymenu	
		010 ⇄ 029	Lineaire dimmer	
		030 ⇄ 069	Niet-lineaire dimcurve 1 (snelst)	
		070 ⇄ 129	Niet-lineaire dimcurve 2	
		130 ⇄ 189	Niet-lineaire dimcurve 3	
190 ⇄ 255	Niet-lineaire dimcurve 4 (langzaamst)			
TOUR	Kanaal	Functie	Waarde	Percentage/instelling
	1	Dimmer	000 ⇄ 255	0-100%
	2	Rood	000 ⇄ 255	0-100% (Stapduur indien Custom 1-10 in CH. 8 actief is)
	3	Groen	000 ⇄ 255	0-100% (Fadeduur indien Custom 1-10 in CH. 8 actief is)
	4	Blauw	000 ⇄ 255	0-100%
	5	Wit	000 ⇄ 255	0-100%
	6	Kleurenmacro + witbalans	000 ⇄ 010	Geen functie
			011 ⇄ 030	R:100% G: 0-100% B: 0
			031 ⇄ 050	R:100%-0 G: 100% B: 0
			051 ⇄ 070	R:0 G: 100% B: 0-100%
			071 ⇄ 090	R:0 G: 100%-0 B: 100%
			091 ⇄ 110	R:0-100% G: 0 B: 100%
111 ⇄ 130			R:100% G: 0 B: 100%-0	
131 ⇄ 150			R:100% G: 0-100% B: 0-100%	
151 ⇄ 170			R:100%-0 G: 100%-0 B: 100%	
171 ⇄ 200			RGBW: 100%	
201 ⇄ 205			Wit 1	
206 ⇄ 210			Wit 2	
211 ⇄ 215			Wit 3	
216 ⇄ 220			Wit 4	
221 ⇄ 225			Wit 5	
226 ⇄ 230	Wit 6			
231 ⇄ 235	Wit 7			
236 ⇄ 240	Wit 8			
241 ⇄ 245	Wit 9			
246 ⇄ 251	Wit 10			
251 ⇄ 255	Wit 11			

QUICK REFERENCE GUIDE



NL

TOUR	Kanaal	Functie	Waarde	Percentage/instelling
	7	Stroboscoop	000 ⇔ 009	Geen functie
			010 ⇔ 099	0-25 Hz
			100 ⇔ 109	Geen functie
			110 ⇔ 179	Verlichtingseffect
			180 ⇔ 189	Geen functie
			190 ⇔ 255	Willekeurig
	8	Programma's	000 ⇔ 040	Geen functie
			041 ⇔ 050	Auto 1
			051 ⇔ 060	Auto 2
			061 ⇔ 070	Auto 3
			071 ⇔ 080	Auto 4
			081 ⇔ 090	Auto 5
091 ⇔ 100			Auto 6	
101 ⇔ 110			Auto 7	
111 ⇔ 120			Auto 8	
121 ⇔ 130			Auto 9	
131 ⇔ 140			Auto 10	
141 ⇔ 150			Aangepast 1	
151 ⇔ 160			Aangepast 2	
161 ⇔ 170			Aangepast 3	
171 ⇔ 180			Aangepast 4	
181 ⇔ 190			Aangepast 5	
191 ⇔ 200	Aangepast 6			
201 ⇔ 210	Aangepast 7			
211 ⇔ 220	Aangepast 8			
221 ⇔ 230	Aangepast 9			
231 ⇔ 255	Aangepast 10			
9	Automatische snelheid	000 ⇔ 255	0-100%	
10	Zoom	000 ⇔ 255	0-100%	
11	Zoomherstel	000 ⇔ 200	Geen functie	
		201 ⇔ 220	Zoomherstel	
		221 ⇔ 255	Geen functie	
12	Dimmersnelheid	000 ⇔ 009	Voorinstelling van de dimmersnelheid vanaf het displaymenu	
		010 ⇔ 029	Lineaire dimmer	
		030 ⇔ 069	Niet-lineaire dimcurve 1 (snelst)	
		070 ⇔ 129	Niet-lineaire dimcurve 2	
		130 ⇔ 189	Niet-lineaire dimcurve 3	
		190 ⇔ 255	Niet-lineaire dimcurve 4 (langzaamst)	
SSP	Kanaal	Functie	Waarde	Percentage/instelling
1	Dimmer	000 ⇔ 255	0-100%	
2	Rood	000 ⇔ 255	0-100%	
3	Groen	000 ⇔ 255	0-100%	
4	Blauw	000 ⇔ 255	0-100%	
5	Wit	000 ⇔ 255	0-100%	
6	Stroboscoop	000 ⇔ 009	Geen functie	
		010 ⇔ 099	0-25 Hz	
		100 ⇔ 109	Geen functie	
		110 ⇔ 179	Verlichtingseffect	
		180 ⇔ 189	Geen functie	
		190 ⇔ 255	Willekeurig	
7	Zoom	000 ⇔ 255	0-100%	
8	Zoomherstel	000 ⇔ 200	Geen functie	
		201 ⇔ 220	Zoomherstel	
		221 ⇔ 255	Geen functie	

SSP	Kanaal	Functie	Waarde	Percentage/instelling
	9	Dimmersnelheid	000 ⇄ 009 010 ⇄ 029 030 ⇄ 069 070 ⇄ 129 130 ⇄ 189 190 ⇄ 255	Voorinstelling van de dimmersnelheid vanaf het displaymenu Lineaire dimmer Niet-lineaire dimcurve 1 (snelst) Niet-lineaire dimcurve 2 Niet-lineaire dimcurve 3 Niet-lineaire dimcurve 4 (langzaamst)
HSIC	Kanaal	Functie	Waarde	Percentage/instelling
	1	Dimmer	000 ⇄ 255	0-100%
	2	Tint	000 ⇄ 255	0-100%
	3	Fijn Tint	000 ⇄ 255	Fijne regeling (16-bit)
	4	Verzadiging	000 ⇄ 255	0-100%
	5	Kleurenmacro + witbalans	000 ⇄ 010 011 ⇄ 030 031 ⇄ 050 051 ⇄ 070 071 ⇄ 090 091 ⇄ 110 111 ⇄ 130 131 ⇄ 150 151 ⇄ 170 171 ⇄ 200 201 ⇄ 205 206 ⇄ 210 211 ⇄ 215 216 ⇄ 220 221 ⇄ 225 226 ⇄ 230 231 ⇄ 235 236 ⇄ 240 241 ⇄ 245 246 ⇄ 251 251 ⇄ 255	Geen functie R:100% G: 0-100% B: 0 R:100%-0 G: 100% B: 0 R:0 G: 100% B: 0-100% R:0 G: 100%-0 B: 100% R:0-100% G: 0 B: 100% R:100% G: 0 B: 100%-0 R:100% G: 0-100% B: 0-100% R:100%-0 G: 100%-0 B: 100% RGBW: 100% Wit 1 Wit 2 Wit 3 Wit 4 Wit 5 Wit 6 Wit 7 Wit 8 Wit 9 Wit 10 Wit 11
	6	Stroboscoop	000 ⇄ 009 010 ⇄ 099 100 ⇄ 109 110 ⇄ 179 180 ⇄ 189 190 ⇄ 255	Geen functie 0-25 Hz Geen functie Verlichtingseffect Geen functie Willekeurig
	7	Zoom	000 ⇄ 255	0-100%
	8	Zoomherstel	000 ⇄ 200 201 ⇄ 220 221 ⇄ 255	Geen functie Zoomherstel Geen functie
	9	Dimmersnelheid	000 ⇄ 009 010 ⇄ 029 030 ⇄ 069 070 ⇄ 129 130 ⇄ 189 190 ⇄ 255	Voorinstelling van de dimmersnelheid vanaf het displaymenu Lineaire dimmer Niet-lineaire dimcurve 1 (snelst) Niet-lineaire dimcurve 2 Niet-lineaire dimcurve 3 Niet-lineaire dimcurve 4 (langzaamst)

QUICK REFERENCE GUIDE

Colorado 3 Solo

Multi-Language

Contact Us

WORLD HEADQUARTERS			
General Information	Technical Support		
Address: 5200 NW 108th Ave. Sunrise, FL 33351 Voice: (954) 577-4455 Fax: (954) 929-5560 Toll Free: (800) 762-1084	Voice: (844) 393-7575 Fax: (954) 756-8015 Email: chauvetcs@chauvetlighting.com		
	Website		
	www.chauvetlighting.com		
EUROPE			
General Information	Technical Support		
Address: Stokstraat 18 9770 Kruishoutem Belgium Voice: +32 9 388 93 97	Email: Eutech@chauvetlighting.eu		
	Website		
	www.chauvetlighting.eu		
General Information		Technical Support	
Address: Unit 1C Brookhill Road Industrial Estate Pinxton, Nottingham, UK NG16 6NT Voice: +44 (0) 1773 511115 Fax: +44 (0) 1773 511110	Email: uktech@chauvetlighting.com		
	Website		
	www.chauvetlighting.co.uk		
MEXICO			
General Information		Technical Support	
Address: Av. de las Partidas 34 - 3B Zona Industrial Lerma Lerma, Edo. de México, CP 52000		Email: servicio@chauvet.com.mx	
	Website		
	www.chauvet.com.mx		

Visit the applicable website above to verify our contact information and instructions to request support. Outside the U.S., United Kingdom, Ireland, Mexico or Benelux, contact the dealer of record.



UL 1573
CSA C22.2 No. 166
E113093

