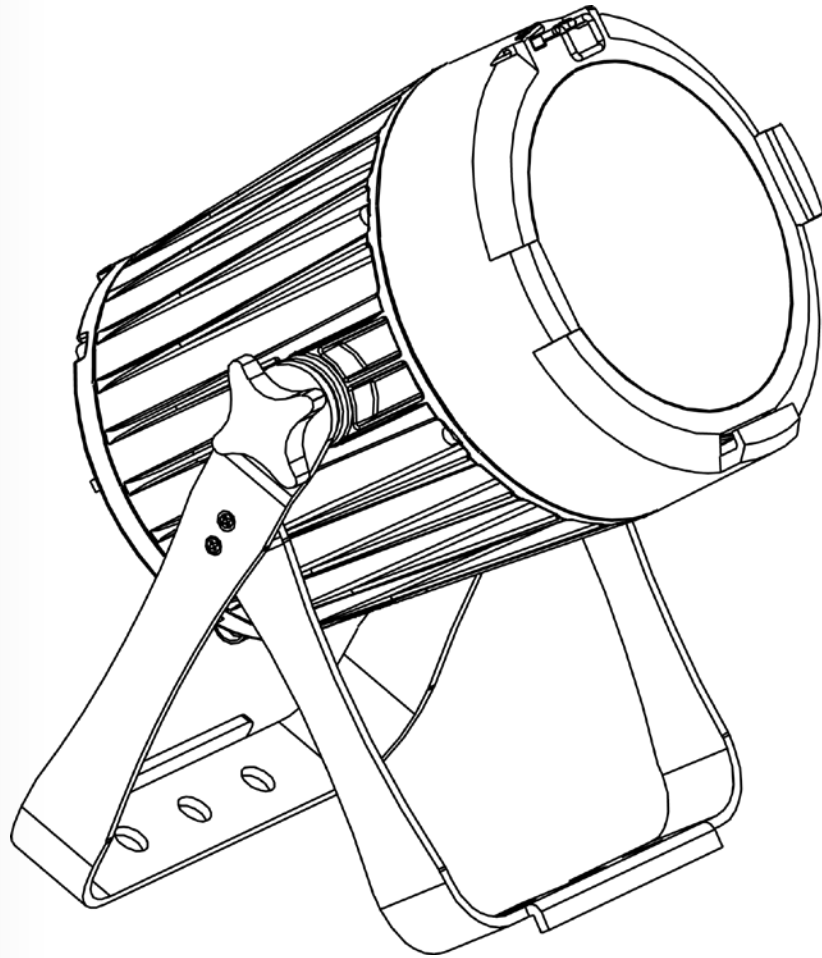


COLORADO 1 SOLO

User Manual




CHAUVET
PROFESSIONAL

Edition Notes The COLORado 1 Solo User Manual Rev. 1 includes a description, safety precautions, and installation, programming, operation, and maintenance instructions for the COLORado 1 Solo as of the release date of this edition in May 2016.

Trademarks CHAUVET, the Chauvet logo and COLORado 1 Solo are registered trademarks or trademarks of Chauvet & Sons LLC. (d/b/a Chauvet and Chauvet Lighting) in the United States and other countries. Other company and product names and logos referred to herein may be trademarks of their respective companies.

Copyright Notice The works of authorship contained in this manual, including, but not limited to, all design, text and images are owned by Chauvet.

© **Copyright 2016 Chauvet & Sons, LLC. All rights reserved.**

Electronically published by Chauvet in the United States of America.

Manual Use Chauvet authorizes its customers to download and print this manual for professional information purposes only. Chauvet expressly prohibits the usage, copy, storage, distribution, modification, or printing of this manual or its content for any other purpose without written consent from Chauvet.

Document Printing For better results, print this document in color, on letter size paper (8.5 x 11 in), double-sided. If using A4 paper (210 x 297 mm), configure your printer to scale the content accordingly.

Intended Audience Any person in charge of installing, operating, and/or maintaining this product should completely read through the guide that shipped with the product, as well as this manual, before installing, operating, or maintaining this product.

Disclaimer Chauvet believes that the information contained in this manual is accurate in all respects. However, Chauvet assumes no responsibility and specifically disclaims any and all liability to any party for any loss, damage or disruption caused by any errors or omissions in this document, whether such errors or omissions result from negligence, accident or any other cause. Chauvet reserves the right to revise the content of this document without any obligation to notify any person or company of such revision, however, Chauvet has no obligation to make, and does not commit to make, any such revisions..

Document Revision The COLORado 1 Solo User Manual Rev. 1 is the first edition of this manual. Go to www.chauvetprofessional.com for the latest version.

Table of Contents

- 1. Before You Begin 1**
 - What Is Included 1
 - Claims 1
 - Manual Conventions 1
 - Symbols 1
 - Safety Notes 2
 - Personal Safety 2
 - Mounting And Rigging 2
 - Power And Wiring 2
 - Operation 2
 - Expected LED Lifespan 2
- 2. Introduction 3**
 - Description 3
 - Features 3
 - Overview 4
 - Dimensions 5
- 3. Setup 6**
 - AC Power 6
 - AC Plug 6
 - Power Linking 6
 - DMX Linking 7
 - DMX Personalities 7
 - Remote Device Management (RDM) 7
 - Master/Slave Connectivity 7
 - Mounting 8
 - Orientation 8
 - Rigging 8
 - Procedure 8
- 4. Operation 9**
 - Control Panel Description 9
 - Control Options 9
 - Programming 9
 - Control Panel Lock 9
 - Passcode 9
 - Menu Map 10
 - Menu Map (Cont.) 11
 - Configuration (Standalone) 12
 - Auto Programs 12
 - Edit Custom Programs 12
 - Master/Slave 12
 - Color Settings 12
 - Dimmer Profiles 13
 - Program Upload 13
 - Reset 13
 - Whites Setting 14
 - White Calibration 14
 - Static Color 14
 - Color Temperature Settings 14
 - Zoom Mode 14
 - LED Frequency 14
 - Software Information 14
 - RDM 14
 - Configuration (DMX) 15

DMX Personalities.....	15
DMX Control.....	15
Loss Of Signal Setting.....	15
TOUR Notes	16
Master Dimmer.....	16
Red, Green, Blue, and White Color Selection	16
Color Macros.....	16
Strobe	16
Auto/Custom	16
Zoom.....	16
Dimmer Speed	16
DMX Values	17
DMX Values (Cont.).....	18
DMX Values (Cont.).....	19
DMX Values (Cont.).....	20
DMX Values (Cont.).....	21
DMX Values (Cont.).....	22
DMX Values (Cont.).....	23
DMX Values (Cont.).....	24
5. Technical Information	25
Product Maintenance.....	25
6. Technical Specifications.....	26
Returns	27
Contact Us	28

1. Before You Begin




- What Is Included**
- COLORado 1 Solo
 - Seetronic Powerkon IP65 power cord
 - Warranty Card
 - Quick Reference Guide

Claims Carefully unpack the product immediately and check the box to make sure all the parts are in the package and are in good condition. If the box or the contents (the product and included accessories) appear damaged from shipping or show signs of mishandling, notify the carrier immediately, not Chauvet. Failure to report damage to the carrier immediately may invalidate your claim. In addition, keep the box and contents for inspection. For other issues, such as missing components or parts, damage not related to shipping, or concealed damage, file a claim with Chauvet within 7 days of delivery.

Manual Conventions

Convention	Meaning
1–512	A range of values in the text
50/60	A set of mutually exclusive values in the text
<SET>	A button on the product’s control panel
Settings	A product function or a menu option
MENU>Settings	A sequence of menu options
1–10	A range of menu values from which to choose in a menu
Yes/No	A set of two mutually exclusive menu options in a menu
ON	A unique value to be entered or selected in a menu

Symbols

Symbols	Meaning
	Critical installation, configuration, or operation information. Failure to comply with this information may cause the product not to work, damage third-party equipment, or cause harm to the operator.
	Important installation or configuration information. Failure to comply with this information may keep the product from working.
	Useful information.



The term “DMX” used throughout this manual refers to the USITT DMX512-A digital data transmission protocol.



Any reference to data or power connections in this manual assumes the use of Seetronic IP rated cables

Safety Notes

Read all the following Safety Notes before working with this product. These notes include important information about the installation, usage, and maintenance of this product.



This product contains no user-serviceable parts. Any reference to servicing in this User Manual will only apply to properly trained Chauvet certified technicians. Do not open the housing or attempt any repairs.



All applicable local codes and regulations apply to proper installation of this product.

Personal Safety

- Avoid direct eye exposure to the light source while the product is on.
- Always disconnect this product from its power source before servicing.
- Always connect this product to a grounded circuit to avoid the risk of electrocution.
- Do not touch this product's housing during operation because it may be very hot.
- Do not submerge this product (IP65). Temporary outdoor operation is fine.
- Do not allow the product to remain pointed straight down if using in below freezing temperatures.
- CAUTION: When transferring product from extreme temperature environments, (e.g. cold truck to warm humid ballroom) condensation may form on the internal electronics of the product. To avoid causing a failure, allow product to fully acclimate to the surrounding environment before connecting it to power.
- Not for permanent outdoor installation in locations with extreme environmental conditions. This includes, but is not limited to:

- Exposure to a marine/saline environment (within 3 miles of a saltwater body of water).
- Where the normal high or low temperatures of the location exceed the temperature ranges in this manual.
- Locations that are prone to flooding or being buried in snow.
- Other areas where the product will be subject to extreme radiation or caustic substances.

Mounting And Rigging

- Mount this product in a location with adequate ventilation, at least 20 in (50 cm) from adjacent surfaces.
- Make sure there are no flammable materials close to this product while it is operating.
- When hanging this product, always secure to a fastening device using a safety cable.
- Always make sure you are connecting this product to the proper voltage in accordance with the specifications in this manual or on the product's specification label.
- To eliminate unnecessary wear and improve its lifespan, during periods of non-use completely disconnect the product from power via breaker or by unplugging it.
- Never connect this product to a dimmer pack or rheostat.
- Never disconnect this product by pulling or tugging on the power cable.

Power And Wiring

Operation

- Do not operate this product if you see damage on the housing, lenses, or cables. Have the damaged parts replaced by an authorized technician at once.
- Do not cover the ventilation slots when operating to avoid internal overheating.
- The maximum ambient temperature is 113 °F (45 °C). Do not operate this product at a higher temperature.
- In case of a serious operating problem, stop using this product immediately!



Expected LED Lifespan

In the unlikely event that your Chauvet product requires service, contact Chauvet Technical Support.

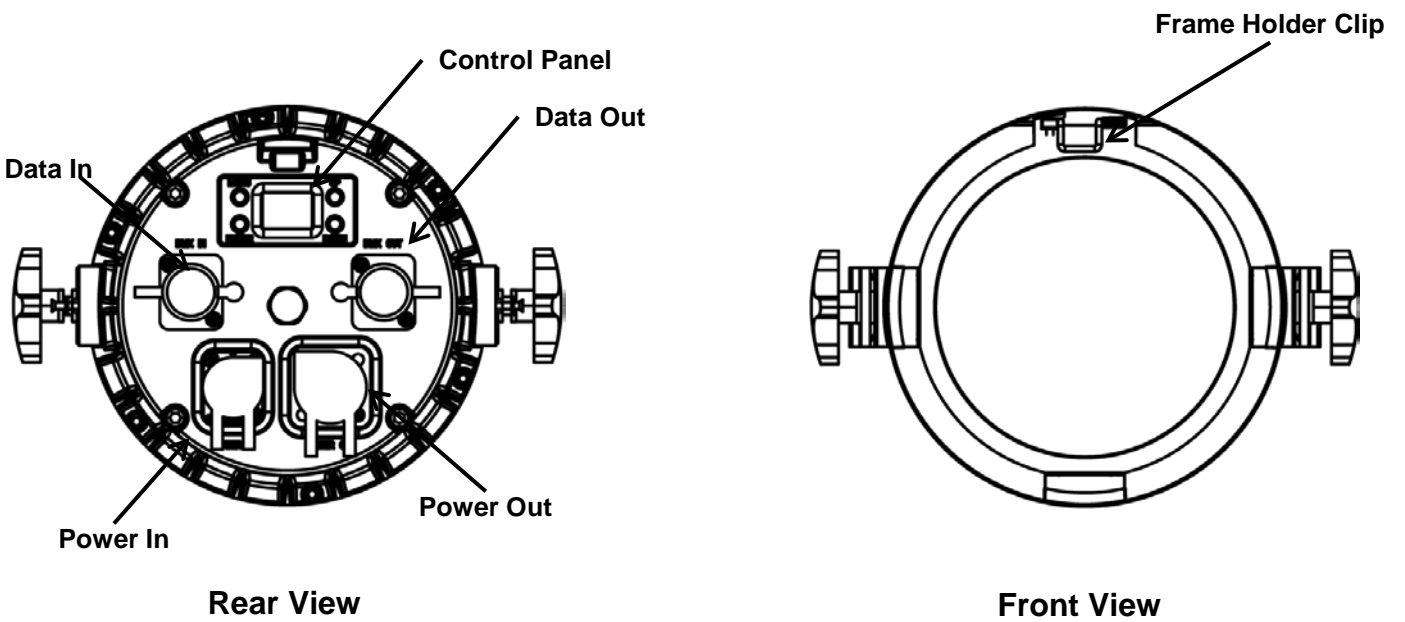
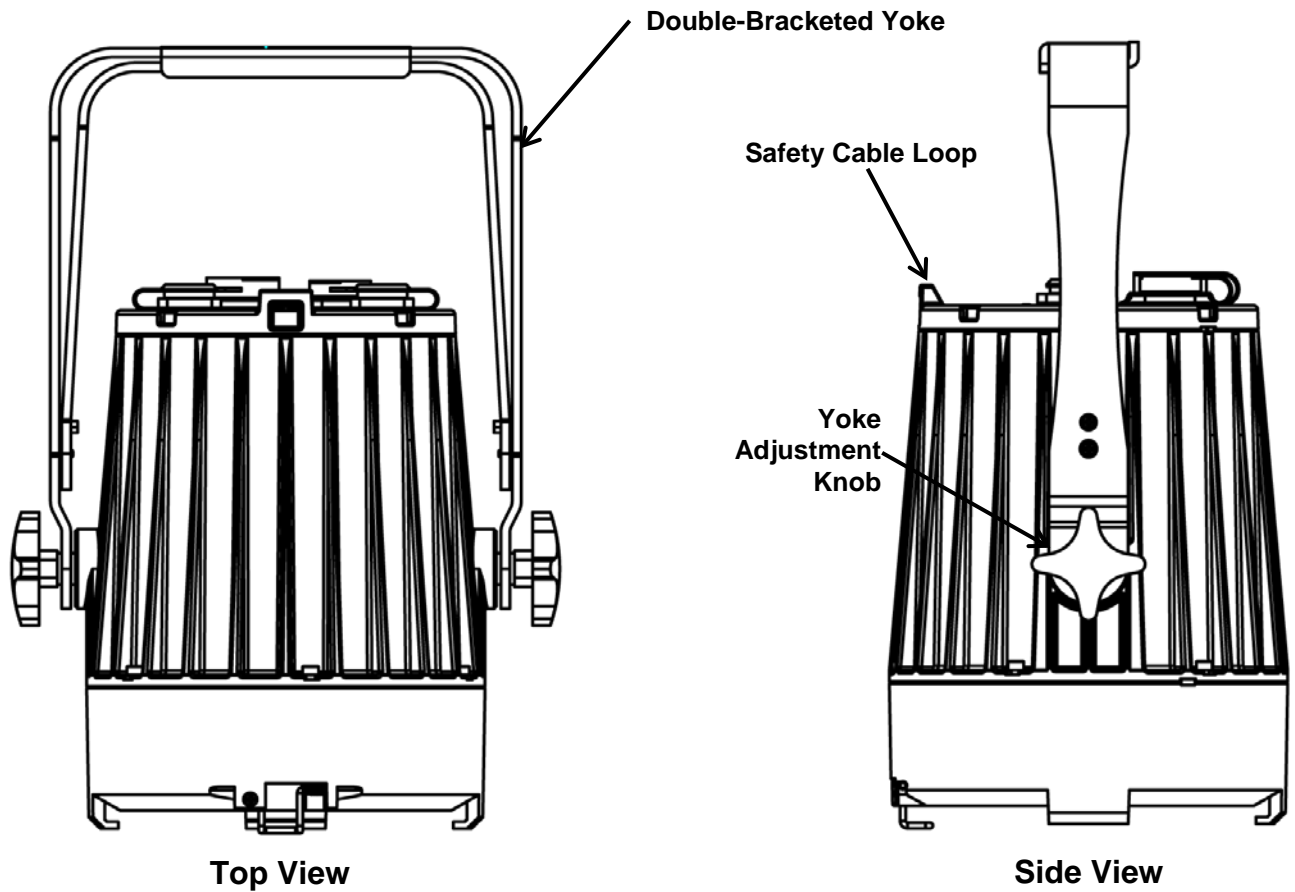
LEDs gradually decline in brightness over time, mostly because of heat. Packaged in clusters, LEDs exhibit higher operating temperatures than in ideal, single-LED conditions. For this reason, using clustered LEDs at their fullest intensity significantly reduces the LEDs' lifespan. Under normal conditions, this lifespan can be 40,000 to 50,000 hours. If extending this lifespan is vital, lower the operating temperature by improving the ventilation around the product and reducing the ambient temperature to an optimal operating range. In addition, limiting the overall projection intensity may also help to extend the LEDs' lifespan.

2. Introduction

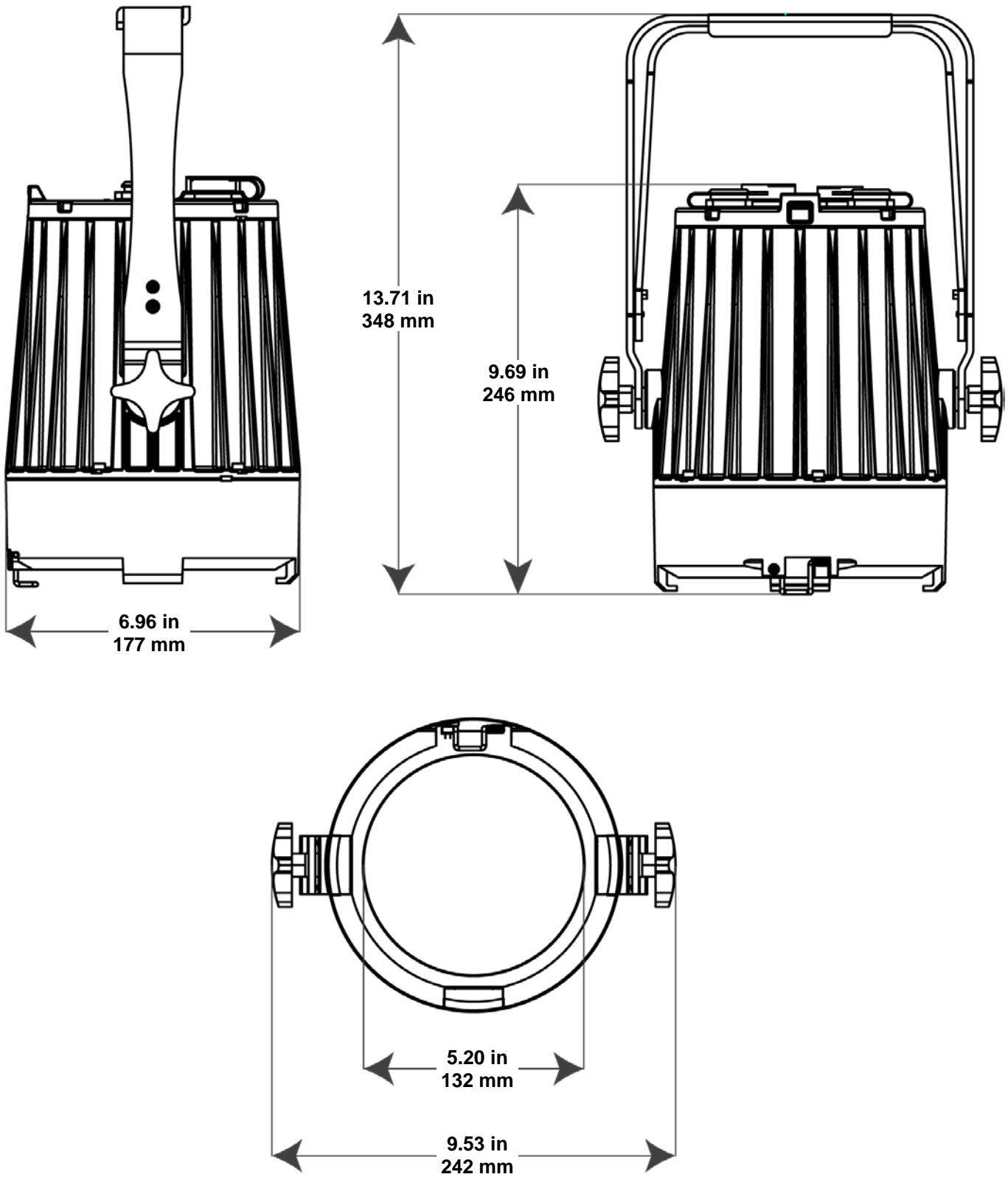
Description The COLORado 1 Solo is an IP65-rated high-power quad-color (RGBW) LED wash product with color mixing and zoom control. This powerful wash product projects an even, fully homogenized beam through fast and smooth zooming optics. The COLORado 1 Solo features new IP rated power and data connectors, full convection cooling, and a double-bracketed yoke that can serve as a floor mount or hanging support bracket.

- Features**
- 9, 12 or 17-channel quad-color LED wash product
 - Operating modes:
 - 9-channel: H/S/CCT control, dimmer, strobe, zoom, zoom reset, dimmer speed
 - 9-channel: R/G/B/W, dimmer, strobe, zoom, zoom reset, dimmer speed
 - 12-channel: R/G/B/W, dimmer, strobe, color macro, auto/custom, dimmer speed, auto speed, zoom, zoom reset
 - 17-channel: 16-bit R/G/B/W and dimmer; strobe, color macro, auto/custom, dimmer speed, auto speed, zoom, zoom reset
 - 17-channel: 16-bit R/G/B/W and dimmer; strobe, color macro, auto/custom, dimmer speed, auto speed, zoom, zoom reset
 - Zooming RGBW LED wash for touring, rental and production indoors or out
 - Completely homogenized wash with superior color mixing and zoom
 - 8° to 55° smooth and fast zoom
 - All environment operation with IP rated power and DMX connections
 - Color temperature presets, from 3200 K to 10000 K
 - Selectable, smooth dimming curves for programming versatility
 - OLED display with password protection

Overview



Dimensions



3. Setup

AC Power

Each COLORado 1 Solo has an auto-ranging power supply that works with an input voltage range of 100 to 240 VAC, 50/60 Hz. To determine the power requirements for each COLORado 1 Solo, refer to the label affixed to the product. You can also refer to the [Technical Specifications](#) chart in this manual.

The listed current rating indicates the maximum current draw during normal operation. For more information, you may download Sizing Circuit Breakers from the Chauvet website: www.chauvetprofessional.com.



- **Always connect this product to a protected circuit with an appropriate electrical ground to avoid the risk of electrocution or fire.**
- **To eliminate unnecessary wear and improve its lifespan, during periods of non-use completely disconnect the product from power via breaker or by unplugging it.**



Never connect this product to a rheostat (variable resistor) or dimmer circuit, even if the rheostat or dimmer channel serves only as a 0 to 100% switch.

AC Plug

The COLORado 1 Solo comes with a power input cord terminated with a Seetronic Powerkon A connector on one end and an Edison plug on the other end (U.S. market). If the power input cord that came with your product has no plug, or if you need to change the Edison plug, use the table below to wire the new plug.

Connection	Wire (U.S.)	Wire (Europe)	Screw Color
AC Live	Black	Brown	Yellow or Brass
AC Neutral	White	Blue	Silver
AC Ground	Green/Yellow	Green/Yellow	Green

Power Linking

The COLORado 1 Solo supports power linking. You can power link up to 24 products at 120 V; up to 40 at 208 V; or up to 45 at 230 V. This product comes with a power input cord.



- **To preserve the IP65 rating and the warranty of this product, Seetronic Powerkon cables must be used.**
- **Insert the attached IP65 rated plugs into the corresponding power/data connections when not in use.**

DMX Linking You can link the COLORado 1 Solo to a DMX controller using a 5-pin DMX connection. If using other DMX-compatible products with the COLORado 1 Solo, you can control each individually with a single DMX controller.

DMX Personalities The COLORado 1 Solo uses a 5-pin DMX data connection for the **HSIC, SSP, TOUR, TR16,** and **STD.Y** DMX personalities.

- Refer to the [Introduction](#) chapter for a brief description of each DMX personality.
- Refer to the [Operation](#) chapter to learn how to configure the COLORado 1 Solo to work in these personalities.
- The [DMX Values](#) section provides you with detailed information regarding the DMX personalities.



- **If you are not familiar with or need more information about DMX standards, Master/Slave connectivity, or the DMX cables needed to link this product to a DMX controller, download the DMX Primer from the Chauvet website: www.chauvetprofessional.com.**
- **For optimum control of the 16-bit dimming channels in the TR16 and STD.Y personalities, be sure that both dimming curves in SETTING > DIMMER are set to OFF.**

Remote Device Management (RDM) Remote Device Management, or RDM, is a standard for allowing DMX-enabled devices to communicate bi-directionally along existing DMX cabling. Check the DMX controller's User Manual or with the manufacturer as not all DMX controllers have this capability. The COLORado 1 Solo supports RDM protocol that allows feedback to make changes to menu map options.

Master/Slave Connectivity The Master/Slave mode allows a COLORado 1 Solo (the master) to control one or more COLORado 1 Solos (the slaves) without a DMX controller. One COLORado 1 Solo becomes the master when running an auto or custom program, or by being in a Static mode. You must configure each slave's control panel to operate in Slave mode. During Master/Slave operation, the slaves will operate in unison with the master.



DO NOT connect a DMX controller to products operating in Master/Slave mode. The DMX controller signals may interfere with the signals from the master.



- The [Operation](#) section of this manual provides detailed instructions on how to configure the master and slaves.
- **If you are not familiar with or need more information about DMX standards, or the DMX cables needed to link this product to a DMX controller, download the DMX Primer from the Chauvet website: www.chauvetprofessional.com.**
- **To preserve the IP65 rating and the warranty of this product, IP65 data cables must be used.**
- **Insert the attached IP65 rated plugs into the corresponding power/data connections when not in use.**



Mounting Before mounting this product, read and follow the [Safety Notes](#). For our CHAUVET Professional line of mounting clamps, go to <http://trusst.com/products/>.

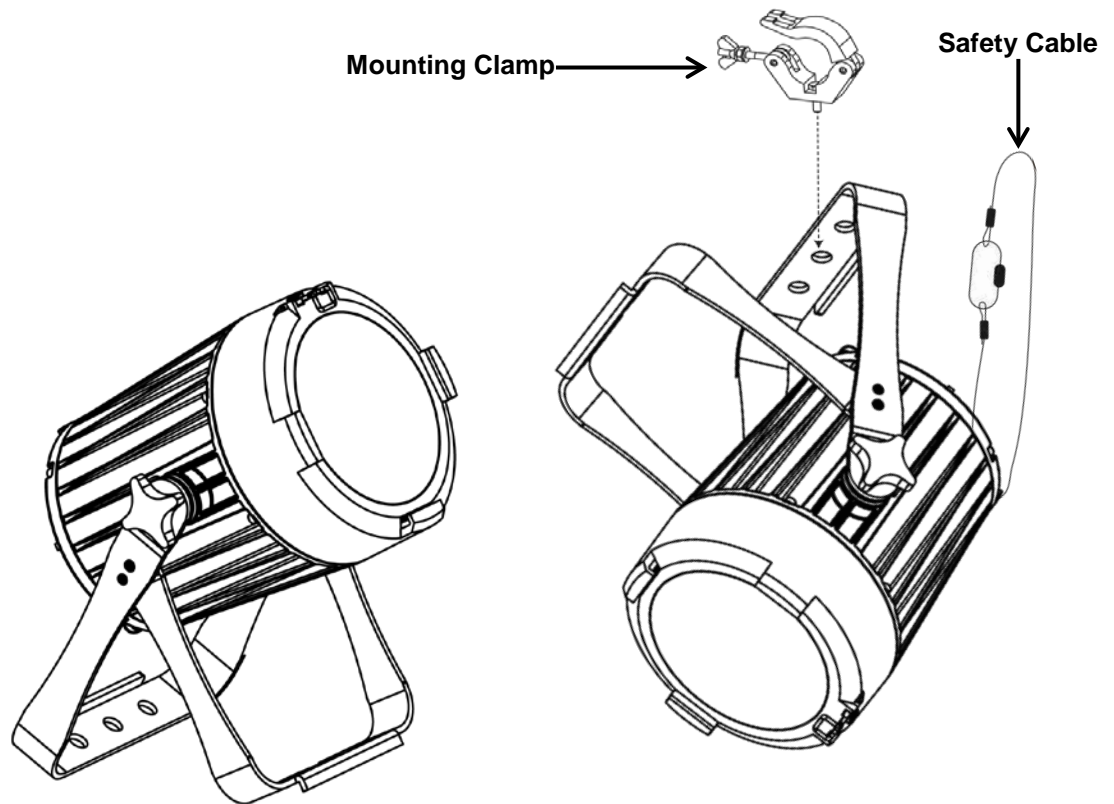
Orientation Always mount this product in a safe position and make sure there is adequate room for ventilation, configuration, and maintenance.

Rigging Chauvet recommends using the following general guidelines when mounting this product.

- When selecting an installation location, consider easy access to this product for operation, programming adjustments, and routine maintenance.
- Make sure to mount this product away from any flammable material as indicated in the [Safety Notes](#).
- If hanging this product, make sure that the mounting location can support the product's weight. See the [Technical Specifications](#) for the weight-bearing requirements of this product.
- When hanging this product, always secure to a fastening device using a safety cable. For our CHAUVET Professional line of safety cables, go to <http://trusst.com/products/>.

Procedure The COLORado 1 Solo comes with a double-bracketed yoke to which you can either attach mounting clamps for hanging or simply use as a floor stand. You must supply your own mounting clamps. Make sure the clamps are capable of supporting the weight of this product. Use at least one mounting point per product. For our CHAUVET Professional line of mounting clamps, go to <http://trusst.com/products/>.

Mounting Diagram



Floor Mounting

Overhead Mounting



When using only one mounting clamp, be sure to use a clamp with a captive bolt to prevent accidental loosening.

4. Operation

Control Panel Description	Button	Function
	<MENU>	Exits from the current menu or function
	<ENTER>	Enables the currently displayed menu or sets the currently selected value in to the current function
	<UP>	Navigates upward through the menu list or increases the numeric value when in a function
	<DOWN>	Navigates downward through the menu list or decreases the numeric value when in a function

Control Options Set the COLORado 1 Solo starting address in the **001–512** DMX range. This enables control of up to 30 products in the 17-channel **TR16** personality.

Programming Refer to the [Menu Map](#) to understand the menu options. The menu map shows the main level and a variable number of programming levels for each option.

- To go to the desired main level, press **<MENU>** repeatedly until the option shows on the display. Press **<ENTER>** to select. This will take you to the first programming level for that option.
- To select an option or value within the current programming level, press **<UP>** or **<DOWN>** until the option shows on the display. Press **<ENTER>** to select. In this case, if there is another programming level, you will see that first option, or you will see the selected value.
- Press **<MENU>** repeatedly to exit to the previous main level.

Control Panel Lock This setting enables you to activate or disable the control panel lock, which keeps non-authorized personnel from changing the product's settings.

1. Go to the **KEY** main level.
2. Select **ON** or **OFF**.



When the control panel lock is activated, in order to access the products main programming level, the product will prompt you to enter the passcode. Enter the passcode as described in [Passcode](#).

Passcode After being prompted to enter the passcode:

- Press **<UP>**, **<DOWN>**, **<UP>**, **<DOWN>**, **<ENTER>**.

Menu Map

Main Level	Programming Levels			Description
STATIC	000–255		RED	Combines red, green, blue, and white to make a custom color (0–100%)
			GREEN	
			BLUE	Changes the beam angle (zoom)
			WHITE	
			ZOOM	
			STROBE	
ADDRESS	001–512			Selects the DMX starting address
AUTO PROGRAM	AUTO1-10	Speed	000–255	10 automatic programs
	PROGRAM1-10			10 customizable programs
RUN MODE	DMX			DMX mode
	SLAVE			Master/Slave mode
ZOOM MODE	ZOOM MODE 1			Normal operation
	ZOOM MODE 2			Recommended for use Below 40 °F
PERSONALITY	HSIC			9-channel: H/S/CCT control, dimmer, strobe, zoom, zoom reset, dimmer speed
	SSP			9-channel: R/G/B/W, dimmer, strobe, zoom, zoom reset, dimmer speed
	TOUR			12-channel: R/G/B/W, dimmer, strobe, color macro, auto/custom, dimmer speed, auto speed, zoom, zoom reset
	TR16			17-channel: 16-bit RGBW and dimmer; strobe, color macro, auto/custom, dimmer speed, auto speed, zoom, zoom reset
	STD.Y			17-channel: 16-bit RGBW and dimmer; strobe, color macro, auto/custom, dimmer speed, auto speed, zoom, zoom reset
EDIT	PROGRAM 01-10	SCENE 01–30	RED	Combines red, green, blue, and white to make a custom color (0-100%)
			GREEN	
			BLUE	Changes the beam angle (zoom)
			WHITE	
			ZOOM	
			STROBE	
			TIME	Defines the step duration (slow to fast)
			FADE	Defines the fade duration (slow to fast)

Menu Map (Cont.)

Main Level	Programming Levels				Description	
SETTING	**** (Enter Passcode)	UPLOAD	**** (Enter Passcode)	SEND	Uploads custom programs to other COLORado 1 Solo products	
			RESET	**** (Enter Passcode)	Defaults product to factory settings	
		COLOR	UC		Universal color balance	
			RGBW		RGB set to 255 = balanced white	
			OFF		RGB set to 255 = max. output	
		DIMMER	OFF		No dimmer	
			DIM4		Selects dimming profiles from fast (DIM1) to slow (DIM4) or OFF	
			DIM3			
			DIM2			
			DIM1			
		DMX ERROR	SAVE		Continues with last command upon loss of DMX control	
			BLACK		Blacks out fixture upon loss of DMX	
		PWM	600Hz		Selects the PWM output frequency	
			1200Hz			
			2000Hz			
			2400Hz			
			6000Hz			
			25000Hz			
FULL POWER CCT	WARM WHITE		Sets the color temperature when all color faders are set to 100%			
	NEUTRAL WHITE					
	COOL WHITE					
	NORMAL		Manual color temperature			
KEY	ON				Turns the passcode on or off	
	OFF					
CALIB.C	**** (Enter Passcode)	WHITE 01-12	RED	000–255	Modifies the color macros used in the TOUR , TR16 , HSIC , and STD.Y personality	
			GREEN			
			BLUE			
			WHITE			
		RGBW	R.	000–255		Defines the color temperature used when COLOR is set to RGBW .
			G.			
B.						
INFO	VERSION	V0.1			Shows installed software version	
	RDM	UID	0x21A40067 ____		Displays Current UID #	
		LABEL	COLORado 1 SoLo			Product Name

Configuration (Standalone) Use standalone configuration to operate the product without a DMX controller.

Auto Programs Auto programs allow for dynamic RGBW color mixing without a DMX controller.

1. Go to the **AUTO PRPGRAM** main level.
2. Select the desired auto (**AUTO1-10**) and (**Speed 000-255**) or custom program (**PROGRAM1-10**).



You cannot edit any of the auto programs (AUTO1-10); however, you can edit the custom programs (PROGRAM1-10). See [Edit Custom Programs](#) for details.

Edit Custom Programs

This setting allows the programming of up to 30 scenes for each of the 10 customizable programs, including colors and effects.

1. Go to the **EDIT** main level.
2. Select the desired auto program (**PROGRAM01-10**).
3. Select the desired scene (**SCENE 01-30**).
4. Select the desired color or effect (**RED, GREEN, BLUE, WHITE, STROBE, TIME, or FADE**).
5. Select the color or effect value (**000-255**).
6. Repeat for the other colors or effects.
7. Return to the scene (**SCENE 01-30**) level.
8. Repeat the settings of colors and effects for the other scenes.

Master/Slave

The Master/Slave mode allows a group of COLORado 1 Solos (the slaves) to simultaneously duplicate the output of another COLORado 1 Solo (the master) without a DMX controller.

1. Set each of the slaves:
 - a. Go to the **RUN MODE** main level.
 - b. Select **SLAVE**.
2. Set the master:
 - a. Set the running mode to **DMX** as explained in [DMX Control](#).
 - b. Select an auto or custom program as explained in [Auto Programs](#), or a static mix of colors.

- **The master is the one that runs a program whether in Auto, Custom or Static Color mode.**



- **Do not connect a DMX controller to the products configured for Master/Slave operation. The DMX controller may interfere with signals from the master.**

- **The master should be the first product in the daisy chain.**

Color Settings

The **COLOR** setting determines how the COLORado 1 Solo generates the white color based on various RGB settings.

1. Go to the **SETTING** main level.
2. Enter the master access passcode as described in [Passcode](#).
3. Select **COLOR**.
4. Select **OFF, RGBW, or UC**.

OFF: When all the RGB faders are set to **255**, the output is maximum, although the resulting white color may not be balanced.



RGBW: When all the RGB faders are set to **255**, the resulting output is defined by the configured white color (see [White Calibration](#)).

UC: When all the RGB faders are set to **255**, the output matches that of less efficient products (Universal Color).

Dimmer Profiles This setting determines how fast the output of the COLORado 1 Solo changes when you modify the values of the red, green, blue, white, and dimmer faders. This setting provides four different options to simulate the dimming curve of an incandescent lighting product.

1. Go to the **SETTING** main level.
2. Enter the master access passcode as described in [Passcode](#).
3. Select **DIMMER**.
4. Select a dimmer curve (**OFF**, **DIM1**, **DIM2**, **DIM3**, or **DIM4**).



- OFF:** The output is proportional (linear) to the dimmer and RGBW channel values.
- DIM1–4:** The output follows the dimmer and RGBW channel values based on the corresponding dimmer curve, **DIM1** being the fastest and **DIM4** the slowest.



For optimum control of the 16-bit dimming channels in the TR16 and STD.Y personalities, be sure that both dimming curves in SETTING > DIMMER are set to OFF.



When the control panel lock is active, the product will prompt you to enter the passcode after 30 seconds of control panel inactivity or after turning on the product. See [Passcode](#).

Program Upload This option allows you to copy the custom programs of one COLORado 1 Solo onto other COLORado 1 Solo by using the Master/Slave mode.

1. Configure and connect the products in a Master/Slave arrangement, where the master has the custom programs you want to transfer to the slaves.
2. From the master, go to the **SETTING** main level.
3. Enter the master access passcode as shown in [Passcode](#).
4. Select **UPLOAD**.
5. Enter the master access passcode as shown in [Passcode](#).
6. When **SEND** shows, press **<ENTER>** to start the upload.
7. Wait for the upload process to finish (the display will show **END** before continuing or turning the products off).

The master and slaves will provide the status of the process by lighting up as follows:



- **Yellow** indicates that the upload process is running.
- **Green** indicates that the upload process completed successfully.
- **Red** indicates that the upload process failed due to an error. Recheck all cable connections and restart the process. If the issue persists, contact Chauvet Technical Support.



DO NOT upload the data from a COLORado 1 Solo to a different product. The other product may become inoperative.

Reset This setting allows you to reset the COLORado 1 Solo to the default values, including the custom programs.

1. Go to the **SETTING** main level.
2. Enter the master access passcode as described in [Passcode](#).
3. Select **RESET**.
4. Enter the master access passcode as described in [Passcode](#).
5. Wait for the reset process to finish.

Whites Setting This setting allows you to select and edit the temperature of the white colors used in channel 6 (Macros) when in the **TOUR** mode, channel 11 when in the **TR16** and **STD.Y** mode, or channel 5 when in the **HSIC** mode.

1. Go to the **CALIB.C** main level.
2. Enter the master access passcode as described in [Passcode](#).
3. Select a white color (**WH.01–12**).
4. Select a color (**RED, GREEN, BLUE, or WHITE**).
5. Select a color value (**000–255**).
6. Repeat for the other colors.

White Calibration This setting allows you to select the white color shown by the COLORado 1 Solo when the color setting is **RGBW** and the DMX controller's red, green, and blue faders are set to **255**.

1. Go to the **CALIB.C** main level.
2. Enter the master access passcode as described in [Passcode](#).
3. Go to **RGBW**.
4. Select a color (**R., G., or B.**).
5. Select a color value (**000–255**).
6. Repeat for the other colors.



When selecting CALIB.C > RGBW, you will only be able to define the values of R. (red), G. (green), and B. (blue).



The values of R. (red), G. (green), and B. (blue) configured from CALIB.C > RGBW will define the color temperature shown when the RGB faders are set to 255 if SETTING > COLOR > RGBW is active.

Static Color The Static Color mode allows for permanent RGBW color mixing without a DMX controller.

1. Go to the **STATIC** main level.
2. Select the desired color or effect (**RED, GREEN, BLUE, WHITE, STROBE, or ZOOM**).
3. Select the color or effect value (**000–255** for colors, strobe, and effect).
4. Repeat for the other colors or effects.

Color Temperature Settings This setting controls the color temperature with preset white output options when all color faders are set to 100%.

1. Go to the **SETTING** main level.
2. Enter the master access passcode as described in [Passcode](#).
3. Select **FULL POWER CCT**.
4. Choose a white output color temperature. (**WARM WHITE, NEUTRAL WHITE, COOL WHITE, or NORMAL**)

Zoom Mode These settings are to be changed when operating in environmental temperatures lower than 40 °F. The default setting for normal operating temperatures above 40 °F is **ZOOM MODE 1**.

1. Go to the **ZOOM MODE** main level.
1. Select **ZOOM MODE 1** for use in normal operating temperature environments or **ZOOM MODE 2** environmental temperatures lower than 40 °F.

LED Frequency This option changes the Pulse Width Modulation (PWM) frequency of the LEDs on the COLORado 1 Solo.

1. Go to the **SETTING** main level.
2. Enter the master access passcode as described in [Passcode](#).
3. Select **PWM**.
4. Choose an output frequency. (**600Hz, 1200Hz, 2000Hz, 2400Hz, 6000Hz, or 25000Hz**)

Software Information This option shows what version of software the COLORado 1 Solo is running.

1. Go to the **INFO** main level.
2. Select **VERSION** and the version number will show on the screen.

RDM This option shows the product's **UID #** and the product name.

1. Go to the **RDM** main level.
2. Select **UID** and the version number will show on the screen.
3. Select **LABEL** and the product name will show on the screen.

Configuration (DMX)

Use DMX configurations to operate the product with a DMX controller.

DMX Personalities

This setting allows you to choose a particular DMX personality.

1. Go to the **PERSONALITY** main level.
2. Select the desired personality (**TOUR**, **TR16**, **STD.Y**, **HSIC**, or **SSP**).



- **See the DMX Values section for the highest starting address you can select for each personality.**
- **Make sure that the starting addresses on the various products do not overlap due to the new personality setting.**

DMX Control

In this mode, each product will respond to a unique starting address from the DMX controller. All products with the same starting address will respond in unison.

1. Select a DMX personality as shown in [DMX Personalities](#).
2. Set the running mode:
 - a. Go to the **RUN MODE** main level.
 - b. Select the **DMX** programming level.
3. Set the starting address:
 - a. Go to **ADDRESS** main level.
 - b. Select the starting address (**001–512**).

The highest recommended starting address for each DMX mode is as follows:



DMX Personality	DMX Address	DMX Personality	DMX Address	DMX Personality	DMX Address
TOUR	501	TR16	496	STD.Y	496
HSIC	504	SSP	504		

Loss Of Signal Setting

This setting controls how the product will respond when the DMX signal is lost.

1. Go to the **SETTING** main level.
2. Enter the master access passcode as described in [Passcode](#).
3. Select **DMX ERROR**.
 - a. Select **SAVE** to make the product use the last command used when the signal is lost.
 - b. Select **BLACK** to turn off the all the LEDs when the signal is lost.

TOUR Notes These notes clarify the way the **TOUR** DMX personality works.

- Master Dimmer**
 - Channel 1 controls the intensity of the currently projected color.
 - When the slider is at the highest position (**100%**), the intensity of the output is at maximum.
- Red, Green, Blue, and White Color Selection**
 - Channels 2 through 5 control the intensity ratio of each of the red, green, blue, and white LEDs.
 - When these channels are at the highest position (**100%**), the intensity of each color is at maximum if **SETTING > COLOR** is **OFF**.
 - You can combine channels 2 through 5 to create over one trillion colors.
- Color Macros**
 - Channel 6 selects the required color macro.
 - Channel 6 has priority over channels 2 through 6.
 - Channel 1 controls the intensity of the color macro.
- Strobe**
 - Channel 7 controls the strobe frequency (not the intensity) of channels 2 through 6.
 - Channel 7 can strobe channels 2 through 5 when not running macros, allowing the individual faders (**R**, **G**, **B**, and **W**), as well as channel 1 (**D**), to control the output intensity.
 - Channel 7 can strobe channel 6 when running macros, allowing channel 6 to select the macro and channel 1 to control the output intensity.
- Auto/Custom**
 - Channel 8 selects the preset auto programs **AUTO01–10** or the custom programs **PROGRAM1-10**.
 - When activating the custom auto programs **PROGRAM1-10**, you can control the step time and fade time using channels 2 and 3, respectively.
 - Channel 8 has priority over channels 2 through 7.
 - Channel 9 controls the speed at which each auto program plays.
- Zoom**
 - Channel 10 controls Zoom adjustment. This provides options to adjust the beam angle from 8 to 55 degrees.
 - Channel 11 resets the zoom lens to the home position.
- Dimmer Speed**
 - Channel 12 selects the Dimmer mode and speed. Dimmer mode provides four different options to simulate the dimming curve of an incandescent lighting product.
 - When dimmer is set to **OFF**, the changes in the RGBW and master dimmer faders are linear.
 - When dimmer is set to **DIM1–DIM4**, **DIM1** is the fastest dimmer curve and **DIM4** is the slowest.

DMX Values

STD.Y	Channel	Function	Value	Percent/Setting
	1	Dimmer	000 ó 255	0–100%
	2	Dimmer Fine	000 ó 255	Fine control (16-bit) (Step Duration if Custom 1–10 in CH. 13 is active)
	3	Red	000 ó 255	0–100% (Fade Duration if Custom 1–10 in CH. 13 is active)
	4	Red Fine	000 ó 255	Fine control (16-bit)
	5	Green	000 ó 255	0–100%
	6	Green Fine	000 ó 255	Fine control (16-bit)
	7	Blue	000 ó 255	0–100%
	8	Blue Fine	000 ó 255	Fine control (16-bit)
	9	White	000 ó 255	0–100%
	10	White Fine	000 ó 255	Fine control (16-bit)
	11	Color Macro	000 ó 010	No function
			011 ó 030	R: 100% G: 0-100% B: 0
			031 ó 050	R: 100%-0 G: 100% B: 0
			051 ó 070	R: 0 G: 100% B: 0-100%
			071 ó 090	R: 0 G: 100%-0 B: 100%
			091 ó 110	R: 0-100% G: 0 B: 100%
			111 ó 130	R: 100% G: 0 B: 100%-0
			131 ó 150	R: 100% G: 0-100% B: 0-100%
			151 ó 170	R: 100%-0 G: 100%-0 B: 100%
			171 ó 200	R: 100% G: 100% B: 100% W: 100%
			201 ó 205	White 1
			206 ó 210	White 2
			211 ó 215	White 3
			216 ó 220	White 4
			221 ó 225	White 5
			226 ó 230	White 6
	231 ó 235	White 7		
	236 ó 240	White 8		
	241 ó 245	White 9		
	246 ó 250	White 10		
	251 ó 255	White 11		
	12	Strobe Effect	000 ó 009	No function
			010 ó 099	0–25 Hz
			100 ó 109	No function
			110 ó 179	Lightning Strobe
			180 ó 189	No function
			190 ó 255	Random Strobe

DMX Values (Cont.)

STD.Y (Cont.)	Channel	Function	Value	Percent/Setting
	13	Programs	000 ó 040	No function
			041 ó 050	Auto 1
			051 ó 060	Auto 2
			061 ó 070	Auto 3
			071 ó 080	Auto 4
			081 ó 090	Auto 5
			091 ó 100	Auto 6
			101 ó 110	Auto 7
			111 ó 120	Auto 8
			121 ó 130	Auto 9
			131 ó 140	Auto 10
			141 ó 150	Custom 1
			151 ó 160	Custom 2
			161 ó 170	Custom 3
			171 ó 180	Custom 4
			181 ó 190	Custom 5
	191 ó 200	Custom 6		
	201 ó 210	Custom 7		
	211 ó 220	Custom 8		
	221 ó 230	Custom 9		
	231 ó 255	Custom 10		
14	Auto Speed		000 ó 255	0–100% (Only when using Auto 1–10)
15	Zoom		000 ó 255	0–100%
16	Zoom Control		000 ó 200	No function
			201 ó 220	Zoom reset
			221 ó 255	No function
17	Dimmer Speed		000 ó 009	Preset dimmer speed from display menu
			010 ó 029	Linear dimmer
			030 ó 069	Nonlinear dimming curve 1 (fastest)
			070 ó 129	Nonlinear dimming curve 2
			130 ó 189	Nonlinear dimming curve 3
			190 ó 255	Nonlinear dimming curve 4 (slowest)

DMX Values (Cont.)

TR16	Channel	Function	Value	Percent/Setting
	1	Dimmer	000 ó 255	0–100%
	2	Dimmer Fine	000 ó 255	Fine control (16-bit) (Step Duration if Custom 1–10 in CH. 13 is active)
	3	Red	000 ó 255	0–100% (Fade Duration if Custom 1–10 in CH. 13 is active)
	4	Red Fine	000 ó 255	Fine control (16-bit)
	5	Green	000 ó 255	0–100%
	6	Green Fine	000 ó 255	Fine control (16-bit)
	7	Blue	000 ó 255	0–100%
	8	Blue Fine	000 ó 255	Fine control (16-bit)
	9	White	000 ó 255	0–100%
	10	White Fine	000 ó 255	Fine control (16-bit)
	11	Color Macro	000 ó 010	No function
			011 ó 030	R: 100% G: 0-100% B: 0
			031 ó 050	R: 100%-0 G: 100% B: 0
			051 ó 070	R: 0 G: 100% B: 0-100%
			071 ó 090	R: 0 G: 100%-0 B: 100%
			091 ó 110	R: 0-100% G: 0 B: 100%
			111 ó 130	R: 100% G: 0 B: 100%-0
			131 ó 150	R: 100% G: 0-100% B: 0-100%
			151 ó 170	R: 100%-0 G: 100%-0 B: 100%
			171 ó 200	R: 100% G: 100% B: 100% W: 100%
			201 ó 205	White 1
			206 ó 210	White 2
			211 ó 215	White 3
			216 ó 220	White 4
			221 ó 225	White 5
			226 ó 230	White 6
	231 ó 235	White 7		
	236 ó 240	White 8		
	241 ó 245	White 9		
	246 ó 250	White 10		
	251 ó 255	White 11		
	12	Strobe Effect	000 ó 009	No function
			010 ó 099	0–25 Hz
			100 ó 109	No function
			110 ó 179	Lightning Strobe
			180 ó 189	No function
			190 ó 255	Random Strobe

DMX Values (Cont.)

TR16 (Cont.)	Channel	Function	Value	Percent/Setting
13	Programs		000 ó 040	No function
			041 ó 050	Auto 1
			051 ó 060	Auto 2
			061 ó 070	Auto 3
			071 ó 080	Auto 4
			081 ó 090	Auto 5
			091 ó 100	Auto 6
			101 ó 110	Auto 7
			111 ó 120	Auto 8
			121 ó 130	Auto 9
			131 ó 140	Auto 10
			141 ó 150	Custom 1
			151 ó 160	Custom 2
			161 ó 170	Custom 3
			171 ó 180	Custom 4
			181 ó 190	Custom 5
	191 ó 200	Custom 6		
	201 ó 210	Custom 7		
	211 ó 220	Custom 8		
	221 ó 230	Custom 9		
	231 ó 255	Custom 10		
14	Auto Speed		000 ó 255	0–100% (Only when using Auto 1–10)
15	Zoom		000 ó 255	0–100%
16	Zoom Control		000 ó 200	No function
			201 ó 220	Zoom reset
			221 ó 255	No function
17	Dimmer Speed		000 ó 009	Preset dimmer speed from display menu
			010 ó 029	Linear dimmer
			030 ó 069	Nonlinear dimming curve 1 (fastest)
			070 ó 129	Nonlinear dimming curve 2
			130 ó 189	Nonlinear dimming curve 3
			190 ó 255	Nonlinear dimming curve 4 (slowest)

DMX Values (Cont.)

TOUR	Channel	Function	Value	Percent/Setting
	1	Dimmer	000 ∘ 255	0–100%
	2	Red	000 ∘ 255	Fine control (16-bit) (Step Duration if Custom 1–10 in CH. 8 is active)
	3	Green	000 ∘ 255	0–100% (Fade Duration if Custom 1–10 in CH. 8 is active)
	4	Blue	000 ∘ 255	0–100%
	5	White	000 ∘ 255	0–100%
	6	Color Macro	000 ∘ 010	No function
			011 ∘ 030	R: 100% G: 0-100% B: 0
			031 ∘ 050	R: 100%-0 G: 100% B: 0
			051 ∘ 070	R: 0 G: 100% B: 0-100%
			071 ∘ 090	R: 0 G: 100%-0 B: 100%
			091 ∘ 110	R: 0-100% G: 0 B: 100%
			111 ∘ 130	R: 100% G: 0 B: 100%-0
			131 ∘ 150	R: 100% G: 0-100% B: 0-100%
			151 ∘ 170	R: 100%-0 G: 100%-0 B: 100%
			171 ∘ 200	R: 100% G: 100% B: 100% W: 100%
			201 ∘ 205	White 1
			206 ∘ 210	White 2
			211 ∘ 215	White 3
			216 ∘ 220	White 4
			221 ∘ 225	White 5
			226 ∘ 230	White 6
	231 ∘ 235	White 7		
	236 ∘ 240	White 8		
	241 ∘ 245	White 9		
	246 ∘ 250	White 10		
	251 ∘ 255	White 11		
	7	Strobe Effect	000 ∘ 009	No function
			010 ∘ 099	0–25 Hz
			100 ∘ 109	No function
			110 ∘ 179	Lightning Strobe
			180 ∘ 189	No function
	190 ∘ 255	Random Strobe		

DMX Values (Cont.)

TOUR (Cont.)	Channel	Function	Value	Percent/Setting
	8	Programs	000 ó 040	No function
			041 ó 050	Auto 1
			051 ó 060	Auto 2
			061 ó 070	Auto 3
			071 ó 080	Auto 4
			081 ó 090	Auto 5
			091 ó 100	Auto 6
			101 ó 110	Auto 7
			111 ó 120	Auto 8
			121 ó 130	Auto 9
			131 ó 140	Auto 10
			141 ó 150	Custom 1
			151 ó 160	Custom 2
			161 ó 170	Custom 3
			171 ó 180	Custom 4
			181 ó 190	Custom 5
	191 ó 200	Custom 6		
	201 ó 210	Custom 7		
	211 ó 220	Custom 8		
	221 ó 230	Custom 9		
	231 ó 255	Custom 10		
9	Auto Speed		000 ó 255	0–100% (Only when using Auto 1–10)
10	Zoom		000 ó 255	0–100%
11	Zoom Control		000 ó 200	No function
			201 ó 220	Zoom reset
			221 ó 255	No function
12	Dimmer Speed		000 ó 009	Preset dimmer speed from display menu
			010 ó 029	Linear dimmer
			030 ó 069	Nonlinear dimming curve 1 (fastest)
			070 ó 129	Nonlinear dimming curve 2
			130 ó 189	Nonlinear dimming curve 3
	190 ó 255	Nonlinear dimming curve 4 (slowest)		

DMX Values (Cont.)

SSP	Channel	Function	Value	Percent/Setting
	1	Dimmer	000 ó 255	0–100%
	2	Red	000 ó 255	0–100%
	3	Green	000 ó 255	0–100%
	4	Blue	000 ó 255	0–100%
	5	White	000 ó 255	0–100%
	6	Strobe Effect	000 ó 009	No function
			010 ó 099	0–25 Hz
			100 ó 109	No function
			110 ó 179	Lightning Strobe
			180 ó 189	No function
			190 ó 255	Random Strobe
	7	Zoom	000 ó 255	0–100%
	8	Zoom Control	000 ó 200	No function
			201 ó 220	Zoom reset
			221 ó 255	No function
	9	Dimmer Speed	000 ó 009	Preset dimmer speed from display menu
			010 ó 029	Linear dimmer
			030 ó 069	Nonlinear dimming curve 1 (fastest)
			070 ó 129	Nonlinear dimming curve 2
			130 ó 189	Nonlinear dimming curve 3
	190 ó 255	Nonlinear dimming curve 4 (slowest)		

DMX Values (Cont.)

HSIC	Channel	Function	Value	Percent/Setting
	1	Dimmer	000-255	0-100%
	2	Hue	000-255	0-100%
	3	Hue Fine	000-255	0-100%
	4	Saturation	000-255	0-100%
	5	Color Macro	000-010	No function
			011-030	R: 100% G: 0-100% B: 0
			031-050	R: 100%-0 G: 100% B: 0
			051-070	R: 0 G: 100% B: 0-100%
			071-090	R: 0 G: 100%-0 B: 100%
			091-110	R: 0-100% G: 0 B: 100%
			111-130	R: 100% G: 0 B: 100%-0
			131-150	R: 100% G: 0-100% B: 0-100%
			151-170	R: 100%-0 G: 100%-0 B: 100%
			171-200	R: 100% G: 100% B: 100% W: 100%
			201-205	White 1
			206-210	White 2
			211-215	White 3
			216-220	White 4
			221-225	White 5
			226-230	White 6
	231-235	White 7		
	236-240	White 8		
	241-245	White 9		
	246-250	White 10		
	251-255	White 11		
	6	Strobe Effect	000-009	No function
			010-099	0-25 Hz
			100-109	No function
			110-179	Lightning Strobe
			180-189	No function
			190-255	Random Strobe
	7	Zoom	000-255	0-100%
	8	Zoom Control	000-200	No function
			201-220	Zoom reset
			221-255	No function
	9	Dimmer Speed	000-009	Preset dimmer speed from display menu
			010-029	Linear dimmer
			030-069	Nonlinear dimming curve 1 (fastest)
			070-129	Nonlinear dimming curve 2
			130-189	Nonlinear dimming curve 3
			190-255	Nonlinear dimming curve 4 (slowest)

5. Technical Information

Product Maintenance

To maintain optimum performance and minimize wear, clean this product frequently. Usage and environment are contributing factors in determining the cleaning frequency.

As a rule, clean this product at least twice a month. Dust build-up reduces light output performance and can cause overheating. This can lead to reduced light source life and increased mechanical wear.

To clean your product:

1. Unplug the product from power.
2. Wait until the product is at room temperature.
3. Use a vacuum (or dry compressed air) and a soft brush to remove dust collected on the external vents.
4. Clean all external surfaces with a mild solution of non-ammonia glass cleaner or isopropyl alcohol.
5. Apply the solution directly to a soft, lint-free cotton cloth or a lens cleaning tissue.
6. Wipe any dirt or grime to the outside edges of the lens surface.
7. Gently polish the lens surfaces until they are free of haze and lint.



Always dry the external surfaces thoroughly and carefully after cleaning them.

6. Technical Specifications

Dimensions and Weight	Length	Width	Height	Weight
	13.62 in (346 mm)	6.93 in (176 mm)	9.53 in (242 mm)	11.8 lb (5.4 kg)
Note: Dimensions in inches rounded to the nearest decimal digit.				
Power	Power Supply Type	Range		Voltage Selection
	Switching (internal)	100–240 VAC, 50/60 Hz		Auto-ranging
	Parameter	120 VAC, 60 Hz		230 VAC, 50 Hz
	Consumption	65 W		65 W
	Current	0.548 A		0.297 A
	Power linking current (products)	13.6 A (24 products)		8 A (45 products)
	Power I/O	U.S./Canada		Worldwide
	Power input connector	Seetronic Powerkon IP65		Seetronic Powerkon IP65
	Power output connector	Seetronic Powerkon IP65		Seetronic Powerkon IP65
	Power cord plug	Edison (U.S.)		Local plug
Light Source	Type	Power		Lifespan
	LED	60 W		50,000 hours
	Color	Quantity		Current
	quad-color RGBW	1		4 A
Photometrics	Parameter	Narrow Zoom		Wide Zoom
	Illuminance @ 5 m	4000 lux		75 lux
	Beam angle	4°		40°
	Field angle	8°		55°
Thermal	Max. External Temperature	Cooling System		
	113 °F (45 °C)	Convection		
DMX	I/O Connectors	Connector Type		Channel Range
	Seetronic IP65 5-pin XLR	Sockets		9, 12 or 17
Ordering	Product Name	Item Code		UPC Number
	COLORado 1 Solo	01031124		781462214722



UL 1573
 CSA C22.2 No. 166
 E113093



Returns Send the product prepaid, in the original box, and with the original packing and accessories. Chauvet will not issue call tags.
Call Chauvet and request a Return Merchandise Authorization (RMA) number before shipping the product. Be prepared to provide the model number, serial number, and a brief description of the cause(s) for the return.
Clearly label the package with an RMA number. Chauvet will refuse any product returned without an RMA number.



DO NOT write the RMA number directly on the box. Instead, write it on a properly affixed label.

Once you have received the RMA number, include the following information on a piece of paper inside the box:

- Your name
- Your address
- Your phone number
- The RMA number
- A brief description of the problem(s)

Be sure to pack the product properly. Any shipping damage resulting from inadequate packaging will be the customer's responsibility. FedEx packing or double-boxing is recommended.



Chauvet reserves the right to use its own discretion to repair or replace returned product(s).

Contact Us

USA WORLD HEADQUARTERS

General Information – Chauvet

Address: 5200 NW 108th Avenue
Sunrise, FL 33351

Voice: (954) 577-4455

Fax: (954) 929-5560

Toll free: (800) 762-1084

Technical Support

Voice: (954) 577-4455 (Press 4)

Fax: (954) 756-8015

Email: tech@chauvetlighting.com

World Wide Web www.chauvetlighting.com

EUROPE

General Information - Chauvet Europe BVBA

Address: Stokstraat 18
9770 Kruishoutem
Belgium

Voice: +32 9 388 93 97

Technical Support

Email: Eutech@chauvetlighting.eu

World Wide Web www.chauvetlighting.eu

General Information - Chauvet Europe Ltd.

Address: Unit 1C
Brookhill Road Industrial Estate
Pinxton, Nottingham, UK
NG16 6NT

Voice: +44 (0)1773 511115

Fax: +44 (0)1773 511110

Technical Support

Email: uktech@chauvetlighting.com

World Wide Web www.chauvetlighting.co.uk

MEXICO

General Information - Chauvet Mexico

Address: Av. Santa Ana 30
Parque Industrial Lerma
Lerma, Mexico C.P. 52000

Voice: +52 (728) 285-5000

Technical Support

Email: servicio@chauvet.com.mx

World Wide Web www.chauvet.com.mx

Outside the U.S., United Kingdom, Ireland, Mexico, or Benelux contact the dealer of record. Follow their instructions to request support or to return a product. Visit our website for contact details.