

SparkliteLED™

Quick Start Guide



CHAUVET®

Edition Notes

CHAUVET® released this edition of the SparkliteLED™ Quick Start Guide Rev. 03 in January 2012. This is a condensed version of the SparkliteLED™ User Manual, which users can download from CHAUVET® Web site (www.CHAUVET@lighting.com). This guide covers the safety precautions and installation instructions as well as the basic programming and operation of the SparkliteLED™ fixture.

Copyright Notice

No person, group of persons or entity can reproduce any part of this publication, store it in a retrieval system, or transmit it, in any form or by any means, whether mechanical, electronic, photocopying, recording, or otherwise, without prior written permission of CHAUVET®.

© **Copyright 2010 CHAUVET®**

All rights reserved

Printed in the People's Republic of China

Disclaimers

CHAUVET® believes that the information contained in this guide is accurate in all respects. However, CHAUVET® assumes no responsibility for any error or omissions in this document. CHAUVET® reserves the right to revise this document and to make changes from time to time in the content hereof without obligation of CHAUVET® to notify any person or company of such revision or changes. This does not constitute in any way a commitment by CHAUVET® to make such changes. CHAUVET® may issue a revision of this guide or a new edition of it to incorporate such changes.

Trademarks

SparkliteLED™ is a trademark of CHAUVET®. All other products names, brand names, or companies mentioned in the document that are not directly or indirectly related with CHAUVET® may be trademarks or enabled trademarks of their respective companies.

Intended Audience

CHAUVET® provides the SparkliteLED™ Quick Start Guide with each SparkliteLED™ fixture. Any person in charge of installing, operating and/or maintaining the SparkliteLED™ fixture should read this guide and the complete user manual in its entirety before installing, operating or maintaining the SparkliteLED™ fixture.

CHAUVET® Publications Hot Line

If you have any comments about the accuracy of this document or general suggestions regarding how we can improve it, please call us at (800) 762-1084 (US callers) or +1-954-929-1115 (international callers), ext. 43.

The latest versions of all CHAUVET® manuals are available at CHAUVET® Web Site (www.chauvetlighting.com).

Document Revision

The SparkliteLED™ Quick Start Guide Rev. 03 supersedes all previous versions of this document. Please discard any older versions of this manual you may have, whether in printed or electronic format, and replace them with this version.



TABLE OF CONTENTS

1. Before you Begin	2
WHAT IS INCLUDED.....	2
UNPACKING.....	2
TEXT RULES	2
ICONS	2
SAFETY NOTES.....	3
2. Introduction	4
SYSTEM DESCRIPTION.....	4
FIXTURE AT A GLANCE	4
PRODUCT OVERVIEW.....	5
3. Setup	7
AC POWER.....	7
REPLACING THE FUSE.....	7
MOUNTING.....	8
4. Operating Instructions	11
CONTROL PANEL	11
CONFIGURING PROCEDURE	11
MENU MAP	16
DMX CHANNEL VALUES.....	17
5. Technical Information	20
GENERAL MAINTENANCE	20
TROUBLESHOOTING.....	20
RETURNS PROCEDURE	20
CLAIMS	20
TECHNICAL SPECIFICATIONS	21

1. Before you Begin

What is Included

- Controller**
- SparkliteLED™ Controller
 - Power Cord
 - Warranty Card
 - User Manual




- Drape (sold separately)**
- SparkliteLED™ Drape (in a road case)
 - Drape link cable (50 feet)
 - Warranty Card

Unpacking Immediately upon receiving a fixture, carefully unpack the carton or road case, check the contents to ensure that all parts are present, and have been received in good condition. If you have detected a problem, see the SparkliteLED User Manual for complete instructions on how to make a claim.

Text Rules

RULE	MEANING
1~512	A range of values
50/60	A set of mutually exclusive values
[10]	A DIP switch to be configured
<SET>	A key to be pressed
Settings	A menu option that can be selected
MENU > Settings	A sequence of menu options
[1~10]	A range of values
Yes/No	A pair of mutually exclusive options
ON	A value to be entered or selected

Icons

ICONS	MEANING
	This icon indicates critical installation, configuration or operation information. Failure to comply with it may cause damage to the fixture or cause harm to the user.
	This icon indicates important installation or configuration information. Failure to comply with it may prevent the fixture from functioning correctly.
	This indicates useful, although non-critical, information.

Safety Notes

Please read the following safety instructions carefully because they include important safety information about the installation, usage and maintenance of this product.



There are no user serviceable parts inside the SparkliteLED™ controller or drape(s). Any reference to servicing them you may find from now on in this User Manual will only apply to properly CHAUVET® certified technicians. Do not open the controller or driver housing, or attempt any repairs, unless you are one of those technicians.



In the unlikely event that this fixture may require service, please contact CHAUVET® Technical Support at once.

- Keep this manual for future consultation. If you sell the fixture to another user, make sure that they also receive this manual.
- Always make sure that you are connecting the SparkliteLED™ controller to the proper voltage, as per the specifications in this manual or on the controller.
- Always disconnect the SparkliteLED™ controller and drape(s) from the power source before servicing.
- This product is for indoor use only! To prevent risk of fire or shock, do not expose the fixture to rain or moisture.
- Make sure there are no flammable materials close to the SparkliteLED™ controller or drape(s) while operating.
- Always secure the SparkliteLED™ drape(s) to a fastening device using a safety chain. Do the same if hanging the SparkliteLED™ controller.
- Maximum ambient temperature (Ta) is 104° F (40° C). Do not operate the fixture at a higher temperature.
- In the event of a serious operating problem, stop using the fixture immediately!
- Never connect the SparkliteLED™ controller to a dimmer pack.
- Make sure the power cord is not crimped or damaged.
- Never disconnect the power cord by pulling or tugging on the cord.
- Avoid direct eye exposure to the light source(s) while it is on.



Please refer to all applicable local codes and regulations for proper installation of this fixture.

2. Introduction

System Description

The SparkliteLED™ fixture consists of a SparkliteLED™ controller and up to four SparkliteLED™ drapes per controller. The SparkliteLED™ controller ships with no drapes. Therefore, the user will have to order the SparkliteLED™ drapes separately. For a complete description of this fixture, refer to the SparkliteLED User Manual.











Controller Features

- 12 or 24-channel DMX control
- Operating modes
 - 12-channel: LED sparking direction control, color mode, color macro, strobe, auto program, On/Off
 - 24-channel: RGB control per LED group
- RGB color mixing with or without DMX controller
- Recall custom programs via master/slave or DMX
- User configurable Auto Programs
- Configurable LED sparking direction and speed
- Configurable LED group sparking overlap time
- Configurable LED minimum and maximum luminosity
- Configurable color sets
- Master/Slave (proprietary serial link)
- Control panel with LCD display
- Static Playing

Drape Features

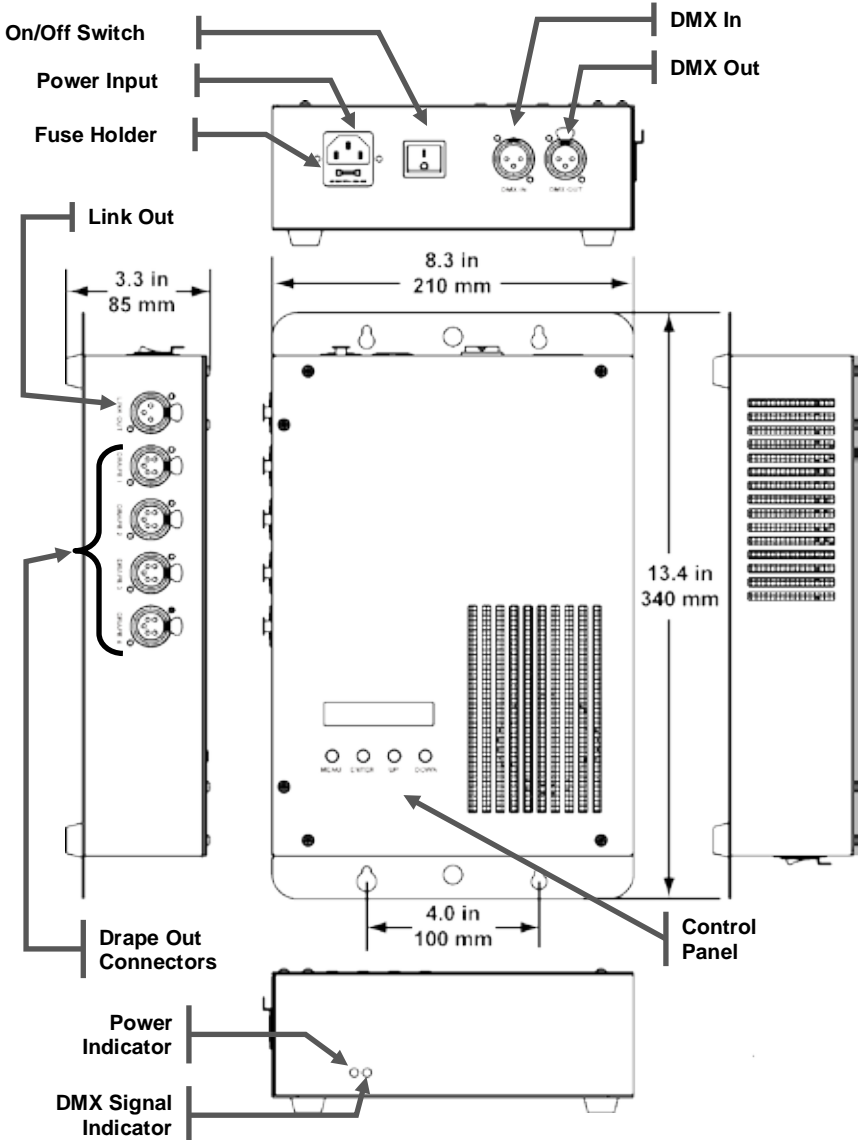
- 128 ¼ W RGB LEDs, arranged in eight groups of 16 LEDs each
- Fire retardant treatment
- Shipped in a flight case for extra protection

Fixture at a Glance

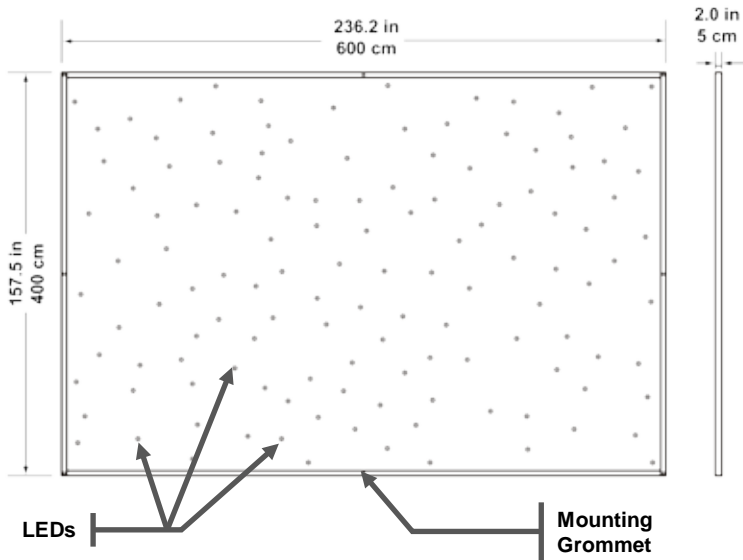
Use on Dimmer		Auto Programs	
Outdoor Use		Auto-ranging Power Supply	
Sound Activated		Replaceable Fuse	
DMX		User Serviceable	
Master/Slave		Duty Cycle	

Product Overview

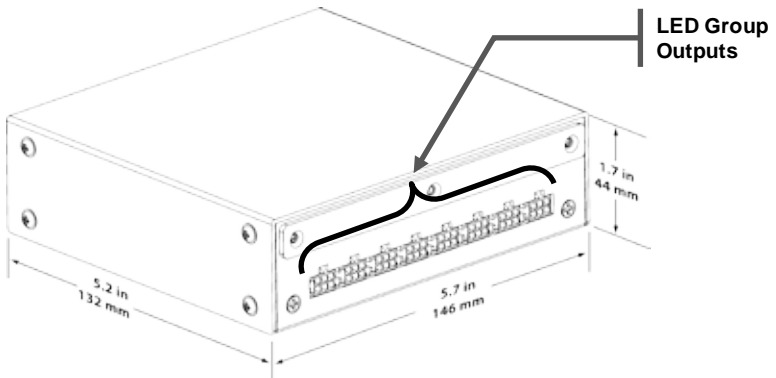
SparkliteLED™ Controller



SparkliteLED™ *Drape*



SparkliteLED™ *Driver Box*



3. Setup

AC Power This fixture has an auto-ranging power supply that can work with an input voltage range of 100~240 VAC, 50/60 Hz.



Always connect the fixture to a protected circuit with an appropriate electrical ground to avoid the risk of electrocution or fire.

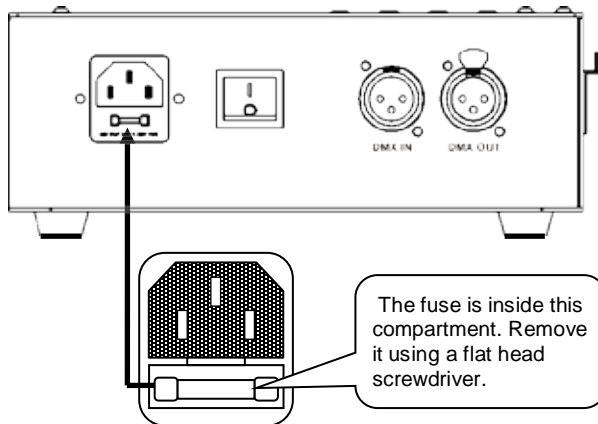
To determine the power requirements for this fixture, see the label affixed to the side of the fixture controller or refer to the fixture's specifications chart. The listed current rating indicates its maximum current draw with all four drapes installed and all LEDs in RGB at 100%. Please refer to the *Sizing the Circuit Breakers* section in the *Appendix* chapter of the SparkliteLED User Manual.



Never connect the fixture to a rheostat (variable resistor) or dimmer circuit, even if the rheostat or dimmer channel serves only as a 0 to 100% switch.

Replacing the Fuse

- With a flat head screwdriver, wedge the fuse holder out of its housing and remove the blown fuse from its holder.
- Replace the blown fuse with a fuse of the exact same type and rating.
- Insert the fuse holder back in its place, and reconnect power.



Disconnect the power cord before replacing the fuse and always replace it with a fuse of the same type and rating.

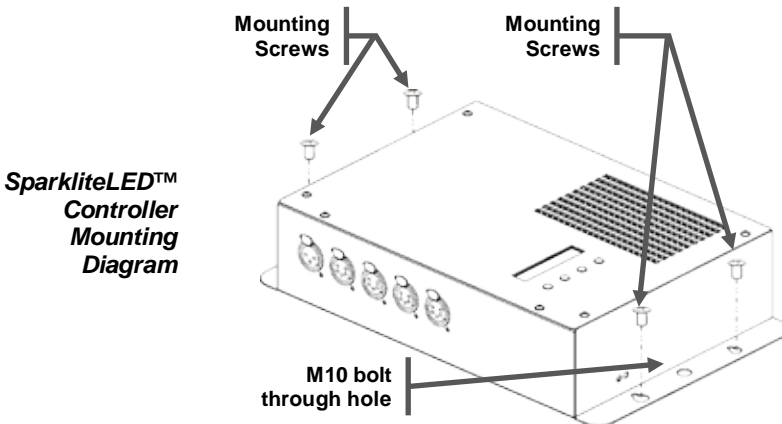
Mounting

Orientation Always mount this fixture in any safe position while making sure that there is adequate room around it for ventilation.

Rigging The SparkliteLED™ fixture consists of a controller unit and one to four LED drapes. Each of them has specific rigging specifications.

- When selecting an installation location, consider ease of access to the fixture for operation, programming adjustments and routine maintenance.
- Never mount the fixture in places where rain, high humidity, extreme temperature changes or restricted ventilation may affect it.
- Make sure that the location where you are mounting the fixture can support its weight. Please see the *Technical Specifications* section of this guide for the weight information of this fixture.

Mounting the Controller Mount the SparkliteLED™ controller on a flat, dry and rigid surface such as plywood or similar. You can also use clamps to mount the controller using the two M10 through holes in its base plate.



Mounting the Drapes Mount each SparkliteLED™ drape hanging from a truss or any other suitable anchoring device using safety steel cables through the mounting grommets on its sides (see diagram below).



Each SparkliteLED™ drape weighs 39.6 lbs (18 Kg) and because of its size, it may be difficult to handle by a single person. Always have someone help you with mounting the SparkliteLED™ drapes.

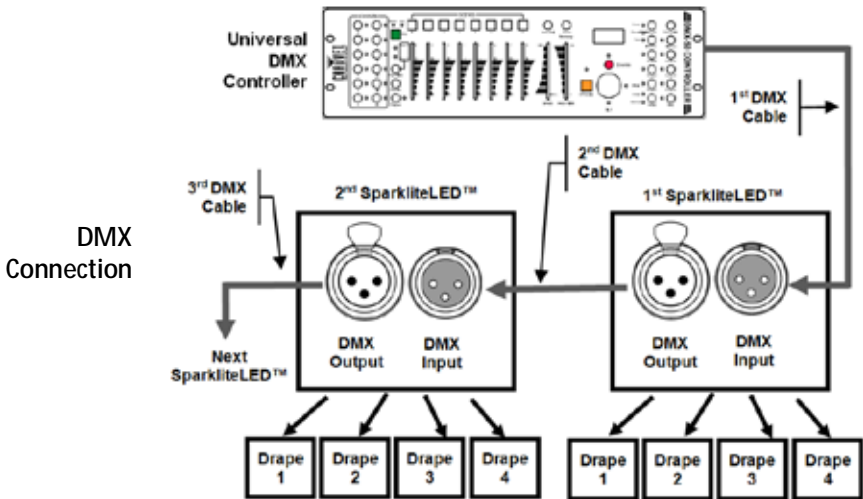
Fixture Linking

The SparkliteLED™ controller can operate in any of two modes, 12-channel or 24-channel. In both cases, the SparkliteLED™ controller links to a DMX controller and to other DMX compatible fixtures using DMX links. However, it is important to pay attention to the connection method for each of these modes.

DMX 24 Channel Mode

The DMX 24-Channel mode allows each SparkliteLED™ controller to determine the RGB color for each of the eight LED groups on the drapes. This mode is appropriate for applications in which the SparkliteLED™ runs under manual control from a DMX controller.

The DMX 24 Channel mode can run on any of the two connection modes, standard DMX or proprietary serial link. See the picture below to see how to use the standard DMX connection.



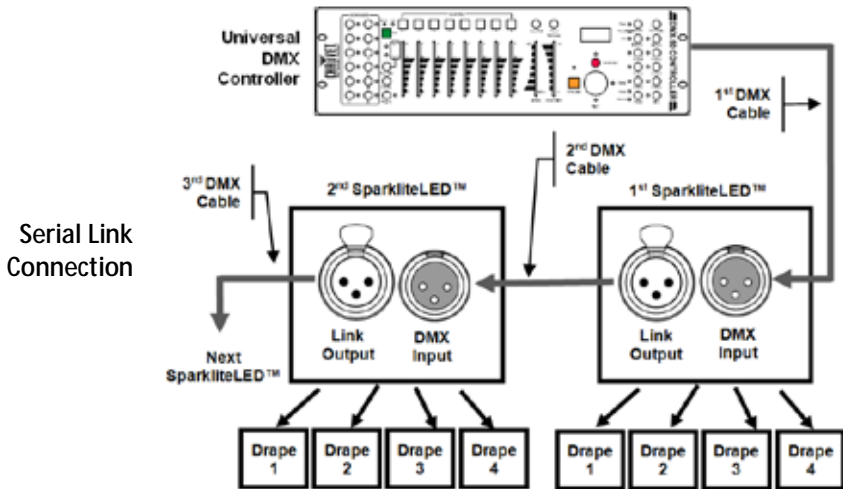
Serial Link

The SparkliteLED™ proprietary serial link connection method uses a different signal output connector, labeled "Link Output", on each controller. The proprietary serial link is the connection method used with the DMX 12-Channel and Master/Slave modes. See the pictures on page 10 to see how to use the proprietary serial link connection for the DMX 12-channel mode and the Master/Slave mode.

DMX 12 Channel Mode

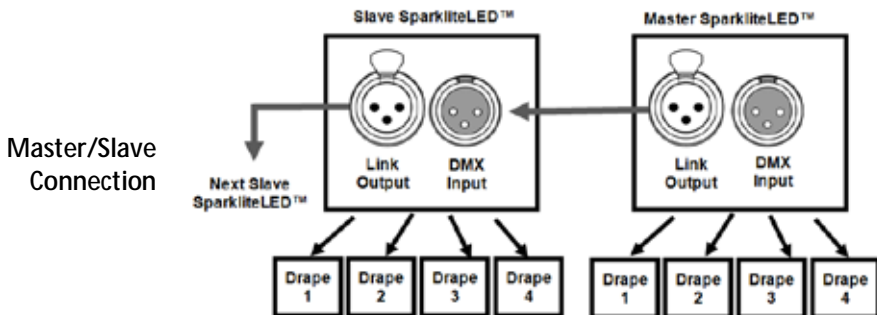
When using multiple SparkliteLED™ controllers, the DMX 12 Channel mode can only run if the SparkliteLED™ controllers use the proprietary serial link connection.

This mode is appropriate for applications in which the SparkliteLED™ runs under automatic programs.



Master/Slave Mode

The Master/Slave mode allows one SparkliteLED™ controller (the master) running a preconfigured program to control several SparkliteLED™ controllers (the slaves) without requiring a DMX controller. In this mode, the drapes connected to the master and slave SparkliteLED™ controllers will operate in unison.



4. Operating Instructions

Control Panel

The SparkliteLED™ controller has a control panel to configure its functions. You can access these functions by using the four panel buttons located directly under the LCD Display. The table below explains the functions of those buttons.

Button	Function
<MENU>	Used to access the menu or to return to a previous menu option
<ENTER>	Selects a menu option
<UP>	Scrolls through menu options in ascending order
<DOWN>	Scrolls through menu options in descending order

Configuring Procedure

To start configuring the SparkliteLED™ controller, the display must show **MENU**. If **MENU** does not show on the display, press <MENU> repeatedly until **MENU** appears.

This is the top of the menu map. At this point, <ENTER>, <UP> and <DOWN> will not work.

12-Channel DMX Mode

- Press <MENU> repeatedly until the display shows **12CH DMX Mode**.
- Press <ENTER>. The display will show **[SET] select**.
- Press <ENTER> again. The display will show **12CH DMX512**.



If using multiple SparkliteLED™ controllers in the 12CH DMX Mode, remember to connect them using the proprietary serial link, not the standard DMX link.

24-Channel DMX Mode

- Press <MENU> repeatedly until the display shows **24CH DMX Mode**.
- Press <ENTER>. The display will show **[SET] select**.
- Press <ENTER> again. The display will show **24CH DMX512**.

Auto Mode Playing

- Press <MENU> repeatedly until the display shows **Auto**.
- Press <ENTER>. The display will show **Program [1]**.
- To select another Auto Programs (2~8), press <UP> or <DOWN>.
- Press <ENTER> again. The display will show **Edit**. At this point, the SparkliteLED™ controller will play the selected program.
- Press <MENU> to leave the selected program running. The display will show the selected program.

Auto Mode Programming

- With the display showing **Edit**, press **<ENTER>**. The display will show **Pattern type**.
- Press **<ENTER>** to change the pattern type.
- Press **<UP>** or **<DOWN>** to select any of the other parameters

Pattern Type

LED sparking direction patterns (1-7) or LED Strobe mode

- With the display showing **Pattern type**, press **<ENTER>**. The display will show **MODE (1)**.
- To select any of the other pattern types, press **<UP>** or **<DOWN>**.
- To activate the selected pattern type, press **<ENTER>**. The display will briefly show **OK select** and it will return to showing **Pattern type**.
- Press **<DOWN>** to select the next parameter or **<MENU>** to exit.

Cross Time

LED sparking overlap time (Mode 1-7) or strobe frequency (Strobe mode)

- With the display showing **Cross time**, press **<ENTER>**. The display will show the current value (**0-255**).
- Press **<UP>** or **<DOWN>** to change the value.
- To activate the selected value, press **<ENTER>**. The display will briefly show **OK select** and it will return to showing **Cross time**.
- Press **<DOWN>** to select the next parameter or **<MENU>** to exit to the previous level.

Speed

Color change speed

- With the display showing **Speed**, press **<ENTER>**. The display will show the current value (**0-255**).
- Press **<UP>** or **<DOWN>** to change the value.
- To activate the selected value, press **<ENTER>**. The display will briefly show **OK select** and it will return to showing **Speed**.
- Press **<DOWN>** to select the next parameter or **<MENU>** to exit to the previous level.

Minimum

Minimum LED brightness value

- With the display showing **Minimum**, press **<ENTER>**. The display will show the current value (**0-255**).
- Press **<UP>** or **<DOWN>** to change the value.
- To activate the selected value, press **<ENTER>**. The display will briefly show **OK select** and it will return to showing **Minimum**.
- Press **<DOWN>** to select the next parameter or **<MENU>** to exit to the previous level.

Maximum

Maximum LED brightness value

- With the display showing **Maximum**, press **<ENTER>**. The display will show the current value (**0-255**).
- Press **<UP>** or **<DOWN>** to change the value.
- To activate the selected value, press **<ENTER>**. The display will briefly show **OK select** and it will return to showing **Maximum**.
- Press **<DOWN>** to select the next parameter or **<MENU>** to exit to the previous level.

Number of Colors

Selects the number of colors and the mode (static or dynamic), or all colors (RGB)



Color modes 1-4 are static (one, two, three or four colors, respectively). Color modes 5-7 are dynamic (four, three or two colors, respectively). Color mode 8 is for all colors (RGB).

- With the display showing **Number colors**, press **<ENTER>**.
The lower row of the display will show **1 Color mode**.
- Alternatively, to select any of the other color modes (**2-7 Color** or **Full Color**), press **<UP>** or **<DOWN>**.
- To activate the selected color mode, press **<ENTER>**.
The display will briefly show **OK select** and it will return to showing **Number colors**.
- Press **<DOWN>** to select the next parameter or **<MENU>** to exit to the previous level.

Set color (1-4)

Assigns a color to Color 1, Color 2, Color 3 and Color 4, respectively.



*When selecting "1 Color" above, only configure Color 1.
When selecting "2 Colors" above, only configure Color 1 and Color 2. When selecting "3 Colors" above, configure Color 1-3.
When selecting "4 Colors" above, configure Color 1-4.
When selecting "Full Color" above, do not configure any color in this step.*

- With the display showing **Set color 1-4**, press **<ENTER>**.
The lower row of the display will show the current set color 1-4 value (**0-255**).
- Press **<UP>** or **<DOWN>** to change the value.
- To activate the selected set color, press **<ENTER>**.
The display will briefly show **OK select** and it will return to showing **Set color 1**.
- Press **<DOWN>** to select the next set color parameter (**2, 3, or 4**) or **<MENU>** to exit to the previous level.

Exiting Auto Mode Programming

- Once done programming all Auto Mode parameters, press **<MENU>** to back up from the latest parameter.
The upper row of the display will show the current **Program** number, while the lower row will show **[SET] save**.
- Press **<ENTER>** to save the changes to the current program or **<MENU>** to exit without saving.



When you configure the SparkliteLED™ controller to work in Auto Mode, it automatically assumes the “master” function in a Master/Slave connection.

Master/Slave Mode

This mode only applies to the SparkliteLED™ controllers connected behind a SparkliteLED™ controller set as “master” (*Auto Mode*) using the proprietary serial link.

- With **MENU** showing on the display, press **<MENU>** four times. The display will show **Slave mode**, while the lower row will show **[SET] select**.
- Press **<ENTER>** to activate the Slave Mode. The upper row of the display will show **Slave**, while the lower row will briefly show **OK select** and it will clear afterwards.



If using multiple SparkliteLED™ controllers configured in Master/Slave Mode, you must connect them using the proprietary serial link.

Settings

- With **MENU** showing on the display, press **<MENU>** five times.
The display will show **Settings**.
- Press **<ENTER>**.
The display will show **SET DMX address**.
- Alternatively, to select the other setting (*Allow edit PROG*), press **<UP>** or **<DOWN>**.

Starting DMX Address

DMX Address of the first fixture's DMX channel (See "DMX Primer")

- With the display showing **SET DMX address**, press **<ENTER>**. The lower row of the display will show the current starting DMX address (1~512).
- Press **<UP>** or **<DOWN>** to change the starting DMX address.
- Press **<ENTER>** to accept the new starting DMX address. The upper row of the display will show **SET DMX address**, while the lower row will show the current setting (1~512).
- To activate the new starting DMX address, press **<ENTER>**. The display will briefly show **OK save** and it will return to showing **SET DMX address**.
- Press **<DOWN>** to select the other setting parameter (*Allow edit PROG*) or **<MENU>** to exit to the previous level.

Allow Edit PROG

Auto Program modifications enabled/disabled

- With the display showing **Allow edit PROG**, press **<ENTER>**. The lower row of the display will show **[YES] NO**. The selected option will show between brackets.
- Alternatively, press **<UP>** or **<DOWN>** to change the selected option to **[NO]**.
- To activate the selected option, press **<ENTER>**. The display will briefly show **OK save** and it will return to showing **Allow edit PROG**.
- Press **<DOWN>** to select the other setting parameter (*Starting DMX address*) or **<MENU>** to exit to the previous level.

Menu Map

1 st Level	2 nd Level	3 rd Level	4 th Level	Description
12 CH DMX mode	[SET] select	12 CH DMX	N/A	Selects the 12-channel DMX mode
24 CH DMX mode	[SET] select	24 CH DMX	N/A	Selects the 24-channel DMX mode
Auto	Program 1-8	Pattern type	Mode 1-7	Selects an LED sparking direction
			Strobe mode	Activates the LED strobe mode
		Cross time	0-255	LED spark duration or strobe frequency
		Speed		Color change speed when in Strobe
		Minimum		Minimum LED brightness
		Maximum		Maximum LED brightness
		Number colors	Color mode	Selects the number of colors (1-4), and the color mode (dynamic or static)
			Color flow	
		Full color	Selects all RGB colors	
		Set color 1	N/A	Defines Color 1
		Set color 2		Defines Color 2
		Set color 3		Defines Color 3
Set color 4	Defines Color 4			
Slave mode	[SET] select	Slave	N/A	Enables the slave mode
	Allow Edit PROG	YES/No	N/A	Enables Auto Program editing

DMX Channel Values

<i>12-Channel Mode</i>	Channel	Function	Value	Percent/Setting
	1	LED sparking pattern	000 ∘ 031	LED sparking pattern 1
			032 ∘ 063	LED sparking pattern 2
			064 ∘ 091	LED sparking pattern 3
			092 ∘ 127	LED sparking pattern 4
			128 ∘ 159	LED sparking pattern 5
			160 ∘ 191	LED sparking pattern 6
			192 ∘ 223	LED sparking pattern 7
		Strobe mode	224 ∘ 255	Strobe
	2	Overlap time (Mode 1-7 active)	000 ∘ 255	0-100%
		Strobe frequency (Strobe active)		0-20 Hz
	3	Color change speed	000 ∘ 255	0-100%
	4	Min. LED brightness		
	5	Max. LED brightness		
	6	Color Modes	000 ∘ 031	One-Color Static Mode
		Channel 6 determines the number of colors and the way they will show (static or dynamic), or all RGB colors	032 ∘ 063	Two-Color Static Mode
			064 ∘ 095	Three-Color Static Mode
			096 ∘ 127	Four-Color Static Mode
			128 ∘ 159	Four-Color Flow Mode
			160 ∘ 191	Three-Color Flow Mode
			192 ∘ 223	Two-Color Flow Mode
			224 ∘ 255	Full Color (RGB)
7, 8, 9 & 10	Color selection	000 ∘ 009	Red	
		010 ∘ 019	Yellow	
		020 ∘ 029	Green	
		030 ∘ 039	Cyan	
		040 ∘ 049	Blue	
		050 ∘ 059	Purple	
		060 ∘ 069	White	
		070 ∘ 079	Orange	
		080 ∘ 089	Pale green	
		090 ∘ 099	Deep cyan	
		100 ∘ 109	Pale blue	
		110 ∘ 119	Deep pink	
		Ch 7 selects Color 1		
		Ch 8 selects Color 2		
		Ch 9 selects Color 3		
Ch 10 selects Color 4				

12-Channel Mode (Cont.)

Channel	Function	Value	Percent/Setting		
7, 8, 9 & 10 (Cont.)	Color selection Ch 7 selects Color 1 Ch 8 selects Color 2 Ch 9 selects Color 3 Ch 10 selects Color 4	120 ○ 129	Pale purple		
		130 ○ 139	Pale pink		
		140 ○ 149	Milky green		
		150 ○ 159	Milky blue		
		160 ○ 169	Milky purple		
		170 ○ 179	Sky blue		
		180 ○ 189	Milky sky blue		
		190 ○ 199	Dawn purple		
		200 ○ 209	Morning sky blue		
		210 ○ 219	Autumn green		
		220 ○ 229	Milky yellow		
		230 ○ 255	RGB MAX		
		11	Starts and stops the user configured programs	000 ○ 010	Reset
				011 ○ 030	Program [1]
031 ○ 040	Reset				
041 ○ 060	Program [2]				
061 ○ 070	Reset				
071 ○ 090	Program [3]				
091 ○ 100	Reset				
101 ○ 120	Program [4]				
121 ○ 130	Reset				
131 ○ 150	Program [5]				
151 ○ 160	Reset				
161 ○ 180	Program [6]				
181 ○ 190	Reset				
191 ○ 210	Program [7]				
211 ○ 220	Reset				
221 ○ 255	Program [8]				
12	Turns all the LEDs on or off	000 ○ 127	OFF		
		128 ○ 255	ON		



- If Ch 6 is in "One-Color Mode," only Color 1 (Ch 7) will show.
- If Ch 6 is in "Two-Color Mode," only Color 1 and 2 (Ch 7 and 8) will show.
- If Ch 6 is in "Three-Color Mode," only Color 1-3 (Ch 7- 9) will show.
- If Ch 6 is in "Four-Color Mode," Color 1-4 (Ch 7-10) will show.



Choose the 12-channel DMX mode for automatic operation. Although you will be able to change the modes from a DMX controller, keep in mind that the changes will not be immediate, as the controller needs to wait for the current sequence to end.

24-Channel Mode

Channel	Value	Percent/Setting	Function
1	000 ○ 255	1st Group Red Color	RGB Color Control (per LED group)
2	000 ○ 255	1st Group Green Color	
3	000 ○ 255	1st Group Blue Color	
4	000 ○ 255	2nd Group Red Color	
5	000 ○ 255	2nd Group Green Color	
6	000 ○ 255	2nd Group Blue Color	
7	000 ○ 255	3rd Group Red Color	
8	000 ○ 255	3rd Group Green Color	
9	000 ○ 255	3rd Group Blue Color	
10	000 ○ 255	4th Group Red Color	
11	000 ○ 255	4th Group Green Color	
12	000 ○ 255	4th Group Blue Color	
13	000 ○ 255	5th Group Red Color	
14	000 ○ 255	5th Group Green Color	
15	000 ○ 255	5th Group Blue Color	
16	000 ○ 255	6th Group Red Color	
17	000 ○ 255	6th Group Green Color	
18	000 ○ 255	6th Group Blue Color	
19	000 ○ 255	7th Group Red Color	
20	000 ○ 255	7th Group Green Color	
21	000 ○ 255	7th Group Blue Color	
22	000 ○ 255	8th Group Red Color	
23	000 ○ 255	8th Group Green Color	
24	000 ○ 255	8th Group Blue Color	



Choose the 24-channel DMX mode for a faster and more flexible control from a DMX controller.

5. Technical Information

General Maintenance

Download the SparkliteLED User Manual and refer to the *Technical Information* chapter for a description on how to maintain this fixture



Always dry the external optics and glass surfaces carefully after cleaning them.



Never spin a fan using compressed air.

Troubleshooting

Download the SparkliteLED User Manual and refer to the *Technical Information* chapter for a description on how to troubleshoot this fixture



If you need help troubleshooting your fixture, contact CHAUVET® Technical Support.

Returns Procedure

Download the SparkliteLED User Manual and refer to the *Technical Information* chapter for a description on how to return this fixture to CHAUVET®.

Claims

Download the SparkliteLED User Manual and refer to the *Technical Information* chapter for a description on how to make a claim regarding this fixture if you received it damaged during shipping.

Contact Us

World Wide

General Information

Chauvet Lighting
5200 NW 108th Avenue
Sunrise, FL 33351
Voice: (954) 929-1115
Fax: (954) 929-5560
Toll free: (800) 762-1084

Technical Support

Voice: (954) 929-1115 (Press 4)
Fax: (954) 929-5560 (Attention: Service)

World Wide Web

www.chauvetlighting.com

Technical Specifications

Controller

Length	13.3 in (340 mm)
Width	3.9 in (100 mm)
Height	3.3 in (85 mm)
Weight	8.8 lbs (4.0 kg)

Drape

Length	236.2 in (600 cm)
Width	157.4 in (400 cm)
Thickness	1.9 in (5 cm)
Weight	39.6 lbs (18.0 kg)

Power

Auto-range internal power supply	100~240 VAC, 50/60 Hz
Fuse	F 5 A, 250 V (5 x 20 mm)
Power Consumption @ 120 VAC, 60 Hz	106 VA (0.9 A) max
Power Consumption @ 230 VAC, 50 Hz	177 VA (0.8 A) max

Light Source

LED (per drape)	128 RGB, ¼ W, 5 mm diameter, 100,000 hrs
-----------------------	------------------------------------------

Controller cooling

Cooling system	Fan (inside power supply)
Maximum operating temperature	104° F (40° C)

Drape Fire Resistance Treatment

Fire retardant type	FR-1 (non-toxic)
Fire retardant duration	10 dry cleaning procedures
Standard compliance	NFPA 701 Small Scale
Other regulatory approvals	State of California
.....	BFD, NYPA & CoMA

Control & Programming

DMX input	Locking 3-pin XLR male socket
DMX output	Locking 3-pin XLR female socket
DMX pin configuration	Pin 1 shield, pin 2 (-), pin 3 (+)
Serial Link Out	Locking 3-pin XLR female socket
Drape Out.....	Locking 5-pin XLR female socket
Protocols	USITT DMX512-A
.....	Proprietary serial link
DMX Channels.....	User Configurable: 12 or 24 channels

Ordering Information

SparkliteLED™ Controller	SPARKLITELEDCON
SparkliteLED™ Drape	SPARKLITELEDDRAPE

WARRANTY INFORMATION

Warranty.....	2-year limited warranty
---------------	-------------------------

CHAUVET®

3000 N 29th Ct,
Hollywood, FL 33020 U.S.A.
(800) 762-1084 – (954) 929-1115
FAX (954) 929-5560
www.chauvetlighting.com

SparkliteLED™ Quick Start Guide Rev. 03
January 2012

