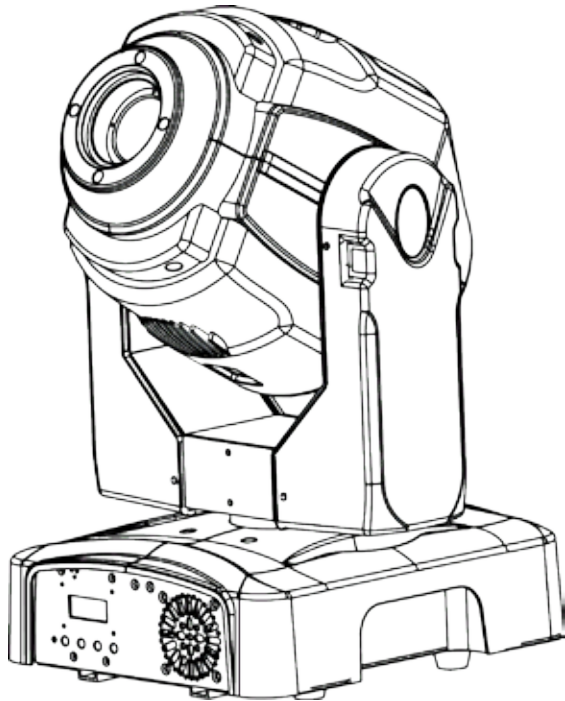


Q-SPOT 260-LED

Quick Reference Guide



CHAUVET®

It's Green Thinking

About this Guide

This Q-Spot 260-LED Quick Reference Guide only contains the fixture’s connection and mounting information as well as the menu options and the tables with the DMX values. This document does not replace the product manual. Download the corresponding User Manual, from the CHAUVET® Web site (www.chauvetlighting.com) to learn about the disclaimers, safety notes and technical information as well as the unpacking, maintenance and claiming procedures.

Fixture at a Glance

Use on Dimmer	X	Auto Programs	P
Outdoor Use	X	Auto-ranging Power Supply	P
Sound Activated	P	Replaceable Fuse	P
DMX	P	User Serviceable	X
Master/Slave	P	Duty Cycle	X

What is Included

- One Q-Spot 260-LED
- One IEC power cord with Edison plug
- Two mounting brackets
- One warranty card
- One Quick Reference Guide

Features

- 11 or 14-channel DMX-512 LED moving yoke
- Pan: 540° / tilt: 270°
- Color wheel:
 - 8 colors + white
 - Rainbow color spin at variable speeds
- Gobo wheel 1:
 - Gobo shake
 - 9 gobos + open
 - Gobo wheel spin at variable speeds
- Gobo wheel 2:
 - Indexed, rotating gobo wheel with gobo shake
 - 7 slot-n-lock gobos + open
 - 2 glass, 5 metal
 - Rotating gobo wheel spin at variable speeds
- 3-facet, high-speed rotating prism at variable speeds
- Variable electronic shutter (for strobing)
- Variable electronic dimmer (0 – 100%)
- Remote fixture reset & vector speed channel
- 255 user-programmable steps without DMX controller
- Move-in-black for pan/tilt
- Built-in automated programs
- Built-in sound activated programs
- High-powered, 60 W (12.6 A) LED
- Easy access door for gobo change
- User-selectable pan/tilt ranges
- Automatic pan & tilt correction
- User-selectable basic or advanced operating DMX modes

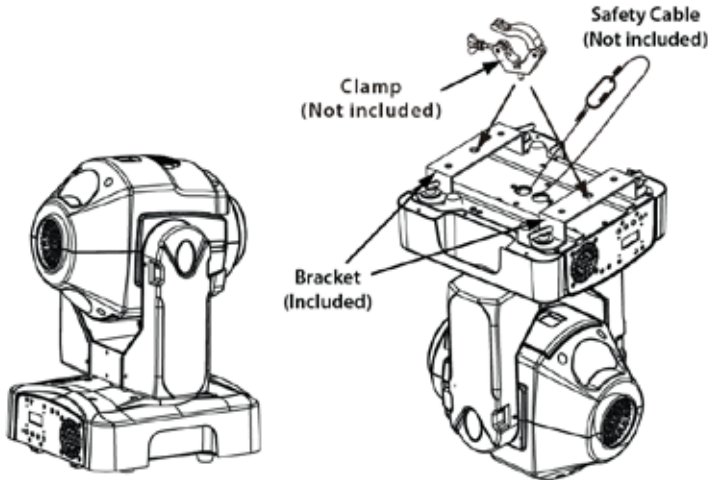
AC Power This product has an auto-ranging power supply that can work with an input voltage range of 100~240 VAC, 50/60 Hz.

- Fuse Replacement**
- 1) With a flat head screwdriver, wedge the fuse holder out of its housing and remove the blown fuse from its holder.
 - 2) Replace the blown fuse with a fuse of the exact same type and rating.
 - 3) Insert the fuse holder back in its place, and reconnect power.

- Gobo Replacement**
- 1) Unlock the gobo cover and slide it away.
 - 2) Take the target gobo out of the gobo wheel.
 - 3) Install the new rotating gobo.
 - 4) Slide and lock the gobo cover.

Mounting Before mounting this product, read the safety notes at the beginning of the corresponding user manual and follow the mounting procedures in it.

Product Mounting Diagram



Upright Mounting

Overhead Mounting

Control Panel Description

Button	Function
<MENU>	Exits from the current menu or function
<ENTER>	Enables the currently displayed menu or sets the currently selected value into the selected function
<UP>	Navigates upwards through the menu list and increases the numeric value when in a function
<DOWN>	Navigates downwards through the menu list and decreases the numeric value when in a function

Menu Options

Main Level	2 nd Level	3 rd Level	Description	
1. INTRO	ADDRESS	001~512	Selects a starting DMX address	
	RESET	NO/YES	Resets the fixture's custom settings	
	RUN		DMX512	Selects DMX512-A running mode
			AUTO 1	Selects the first automatic program
			AUTO 2	Selects the second automatic program
			SOUND 1	Selects the first sound activated program
			SOUND 2	Selects the second sound program
			CUSTOM	Selects the user customizable program
			TEST	Selects the fixture's test sequence
	SLAVE	Selects the Slave running mode		
	CHANNELS		BASIC	Selects the 11-channel DMX mode
			ADVANCED	Selects the 14-channel DMX mode
	DISPLAY		60 CLOSE	Turns off the display after 60 s
			BRIGHT	Keeps the display on
KEYLOCK		NO/YES	Activates the control panel password	
INFO		EDITION	Shows the version of the installed S/W	
2. INVERT	PAN	NORMAL/REVERSE	Defines the pan direction	
	TILT	NORMAL/REVERSE	Defines the tilt direction	
	COLOR		STEP	The color wheel moves in steps
			LINEAR	The color wheel moves smoothly
	USE		NO/YES	Activates the changes
3. RANGE	P/START	000~255	Sets the pan start point (restricted range)	
	P/FINISH	000~255	Sets the pan end point (restricted range)	
	T/START	000~255	Sets the tilt start point (restricted range)	
	T/FINISH	000~255	Sets the tilt end point (restricted range)	
	USE		000~255	Activates the changes
4. SPECIAL	BLACK		NO/YES	Activates the move-in black delay (3 s)
	RESET	DMX		The DMX controller can reset the fixture
		SYSTEM		The control panel can reset the fixture
5. EDIT	STEP	000~255	Selects the program step	
	PAN	000~255	Selects the pan position	
	TILT	000~255	Selects the tilt position	
	XYSPEED	000~255	Selects the pan/tilt speed	
	COLOR	000~255	Selects the color (color wheel)	
	GOBO 1	000~255	Selects a fixed gobo (static or shake)	
	GOBO 2	000~255	Selects a rotating gobo (static or shake)	
	GOBO 2 ROT	000~255	Selects the gobo rotation mode	
	PRISM	000~255	Selects the prism rotation mode	
	FOCUS	000~255	Selects a focus point	
	DIMMER	000~255	Selects the dimmer value	
	STROBE	000~255	Selects the strobe frequency and mode	
	TIME	000~255	Selects the step duration	
	USE		NO/YES	Activates the changes
6. Default	DEFAULT		NO/YES	Defaults the fixture to factory settings

Default (non-modifiable) password: <UP>, <DOWN>, <UP>, <DOWN> and <ENTER>.

DMX Values

<i>Advanced</i>	Channel	Function	Value	Percent/Setting
	1	Pan	000 ó 255	0~540°
	2	Pan Fine	000 ó 255	Fine movement control
	3	Tilt	000 ó 255	0~270°
	4	Tilt Fine	000 ó 255	Fine movement control
	5	Pan/Tilt Speed	000 ó 255	Fast~Slow
	6	Color Wheel	000 ó 016	White
			017 ó 033	Red
			034 ó 050	Yellow
			051 ó 067	Magenta
			068 ó 084	Green
			085 ó 101	Orange
			102 ó 118	Blue
			119 ó 135	Light blue
			136 ó 152	Light green
			153 ó 255	Rainbow or linear effect
	7	Fixed Gobo Wheel	000 ó 009	No gobo
			010 ó 019	Gobo 1
			020 ó 029	Gobo 2
			030 ó 039	Gobo 3
			040 ó 049	Gobo 4
			050 ó 059	Gobo 5
			060 ó 069	Gobo 6
			070 ó 079	Gobo 7
			080 ó 089	Gobo 8
			090 ó 099	Gobo 9
			100 ó 114	Shaking gobo 9
			115 ó 129	Shaking gobo 8
			130 ó 144	Shaking gobo 7
			145 ó 159	Shaking gobo 6
			160 ó 174	Shaking gobo 5
			175 ó 189	Shaking gobo 4
			190 ó 204	Shaking gobo 3
	205 ó 219	Shaking gobo 2		
	220 ó 234	Shaking gobo 1		
	235 ó 255	Flow effect		
	8	Rotating Gobo Wheel	000 ó 009	No gobo
			010 ó 019	Gobo 1
			020 ó 029	Gobo 2
			030 ó 039	Gobo 3
			040 ó 049	Gobo 4
			050 ó 059	Gobo 5
			060 ó 069	Gobo 6
			070 ó 079	Gobo 7
			080 ó 099	Shaking gobo 7
			100 ó 119	Shaking gobo 6
			120 ó 139	Shaking gobo 5
			140 ó 159	Shaking gobo 4
			160 ó 179	Shaking gobo 3
			180 ó 199	Shaking gobo 2
			200 ó 219	Shaking gobo 1
			220 ó 255	Flow effect

Q-Spot 260-LED QRG

Advanced (Cont.)	Channel	Function	Value	Percent/Setting
	9	Gobo Rotation	000 ◊ 060	Gobo indexing
			061 ◊ 158	CW rotation (Slow~Fast)
			159 ◊ 255	CCW rotation (Slow~Fast)
	10	Rotating Prism	000	No function
			001 ◊ 004	Prism engaged (no rotation)
			005 ◊ 127	CCW rotation (Slow~Fast)
			128 ◊ 132	No function
			133 ◊ 255	CW rotation (Slow~Fast)
	11	Focus	000 ◊ 255	
	12	Dimmer	000 ◊ 255	Dark~Bright
	13	Strobe	000 ◊ 031	Close
			032 ◊ 063	Open
			064 ◊ 095	Strobe (Slow~Fast)
			096 ◊ 127	Open
			128 ◊ 159	Pulse strobe effect (Slow~Fast)
			160 ◊ 191	Open
			192 ◊ 223	Random strobe effect (Slow~Fast)
			224 ◊ 255	Open
	14	Control	000 ◊ 019	No function
			020 ◊ 039	Pan/tilt black activation (3 s delay)
			040 ◊ 059	Pan/tilt black deactivation (3 s delay)
			060 ◊ 079	Auto 1 (3 s delay)
			080 ◊ 099	Auto 2 (3 s delay)
			100 ◊ 119	Sound 1(3 s delay)
			120 ◊ 139	Sound 2(3 s delay)
			140 ◊ 159	Custom
			160 ◊ 179	Test (3 s delay)
			180 ◊ 199	No function
			200 ◊ 219	Reset (3 s delay)
220 ◊ 255	No function			

Basic	Channel	Function	Value	Percent/Setting
	1	Pan	000 ◊ 255	0~540°
	2	Tilt	000 ◊ 255	0~270°
	3	Color Wheel	000 ◊ 016	White
			017 ◊ 033	Red
			034 ◊ 050	Yellow
			051 ◊ 067	Magenta
			068 ◊ 084	Green
			085 ◊ 101	Orange
			102 ◊ 118	Blue
			119 ◊ 135	Light blue
			136 ◊ 152	Light green
			153 ◊ 255	Rainbow or linear effect
	4	Fixed Gobo Wheel	000 ◊ 009	No gobo
			010 ◊ 019	Gobo 1
			020 ◊ 029	Gobo 2
			030 ◊ 039	Gobo 3
			040 ◊ 049	Gobo 4
			050 ◊ 059	Gobo 5
			060 ◊ 069	Gobo 6
			070 ◊ 079	Gobo 7
			080 ◊ 089	Gobo 8
			090 ◊ 099	Gobo 9
100 ◊ 114	Shaking gobo 9			

**Basic
(Cont.)**

Channel	Function	Value	Percent/Setting
4 (Cont.)		115 ◊ 129	Shaking gobo 8
		130 ◊ 144	Shaking gobo 7
		145 ◊ 159	Shaking gobo 6
		160 ◊ 174	Shaking gobo 5
		175 ◊ 189	Shaking gobo 4
		190 ◊ 204	Shaking gobo 3
		205 ◊ 219	Shaking gobo 2
		220 ◊ 234	Shaking gobo 1
		235 ◊ 255	Flow effect
5	Rotating Gobo Wheel	000 ◊ 009	No gobo
		010 ◊ 019	Gobo 1
		020 ◊ 029	Gobo 2
		030 ◊ 039	Gobo 3
		040 ◊ 049	Gobo 4
		050 ◊ 059	Gobo 5
		060 ◊ 069	Gobo 6
		070 ◊ 079	Gobo 7
		080 ◊ 099	Shaking gobo 7
		100 ◊ 119	Shaking gobo 6
		120 ◊ 139	Shaking gobo 5
		140 ◊ 159	Shaking gobo 4
		160 ◊ 179	Shaking gobo 3
		180 ◊ 199	Shaking gobo 2
		200 ◊ 219	Shaking gobo 1
220 ◊ 255	Flow effect		
6	Gobo Rotation	000 ◊ 060	Gobo indexing
		061 ◊ 158	CW rotation (Slow~Fast)
		159 ◊ 255	CCW rotation (Slow~Fast)
7	Rotating Prism	000	No function
		001 ◊ 004	Prism engaged (no rotation)
		005 ◊ 127	CCW rotation (Slow~Fast)
		128 ◊ 132	No function
133 ◊ 255	CW rotation (Slow~Fast)		
8	Focus	000 ◊ 255	
9	Dimmer	000 ◊ 255	Dark ◊ Bright
10	Strobe	000 ◊ 031	Close
		032 ◊ 063	Open
		064 ◊ 095	Strobe (Slow~Fast)
		096 ◊ 127	Open
		128 ◊ 159	Pulse strobe effect (Slow~Fast)
		160 ◊ 191	Open
		192 ◊ 223	Random strobe effect (Slow~Fast)
224 ◊ 255	Open		
11	Control	000 ◊ 019	No function
		020 ◊ 039	Pan/tilt black activation (3 s delay)
		040 ◊ 059	Pan/tilt black deactivation (3 s delay)
		060 ◊ 079	Auto 1 (3 s delay)
		080 ◊ 099	Auto 2 (3 s delay)
		100 ◊ 119	Sound 1 (3 s delay)
		120 ◊ 139	Sound 2 (3 s delay)
		140 ◊ 159	Custom
		160 ◊ 179	Test (3 s delay)
		180 ◊ 199	No function
		200 ◊ 219	Reset (3 s delay)
220 ◊ 255	No function		

***Programming
Notes***

To make the steps of the custom program to run in an endless loop, set the TIME value of the last step to “0”. This will tell the fixture to start over from the first step.

Contact Us

General Information

CHAUVET®
5200 NW 108th Avenue
Sunrise, FL 33351
Voice: (954) 929-1115
Fax: (954) 929-5560
Toll free: (800) 762-1084

Technical Support

Voice: (954) 929-1115 (Press 4)
Fax: (954) 929-5560 (Attention: Service)

World Wide Web

www.chauvetlighting.com

Q-Spot 260-LED - QRG – Rev. 02

© Copyright 2010 CHAUVET®

All rights reserved

Printed in the P. R. C.