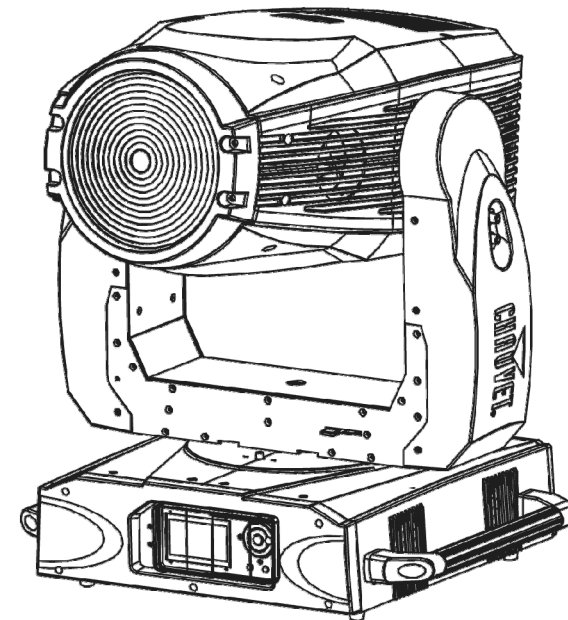


Ch #	Value	Function & Setting
		<b>Function</b>
	000 ⇔ 069	No function
	070 ⇔ 079	Pan/tilt blackout (enable)
	080 ⇔ 089	Pan/tilt blackout (disable)
	090 ⇔ 099	Color blackout (enable)
	100 ⇔ 109	Color blackout (disable)
	110 ⇔ 129	No function
	130 ⇔ 139	Lamp on
21	140 ⇔ 149	Pan/tilt reset
	150 ⇔ 159	Color reset
	160 ⇔ 169	No function
	170 ⇔ 179	Shutter reset
	180 ⇔ 189	Zoom reset
	190 ⇔ 199	No function
	200 ⇔ 209	Reset all
	210 ⇔ 229	No function
	230 ⇔ 239	Lamp off
	240 ⇔ 255	No function



## Quick Reference Guide



**Contact Us**    **World Headquarters**  
*General Information*

CHAUVET®  
 5200 NW 108<sup>th</sup> Avenue  
 Sunrise, FL 33351  
 Voice: (954) 929-1115  
 Fax: (954) 929-5560  
 Toll free: (800) 762-1084

*Technical Support*

Voice: (954) 929-1115 (Press 4)  
 Fax: (954) 929-3716

*World Wide Web*

[www.chauvetlighting.com](http://www.chauvetlighting.com)



**About this Guide**

The Legend 1200E Wash Quick Reference Guide (QRG) only contains the product's connection and mounting information as well as the menu options and the DMX values.

**Disclaimer**

This QRG does not replace the product's user manual. You must download the corresponding user manual from the CHAUVET® Web site ([www.chauvetlighting.com](http://www.chauvetlighting.com)) to learn about the disclaimers, safety notes, programming modes, and technical information.

**Fixture at a Glance**

Use on Dimmer	⊘	Auto Programs	⊘
Outdoor Use	⊘	Auto-ranging Power Supply	✓
Sound Activated	⊘	Replaceable Fuse	✓
DMX	✓	User Serviceable	⊘
Master/Slave	⊘	CMY Color Mixing	✓

**What is Included**

- One Legend 1200E Wash
- Two omega brackets
- Two trigger clamps
- Road case
- One Warranty Card
- One Quick Reference Guide

**Features**

- 16 or 21-channel DMX moving yoke
- Pan: 540° in 2.8 sec/tilt: 270° in 1.6 sec
- Color wheel 1:  
7 colors + white (dark blue, pink, light yellow, light green, light blue, magenta, and 5,600 K)  
Split/linear colors
- Color wheel 2:  
7 colors + white (red, blue, pink, green, yellow, orange, and purple)  
Split/linear colors  
Rainbow color spin at variable speeds both wheels
- Variable CTC filter (3,200~6,000 K)
- CMY color mixing system with vector speed adjustments
- Variable shutter
- Variable 16-bit dimming (0~100%)
- Linear zoom (5.6~20.75°)
- Individual reset of pan/tilt, color, shutter, and zoom
- Remote fixture reset, lamp on/off, vector speed adjustments
- Built-in movement macros with range adjustments
- Built-in color macros

**Mode 2 (Advanced)**

Ch #	Value	Function & Setting
1	000 ⇔ 255	<b>Pan</b> (0~540°)
2	000 ⇔ 255	<b>Pan fine</b> (0~100%)
3	000 ⇔ 255	<b>Tilt</b> (0~270°)
4	000 ⇔ 255	<b>Tilt fine</b> (0~100%)
5	000 ⇔ 255	<b>Pan/tilt speed</b> (fast~slow)
6	000 ⇔ 255	<b>Dimmer</b> (0~100%)
7	000 ⇔ 255	<b>Dimmer fine</b> (0~100%)
8	000 ⇔ 015	<b>Shutter</b> Open
	016 ⇔ 131	Slow-fast
	132 ⇔ 167	Slow open/fast close
	168 ⇔ 203	Fast open/slow close
	204 ⇔ 239	Slow open/slow close
	240 ⇔ 247	Random strobe
	248 ⇔ 255	Open
9	000 ⇔ 007	<b>Color 1</b> Open (white)
	008 ⇔ 015	Dark blue
	016 ⇔ 023	Pink
	024 ⇔ 031	Light yellow
	032 ⇔ 039	Light green
	040 ⇔ 047	Light blue
	048 ⇔ 055	Magenta
	056 ⇔ 063	5600 K
	064 ⇔ 127	Split colors
	128 ⇔ 189	CCW rotation (fast~slow)
	190 ⇔ 191	Stop
192 ⇔ 255	CW rotation (slow~fast)	
10	000 ⇔ 007	<b>Color 2</b> Open (white)
	008 ⇔ 015	Red
	016 ⇔ 023	Blue
	024 ⇔ 031	Pink
	032 ⇔ 039	Green
	040 ⇔ 047	Yellow
	048 ⇔ 055	Orange
	056 ⇔ 063	UV purple
	064 ⇔ 127	Split colors
	128 ⇔ 189	CCW rotation (fast~slow)
	190 ⇔ 193	Stop
	194 ⇔ 255	CW rotation (slow~fast)
	11	000 ⇔ 255
12	000 ⇔ 255	<b>Magenta</b> (0~100%)
13	000 ⇔ 255	<b>Yellow</b> (0~100%)
14	000 ⇔ 255	<b>3200 K / CTO Filter</b> (0~100%)
15	000 ⇔ 255	<b>Filters Speed</b> (0~100%)
16	000 ⇔ 007	<b>Zoom</b> No function
	008 ⇔ 255	0~100%

Ch #	Value	Function & Setting
17	000 ⇔ 021	<b>Preset Color</b> Open (white)
	022 ⇔ 042	Color 1
	043 ⇔ 063	Color 2
	064 ⇔ 085	Color 3
	086 ⇔ 106	Color 4
	107 ⇔ 127	Color 5
	128 ⇔ 148	Color 6
	149 ⇔ 170	Color 7
	171 ⇔ 191	Color 8
	192 ⇔ 212	Color 9
	213 ⇔ 233	Color 10
234 ⇔ 255	Color 11	
18	000 ⇔ 007	<b>Color Macro</b> Open
	008 ⇔ 049	Macro 1
	050 ⇔ 091	Macro 2
	092 ⇔ 133	Macro 3
	134 ⇔ 175	Macro 4
	176 ⇔ 217	Macro 5
	218 ⇔ 255	Macro 6
19	000 ⇔ 007	<b>Pan/Tilt Macro</b> Off
	008 ⇔ 015	Macro 1
	016 ⇔ 023	Macro 2
	024 ⇔ 031	Macro 3
	032 ⇔ 039	Macro 4
	040 ⇔ 047	Macro 5
	048 ⇔ 055	Macro 6
	056 ⇔ 063	Macro 7
	064 ⇔ 071	Macro 8
	072 ⇔ 079	Macro 9
	080 ⇔ 087	Macro 10
	088 ⇔ 095	Macro 11
	096 ⇔ 103	Macro 12
	104 ⇔ 120	Macro 13
	121 ⇔ 127	Macro 14
	128 ⇔ 135	Macro 15
	136 ⇔ 143	Macro 16
	144 ⇔ 151	Macro 17
	152 ⇔ 159	Macro 18
	160 ⇔ 167	Macro 19
168 ⇔ 175	Macro 20	
176 ⇔ 183	Macro 21	
184 ⇔ 191	Macro 22	
192 ⇔ 207	Macro 23	
208 ⇔ 223	Macro 24	
224 ⇔ 231	Macro 25	
232 ⇔ 247	Macro 26	
248 ⇔ 255	Macro 27	
20	000 ⇔ 255	<b>Pan/Tilt Macro Range</b> (0~100%)

**DMX Values**

**Mode 1 (Basic)**

Ch #	Value	Percent/Setting
1	000 ⇔ 255	<b>Pan</b> (0~540°)
2	000 ⇔ 255	<b>Pan fine</b> (0~100%)
3	000 ⇔ 255	<b>Tilt</b> (0~270°)
4	000 ⇔ 255	<b>Tilt fine</b> (0~100%)
5	000 ⇔ 255	<b>Pan/tilt speed</b> (fast~slow)
6	000 ⇔ 255	<b>Dimmer</b> (0~100%)
7	000 ⇔ 015	<b>Shutter</b> Open
	016 ⇔ 131	Slow~fast
	132 ⇔ 167	Slow open/fast close
	168 ⇔ 203	Fast open/slow close
	204 ⇔ 239	Slow open/slow close
	240 ⇔ 247	Random strobe
	248 ⇔ 255	Open
8	000 ⇔ 007	<b>Color 1</b> Open (white)
	008 ⇔ 015	Dark blue
	016 ⇔ 023	Pink
	024 ⇔ 031	Light yellow
	032 ⇔ 039	Light green
	040 ⇔ 047	Light blue
	048 ⇔ 055	Magenta
	056 ⇔ 063	5600 K
	064 ⇔ 127	Split colors
	128 ⇔ 189	CCW rotation (fast~slow)
	190 ⇔ 191	Stop
192 ⇔ 255	CW rotation (slow~fast)	
9	000 ⇔ 007	<b>Color 2</b> Open (white)
	008 ⇔ 015	Red
	016 ⇔ 023	Blue
	024 ⇔ 031	Pink
	032 ⇔ 039	Green
	040 ⇔ 047	Yellow
	048 ⇔ 055	Orange
	056 ⇔ 063	UV purple
	064 ⇔ 127	Split colors
	128 ⇔ 189	CCW rotation (fast~slow)
	190 ⇔ 193	Stop
	194 ⇔ 255	CW rotation (slow~fast)

Ch #	Value	Percent/Setting
10	000 ⇔ 255	<b>Cyan</b> (0~100%)
11	000 ⇔ 255	<b>Magenta</b> (0~100%)
12	000 ⇔ 255	<b>Yellow</b> (0~100%)
13	000 ⇔ 255	<b>3200 K filter</b> (0~100%)
14	000 ⇔ 021	<b>Preset Color</b> Open (white)
	022 ⇔ 042	Color 1
	043 ⇔ 063	Color 2
	064 ⇔ 085	Color 3
	086 ⇔ 106	Color 4
	107 ⇔ 127	Color 5
	128 ⇔ 148	Color 6
	149 ⇔ 170	Color 7
	171 ⇔ 191	Color 8
	192 ⇔ 212	Color 9
	213 ⇔ 233	Color 10
234 ⇔ 255	Color 11	
15	000 ⇔ 007	<b>Zoom</b> No function
	008 ⇔ 255	0% ⇔ 100%
16	000 ⇔ 069	<b>Function</b> No function
	070 ⇔ 079	Pan/tilt blackout (enable)
	080 ⇔ 089	Pan/tilt blackout (disable)
	090 ⇔ 099	Color blackout (enable)
	100 ⇔ 109	Color blackout (disable)
	110 ⇔ 129	No function
	130 ⇔ 139	Lamp on
	140 ⇔ 149	Pan/tilt reset
	150 ⇔ 159	Color reset
	160 ⇔ 169	No function
	170 ⇔ 179	Shutter reset
	180 ⇔ 189	Zoom reset
	190 ⇔ 199	No function
	200 ⇔ 209	Reset all
210 ⇔ 229	No function	
230 ⇔ 239	Lamp off	
240 ⇔ 255	No function	

**Additional Features**

- 3-pin and 5-pin DMX connections
- User-configurable lamp ignition delay
- User-configurable maintenance reminder
- Electronic ballast with power factor correction
- Electronic power supply
- Automatic pan & tilt correction
- Pan & tilt locks
- Lamp and fixture use timer
- Power saver mode

**AC Power**

The Legend 1200E Wash has an auto-ranging power supply that can work with an input voltage range of 200~240 VAC, 50/60 Hz.

Make sure that you are connecting this product to the proper voltage, as per the specifications in this guide, the product's user manual, or on the product's sticker.

Always connect the Legend™ 1200E Wash to a protected circuit with an appropriate electrical ground to avoid the risk of electrocution or fire.

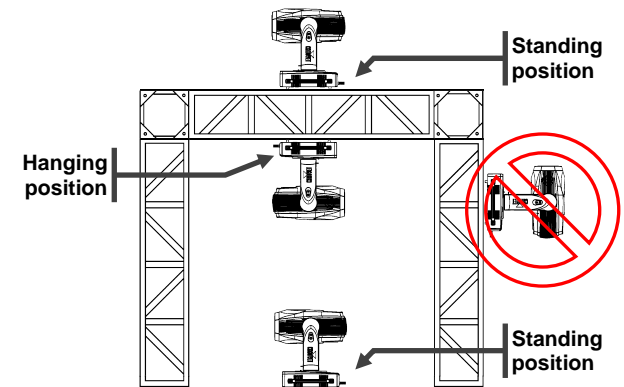
**Fuse Replacement**

- 1) With a Phillips #2 screwdriver, unscrew the fuse holder from its housing.
- 2) Remove the blown fuse from its holder and replace it with a fuse of the exact same type and rating.
- 3) Screw the fuse holder back in its place and reconnect power.

**Mounting**

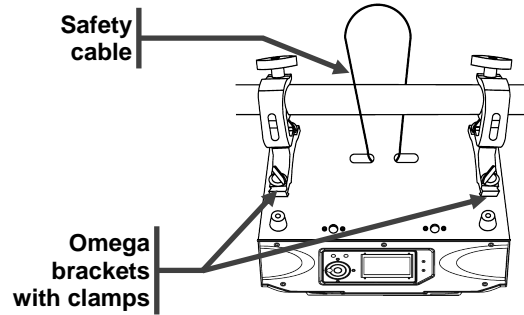
Before mounting this product, read the safety notes at the beginning of its user manual and follow the mounting procedure indicated there.

**Product Mounting Diagram**

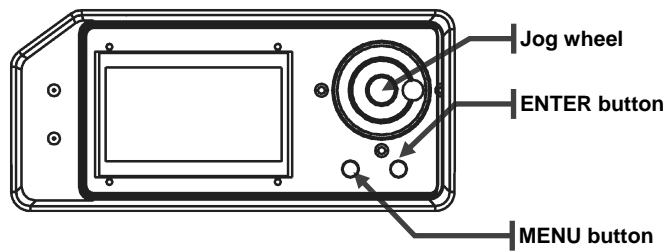


Make sure to always mount this fixture with the base in a horizontal position, either hanging or standing, as indicated in the diagram above. Doing otherwise may cause damage to the fixture and void its warranty.

Safety Cable Installation Diagram

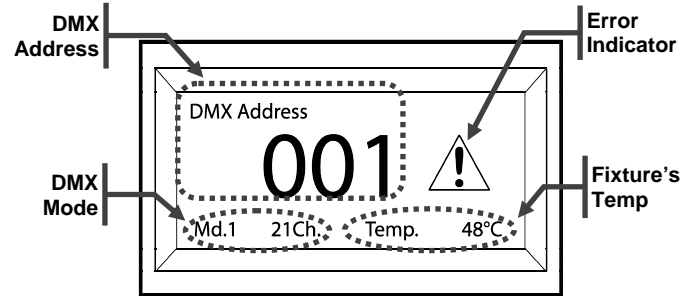


Control Panel Description



Home Screen

Upon power up, the LCD will show the Legend logo and the fixture's identification. After completing the power up tests, the LCD will show the DMX address, the DMX mode, and the fixture's temperature, along with the warning sign if the tests have detected an error.



If the Error Indicator shows, press <ENTER> to read the error message(s). Pressing <ENTER> while looking at an error message clear the indication, although it does not necessarily solve the problem.

Control Options

You can set this fixture's start address in the 001~512 DMX range. This allows for the control of up to 32 fixtures in the 16-channel DMX Mode 1.

Menu Options

Main Level	2 <sup>nd</sup> Level	3 <sup>rd</sup> Level	4 <sup>th</sup> Level
DMX Functions	DMX Address	1~512	N/A
	DMX Channel Mode	Mode 1 (16) Mode 2 (21)	
	View DMX Value	N/A	
	WDMX Setting (Requires optional W-DMX receiver)	Active Retransmit Reset Memory	No/Yes
Fixture Settings	Pan Inverse	No/Yes	N/A
	Tilt Inverse		
	Bl.o. P/T Moving		
	Bl.o. Color Change		
Lamp Settings	On/Off	On/Off	N/A
	State/Power On	No/Yes	
	Off Via DMX		
	On if DMX On		
	Off if DMX Off		
	Cooling Mode	High/Auto	
	Ignition Delay	0~255	
Low Power Delay			
Display Settings	Display Inverse	No/Yes	N/A
	Back Light Auto Off		
	Back Light Intensity	1~10	
	Temperature Unit	°C/°F	
Fixture Test	Auto Test	N/A	N/A
	Manual Test (1~21)	000~255	
Fixture Information	Fixture use time	N/A	N/A
	Lamp On Time	Exit/Reset Time	
	Firmware Version	N/A	
Reset Function	Pan & Tilt	No/Yes	N/A
	Color		
	Shutter & Dimmer		
	Zoom		
Special Functions	Fixture Maintenance	Interval/Remain Time	N/A
	Factory Settings	No/Yes	