

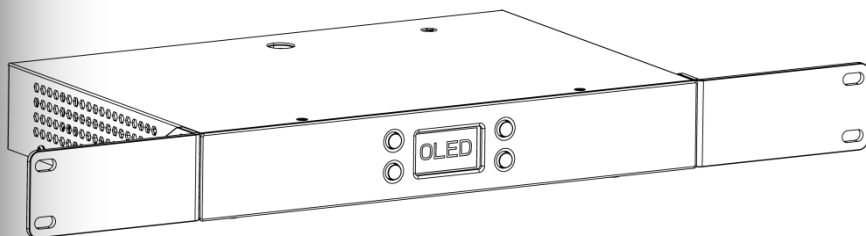
ÉPIX

DRIVE 900

Quick Reference Guide

Referencing Firmware V 1.4.2

English	EN
Español	ES
Français	FR
Nederlands	NL




CHAUVET
PROFESSIONAL

About This Guide

The ÉPIX Drive 900 Quick Reference Guide (QRG) has basic product information such as connection, mounting, menu options, and DMX values. Download the User Manual from www.chauvetprofessional.com for more details.

Disclaimer

The information and specifications contained in this QRG are subject to change without notice.

LIMITED WARRANTY

FOR WARRANTY REGISTRATION AND COMPLETE TERMS AND CONDITIONS PLEASE VISIT OUR WEBSITE.

For Customers in the United States and Mexico: www.chauvetlighting.com/warranty-registration.

For Customers in the United Kingdom, Republic of Ireland, Belgium, the Netherlands, Luxembourg, France, and Germany: www.chauvetlighting.eu/warranty-registration.

Chauvet warrants that this product shall be free from defects in material and workmanship under normal use, for the period specified in, and subject to the exclusions and limitations set forth in the full limited warranty on our website. This warranty extends only to the original purchaser of the product and is not transferable. To exercise rights under this warranty, you must provide proof of purchase in the form of an original sales receipt from an authorized dealer that shows the product name and date of purchase. THERE ARE NO OTHER EXPRESS OR IMPLIED WARRANTIES. This warranty gives you specific legal rights. You may also have other rights that vary from state to state and country to country. This warranty is valid only in the United States, United Kingdom, Republic of Ireland, Belgium, the Netherlands, Luxembourg, France, Germany and Mexico. For warranty terms in other countries, please consult your local distributor.

Safety Notes

- DO NOT open this product. It contains no user-serviceable parts.
- To eliminate unnecessary wear and improve its lifespan, during periods of non-use completely disconnect the product from power via breaker or by unplugging it.
- CAUTION: This product's housing may be hot when lights are operating.
- Do not cover the ventilation slots when operating to avoid internal overheating.
- Mount this product in a location with adequate ventilation, at least 20 in (50 cm) from adjacent surfaces.
- DO NOT leave any flammable material within 50 cm of this product while operating or connected to power.
- CAUTION: When transferring product from extreme temperature environments, (e.g., cold truck to warm humid ballroom) condensation may form on the internal electronics of the product. To avoid causing a failure, allow product to fully acclimate to the surrounding environment before connecting it to power.
- USE a safety cable when mounting this product overhead.
- DO NOT operate this product outdoors or in any location where dust, excessive heat, water, or humidity may affect it. (IP20)
- DO NOT operate this product if the housing, I/O ports, or cables appear damaged. Have the damaged parts replaced by a Chauvet certified technician at once.
- DO NOT connect this product to a dimmer or rheostat.
- ONLY connect this product to a grounded and protected circuit.
- In the event of a serious operating problem, stop using immediately.
- The maximum ambient temperature is 113 °F (45 °C). Do not operate this product at higher temperatures.

Contact

Outside the U.S., United Kingdom, Ireland, Benelux, France, Germany, or Mexico, contact your distributor to request support or return a product. Refer to [Contact Us](#) at the end of this QRG for more information.

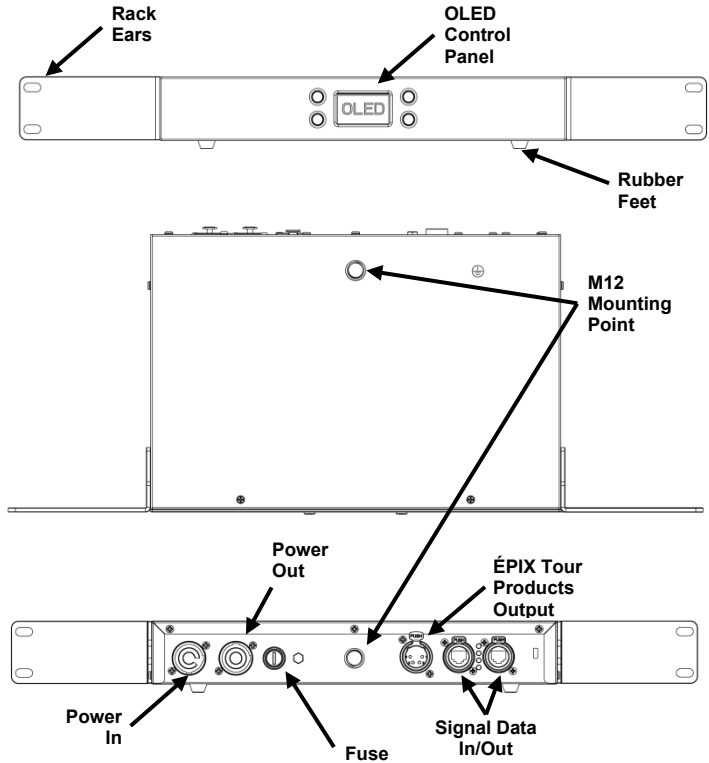
What Is Included

- ÉPIX Drive 900
- Neutrik powerCON power cord
- Rack ears (2)
- Bag of rack ear screws
- Rubber feet (4)
- Quick Reference Guide



If there are any missing pieces, please contact the local dealer where you purchased the product.

Product Overview



AC Power This product has an auto-ranging power supply that can work with an input voltage range of 100–240 VAC, 50/60 Hz.

Power Linking You can link up to 6 ÉPIX Drive 900 products at 120 V, 11 products at 208 V, or 12 products at 230 V. Never exceed this number. Power linking cords can be purchased separately.

AC Plug

Connection	Wire (U.S.)	Wire (Europe)	Screw Color
AC Live	Black	Brown	Yellow/Brass
AC Neutral	White	Blue	Silver
AC Ground	Green/Yellow	Green/Yellow	Green



To eliminate unnecessary wear and improve its lifespan, during periods of non-use completely disconnect the product from power via breaker or by unplugging it.

Replacing the Fuse

1. Disconnect this product from power.
2. Using a flat-head screwdriver, unscrew the fuse holder cap from the housing.
3. Remove blown fuse and replace with a good fuse of the same type and rating.
4. Screw the fuse holder cap back in place and reconnect power.

Signal Connections

The ÉPIX Drive 900 can link to a controller or controller software using an Ethernet connection. If using other Art-Net™, sACN, or Kling-Net compatible products with the ÉPIX Drive 900, they can be controlled individually on a single network. See the User Manual for information about how to connect and configure the product for these signals.

Control Personalities The ÉPIX Drive 900 uses Art-Net™ and sACN for its control personalities:

Personality	Channels	Description
Pixel	3 per LED (150 per ÉPIX Strip Tour) (450 per ÉPIX Bar Tour)	Complete pixel control
7-CH-Drive	7	Dimmer, auto programs, and strobe
8-CH-fixture	8 per ÉPIX product	Dimmer, auto programs, strobe, and dimmer speed
5-Section	15 per ÉPIX product	Controls LED output in 5 sections of LEDs
10-Section	30 per ÉPIX product	Controls LED output in 10 sections of LEDs
25-Section	75 per ÉPIX product	Controls LED output in 25 sections of LEDs
50-Section	150 per ÉPIX product	Controls LED output in 50 sections of LEDs



In the LED Section modes, all ÉPIX products scale to the same number of channels. For example: in 10-Section mode, an ÉPIX Bar Tour will be controlled in 10 sections of 15 LEDs, while an ÉPIX Strip IP 50 will be controlled in 10 sections of 5 LEDs.

Art-Net™ Connection

Art-Net™ is an Ethernet protocol that uses TCP/IP that transfers large amount of DMX512 data using an etherCON RJ45 connection over a large network. An Art-Net™ protocol document is available from www.chauvetprofessional.com. Art-Net™ Designed by and Copyright Artistic Licence Holdings Ltd.



This product is not designed to respond to controllers sending in Broadcast mode via Art-Net™. For best results, use Unicast mode. For information about which control protocol your controller uses, please contact the manufacturer of your controller.

sACN Connection

Also known as ANSI E1.31, Streaming-CAN is an Ethernet protocol that uses the layering and formatting of Architecture for Control Networks to transport DMX512 data over IP or any other CAN compatible network.

Kling-Net Connection

Kling-Net is a network protocol that allows auto configuration of display devices using an etherCON RJ45 Ethernet connection. Refer to the ArKaos software manual for detailed instructions on programming this product.

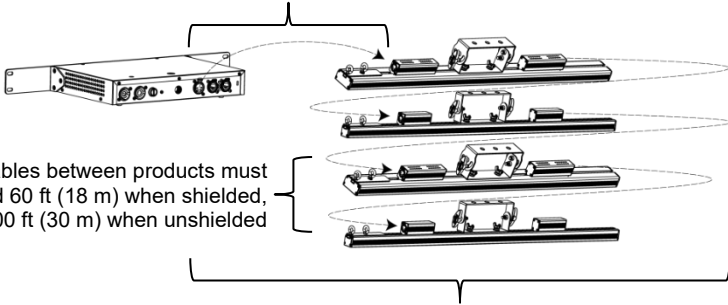


For smooth-running operation, ArKaos Kling-Net requires a gigabit (1000 Mbps) Ethernet card and network router.

Connecting ÉPIX Products

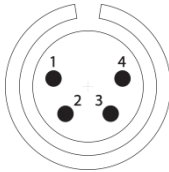
The ÉPIX Drive 900 is the power supply for the ÉPIX Tour and ÉPIX IP series of products. Each product must be daisy chained together in series.

Length of cables between ÉPIX Drive 900 and 1st product must not exceed 65 ft (20 m) when shielded, or 150 ft (45 m) when unshielded



Length of cables between products must not exceed 60 ft (18 m) when shielded, or 100 ft (30 m) when unshielded

Total length of cables cannot exceed 210 ft (64 m) when shielded, or 300 ft (91 m) when unshielded



Indoor Cables

- 1 = Power + (16 AWG or larger)
- 2 = Data + (18–24 AWG)
- 3 = Data - (18–24 AWG)
- 4 = Power - (16 AWG or larger)

- The ÉPIX Drive 900 can support various ÉPIX products daisy chained in various configurations.

Example configurations include:

- 18 ÉPIX Strip Tour products.
- 36 ÉPIX Strip Tour 50 products.
- 6 ÉPIX Bar Tour products or ÉPIX Strip IP products.
- 12 ÉPIX Strip IP 50 products.
- 4 ÉPIX Bar Tour products and 6 ÉPIX Strip Tour products.
- 4 ÉPIX Strip IP products and 6 ÉPIX Strip Tour products.
- 15 ÉPIX Strip Tour products and 1 ÉPIX Bar Tour product.

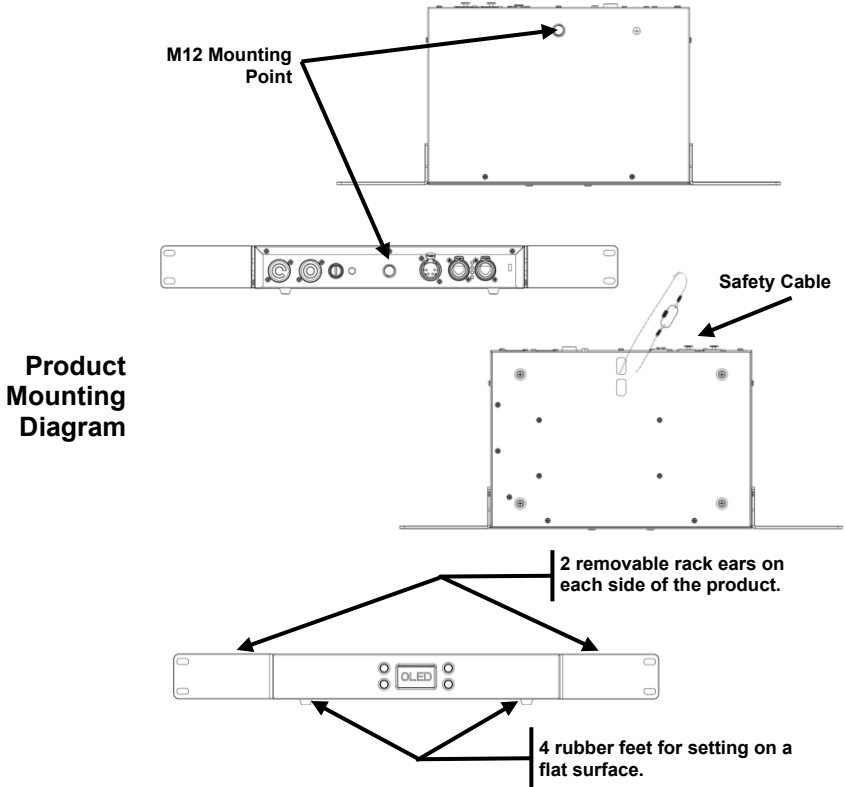


- Make sure the total length of the connecting shielded 4-pin XLR cables does not exceed 210 ft (64 m). Using unshielded cables will increase the maximum cable lengths to 300 ft (91 m) shown in the diagram above. Download the User Manual from www.chauvetprofessional.com for more details.



- Standard 4-pin XLR “Scroller Cables” are typically shielded.
- IP rated cables are recommended when using ÉPIX IP products.

Mounting Before mounting this product, read the [Safety Notes](#). Use at least one mounting point per product. Make sure the mounting clamps are capable of supporting the weight of the product. For our CHAUVET Professional line of mounting clamps, go to <http://trusst.com/products/>. The rack mount ears are not shipped connected to the product.



Mounting Guidelines Chauvet recommends using the following guidelines when mounting this product:

- Mount this product away from any flammable material as indicated in the [Safety Notes](#) section.
- Never mount in places where rain, high humidity, extreme temperature changes, or restricted ventilation may affect the product.
- Before deciding on a location, always make sure there is easy access to the product for maintenance and programming.
- Make sure that the structure or surface onto which you are mounting the product can support the product's weight (see the User Manual).
- When mounting the product overhead, always use a safety cable. Mount the product securely to a rigging point, such as an elevated platform or a truss.
- When rigging the product onto a truss, you should use a mounting clamp of appropriate weight capacity.
- When mounting the product on the floor, make sure that the product and cables are away from people and vehicles.

Control Panel Description	Button	Function
	<MENU>	Exits from the current menu or function and navigates downwards through the Main Level list
	<ENTER>	Enables the currently displayed menu or sets the currently selected value into the selected function
	<UP>	Navigates upwards through the menu list or increases the numeric value when in a function
	<DOWN>	Navigates downwards through the menu list or decreases the numeric value when in a function

Menu Map

Main Level	Programming Levels		Description	
Auto Address	No		Automatically find and address the products	
	Yes			
View Linked Fixture	1. _** – 36. _**		Shows the connected products in order ** - The display will show ÉPIX Strip tour, ÉPIX Bar Tour, or nothing	
	Off			
LED Output	Red		Red LEDs at full	
	Green		Green LEDs at full	
	Blue		Blue LEDs at full	
	White		White LEDs at full	
	Fade		Color roll fade at full	
	Scroll		Rainbow roll at full	
	Protocol	Art-Net		Selects the protocol and determines what other Menu options are available
Kling-Net				
sACN				
Display Inverse	No		Turns display 180 degrees	
	Yes			
Factory Reset	No		Resets product to factory defaults	
	Yes			
Ethernet Setting	Personality		Pixel	Sets the control personality. See Control Personalities .
			7-CH-Drive	
			8-CH-fixture	
			5-Section	
			10-Section	
			25-Section	
	Universe		000–246 (Art-Net™)	Sets the lowest of the 6 consecutive Art-Net™ or sACN universes the ÉPIX Drive 900 is assigned to
			001–247 (sACN)	
	IP Address	IP Address #1	*_**_.*.x.x.x *1–126 (Art-Net™) *1–255 (sACN) x = 0–255	Sets the IP addresses for the ÉPIX Drive 900 Note: The addresses cannot be the same
		IP Address #2		
IP Address #3				
IP Address #4				
IP Address #5				
IP Address #6				
DMX Address		1–506	Sets the DMX starting address	



Each ÉPIX Drive 900 uses 6 consecutive universes that are assigned from the Universe level under Ethernet Setting.

Control Values

Pixel Mode	Channel	Function	Value	Percent/Setting	
(3 Channels per LED)	1	Red 1	000 ⇔ 255	0–100%	
	2	Green 1	000 ⇔ 255	0–100%	
	3	Blue 1	000 ⇔ 255	0–100%	
	4	Red 2	000 ⇔ 255	0–100%	
	5	Green 2	000 ⇔ 255	0–100%	
	6	Blue 2	000 ⇔ 255	0–100%	
	7	Red 3	000 ⇔ 255	0–100%	
	8	Green 3	000 ⇔ 255	0–100%	
	9	Blue 3	000 ⇔ 255	0–100%	
	10	Red 4	000 ⇔ 255	0–100%	
	11	Green 4	000 ⇔ 255	0–100%	
	12	Blue 4	000 ⇔ 255	0–100%	
	13	Red 5	000 ⇔ 255	0–100%	
	14	Green 5	000 ⇔ 255	0–100%	
	15	Blue 5	000 ⇔ 255	0–100%	
	16	Red 6	000 ⇔ 255	0–100%	
	17	Green 6	000 ⇔ 255	0–100%	
	18	Blue 6	000 ⇔ 255	0–100%	
	19	Red 7	000 ⇔ 255	0–100%	
	20	Green 7	000 ⇔ 255	0–100%	
	21	Blue 7	000 ⇔ 255	0–100%	
	22	Red 8	000 ⇔ 255	0–100%	
	23	Green 8	000 ⇔ 255	0–100%	
	24	Blue 8	000 ⇔ 255	0–100%	
	25	Red 9	000 ⇔ 255	0–100%	
	26	Green 9	000 ⇔ 255	0–100%	
	27	Blue 9	000 ⇔ 255	0–100%	
	28	Red 10	000 ⇔ 255	0–100%	
	29	Green 10	000 ⇔ 255	0–100%	
	30	Blue 10	000 ⇔ 255	0–100%	

	433	Red 145	000 ⇔ 255	0–100%	
	434	Green 145	000 ⇔ 255	0–100%	
	435	Blue 145	000 ⇔ 255	0–100%	
	436	Red 146	000 ⇔ 255	0–100%	
	437	Green 146	000 ⇔ 255	0–100%	
	438	Blue 146	000 ⇔ 255	0–100%	
	439	Red 147	000 ⇔ 255	0–100%	
	440	Green 147	000 ⇔ 255	0–100%	
	441	Blue 147	000 ⇔ 255	0–100%	
	442	Red 148	000 ⇔ 255	0–100%	
	443	Green 148	000 ⇔ 255	0–100%	
	444	Blue 148	000 ⇔ 255	0–100%	
	445	Red 149	000 ⇔ 255	0–100%	
	446	Green 149	000 ⇔ 255	0–100%	
	447	Blue 149	000 ⇔ 255	0–100%	
	448	Red 150	000 ⇔ 255	0–100%	
	449	Green 150	000 ⇔ 255	0–100%	
	450	Blue 150	000 ⇔ 255	0–100%	

7-CH-Drive Mode	Channel	Function	Value	Percent/Setting
	1	Dimmer	000 ⇔ 255	0–100%
	2	Red	000 ⇔ 255	0–100%
	3	Green	000 ⇔ 255	0–100%
	4	Blue	000 ⇔ 255	0–100%
	5	Auto Programs	000 ⇔ 010	No function
			011 ⇔ 024	Auto program 1
			025 ⇔ 038	Auto program 2
			039 ⇔ 051	Auto program 3
			052 ⇔ 065	Auto program 4
			066 ⇔ 078	Auto program 5
			079 ⇔ 092	Auto program 6
			093 ⇔ 105	Auto program 7
			106 ⇔ 119	Auto program 8
			120 ⇔ 133	Auto program 9
			134 ⇔ 146	Auto program 10
			147 ⇔ 160	Auto program 11
			161 ⇔ 173	Auto program 12
			174 ⇔ 187	Auto program 13
			188 ⇔ 200	Auto program 14
			201 ⇔ 214	Auto program 15
			215 ⇔ 227	Auto program 16
	228 ⇔ 241	Auto program 17		
		242 ⇔ 255	All programs (Auto programs 1–17)	
	6	Speed	000 ⇔ 255	0–100%
	7	Strobe	000 ⇔ 010	No function
			011 ⇔ 255	Strobe, slow to fast

8-CH- fixture Mode	Channel	Function	Value	Percent/Setting
	1	Dimmer	000 ⇔ 255	0–100%
	2	Red	000 ⇔ 255	0–100%
	3	Green	000 ⇔ 255	0–100%
	4	Blue	000 ⇔ 255	0–100%
	5	Auto Programs	000 ⇔ 010	No function
			011 ⇔ 024	Auto program 1
			025 ⇔ 038	Auto program 2
			039 ⇔ 051	Auto program 3
			052 ⇔ 065	Auto program 4
			066 ⇔ 078	Auto program 5
			079 ⇔ 092	Auto program 6
			093 ⇔ 105	Auto program 7
			106 ⇔ 119	Auto program 8
			120 ⇔ 133	Auto program 9
			134 ⇔ 146	Auto program 10
			147 ⇔ 160	Auto program 11
			161 ⇔ 173	Auto program 12
			174 ⇔ 187	Auto program 13
			188 ⇔ 200	Auto program 14
			201 ⇔ 214	Auto program 15
			215 ⇔ 227	Auto program 16
	228 ⇔ 241	Auto program 17		
	242 ⇔ 255	All programs (Auto programs 1–17)		
	6	Speed	000 ⇔ 255	0–100%
	7	Strobe	000 ⇔ 010	No function
			011 ⇔ 255	Strobe, slow to fast
	8	Dimmer Speed Mode	000 ⇔ 101	Linear dimmer
			102 ⇔ 152	Fast dimmer
			153 ⇔ 203	Medium dimmer
			204 ⇔ 255	Slow dimmer

5-Section Mode (15 Channels per ÉPIX Product)	Channel	Function	Value	Percent/Setting	
	1	Red 1	000 ⇔ 255	0–100%	Section 1
	2	Green 1	000 ⇔ 255	0–100%	
	3	Blue 1	000 ⇔ 255	0–100%	
	4	Red 2	000 ⇔ 255	0–100%	Section 2
	5	Green 2	000 ⇔ 255	0–100%	
	6	Blue 2	000 ⇔ 255	0–100%	Section 3
	7	Red 3	000 ⇔ 255	0–100%	
	8	Green 3	000 ⇔ 255	0–100%	
	9	Blue 3	000 ⇔ 255	0–100%	Section 4
	10	Red 4	000 ⇔ 255	0–100%	
	11	Green 4	000 ⇔ 255	0–100%	Section 5
	12	Blue 4	000 ⇔ 255	0–100%	
	13	Red 5	000 ⇔ 255	0–100%	
	14	Green 5	000 ⇔ 255	0–100%	Section 5
	15	Blue 5	000 ⇔ 255	0–100%	

10-Section Mode (30 Channels per ÉPIX Product)	Channel	Function	Value	Percent/Setting	
	1	Red 1	000 ⇄ 255	0–100%	Section 1
	2	Green 1	000 ⇄ 255	0–100%	
	3	Blue 1	000 ⇄ 255	0–100%	
	4	Red 2	000 ⇄ 255	0–100%	Section 2
	5	Green 2	000 ⇄ 255	0–100%	
	6	Blue 2	000 ⇄ 255	0–100%	
	7	Red 3	000 ⇄ 255	0–100%	Section 3
	8	Green 3	000 ⇄ 255	0–100%	
	9	Blue 3	000 ⇄ 255	0–100%	
	10	Red 4	000 ⇄ 255	0–100%	Section 4
	11	Green 4	000 ⇄ 255	0–100%	
	12	Blue 4	000 ⇄ 255	0–100%	
	13	Red 5	000 ⇄ 255	0–100%	Section 5
	14	Green 5	000 ⇄ 255	0–100%	
	15	Blue 5	000 ⇄ 255	0–100%	
	16	Red 6	000 ⇄ 255	0–100%	Section 6
	17	Green 6	000 ⇄ 255	0–100%	
	18	Blue 6	000 ⇄ 255	0–100%	
	19	Red 7	000 ⇄ 255	0–100%	Section 7
	20	Green 7	000 ⇄ 255	0–100%	
	21	Blue 7	000 ⇄ 255	0–100%	
	22	Red 8	000 ⇄ 255	0–100%	Section 8
	23	Green 8	000 ⇄ 255	0–100%	
	24	Blue 8	000 ⇄ 255	0–100%	
	25	Red 9	000 ⇄ 255	0–100%	Section 9
	26	Green 9	000 ⇄ 255	0–100%	
	27	Blue 9	000 ⇄ 255	0–100%	
	28	Red 10	000 ⇄ 255	0–100%	Section 10
	29	Green 10	000 ⇄ 255	0–100%	
	30	Blue 10	000 ⇄ 255	0–100%	

25-Section Mode (75 Channels per ÉPIX Product)	Channel	Function	Value	Percent/Setting	
	1	Red 1	000 ⇔ 255	0–100%	Section 1
	2	Green 1	000 ⇔ 255	0–100%	
	3	Blue 1	000 ⇔ 255	0–100%	
	4	Red 2	000 ⇔ 255	0–100%	Section 2
	5	Green 2	000 ⇔ 255	0–100%	
	6	Blue 2	000 ⇔ 255	0–100%	
	7	Red 3	000 ⇔ 255	0–100%	Section 3
	8	Green 3	000 ⇔ 255	0–100%	
	9	Blue 3	000 ⇔ 255	0–100%	
	10	Red 4	000 ⇔ 255	0–100%	Section 4
	11	Green 4	000 ⇔ 255	0–100%	
	12	Blue 4	000 ⇔ 255	0–100%	
	13	Red 5	000 ⇔ 255	0–100%	Section 5
	14	Green 5	000 ⇔ 255	0–100%	
	15	Blue 5	000 ⇔ 255	0–100%	
	16	Red 6	000 ⇔ 255	0–100%	Section 6
	17	Green 6	000 ⇔ 255	0–100%	
	18	Blue 6	000 ⇔ 255	0–100%	
	19	Red 7	000 ⇔ 255	0–100%	Section 7
	20	Green 7	000 ⇔ 255	0–100%	
	21	Blue 7	000 ⇔ 255	0–100%	
	22	Red 8	000 ⇔ 255	0–100%	Section 8
	23	Green 8	000 ⇔ 255	0–100%	
	24	Blue 8	000 ⇔ 255	0–100%	
	25	Red 9	000 ⇔ 255	0–100%	Section 9
	26	Green 9	000 ⇔ 255	0–100%	
	27	Blue 9	000 ⇔ 255	0–100%	
	28	Red 10	000 ⇔ 255	0–100%	Section 10
	29	Green 10	000 ⇔ 255	0–100%	
	30	Blue 10	000 ⇔ 255	0–100%	
	31	Red 11	000 ⇔ 255	0–100%	Section 11
	32	Green 11	000 ⇔ 255	0–100%	
	33	Blue 11	000 ⇔ 255	0–100%	
	34	Red 12	000 ⇔ 255	0–100%	Section 12
	35	Green 12	000 ⇔ 255	0–100%	
	36	Blue 12	000 ⇔ 255	0–100%	
	37	Red 13	000 ⇔ 255	0–100%	Section 13
	38	Green 13	000 ⇔ 255	0–100%	
	39	Blue 13	000 ⇔ 255	0–100%	
	40	Red 14	000 ⇔ 255	0–100%	Section 14
	41	Green 14	000 ⇔ 255	0–100%	
	42	Blue 14	000 ⇔ 255	0–100%	
	43	Red 15	000 ⇔ 255	0–100%	Section 15
	44	Green 15	000 ⇔ 255	0–100%	
	45	Blue 15	000 ⇔ 255	0–100%	
	46	Red 16	000 ⇔ 255	0–100%	Section 16
	47	Green 16	000 ⇔ 255	0–100%	
	48	Blue 16	000 ⇔ 255	0–100%	
	49	Red 17	000 ⇔ 255	0–100%	Section 17
	50	Green 17	000 ⇔ 255	0–100%	
	51	Blue 17	000 ⇔ 255	0–100%	

Channel	Function	Value	Percent/Setting	
52	Red 18	000 ⇔ 255	0-100%	Section 18
53	Green 18	000 ⇔ 255	0-100%	
54	Blue 18	000 ⇔ 255	0-100%	
55	Red 19	000 ⇔ 255	0-100%	Section 19
56	Green 19	000 ⇔ 255	0-100%	
57	Blue 19	000 ⇔ 255	0-100%	
58	Red 20	000 ⇔ 255	0-100%	Section 20
59	Green 20	000 ⇔ 255	0-100%	
60	Blue 20	000 ⇔ 255	0-100%	
61	Red 21	000 ⇔ 255	0-100%	Section 21
62	Green 21	000 ⇔ 255	0-100%	
63	Blue 21	000 ⇔ 255	0-100%	
64	Red 22	000 ⇔ 255	0-100%	Section 22
65	Green 22	000 ⇔ 255	0-100%	
66	Blue 22	000 ⇔ 255	0-100%	
67	Red 23	000 ⇔ 255	0-100%	Section 23
68	Green 23	000 ⇔ 255	0-100%	
69	Blue 23	000 ⇔ 255	0-100%	
70	Red 24	000 ⇔ 255	0-100%	Section 24
71	Green 24	000 ⇔ 255	0-100%	
72	Blue 24	000 ⇔ 255	0-100%	
73	Red 25	000 ⇔ 255	0-100%	Section 25
74	Green 25	000 ⇔ 255	0-100%	
75	Blue 25	000 ⇔ 255	0-100%	

50-Section Mode (150 Channels per ÉPIX Product)	Channel	Function	Value	Percent/Setting	
	1	Red 1	000 ⇔ 255	0–100%	Section 1
	2	Green 1	000 ⇔ 255	0–100%	
	3	Blue 1	000 ⇔ 255	0–100%	
	4	Red 2	000 ⇔ 255	0–100%	Section 2
	5	Green 2	000 ⇔ 255	0–100%	
	6	Blue 2	000 ⇔ 255	0–100%	
	7	Red 3	000 ⇔ 255	0–100%	Section 3
	8	Green 3	000 ⇔ 255	0–100%	
	9	Blue 3	000 ⇔ 255	0–100%	
	10	Red 4	000 ⇔ 255	0–100%	Section 4
	11	Green 4	000 ⇔ 255	0–100%	
	12	Blue 4	000 ⇔ 255	0–100%	
	13	Red 5	000 ⇔ 255	0–100%	Section 5
	14	Green 5	000 ⇔ 255	0–100%	
	15	Blue 5	000 ⇔ 255	0–100%	
	16	Red 6	000 ⇔ 255	0–100%	Section 6
	17	Green 6	000 ⇔ 255	0–100%	
	18	Blue 6	000 ⇔ 255	0–100%	
	19	Red 7	000 ⇔ 255	0–100%	Section 7
	20	Green 7	000 ⇔ 255	0–100%	
	21	Blue 7	000 ⇔ 255	0–100%	
	22	Red 8	000 ⇔ 255	0–100%	Section 8
	23	Green 8	000 ⇔ 255	0–100%	
	24	Blue 8	000 ⇔ 255	0–100%	
	25	Red 9	000 ⇔ 255	0–100%	Section 9
	26	Green 9	000 ⇔ 255	0–100%	
	27	Blue 9	000 ⇔ 255	0–100%	
	28	Red 10	000 ⇔ 255	0–100%	Section 10
	29	Green 10	000 ⇔ 255	0–100%	
	30	Blue 10	000 ⇔ 255	0–100%	
	31	Red 11	000 ⇔ 255	0–100%	Section 11
	32	Green 11	000 ⇔ 255	0–100%	
	33	Blue 11	000 ⇔ 255	0–100%	
	34	Red 12	000 ⇔ 255	0–100%	Section 12
	35	Green 12	000 ⇔ 255	0–100%	
	36	Blue 12	000 ⇔ 255	0–100%	
	37	Red 13	000 ⇔ 255	0–100%	Section 13
	38	Green 13	000 ⇔ 255	0–100%	
	39	Blue 13	000 ⇔ 255	0–100%	
	40	Red 14	000 ⇔ 255	0–100%	Section 14
	41	Green 14	000 ⇔ 255	0–100%	
	42	Blue 14	000 ⇔ 255	0–100%	
	43	Red 15	000 ⇔ 255	0–100%	Section 15
	44	Green 15	000 ⇔ 255	0–100%	
	45	Blue 15	000 ⇔ 255	0–100%	
	46	Red 16	000 ⇔ 255	0–100%	Section 16
	47	Green 16	000 ⇔ 255	0–100%	
	48	Blue 16	000 ⇔ 255	0–100%	
	49	Red 17	000 ⇔ 255	0–100%	Section 17
	50	Green 17	000 ⇔ 255	0–100%	
	51	Blue 17	000 ⇔ 255	0–100%	

Channel	Function	Value	Percent/Setting	
52	Red 18	000 ⇄ 255	0-100%	Section 18
53	Green 18	000 ⇄ 255	0-100%	
54	Blue 18	000 ⇄ 255	0-100%	
55	Red 19	000 ⇄ 255	0-100%	Section 19
56	Green 19	000 ⇄ 255	0-100%	
57	Blue 19	000 ⇄ 255	0-100%	
58	Red 20	000 ⇄ 255	0-100%	Section 20
59	Green 20	000 ⇄ 255	0-100%	
60	Blue 20	000 ⇄ 255	0-100%	
61	Red 21	000 ⇄ 255	0-100%	Section 21
62	Green 21	000 ⇄ 255	0-100%	
63	Blue 21	000 ⇄ 255	0-100%	
64	Red 22	000 ⇄ 255	0-100%	Section 22
65	Green 22	000 ⇄ 255	0-100%	
66	Blue 22	000 ⇄ 255	0-100%	
67	Red 23	000 ⇄ 255	0-100%	Section 23
68	Green 23	000 ⇄ 255	0-100%	
69	Blue 23	000 ⇄ 255	0-100%	
70	Red 24	000 ⇄ 255	0-100%	Section 24
71	Green 24	000 ⇄ 255	0-100%	
72	Blue 24	000 ⇄ 255	0-100%	
73	Red 25	000 ⇄ 255	0-100%	Section 25
74	Green 25	000 ⇄ 255	0-100%	
75	Blue 25	000 ⇄ 255	0-100%	
76	Red 26	000 ⇄ 255	0-100%	Section 26
77	Green 26	000 ⇄ 255	0-100%	
78	Blue 26	000 ⇄ 255	0-100%	
79	Red 27	000 ⇄ 255	0-100%	Section 27
80	Green 27	000 ⇄ 255	0-100%	
81	Blue 27	000 ⇄ 255	0-100%	
82	Red 28	000 ⇄ 255	0-100%	Section 28
83	Green 28	000 ⇄ 255	0-100%	
84	Blue 28	000 ⇄ 255	0-100%	
85	Red 29	000 ⇄ 255	0-100%	Section 29
86	Green 29	000 ⇄ 255	0-100%	
87	Blue 29	000 ⇄ 255	0-100%	
88	Red 30	000 ⇄ 255	0-100%	Section 30
89	Green 30	000 ⇄ 255	0-100%	
90	Blue 30	000 ⇄ 255	0-100%	
91	Red 31	000 ⇄ 255	0-100%	Section 31
92	Green 31	000 ⇄ 255	0-100%	
93	Blue 31	000 ⇄ 255	0-100%	
94	Red 32	000 ⇄ 255	0-100%	Section 32
95	Green 32	000 ⇄ 255	0-100%	
96	Blue 32	000 ⇄ 255	0-100%	
97	Red 33	000 ⇄ 255	0-100%	Section 33
98	Green 33	000 ⇄ 255	0-100%	
99	Blue 33	000 ⇄ 255	0-100%	
100	Red 34	000 ⇄ 255	0-100%	Section 34
101	Green 34	000 ⇄ 255	0-100%	
102	Blue 34	000 ⇄ 255	0-100%	

Channel	Red	Value	Percent/Setting	
103	Red 35	000 ⇔ 255	0–100%	Section 35
104	Green 35	000 ⇔ 255	0–100%	
105	Blue 35	000 ⇔ 255	0–100%	
106	Red 36	000 ⇔ 255	0–100%	Section 36
107	Green 36	000 ⇔ 255	0–100%	
108	Blue 36	000 ⇔ 255	0–100%	
109	Red 37	000 ⇔ 255	0–100%	Section 37
110	Green 37	000 ⇔ 255	0–100%	
111	Blue 37	000 ⇔ 255	0–100%	
112	Red 38	000 ⇔ 255	0–100%	Section 38
113	Green 38	000 ⇔ 255	0–100%	
114	Blue 38	000 ⇔ 255	0–100%	
115	Red 39	000 ⇔ 255	0–100%	Section 39
116	Green 39	000 ⇔ 255	0–100%	
117	Blue 39	000 ⇔ 255	0–100%	
118	Red 40	000 ⇔ 255	0–100%	Section 40
119	Green 40	000 ⇔ 255	0–100%	
120	Blue 40	000 ⇔ 255	0–100%	
121	Red 41	000 ⇔ 255	0–100%	Section 41
122	Green 41	000 ⇔ 255	0–100%	
123	Blue 41	000 ⇔ 255	0–100%	
124	Red 42	000 ⇔ 255	0–100%	Section 42
125	Green 42	000 ⇔ 255	0–100%	
126	Blue 42	000 ⇔ 255	0–100%	
127	Red 43	000 ⇔ 255	0–100%	Section 43
128	Green 43	000 ⇔ 255	0–100%	
129	Blue 43	000 ⇔ 255	0–100%	
130	Red 44	000 ⇔ 255	0–100%	Section 44
131	Green 44	000 ⇔ 255	0–100%	
132	Blue 44	000 ⇔ 255	0–100%	
133	Red 45	000 ⇔ 255	0–100%	Section 45
134	Green 45	000 ⇔ 255	0–100%	
135	Blue 45	000 ⇔ 255	0–100%	
136	Red 46	000 ⇔ 255	0–100%	Section 46
137	Green 46	000 ⇔ 255	0–100%	
138	Blue 46	000 ⇔ 255	0–100%	
139	Red 47	000 ⇔ 255	0–100%	Section 47
140	Green 47	000 ⇔ 255	0–100%	
141	Blue 47	000 ⇔ 255	0–100%	
142	Red 48	000 ⇔ 255	0–100%	Section 48
143	Green 48	000 ⇔ 255	0–100%	
144	Blue 48	000 ⇔ 255	0–100%	
145	Red 49	000 ⇔ 255	0–100%	Section 49
146	Green 49	000 ⇔ 255	0–100%	
147	Blue 49	000 ⇔ 255	0–100%	
148	Red 50	000 ⇔ 255	0–100%	Section 50
149	Green 50	000 ⇔ 255	0–100%	
150	Blue 50	000 ⇔ 255	0–100%	

Acerca de esta guía La guía de referencia rápida (GRR) del ÉPIX Drive 900 contiene información básica sobre el producto, como conexión, montaje, opciones de menú y valores DMX. Descargue el manual de usuario de www.chauvetprofessional.com para una información más detallada.

Exención de responsabilidad La información y especificaciones contenidas en esta GRR están sujetas a cambio sin previo aviso.

GARANTÍA LIMITADA PARA VER EL REGISTRO DE GARANTÍA Y LOS TÉRMINOS Y CONDICIONES COMPLETOS, VISITE NUESTRO SITIO WEB.

Para clientes en los Estados Unidos y México: www.chauvetlighting.com/warranty-registration.

Para clientes en Reino Unido, República de Irlanda, Bélgica, Países Bajos, Luxemburgo, Francia y Alemania: www.chauvetlighting.eu/warranty-registration.

Chauvet garantiza que este producto estará libre de defectos de material y mano de obra en condiciones de uso normales, durante el periodo especificado, sujeto siempre a las exclusiones y limitaciones establecidas en la garantía limitada completa de nuestro sitio web. Esta garantía se concede únicamente al comprador original del producto y no es transferible. Para ejercer los derechos que otorga esta garantía, usted debe proporcionar una prueba de compra en forma de un recibo de compra original, expedido por un distribuidor autorizado, donde figure el nombre del producto y la fecha de compra. NO EXISTEN OTRAS GARANTÍAS EXPRESAS NI IMPLÍCITAS. Esta garantía le otorga derechos legales específicos. Es posible que a usted le asistan otros derechos, que variarán dependiendo del estado o del país. Esta garantía solamente es válida en los Estados Unidos, Reino Unido, República de Irlanda, Bélgica, Países Bajos, Luxemburgo, Francia, Alemania y México. Para conocer los términos de garantía en otros países, consulte a su distribuidor local.

Notas de seguridad

- NO abra este producto. No contiene piezas reparables por el usuario.
- Para evitar un desgaste innecesario y alargar su vida útil, desconecte completamente el producto de la alimentación mediante el interruptor o desenchufándolo durante periodos en que no se use.
- ATENCIÓN: la carcasa de este producto puede estar caliente cuando las luces están en funcionamiento.
- No cubra las ranuras de ventilación cuando esté funcionando, para evitar sobrecalentamiento interno.
- Monte este producto en una ubicación con ventilación adecuada, al menos a 20 in (50 cm) de superficies adyacentes.
- NO deje ningún material inflamable a menos de 50 cm de este producto mientras esté funcionando o conectado a la alimentación.
- ATENCIÓN: cuando traslade el producto desde ambientes de temperatura extrema (p. ej., desde un camión frío a una sala de fiestas húmeda y caliente) se puede formar condensación en la electrónica interna del producto. Para evitar que se produzca un fallo, deje que el producto se aclimate totalmente al entorno antes de conectar la alimentación.
- USE un cable de seguridad cuando monte este producto en lo alto.
- NO ponga en funcionamiento este producto en el exterior o en cualquier ubicación en la que el polvo, calor excesivo, agua o humedad puedan afectarlo (IP20).
- NO ponga en funcionamiento este producto si la carcasa, puertos de E/S o cables parecen dañados. Haga que un técnico autorizado por Chauvet sustituya todas las piezas estropeadas.
- NO conecte este producto a un atenuador o reóstato.
- Conecte este producto SOLO a un circuito con toma de tierra y protegido.
- En caso de un problema grave de funcionamiento, deje de usarlo inmediatamente.
- La temperatura ambiente máxima es de 113 °F (45 °C). No haga funcionar este producto a temperaturas más altas.

Contacto

Fuera de EE. UU., Reino Unido, Irlanda, Benelux, Francia, Alemania o México póngase en contacto con su distribuidor para solicitar asistencia o devolver un producto. Consulte [Contact Us](#) al final de este GRR para información de contacto.

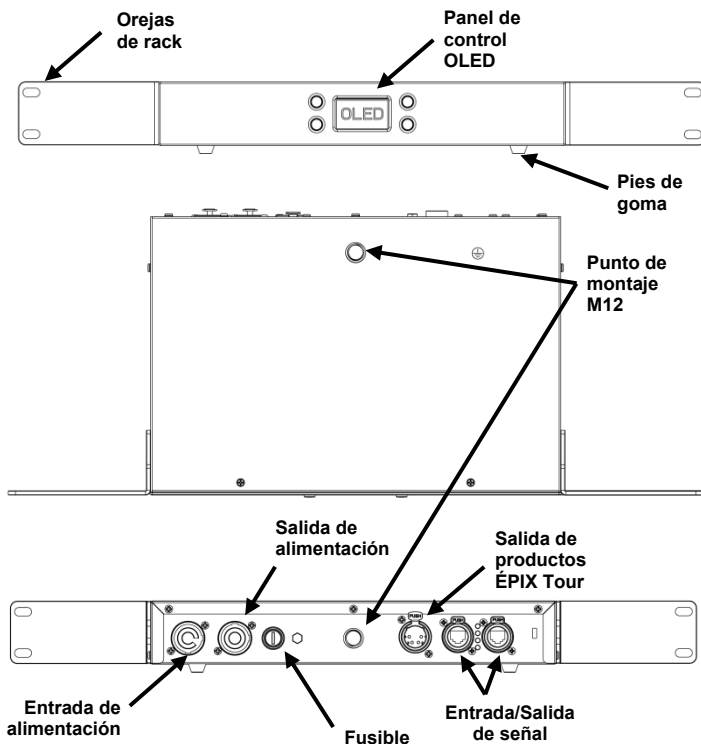
Qué va incluido

- ÉPIX Drive 900
- Bolsa con tornillos de orejas de rack
- Cable de alimentación Neutrik powerCON
- Pies de goma (4)
- Orejas de rack (2)
- Guía de referencia rápida



Si faltan piezas, póngase en contacto con el distribuidor local donde adquirió el producto.

Vista general del producto



Corriente alterna Este producto tiene una fuente de alimentación con detección automática que puede funcionar con un rango de tensión de entrada de 100–240 VCA, 50/60 Hz.

Alimentación en cadena Puede enlazar hasta 6 productos ÉPIX Drive 900 a 120 V; 11 productos a 208 V; o 12 productos a 230 V. Nunca sobrepase esta cantidad. Los cables de alimentación en cadena se pueden adquirir por separado.

Enchufe CA

Conexión	Cable (EE. UU.)	Cable (Europa)	Color del tornillo
CA cargado	Negro	Marrón	Amarillo/Latón
CA Neutro	Blanco	Azul	Plata
CA Tierra	Verde/Amarillo	Verde/Amarillo	Verde



Para evitar un desgaste innecesario y alargar su vida útil, desconecte completamente el producto de la alimentación mediante el interruptor o desenchufándolo durante periodos en que no se use.

Sustitución del fusible

1. Desconecte este producto de la alimentación.
2. Utilizando un destornillador plano, desatorille la tapa del portafusibles de la carcasa.
3. Quite el fusible fundido del portafusibles y sustítuyalo con uno nuevo del mismo tipo y categoría.
4. Vuelva a atornillar la tapa del portafusibles en su sitio y conecte de nuevo la alimentación.

Conexiones de señal

El ÉPIX Drive 900 puede vincularse a un controlador o al software de un controlador mediante una conexión Ethernet. Si está usando el ÉPIX Drive 900 con otros productos compatibles con Art-Net™, sACN o Kling-Netcon este puede controlar cada uno individualmente en una sola red. Consulte el Manual de usuario para obtener información sobre cómo conectar y configurar el producto para estas señales.

Personalidades de control

El ÉPIX Drive 900 utiliza Art-Net™ y sACN para sus personalidades de control:

Personalidad	Canales	Descripción
Pixel	3 por LED (150 por ÉPIX Strip Tour) (450 por ÉPIX Bar Tour)	Control de píxel completo
7-CH-Drive	7	Atenuador, programas automáticos y estroboscopio
8-CH-fixture	8 por producto ÉPIX	Atenuador, programas automáticos, estroboscopio y velocidad de atenuador
5-Section	15 por producto ÉPIX	Controla la salida LED en 5 secciones de LED
10-Section	30 por producto ÉPIX	Controla la salida LED en 10 secciones de LED
25-Section	75 por producto ÉPIX	Controla la salida LED en 25 secciones de LED
50-Section	150 por producto ÉPIX	Controla la salida LED en 50 secciones de LED



En los modos de sección LED, todos los productos ÉPIX se escalan al mismo número de canales. Por ejemplo: en el modo de 10 secciones, un ÉPIX Bar Tour se controlará en 10 secciones de 15 LED, mientras que un ÉPIX Strip IP 50 se controlará en 10 secciones de 5 LED.

Conexión Art-Net™

Art-Net™ es un protocolo Ethernet que utiliza TCP/IP para transferir gran cantidad de datos DMX512 usando una conexión etherCON RJ45 sobre una red de gran tamaño. Hay disponible un documento sobre el protocolo Art-Net™ desde www.chauvetprofessional.com. Art-Net™ diseñado y copyright por Artistic Licence Holdings Ltd.



Este producto no está diseñado para responder a controladores que emiten en modo broadcast a través de Art-Net™. Para mejores resultados, utilice modo unicast. Para obtener información sobre qué protocolo de control utiliza su controlador, póngase en contacto con el fabricante de su controlador.

Conexión sACN

También conocido como ANSI E1.31, el streaming ACN es un protocolo Ethernet que usa las capas y formato de Architecture for Control Networks (arquitectura para redes de control) para transportar datos DMX512 sobre IP o cualquier otra red compatible con ACN.

Conexión Kling-Net

Kling-Net es un protocolo de red que permite la autoconfiguración de los dispositivos de imagen usando una conexión Ethernet etherCON RJ45. Consulte el manual del software ArKaos para instrucciones detalladas sobre la programación de este producto.

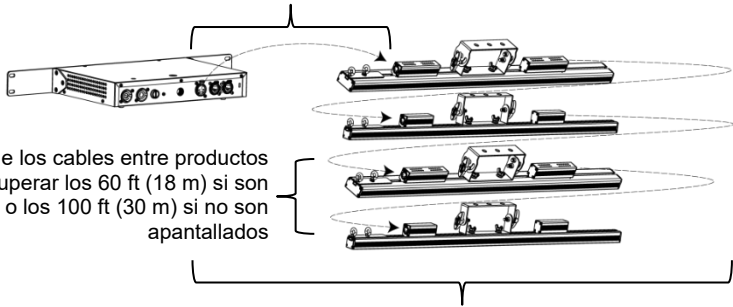


Para un funcionamiento fluido, ArKaos Kling-Net precisa una tarjeta Ethernet a gigabit (1000 Mbps) y un router de red.

Conexión de productos ÉPIX

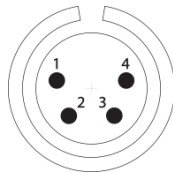
El ÉPIX Drive 900 es la fuente de alimentación para la serie de productos ÉPIX Tour y ÉPIX IP. Cada producto se debe alimentar en cadena en serie.

La longitud de los cables entre el ÉPIX Drive 900 y el 1er producto no debe superar los 65 ft (20 m) si son apantallados o los 150 ft (45 m) si no son apantallados



La longitud de los cables entre productos no debe superar los 60 ft (18 m) si son apantallados o los 100 ft (30 m) si no son apantallados

La longitud total de los cables no puede superar los 210 ft (64 m) si son apantallados o los 300 ft (91 m) si no son apantallados



Cables de interior

- 1 = Poder + (16 AWG o más grande)
- 2 = Datos + (18–24 AWG)
- 3 = Datos - (18–24 AWG)
- 4 = Poder - (16 AWG o más grande)



- El ÉPIX Drive 900 admite varios productos ÉPIX conectados en cadena en las distintas configuraciones. Configuraciones de ejemplo:

- 18 productos ÉPIX Strip Tour.
- 36 productos ÉPIX Strip Tour 50.
- 6 productos ÉPIX Bar Tour o productos ÉPIX Strip IP 50.
- 12 productos ÉPIX Strip IP 50.
- 4 productos ÉPIX Bar Tour y 6 productos ÉPIX Strip Tour.
- 15 productos ÉPIX Strip Tour y 1 producto ÉPIX Bar Tour.

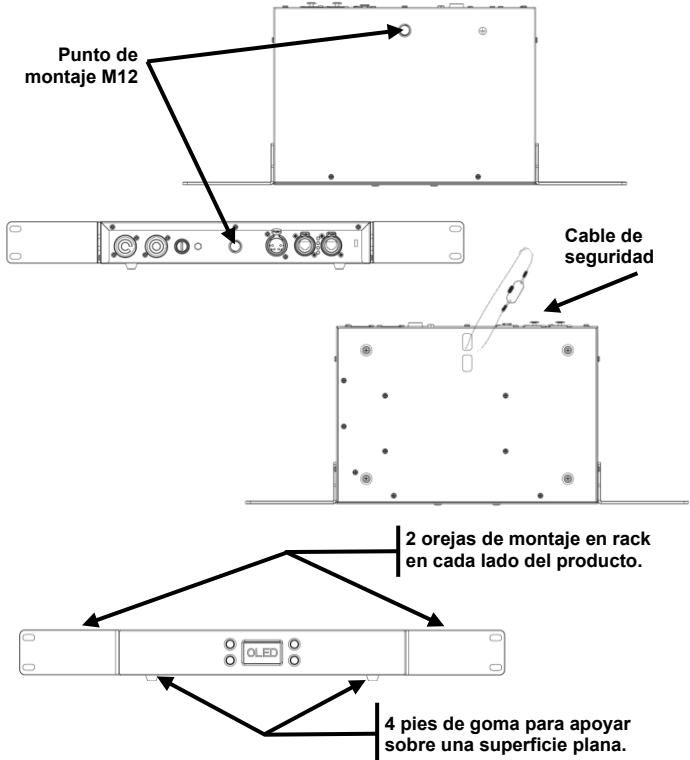
- Asegúrese de que la longitud total de los cables de conexión XLR apantallados no supera los 210 ft (64 m). El uso de cables apantallados aumentará las longitudes máximas de cable a 300 ft (91 m) como se indica en el diagrama de arriba. Descargue el manual de usuario de www.chauvetprofessional.com para una información más detallada.



- Los «cables en rollo» XLR de 4 pines estándar son normalmente apantallados.
- Se recomiendan cables con protección IP cuando se utilicen productos ÉPIX IP.

Montaje Antes de montar este producto, lea las [Notas de seguridad](#). Utilice al menos un punto de montaje por producto. Asegúrese de que las abrazaderas de montaje son capaces de soportar el peso del producto. Para nuestra línea de abrazaderas de montaje CHAUVET Professional, visite <http://trusst.com/products/>. Las orejas de montaje en rack no se suministran conectadas al producto.

Diagrama de montaje del producto



Directrices de montaje

Chauvet recomienda seguir las siguientes indicaciones cuando monte el producto:

- Asegúrese de montar este producto apartado de cualquier material inflamable, como se indica en la sección de [Notas de seguridad](#).
- Nunca monte en lugares donde la lluvia, humedad alta, cambios extremos de temperatura o ventilación limitada puedan afectar al producto.
- Antes de decidir una ubicación, asegúrese siempre de que hay fácil acceso al producto para su mantenimiento y programación.
- Asegúrese de que la estructura o superficie sobre la que está montando el producto puede soportar su peso (vea las Manual de Usuario).
- Cuando monte este producto en alto, use siempre un cable de seguridad. Monte el producto con seguridad a un punto de anclaje, como una plataforma elevada o un truss.
- Cuando cuelgue el producto de un truss, debe usar una abrazadera de montaje con la resistencia al peso adecuada.
- Cuando monte el producto en el suelo, asegúrese de que el producto y los cables estén fuera del alcance de personas y vehículos.

Descripción del panel de control	Botón	Función
	<MENU>	Sale del menú o función actual y se desplaza hacia abajo por la lista del nivel principal
	<ENTER>	Habilita el menú actualmente en pantalla o configura el valor seleccionado actualmente dentro de la función seleccionada
	<UP>	Navega hacia arriba por la lista de menú o aumenta el valor numérico cuando está en una función
	<DOWN>	Navega hacia abajo por la lista de menú o disminuye el valor numérico cuando está en una función

Mapa de menú

Nivel principal	Niveles de programación		Descripción	
Auto Address	No		Encuentra los productos y les asigna dirección automáticamente	
	Yes			
View Linked Fixture	1. _** – 36. _**		Muestra los productos conectados en orden ** - En la pantalla aparecerá el nombre del producto o nada	
LED Output	Off		Apaga toda la emisión LED	
	Red		LED rojos a plena potencia	
	Green		LED verdes a plena potencia	
	Blue		LED azules a plena potencia	
	White		LED blancos a plena potencia	
	Fade		Fade de rotación de color al máximo	
Protocol	Scroll		Rollo arco iris a plena potencia	
	Art-Net		Selecciona el protocolo y determina qué otras opciones de menú están disponibles	
	Kling-Net			
sACN				
Display Inverse	No		Gira la pantalla 180 grados	
Factory Reset	Yes			
Ethernet Setting	Personality	Pixel		Configura la personalidad de control (véase Personalidades de control)
		7-CH-Drive		
		8-CH-fixture		
		5-Section		
		10-Section		
		25-Section		
	Universe	000–246 (Art-Net™)		Configura el más bajo de los 6 universos Art-Net™ o sACN consecutivos a los que se asigna el ÉPIX Drive 900
		001–247 (sACN)		
	IP Address	IP Address #1		Configura las direcciones IP para el ÉPIX Drive 900 Nota: todas las direcciones deben ser únicas
		IP Address #2		
IP Address #3				
IP Address #4				
IP Address #5				
IP Address #6				
DMX Address		1–506		Selecciona la dirección DMX de inicio



Cada ÉPIX Drive 900 utiliza 6 universos consecutivos que se asignan desde Iniciar universo del nivel principal.

Valores de Control

Modo	Canal	Función	Valor	Porcentaje/Configuración
"Pixel" (3 canales por LED)	1	Rojo 1	000 ⇔ 255	0–100%
	2	Verde 1	000 ⇔ 255	0–100%
	3	Azul 1	000 ⇔ 255	0–100%
	4	Rojo 2	000 ⇔ 255	0–100%
	5	Verde 2	000 ⇔ 255	0–100%
	6	Azul 2	000 ⇔ 255	0–100%
	7	Rojo 3	000 ⇔ 255	0–100%
	8	Verde 3	000 ⇔ 255	0–100%
	9	Azul 3	000 ⇔ 255	0–100%
	10	Rojo 4	000 ⇔ 255	0–100%
	11	Verde 4	000 ⇔ 255	0–100%
	12	Azul 4	000 ⇔ 255	0–100%
	13	Rojo 5	000 ⇔ 255	0–100%
	14	Verde 5	000 ⇔ 255	0–100%
	15	Azul 5	000 ⇔ 255	0–100%
	16	Rojo 6	000 ⇔ 255	0–100%
	17	Verde 6	000 ⇔ 255	0–100%
	18	Azul 6	000 ⇔ 255	0–100%
	19	Rojo 7	000 ⇔ 255	0–100%
	20	Verde 7	000 ⇔ 255	0–100%
	21	Azul 7	000 ⇔ 255	0–100%
	22	Rojo 8	000 ⇔ 255	0–100%
	23	Verde 8	000 ⇔ 255	0–100%
	24	Azul 8	000 ⇔ 255	0–100%
	25	Rojo 9	000 ⇔ 255	0–100%
	26	Verde 9	000 ⇔ 255	0–100%
	27	Azul 9	000 ⇔ 255	0–100%
	28	Rojo 10	000 ⇔ 255	0–100%
	29	Verde 10	000 ⇔ 255	0–100%
	30	Azul 10	000 ⇔ 255	0–100%
...
	433	Rojo 145	000 ⇔ 255	0–100%
	434	Verde 145	000 ⇔ 255	0–100%
	435	Azul 145	000 ⇔ 255	0–100%
	436	Rojo 146	000 ⇔ 255	0–100%
	437	Verde 146	000 ⇔ 255	0–100%
	438	Azul 146	000 ⇔ 255	0–100%
	439	Rojo 147	000 ⇔ 255	0–100%
	440	Verde 147	000 ⇔ 255	0–100%
	441	Azul 147	000 ⇔ 255	0–100%
	442	Rojo 148	000 ⇔ 255	0–100%
	443	Verde 148	000 ⇔ 255	0–100%
	444	Azul 148	000 ⇔ 255	0–100%
	445	Rojo 149	000 ⇔ 255	0–100%
	446	Verde 149	000 ⇔ 255	0–100%
	447	Azul 149	000 ⇔ 255	0–100%
	448	Rojo 150	000 ⇔ 255	0–100%
	449	Verde 150	000 ⇔ 255	0–100%
	450	Azul 150	000 ⇔ 255	0–100%

Modo “7-CH-Drive”	Canal	Función	Valor	Porcentaje/Configuración
	1	Atenuador	000 ⇔ 255	0–100%
	2	Rojo	000 ⇔ 255	0–100%
	3	Verde	000 ⇔ 255	0–100%
	4	Azul	000 ⇔ 255	0–100%
	5	Programas automáticos	000 ⇔ 010	Sin función
			011 ⇔ 024	Programa automático 1
			025 ⇔ 038	Programa automático 2
			039 ⇔ 051	Programa automático 3
			052 ⇔ 065	Programa automático 4
			066 ⇔ 078	Programa automático 5
			079 ⇔ 092	Programa automático 6
			093 ⇔ 105	Programa automático 7
			106 ⇔ 119	Programa automático 8
			120 ⇔ 133	Programa automático 9
			134 ⇔ 146	Programa automático 10
			147 ⇔ 160	Programa automático 11
			161 ⇔ 173	Programa automático 12
			174 ⇔ 187	Programa automático 13
			188 ⇔ 200	Programa automático 14
			201 ⇔ 214	Programa automático 15
			215 ⇔ 227	Programa automático 16
	228 ⇔ 241	Programa automático 17		
	242 ⇔ 255	Programas todos (Programas automáticos 1–17)		
	6	Velocidad	000 ⇔ 255	0–100%
	7	Estroboscopios	000 ⇔ 010	Sin función
			011 ⇔ 255	Estroboscopio, lento a rápido

Modo “8-CH-fixture”	Canal	Función	Valor	Porcentaje/Configuración
	1	Atenuador	000 ⇔ 255	0–100%
	2	Rojo	000 ⇔ 255	0–100%
	3	Verde	000 ⇔ 255	0–100%
	4	Azul	000 ⇔ 255	0–100%
	5	Programas automáticos	000 ⇔ 010	Sin función
			011 ⇔ 024	Programa automático 1
			025 ⇔ 038	Programa automático 2
			039 ⇔ 051	Programa automático 3
			052 ⇔ 065	Programa automático 4
			066 ⇔ 078	Programa automático 5
			079 ⇔ 092	Programa automático 6
			093 ⇔ 105	Programa automático 7
			106 ⇔ 119	Programa automático 8
			120 ⇔ 133	Programa automático 9
			134 ⇔ 146	Programa automático 10
			147 ⇔ 160	Programa automático 11
			161 ⇔ 173	Programa automático 12
			174 ⇔ 187	Programa automático 13
			188 ⇔ 200	Programa automático 14
			201 ⇔ 214	Programa automático 15
			215 ⇔ 227	Programa automático 16
	228 ⇔ 241	Programa automático 17		
	242 ⇔ 255	Programas todos (Programas automáticos 1–17)		
	6	Velocidad	000 ⇔ 255	0–100%
	7	Estroboscopios	000 ⇔ 010	Sin función
			011 ⇔ 255	Estroboscopio, lento a rápido
	8	Velocidad de atenuador	000 ⇔ 101	Atenuador lineal
			102 ⇔ 152	Atenuador rápido
			153 ⇔ 203	Atenuador medio
			204 ⇔ 255	Atenuador lento

Modo “5-Section” (15 canales por producto ÉPIX)	Canal	Función	Valor	Porcentaje/Configuración
	1	Rojo 1	000 ⇔ 255	0–100%
	2	Verde 1	000 ⇔ 255	0–100%
	3	Azul 1	000 ⇔ 255	0–100%
	4	Rojo 2	000 ⇔ 255	0–100%
	5	Verde 2	000 ⇔ 255	0–100%
	6	Azul 2	000 ⇔ 255	0–100%
	7	Rojo 3	000 ⇔ 255	0–100%
	8	Verde 3	000 ⇔ 255	0–100%
	9	Azul 3	000 ⇔ 255	0–100%
	10	Rojo 4	000 ⇔ 255	0–100%
	11	Verde 4	000 ⇔ 255	0–100%
	12	Azul 4	000 ⇔ 255	0–100%
	13	Rojo 5	000 ⇔ 255	0–100%
	14	Verde 5	000 ⇔ 255	0–100%
	15	Azul 5	000 ⇔ 255	0–100%

Modo “10-Section” (30 canales por producto ÉPIX)	Canal	Función	Valor	Porcentaje/Configuración	
		1	Rojo 1	000 ⇔ 255	0-100%
	2	Verde 1	000 ⇔ 255	0-100%	
	3	Azul 1	000 ⇔ 255	0-100%	
	4	Rojo 2	000 ⇔ 255	0-100%	Sección 2
	5	Verde 2	000 ⇔ 255	0-100%	
	6	Azul 2	000 ⇔ 255	0-100%	
	7	Rojo 3	000 ⇔ 255	0-100%	Sección 3
	8	Verde 3	000 ⇔ 255	0-100%	
	9	Azul 3	000 ⇔ 255	0-100%	
	10	Rojo 4	000 ⇔ 255	0-100%	Sección 4
	11	Verde 4	000 ⇔ 255	0-100%	
	12	Azul 4	000 ⇔ 255	0-100%	
	13	Rojo 5	000 ⇔ 255	0-100%	Sección 5
	14	Verde 5	000 ⇔ 255	0-100%	
	15	Azul 5	000 ⇔ 255	0-100%	
	16	Rojo 6	000 ⇔ 255	0-100%	Sección 6
	17	Verde 6	000 ⇔ 255	0-100%	
	18	Azul 6	000 ⇔ 255	0-100%	
	19	Rojo 7	000 ⇔ 255	0-100%	Sección 7
	20	Verde 7	000 ⇔ 255	0-100%	
	21	Azul 7	000 ⇔ 255	0-100%	
	22	Rojo 8	000 ⇔ 255	0-100%	Sección 8
	23	Verde 8	000 ⇔ 255	0-100%	
	24	Azul 8	000 ⇔ 255	0-100%	
	25	Rojo 9	000 ⇔ 255	0-100%	Sección 9
	26	Verde 9	000 ⇔ 255	0-100%	
	27	Azul 9	000 ⇔ 255	0-100%	
	28	Rojo 10	000 ⇔ 255	0-100%	Sección 10
	29	Verde 10	000 ⇔ 255	0-100%	
	30	Azul 10	000 ⇔ 255	0-100%	

Modo “25-Section” (75 canales por producto ÉPIX)	Canal	Función	Valor	Porcentaje/Configuración	
		1	Rojo 1	000 ⇔ 255	0-100%
	2	Verde 1	000 ⇔ 255	0-100%	
	3	Azul 1	000 ⇔ 255	0-100%	
	4	Rojo 2	000 ⇔ 255	0-100%	Sección 2
	5	Verde 2	000 ⇔ 255	0-100%	
	6	Azul 2	000 ⇔ 255	0-100%	
	7	Rojo 3	000 ⇔ 255	0-100%	Sección 3
	8	Verde 3	000 ⇔ 255	0-100%	
	9	Azul 3	000 ⇔ 255	0-100%	
	10	Rojo 4	000 ⇔ 255	0-100%	Sección 4
	11	Verde 4	000 ⇔ 255	0-100%	
	12	Azul 4	000 ⇔ 255	0-100%	
	13	Rojo 5	000 ⇔ 255	0-100%	Sección 5
	14	Verde 5	000 ⇔ 255	0-100%	
	15	Azul 5	000 ⇔ 255	0-100%	
	16	Rojo 6	000 ⇔ 255	0-100%	Sección 6
	17	Verde 6	000 ⇔ 255	0-100%	
	18	Azul 6	000 ⇔ 255	0-100%	
	19	Rojo 7	000 ⇔ 255	0-100%	Sección 7
	20	Verde 7	000 ⇔ 255	0-100%	
	21	Azul 7	000 ⇔ 255	0-100%	
	22	Rojo 8	000 ⇔ 255	0-100%	Sección 8
	23	Verde 8	000 ⇔ 255	0-100%	
	24	Azul 8	000 ⇔ 255	0-100%	
	25	Rojo 9	000 ⇔ 255	0-100%	Sección 9
	26	Verde 9	000 ⇔ 255	0-100%	
	27	Azul 9	000 ⇔ 255	0-100%	
	28	Rojo 10	000 ⇔ 255	0-100%	Sección 10
	29	Verde 10	000 ⇔ 255	0-100%	
	30	Azul 10	000 ⇔ 255	0-100%	
	31	Rojo 11	000 ⇔ 255	0-100%	Sección 11
	32	Verde 11	000 ⇔ 255	0-100%	
	33	Azul 11	000 ⇔ 255	0-100%	
	34	Rojo 12	000 ⇔ 255	0-100%	Sección 12
	35	Verde 12	000 ⇔ 255	0-100%	
	36	Azul 12	000 ⇔ 255	0-100%	
	37	Rojo 13	000 ⇔ 255	0-100%	Sección 13
	38	Verde 13	000 ⇔ 255	0-100%	
	39	Azul 13	000 ⇔ 255	0-100%	
	40	Rojo 14	000 ⇔ 255	0-100%	Sección 14
	41	Verde 14	000 ⇔ 255	0-100%	
	42	Azul 14	000 ⇔ 255	0-100%	
	43	Rojo 15	000 ⇔ 255	0-100%	Sección 15
	44	Verde 15	000 ⇔ 255	0-100%	
	45	Azul 15	000 ⇔ 255	0-100%	
	46	Rojo 16	000 ⇔ 255	0-100%	Sección 16
	47	Verde 16	000 ⇔ 255	0-100%	
	48	Azul 16	000 ⇔ 255	0-100%	
	49	Rojo 17	000 ⇔ 255	0-100%	Sección 17
	50	Verde 17	000 ⇔ 255	0-100%	
	51	Azul 17	000 ⇔ 255	0-100%	

Canal	Función	Valor	Porcentaje/Configuración	
52	Rojo 18	000 ⇔ 255	0-100%	Sección 18
53	Verde 18	000 ⇔ 255	0-100%	
54	Azul 18	000 ⇔ 255	0-100%	
55	Rojo 19	000 ⇔ 255	0-100%	Sección 19
56	Verde 19	000 ⇔ 255	0-100%	
57	Azul 19	000 ⇔ 255	0-100%	Sección 20
58	Rojo 20	000 ⇔ 255	0-100%	
59	Verde 20	000 ⇔ 255	0-100%	
60	Azul 20	000 ⇔ 255	0-100%	Sección 21
61	Rojo 21	000 ⇔ 255	0-100%	
62	Verde 21	000 ⇔ 255	0-100%	Sección 22
63	Azul 21	000 ⇔ 255	0-100%	
64	Rojo 22	000 ⇔ 255	0-100%	
65	Verde 22	000 ⇔ 255	0-100%	Sección 23
66	Azul 22	000 ⇔ 255	0-100%	
67	Rojo 23	000 ⇔ 255	0-100%	Sección 24
68	Verde 23	000 ⇔ 255	0-100%	
69	Azul 23	000 ⇔ 255	0-100%	
70	Rojo 24	000 ⇔ 255	0-100%	Sección 25
71	Verde 24	000 ⇔ 255	0-100%	
72	Azul 24	000 ⇔ 255	0-100%	Sección 25
73	Rojo 25	000 ⇔ 255	0-100%	
74	Verde 25	000 ⇔ 255	0-100%	
75	Azul 25	000 ⇔ 255	0-100%	

Modo "50-Section" (150 canales por producto ÉPIX)	Canal	Función	Valor	Porcentaje/Configuración	
		1	Rojo 1	000 ⇄ 255	0-100%
	2	Verde 1	000 ⇄ 255	0-100%	
	3	Azul 1	000 ⇄ 255	0-100%	
	4	Rojo 2	000 ⇄ 255	0-100%	Sección 2
	5	Verde 2	000 ⇄ 255	0-100%	
	6	Azul 2	000 ⇄ 255	0-100%	
	7	Rojo 3	000 ⇄ 255	0-100%	Sección 3
	8	Verde 3	000 ⇄ 255	0-100%	
	9	Azul 3	000 ⇄ 255	0-100%	
	10	Rojo 4	000 ⇄ 255	0-100%	Sección 4
	11	Verde 4	000 ⇄ 255	0-100%	
	12	Azul 4	000 ⇄ 255	0-100%	
	13	Rojo 5	000 ⇄ 255	0-100%	Sección 5
	14	Verde 5	000 ⇄ 255	0-100%	
	15	Azul 5	000 ⇄ 255	0-100%	
	16	Rojo 6	000 ⇄ 255	0-100%	Sección 6
	17	Verde 6	000 ⇄ 255	0-100%	
	18	Azul 6	000 ⇄ 255	0-100%	
	19	Rojo 7	000 ⇄ 255	0-100%	Sección 7
	20	Verde 7	000 ⇄ 255	0-100%	
	21	Azul 7	000 ⇄ 255	0-100%	
	22	Rojo 8	000 ⇄ 255	0-100%	Sección 8
	23	Verde 8	000 ⇄ 255	0-100%	
	24	Azul 8	000 ⇄ 255	0-100%	
	25	Rojo 9	000 ⇄ 255	0-100%	Sección 9
	26	Verde 9	000 ⇄ 255	0-100%	
	27	Azul 9	000 ⇄ 255	0-100%	
	28	Rojo 10	000 ⇄ 255	0-100%	Sección 10
	29	Verde 10	000 ⇄ 255	0-100%	
	30	Azul 10	000 ⇄ 255	0-100%	
	31	Rojo 11	000 ⇄ 255	0-100%	Sección 11
	32	Verde 11	000 ⇄ 255	0-100%	
	33	Azul 11	000 ⇄ 255	0-100%	
	34	Rojo 12	000 ⇄ 255	0-100%	Sección 12
	35	Verde 12	000 ⇄ 255	0-100%	
	36	Azul 12	000 ⇄ 255	0-100%	
	37	Rojo 13	000 ⇄ 255	0-100%	Sección 13
	38	Verde 13	000 ⇄ 255	0-100%	
	39	Azul 13	000 ⇄ 255	0-100%	
	40	Rojo 14	000 ⇄ 255	0-100%	Sección 14
	41	Verde 14	000 ⇄ 255	0-100%	
	42	Azul 14	000 ⇄ 255	0-100%	
	43	Rojo 15	000 ⇄ 255	0-100%	Sección 15
	44	Verde 15	000 ⇄ 255	0-100%	
	45	Azul 15	000 ⇄ 255	0-100%	
	46	Rojo 16	000 ⇄ 255	0-100%	Sección 16
	47	Verde 16	000 ⇄ 255	0-100%	
	48	Azul 16	000 ⇄ 255	0-100%	
	49	Rojo 17	000 ⇄ 255	0-100%	Sección 17
	50	Verde 17	000 ⇄ 255	0-100%	
	51	Azul 17	000 ⇄ 255	0-100%	

Canal	Función	Valor	Porcentaje/Configuración	
52	Rojo 18	000 ⇔ 255	0-100%	Sección 18
53	Verde 18	000 ⇔ 255	0-100%	
54	Azul 18	000 ⇔ 255	0-100%	
55	Rojo 19	000 ⇔ 255	0-100%	Sección 19
56	Verde 19	000 ⇔ 255	0-100%	
57	Azul 19	000 ⇔ 255	0-100%	Sección 20
58	Rojo 20	000 ⇔ 255	0-100%	
59	Verde 20	000 ⇔ 255	0-100%	
60	Azul 20	000 ⇔ 255	0-100%	Sección 21
61	Rojo 21	000 ⇔ 255	0-100%	
62	Verde 21	000 ⇔ 255	0-100%	
63	Azul 21	000 ⇔ 255	0-100%	Sección 22
64	Rojo 22	000 ⇔ 255	0-100%	
65	Verde 22	000 ⇔ 255	0-100%	
66	Azul 22	000 ⇔ 255	0-100%	Sección 23
67	Rojo 23	000 ⇔ 255	0-100%	
68	Verde 23	000 ⇔ 255	0-100%	
69	Azul 23	000 ⇔ 255	0-100%	Sección 24
70	Rojo 24	000 ⇔ 255	0-100%	
71	Verde 24	000 ⇔ 255	0-100%	
72	Azul 24	000 ⇔ 255	0-100%	Sección 25
73	Rojo 25	000 ⇔ 255	0-100%	
74	Verde 25	000 ⇔ 255	0-100%	
75	Azul 25	000 ⇔ 255	0-100%	Sección 26
76	Rojo 26	000 ⇔ 255	0-100%	
77	Verde 26	000 ⇔ 255	0-100%	
78	Azul 26	000 ⇔ 255	0-100%	Sección 27
79	Rojo 27	000 ⇔ 255	0-100%	
80	Verde 27	000 ⇔ 255	0-100%	
81	Azul 27	000 ⇔ 255	0-100%	Sección 28
82	Rojo 28	000 ⇔ 255	0-100%	
83	Verde 28	000 ⇔ 255	0-100%	
84	Azul 28	000 ⇔ 255	0-100%	Sección 29
85	Rojo 29	000 ⇔ 255	0-100%	
86	Verde 29	000 ⇔ 255	0-100%	
87	Azul 29	000 ⇔ 255	0-100%	Sección 30
88	Rojo 30	000 ⇔ 255	0-100%	
89	Verde 30	000 ⇔ 255	0-100%	
90	Azul 30	000 ⇔ 255	0-100%	Sección 31
91	Rojo 31	000 ⇔ 255	0-100%	
92	Verde 31	000 ⇔ 255	0-100%	
93	Azul 31	000 ⇔ 255	0-100%	Sección 32
94	Rojo 32	000 ⇔ 255	0-100%	
95	Verde 32	000 ⇔ 255	0-100%	
96	Azul 32	000 ⇔ 255	0-100%	Sección 33
97	Rojo 33	000 ⇔ 255	0-100%	
98	Verde 33	000 ⇔ 255	0-100%	
99	Azul 33	000 ⇔ 255	0-100%	Sección 34
100	Rojo 34	000 ⇔ 255	0-100%	
101	Verde 34	000 ⇔ 255	0-100%	
102	Azul 34	000 ⇔ 255	0-100%	

Canal	Función	Valor	Porcentaje/Configuración	
103	Rojo 35	000 ⇔ 255	0-100%	Sección 35
104	Verde 35	000 ⇔ 255	0-100%	
105	Azul 35	000 ⇔ 255	0-100%	
106	Rojo 36	000 ⇔ 255	0-100%	Sección 36
107	Verde 36	000 ⇔ 255	0-100%	
108	Azul 36	000 ⇔ 255	0-100%	
109	Rojo 37	000 ⇔ 255	0-100%	Sección 37
110	Verde 37	000 ⇔ 255	0-100%	
111	Azul 37	000 ⇔ 255	0-100%	
112	Rojo 38	000 ⇔ 255	0-100%	Sección 38
113	Verde 38	000 ⇔ 255	0-100%	
114	Azul 38	000 ⇔ 255	0-100%	
115	Rojo 39	000 ⇔ 255	0-100%	Sección 39
116	Verde 39	000 ⇔ 255	0-100%	
117	Azul 39	000 ⇔ 255	0-100%	
118	Rojo 40	000 ⇔ 255	0-100%	Sección 40
119	Verde 40	000 ⇔ 255	0-100%	
120	Azul 40	000 ⇔ 255	0-100%	
121	Rojo 41	000 ⇔ 255	0-100%	Sección 41
122	Verde 41	000 ⇔ 255	0-100%	
123	Azul 41	000 ⇔ 255	0-100%	
124	Rojo 42	000 ⇔ 255	0-100%	Sección 42
125	Verde 42	000 ⇔ 255	0-100%	
126	Azul 42	000 ⇔ 255	0-100%	
127	Rojo 43	000 ⇔ 255	0-100%	Sección 43
128	Verde 43	000 ⇔ 255	0-100%	
129	Azul 43	000 ⇔ 255	0-100%	
130	Rojo 44	000 ⇔ 255	0-100%	Sección 44
131	Verde 44	000 ⇔ 255	0-100%	
132	Azul 44	000 ⇔ 255	0-100%	
133	Rojo 45	000 ⇔ 255	0-100%	Sección 45
134	Verde 45	000 ⇔ 255	0-100%	
135	Azul 45	000 ⇔ 255	0-100%	
136	Rojo 46	000 ⇔ 255	0-100%	Sección 46
137	Verde 46	000 ⇔ 255	0-100%	
138	Azul 46	000 ⇔ 255	0-100%	
139	Rojo 47	000 ⇔ 255	0-100%	Sección 47
140	Verde 47	000 ⇔ 255	0-100%	
141	Azul 47	000 ⇔ 255	0-100%	
142	Rojo 48	000 ⇔ 255	0-100%	Sección 48
143	Verde 48	000 ⇔ 255	0-100%	
144	Azul 48	000 ⇔ 255	0-100%	
145	Rojo 49	000 ⇔ 255	0-100%	Sección 49
146	Verde 49	000 ⇔ 255	0-100%	
147	Azul 49	000 ⇔ 255	0-100%	
148	Rojo 50	000 ⇔ 255	0-100%	Sección 50
149	Verde 50	000 ⇔ 255	0-100%	
150	Azul 50	000 ⇔ 255	0-100%	

A propos de ce manuel

Le Manuel de Référence (MR) du ÉPIX Drive 900 reprend des informations de base sur cet appareil notamment en matière de montage, d'options de menu et de valeurs DMX. Veuillez télécharger le manuel d'utilisation à partir du site internet www.chauvetprofessional.com pour plus de détails.

Clause de non Responsabilité

Les informations et caractéristiques contenues dans ce MR sont sujettes à modification sans préavis.

GARANTIE LIMITÉE

VEUILLEZ VISITER NOTRE SITE INTERNET POUR CONSULTER LES MODALITÉS D'ENREGISTREMENT DE LA GARANTIE ET LES CONDITIONS GÉNÉRALES COMPLÈTES.

Pour les clients aux États-Unis et au Mexique : www.chauvetlighting.com/warranty-registration.
Pour les clients du Royaume-Uni, de la République d'Irlande, de la Belgique, des Pays-Bas, du Luxembourg, de la France et de l'Allemagne : www.chauvetlighting.eu/warranty-registration.

Chauvet garantit que cet appareil est exempt de défauts de matériaux et de fabrication dans des conditions normales d'utilisation, pendant la période spécifiée dans la garantie limitée complète consultable sur notre site Internet et sous réserve des exclusions et limitations qui y sont énoncées. Cette garantie ne s'applique qu'à l'acheteur initial du produit et n'est pas transférable. Pour exercer les droits prévus par cette garantie, vous devez fournir une preuve d'achat sous la forme d'un reçu de vente original d'un revendeur autorisé qui indique le nom du produit et la date d'achat. IL N'EXISTE AUCUNE AUTRE GARANTIE EXPRESSE OU IMPLICITE. Cette garantie vous confère des droits légaux spécifique. Vous pouvez également bénéficier d'autres droits qui varient selon les états et les pays. Cette garantie n'est valable qu'aux États-Unis, au Royaume-Uni, en République d'Irlande, en Belgique, aux Pays-Bas, au Luxembourg, en France, en Allemagne et au Mexique. Pour connaître les conditions de garantie dans d'autres pays, veuillez consulter votre revendeur local.

Consignes de Sécurité

- NE PAS ouvrir cet appareil. Il ne contient aucune pièce réparable par l'utilisateur.
- Durant les périodes de non-utilisation, pour éviter toute usure inutile et pour prolonger la durée de vie, déconnectez entièrement l'appareil en le débranchant de l'alimentation électrique ou en coupant le disjoncteur.
- ATTENTION : Le boîtier de ce produit peut devenir chaud lorsque les lumières sont en fonctionnement.
- Ne recouvrez pas les fentes de ventilation lors du fonctionnement pour éviter toute surchauffe interne.
- Installez cet appareil dans un endroit bien ventilé à au moins 50 cm (20 po) des surfaces adjacentes.
- NE PAS laisser de matière inflammable à moins de 50 cm de cet appareil lorsqu'il est en fonctionnement ou tout simplement branché.
- ATTENTION : Lorsque l'appareil est déplacé d'un environnement à température extrême à un autre (par exemple d'un camion froid vers une salle de bal chaude et humide), de la condensation peut se former sur les composants électriques internes. Pour éviter de causer des dommages, laissez l'appareil s'acclimater entièrement au milieu environnant avant de le mettre sous tension.
- UTILISEZ un câble de sécurité lors du montage de cet appareil en hauteur.
- NE faites PAS fonctionner cet appareil en extérieur ou à tout endroit où de la poussière, une chaleur excessive, de l'eau ou de l'humidité pourraient l'endommager. (IP20)
- NE PAS utiliser cet appareil si le boîtier, les ports d'entrée/sortie ou les câbles paraissent endommagés. Faites remplacer les pièces endommagées dès que possible par un technicien agréé par Chauvet.
- Ne connectez jamais l'appareil à un variateur ou un rhéostat.
- Cet appareil DOIT être relié à un circuit mis à la terre et protégé.
- En cas de sérieux problèmes de fonctionnement, arrêtez l'appareil immédiatement.
- La température ambiante maximale est de 45 °C (113 °F). Ne faites pas fonctionner cet appareil à des températures plus élevées.

Nous contacter

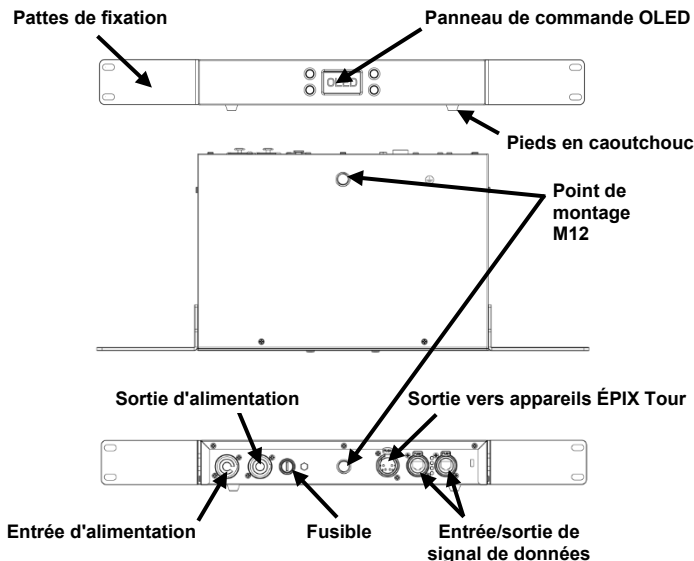
En dehors des États-Unis, du Royaume-Uni, de l'Irlande, du Benelux, de la France, de l'Allemagne, ou du Mexique, contactez votre fournisseur si vous avez besoin d'assistance ou pour retourner un appareil. Référez-vous à [Contact Us](#) à la fin de ce MR pour obtenir des informations pour nous contacter.

- Contenu**
- ÉPIX Drive 900
 - Câble d'alimentation Neutrik powerCON
 - Pattes de fixation (2)
 - Sachet de vis pour pattes de fixation
 - Pieds en caoutchouc (4)
 - Manuel de référence



Dans l'éventualité de pièce(s) manquante(s), veuillez contacter le revendeur chez qui vous avez acheté l'appareil.

Vue d'ensemble de l'appareil



Alimentation CA Cet appareil est doté d'une alimentation universelle qui peut prendre en charge toute tension d'entrée comprise entre 100 et 240 VCA, 50/60 Hz.

Chaînage électrique Vous pouvez relier jusqu'à 6 appareils ÉPIX Drive 900 sur du 120V, 11 appareils sur du 208V ou 12 appareils sur du 230V. Ne jamais dépasser la recommandation. Les câbles de chaînage électrique peuvent être achetés séparément.

Prise CA	Connexion	Câble (USA)	Câble (Europe)	Couleur de vis
	Phase CA	Noir	Marron	Jaune/Laiton
	Neutre CA	Blanc	Bleu	Argent
	Terre CA	Vert/Jaune	Vert/Jaune	Vert



Durant les périodes de non-utilisation, pour éviter toute usure inutile et pour prolonger la durée de vie, déconnectez entièrement l'appareil en le débranchant de l'alimentation électrique ou en coupant le disjoncteur.

Remplacement du fusible

1. Débranchez cet appareil.
2. Avec un tournevis plat, dévissez le capuchon du porte-fusible du boîtier.
3. Remplacez le fusible grillé par un fusible en bon état, de même type et de même ampérage.
4. Remettez en place et vissez le capuchon du porte-fusible, puis rebranchez.

Connexions du signal

Le ÉPIX Drive 900 peut être relié à un contrôleur ou à un logiciel de contrôleur à l'aide d'une connexion Ethernet. Même en cas d'utilisation du ÉPIX Drive 900 conjointement avec d'autres appareils compatibles avec les protocoles Art-Net™, sACN ou Kling-Net, chaque appareil peut être contrôlé individuellement sur un même réseau. Veuillez consulter le manuel d'utilisation pour plus d'informations sur la connexion et la configuration de l'appareil avec ces signaux.

Personnalités de contrôle

Le ÉPIX Drive 900 utilise les protocoles Art-Net™ et sACN pour ses personnalités de contrôle :

Personnalité	Canaux	Description
Pixel	3 par LED (150 par ÉPIX Strip Tour) (450 par ÉPIX Bar Tour)	Contrôle total des pixels
7-CH-Drive	7	Gradateur, programmes automatiques et stroboscope
8-CH-fixture	8 par produit ÉPIX	Gradateur, programmes automatiques, stroboscope et vitesse de gradation
5-Section	15 par produit ÉPIX	Contrôle de la sortie LED en 5 sections de LED
10-Section	30 par produit ÉPIX	Contrôle de la sortie LED en 10 sections de LED
25-Section	75 par produit ÉPIX	Contrôle de la sortie LED en 25 sections de LED
50-Section	150 par produit ÉPIX	Contrôle de la sortie LED en 50 sections de LED



Dans les modes « LED Section », tous les appareils ÉPIX s'ajustent sur le même nombre de canaux. Par exemple, en mode 10 sections, un ÉPIX Bar Tour sera contrôlé avec 10 sections de 15 LED, alors qu'un ÉPIX Strip IP 50 sera contrôlé en 10 sections de 5 LED.

Connexion Art-Net™

Art-Net™ est un protocole Ethernet par TCP/IP qui permet de transférer de grandes quantités de données DMX512 en utilisant une connexion etherCON RJ45 sur un grand réseau. Une introduction au protocole Art-Net™ est disponible sur le site internet www.chauvetprofessional.com. Art-Net™ conçu et droit d'auteur par Artistic Licence Holdings Ltd.



Cet appareil n'a pas été conçu pour répondre aux contrôleurs émettant en mode Broadcast (diffusion) via le protocole Art-Net™. Pour obtenir les meilleurs résultats, utilisez le mode Unicast. Pour plus d'informations sur le protocole de contrôle utilisé par votre contrôleur, veuillez contacter le fabricant de votre contrôleur.

Connexion Kling-Net

Kling-Net est un protocole réseau qui permet la configuration automatique des appareils d'affichage en utilisant une connexion Ethernet etherCON RJ45. Référez-vous au manuel du logiciel ArKaos pour des instructions détaillées sur la programmation de cet appareil.



Pour un fonctionnement sans problème, le protocole ArKaos Kling-Net nécessite l'utilisation d'une carte réseau Ethernet gigabit (1000 Mbps) et d'un routeur.

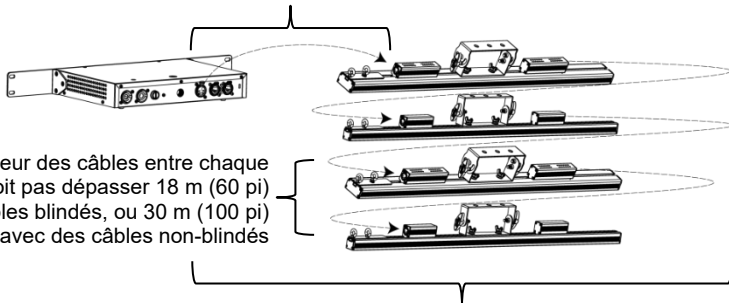
Connexion sACN

Également appelé ANSI E1.31, le streaming ACN est un protocole Ethernet qui utilise les couches et le formatage de l'Architecture for Control Networks pour transporter des données DMX512 par IP ou tout autre réseau compatible ACN.

Connexion d'appareils ÉPIX

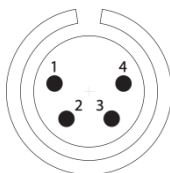
Le ÉPIX Drive 900 est l'alimentation de la gamme d'appareils ÉPIX Tour et ÉPIX IP. Chaque appareil doit être chaîné électriquement en série.

La longueur des câbles entre le ÉPIX Drive 900 et le 1er appareil ne doit pas dépasser 20 m (65 pi) avec des câbles blindés, ou 45 m (150 pi) avec des câbles non-blindés



La longueur des câbles entre chaque appareil ne doit pas dépasser 18 m (60 pi) avec des câbles blindés, ou 30 m (100 pi) avec des câbles non-blindés

La longueur totale de câbles ne doit pas dépasser 64 m (210 pi) avec des câbles blindés, ou 91 m (300 pi) avec des câbles non blindés



Câbles d'intérieur

- 1 = Puissance + (Calibre AWG 16 ou plus)
- 2 = Données + (Calibre 18–24)
- 3 = Données - (Calibre 18–24)
- 4 = Puissance - (Calibre AWG 16 ou plus)



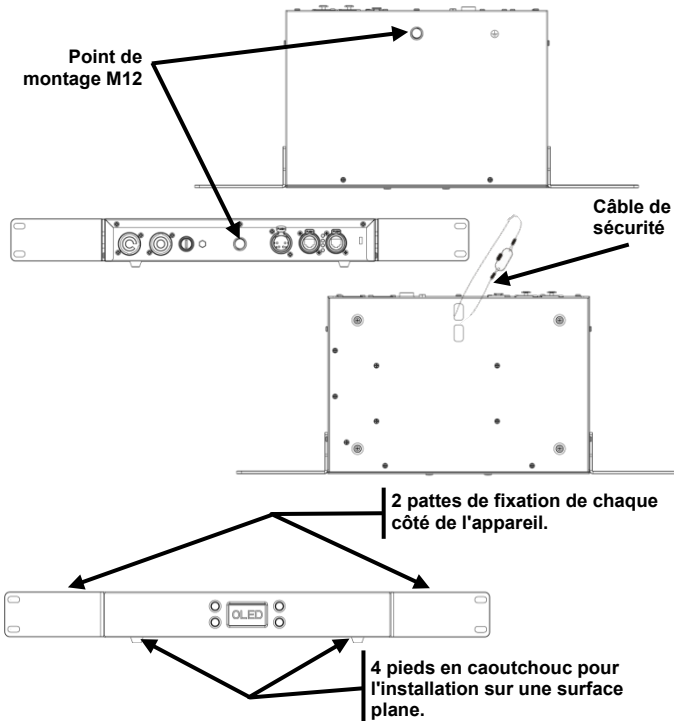
- Le ÉPIX Drive 900 peut prendre en charge de nombreux appareils chaînés électriquement dans diverses configurations. Voici quelques exemples de configuration:
 - 18 appareils ÉPIX Strip Tour.
 - 36 appareils ÉPIX Strip Tour 50.
 - 6 appareils ÉPIX Bar Tour ou appareils ÉPIX Strip IP.
 - 12 appareils ÉPIX Strip IP 50.
 - 4 appareils ÉPIX Bar Tour et 6 appareils ÉPIX Strip Tour.
 - 15 appareils ÉPIX Strip Tour et 1 appareil ÉPIX Bar Tour.
- Assurez-vous que la longueur totale de câbles blindés XLR à 4 broches utilisés pour les connexions ne dépasse pas 64 m (210 pi). L'utilisation de câble non blindés augmente la longueur maximale de câble jusqu'à 91 m (300 pi) tel qu'indiqué dans le schéma ci-dessus. Veuillez télécharger le manuel d'utilisation à l'adresse www.chauvetprofessional.com pour plus de détails.



- Les câbles « Scroller » standard à 4 broches sont en règle générale blindés.
- L'utilisation de câbles avec protection IP sont recommandés pour l'utilisation des produits ÉPIX IP.

Montage Veuillez lire les [Consignes de sécurité](#) avant de monter cet appareil. Utilisez au moins un point de fixation par appareil. Assurez-vous que les fixations de montage peuvent supporter le poids de l'appareil. Pour prendre connaissance de la gamme de pinces de montage CHAUVET Professional, veuillez consulter le site internet à l'adresse <http://trusst.com/products/>. Les pattes de fixation ne sont pas livrés montés sur l'appareil.

Schéma de montage de l'appareil



Recommandations pour le montage Chauvet préconise de suivre les recommandations suivantes lors du montage de cet appareil:

- Assurez-vous de monter ce produit à l'écart de toute matière inflammable comme indiqué dans la section [Consignes de sécurité](#).
- Ne montez jamais l'appareil dans des endroits où la pluie, une humidité élevée, des changements de température extrêmes ou un manque de ventilation pourraient endommager l'appareil.
- Avant de choisir un emplacement, assurez-vous toujours qu'il soit facile d'accéder à l'appareil pour l'entretien et la programmation.
- Assurez-vous que la structure ou la surface sur laquelle vous installez l'appareil peut supporter le poids de l'appareil (voir la Manuel d'utilisation).
- En cas de montage de l'appareil en hauteur, veillez à toujours utiliser un câble de sécurité. Installez l'appareil de manière sécurisée à un point d'accroche, tel qu'une plateforme élevée ou une structure truss.
- Lors du montage du produit sur une structure, vous devez utiliser une pince de fixation de la capacité en poids appropriée.
- Lors de l'installation de cet appareil au sol, assurez-vous de tenir l'appareil et les câbles à l'écart des personnes et des véhicules.

Description du panneau de commande	Bouton	Fonction
	<MENU>	Permet de sortir du menu ou de la fonction en cours et de naviguer vers le bas dans la liste de menu principal.
	<ENTER>	Active l'entrée de menu actuellement affichée ou confirme la valeur actuellement sélectionnée pour la fonction en cours de sélection.
	<UP>	Permet de naviguer vers le haut dans la liste du menu ou d'incrémenter une valeur numérique dans une fonction.
	<DOWN>	Permet de naviguer vers le bas dans la liste du menu ou de décrémenter une valeur numérique dans une fonction.

Options du menu

Menu principal	Niveaux de programmation		Description	
Auto Address	No		Permet de trouver et d'adresser automatiquement les appareils	
	Yes			
View Linked Fixture	1. _* - 36. _**		Affiche les appareils connectés dans l'ordre ** - L'affichage indique ÉPIX Strip tour, ÉPIX Bar Tour ou rien du tout	
LED Output	Off		Permet d'éteindre toutes les LED	
	Red		LED rouges au maximum	
	Green		LED vertes au maximum	
	Blue		LED bleues au maximum	
	White		LED blanches au maximum	
	Fade		Roulement de couleur en fondu au maximum	
	Scroll		Roulement arc-en-ciel au maximum	
Protocol	Art-Net		Permet de sélectionner le protocole et de déterminer quelles autres options de menu sont disponibles	
	Kling-Net			
	sACN			
Display Inverse	No		Permet de faire tourner l'affichage de 180°	
Factory Reset	Yes			
Ethernet Setting	Personality	Pixel		Permet de définir la personnalité de contrôle (voir Personnalités de contrôle)
		7-CH-Drive		
		8-CH-fixture		
		5-Section		
		10-Section		
		25-Section		
	Universe	000-246 (Art-Net™)		Permet de définir les 6 univers Art-Net™ ou sACN consécutifs les plus bas auxquels le ÉPIX Drive 900 est affecté
		001-247 (sACN)		
	IP Address	IP Address #1	*_*.x.x.x	Permet de définir les adresses IP du ÉPIX Drive 900. Remarque : Les adresses ne peuvent pas être les mêmes
		IP Address #2		
IP Address #3				
IP Address #4				
IP Address #5				
IP Address #6				
DMX Address		1-506		Permet de sélectionner l'adresse de démarrage



Chaque ÉPIX Drive 900 utilise 6 univers consécutifs qui sont affectés à partir du niveau principal de l'univers de départ.

Control Values

Mode	Canal	Fonction	Valeur	Pourcentage/Paramétrage
« Pixel » (3 canaux par LED)	1	Rouge 1	000 ⇔ 255	0–100%
	2	Vert 1	000 ⇔ 255	0–100%
	3	Bleu 1	000 ⇔ 255	0–100%
	4	Rouge 2	000 ⇔ 255	0–100%
	5	Vert 2	000 ⇔ 255	0–100%
	6	Bleu 2	000 ⇔ 255	0–100%
	7	Rouge 3	000 ⇔ 255	0–100%
	8	Vert 3	000 ⇔ 255	0–100%
	9	Bleu 3	000 ⇔ 255	0–100%
	10	Rouge 4	000 ⇔ 255	0–100%
	11	Vert 4	000 ⇔ 255	0–100%
	12	Bleu 4	000 ⇔ 255	0–100%
	13	Rouge 5	000 ⇔ 255	0–100%
	14	Vert 5	000 ⇔ 255	0–100%
	15	Bleu 5	000 ⇔ 255	0–100%
	16	Rouge 6	000 ⇔ 255	0–100%
	17	Vert 6	000 ⇔ 255	0–100%
	18	Bleu 6	000 ⇔ 255	0–100%
	19	Rouge 7	000 ⇔ 255	0–100%
	20	Vert 7	000 ⇔ 255	0–100%
	21	Bleu 7	000 ⇔ 255	0–100%
	22	Rouge 8	000 ⇔ 255	0–100%
	23	Vert 8	000 ⇔ 255	0–100%
	24	Bleu 8	000 ⇔ 255	0–100%
	25	Rouge 9	000 ⇔ 255	0–100%
	26	Vert 9	000 ⇔ 255	0–100%
	27	Bleu 9	000 ⇔ 255	0–100%
	28	Rouge 10	000 ⇔ 255	0–100%
	29	Vert 10	000 ⇔ 255	0–100%
	30	Bleu 10	000 ⇔ 255	0–100%
...
	433	Rouge 145	000 ⇔ 255	0–100%
	434	Vert 145	000 ⇔ 255	0–100%
	435	Bleu 145	000 ⇔ 255	0–100%
	436	Rouge 146	000 ⇔ 255	0–100%
	437	Vert 146	000 ⇔ 255	0–100%
	438	Bleu 146	000 ⇔ 255	0–100%
	439	Rouge 147	000 ⇔ 255	0–100%
	440	Vert 147	000 ⇔ 255	0–100%
	441	Bleu 147	000 ⇔ 255	0–100%
	442	Rouge 148	000 ⇔ 255	0–100%
	443	Vert 148	000 ⇔ 255	0–100%
	444	Bleu 148	000 ⇔ 255	0–100%
	445	Rouge 149	000 ⇔ 255	0–100%
	446	Vert 149	000 ⇔ 255	0–100%
	447	Bleu 149	000 ⇔ 255	0–100%
	448	Rouge 150	000 ⇔ 255	0–100%
	449	Vert 150	000 ⇔ 255	0–100%
	450	Bleu 150	000 ⇔ 255	0–100%

Mode « 7-CH-Drive »	Canal	Fonction	Valeur	Pourcentage/Paramétrage
	1	Gradateur	000 ⇔ 255	0–100%
	2	Rouge	000 ⇔ 255	0–100%
	3	Vert	000 ⇔ 255	0–100%
	4	Bleu	000 ⇔ 255	0–100%
	5	Programmes automatiques	000 ⇔ 010	Pas de fonction
			011 ⇔ 024	Programme automatique 1
			025 ⇔ 038	Programme automatique 2
			039 ⇔ 051	Programme automatique 3
			052 ⇔ 065	Programme automatique 4
			066 ⇔ 078	Programme automatique 5
			079 ⇔ 092	Programme automatique 6
			093 ⇔ 105	Programme automatique 7
			106 ⇔ 119	Programme automatique 8
			120 ⇔ 133	Programme automatique 9
			134 ⇔ 146	Programme automatique 10
			147 ⇔ 160	Programme automatique 11
			161 ⇔ 173	Programme automatique 12
			174 ⇔ 187	Programme automatique 13
			188 ⇔ 200	Programme automatique 14
			201 ⇔ 214	Programme automatique 15
			215 ⇔ 227	Programme automatique 16
	228 ⇔ 241	Programme automatique 17		
		242 ⇔ 255	Toute les programmes (programmes 1–17)	
	6	Vitesse	000 ⇔ 255	0–100%
	7	Stroboscope	000 ⇔ 010	Pas de fonction
			011 ⇔ 255	Stroboscope, lente à rapide

Mode « 8-CH-fixture »	Canal	Fonction	Valeur	Pourcentage/Paramétrage
	1	Gradateur	000 ⇔ 255	0–100%
	2	Rouge	000 ⇔ 255	0–100%
	3	Vert	000 ⇔ 255	0–100%
	4	Bleu	000 ⇔ 255	0–100%
	5	Programmes automatiques	000 ⇔ 010	Pas de fonction
			011 ⇔ 024	Programme automatique 1
			025 ⇔ 038	Programme automatique 2
			039 ⇔ 051	Programme automatique 3
			052 ⇔ 065	Programme automatique 4
			066 ⇔ 078	Programme automatique 5
			079 ⇔ 092	Programme automatique 6
			093 ⇔ 105	Programme automatique 7
			106 ⇔ 119	Programme automatique 8
			120 ⇔ 133	Programme automatique 9
			134 ⇔ 146	Programme automatique 10
			147 ⇔ 160	Programme automatique 11
			161 ⇔ 173	Programme automatique 12
			174 ⇔ 187	Programme automatique 13
			188 ⇔ 200	Programme automatique 14
			201 ⇔ 214	Programme automatique 15
			215 ⇔ 227	Programme automatique 16
	228 ⇔ 241	Programme automatique 17		
	242 ⇔ 255	Toute les programmes (programmes 1–17)		
	6	Vitesse	000 ⇔ 255	0–100%
	7	Stroboscope	000 ⇔ 010	Pas de fonction
			011 ⇔ 255	Stroboscope, lente à rapide
	8	Vitesse de gradation	000 ⇔ 101	Gradateur linéaire
			102 ⇔ 152	Gradateur vite
			153 ⇔ 203	Gradateur moyen
			204 ⇔ 255	Gradateur lent

Mode « 5-Section »	Canal	Fonction	Valeur	Pourcentage/Paramétrage	
(15 canaux par produit ÉPIX)	1	Rouge 1	000 ⇔ 255	0-100%	Section 1
	2	Vert 1	000 ⇔ 255	0-100%	
	3	Bleu 1	000 ⇔ 255	0-100%	
	4	Rouge 2	000 ⇔ 255	0-100%	Section 2
	5	Vert 2	000 ⇔ 255	0-100%	
	6	Bleu 2	000 ⇔ 255	0-100%	Section 3
	7	Rouge 3	000 ⇔ 255	0-100%	
	8	Vert 3	000 ⇔ 255	0-100%	
	9	Bleu 3	000 ⇔ 255	0-100%	Section 4
	10	Rouge 4	000 ⇔ 255	0-100%	
	11	Vert 4	000 ⇔ 255	0-100%	Section 5
	12	Bleu 4	000 ⇔ 255	0-100%	
	13	Rouge 5	000 ⇔ 255	0-100%	
	14	Vert 5	000 ⇔ 255	0-100%	Section 5
	15	Bleu 5	000 ⇔ 255	0-100%	

Mode « 10-Section » (30 canaux par produit ÉPIX)	Canal	Fonction	Valeur	Pourcentage/Paramétrage	
	1	Rouge 1	000 ⇔ 255	0–100%	Section 1
	2	Vert 1	000 ⇔ 255	0–100%	
	3	Bleu 1	000 ⇔ 255	0–100%	
	4	Rouge 2	000 ⇔ 255	0–100%	Section 2
	5	Vert 2	000 ⇔ 255	0–100%	
	6	Bleu 2	000 ⇔ 255	0–100%	
	7	Rouge 3	000 ⇔ 255	0–100%	Section 3
	8	Vert 3	000 ⇔ 255	0–100%	
	9	Bleu 3	000 ⇔ 255	0–100%	
	10	Rouge 4	000 ⇔ 255	0–100%	Section 4
	11	Vert 4	000 ⇔ 255	0–100%	
	12	Bleu 4	000 ⇔ 255	0–100%	
	13	Rouge 5	000 ⇔ 255	0–100%	Section 5
	14	Vert 5	000 ⇔ 255	0–100%	
	15	Bleu 5	000 ⇔ 255	0–100%	
	16	Rouge 6	000 ⇔ 255	0–100%	Section 6
	17	Vert 6	000 ⇔ 255	0–100%	
	18	Bleu 6	000 ⇔ 255	0–100%	
	19	Rouge 7	000 ⇔ 255	0–100%	Section 7
	20	Vert 7	000 ⇔ 255	0–100%	
	21	Bleu 7	000 ⇔ 255	0–100%	
	22	Rouge 8	000 ⇔ 255	0–100%	Section 8
	23	Vert 8	000 ⇔ 255	0–100%	
	24	Bleu 8	000 ⇔ 255	0–100%	
	25	Rouge 9	000 ⇔ 255	0–100%	Section 9
	26	Vert 9	000 ⇔ 255	0–100%	
	27	Bleu 9	000 ⇔ 255	0–100%	
	28	Rouge 10	000 ⇔ 255	0–100%	Section 10
	29	Vert 10	000 ⇔ 255	0–100%	
	30	Bleu 10	000 ⇔ 255	0–100%	

Mode « 25-Section » (75 canaux par produit ÉPIX)	Canal	Fonction	Valeur	Pourcentage/Paramétrage	
	1	Rouge 1	000 ⇔ 255	0-100%	Section 1
	2	Vert 1	000 ⇔ 255	0-100%	
	3	Bleu 1	000 ⇔ 255	0-100%	
	4	Rouge 2	000 ⇔ 255	0-100%	Section 2
	5	Vert 2	000 ⇔ 255	0-100%	
	6	Bleu 2	000 ⇔ 255	0-100%	Section 3
	7	Rouge 3	000 ⇔ 255	0-100%	
	8	Vert 3	000 ⇔ 255	0-100%	
	9	Bleu 3	000 ⇔ 255	0-100%	Section 4
	10	Rouge 4	000 ⇔ 255	0-100%	
	11	Vert 4	000 ⇔ 255	0-100%	Section 5
	12	Bleu 4	000 ⇔ 255	0-100%	
	13	Rouge 5	000 ⇔ 255	0-100%	
	14	Vert 5	000 ⇔ 255	0-100%	Section 6
	15	Bleu 5	000 ⇔ 255	0-100%	
	16	Rouge 6	000 ⇔ 255	0-100%	Section 7
	17	Vert 6	000 ⇔ 255	0-100%	
	18	Bleu 6	000 ⇔ 255	0-100%	
	19	Rouge 7	000 ⇔ 255	0-100%	Section 8
	20	Vert 7	000 ⇔ 255	0-100%	
	21	Bleu 7	000 ⇔ 255	0-100%	Section 9
	22	Rouge 8	000 ⇔ 255	0-100%	
	23	Vert 8	000 ⇔ 255	0-100%	
	24	Bleu 8	000 ⇔ 255	0-100%	Section 10
	25	Rouge 9	000 ⇔ 255	0-100%	
	26	Vert 9	000 ⇔ 255	0-100%	Section 11
	27	Bleu 9	000 ⇔ 255	0-100%	
	28	Rouge 10	000 ⇔ 255	0-100%	
	29	Vert 10	000 ⇔ 255	0-100%	Section 12
	30	Bleu 10	000 ⇔ 255	0-100%	
	31	Rouge 11	000 ⇔ 255	0-100%	Section 13
	32	Vert 11	000 ⇔ 255	0-100%	
	33	Bleu 11	000 ⇔ 255	0-100%	
	34	Rouge 12	000 ⇔ 255	0-100%	Section 14
	35	Vert 12	000 ⇔ 255	0-100%	
	36	Bleu 12	000 ⇔ 255	0-100%	Section 15
	37	Rouge 13	000 ⇔ 255	0-100%	
	38	Vert 13	000 ⇔ 255	0-100%	
	39	Bleu 13	000 ⇔ 255	0-100%	Section 16
	40	Rouge 14	000 ⇔ 255	0-100%	
	41	Vert 14	000 ⇔ 255	0-100%	Section 17
	42	Bleu 14	000 ⇔ 255	0-100%	
	43	Rouge 15	000 ⇔ 255	0-100%	
	44	Vert 15	000 ⇔ 255	0-100%	Section 18
	45	Bleu 15	000 ⇔ 255	0-100%	
	46	Rouge 16	000 ⇔ 255	0-100%	Section 19
	47	Vert 16	000 ⇔ 255	0-100%	
	48	Bleu 16	000 ⇔ 255	0-100%	
	49	Rouge 17	000 ⇔ 255	0-100%	Section 20
	50	Vert 17	000 ⇔ 255	0-100%	
	51	Bleu 17	000 ⇔ 255	0-100%	

Canal	Fonction	Valeur	Pourcentage/Paramétrage	
52	Rouge 18	000 ⇔ 255	0–100%	Section 18
53	Vert 18	000 ⇔ 255	0–100%	
54	Bleu 18	000 ⇔ 255	0–100%	
55	Rouge 19	000 ⇔ 255	0–100%	Section 19
56	Vert 19	000 ⇔ 255	0–100%	
57	Bleu 19	000 ⇔ 255	0–100%	
58	Rouge 20	000 ⇔ 255	0–100%	Section 20
59	Vert 20	000 ⇔ 255	0–100%	
60	Bleu 20	000 ⇔ 255	0–100%	
61	Rouge 21	000 ⇔ 255	0–100%	Section 21
62	Vert 21	000 ⇔ 255	0–100%	
63	Bleu 21	000 ⇔ 255	0–100%	
64	Rouge 22	000 ⇔ 255	0–100%	Section 22
65	Vert 22	000 ⇔ 255	0–100%	
66	Bleu 22	000 ⇔ 255	0–100%	
67	Rouge 23	000 ⇔ 255	0–100%	Section 23
68	Vert 23	000 ⇔ 255	0–100%	
69	Bleu 23	000 ⇔ 255	0–100%	
70	Rouge 24	000 ⇔ 255	0–100%	Section 24
71	Vert 24	000 ⇔ 255	0–100%	
72	Bleu 24	000 ⇔ 255	0–100%	
73	Rouge 25	000 ⇔ 255	0–100%	Section 25
74	Vert 25	000 ⇔ 255	0–100%	
75	Bleu 25	000 ⇔ 255	0–100%	

Mode « 50-Section » (150 canaux par produit ÉPIX)	Canal	Fonction	Valeur	Pourcentage/Paramétrage	
	1	Rouge 1	000 ⇔ 255	0-100%	Section 1
	2	Vert 1	000 ⇔ 255	0-100%	
	3	Bleu 1	000 ⇔ 255	0-100%	
	4	Rouge 2	000 ⇔ 255	0-100%	Section 2
	5	Vert 2	000 ⇔ 255	0-100%	
	6	Bleu 2	000 ⇔ 255	0-100%	Section 3
	7	Rouge 3	000 ⇔ 255	0-100%	
	8	Vert 3	000 ⇔ 255	0-100%	
	9	Bleu 3	000 ⇔ 255	0-100%	Section 4
	10	Rouge 4	000 ⇔ 255	0-100%	
	11	Vert 4	000 ⇔ 255	0-100%	Section 5
	12	Bleu 4	000 ⇔ 255	0-100%	
	13	Rouge 5	000 ⇔ 255	0-100%	
	14	Vert 5	000 ⇔ 255	0-100%	Section 6
	15	Bleu 5	000 ⇔ 255	0-100%	
	16	Rouge 6	000 ⇔ 255	0-100%	Section 7
	17	Vert 6	000 ⇔ 255	0-100%	
	18	Bleu 6	000 ⇔ 255	0-100%	
	19	Rouge 7	000 ⇔ 255	0-100%	Section 8
	20	Vert 7	000 ⇔ 255	0-100%	
	21	Bleu 7	000 ⇔ 255	0-100%	Section 9
	22	Rouge 8	000 ⇔ 255	0-100%	
	23	Vert 8	000 ⇔ 255	0-100%	
	24	Bleu 8	000 ⇔ 255	0-100%	Section 10
	25	Rouge 9	000 ⇔ 255	0-100%	
	26	Vert 9	000 ⇔ 255	0-100%	Section 11
	27	Bleu 9	000 ⇔ 255	0-100%	
	28	Rouge 10	000 ⇔ 255	0-100%	
	29	Vert 10	000 ⇔ 255	0-100%	Section 12
	30	Bleu 10	000 ⇔ 255	0-100%	
	31	Rouge 11	000 ⇔ 255	0-100%	Section 13
	32	Vert 11	000 ⇔ 255	0-100%	
	33	Bleu 11	000 ⇔ 255	0-100%	
	34	Rouge 12	000 ⇔ 255	0-100%	Section 14
	35	Vert 12	000 ⇔ 255	0-100%	
	36	Bleu 12	000 ⇔ 255	0-100%	Section 15
	37	Rouge 13	000 ⇔ 255	0-100%	
	38	Vert 13	000 ⇔ 255	0-100%	
	39	Bleu 13	000 ⇔ 255	0-100%	Section 16
	40	Rouge 14	000 ⇔ 255	0-100%	
	41	Vert 14	000 ⇔ 255	0-100%	Section 17
	42	Bleu 14	000 ⇔ 255	0-100%	
	43	Rouge 15	000 ⇔ 255	0-100%	
	44	Vert 15	000 ⇔ 255	0-100%	Section 18
	45	Bleu 15	000 ⇔ 255	0-100%	
	46	Rouge 16	000 ⇔ 255	0-100%	Section 19
	47	Vert 16	000 ⇔ 255	0-100%	
	48	Bleu 16	000 ⇔ 255	0-100%	
	49	Rouge 17	000 ⇔ 255	0-100%	Section 20
	50	Vert 17	000 ⇔ 255	0-100%	
	51	Bleu 17	000 ⇔ 255	0-100%	

Canal	Fonction	Valeur	Pourcentage/Paramétrage	
52	Rouge 18	000 ⇔ 255	0–100%	Section 18
53	Vert 18	000 ⇔ 255	0–100%	
54	Bleu 18	000 ⇔ 255	0–100%	
55	Rouge 19	000 ⇔ 255	0–100%	Section 19
56	Vert 19	000 ⇔ 255	0–100%	
57	Bleu 19	000 ⇔ 255	0–100%	
58	Rouge 20	000 ⇔ 255	0–100%	Section 20
59	Vert 20	000 ⇔ 255	0–100%	
60	Bleu 20	000 ⇔ 255	0–100%	
61	Rouge 21	000 ⇔ 255	0–100%	Section 21
62	Vert 21	000 ⇔ 255	0–100%	
63	Bleu 21	000 ⇔ 255	0–100%	
64	Rouge 22	000 ⇔ 255	0–100%	Section 22
65	Vert 22	000 ⇔ 255	0–100%	
66	Bleu 22	000 ⇔ 255	0–100%	
67	Rouge 23	000 ⇔ 255	0–100%	Section 23
68	Vert 23	000 ⇔ 255	0–100%	
69	Bleu 23	000 ⇔ 255	0–100%	
70	Rouge 24	000 ⇔ 255	0–100%	Section 24
71	Vert 24	000 ⇔ 255	0–100%	
72	Bleu 24	000 ⇔ 255	0–100%	
73	Rouge 25	000 ⇔ 255	0–100%	Section 25
74	Vert 25	000 ⇔ 255	0–100%	
75	Bleu 25	000 ⇔ 255	0–100%	
76	Rouge 26	000 ⇔ 255	0–100%	Section 26
77	Vert 26	000 ⇔ 255	0–100%	
78	Bleu 26	000 ⇔ 255	0–100%	
79	Rouge 27	000 ⇔ 255	0–100%	Section 27
80	Vert 27	000 ⇔ 255	0–100%	
81	Bleu 27	000 ⇔ 255	0–100%	
82	Rouge 28	000 ⇔ 255	0–100%	Section 28
83	Vert 28	000 ⇔ 255	0–100%	
84	Bleu 28	000 ⇔ 255	0–100%	
85	Rouge 29	000 ⇔ 255	0–100%	Section 29
86	Vert 29	000 ⇔ 255	0–100%	
87	Bleu 29	000 ⇔ 255	0–100%	
88	Rouge 30	000 ⇔ 255	0–100%	Section 30
89	Vert 30	000 ⇔ 255	0–100%	
90	Bleu 30	000 ⇔ 255	0–100%	
91	Rouge 31	000 ⇔ 255	0–100%	Section 31
92	Vert 31	000 ⇔ 255	0–100%	
93	Bleu 31	000 ⇔ 255	0–100%	
94	Rouge 32	000 ⇔ 255	0–100%	Section 32
95	Vert 32	000 ⇔ 255	0–100%	
96	Bleu 32	000 ⇔ 255	0–100%	
97	Rouge 33	000 ⇔ 255	0–100%	Section 33
98	Vert 33	000 ⇔ 255	0–100%	
99	Bleu 33	000 ⇔ 255	0–100%	
100	Rouge 34	000 ⇔ 255	0–100%	Section 34
101	Vert 34	000 ⇔ 255	0–100%	
102	Bleu 34	000 ⇔ 255	0–100%	

Canal	Fonction	Valeur	Pourcentage/Paramétrage	
103	Rouge 35	000 ⇄ 255	0-100%	Section 35
104	Vert 35	000 ⇄ 255	0-100%	
105	Bleu 35	000 ⇄ 255	0-100%	
106	Rouge 36	000 ⇄ 255	0-100%	Section 36
107	Vert 36	000 ⇄ 255	0-100%	
108	Bleu 36	000 ⇄ 255	0-100%	
109	Rouge 37	000 ⇄ 255	0-100%	Section 37
110	Vert 37	000 ⇄ 255	0-100%	
111	Bleu 37	000 ⇄ 255	0-100%	
112	Rouge 38	000 ⇄ 255	0-100%	Section 38
113	Vert 38	000 ⇄ 255	0-100%	
114	Bleu 38	000 ⇄ 255	0-100%	
115	Rouge 39	000 ⇄ 255	0-100%	Section 39
116	Vert 39	000 ⇄ 255	0-100%	
117	Bleu 39	000 ⇄ 255	0-100%	
118	Rouge 40	000 ⇄ 255	0-100%	Section 40
119	Vert 40	000 ⇄ 255	0-100%	
120	Bleu 40	000 ⇄ 255	0-100%	
121	Rouge 41	000 ⇄ 255	0-100%	Section 41
122	Vert 41	000 ⇄ 255	0-100%	
123	Bleu 41	000 ⇄ 255	0-100%	
124	Rouge 42	000 ⇄ 255	0-100%	Section 42
125	Vert 42	000 ⇄ 255	0-100%	
126	Bleu 42	000 ⇄ 255	0-100%	
127	Rouge 43	000 ⇄ 255	0-100%	Section 43
128	Vert 43	000 ⇄ 255	0-100%	
129	Bleu 43	000 ⇄ 255	0-100%	
130	Rouge 44	000 ⇄ 255	0-100%	Section 44
131	Vert 44	000 ⇄ 255	0-100%	
132	Bleu 44	000 ⇄ 255	0-100%	
133	Rouge 45	000 ⇄ 255	0-100%	Section 45
134	Vert 45	000 ⇄ 255	0-100%	
135	Bleu 45	000 ⇄ 255	0-100%	
136	Rouge 46	000 ⇄ 255	0-100%	Section 46
137	Vert 46	000 ⇄ 255	0-100%	
138	Bleu 46	000 ⇄ 255	0-100%	
139	Rouge 47	000 ⇄ 255	0-100%	Section 47
140	Vert 47	000 ⇄ 255	0-100%	
141	Bleu 47	000 ⇄ 255	0-100%	
142	Rouge 48	000 ⇄ 255	0-100%	Section 48
143	Vert 48	000 ⇄ 255	0-100%	
144	Bleu 48	000 ⇄ 255	0-100%	
145	Rouge 49	000 ⇄ 255	0-100%	Section 49
146	Vert 49	000 ⇄ 255	0-100%	
147	Bleu 49	000 ⇄ 255	0-100%	
148	Rouge 50	000 ⇄ 255	0-100%	Section 50
149	Vert 50	000 ⇄ 255	0-100%	
150	Bleu 50	000 ⇄ 255	0-100%	

Over deze handleiding De ÉPIX Drive 900 Beknopte Handleiding (BH) bevat basisinformatie over het product, zoals aansluiting, montage, menu-opties en DMX-waarden. Download de gebruikershandleiding op www.chauvetprofessional.com voor meer informatie.

Disclaimer De informatie en specificaties in deze BH kunnen zonder voorafgaande kennisgeving worden gewijzigd.

BEPERKTE GARANTIE GA NAAR ONZE WEBSITE VOOR REGISTRATIE VAN DE GARANTIE EN DE VOLLEDIGE ALGEMENE VOORWAARDEN.

Voor klanten in de Verenigde Staten en Mexico: www.chauvetlighting.com/warranty-registration.
Voor klanten in het Verenigd Koninkrijk, Ierland, België, Nederland, Luxemburg, Frankrijk en Duitsland: www.chauvetlighting.eu/warranty-registration.

Chauvet garandeert dat dit product bij normaal gebruik vrij zal blijven van defecten in materiaal en vakmanschap, voor de opgegeven periode en onder voorbehoud van de uitzonderingen en beperkingen die zijn uiteengezet in de volledige beperkte garantie op onze website. Deze garantie geldt uitsluitend voor de oorspronkelijke koper van het product en is niet overdraagbaar. Om onder deze garantie rechten uit te oefenen, moet u een aankoopbewijs overleggen in de vorm van een origineel verkoopbewijs van een geautoriseerde dealer, waarop de naam van het product en de aankoopdatum zichtbaar zijn. ER ZIJN GEEN ANDERE EXPLICIETE OF IMPLICIETE GARANTIES. Deze garantie geeft u specifieke wettelijke rechten. Mogelijk heeft u ook andere rechten die van staat tot staat en van land tot land verschillen. Deze garantie is uitsluitend geldig in de Verenigde Staten, het Verenigd Koninkrijk, Ierland, België, Nederland, Luxemburg, Frankrijk, Duitsland en Mexico. Neem contact op met uw lokale verkoper voor garantievoorwaarden in andere landen.

Veiligheids-instructies

- Open het product NIET. Het bevat geen te onderhouden onderdelen.
- Om onnodige slijtage te elimineren en zijn levensduur te verlengen, gedurende perioden wanneer het product niet wordt gebruikt, moet u het product van de stroom afsluiten door een aardlekschakelaar om te zetten of door het te ontkoppelen.
- LET OP: De behuizing van dit product kan heet zijn wanneer het in bedrijf is.
- Dek de ventilatiesleuven tijdens gebruik niet af om inwendige oververhitting te vermijden.
- Monteer dit product op een plek met voldoende ventilatie, ten minste 50 cm van de aangrenzende oppervlakken.
- Plaats GEEN ontvlambaar materiaal binnen 50 cm van dit product als het in gebruik is of is aangesloten op het stopcontact.
- LET OP: Bij het verplaatsen van het product uit extreme omgevingen, (bijv. koude vrachtwagen naar warme, vochtige balzaal) kan er condensvorming optreden op de elektronica van het product. Om storingen te vermijden moet het product volledig kunnen acclimatiseren aan de omgeving voordat het op stroom wordt aangesloten.
- GEBRUIK een veiligheidskabel bij het boven het hoofd plaatsen van dit product.
- Gebruik dit product NIET buitenshuis of op een locatie waar stof, grote warmte, water of vochtigheid het kunnen beïnvloeden. (IP20)
- Gebruik dit product NIET als de behuizing, I/O-poorten of kabels beschadigd lijken. Laat de beschadigde onderdelen direct vervangen door een bevoegd technicus van Chauvet.
- Sluit dit product NIET aan op een dimmer of een regelweerstand.
- Sluit dit product UITSLUITEND op een geaard en beveiligd stroomcircuit.
- Stop in het geval van ernstige operationele problemen onmiddellijk met het gebruik.
- De maximale omgevingstemperatuur bedraagt 45 °C. Gebruik dit product niet bij hogere temperaturen.

Contact Van buiten de VS, Verenigd Koninkrijk, Ierland, Mexico of Benelux kunt u contact opnemen met de distributeur of om ondersteuning vragen dan wel het product retourneren. Maak vanuit de VS, het VK, Ierland, Mexico of de Benelux gebruik van de informatie onder [Contact Us](#) aan het einde van deze BH.

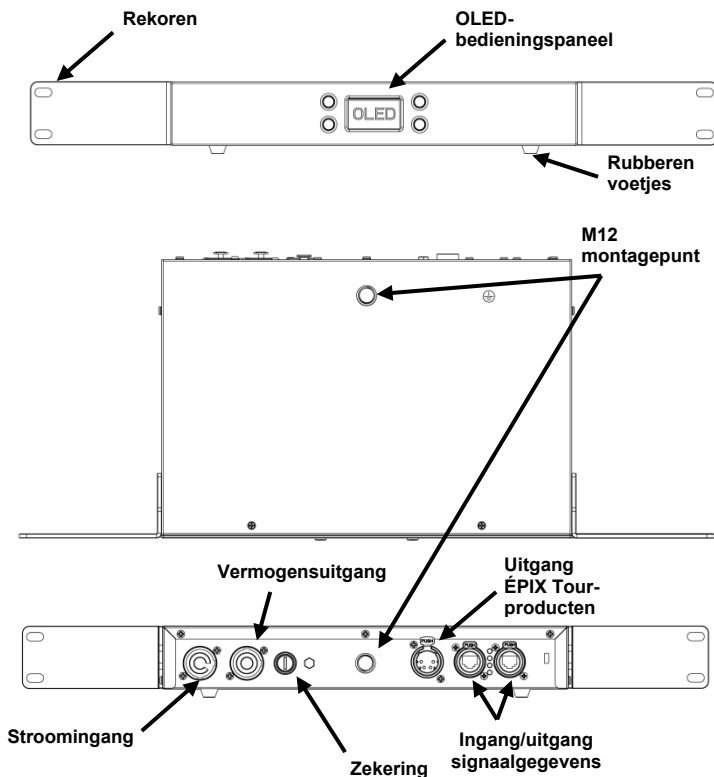
Wat is inbegrepen

- ÉPIX Drive 900
- Neutrik® powerCON®-stroomsnoer
- Rekoren (2)
- Zak met rekoorschroeven
- Rubberen voetjes (4)
- Beknopte handleiding



Neem bij missende onderdelen contact op met de plaatselijke dealer waar u het product hebt aangeschaft.

Productoverzicht



AC-stroom Dit product heeft een voeding met automatisch bereik die werkt met een ingangsspanning van 100–240 VAC, 50/60 Hz.

Power Linking U kunt tot 6 ÉPIX Drive 900-producten koppelen bij 120 V, 11 producten bij 208 V of 12 producten bij 230 V. Dit aantal niet overschrijden. Power Linking-snoeren kunnen apart aangeschaft worden.

AC-stekker

Aansluiting	Snoer (VS)	Snoer (Europa)	Schroefkleur
AC Live	Zwart	Bruin	Geel/messing
AC Neutraal	Wit	Blauw	Zilver
AC Aarde	Groen/geel	Groen/geel	Groen



Om onnodige slijtage te elimineren en zijn levensduur te verlengen, gedurende perioden wanneer het product niet wordt gebruikt, moet u het product van de stroom afsluiten door een aardlekschakelaar om te zetten of door het te ontkoppelen.

De zekering vervangen

1. Ontkoppel dit product van de stroom.
2. Gebruik een platkopschroevendraaier en schroef de kap van de zekeringhouder los van de behuizing.
3. Verwijder de doorgebrande zekering en vervang het met een werkende zekering van hetzelfde type en met dezelfde waarde.
4. Schroef de kap van de zekeringhouder terug en steek de stekker er weer in.

Signaal-verbindingen De ÉPIX Drive 900 is met een controller te koppelen of met controllersoftware met behulp van een ethernetverbinding. Als andere Art-Net™, sACN of Kling-Net-compatibele producten worden gebruikt met de ÉPIX Drive 900, kunnen ze allemaal individueel worden aangestuurd op een enkel netwerk. Zie de gebruikershandleiding voor meer informatie over het verbinden en configureren van het product voor deze signalen.

Aansturingspersoonlijkheden De ÉPIX Drive 900 gebruikt Art-Net™ en sACN voor zijn aanstuurpersoonlijkheden:

Persoonlijkheid	Kanalen	Beschrijving
Pixel	3 per LED (150 per ÉPIX Strip Tour) (450 per ÉPIX Bar Tour)	Volledige pixelregeling
7-CH-Drive	7	Dimmer, automatische programma's en stroboscoop
8-CH-fixture	8 per ÉPIX-product	Dimmer, automatische programma's, stroboscoop en dimmersnelheid
5-Section	15 per ÉPIX-product	Controleert LED-uitvoer in 5 secties van LED's
10-Section	30 per ÉPIX-product	Controleert LED-uitvoer in 10 secties van LED's
25-Section	75 per ÉPIX-product	Controleert LED-uitvoer in 25 secties van LED's
50-Section	150 per ÉPIX-product	Controleert LED-uitvoer in 50 secties van LED's



In de LED-sectiemodi schalen alle ÉPIX-producten naar hetzelfde aantal kanalen. In 10-sectionmodi, wordt een ÉPIX Bar Tour bijvoorbeeld in 10 secties van 15 LED's aangestuurd, terwijl ÉPIX Strip IP 50 in 10 secties van 5 LED's aangestuurd wordt.

Art-Net™-verbinding Art-Net™ is een ethernet-protocol dat gebruikmaakt van TCP/IP dat over een groot netwerk grote hoeveelheden DMX512-gegevens verzendt met behulp van een etherCON RJ45-verbinding. Een Art-Net™-protocoldocument is te verkrijgen op www.chauvetprofessional.com. Art-Net™ ontworpen en auteursrecht door Artistic Licence Holdings Ltd.



Dit product is niet ontworpen om te reageren op regelmatig die verzenden in Broadcast-modus via Art-Net™. Gebruik Unicast-modus voor de beste resultaten. Voor informatie over welk regelprotocol uw regelmatig gebruikt kunt u contact opnemen met de fabrikant van uw controller.

sACN-verbinding Streaming-ACN staat ook wel bekend als ANSI E1.31 en is een ethernetprotocol dat de laag- en opmaakstructuur gebruikt van Architecture for Control Networks om DMX512-gegevens te transporteren over IP of een ander ACN compatibel netwerk.

Kling-Net-verbinding Kling-Net is een netwerkprotocol dat de automatische configuratie van displayapparaten met een etherCON RJ45 Ethernet-verbinding mogelijk maakt. Raadpleeg de ArKaos softwarehandleiding voor uitgebreide instructies over het programmeren van dit product.

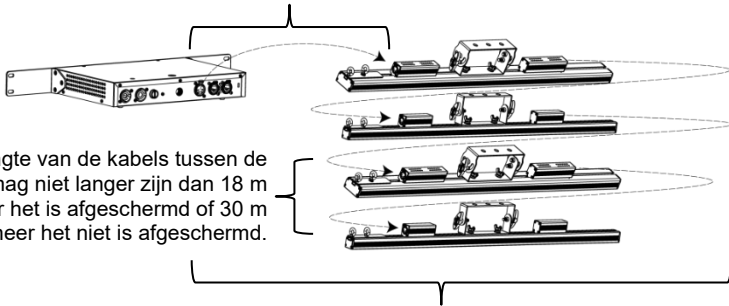


Voor een goede werking heeft de ArKaos Kling-Net een gigabit (1000 Mbps) Ethernet-kaart en een netwerkrouter nodig.

Verbinden van ÉPIX-producten

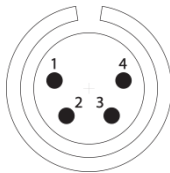
De ÉPIX Drive 900 is de voeding voor de ÉPIX Tour-en ÉPIX IP serie producten. Elk product moet in serie zijn verbonden.

De lengte van de kabels tussen de ÉPIX Drive 900 en het 1e product mag niet langer zijn dan 20 m wanneer het is afgeschermd of 45 m wanneer het niet is afgeschermd.



De lengte van de kabels tussen de producten mag niet langer zijn dan 18 m wanneer het is afgeschermd of 30 m wanneer het niet is afgeschermd.

De totale lengte van de kabels mag niet langer zijn dan 64 m wanneer ze zijn afgeschermd of 91 m wanneer ze niet zijn afgeschermd.



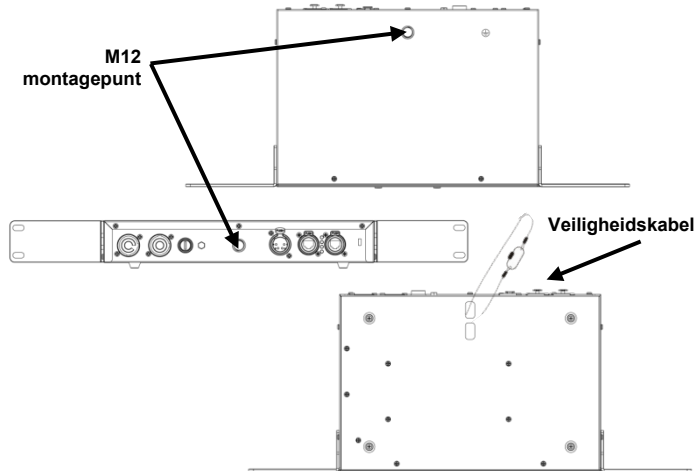
Kabels binnenshuis

- 1 = Vermogen + (16 AWG of groter)
- 2 = Gegevens + (18-24 AWG)
- 3 = Gegevens - (18-24 AWG)
- 4 = Vermogen - (16 AWG of groter)

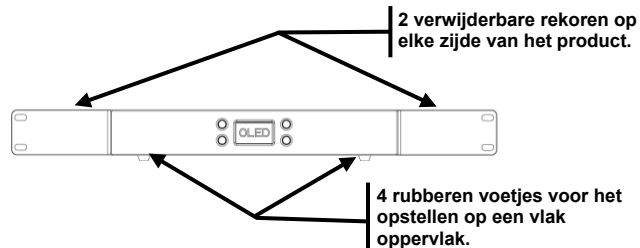
- De ÉPIX Drive 900 kan verschillende ÉPIX-producten ondersteunen die in serie zijn verbonden in de verschillende configuraties. Voorbeeldconfiguraties omvatten:
 - 18 ÉPIX Strip Tour-producten.
 - 36 ÉPIX Strip Tour 50 producten.
 - 6 ÉPIX Bar Tour-producten of ÉPIX Strip IP-producten.
 - 12 ÉPIX Strip IP 50 producten.
 - 4 ÉPIX Bar Tour-producten en 6 ÉPIX Strip Tour-producten.
 - 15 ÉPIX Strip Tour-producten en 1 ÉPIX Bar Tour-product.
- **Zorg ervoor dat de totale lengte van de verbonden afgeschermd 4-pins XLR-kabels niet langer is dan 64 m. Het gebruik van onafgeschermd 4-pins XLR-kabels vergroot de maximum kabellengtes naar 91 m, zoals is afgebeeld in het bovenstaande diagram. Download de gebruikershandleiding van www.chauvetprofessional.com voor meer informatie.**
- Standaard 4-pins XLR “scroller-kabels” zijn meestal afgeschermd.
- Bij het gebruik van ÉPIX IP-producten worden kabels met IP-classificatie aanbevolen.



Montage Lees alvorens dit product te monteren alle [Veiligheidsinstructies](#). Gebruik ten minste één montagepunt per product. Controleer of de montageklemmen het gewicht van het product kunnen dragen. Ga voor onze CHAUVET Professional-serie montageklemmen naar <http://trusst.com/products/>. De rekmontage-oren worden niet-aangesloten op het product verstuurd.



**Montage-
diagram van
het product**



Montage-richtlijnen Chauvet beveelt de volgende richtlijnen aan bij het monteren van dit product:

- Houd dit product uit de buurt van ontvlambaar materiaal, zoals ook is aangegeven in de sectie [Veiligheidsinstructies](#).
- Nooit monteren op plekken waar regen, hoge vochtigheid, extreme temperatuurwisselingen of beperkte ventilatie het product kunnen beïnvloeden.
- Vóór het nemen van een besluit over de locatie, moet u er altijd voor zorgen dat er eenvoudige toegang is tot het product, voor onderhoud en programmering.
- Controleer of de constructie of het oppervlak waar u het product op monteert het gewicht van het product kan dragen (zie de Gebruikershandleiding).
- Gebruik altijd een veiligheidskabel wanneer het product boven lichaamshoogte wordt gemonteerd. Monteer het product stevig aan een bevestigingspunt, zoals een verhoogd platform of een spant.
- Bij het opbouwen van het product op een spant, moet u een montageklem gebruiken met voldoende draagvermogen.
- Wanneer het product op de vloer wordt gemonteerd moet u er voor zorgen dat het product en de kabels uit de buurt van mensen en voertuigen liggen.

Beschrijving bedieningspaneel	Toets	Functie
	<MENU>	Sluit het huidige menu of de functie af en navigeert omlaag naar de hoofdmenulijst
	<ENTER>	Activeert het huidige getoonde menu of plaatst de huidige geselecteerde waarde in de geselecteerde functie
	<UP>	Navigeert omhoog via het menu of verhoogt de numerieke waarde wanneer in een functie
	<DOWN>	Navigeert omlaag via het menu of verlaagt de numerieke waarde wanneer in een functie

Menupap

Hoofdniveau	Programmeerniveaus	Beschrijving		
Auto Address	Yes	Vindt en adresseert de producten automatisch		
	No			
View Linked Fixture	1. _** – 36. _**	Toont de verbonden producten op volgorde ** - Het display toont ÉPIX Strip tour, ÉPIX Bar Tour, of niets		
LED Output	Off	Schakel de LED-uitgang uit		
	Red	Rode LED's op maximaal vermogen		
	Green	Groene LED's op maximaal vermogen		
	Blue	Blauwe LED's op maximaal vermogen		
	White	Witte LED's op maximaal vermogen		
	Fade	Fade kleurenwijziging op maximaal vermogen		
Protocol	Scroll	Regenboogrol op maximaal vermogen		
	Art-Net	Selecteert het protocol en bepaalt welke andere menuopties beschikbaar zijn		
	Kling-Net			
Display Inverse	sACN	Draait display 180 graden		
	Yes			
Factory Reset	No	Herstelt product naar de standaard fabrieksinstellingen		
	Yes			
Ethernet Setting	Personality	Pixel	Stelt de aansturingpersoonlijkheid (zie Aansturingpersoonlijkheden)	
		7-CH-Drive		
		8-CH-fixture		
		5-Section		
		10-Section		
		25-Section		
	Universe	000–246 (Art-Net™)	Bepaalt de laagste van de 6 opeenvolgende Art-Net™ of sACN universums, de ÉPIX Drive 900 is toegewezen aan	
		001–247 (sACN)		
	IP Address	IP Address #1	*1–126 (Art-Net™) *1–255 (sACN) x = 0–255	Stelt de IP-adressen in voor de ÉPIX Drive 900 Let op: De adressen mogen niet hetzelfde zijn
		IP Address #2		
IP Address #3				
IP Address #4				
IP Address #5				
IP Address #6				
DMX Address	1–506	Selecteert het DMX-startadres		



Elke ÉPIX Drive 900 gebruikt 6 opeenvolgende universums die zijn toegewezen vanaf het hoofdniveau van het startuniversum.

Regelwaarden

“Pixel” Modus (3 kanalen per LED)	Kanaal	Functie	Waarde	Percentage/Instelling
	1	Rood 1	000 ⇔ 255	0–100%
	2	Groen 1	000 ⇔ 255	0–100%
	3	Blauw 1	000 ⇔ 255	0–100%
	4	Rood 2	000 ⇔ 255	0–100%
	5	Groen 2	000 ⇔ 255	0–100%
	6	Blauw 2	000 ⇔ 255	0–100%
	7	Rood 3	000 ⇔ 255	0–100%
	8	Groen 3	000 ⇔ 255	0–100%
	9	Blauw 3	000 ⇔ 255	0–100%
	10	Rood 4	000 ⇔ 255	0–100%
	11	Groen 4	000 ⇔ 255	0–100%
	12	Blauw 4	000 ⇔ 255	0–100%
	13	Rood 5	000 ⇔ 255	0–100%
	14	Groen 5	000 ⇔ 255	0–100%
	15	Blauw 5	000 ⇔ 255	0–100%
	16	Rood 6	000 ⇔ 255	0–100%
	17	Groen 6	000 ⇔ 255	0–100%
	18	Blauw 6	000 ⇔ 255	0–100%
	19	Rood 7	000 ⇔ 255	0–100%
	20	Groen 7	000 ⇔ 255	0–100%
	21	Blauw 7	000 ⇔ 255	0–100%
	22	Rood 8	000 ⇔ 255	0–100%
	23	Groen 8	000 ⇔ 255	0–100%
	24	Blauw 8	000 ⇔ 255	0–100%
	25	Rood 9	000 ⇔ 255	0–100%
	26	Groen 9	000 ⇔ 255	0–100%
	27	Blauw 9	000 ⇔ 255	0–100%
	28	Rood 10	000 ⇔ 255	0–100%
	29	Groen 10	000 ⇔ 255	0–100%
	30	Blauw 10	000 ⇔ 255	0–100%

	433	Rood 145	000 ⇔ 255	0–100%
	434	Groen 145	000 ⇔ 255	0–100%
	435	Blauw 145	000 ⇔ 255	0–100%
	436	Rood 146	000 ⇔ 255	0–100%
	437	Groen 146	000 ⇔ 255	0–100%
	438	Blauw 146	000 ⇔ 255	0–100%
	439	Rood 147	000 ⇔ 255	0–100%
	440	Groen 147	000 ⇔ 255	0–100%
	441	Blauw 147	000 ⇔ 255	0–100%
	442	Rood 148	000 ⇔ 255	0–100%
	443	Groen 148	000 ⇔ 255	0–100%
	444	Blauw 148	000 ⇔ 255	0–100%
	445	Rood 149	000 ⇔ 255	0–100%
	446	Groen 149	000 ⇔ 255	0–100%
	447	Blauw 149	000 ⇔ 255	0–100%
	448	Rood 150	000 ⇔ 255	0–100%
	449	Groen 150	000 ⇔ 255	0–100%
	450	Blauw 150	000 ⇔ 255	0–100%

“7-CH-Drive” Modus	Kanaal	Functie	Waarde	Percentage/Instelling
	1	Dimmer	000 ⇔ 255	0–100%
	2	Rood	000 ⇔ 255	0–100%
	3	Groen	000 ⇔ 255	0–100%
	4	Blauw	000 ⇔ 255	0–100%
			000 ⇔ 010	Geen functie
			011 ⇔ 024	Automatische programma 1
			025 ⇔ 038	Automatische programma 2
			039 ⇔ 051	Automatische programma 3
			052 ⇔ 065	Automatische programma 4
			066 ⇔ 078	Automatische programma 5
			079 ⇔ 092	Automatische programma 6
			093 ⇔ 105	Automatische programma 7
			106 ⇔ 119	Automatische programma 8
	5	Automatische Programma's	120 ⇔ 133	Automatische programma 9
			134 ⇔ 146	Automatische programma 10
			147 ⇔ 160	Automatische programma 11
			161 ⇔ 173	Automatische programma 12
			174 ⇔ 187	Automatische programma 13
			188 ⇔ 200	Automatische programma 14
			201 ⇔ 214	Automatische programma 15
			215 ⇔ 227	Automatische programma 16
			228 ⇔ 241	Automatische programma 17
			242 ⇔ 255	Alle programma's (programma's 1–17)
	6	Snelheid	000 ⇔ 255	0–100%
			000 ⇔ 010	Geen functie
	7	Stroboscoop	011 ⇔ 255	Stroboscoop, langzaam tot snel

“8-CH- fixture” Modus	Kanaal	Functie	Waarde	Percentage/Instelling
	1	Dimmer	000 ⇔ 255	0–100%
	2	Rood	000 ⇔ 255	0–100%
	3	Groen	000 ⇔ 255	0–100%
	4	Blauw	000 ⇔ 255	0–100%
	5	Automatische Programma's	000 ⇔ 010	Geen functie
			011 ⇔ 024	Automatische programma 1
			025 ⇔ 038	Automatische programma 2
			039 ⇔ 051	Automatische programma 3
			052 ⇔ 065	Automatische programma 4
			066 ⇔ 078	Automatische programma 5
			079 ⇔ 092	Automatische programma 6
			093 ⇔ 105	Automatische programma 7
			106 ⇔ 119	Automatische programma 8
			120 ⇔ 133	Automatische programma 9
			134 ⇔ 146	Automatische programma 10
			147 ⇔ 160	Automatische programma 11
			161 ⇔ 173	Automatische programma 12
			174 ⇔ 187	Automatische programma 13
			188 ⇔ 200	Automatische programma 14
			201 ⇔ 214	Automatische programma 15
			215 ⇔ 227	Automatische programma 16
	228 ⇔ 241	Automatische programma 17		
	242 ⇔ 255	Alle programma's (programma's 1–17)		
	6	Snelheid	000 ⇔ 255	0–100%
	7	Stroboscoop	000 ⇔ 010	Geen functie
			011 ⇔ 255	Stroboscoop, langzaam tot snel
	8	Dimmersnelheid modus	000 ⇔ 101	Lineaire dimmer
			102 ⇔ 152	Snelle dimmer
			153 ⇔ 203	Gemiddelde dimmer
			204 ⇔ 255	Langzame dimmer

“5-Section” Modus (15 kanalen per ÉPIX- product)	Kanaal	Functie	Waarde	Percentage/Instelling	
	1	Rood 1	000 ⇔ 255	0–100%	Sectie 1
	2	Groen 1	000 ⇔ 255	0–100%	
	3	Blaauw 1	000 ⇔ 255	0–100%	
	4	Rood 2	000 ⇔ 255	0–100%	Sectie 2
	5	Groen 2	000 ⇔ 255	0–100%	
	6	Blaauw 2	000 ⇔ 255	0–100%	
	7	Rood 3	000 ⇔ 255	0–100%	Sectie 3
	8	Groen 3	000 ⇔ 255	0–100%	
	9	Blaauw 3	000 ⇔ 255	0–100%	
	10	Rood 4	000 ⇔ 255	0–100%	Sectie 4
	11	Groen 4	000 ⇔ 255	0–100%	
	12	Blaauw 4	000 ⇔ 255	0–100%	
	13	Rood 5	000 ⇔ 255	0–100%	Sectie 5
	14	Groen 5	000 ⇔ 255	0–100%	
	15	Blaauw 5	000 ⇔ 255	0–100%	

“10- Section” Modus (30 kanalen per ÉPIX- product)	Kanaal	Functie	Waarde	Percentage/Instelling	
	1	Rood 1	000 ⇔ 255	0–100%	Sectie 1
	2	Groen 1	000 ⇔ 255	0–100%	
	3	Blaauw 1	000 ⇔ 255	0–100%	
	4	Rood 2	000 ⇔ 255	0–100%	Sectie 2
	5	Groen 2	000 ⇔ 255	0–100%	
	6	Blaauw 2	000 ⇔ 255	0–100%	
	7	Rood 3	000 ⇔ 255	0–100%	Sectie 3
	8	Groen 3	000 ⇔ 255	0–100%	
	9	Blaauw 3	000 ⇔ 255	0–100%	
	10	Rood 4	000 ⇔ 255	0–100%	Sectie 4
	11	Groen 4	000 ⇔ 255	0–100%	
	12	Blaauw 4	000 ⇔ 255	0–100%	
	13	Rood 5	000 ⇔ 255	0–100%	Sectie 5
	14	Groen 5	000 ⇔ 255	0–100%	
	15	Blaauw 5	000 ⇔ 255	0–100%	
	16	Rood 6	000 ⇔ 255	0–100%	Sectie 6
	17	Groen 6	000 ⇔ 255	0–100%	
	18	Blaauw 6	000 ⇔ 255	0–100%	
	19	Rood 7	000 ⇔ 255	0–100%	Sectie 7
	20	Groen 7	000 ⇔ 255	0–100%	
	21	Blaauw 7	000 ⇔ 255	0–100%	
	22	Rood 8	000 ⇔ 255	0–100%	Sectie 8
	23	Groen 8	000 ⇔ 255	0–100%	
	24	Blaauw 8	000 ⇔ 255	0–100%	
	25	Rood 9	000 ⇔ 255	0–100%	Sectie 9
	26	Groen 9	000 ⇔ 255	0–100%	
	27	Blaauw 9	000 ⇔ 255	0–100%	
	28	Rood 10	000 ⇔ 255	0–100%	Sectie 10
	29	Groen 10	000 ⇔ 255	0–100%	
	30	Blaauw 10	000 ⇔ 255	0–100%	

“25- Section” Modus (75 kanalen per ÉPIX- product)	Kanaal	Functie	Waarde	Percentage/Instelling	
	1	Rood 1		000 ⇄ 255	0–100%
2	Groen 1		000 ⇄ 255	0–100%	
3	Blaauw 1		000 ⇄ 255	0–100%	
4	Rood 2		000 ⇄ 255	0–100%	Sectie 2
5	Groen 2		000 ⇄ 255	0–100%	
6	Blaauw 2		000 ⇄ 255	0–100%	
7	Rood 3		000 ⇄ 255	0–100%	Sectie 3
8	Groen 3		000 ⇄ 255	0–100%	
9	Blaauw 3		000 ⇄ 255	0–100%	
10	Rood 4		000 ⇄ 255	0–100%	Sectie 4
11	Groen 4		000 ⇄ 255	0–100%	
12	Blaauw 4		000 ⇄ 255	0–100%	
13	Rood 5		000 ⇄ 255	0–100%	Sectie 5
14	Groen 5		000 ⇄ 255	0–100%	
15	Blaauw 5		000 ⇄ 255	0–100%	
16	Rood 6		000 ⇄ 255	0–100%	Sectie 6
17	Groen 6		000 ⇄ 255	0–100%	
18	Blaauw 6		000 ⇄ 255	0–100%	
19	Rood 7		000 ⇄ 255	0–100%	Sectie 7
20	Groen 7		000 ⇄ 255	0–100%	
21	Blaauw 7		000 ⇄ 255	0–100%	
22	Rood 8		000 ⇄ 255	0–100%	Sectie 8
23	Groen 8		000 ⇄ 255	0–100%	
24	Blaauw 8		000 ⇄ 255	0–100%	
25	Rood 9		000 ⇄ 255	0–100%	Sectie 9
26	Groen 9		000 ⇄ 255	0–100%	
27	Blaauw 9		000 ⇄ 255	0–100%	
28	Rood 10		000 ⇄ 255	0–100%	Sectie 10
29	Groen 10		000 ⇄ 255	0–100%	
30	Blaauw 10		000 ⇄ 255	0–100%	
31	Rood 11		000 ⇄ 255	0–100%	Sectie 11
32	Groen 11		000 ⇄ 255	0–100%	
33	Blaauw 11		000 ⇄ 255	0–100%	
34	Rood 12		000 ⇄ 255	0–100%	Sectie 12
35	Groen 12		000 ⇄ 255	0–100%	
36	Blaauw 12		000 ⇄ 255	0–100%	
37	Rood 13		000 ⇄ 255	0–100%	Sectie 13
38	Groen 13		000 ⇄ 255	0–100%	
39	Blaauw 13		000 ⇄ 255	0–100%	
40	Rood 14		000 ⇄ 255	0–100%	Sectie 14
41	Groen 14		000 ⇄ 255	0–100%	
42	Blaauw 14		000 ⇄ 255	0–100%	
43	Rood 15		000 ⇄ 255	0–100%	Sectie 15
44	Groen 15		000 ⇄ 255	0–100%	
45	Blaauw 15		000 ⇄ 255	0–100%	
46	Rood 16		000 ⇄ 255	0–100%	Sectie 16
47	Groen 16		000 ⇄ 255	0–100%	
48	Blaauw 16		000 ⇄ 255	0–100%	
49	Rood 17		000 ⇄ 255	0–100%	Sectie 17
50	Groen 17		000 ⇄ 255	0–100%	
51	Blaauw 17		000 ⇄ 255	0–100%	

Channel	Function	Value	Percent/Setting	
52	Rood 18	000 ⇔ 255	0–100%	Sectie 18
53	Groen 18	000 ⇔ 255	0–100%	
54	Blaauw 18	000 ⇔ 255	0–100%	
55	Rood 19	000 ⇔ 255	0–100%	Sectie 19
56	Groen 19	000 ⇔ 255	0–100%	
57	Blaauw 19	000 ⇔ 255	0–100%	
58	Rood 20	000 ⇔ 255	0–100%	Sectie 20
59	Groen 20	000 ⇔ 255	0–100%	
60	Blaauw 20	000 ⇔ 255	0–100%	
61	Rood 21	000 ⇔ 255	0–100%	Sectie 21
62	Groen 21	000 ⇔ 255	0–100%	
63	Blaauw 21	000 ⇔ 255	0–100%	
64	Rood 22	000 ⇔ 255	0–100%	Sectie 22
65	Groen 22	000 ⇔ 255	0–100%	
66	Blaauw 22	000 ⇔ 255	0–100%	
67	Rood 23	000 ⇔ 255	0–100%	Sectie 23
68	Groen 23	000 ⇔ 255	0–100%	
69	Blaauw 23	000 ⇔ 255	0–100%	
70	Rood 24	000 ⇔ 255	0–100%	Sectie 24
71	Groen 24	000 ⇔ 255	0–100%	
72	Blaauw 24	000 ⇔ 255	0–100%	
73	Rood 25	000 ⇔ 255	0–100%	Sectie 25
74	Groen 25	000 ⇔ 255	0–100%	
75	Blaauw 25	000 ⇔ 255	0–100%	

“50- Section” Modus (150 kanalen per ÉPIX- product)	Kanaal	Functie	Waarde	Percentage/Instelling	
		1	Rood 1	000 ⇄ 255	0–100%
	2	Groen 1	000 ⇄ 255	0–100%	Sectie 1
	3	Blaauw 1	000 ⇄ 255	0–100%	
	4	Rood 2	000 ⇄ 255	0–100%	
	5	Groen 2	000 ⇄ 255	0–100%	Sectie 2
	6	Blaauw 2	000 ⇄ 255	0–100%	
	7	Rood 3	000 ⇄ 255	0–100%	
	8	Groen 3	000 ⇄ 255	0–100%	Sectie 3
	9	Blaauw 3	000 ⇄ 255	0–100%	
	10	Rood 4	000 ⇄ 255	0–100%	
	11	Groen 4	000 ⇄ 255	0–100%	Sectie 4
	12	Blaauw 4	000 ⇄ 255	0–100%	
	13	Rood 5	000 ⇄ 255	0–100%	
	14	Groen 5	000 ⇄ 255	0–100%	Sectie 5
	15	Blaauw 5	000 ⇄ 255	0–100%	
	16	Rood 6	000 ⇄ 255	0–100%	
	17	Groen 6	000 ⇄ 255	0–100%	Sectie 6
	18	Blaauw 6	000 ⇄ 255	0–100%	
	19	Rood 7	000 ⇄ 255	0–100%	
	20	Groen 7	000 ⇄ 255	0–100%	Sectie 7
	21	Blaauw 7	000 ⇄ 255	0–100%	
	22	Rood 8	000 ⇄ 255	0–100%	
	23	Groen 8	000 ⇄ 255	0–100%	Sectie 8
	24	Blaauw 8	000 ⇄ 255	0–100%	
	25	Rood 9	000 ⇄ 255	0–100%	
	26	Groen 9	000 ⇄ 255	0–100%	Sectie 9
	27	Blaauw 9	000 ⇄ 255	0–100%	
	28	Rood 10	000 ⇄ 255	0–100%	
	29	Groen 10	000 ⇄ 255	0–100%	Sectie 10
	30	Blaauw 10	000 ⇄ 255	0–100%	
	31	Rood 11	000 ⇄ 255	0–100%	
	32	Groen 11	000 ⇄ 255	0–100%	Sectie 11
	33	Blaauw 11	000 ⇄ 255	0–100%	
	34	Rood 12	000 ⇄ 255	0–100%	
	35	Groen 12	000 ⇄ 255	0–100%	Sectie 12
	36	Blaauw 12	000 ⇄ 255	0–100%	
	37	Rood 13	000 ⇄ 255	0–100%	
	38	Groen 13	000 ⇄ 255	0–100%	Sectie 13
	39	Blaauw 13	000 ⇄ 255	0–100%	
	40	Rood 14	000 ⇄ 255	0–100%	
	41	Groen 14	000 ⇄ 255	0–100%	Sectie 14
	42	Blaauw 14	000 ⇄ 255	0–100%	
	43	Rood 15	000 ⇄ 255	0–100%	
	44	Groen 15	000 ⇄ 255	0–100%	Sectie 15
	45	Blaauw 15	000 ⇄ 255	0–100%	
	46	Rood 16	000 ⇄ 255	0–100%	
	47	Groen 16	000 ⇄ 255	0–100%	Sectie 16
	48	Blaauw 16	000 ⇄ 255	0–100%	
	49	Rood 17	000 ⇄ 255	0–100%	
	50	Groen 17	000 ⇄ 255	0–100%	Sectie 17
	51	Blaauw 17	000 ⇄ 255	0–100%	

Channel	Function	Value	Percent/Setting	
52	Rood 18	000 ⇔ 255	0-100%	Sectie 18
53	Groen 18	000 ⇔ 255	0-100%	
54	Blauw 18	000 ⇔ 255	0-100%	
55	Rood 19	000 ⇔ 255	0-100%	Sectie 19
56	Groen 19	000 ⇔ 255	0-100%	
57	Blauw 19	000 ⇔ 255	0-100%	
58	Rood 20	000 ⇔ 255	0-100%	Sectie 20
59	Groen 20	000 ⇔ 255	0-100%	
60	Blauw 20	000 ⇔ 255	0-100%	
61	Rood 21	000 ⇔ 255	0-100%	Sectie 21
62	Groen 21	000 ⇔ 255	0-100%	
63	Blauw 21	000 ⇔ 255	0-100%	
64	Rood 22	000 ⇔ 255	0-100%	Sectie 22
65	Groen 22	000 ⇔ 255	0-100%	
66	Blauw 22	000 ⇔ 255	0-100%	
67	Rood 23	000 ⇔ 255	0-100%	Sectie 23
68	Groen 23	000 ⇔ 255	0-100%	
69	Blauw 23	000 ⇔ 255	0-100%	
70	Rood 24	000 ⇔ 255	0-100%	Sectie 24
71	Groen 24	000 ⇔ 255	0-100%	
72	Blauw 24	000 ⇔ 255	0-100%	
73	Rood 25	000 ⇔ 255	0-100%	Sectie 25
74	Groen 25	000 ⇔ 255	0-100%	
75	Blauw 25	000 ⇔ 255	0-100%	
76	Rood 26	000 ⇔ 255	0-100%	Sectie 26
77	Groen 26	000 ⇔ 255	0-100%	
78	Blauw 26	000 ⇔ 255	0-100%	
79	Rood 27	000 ⇔ 255	0-100%	Sectie 27
80	Groen 27	000 ⇔ 255	0-100%	
81	Blauw 27	000 ⇔ 255	0-100%	
82	Rood 28	000 ⇔ 255	0-100%	Sectie 28
83	Groen 28	000 ⇔ 255	0-100%	
84	Blauw 28	000 ⇔ 255	0-100%	
85	Rood 29	000 ⇔ 255	0-100%	Sectie 29
86	Groen 29	000 ⇔ 255	0-100%	
87	Blauw 29	000 ⇔ 255	0-100%	
88	Rood 30	000 ⇔ 255	0-100%	Sectie 30
89	Groen 30	000 ⇔ 255	0-100%	
90	Blauw 30	000 ⇔ 255	0-100%	
91	Rood 31	000 ⇔ 255	0-100%	Sectie 31
92	Groen 31	000 ⇔ 255	0-100%	
93	Blauw 31	000 ⇔ 255	0-100%	
94	Rood 32	000 ⇔ 255	0-100%	Sectie 32
95	Groen 32	000 ⇔ 255	0-100%	
96	Blauw 32	000 ⇔ 255	0-100%	
97	Rood 33	000 ⇔ 255	0-100%	Sectie 33
98	Groen 33	000 ⇔ 255	0-100%	
99	Blauw 33	000 ⇔ 255	0-100%	
100	Rood 34	000 ⇔ 255	0-100%	Sectie 34
101	Groen 34	000 ⇔ 255	0-100%	
102	Blauw 34	000 ⇔ 255	0-100%	

Channel	Red	Value	Percent/Setting	
103	Rood 35	000 ⇄ 255	0-100%	Sectie 35
104	Groen 35	000 ⇄ 255	0-100%	
105	Blaauw 35	000 ⇄ 255	0-100%	
106	Rood 36	000 ⇄ 255	0-100%	Sectie 36
107	Groen 36	000 ⇄ 255	0-100%	
108	Blaauw 36	000 ⇄ 255	0-100%	
109	Rood 37	000 ⇄ 255	0-100%	Sectie 37
110	Groen 37	000 ⇄ 255	0-100%	
111	Blaauw 37	000 ⇄ 255	0-100%	
112	Rood 38	000 ⇄ 255	0-100%	Sectie 38
113	Groen 38	000 ⇄ 255	0-100%	
114	Blaauw 38	000 ⇄ 255	0-100%	
115	Rood 39	000 ⇄ 255	0-100%	Sectie 39
116	Groen 39	000 ⇄ 255	0-100%	
117	Blaauw 39	000 ⇄ 255	0-100%	
118	Rood 40	000 ⇄ 255	0-100%	Sectie 40
119	Groen 40	000 ⇄ 255	0-100%	
120	Blaauw 40	000 ⇄ 255	0-100%	
121	Rood 41	000 ⇄ 255	0-100%	Sectie 41
122	Groen 41	000 ⇄ 255	0-100%	
123	Blaauw 41	000 ⇄ 255	0-100%	
124	Rood 42	000 ⇄ 255	0-100%	Sectie 42
125	Groen 42	000 ⇄ 255	0-100%	
126	Blaauw 42	000 ⇄ 255	0-100%	
127	Rood 43	000 ⇄ 255	0-100%	Sectie 43
128	Groen 43	000 ⇄ 255	0-100%	
129	Blaauw 43	000 ⇄ 255	0-100%	
130	Rood 44	000 ⇄ 255	0-100%	Sectie 44
131	Groen 44	000 ⇄ 255	0-100%	
132	Blaauw 44	000 ⇄ 255	0-100%	
133	Rood 45	000 ⇄ 255	0-100%	Sectie 45
134	Groen 45	000 ⇄ 255	0-100%	
135	Blaauw 45	000 ⇄ 255	0-100%	
136	Rood 46	000 ⇄ 255	0-100%	Sectie 46
137	Groen 46	000 ⇄ 255	0-100%	
138	Blaauw 46	000 ⇄ 255	0-100%	
139	Rood 47	000 ⇄ 255	0-100%	Sectie 47
140	Groen 47	000 ⇄ 255	0-100%	
141	Blaauw 47	000 ⇄ 255	0-100%	
142	Rood 48	000 ⇄ 255	0-100%	Sectie 48
143	Groen 48	000 ⇄ 255	0-100%	
144	Blaauw 48	000 ⇄ 255	0-100%	
145	Rood 49	000 ⇄ 255	0-100%	Sectie 49
146	Groen 49	000 ⇄ 255	0-100%	
147	Blaauw 49	000 ⇄ 255	0-100%	
148	Rood 50	000 ⇄ 255	0-100%	Sectie 50
149	Groen 50	000 ⇄ 255	0-100%	
150	Blaauw 50	000 ⇄ 255	0-100%	

Contact Us

General Information	Technical Support
Chauvet World Headquarters	
Address: 5200 NW 108th Avenue Sunrise, FL 33351 Voice: (954) 577-4455 Toll free: (800) 762-1084	Voice: (844) 393-7575 Email: chauvetcs@chauvetlighting.com Website: www.chauvetprofessional.com
Chauvet Europe Ltd	
Address: Unit 1C Brookhill Road Industrial Estate Pinxton, Nottingham, UK NG16 6NT Voice: +44 (0)1773 511115	Email: uktech@chauvetlighting.eu Website: www.chauvetprofessional.eu
Chauvet Europe BVBA	
Address: Stokstraat 18 9770 Kruishoutem Belgium Voice: +32 9 388 93 97	Email: BNLtech@chauvetlighting.eu Website: www.chauvetprofessional.eu
Chauvet France	
Address: 3, Rue Ampère 91380 Chilly-Mazarin France Voice: +33 1 78 85 33 59	Email: FRtech@chauvetlighting.fr Website: www.chauvetprofessional.eu
Chauvet Germany	
Address: Bruno-Bürgel-Str. 11 28759 Bremen Germany Voice: +49 421 62 60 20	Email: DEtech@chauvetlighting.de Website: www.chauvetprofessional.eu
Chauvet Mexico	
Address: Av. de las Partidas 34-3B (Entrance by Calle 2) Zona Industrial Lerma Lerma, Mexico C.P. 52000 Voice: +52 (728) 690-2010	Email: servicio@chauvet.com.mx Website: www.chauvetprofessional.mx Visit the applicable website above to verify our contact information and instructions to request support. Outside the U.S., United Kingdom, Ireland, Mexico, France, Germany, or Benelux, contact the dealer of record.



UL: 8750
 CSA C22.2 No. 250.13
 E113093



RoHS

