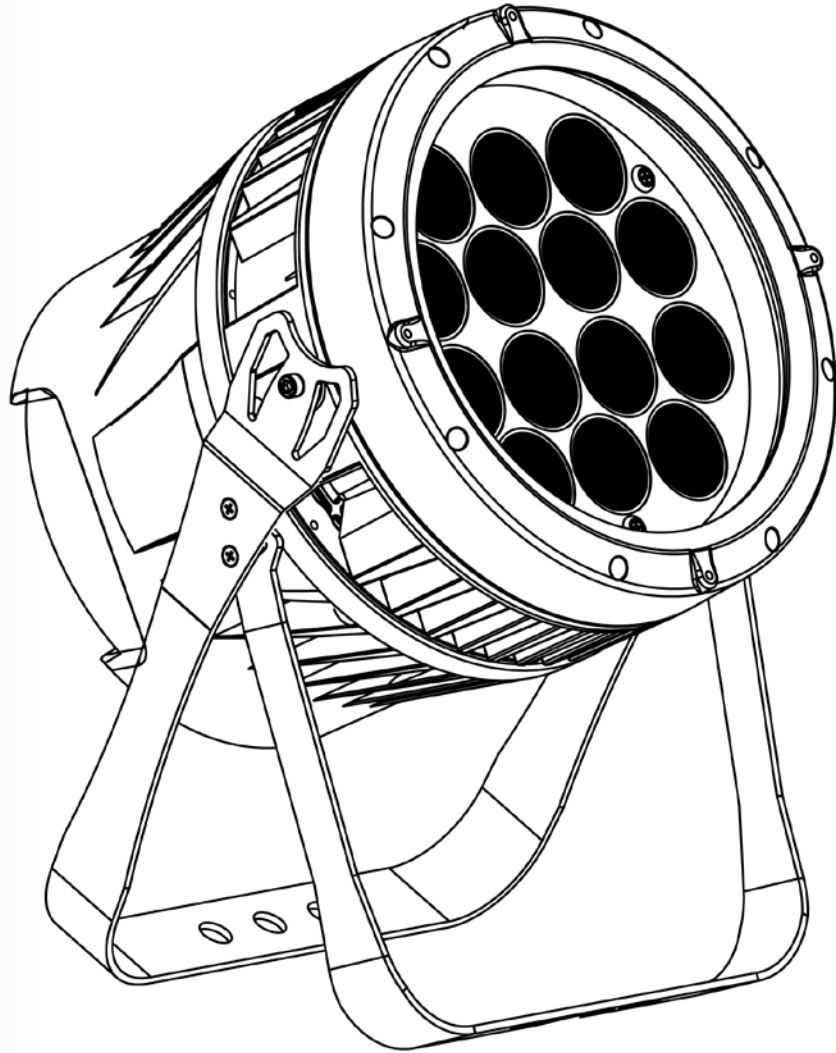


# COLORADO™ 2-QUAD ZOOM VW TOUR

## User Manual



  
**CHAUVET**®  
**PROFESSIONAL**

**Edition Notes** The COLORado™ 2-Quad Zoom VW Tour User Manual Rev. 3 covers the description, safety precautions, installation, programming, operation, and maintenance of the COLORado™ 2-Quad Zoom VW Tour. Chauvet released this edition of the COLORado™ 2-Quad Zoom VW Tour User Manual in April 2015.

**Trademarks** CHAUVET® is a registered trademark of CHAUVET & Sons LLC. (d/b/a CHAUVET® or Chauvet). The CHAUVET® logo in its entirety including the CHAUVET® name and the dotted triangle, and all other trademarks in this manual pertaining to services, products, or marketing statements are owned or licensed by Chauvet. Any other product names, logos, brands, company names, and other trademarks featured or referred to within this document are the property of their respective trademark holders.

**Copyright Notice** Chauvet owns the content of this User Manual in its entirety, including but not limited to pictures, logos, trademarks, and resources.

© Copyright 2015 Chauvet. All rights reserved.

Electronically published by Chauvet in the United States of America.

**Manual Use** Chauvet authorizes its customers to download and print this manual for professional information purposes only. Chauvet expressly prohibits the usage, copy, storage, distribution, modification, or printing of this manual or its content for any other purpose without written consent from Chauvet.

**Document Printing** For better results, print this document in color, on letter size paper (8.5 x 11 in), double-sided. If using A4 paper (210 x 297 mm), configure your printer to scale the content accordingly.

**Intended Audience** Any person in charge of installing, operating, and/or maintaining this product should completely read through the guide that shipped with the product, as well as this manual, before installing, operating, or maintaining this product.

**Disclaimer** Chauvet believes that the information contained in this manual is accurate in all respects. However, Chauvet assumes no responsibility for any errors or omissions in this document. Chauvet reserves the right to revise and make changes to the content of this document without obligation that Chauvet notify any person or company of such revision or changes. This does not in any way constitute a commitment by Chauvet to make such changes. Chauvet may issue a revision of this manual or a new edition to incorporate such changes.

**Document Revision** The COLORado™ 2-Quad Zoom VW Tour User Manual Rev. 3 supersedes all previous versions of this manual. Discard any older versions of this manual and replace with this version. Go to [www.chauvetprofessional.com](http://www.chauvetprofessional.com) for the latest version.

Author	Date	Editor	Date
D. Coupe	3/30/15	M. Trouard	4/9/15

# Table of Contents

- 1. Before You Begin ..... 1**
  - What Is Included ..... 1
    - Claims ..... 1
    - Manual Conventions ..... 1
    - Symbols ..... 1
  - Product At A Glance ..... 2
  - Safety Notes ..... 2
    - Personal Safety..... 2
    - Mounting And Rigging ..... 2
    - Power And Wiring ..... 2
    - Operation ..... 2
  - Expected LED Lifespan ..... 2
- 2. Introduction ..... 3**
  - Description ..... 3
  - Features ..... 3
  - Overview ..... 4
  - Dimensions ..... 5
- 3. Setup ..... 6**
  - AC Power ..... 6
    - AC Plug..... 6
  - Power Linking ..... 7
  - DMX Linking..... 7
    - DMX Personalities..... 7
    - Master/Slave Connectivity..... 7
  - Mounting ..... 8
    - Orientation ..... 8
    - Rigging ..... 8
    - Procedure ..... 8
- 4. Operation ..... 9**
  - Control Panel Description ..... 9
  - Control Options ..... 9
  - Programming ..... 9
  - Menu Map ..... 10
  - Configuration (Standalone)..... 11
    - Master/Slave ..... 11
    - Static Color ..... 11
    - Dimmer Curves ..... 11
    - Curve Settings..... 11
    - Control Panel Lock..... 12
    - Passcode ..... 12
    - Reset..... 12
    - Whites Setting..... 12
    - Calibration Lock Out..... 12
  - Configuration (DMX) ..... 13
    - DMX Personalities..... 13
    - DMX Control..... 13
    - Loss Of Signal Setting..... 13
    - Zoom Limit Setting ..... 13
  - DMX Values ..... 14
  - DMX Values (Cont.)..... 15

---

<b>5. Technical Information .....</b>	<b>16</b>
Product Maintenance.....	16
<b>6. Technical Specifications.....</b>	<b>17</b>
Returns .....	18
<b>Contact Us .....</b>	<b>18</b>

# 1. BEFORE YOU BEGIN

- What Is Included**
- COLORado™ 2-Quad Zoom VW Tour
  - Neutrik® powerCON® power cord
  - Gel frame holder (9 in/229 mm accessories)
  - Gel frame
  - Warranty card
  - Quick Reference Guide

**Claims** Carefully unpack the product immediately and check the box to make sure all the parts are in the package and are in good condition.




If the box or the contents (the product and included accessories) appear damaged from shipping or show signs of mishandling, notify the carrier immediately, not Chauvet. Failure to report damage to the carrier immediately may invalidate your claim. In addition, keep the box and contents for inspection.

For other issues, such as missing components or parts, damage not related to shipping, or concealed damage, file a claim with Chauvet within 7 days of delivery.

**Manual Conventions**

Convention	Meaning
<b>1–512</b>	A range of values in the text
<b>50/60</b>	A set of mutually exclusive values in the text
<b>&lt;SET&gt;</b>	A button on the product’s control panel
<b>Settings</b>	A product function or a menu option
<b>MENU&gt;Settings</b>	A sequence of menu options
<b>1–10</b>	A range of menu values from which to choose in a menu
<b>Yes/No</b>	A set of two mutually exclusive menu options in a menu
<b>ON</b>	A unique value to be entered or selected in a menu

**Symbols**

Symbols	Meaning
	Critical installation, configuration, or operation information. Failure to comply with this information may cause the product not to work, damage third-party equipment, or cause harm to the operator.
	Important installation or configuration information. Failure to comply with this information may keep the product from working.
	Useful information.



The term “DMX” used throughout this manual refers to the USITT DMX512-A digital data transmission protocol.

**Product At A Glance**

Use on Dimmer	X	Auto Programs	X
Outdoor Use	X	Auto-Ranging Power Supply	P
Sound-Activated	X	Replaceable Fuse	X
DMX	P	User-Serviceable	X
Master/Slave	P		

**Safety Notes**

Read all the following Safety Notes before working with this product. These notes include important information about the installation, usage, and maintenance of this product.



**This product contains no user-serviceable parts. Any reference to servicing in this User Manual will only apply to properly trained Chauvet certified technicians. Do not open the housing or attempt any repairs.**



**All applicable local codes and regulations apply to proper installation of this product.**

**Personal Safety**

- Avoid direct eye exposure to the light source while the product is on.
- Always disconnect this product from its power source before servicing.
- Always connect this product to a grounded circuit to avoid the risk of electrocution.
- Do not touch this product's housing during operation because it may be very hot.
- This product is for indoor use only! To prevent risk of fire or shock, do not expose this product to rain or moisture. (IP20)
- Mount this product in a location with adequate ventilation, at least 20 in (50 cm) from adjacent surfaces.
- CAUTION: When transferring product from extreme temperature environments, (e.g. cold truck to warm humid ballroom) condensation may form on the internal electronics of the product. To avoid causing a failure, allow product to fully acclimate to the surrounding environment before connecting it to power.

**Mounting And Rigging**

- Make sure there are no flammable materials close to this product while it is operating.
- When hanging this product, always secure to a fastening device using a safety cable.
- Always make sure you are connecting this product to the proper voltage in accordance with the specifications in this manual or on the product's specification label.
- Never connect this product to a dimmer pack or rheostat.
- Never disconnect this product by pulling or tugging on the power cable.

**Power And Wiring**

**Operation**

- Do not operate this product if you see damage on the housing, lenses, or cables. Have the damaged parts replaced by an authorized technician at once.
- To eliminate unnecessary wear and improve its lifespan, during periods of non-use completely disconnect the product from power via breaker or by unplugging it.
- Do not cover the ventilation slots when operating to avoid internal overheating.
- The maximum ambient temperature is 113 °F (45 °C). Do not operate this product at a higher temperature.
- In case of a serious operating problem, stop using this product immediately!



**In the unlikely event that your Chauvet product may require service, contact Chauvet Technical Support.**

**Expected LED Lifespan**

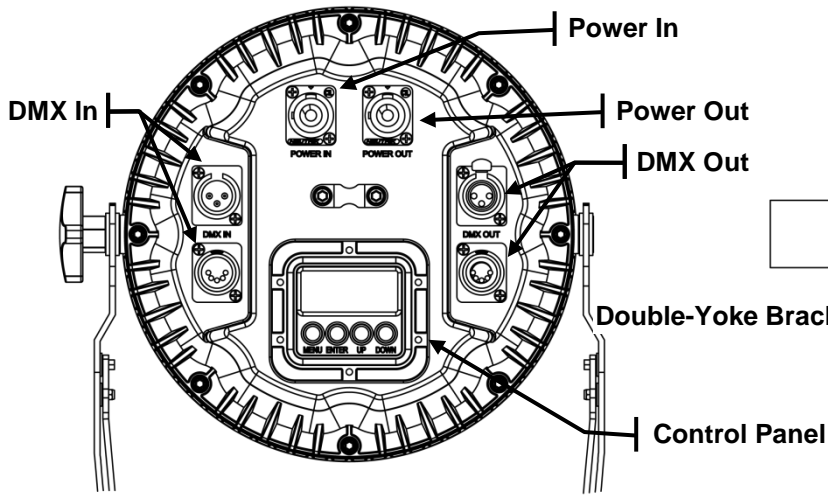
LEDs gradually decline in brightness over time, mostly because of heat. Packaged in clusters, LEDs exhibit higher operating temperatures than in ideal, single-LED conditions. For this reason, using clustered LEDs at their fullest intensity significantly reduces the LEDs' lifespan. Under normal conditions, this lifespan can be 40,000 to 50,000 hours. If extending this lifespan is vital, lower the operating temperature by improving the ventilation around the product and reducing the ambient temperature to an optimal operating range. In addition, limiting the overall projection intensity may also help to extend the LEDs' lifespan.

## 2. INTRODUCTION

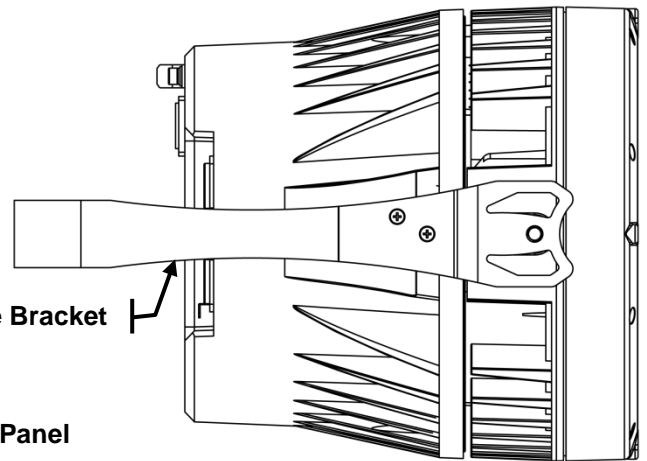
**Description** The COLORado™ 2-Quad Zoom VW Tour is a high-power quad-color (2-CW/2-WW) LED wash product with color mixing (CW/WW) and zoom control. This product consists of a single module that houses the internal power supply, the control panel, the LED drivers, the LED boards, and motorized moving lenses, as well as the power and signal connectors. The COLORado™ 2-Quad Zoom VW Tour features a variable zoom, which enables the user to change the beam angle of the unit via DMX or control panel, and one double bracketed-yoke that can serve as a floor mount or hanging support bracket.

- Features**
- 1-, 6-, or 10-channel quad-color LED wash product
  - Operating modes:
    - 1-channel: Dimmer
    - 6-channel: Dimmer, fine dimmer, strobe, macro, zoom, zoom reset
    - 10-channel: Dimmer, fine dimmer, warm white, fine warm white, cool white, fine cool white, macros, strobe, zoom, zoom reset
    - 10-channel: Dimmer, fine dimmer, warm white, fine warm white, cool white, fine cool white, macros, strobe, zoom, zoom reset
  - CW/WW color mixing via DMX or manually
  - Zoom control via DMX or manually
  - Color temperature range 2750 to 10300 K
  - 16-bit dimming of individual colors as well as master dimmer
  - Five distinct dimming curves for programming versatility
  - Color macros with included speed adjustment
  - Double-bracket yoke doubles as a floor stand
  - Neutrik® powerCON® power input/output connections
  - 3-pin and 5-pin DMX input/output connections
  - LED display with passcode protection

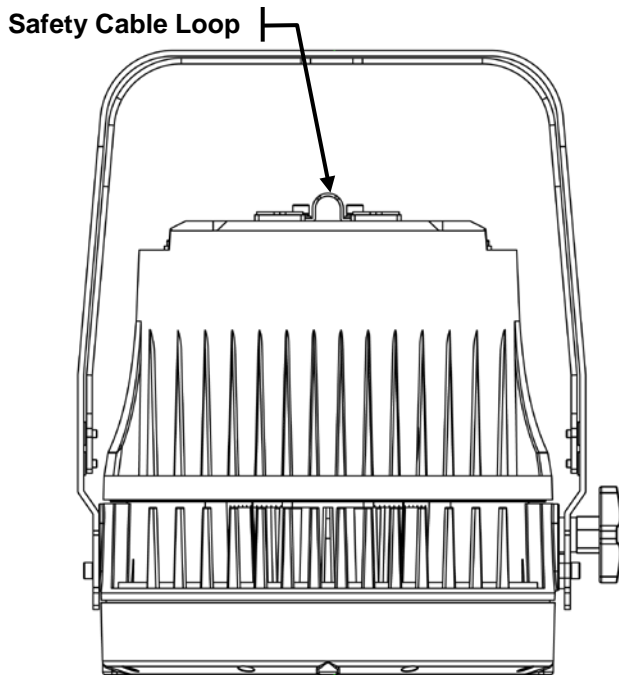
### Overview



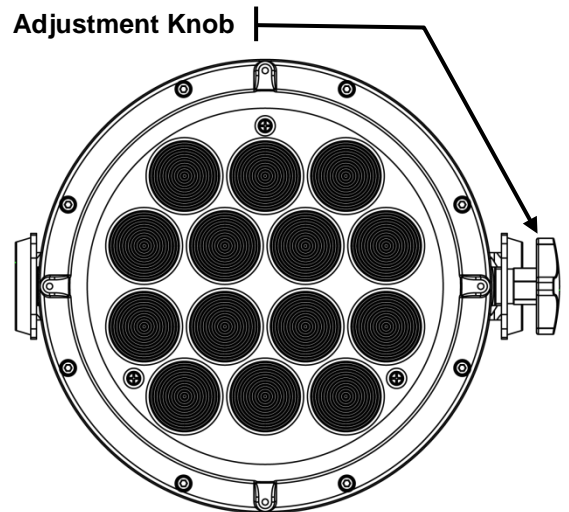
Rear View



Side View



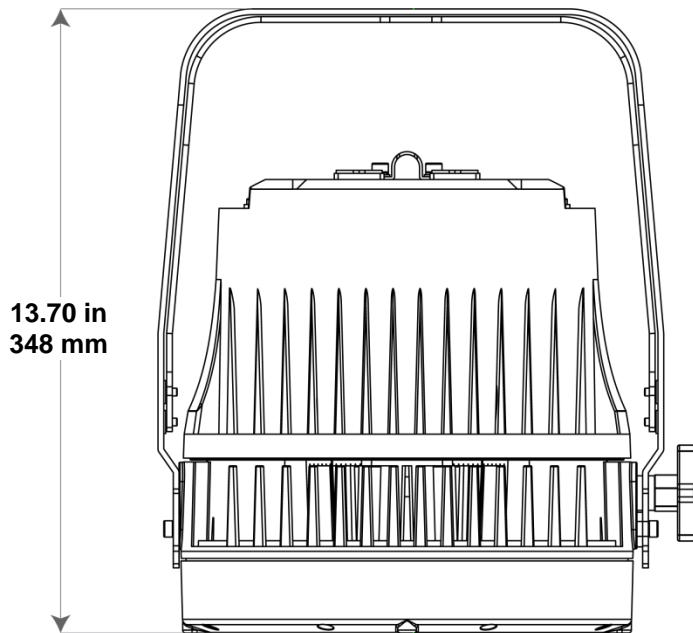
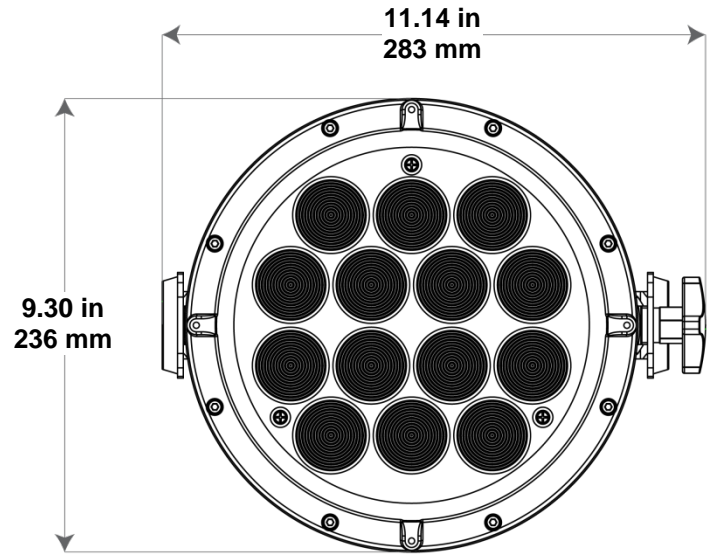
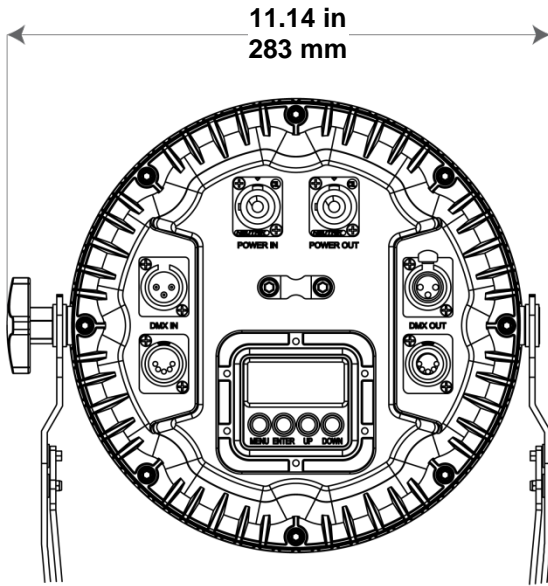
Top View



Front View



### Dimensions



## 3. SETUP

**AC Power** Each COLORado™ 2-Quad Zoom VW Tour has an auto-ranging power supply that works with an input voltage range of 100 to 240 VAC, 50/60 Hz. To determine the power requirements for each COLORado™ 2-Quad Zoom VW Tour, refer to the label affixed to the product. You can also refer to the [Technical Specifications](#) chart in this manual.

The listed current rating indicates the maximum current draw during normal operation. For more information, you may download *Sizing Circuit Breakers* from the Chauvet website: [www.chauvetprofessional.com](http://www.chauvetprofessional.com).



- **Always connect this product to a protected circuit with an appropriate electrical ground to avoid the risk of electrocution or fire.**
- **To eliminate unnecessary wear and improve its lifespan, during periods of non-use completely disconnect the product from power via breaker or by unplugging it.**



**Never connect this product to a rheostat (variable resistor) or dimmer circuit, even if the rheostat or dimmer channel serves only as a 0 to 100% switch.**

**AC Plug** The COLORado™ 2-Quad Zoom VW Tour comes with a power input cord terminated with a Neutrik® powerCON® connector on one end and an Edison plug on the other end (U.S. market). If the power input cord that came with your product has no plug, or if you need to change the Edison plug, use the table below to wire the new plug.

Connection	Wire (U.S.)	Wire (Europe)	Screw Color
AC Live	Black	Brown	Yellow or Brass
AC Neutral	White	Blue	Silver
AC Ground	Green/Yellow	Green/Yellow	Green

**Power Linking** The COLORado™ 2-Quad Zoom VW Tour supports power linking. You can power link up to 13 products at 120 V; up to 16 at 208 V; or up to 17 at 230 V. This product comes with a power input cord. Power linking cables are available from Chauvet for purchase.

**DMX Linking** You can link the COLORado™ 2-Quad Zoom VW Tour to a DMX controller using a 3- or 5-pin DMX connection. If using other DMX compatible products with the COLORado™ 2-Quad Zoom VW Tour, you can control each individually with a single DMX controller.

**DMX Personalities** The COLORado™ 2-Quad Zoom VW Tour uses the standard DMX data connection for the **STD.Y**, **STD.P**, **STD.W**, and **UNO** DMX personalities.

- Refer to the [Introduction](#) chapter for a brief description of each DMX personality.
- Refer to the [Operation](#) chapter to learn how to configure the COLORado™ 2-Quad Zoom VW Tour to work in these personalities.
- The [DMX Values](#) section provides you with detailed information regarding the DMX personalities.

**Master/Slave Connectivity** The Master/Slave mode allows a COLORado™ 2-Quad Zoom VW Tour (the master) to control one or more COLORado™ 2-Quad Zoom VW Tours (the slaves) without a DMX controller. One COLORado™ 2-Quad Zoom VW Tour becomes the master when running in Static mode.

You must configure each slave's control panel to operate in Slave mode. During Master/Slave operation, the slaves will operate in unison with the master.



**DO NOT connect a DMX controller to products operating in Master/Slave mode. The DMX controller signals may interfere with the signals from the master.**



The [Operation](#) section of this manual provides detailed instructions on how to configure the master and slaves.



If you are not familiar with or need more information about DMX standards, Master/Slave connectivity, or the DMX cables needed to link this product to a DMX controller, download the **DMX Primer** from the Chauvet website: [www.chauvetprofessional.com](http://www.chauvetprofessional.com).

**Mounting** Before mounting this product, read and follow the [Safety Notes](#). For our CHAUVET® Professional line of mounting clamps, go to <http://trusst.com/products/>.

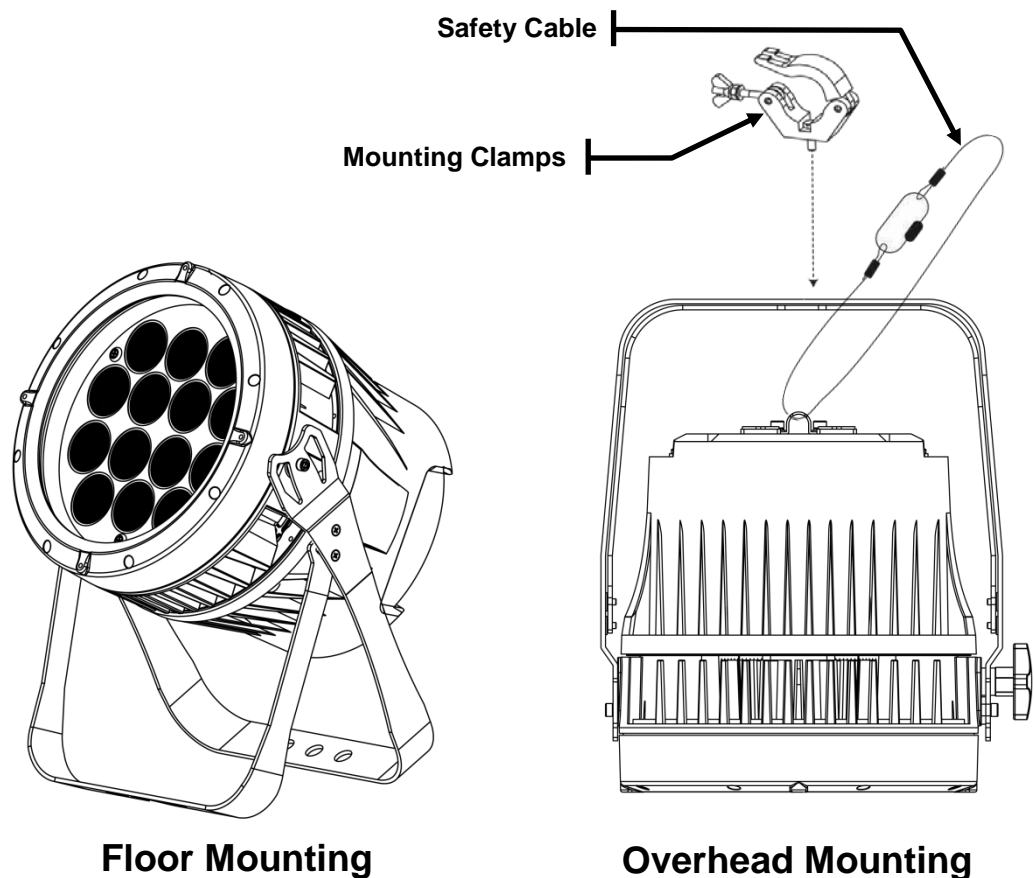
**Orientation** Always mount this product in a safe position and make sure there is adequate room for ventilation, configuration, and maintenance.

**Rigging** Chauvet recommends using the following general guidelines when mounting this product.

- When selecting an installation location, consider easy access to this product for operation, programming adjustments, and routine maintenance.
- Make sure to mount this product away from any flammable material as indicated in the [Safety Notes](#).
- Never mount in places where rain, high humidity, extreme temperature changes, or restricted ventilation may affect the product.
- If hanging this product, make sure that the mounting location can support the product's weight. See the [Technical Specifications](#) for the weight-bearing requirements of this product.
- When hanging this product, always secure to a fastening device using a safety cable.

**Procedure** The COLORado™ 2-Quad Zoom VW Tour comes with a double-yoke bracket to which you can either attach mounting clamps for hanging or simply use as a floor stand. You must supply your own mounting clamps. Make sure the clamps are capable of supporting the weight of this product. Use at least one mounting point per product.

Mounting Diagram



## 4. OPERATION

### Control Panel Description

Button	Function
<MENU>	Exits from the current menu or function
<ENTER>	Enables the currently displayed menu or sets the currently selected value in to the current function
<UP>	Navigates upward through the menu list or increases the numeric value when in a function
<DOWN>	Navigates downward through the menu list or decreases the numeric value when in a function

### Control Options

You can set the COLORado™ 2-Quad Zoom VW Tour starting address in the **001–512** DMX range. This enables control of up to 51 products in the 10-channel **STD.P** or **STD.Y** personalities.

### Programming

Refer to the [Menu Map](#) to understand the menu options. The menu map shows the main level and a variable number of programming levels for each option.

- To go to the desired main level, press **<MENU>** repeatedly until the option shows on the display. Press **<ENTER>** to select. This will take you to the first programming level for that option.
- To select an option or value within the current programming level, press **<UP>** or **<DOWN>** until the option shows on the display. Press **<ENTER>** to select. In this case, if there is another programming level, you will see that first option, or you will see the selected value.
- Press **<MENU>** repeatedly to exit to the previous main level.

## Menu Map

Main Level	Programming Levels		Description	
STAT	W.	000–255	Combines warm white (W.) and cool white (C.) to make a custom color (0–100%)	
	C.			
	Z.		Changes the beam angle (zoom)	
RUN	DMX		DMX mode	
	SLAV		Master/Slave mode	
DMX	D.001–D.512		Selects the DMX starting address	
PERS	STD.P		10-channel: dimmer, fine dimmer, warm white, fine warm white, cool white, fine cool white, macros, strobe, zoom, zoom reset	
	STD.Y		10-channel: dimmer, fine dimmer, warm white, fine warm white, cool white, fine cool white, macros, strobe, zoom, zoom reset	
	STD.W		6-channel: dimmer, fine dimmer, macros, strobe, zoom, zoom reset	
	UNO		1-channel: dimmer	
SET	CALE	YES	Allows editing of the <b>CAL1 &gt; WH.01–WH.05</b> programming level	
		NO	Locks out editing of the <b>CAL1 &gt; WH.01–WH.05</b> programming level	
	DIM	OFF	Selects dimming profiles from fast ( <b>DIM.1</b> ) to slow ( <b>DIM.4</b> ) or <b>OFF</b>	
		DIM.1		
		DIM.2		
		DIM.3		
		DIM.4		
	DERR	BLAC	Blacks out fixture upon loss of DMX	
		SAVE	Continues with last command upon loss of DMX control	
	ZOOM	BASE	Sets default zoom position (full movement)	
		POS.1	Sets position 1 setting for zoom limit	
		POS.2	Sets position 2 setting for zoom limit	
	CURV	OFF	Selects dimming curves from fast ( <b>CV1</b> ) to slow ( <b>CV3</b> ) or <b>OFF</b>	
		CV1		
		CV2		
CV3				
REST	PASS	**** (Enter Passcode)	Defaults product to factory settings	
CAL1	WH.01–WH.05	W.	000–255	Selects the white color temperature
		C.		
KEY	ON		Turns the passcode on or off	
	OFF			
ZOOM	POS.1	P.000–255	Position 1 for the zoom	
	POS.2		Position 2 for the zoom	

**Configuration (Standalone)** Use standalone configuration to operate the product without a DMX controller.

**Master/Slave** The Master/Slave mode allows a group of COLORado™ 2-Quad Zoom VW Tours (the slaves) to simultaneously duplicate the output of another COLORado™ 2-Quad Zoom VW Tour (the master) without a DMX controller.

1. Set each of the slaves:
  - a. Go to the **RUN** main level.
  - b. Select **SLAVE**.
2. Set the master:
  - a. Set the running mode to **DMX** as explained in [DMX Control](#).
  - b. Select a static mix of colors.



- **The master is the one that runs a program in Static Color mode.**
- **Do not connect a DMX controller to the products configured for Master/Slave operation. The DMX controller may interfere with signals from the master.**
- **The master should be the first product in the daisy chain.**

**Static Color** The Static Color mode allows for permanent color mixing without a DMX controller.

1. Go to the **STAT** main level.
2. Select the desired color (**W.** or **C.**).
3. Select the desired color value (**000–255**).
4. Repeat for the other colors.
5. Select **Z.**
6. Select the beam angle value (**000–255**).

**Dimmer Curves** This setting determines how fast the output of the COLORado™ 2-Quad Zoom VW Tour changes when you modify the values of the cool white, warm white, and dimmer faders. This setting provides four different options to simulate the dimming curve of an incandescent lighting product.

1. Go to the **SET** main level.
2. Select **DIM**.
3. Select a dimmer curve (**OFF**, **DIM.1**, **DIM.2**, **DIM.3**, or **DIM.4**).



- OFF:** The output is proportional (linear) to the dimmer and CW/WW channel values.
- DIM1–4:** The output follows the dimmer and CW/WW channel values based on the corresponding dimmer curve, DIM.1 being the fastest and DIM.4 the slowest.

**Curve Settings** This setting allows you to select the dimmer curve shape using the red, green, blue, white, and dimmer faders.

1. Go to the **SET** main level.
2. Select **CURV**.
3. Select a dimmer curve (**OFF**, **CV1**, **CV2**, or **CV3**).



- OFF:** The output is proportional (linear) to the dimmer and CW/WW channel values.
- CV1–3:** The output follows the dimmer and CW/WW channel values based on the corresponding dimmer curve, CV1 being the fastest and CV3 the slowest.



**For optimum control of the 16-bit dimming channels in the STD.Y, STD.W, and STD.P personalities, be sure that both dimming curves in SET > DIM and SET > CURV are set to OFF.**

**Control Panel Lock** This setting enables you to activate or disable the control panel lock, which keeps non-authorized personnel from changing the product's settings.

1. Go to the **KEY** main level.
2. Select **ON** or **OFF**.



**When the control panel lock is active, the product will prompt you to enter the passcode after 30 seconds of control panel inactivity or after turning on the product.**

**Passcode** After being prompted to enter the passcode:

- Press **<UP>**, **<DOWN>**, **<UP>**, **<DOWN>**, **<ENTER>**.

**Reset** This setting allows you to reset the COLORado™ 2-Quad Zoom VW Tour to the default values, including the custom programs.

1. Go to the **SET** main level.
2. Select **REST**, press **<ENTER>**.
3. When **PASS** shows, press **<ENTER>**.
4. Enter the master access passcode as described in [Passcode](#).
5. Wait for the reset process to finish.

**Whites Setting** This setting allows you to select and edit the temperature of the white colors used in channel 3 (Macros) when in the **STD.W** mode or channel 7 (Macros) when in the **STD.P** or **STD.Y** modes.

1. Go to the **CAL1** main level.
2. Select a white color (**WH.01–05**).
3. Select a color (**C.** or **W.**).
4. Select a color value (**000–255**).
5. Repeat for the other color.

**Calibration Lock Out** This setting enables you to activate or disable the White setting lock out feature, which keeps non-authorized personnel from changing the product's settings.

1. Go to the **SET** main level.
2. Select **CALE**.
3. Select **YES** or **NO**.



## Configuration (DMX) Use DMX configurations to operate the product with a DMX controller.

- DMX Personalities** This setting allows you to choose a particular DMX personality.
1. Go to the **PERS** main level.
  2. Select the desired personality (**STD.P**, **STD.Y**, **STD.W**, or **UNO**).



- See the [DMX Values](#) section for the highest starting address you can select for each personality.
- Make sure that the starting addresses on the various products do not overlap due to the new personality setting.

**DMX Control** In this mode, each product will respond to a unique starting address from the DMX controller. All products with the same starting address will respond in unison.

1. Select a DMX personality as shown in [DMX Personalities](#).
2. Set the running mode:
  - a. Go to the **RUN** main level.
  - b. Select the **DMX** programming level.
3. Set the starting address:
  - a. Go to **DMX** main level.
  - b. Select the starting address (**001–512**).



The highest recommended starting address for each DMX mode is as follows:

DMX Personality	DMX Address	DMX Personality	DMX Address
<b>STD.P</b>	503	<b>STD. Y</b>	503
<b>UNO</b>	512	<b>STD. W</b>	507

**Loss Of Signal Setting** This setting controls how the product will respond when the DMX signal is lost.

1. Go to the **SET** main level.
2. Select **DERR**.
  - a. Select **SAVE** to make the product use the last command used when the signal is lost.
  - b. Select **BLAC** to turn off the all the LEDs when the signal is lost.

**Zoom Limit Setting** This setting allows you to limit the zoom range using three (3) different modes.

Basic mode is the default setting and allows the zoom to be moved full range (**000–255**) and has no adjustable limit.

Position 1 and Position 2 modes allow you to set limits on how far the zoom moves.

1. Set the mode to be used:
  - a. Go to the **SET** main level.
  - b. Select **ZOOM**.
  - c. Select a mode (**BASE**, **POS.1**, or **POS.2**).
2. Set the limit for each mode:
  - a. Go to the **ZOOM** main level.
  - b. Select a mode (**POS.1** or **POS.2**).
  - c. Select a zoom limit value (**P.000–255**).

## DMX Values

STD.Y	Channel	Function	Value	Percent/Setting
	1	Dimmer	000 ó 255	0–100%
	2	Fine Dimmer	000 ó 255	Fine control
	3	Warm White	000 ó 255	0–100%
	4	Fine Warm White	000 ó 255	Fine control
	5	Cool White	000 ó 255	0–100%
	6	Fine Cool White	000 ó 255	Fine control
	7	White Macros	000 ó 010 011 ó 050 051 ó 080 081 ó 110 111 ó 140 141 ó 255	No function White 1 White 2 White 3 White 4 White 5
	8	Strobe	000 ó 009 010 ó 255	No function 0–20 Hz
	9	Zoom	000 ó 255	0–100%
	10	Zoom Reset	000 ó 200 201 ó 220 221 ó 255	No function Zoom reset No function

STD.P	Channel	Function	Value	Percent/Setting
	1	Dimmer	000 ó 255	0–100%
	2	Fine Dimmer	000 ó 255	Fine control
	3	Warm White	000 ó 255	0–100%
	4	Fine Warm White	000 ó 255	Fine control
	5	Cool White	000 ó 255	0–100%
	6	Fine Cool White	000 ó 255	Fine control
	7	White Macros	000 ó 010 011 ó 050 051 ó 080 081 ó 110 111 ó 140 141 ó 255	No function White 1 White 2 White 3 White 4 White 5
	8	Strobe	000 ó 009 010 ó 255	No function 0–20 Hz
	9	Zoom	000 ó 255	0–100%
	10	Zoom Reset	000 ó 200 201 ó 220 221 ó 255	No function Zoom reset No function

**DMX Values (Cont.)**

STD.W	Channel	Function	Value	Percent/Setting
	1	Dimmer	000 ó 255	0–100%
	2	Fine Dimmer	000 ó 255	Fine control
	3	White Macros	000 ó 010	No function
			011 ó 050	White 1
			051 ó 080	White 2
			081 ó 110	White 3
			111 ó 140	White 4
			141 ó 255	White 5
	4	Strobe	000 ó 009	No function
			010 ó 255	0–20 Hz
	5	Zoom	000 ó 255	0–100%
	6	Zoom Reset	000 ó 200	No function
			201 ó 220	Zoom reset
			221 ó 255	No function
UNO	Channel	Function	Value	Percent/Setting
	1	Dimmer	000 ó 255	0–100%

## 5. TECHNICAL INFORMATION

**Product Maintenance** To maintain optimum performance and minimize wear, you should clean this product frequently. Usage and environment are contributing factors in determining the cleaning frequency.

As a rule, clean this product at least twice a month. Dust build-up reduces light output performance and can cause overheating. This can lead to reduced light source life and increased mechanical wear.

To clean your product:

1. Unplug the product from power.
2. Wait until the product is at room temperature.
3. Use a vacuum (or dry compressed air) and a soft brush to remove dust collected on the external vents.
4. Clean all external surfaces with a mild solution of non-ammonia glass cleaner or isopropyl alcohol.
5. Apply the solution directly to a soft, lint-free cotton cloth or a lens cleaning tissue.
6. Wipe any dirt or grime to the outside edges of the lens surface.
7. Gently polish the lens surfaces until they are free of haze and lint.



**Always dry the external surfaces thoroughly and carefully after cleaning them.**

## 6. TECHNICAL SPECIFICATIONS

Dimensions and Weight	<b>Length</b>	<b>Width</b>	<b>Height</b>	<b>Weight</b>	
	11.1 in (283 mm)	9.3 in (236 mm)	13.8 in (348 mm)	17.8 lb (8.1 kg)	
<b>Note:</b> Dimensions in inches rounded to the nearest decimal digit.					
Power	<b>Power Supply Type</b>	<b>Range</b>	<b>Voltage Selection</b>		
	Switching (internal)	100–240 VAC, 50/60 Hz	Auto-ranging		
Light Source	<b>Parameter</b>	<b>120 VAC, 60 Hz</b>	<b>230 VAC, 50 Hz</b>		
	Consumption	170 W	163 W		
	Current	1.04 A	.83 A		
	Power linking current (products)	13.5 A (13 products)	13.5 A (17 products)		
	<b>Power I/O</b>	<b>U.S./Canada</b>	<b>Worldwide</b>		
	Power input connector	Neutrik® powerCON® A	Neutrik® powerCON® A		
	Power output connector	Neutrik® powerCON® B	Neutrik® powerCON® B		
	Power cord plug	Edison (U.S.)	Local plug		
	Photometrics	<b>Type</b>	<b>Power</b>	<b>Lifespan</b>	
		LED	15 W	50,000 hours	
<b>Color</b>		<b>Quantity</b>	<b>Current</b>		
Thermal	Quad-color (CW/WW)	14	700 mA		
	<b>Parameter</b>	<b>Standard Optics</b>			
	Illuminance @ 5 m	3,617 lux (6°)			
	Illuminance @ 5 m	585 lux (30°)			
	Beam angle	6° – 30°			
Field angle	11° – 45°				
DMX	<b>Max. External Temperature</b>	<b>Cooling System</b>			
	113 °F (45 °C)	Convection			
Ordering	<b>I/O Connectors</b>	<b>Connector Type</b>	<b>Channel Range</b>		
	3- and 5-pin XLR	Sockets	1, 6 or 10		
Ordering	<b>Product Name</b>	<b>Item Code</b>	<b>UPC Number</b>		
	COLORado™ 2-Quad Zoom VW Tour	01030804	781462211523		



UL 1573  
CSA C22.2 No. 166  
E113093

**Returns** You must send the product prepaid, in the original box, and with the original packing and accessories. Chauvet will not issue call tags.

Call Chauvet and request a Return Merchandise Authorization (RMA) number before shipping the product. Be prepared to provide the model number, serial number, and a brief description of the cause(s) for the return.

Clearly label the package with an RMA number. Chauvet will refuse any product returned without an RMA number.



**DO NOT write the RMA number directly on the box. Instead, write it on a properly affixed label.**

Once you have received the RMA number, include the following information on a piece of paper inside the box:

- Your name
- Your address
- Your phone number
- The RMA number
- A brief description of the problem(s)

Be sure to pack the product properly. Any shipping damage resulting from inadequate packaging will be the customer's responsibility. FedEx packing or double-boxing is recommended.



**Chauvet reserves the right to use its own discretion to repair or replace returned product(s).**

## CONTACT Us

### **WORLD HEADQUARTERS** - Chauvet

#### **General Information**

Address: 5200 NW 108th Avenue  
Sunrise, FL 33351  
Voice: (954) 577-4455  
Fax: (954) 929-5560  
Toll free: (800) 762-1084

#### **Technical Support**

Voice: (954) 577-4455 (Press 4)  
Fax: (954) 756-8015  
Email: [tech@chauvetlighting.com](mailto:tech@chauvetlighting.com)

**World Wide Web** [www.chauvetlighting.com](http://www.chauvetlighting.com)

### **UNITED KINGDOM AND IRELAND** - Chauvet Europe Ltd.

#### **General Information**

Address: Unit 1C  
Brookhill Road Industrial Estate  
Pinxton, Nottingham, UK  
NG16 6NT

Voice: +44 (0)1773 511115  
Fax: +44 (0)1773 511110

#### **Technical Support**

Email: [uktech@chauvetlighting.com](mailto:uktech@chauvetlighting.com)

**World Wide Web** [www.chauvetlighting.co.uk](http://www.chauvetlighting.co.uk)

### **MEXICO** - Chauvet Mexico

#### **General Information**

Address: Av. Santa Ana 30  
Parque Industrial Lerma  
Lerma, Mexico C.P. 52000

Voice: +52 (728) 285-5000

#### **Technical Support**

Email: [servicio@chauvet.com.mx](mailto:servicio@chauvet.com.mx)

**World Wide Web** [www.chauvet.com.mx](http://www.chauvet.com.mx)

### **CHAUVET EUROPE** - Chauvet Europe BVBA

#### **General Information**

Address: Stokstraat 18  
9770 Kruishoutem  
Belgium

Voice: +32 9 388 93 97

#### **Technical Support**

Email: [Eutech@chauvetlighting.eu](mailto:Eutech@chauvetlighting.eu)

**World Wide Web** [www.chauvetlighting.eu](http://www.chauvetlighting.eu)

Outside the U.S., United Kingdom, Ireland, Mexico, or Benelux contact the dealer of record. Follow their instructions to request support or to return a product. Visit our website for contact details.