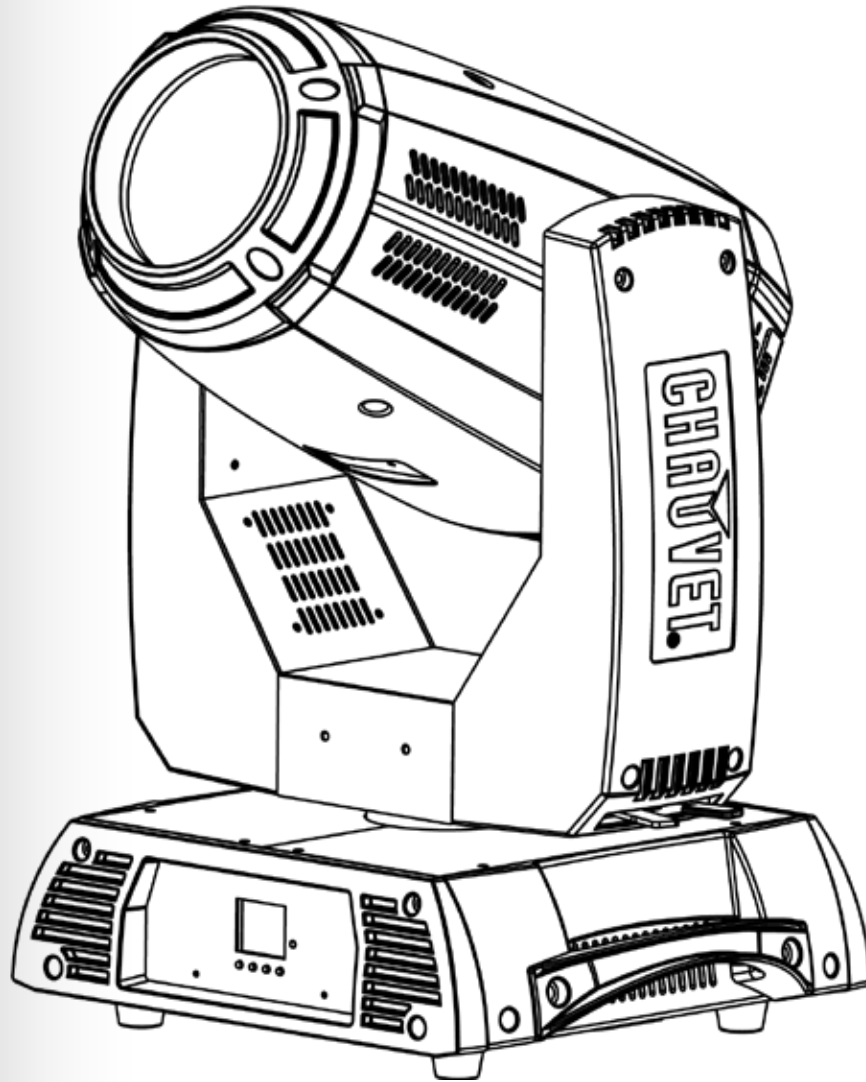


ROGUE

RH1 HYBRID

User Manual



CHAUVET
PROFESSIONAL[®]

Edition Notes The Rogue RH1 Hybrid User Manual Rev. 5 covers the description, safety precautions, installation, programming, operation, and maintenance of the Rogue RH1 Hybrid. Chauvet released this edition of the Rogue RH1 Hybrid User Manual in April 2016.

Trademarks CHAUVET, the Chauvet logo and Rogue RH1 Hybrid are registered trademarks or trademarks of Chauvet & Sons LLC (d/b/a Chauvet and Chauvet Lighting) in the United States and other countries. Other company and product names and logos referred to herein may be trademarks of their respective companies.

Copyright Notice The works of authorship contained in this manual, including, but not limited to, all design, text and images are owned by Chauvet.

© **Copyright 2016 Chauvet & Sons, LLC. All rights reserved.**

Electronically published by Chauvet in the United States of America.

Manual Use Chauvet authorizes its customers to download and print this manual for professional information purposes only. Chauvet expressly prohibits the usage, copy, storage, distribution, modification, or printing of this manual or its content for any other purpose without written consent from Chauvet.

Document Printing For better results, print this document in color, on letter size paper (8.5 x 11 in), double-sided. If using A4 paper (210 x 297 mm), configure your printer to scale the content accordingly.

Intended Audience Any person in charge of installing, operating, and/or maintaining this product should completely read through the guide that shipped with the product, as well as this manual, before installing, operating, or maintaining this product.

Disclaimer Chauvet believes that the information contained in this manual is accurate in all respects. However, Chauvet assumes no responsibility and specifically disclaims any and all liability to any party for any loss, damage or disruption caused by any errors or omissions in this document, whether such errors or omissions result from negligence, accident or any other cause. Chauvet reserves the right to revise the content of this document without any obligation to notify any person or company of such revision, however, Chauvet has no obligation to make, and does not commit to make, any such revisions.

Document Revision The Rogue RH1 Hybrid User Manual Rev. 5 supersedes all previous versions of this manual. Discard any older versions of this manual and replace with this version. Go to www.chauvetprofessional.com for the latest version.

Table of Contents

1. Before You Begin	1
What Is Included	1
Claims	1
Manual Conventions	1
Symbols	1
Product At A Glance	2
Safety Notes	2
Personal Safety.....	2
Mounting And Rigging.....	2
Power And Wiring	2
Operation	2
2. Introduction	3
Description	3
Features.....	3
Overview	4
Dimensions	5
3. Setup.....	6
AC Power	6
AC Plug.....	6
Fuse Replacement.....	6
DMX Linking.....	6
DMX Personalities.....	6
Gobo Wheel	7
Gobo Wheel 1	7
Gobo Wheel 2	7
Gobo Replacement	8
Color Wheel	9
Lamp Replacement.....	10
Procedure	10
Procedure (Cont.).....	11
Increasing the Lamp's Life	11
Mounting	12
Orientation	12
Rigging.....	12
Procedure	12
4. Operation	13
Control Panel Description	13
Control Options	13
Programming.....	13
Menu Map	14
Menu Map (Cont.).....	15
Menu Map (Cont.).....	16
Address.....	17
Set the DMX Address.....	17
Run Mode	17
DMX Personality	17
Auto Test.....	17
Manual Test	17
Setup.....	18
Pan Reverse	18
Tilt Reverse	18
Screen Reverse	18
Pan Angle	18
Tilt Angle.....	18
Pan and Tilt Movement BlackOut.....	18
Color Movement BlackOut	18

Gobo Movement BlackOut	18
Lamp Settings	19
Maintenance Timer	20
Reset Function	20
Factory Reset Function	20
System Information	21
Offset Mode	21
Pan.....	21
Tilt	21
Dimmer	21
Gobo	21
Color	21
Prism.....	21
Rotating Prism.....	21
Zoom.....	21
Focus	21
Frost.....	21
DMX Values	22
DMX Values (Cont.)	23
DMX Values (Cont.)	24
DMX Values (Cont.)	25
DMX Values (Cont.)	26
DMX Values (Cont.)	27
DMX Values (Cont.)	28
DMX Values (Cont.)	29
DMX Values (Cont.)	30
5. Technical Information	31
Product Maintenance.....	31
6. Technical Specifications.....	32
Returns	33
Contact Us	34

1. BEFORE YOU BEGIN

- What Is Included**
- Rogue RH1 Hybrid
 - Neutrik® powerCON® power cord
 - 2 Omega brackets with mounting hardware
 - Warranty Card
 - Quick Reference Guide

Claims Carefully unpack the product immediately and check the box to make sure all the parts are in the package and are in good condition.




If the box or the contents (the product and included accessories) appear damaged from shipping or show signs of mishandling, notify the carrier immediately, not Chauvet. Failure to report damage to the carrier immediately may invalidate your claim. In addition, keep the box and contents for inspection.

For other issues, such as missing components or parts, damage not related to shipping, or concealed damage, file a claim with Chauvet within 7 days of delivery.

Manual Conventions

Convention	Meaning
1–512	A range of values in the text
50/60	A set of mutually exclusive values in the text
<SET>	A button on the product’s control panel
Settings	A product function or a menu option
MENU>Settings	A sequence of menu options
1–10	A range of menu values from which to choose in a menu
Yes/No	A set of two mutually exclusive menu options in a menu
ON	A unique value to be entered or selected in a menu

Symbols

Symbols	Meaning
	Critical installation, configuration, or operation information. Failure to comply with this information may cause the product not to work, damage third-party equipment, or cause harm to the operator.
	Important installation or configuration information. Failure to comply with this information may keep the product from working.
	Useful information.



The term “DMX” used throughout this manual refers to the USITT DMX512-A digital data transmission protocol.

Product At A Glance	Use on Dimmer	X	Auto Programs	X
	Outdoor Use	X	Auto-Ranging Power Supply	P
	Master/Slave	X	Replaceable Fuse	P
	DMX	P	User-Serviceable	X

Safety Notes

Read all the following Safety Notes before working with this product. These notes include important information about the installation, usage, and maintenance of this product.



This product contains no user-serviceable parts. Any reference to servicing in this User Manual will only apply to properly trained Chauvet certified technicians. Do not open the housing or attempt any repairs.



All applicable local codes and regulations apply to proper installation of this product.

Personal Safety

- Avoid direct eye exposure to the light source while the product is on.
- Always disconnect this product from its power source before servicing.
- Always connect this product to a grounded circuit to avoid the risk of electrocution.
- Do not touch this product's housing during operation because it may be very hot.

Mounting And Rigging

- This product is for indoor use only! To prevent risk of fire or shock, do not expose this product to rain or moisture. (IP20)
- CAUTION: When transferring product from extreme temperature environments, (e.g. cold truck to warm humid ballroom) condensation may form on the internal electronics of the product. To avoid causing a failure, allow product to fully acclimate to the surrounding environment before connecting it to power.
- Mount this product in a location with adequate ventilation, at least 20 in (50 cm) from adjacent surfaces.
- This product weighs 55.2 lb (25.1 kg). Always ask for help when mounting this product to avoid personal injuries or damage to the product.
- Make sure there are no flammable materials close to this product while it is operating.
- Always carry this product by the handles. Do not carry from the head.
- When hanging this product, always secure to a fastening device using a safety cable.

Power And Wiring

- Always make sure you are connecting this product to the proper voltage in accordance with the specifications in this manual or on the product's specification label.
- Never connect this product to a dimmer pack or rheostat.
- Never disconnect this product by pulling or tugging on the power cable.

Operation

- Do not operate this product if you see damage to the housing, lenses, ultraviolet filter, or cables. Have the damaged parts replaced by an authorized technician at once.
- To eliminate unnecessary wear and improve its lifespan, during periods of non-use completely disconnect the product from power via breaker or by unplugging it.
- Do not cover the ventilation slots when operating to avoid internal overheating.
- Do not aim this product toward the Sun. The lenses could concentrate the solar energy and cause internal overheating.
- The maximum ambient temperature is 113 °F (45 °C). Do not operate this product at a higher temperature.
- In case of a serious operating problem, stop using this product immediately!



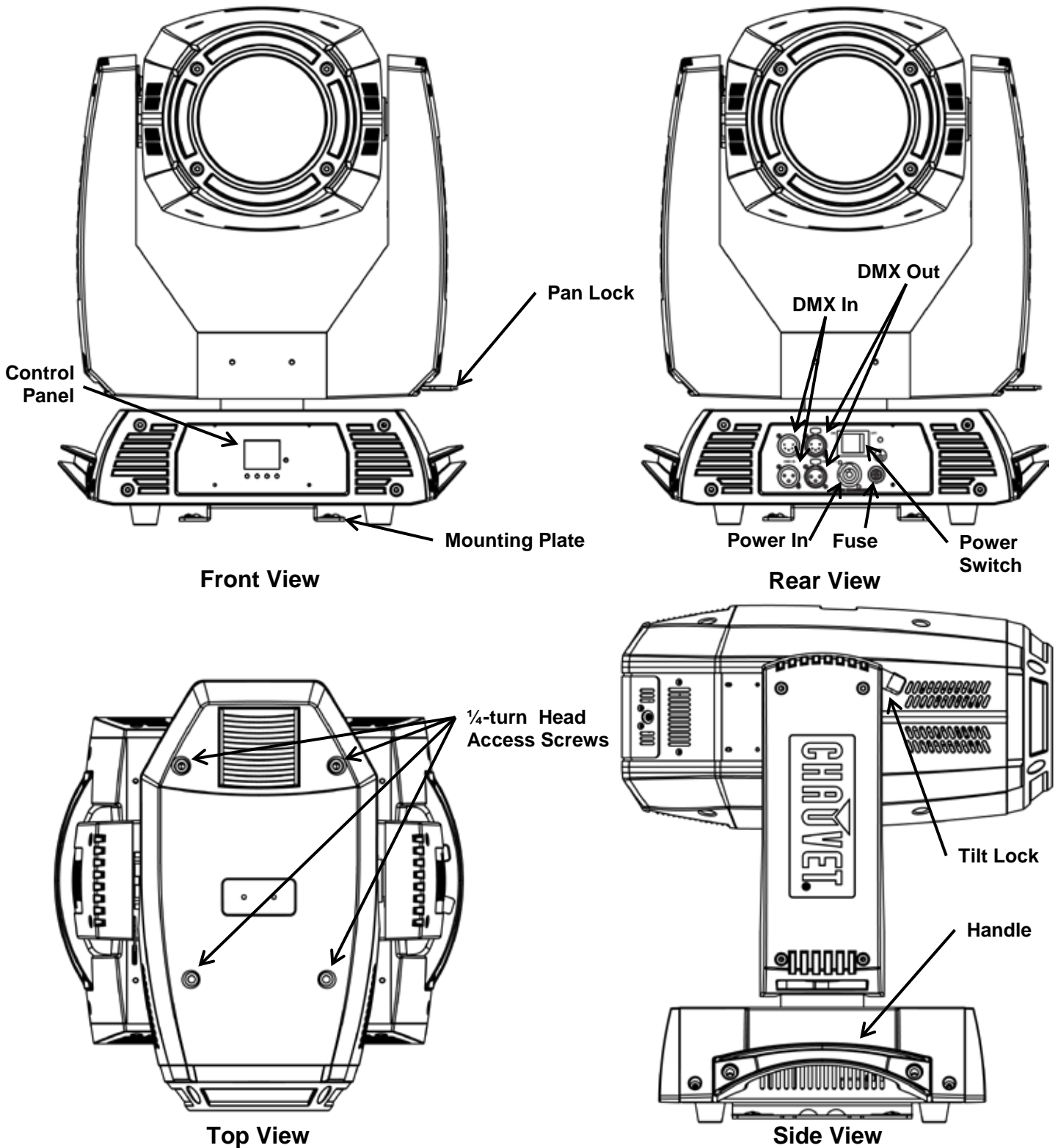
In the unlikely event that your Chauvet product may require service, contact Chauvet Technical Support.

2. INTRODUCTION

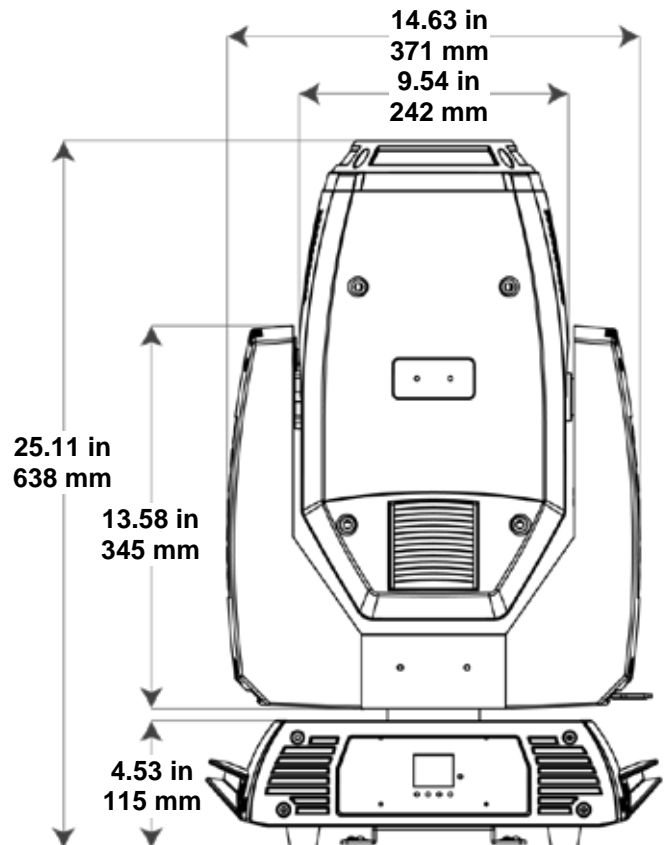
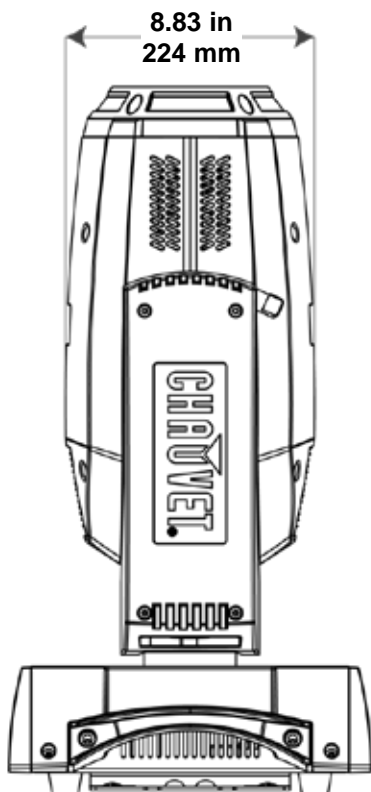
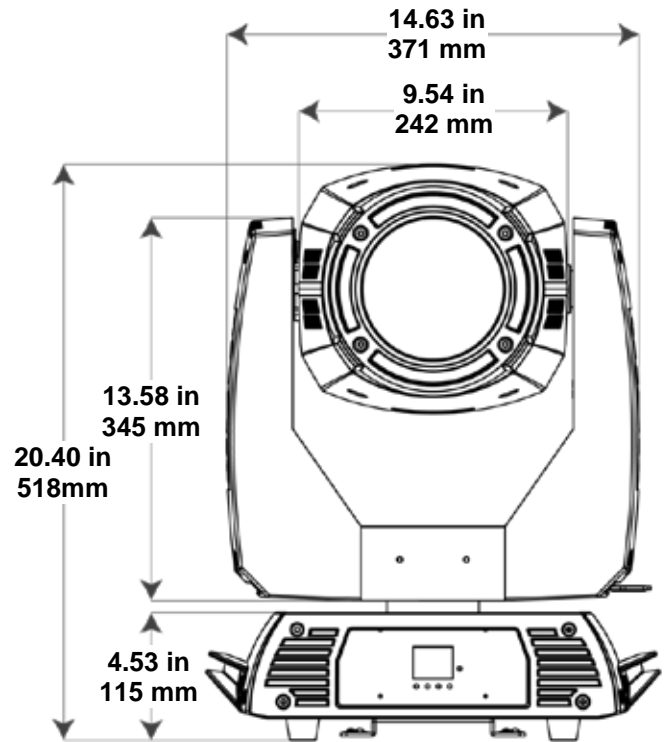
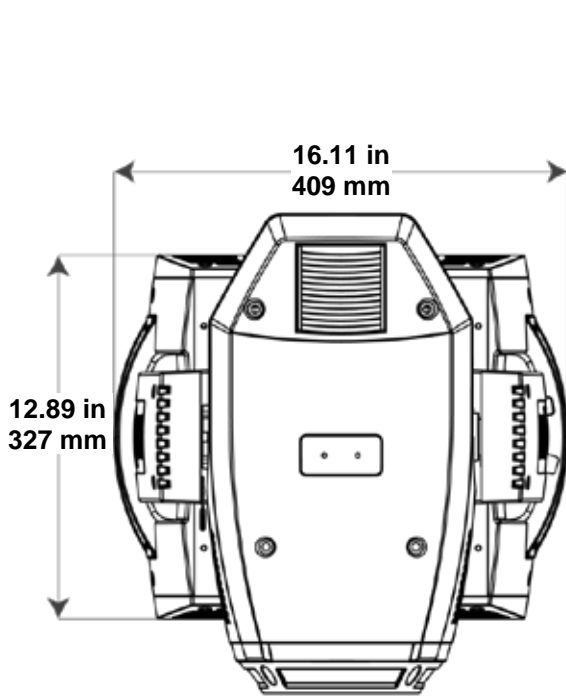
Description The Rogue RH1 Hybrid is a compact, electronic, moving yoke beam product equipped with a 330 watt X8 lamp that delivers an ultra-intense output of 111,000 lux@ 15m with tight beam angles of 1-4.5° in Beam Mode and 5-19° in Spot Mode. This hybrid beam and spot includes an optical system with 8-facet and 6-facet prism sets that are completely layerable and controllable. This product comes with an indexing and a static scrolling gobo wheel, along with a 13-hue color wheel.

- Features**
- Osram Sirius lamp, 330 W X8, 8000 K, 1,500 hours life expectancy
 - 3- and 5-pin DMX input/output connections
 - Fast, smooth, and precise pan and tilt operation
 - 111,000 lux at 15 m in beam mode
 - Omega mounting bracket, fits all Rogue, Next, and Legend fixtures
 - Two prisms, 6-facet and 8-facet, independently controllable for amazing gobo effects
 - Two gobo wheels, 1 rotating and 1 static wheel for dynamic projection images
 - 2.5° to 8° zoom in beam mode, 5° to 19° zoom in spot mode for variable beam size options
 - Quiet operation for use in any situation
 - Precision optics for crisp, even gobo projections
 - Variable frost for wash-style effects
 - Fast, precise pan and tilt movement
 - Color wheel:
 - 13 colors + Open (white)
 - CTO - Split/linear colors
 - Rainbow color spin at variable speed
 - Gobo wheel 1:
 - 13 gobos + Open
 - Gobo wheel spin at variable speed
 - Gobo wheel 2:
 - 9 gobos (9 glass) + Open
 - Rotating, interchangeable, indexing, slot-n-lock
 - Gobo wheel spin at variable speed
 - DMX channels: 20 or 25
 - Pan: 540°
 - Tilt: 260°
 - Neutrik® powerCON® power input

Overview



Dimensions



3. SETUP

AC Power

Each Rogue RH1 Hybrid has an auto-ranging power supply that works with an input voltage range of 100 to 240 VAC, 50/60 Hz. To determine the power requirements for each Rogue RH1 Hybrid, refer to the label affixed to the product. You can also refer to the [Technical Specifications](#) chart in this manual.

The listed current rating indicates the maximum current draw during normal operation. For more information, you may download Sizing Circuit Breakers from the Chauvet website: www.chauvetprofessional.com.



- **Always connect this product to a protected circuit with an appropriate electrical ground to avoid the risk of electrocution or fire.**
- **To eliminate unnecessary wear and improve its lifespan, during periods of non-use completely disconnect the product from power via breaker or by unplugging it.**



Never connect this product to a rheostat (variable resistor) or dimmer circuit, even if the rheostat or dimmer channel serves only as a 0 to 100% switch.

AC Plug

The Rogue RH1 Hybrid comes with a power input cord terminated with a Neutrik® powerCON® A connector on one end and an Edison plug on the other end (U.S. market). If the power input cord that came with your product has no plug, or if you need to change the Edison plug, use the table below to wire the new plug.

Connection	Wire (U.S.)	Wire (Europe)	Screw Color
AC Live	Black	Brown	Yellow or Brass
AC Neutral	White	Blue	Silver
AC Ground	Green/Yellow	Green/Yellow	Green

Fuse Replacement

1. Disconnect this product from the power outlet.
2. Using a Phillips-head screwdriver, unscrew the fuse holder cap from the housing.
3. Remove the blown fuse and replace with a another fuse of the same type and rating (T 10 A, 250 V).
4. Screw the fuse holder cap back in place and reconnect power.



Make sure to disconnect the product's power cord before replacing a blown fuse. Always replace the blown fuse with another of the same type and rating.

DMX Linking

You can link the Rogue RH1 Hybrid to a DMX controller using a 3- or 5-pin DMX connection. If using other DMX-compatible products with the Rogue RH1 Hybrid, you can control each individually with a single DMX controller.

DMX Personalities

The Rogue RH1 Hybrid uses a 3- or 5-pin DMX data connection for the 20- and 25-channel DMX personalities.

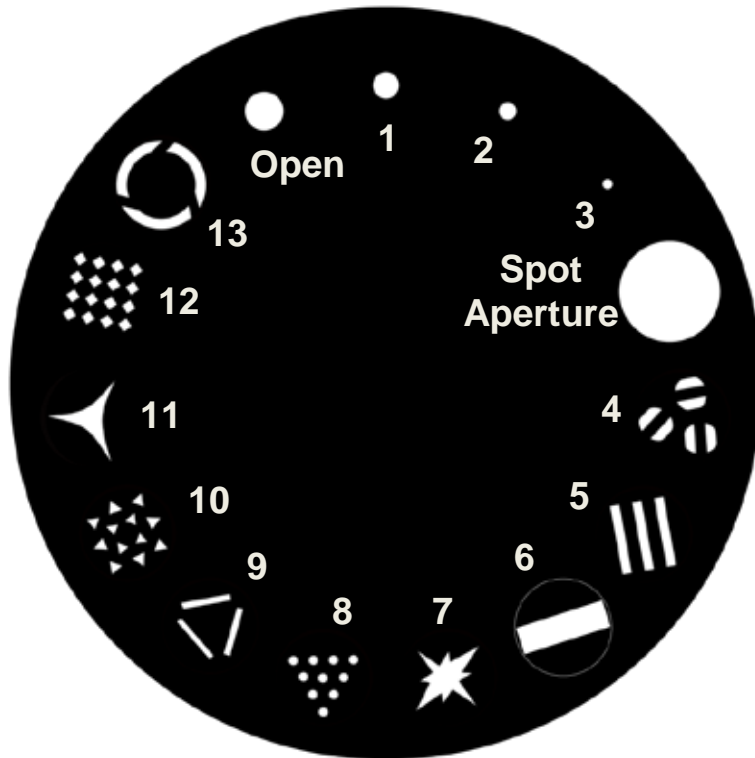
- Refer to the [Introduction](#) chapter for a brief description of each DMX personality.
- Refer to the [Operation](#) chapter to learn how to configure the Rogue RH1 Hybrid to work in these personalities.
- The [DMX Values](#) section provides you with detailed information regarding the DMX personalities.



If you are not familiar with or need more information about DMX standards, Master/Slave connectivity, or the DMX cables needed to link this product to a DMX controller, download the DMX Primer from the Chauvet website: www.chauvetprofessional.com.

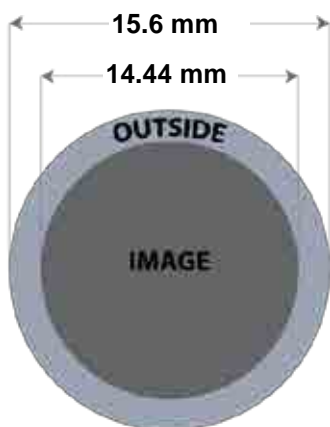
Gobo Wheel The Rogue RH1 Hybrid includes two gobo wheels: 13 fixed gobos plus open on wheel 1 and 9 rotating gobos plus open on wheel 2. The diagram shows the gobo number on the wheel, as numbered in the [DMX Values](#) tables.

Gobo Wheel 1

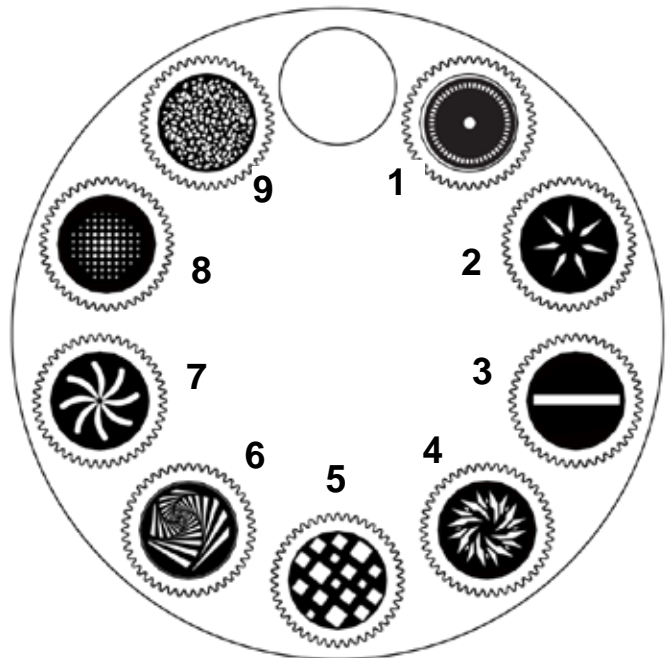


The gobos on gobo wheel 1 are not removable.

Gobo Wheel 2



**Gobo Dimensions
Gobo Wheel 2**



Gobo Replacement

The gobos in the Rogue RH1 Hybrid gobo wheel 2 are removable from their gobo holders. This operation is quite simple, although it requires the technician to be careful and to follow the recommended procedure.

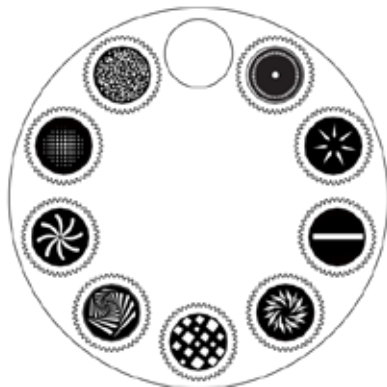
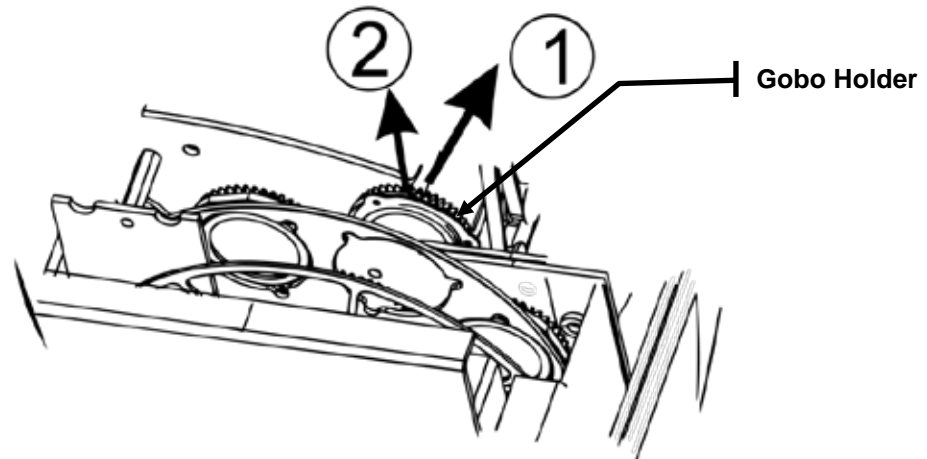


- **Make sure to disconnect the product's power cord before replacing a gobo**
- **Always replace a gobo with a gobo of the same dimensions.**
- **Use only glass gobos when using custom gobos in gobo wheel 2.**
- **When inserting a glass gobo, always make sure that the shiny side of the gobo (glass base) faces the lamp. This provides a layer of protection against the high temperature from the lamp.**

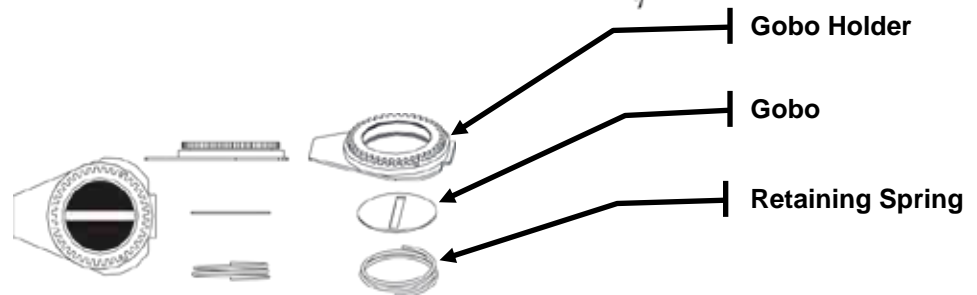
Procedure

1. Turn the product off and disconnect it from the power outlet.
2. Open the head cover by loosening the 4 Phillips-head ¼-turn screws on the sides of the top cover.
3. Separate the gobo holder away from the gobo wheel by pushing it toward the front of the moving head (direction 1 in the diagram). Be careful not to push the gobo out of the gobo holder.
4. Extract the gobo holder by pulling it outward (direction 2 in the diagram).
5. On a flat surface, remove the expansion ring that holds the gobo in place and remove the gobo from the gobo holder.
6. Insert a new gobo and hold it in place with the expansion ring.
7. Slide the tip of the gobo holder under the pressure plate near the center of the gobo wheel.
8. Push the gobo holder inwards. **DO NOT** force the gobo holder into the gobo wheel slot. If correctly installed, the gobo holder should easily slide itself into the gobo wheel slot.

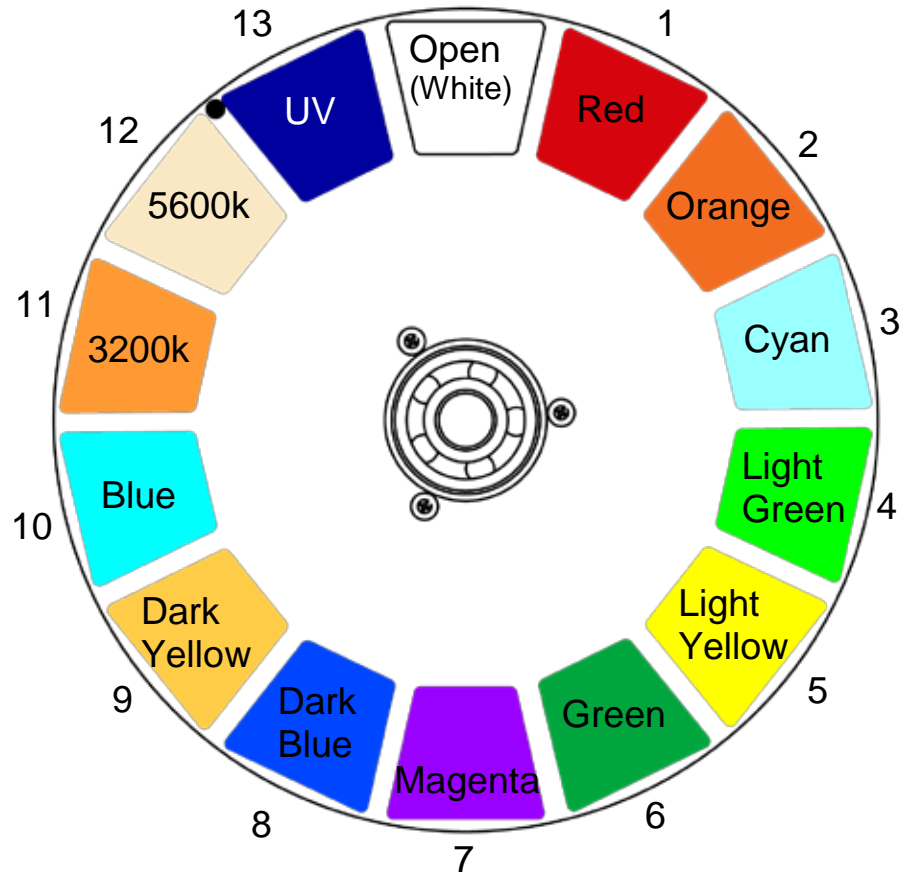
Gobo Replacement Diagrams



Gobo Wheel 2



Color Wheel The Rogue RH1 Hybrid includes one color wheel with 13 fixed colors plus open (white), as indicated below. The diagram shows the color number on the wheel, as numbered in the [DMX Values](#) tables.



Lamp Replacement

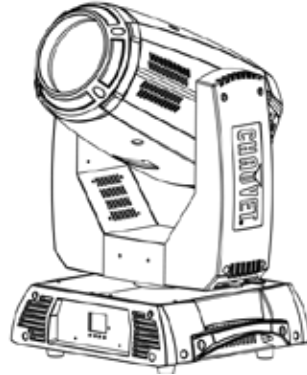
The Rogue RH1 Hybrid is equipped with an Osram Sirius 330W X8 lamp. Follow the procedure below to safely change the lamp.



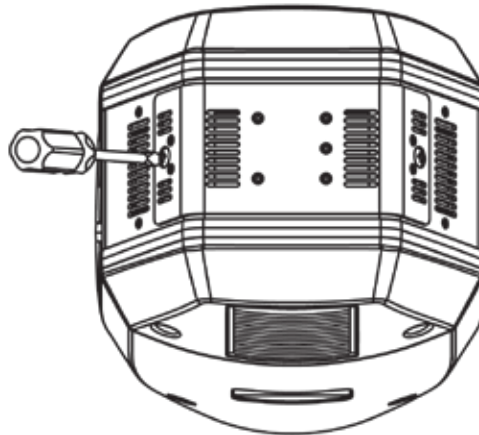
Disconnect the product from power before opening.

Procedure

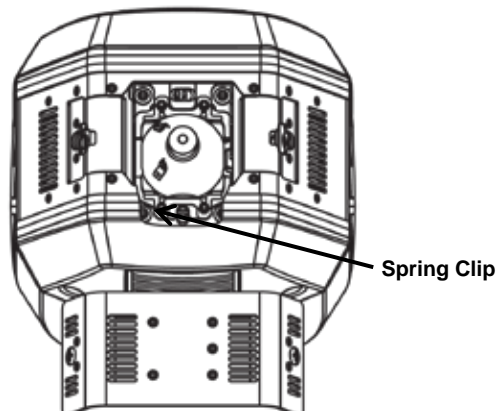
1. Turn the product off and disconnect it from power. Wait at least 15 minutes for the lamp to cool down.



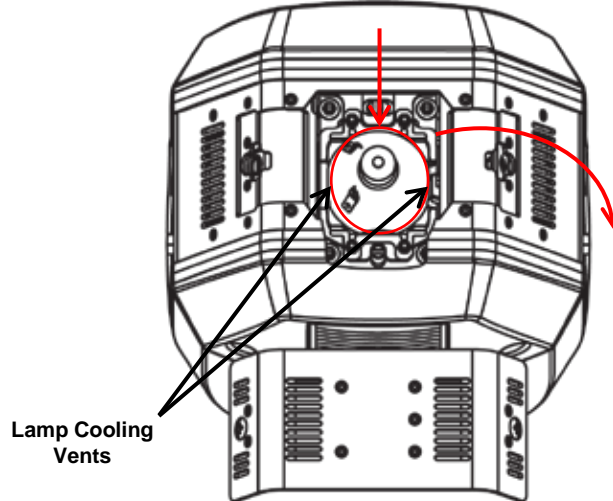
2. Remove back cover using the 2 Phillips-head ¼-turn screws on the rear panel of the head.



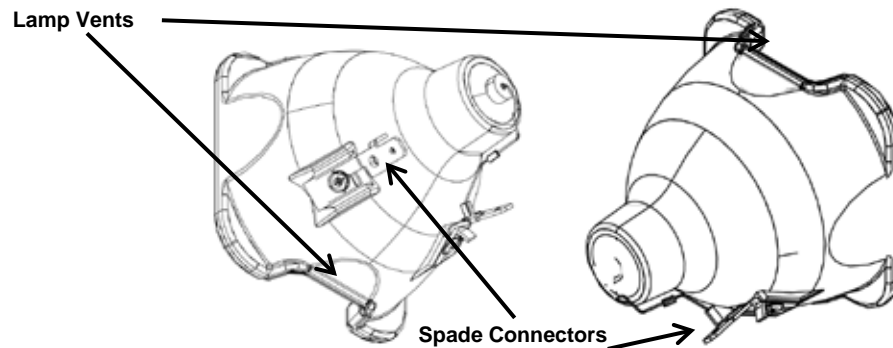
3. Orient the product so that the lamp power wires are coming from the lower right corner as you are looking at the rear head.



- Procedure 4. (Cont.)** Take note as to the orientation of the lamp. Vent holes on the front of the lamp should align horizontally with the air vents on the lamp frame. This is extremely important for lamp cooling when replacing the lamp. (see step 5 for location of vents on the lamp) Using the lamp base, push the lamp down against the spring clips and then roll the lamp out the top.



5. Remove the 2 wires connected to the lamp by the spade connectors.



6. Reverse the steps 5 through 1 above to install the new lamp. Do not touch the glass with bare hands.



RISK OF LAMP EXPLOSION! Vent holes on the front of the lamp should align horizontally with the air vents on the lamp frame. This is extremely important for lamp cooling



Do not turn product on without a lamp!

Increasing the Lamp's Life

- Vent holes on the front of the lamp should align horizontally with the air vents on the lamp frame. This is extremely important for lamp cooling.
- **ALWAYS** turn the lamp off by using the DMX controller or the product's control panel, then wait at least 5 minutes before switching off the product. This will keep the fans running to extract any remaining heat from the product's head.
- **DO NOT** power cycle the product unless it is necessary.
- **DO NOT** re-strike the lamp immediately after turning it off. Chauvet recommends waiting 5 minutes before trying to re-strike the lamp.
- **DO NOT** touch the lamp without wearing gloves to avoid leaving grease on the bulb or on the contacts that could reduce the lamp's life.
- **ALWAYS** change the lamp when it has reached its recommended lifespan to avoid the risk of lamp explosion.

Mounting Before mounting this product, read and follow the [Safety Notes](#). For our CHAUVET® Professional line of mounting clamps, go to <http://trusst.com/products/>.

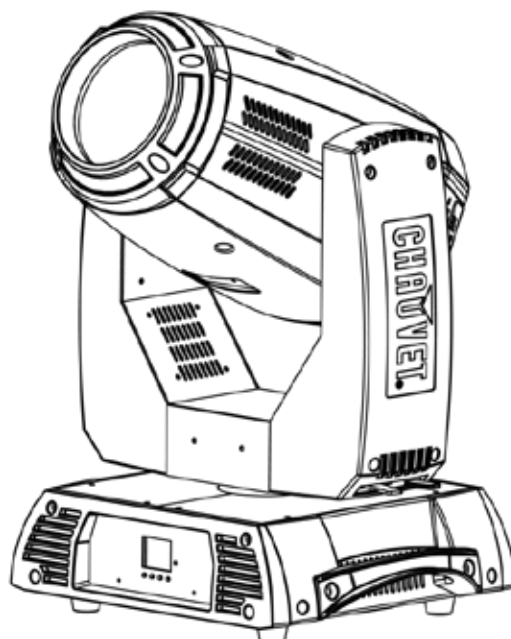
Orientation Always mount this product in a safe position and make sure there is adequate room for ventilation, configuration, and maintenance.

Rigging Chauvet recommends using the following general guidelines when mounting this product.

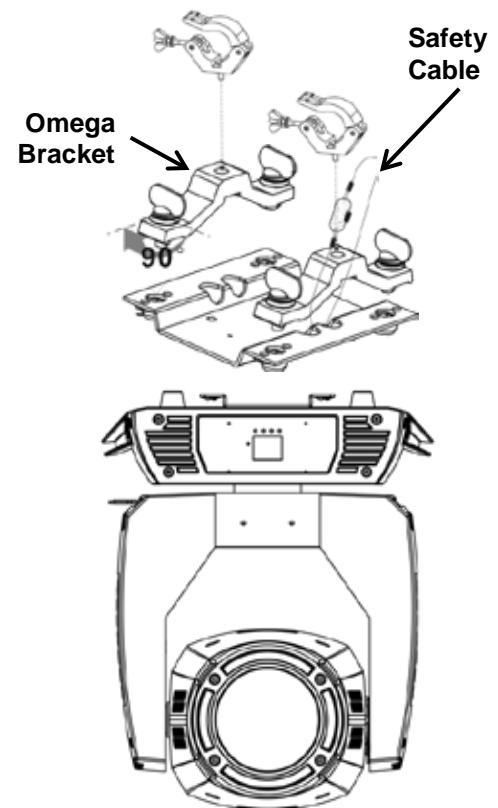
- When selecting an installation location, consider easy access to this product for operation, programming adjustments, and routine maintenance.
- The product is not intended for permanent installation.
- Make sure to mount this product away from any flammable material as indicated in the [Safety Notes](#).
- Never mount in places where rain, high humidity, extreme temperature changes, or restricted ventilation may affect the product.
- If hanging this product, make sure that the mounting location can support the product's weight. See the [Technical Specifications](#) for the weight-bearing requirements of this product.
- When hanging this product, always secure to a fastening device using a safety cable. For our CHAUVET® Professional line of safety cables, go to <http://trusst.com/products/>.

Procedure The Rogue RH1 Hybrid comes with a preinstalled mounting surface to which you will be able to attach the 2 included omega brackets. Make sure the clamps are capable of supporting the weight of this product. Use two mounting points per product. In addition, use a safety cable to link the product to the structure. For our CHAUVET® Professional line of mounting clamps, go to <http://trusst.com/products/>.

Mounting Diagram



Floor Mounting



Overhead Mounting

4. OPERATION

Control Panel Description	Button	Function
	<MENU>	Exits from the current menu or function
	<ENTER>	Enables the currently displayed menu or sets the currently selected value in to the current function
	<UP>	Navigates upward through the menu list or increases the numeric value when in a function
	<DOWN>	Navigates downward through the menu list or decreases the numeric value when in a function

Control Options You can set the Rogue RH1 Hybrid starting address in the **001–512** DMX range. This enables control of up to 20 products in the 25-channel **25CH** personality.

Programming Refer to the [Menu Map](#) to understand the menu options. The menu map shows the main level and a variable number of programming levels for each option.

- To enter programming mode, press any key on the control panel to wake the opening screen. Press **<MENU>** until you see one of the main level options.
- To highlight a menu option or to change a setting, press **<UP>** or **<DOWN>**.
- To change menu levels as shown in the [Menu Map](#), press **<ENTER>** or **<MENU>**. This is equivalent to moving right and left of the Menu Map, respectively.
- To accept the current or new value, press **<ENTER>**.
- To return to the previous menu without making changes, press **<MENU>**.
- To exit programming mode, press **<MENU>** until you see one of the main level options, the opening screen, or do not press any button for 30 seconds and the screen will automatically revert to the opening screen.

Menu Map

Main Level	Programming Levels		Description	
Address	001–512		Sets the DMX starting address	
Run Mode	DMX	20CH	Selects the DMX mode	
		25CH		
	Auto Test		Runs the product's test sequence	
	Manual Test	Pan	000–255	Allows manual control of all settings from the control panel
		Pan Fine		
		Tilt		
		Tilt Fine		
		P/T Speed		
		Dimmer		
		Dimmer Fine		
		Shutter		
		Color		
		Gobo2		
		Gobo		
		Gobo Rot		
Focus				
Focus Fine				
Zoom				
Zoom Fine				
Prism1				
Prism1 Rot				
Prism2				
Prism2 Rot				
Frost1				
Frost2				
P/T Macro				
P/T Ma.Speed				
Special Function				

Menu Map (Cont.)

Main Level	Programming Levels		Description	
Setup	Pan Reverse	YES	Reverse pan operation	
		NO	Normal pan operation	
	Tilt Reverse	YES	Reverse tilt operation	
		NO	Normal tilt operation	
	Screen Reverse	YES	Rotates control screen view 180°	
		NO	Normal control screen view	
	Pan Angle	540	Selects the 540° pan angle range	
		360	Selects the 360° pan angle range	
		180	Selects the 180° pan angle range	
	Tilt Angle	270	Selects the 270° tilt angle range	
		180	Selects the 180° tilt angle range	
		90	Selects the 90° tilt angle range	
	BL.O.P/T Move	YES	Defines the pan/tilt move-in-black delay	
		NO		
	BL.O.ColorMove	YES	Defines the color change move-in-black delay	
		NO		
	BL.O.GoboMove	YES	Defines the gobo change move-in-black delay	
		NO		
	Lamp Settings	On/Off	ON	Turns lamp on/off
			OFF	
		State/Power on	ON	Defines the status of lamp when powering up product
			OFF	
		Off Via Dmx	YES	Turns off the unit via DMX controller
			NO	
On If Dmx On		YES	Turns lamp on when DMX signal is detected	
		NO		
Off If Dmx Off		YES	Turns lamp off when DMX signal is lost	
		NO		
Ignition Delay	000–255	Selects duration of delay between product power on and lamp power on		
Low Power Delay	000–255	Selects the duration of delay when shutter is closed and lamp enters lower power state		
Reset Lamp Time	YES	Resets lamp timer to 0		
	NO	Leaves lamp time unchanged		

Menu Map (Cont.)

Main Level	Programming Levels			Description
Setup (Cont.)	Maintenance Timer	Interval	10–250	Defines amount of hours between maintenance
		Remaining Time	NO	Shows amount of time remaining in maintenance cycle
			RESET	Resets the time back to the beginning
	Reset Function	Pan/Tilt	YES	Resets pan/tilt functions to the home position
			NO	
		Shutter/ Prism	YES	Resets all shutter/prism functions to the home position
			NO	
		Color	YES	Resets all color functions to the home position
			NO	
		Gobo	YES	Resets all gobo functions to the home position
			NO	
		Zoom/ Frost/ Focus	YES	Resets the zoom, frost, and focus functions to the home position
	NO			
	All	YES	Resets all functions to the home position	
		NO		
Factory Settings	YES		Reverts the product back to the original factory settings	
	NO			
Sys Info	Ver:			Displays the software version
	Running Mode:			Displays the current running mode
	Dmx Address:			Displays the current DMX address
	Temperature:			Displays the product's temperature in Celsius
	Lamp On Time:			Displays the amount of time the lamp has been on (provided the counter has been reset upon installation of new lamp)
	Remain Time:			Shows amount of time remaining in maintenance cycle

Address This programming level sets the DMX starting address.

- Starting from the Main Level screen, select **Address**, press **<ENTER>**.

Set the DMX Address In this mode, each product will respond to a unique starting address from the DMX controller. All products with the same starting address will respond in unison. This option sets the products DMX address.

- Change the starting address (**001–512**), press **<ENTER>**.

Run Mode This programming level sets the DMX personality and controls the different test modes.

- Starting from the Main Level screen, select **Run Mode**, press **<ENTER>**.

DMX Personality This option selects which DMX Personality the product uses.

- Highlight **DMX**, press **<ENTER>**.
- Select the DMX personality **20CH** or **25CH**, press **<ENTER>**.



- See the [DMX Values](#) section for the highest starting address you can select for each personality.

- Make sure that the starting addresses on the various products do not overlap due to the new personality setting.**

Auto Test This option runs every attribute individually through 1 cycle.

- Highlight **Auto Test**, press **<ENTER>**.



- The Auto Test will end after 1 full cycle. You can stop the test by pressing <MENU> at any time.**


Manual Test This option allows you to run each attribute individually or as a group.

- Highlight **Manual Test**, press **<ENTER>**.
- Highlight the desired attribute listed on the control panel screen, press **<ENTER>**.
 - Set the attribute value (**000–255**), press **<ENTER>**.
- Repeat step 2 for the other attributes.



- When exiting the Manual Test level, the values of all tested channels will go back to zero.**

- Setup** This programming level controls the product's head movement, lamp adjustments, and maintenance timer.
- Starting from the Main Level screen, select **Setup**, press **<ENTER>**.
- Pan Reverse** Reverses the operation of the pan attribute.
- Highlight **Pan Reverse**, press **<ENTER>**.
 - Select **YES** or **NO**, press **<ENTER>**.
- Tilt Reverse** Reverses the operation of the tilt attribute.
- Highlight **Tilt Reverse**, press **<ENTER>**.
 - Select **YES** or **NO**, press **<ENTER>**.
- Screen Reverse** To invert the control panel screen:
- Highlight **Screen Reverse**, press **<ENTER>**.
 - Select **YES** or **NO**, press **<ENTER>**.
- Pan Angle** This option assigns pan range.
- Highlight **Pan Angle**, press **<ENTER>**.
 - Select **540**, **360**, or **180**, press **<ENTER>**.
- Tilt Angle** This option assigns tilt range.
- Highlight **Tilt Angle**, press **<ENTER>**.
 - Select **90**, **180**, or **270**, press **<ENTER>**.
- Pan and Tilt Movement BlackOut** This option engages the shutter to block all light output whenever the product's head is in motion.
- Highlight **BL.O.P/T Move**, press **<ENTER>**.
 - Select **YES** or **NO**, press **<ENTER>**.
- Color Movement BlackOut** This option engages the shutter to block all light output whenever the product's color wheel is in motion.
- Highlight **BL.O.ColorMove**, press **<ENTER>**.
 - Select **YES** or **NO**, press **<ENTER>**.
- Gobo Movement BlackOut** This option engages the shutter to block all light output whenever the product's gobo wheel is in motion.
- Highlight **BL.O.GoboMove**, press **<ENTER>**.
 - Select **YES** or **NO**, press **<ENTER>**.

- Lamp Settings** This programming level allows the user to change a range of options that control the action of the lamp.
- Starting from the **Setup** screen level, select **Lamp Settings**, press **<ENTER>**.
- Turning the Lamp On/Off** This option turns the lamp on and off.
- Highlight **On/Off**, press **<ENTER>**.
 - Select **ON** or **OFF**, press **<ENTER>**.
 - Do not turn product on without a lamp!**
 - ALWAYS turn the lamp off by using the DMX controller or the product's control panel, then wait at least 5 minutes before switching off the product. This will keep the fans running to extract any remaining heat from the product's head.**
 - DO NOT power cycle the product unless it is necessary.**
 - DO NOT re-strike the lamp immediately after turning it off. Chauvet recommends waiting 5 minutes before trying to re-strike the lamp.**
- 
- Lamp State** This option determines whether the lamp turns on automatically when the product is powered up.
- Highlight **State/Power on**, press **<ENTER>**.
 - Select **ON** or **OFF**, press **<ENTER>**.
- Remote Turn Off** This option allows a connected DMX controller to turn the lamp on/off via the control channel.
- Highlight **Off Via Dmx**, press **<ENTER>**.
 - Select **YES** or **NO**, press **<ENTER>**.
- Lamp On if DMX Present** This option determines whether the lamp turns on automatically when a DMX signal is detected.
- Highlight **On If Dmx On**, press **<ENTER>**.
 - Select **YES** or **NO**, press **<ENTER>**.
- Lamp Off if DMX Absent** This option determines whether the lamp turns off automatically when a DMX signal is lost.
- Highlight **Off If Dmx Off**, press **<ENTER>**.
 - Select **YES** or **NO**, press **<ENTER>**.
- Lamp Strike Delay** This option sets the duration of time (seconds) it takes for the lamp to turn on when powering up the product.
- Highlight **Ignition Delay**, press **<ENTER>**.
 - Select **000–255**, press **<ENTER>**.
- Lamp Low Power State** This attribute puts the lamp into a low power state when the shutters are closed helping to increase the life of the shutters. This option allows the user to adjust how long from the instant the shutters are closed to the time the lamp enter the low power state.
- Highlight **Low Power Delay**, press **<ENTER>**.
 - Select **000–255**, press **<ENTER>**.
- Lamp Timer** This procedure resets the lamp maintenance timer to **0**. It is recommended that this be done after every lamp change.
- Highlight **Reset Lamp Time**, press **<ENTER>**.
 - Select **010–250**, press **<ENTER>**.

- Maintenance Timer** This programming level allows the user to change a range of options that control the action of the maintenance timer.
- Starting from the **Setup** screen level, select **Maintenance Timer**, press **<ENTER>**.
- Maintenance Timer Interval** This option defines the amount of time (hours) that the maintenance timer will count down to.
- Highlight **Interval**, press **<ENTER>**.
 - Select **YES** or **NO**, press **<ENTER>**.
- Maintenance Timer Reset** This option resets the maintenance timer.
- Highlight **Remaining Time**, press **<ENTER>**.
 - Select **RESET** or **NO**, press **<ENTER>**.
- Reset Function** This programming level allows the user to reset individual functions to the home position.
- Starting from the **Setup** screen level, select **Reset Function**, press **<ENTER>**.
- Pan/Tilt Reset** This option resets the Pan/Tilt functions to the home position.
- Highlight **Pan/Tilt**, press **<ENTER>**.
 - Select **YES** or **NO**, press **<ENTER>**.
- Shutter/Prism Reset** This option resets the Shutter/Prism functions to the home position.
- Highlight **Shutter/Prism**, press **<ENTER>**.
 - Select **YES** or **NO**, press **<ENTER>**.
- Color Reset** This option resets the Color functions to the home position.
- Highlight **Color**, press **<ENTER>**.
 - Select **YES** or **NO**, press **<ENTER>**.
- Gobo Reset** This option resets the Gobo functions to the home position.
- Highlight **Gobo**, press **<ENTER>**.
 - Select **YES** or **NO**, press **<ENTER>**.
- Zoom/Frost/Focus Reset** This option resets the Zoom/Frost/Focus functions to the home position.
- Highlight **Zoom/Frost/Focus**, press **<ENTER>**.
 - Select **YES** or **NO**, press **<ENTER>**.
- All Reset** This option resets the all the functions to the home position.
- Highlight **All**, press **<ENTER>**.
 - Select **YES** or **NO**, press **<ENTER>**.
- Factory Reset Function** This reverts the product back to its original factory settings.
- Starting from the **Setup** screen level, select **Factory Settings**, press **<ENTER>**.
 - Select **YES** or **NO**, press **<ENTER>**.

System Information

This programming level shows standard information regarding the product's operating status.

- Starting from the Main Level screen, select **Sys Info**, press **<ENTER>**.
 - **Ver:** The current software version is displayed on the screen.
 - **Running Mode:** The current Running mode is displayed on the screen.
 - **DMX Address:** The current DMX address is displayed on the screen.
 - **Temperature:** The current product temperature is displayed on the screen.
 - **Lamp On Time:** The amount of hours the lamp has been on is displayed on the screen.
 - **Remain Time:** The time remaining in the maintenance cycle is displayed on the screen.

Offset Mode

The Offset mode provides fine adjustments for the home position of all the moving parts in the optical path as well as the pan and tilt movements. This way, when in their home position, the moving parts do not show any border or reduce the light output.

1. Starting from the Main Level screen, Press and hold **<MENU>** until the passcode screen appears.
2. Using **<UP>** to increase the number value and **<DOWN>** to move to the next column, enter **2323**, press **<ENTER>**. This brings you into the Zero Adjust menu screen.

- Pan**
1. Highlight **PAN**, press **<ENTER>**.
 2. Select **000–255**, press **<ENTER>**.

- Tilt**
1. Highlight **TILT**, press **<ENTER>**.
 2. Select **000–255**, press **<ENTER>**.

- Dimmer**
1. Highlight **DIMMER**, press **<ENTER>**.
 2. Select **000–255**, press **<ENTER>**.

- Gobo**
1. Highlight **GOBO**, press **<ENTER>**.
 2. Select **000–255**, press **<ENTER>**.

- Color**
1. Highlight **COLOR**, press **<ENTER>**.
 2. Select **000–255**, press **<ENTER>**.

- Prism**
1. Highlight **PRISM**, press **<ENTER>**.
 2. Select **000–255**, press **<ENTER>**.

- Rotating Prism**
1. Highlight **R-PRISM**, press **<ENTER>**.
 2. Select **000–255**, press **<ENTER>**.

- Zoom**
1. Highlight **ZOOM**, press **<ENTER>**.
 2. Select **000–255**, press **<ENTER>**.

- Focus**
1. Highlight **FOCUS**, press **<ENTER>**.
 2. Select **000–255**, press **<ENTER>**.

- Frost**
1. Highlight **FROST**, press **<ENTER>**.
 2. Select **000–255**, press **<ENTER>**.

DMX Values

25CH	Channel	Function	Value	Percent/Setting
	1	Pan	000ó 255	0–100%
	2	Fine Pan	000ó 255	Fine control (16-bit)
	3	Tilt	000ó 255	0–100%
	4	Fine Tilt	000ó 255	Fine control (16-bit)
	5	Pan/Tilt Speed	000ó 255	0–100%
	6	Dimmer	000ó 255	0–100%
	7	Fine Dimmer	000ó 255	Fine control (16-bit)
	8	Shutter	000ó 007	Closed
			008ó 015	Open
			016ó 131	Slow to fast
			132ó 167	Fast close, slow open (slow to fast)
			168ó 203	Slow close, fast open (slow to fast)
			204ó 239	Pulse effect from slow to fast
			240ó 247	Random effect from slow to fast
			248ó 255	Open
	9	Color Wheel	000ó 003	Open
			004ó 007	Red
			008ó 011	Orange
			012ó 015	Cyan
			016ó 019	Light green
			020ó 023	Light yellow
			024ó 027	Green
			028ó 031	Magenta
			032ó 035	Dark Blue
			036ó 039	Dark yellow
			040ó 043	Blue
			044ó 047	CTO 5600 K
			048ó 051	CTO 6500 K
			052ó 059	UV
			060ó 187	Split colors
			188ó 219	Clockwise color scroll, fast to slow
	220ó 223	Stop		
	224ó 255	Counter-clockwise color scroll, slow to fast		

DMX Values (Cont.)

25CH (Cont.)	Channel	Function	Value	Percent/Setting
			000 ó 003	Open (See note in Ch. 11)
			004 ó 006	Gobo 1
			007 ó 009	Gobo 2
			010 ó 012	Gobo 3
			013 ó 015	Gobo 4
			016 ó 018	Gobo 5
			019 ó 021	Gobo 6
			022 ó 024	Gobo 7
			025 ó 027	Gobo 8
			028 ó 030	Gobo 9
			031 ó 033	Gobo 10
			034 ó 036	Gobo 11
			037 ó 039	Gobo 12
			040 ó 042	Gobo 13
			043 ó 059	Open
	10	Gobo Wheel 1	060 ó 063	Gobo shake 1, slow to fast
			064 ó 067	Gobo shake 2, slow to fast
			068 ó 071	Gobo shake 3, slow to fast
			072 ó 075	Gobo shake 4, slow to fast
			076 ó 079	Gobo shake 5, slow to fast
			080 ó 083	Gobo shake 6, slow to fast
			084 ó 087	Gobo shake 7, slow to fast
			088 ó 091	Gobo shake 8, slow to fast
			092 ó 095	Gobo shake 9, slow to fast
			096 ó 099	Gobo shake 10, slow to fast
			100 ó 103	Gobo shake 11, slow to fast
			104 ó 107	Gobo shake 12, slow to fast
			108 ó 111	Gobo shake 13, slow to fast
			112 ó 127	Open
			128 ó 189	Clockwise gobo scroll, fast to slow
			190 ó 193	Stop
			194 ó 255	Counter-clockwise gobo scroll, slow to fast

DMX Values (Cont.)

 For open aperture to engage, Gobo Wheel 1 must be set in the open position. (Value 000-003)

25CH (Cont.)	Channel	Function	Value	Percent/Setting
	11	Gobo Wheel 2	000	Open
			001 ó 005	Open (aperture sets to spot mode)
			006 ó 011	Gobo 1
			012 ó 017	Gobo 2
			018 ó 023	Gobo 3
			024 ó 029	Gobo 4
			030 ó 035	Gobo 5
			036 ó 041	Gobo 6
			042 ó 047	Gobo 7
			048 ó 053	Gobo 8
			054 ó 063	Gobo 9
			064 ó 073	Gobo shake 1, slow to fast
			074 ó 079	Gobo shake 2, slow to fast
			080 ó 085	Gobo shake 3, slow to fast
			086 ó 091	Gobo shake 4, slow to fast
			092 ó 097	Gobo shake 5, slow to fast
			098 ó 103	Gobo shake 6, slow to fast
			104 ó 109	Gobo shake 7, slow to fast
			110 ó 115	Gobo shake 8, slow to fast
			116 ó 121	Gobo shake 9, slow to fast
122 ó 127	Open			
128 ó 191	Clockwise gobo scroll, fast to slow			
192 ó 255	Counter-clockwise gobo scroll, slow to fast			
12	Gobo Wheel 2 Rotate	000 ó 063	Gobo index	
		064 ó 147	Clockwise rotation, slow to fast	
		148 ó 231	Counter-clockwise rotation, fast to slow	
		232 ó 255	Clockwise rotation/counter-clockwise rotation	
13	Focus	000 ó 255	0–100%	
14	Fine Focus	000 ó 255	Fine control (16-bit)	
15	Zoom	000 ó 255	0–100%	
16	Fine Zoom	000 ó 255	Fine control (16-bit)	
17	Prism 1	000 ó 004	No function	
		005 ó 255	Prism insert	
18	Prism 1 Rotate	000 ó 127	Prism index	
		128 ó 189	Clockwise rotation, fast to slow	
		190 ó 193	Stop	
		194 ó 255	Counter-Clockwise rotation, slow to fast	
19	Prism 2	000 ó 004	No function	
		005 ó 255	Prism insert	
20	Prism 2 Rotate	000 ó 127	Prism index	
		128 ó 189	Clockwise rotation, fast to slow	
		190 ó 193	Stop	
		194 ó 255	Counter-Clockwise rotation, slow to fast	
21	Frost	000 ó 255	0–100%	
22	Beam Defraction	000 ó 255	0–100%	

DMX Values (Cont.)

25CH (Cont.)	Channel	Function	Value	Percent/Setting
			000ó 007	No function
			008ó 015	Effect 1
			016ó 023	Effect 2
			024ó 031	Effect 3
			032ó 039	Effect 4
			040ó 047	Effect 5
			048ó 055	Effect 6
			056ó 063	Effect 7
			064ó 071	Effect 8
			072ó 079	Effect 9
			080ó 087	Effect 10
			088ó 095	Effect 11
			096ó 103	Effect 12
			104ó 111	Effect 13
			112ó 119	Effect 14
	23	Movement Macros	120ó 127	Effect 15
			128ó 135	Effect 16
			136ó 143	Effect 17
			144ó 151	Effect 18
			152ó 159	Effect 19
			160ó 167	Effect 20
			168ó 175	Effect 21
			176ó 183	Effect 22
			184ó 191	Effect 23
			192ó 199	Effect 24
			200ó 207	Effect 25
			208ó 215	Effect 26
			216ó 223	Effect 27
			224ó 231	Effect 28
			232ó 239	Effect 29
			240ó 247	Effect 30
			248ó 255	Effect 31

DMX Values (Cont.)

25CH (Cont.)	Channel	Function	Value	Percent/Setting
	24	Movement Macro Speed	000 ó 255	0–100%
	25	Control	000 ó 029	No function
			030 ó 039	Dimmer conventional mode
			040 ó 049	Dimmer linear mode
			050 ó 059	Pan/Tilt fast mode
			060 ó 069	Pan/Tilt normal mode
			070 ó 079	Blackout during pan/tilt (3 sec hold)
			080 ó 089	Disable pan/tilt blackout (3 sec hold)
			090 ó 099	Blackout while color wheel moving (3 sec hold)
			100 ó 109	Disable color wheel blackout (3 sec hold)
			110 ó 119	Blackout while gobo wheels moving (3 sec hold)
			120 ó 129	Disable gobo wheel blackout (3 sec hold)
			130 ó 139	Lamp on
			140 ó 149	Pan/Tilt reset
			150 ó 159	Color wheel reset
			160 ó 169	Gobo wheel reset
			170 ó 179	Shutter/prism reset
			180 ó 189	No function
			190 ó 199	Frost/focus/zoom reset
			200 ó 209	All reset
			210 ó 219	Blackout all function during pan/tilt
	220 ó 229	Disable blackout all functions during pan/tilt		
	230 ó 239	Lamp off		
	240 ó 247	Pan/Tilt movement ramp speed, increase on		
	248 ó 255	Pan/Tilt movement ramp speed, increase off		

DMX Values (Cont.)

20CH	Channel	Function	Value	Percent/Setting
	1	Pan	000 ó 255	0–100%
	2	Fine Pan	000 ó 255	Fine control (16-bit)
	3	Tilt	000 ó 255	0–100%
	4	Fine Tilt	000 ó 255	Fine control (16-bit)
	5	Pan/Tilt Speed	000 ó 255	0–100%
	6	Dimmer	000 ó 255	0–100%
	7	Shutter	000 ó 007	Closed
			008 ó 015	Open
			016 ó 131	Slow to fast
			132 ó 167	Fast close, slow open (slow to fast)
			168 ó 203	Slow close, fast open (slow to fast)
			204 ó 239	Pulse effect from slow to fast
			240 ó 247	Random effect from slow to fast
			248 ó 255	Open
	8	Color Wheel	000 ó 003	Open
			004 ó 007	Red
			008 ó 011	Orange
			012 ó 015	Cyan
			016 ó 019	Light green
			020 ó 023	Light yellow
			024 ó 027	Green
			028 ó 031	Magenta
			032 ó 035	Dark Blue
			036 ó 039	Dark yellow
			040 ó 043	Blue
			044 ó 047	CTO 5600 K
			048 ó 051	CTO 6500 K
			052 ó 059	UV
			060 ó 187	Split colors
			188 ó 219	Clockwise color scroll, fast to slow
	220 ó 223	Stop		
	224 ó 255	Counter-clockwise color scroll, slow to fast		

DMX Values (Cont.)

20CH (Cont.)	Channel	Function	Value	Percent/Setting
			000 ó 003	Open (See note in Ch. 10)
			004 ó 006	Gobo 1
			007 ó 009	Gobo 2
			010 ó 012	Gobo 3
			013 ó 015	Gobo 4
			016 ó 018	Gobo 5
			019 ó 021	Gobo 6
			022 ó 024	Gobo 7
			025 ó 027	Gobo 8
			028 ó 030	Gobo 9
			031 ó 033	Gobo 10
			034 ó 036	Gobo 11
			037 ó 039	Gobo 12
			040 ó 042	Gobo 13
			043 ó 059	Open
	9	Gobo Wheel 1	060 ó 063	Gobo shake 1, slow to fast
			064 ó 067	Gobo shake 2, slow to fast
			068 ó 071	Gobo shake 3, slow to fast
			072 ó 075	Gobo shake 4, slow to fast
			076 ó 079	Gobo shake 5, slow to fast
			080 ó 083	Gobo shake 6, slow to fast
			084 ó 087	Gobo shake 7, slow to fast
			088 ó 091	Gobo shake 8, slow to fast
			092 ó 095	Gobo shake 9, slow to fast
			096 ó 099	Gobo shake 10, slow to fast
			100 ó 103	Gobo shake 11, slow to fast
			104 ó 107	Gobo shake 12, slow to fast
			108 ó 111	Gobo shake 13, slow to fast
			112 ó 127	Open
			128 ó 189	Clockwise gobo scroll, fast to slow
			190 ó 193	Stop
			194 ó 255	Counter-clockwise gobo scroll, slow to fast

DMX Values (Cont.)



For open aperture to engage, Gobo Wheel 1 must be set in the open position. (Value 000-003)

20CH (Cont.)	Channel	Function	Value	Percent/Setting
	10	Gobo Wheel 2	000	Open
			001-005	Open (aperture sets to spot mode)
			006-011	Gobo 1
			012-017	Gobo 2
			018-023	Gobo 3
			024-029	Gobo 4
			030-035	Gobo 5
			036-041	Gobo 6
			042-047	Gobo 7
			048-053	Gobo 8
			054-063	Gobo 9
			064-073	Gobo shake 1, slow to fast
			074-079	Gobo shake 2, slow to fast
			080-085	Gobo shake 3, slow to fast
			086-091	Gobo shake 4, slow to fast
			092-097	Gobo shake 5, slow to fast
			098-103	Gobo shake 6, slow to fast
			104-109	Gobo shake 7, slow to fast
			110-115	Gobo shake 8, slow to fast
			116-121	Gobo shake 9, slow to fast
122-127	Open			
128-191	Clockwise gobo scroll, fast to slow			
192-255	Counter-clockwise gobo scroll, slow to fast			
11	Gobo Wheel 2 Rotate	000-063	Gobo index	
		064-147	Clockwise rotation, slow to fast	
		148-231	Counter-clockwise rotation, fast to slow	
		232-255	Clockwise rotation/counter-clockwise rotation	
12	Focus	000-255	0–100%	
13	Zoom	000-255	0–100%	
14	Prism 1	000-004	No function	
		005-255	Prism insert	
15	Prism 1 Rotate	000-127	Prism index	
		128-189	Clockwise rotation, fast to slow	
		190-193	Stop	
		194-255	Counter-Clockwise rotation, slow to fast	
16	Prism 2	000-004	No function	
		005-255	Prism insert	
17	Prism 2 Rotate	000-127	Prism index	
		128-189	Clockwise rotation, fast to slow	
		190-193	Stop	
		194-255	Counter-Clockwise rotation, slow to fast	
18	Frost	000-255	0–100%	
19	Beam Defraction	000-255	0–100%	

DMX Values (Cont.)

20CH (Cont.)	Channel	Function	Value	Percent/Setting
			000 ó 029	No function
			030 ó 039	Dimmer conventional mode
			040 ó 049	Dimmer linear mode
			050 ó 059	Pan/Tilt fast mode
			060 ó 069	Pan/Tilt normal mode
			070 ó 079	Blackout during pan/tilt (3 sec hold)
			080 ó 089	Disable pan/tilt blackout (3 sec hold)
			090 ó 099	Blackout while color wheel moving (3 sec hold)
			100 ó 109	Disable color wheel blackout (3 sec hold)
			110 ó 119	Blackout while gobo wheels moving (3 sec hold)
			120 ó 129	Disable gobo wheel blackout (3 sec hold)
	20	Control	130 ó 139	Lamp on
			140 ó 149	Pan/Tilt reset
			150 ó 159	Color wheel reset
			160 ó 169	Gobo wheel reset
			170 ó 179	Shutter/prizm reset
			180 ó 189	No function
			190 ó 199	Frost/focus/zoom reset
			200 ó 209	All reset
			210 ó 219	Blackout all function during pan/tilt
			220 ó 229	Disable blackout all functions during pan/tilt
			230 ó 239	Lamp off
			240 ó 247	Pan/Tilt movement ramp speed, increase on
			248 ó 255	Pan/Tilt movement ramp speed, increase off

5. TECHNICAL INFORMATION

Product Maintenance

To maintain optimum performance and minimize wear, you should clean this product frequently. Usage and environment are contributing factors in determining the cleaning frequency.

As a rule, clean this product at least twice a month. Dust build-up reduces light output performance and can cause overheating. This can lead to reduced light source life and increased mechanical wear.

To clean your product:

1. Unplug the product from power.
2. Wait until the product is at room temperature.
3. Use a vacuum (or dry compressed air) and a soft brush to remove dust collected on the external vents.
4. Clean all external surfaces with a mild solution of non-ammonia glass cleaner or isopropyl alcohol.
5. Apply the solution directly to a soft, lint-free cotton cloth or a lens cleaning tissue.
6. Wipe any dirt or grime to the outside edges of the lens surface.
7. Gently polish the lens surfaces until they are free of haze and lint.



Always dry the external surfaces thoroughly and carefully after cleaning them.



Do not spin the cooling fans while blowing compressed air into them.

6. TECHNICAL SPECIFICATIONS

Dimensions and Weight	Length	Width	Height	Weight
	16.1 in (409 mm)	12.9 in (327 mm)	25.8 in (638 mm)	55.2 lb (25.1 kg)
Note: Dimensions in inches rounded to the nearest decimal digit.				
Power	Power Supply Type	Range		Voltage Selection
	Switching (internal)	100–240 VAC, 50/60 Hz		Auto-ranging
	Parameter	120 VAC, 60 Hz		230 VAC, 50 Hz
	Consumption	548 W		522 W
	Current	4.53 A		2.3 A
	Fuse	T 10 A, 250 V		T 10 A, 250 V
	Power I/O	U.S./Canada		Worldwide
Power input connector	Neutrik® powerCON® A		Neutrik® powerCON® A	
Power cord plug	Edison		Local	
Light Source	Type	Power	Lifespan	
	HRI	330 W	1,500 hours	
Photometrics	Parameter	Spot Mode		Beam Mode
	Illuminance @ 5 m	112,200 lux (3°)		
	Illuminance @ 5 m	8,230 lux (10°)		
	Illuminance @ 15 m			111,000 lux (1°)
	Illuminance @ 15 m			7,320 lux (4.5°)
	Beam angle	3°–10°		1°–4.5°
	Field Angle	5°–19°		2.5°–8°
Thermal	Max. External Temperature	Cooling System		
	113 °F (45 °C)	Fan-Cooled		
DMX	I/O Connectors	Connector Type		Channel Range
	3- and 5-pin XLR	Sockets		20 or 25
Ordering	Product Name	Item Code	UPC Number	
	Rogue RH1 Hybrid	08010949	781462212971	



RETURNS

In case you need to get support or return a product:

- If you are located in the U.S., contact Chauvet World Headquarters.
- If you are located in the UK or Ireland, contact Chauvet Europe Ltd.
- If you are located in Mexico, contact Chauvet Mexico.
- If you are located in Benelux, contact Chauvet Europe BVBA.

If you are located in any other country, DO NOT contact Chauvet. Instead, contact your local distributor. See www.chauvetlighting.com for distributors outside the U.S., UK, Ireland, Mexico, or Benelux.



If you are located outside the U.S., UK, Ireland, Mexico, or Benelux, contact your distributor of record and follow their instructions on how to return Chauvet products to them. Visit our website www.chauvetlighting.com for contact details.

Call the corresponding Chauvet Technical Support office and request a Return Merchandise Authorization (RMA) number before shipping the product. Be prepared to provide the model number, serial number, and a brief description of the cause for the return.

Send the merchandise prepaid, in its original box, and with its original packing and accessories. Chauvet will not issue call tags.

Clearly label the package with the RMA number. Chauvet will refuse any product returned without an RMA number.



Write the RMA number on a properly affixed label. DO NOT write the RMA number directly on the box.

Before sending the product, clearly write the following information on a piece of paper and place it inside the box:

- Your name
- Your address
- Your phone number
- RMA number
- A brief description of the problem

Be sure to pack the product properly. Any shipping damage resulting from inadequate packaging will be your responsibility. FedEx packing or double-boxing are recommended.



Chauvet reserves the right to use its own discretion to repair or replace returned product(s).

CONTACT Us

USA WORLD HEADQUARTERS

General Information – Chauvet

Address: 5200 NW 108th Avenue
Sunrise, FL 33351

Voice: (954) 577-4455

Fax: (954) 929-5560

Toll free: (800) 762-1084

Technical Support

Voice: (954) 577-4455 (Press 4)

Fax: (954) 756-8015

Email: tech@chauvetlighting.com

World Wide Web www.chauvetlighting.com

EUROPE

General Information - Chauvet Europe BVBA

Address: Stokstraat 18
9770 Kruishoutem
Belgium

Voice: +32 9 388 93 97

Technical Support

Email: Eutech@chauvetlighting.eu

World Wide Web www.chauvetlighting.eu

General Information - Chauvet Europe Ltd.

Address: Unit 1C
Brookhill Road Industrial Estate
Pinxton, Nottingham, UK
NG16 6NT

Voice: +44 (0)1773 511115

Fax: +44 (0)1773 511110

Technical Support

Email: uktech@chauvetlighting.com

World Wide Web www.chauvetlighting.co.uk

MEXICO

General Information - Chauvet Mexico

Address: Av. Santa Ana 30
Parque Industrial Lerma
Lerma, Mexico C.P. 52000

Voice: +52 (728) 285-5000

Technical Support

Email: servicio@chauvet.com.mx

World Wide Web www.chauvet.com.mx

Outside the U.S., United Kingdom, Ireland, Mexico, or Benelux contact the dealer of record. Follow their instructions to request support or to return a product. Visit our website for contact details.