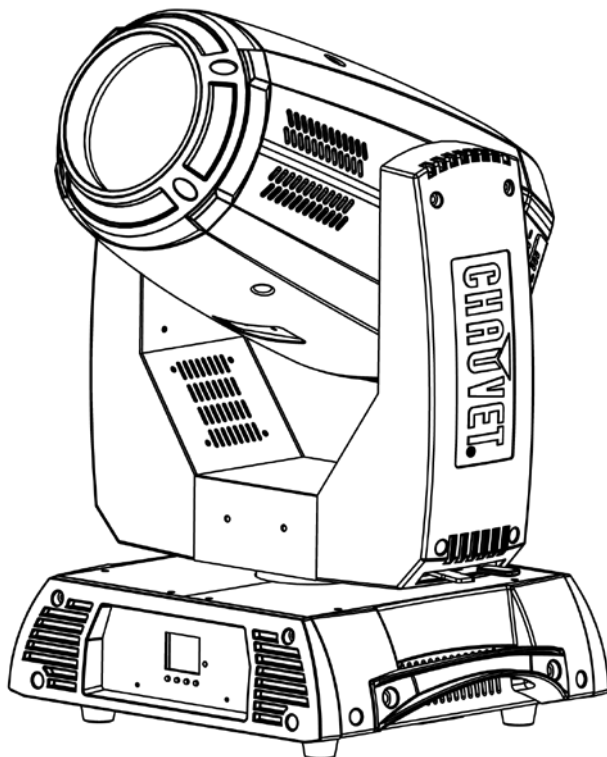


ROGUE™



Quick Reference Guide

English	EN
Español	ES
Français	FR
Nederlands	NL



CHAUVET®
PROFESSIONAL

About This Guide The Rogue™ RH1 Hybrid Quick Reference Guide (QRG) has basic product information such as connection, mounting, menu options, and DMX values. Download the User Manual from www.chauvetprofessional.com for more details.

Disclaimer The information and specifications contained in this QRG are subject to change without notice.

- Safety Notes**
- DO NOT open this product. It contains no user-serviceable parts.
 - To eliminate unnecessary wear and improve its lifespan, during periods of non-use completely disconnect the product from power via breaker or by unplugging it.
 - CAUTION: When transferring product from extreme temperature environments, (e.g. cold truck to warm humid ballroom) condensation may form on the internal electronics of the product. To avoid causing a failure, allow product to fully acclimate to the surrounding environment before connecting it to power.
 - DO NOT look at the light source when the product is on.
 - CAUTION: This product’s housing may be hot when lights are operating.
 - Mount this product in a location with adequate ventilation, at least 20 in (50 cm) from adjacent surfaces.
 - DO NOT leave any flammable material within 50 cm of this product while operating or connected to power.
 - USE a safety cable when mounting this product overhead.
 - DO NOT operate this product outdoors or in any location where dust, excessive heat, water, or humidity may affect it. (IP20)
 - DO NOT operate this product if the housing, lenses, or cables appear damaged.
 - DO NOT connect this product to a dimmer or rheostat.
 - ONLY connect this product to a grounded and protected circuit.
 - ONLY use mounting brackets or the handles to carry this product. Do not carry by the moving head.
 - In the event of a serious operating problem, stop using immediately.
 - The maximum ambient temperature is 113 °F (45 °C). Do not operate this product at higher temperatures.

- Contact**
- From outside the U.S., UK, Ireland, Mexico, or Benelux, contact the distributor of record to request support or return a product.
 - From inside the U.S., UK, Ireland, Mexico, or Benelux, use the information in [Contact Us](#) at the end of this QRG.

- What Is Included**
- Rogue™ RH1 Hybrid
 - Neutrik® powerCON® power cord
 - Warranty Card
 - 2 Omega brackets with mounting hardware
 - Quick Reference Guide

AC Power This product has an auto-ranging power supply that can work with an input voltage range of 100–240 VAC, 50/60 Hz.



To eliminate unnecessary wear and improve its lifespan, during periods of non-use completely disconnect the product from power via breaker or by unplugging it.

AC Plug

Connection	Wire (U.S.)	Wire (Europe)	Screw Color
AC Live	Black	Brown	Yellow/Brass
AC Neutral	White	Blue	Silver
AC Ground	Green/Yellow	Green/Yellow	Green

Replacing The Fuse

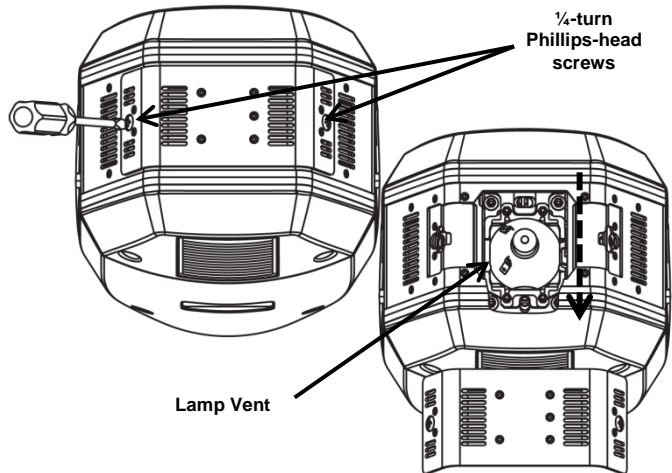
1. Disconnect this product from power.
2. Using a Phillips #2 head screwdriver, unscrew the fuse holder cap from the housing.
3. Remove blown fuse and replace with a good fuse of the same type and rating.
4. Screw the fuse holder cap back in place and reconnect power.

Lamp Replacement

1. Turn the fixture off and disconnect it from power.
2. Wait at least 15 minutes for the lamp to cool down.
3. Loosen 2 Phillips-head ¼-turn screws on rear panel of the head.
4. Take note as to the orientation of the lamp. Vent holes on the front of the lamp should align horizontally with the air vents on the lamp frame. Orient the product so that the lamp power wires are coming from the lower right corner as you are looking at the rear head.
5. Using the lamp base, push the lamp down against the spring clips located on the bottom, then roll the lamp out the top.
6. Pull the 2 wires connected to the lamp by the spade terminals.
7. Reverse the steps above to install the new lamp.



Please refer to the User Manual for more detailed instructions with images.

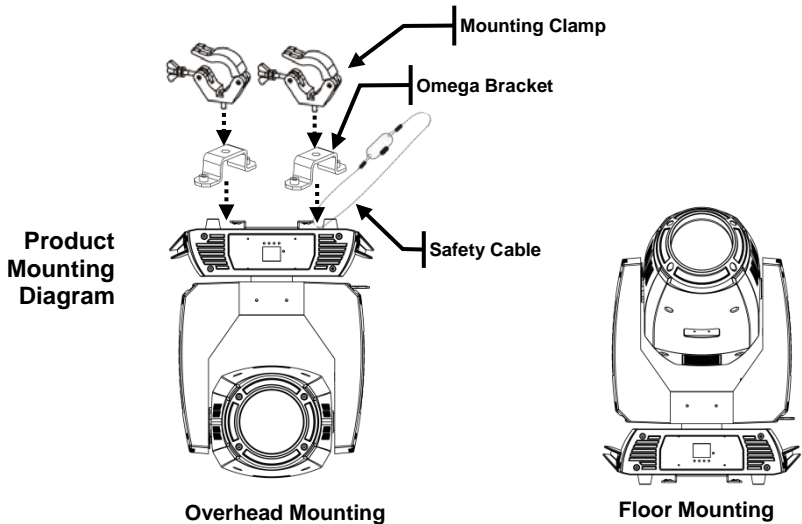


RISK OF LAMP EXPLOSION! Vent holes on the front of the lamp should align horizontally with the air vents on the lamp frame. This is extremely important for lamp cooling.

DMX Linking The Rogue™ RH1 Hybrid will work with a DMX controller using a 3- or 5-pin DMX serial connection. A DMX Primer is available from www.chauvetprofessional.com.

DMX Connection The Rogue™ RH1 Hybrid uses a 3- or 5-pin DMX data connection for its DMX personalities: **20CH** and **25CH**. See the User Manual for information about connecting and configuring the product for DMX operation.

Mounting Before mounting this product, read the [Safety Notes](#). Use at least one mounting point per product. Make sure the mounting clamps are capable of supporting the weight of the product. For our Chauvet line of mounting clamps, go to www.trusst.com/productcategory/accessories-clamps/.



Control Panel Description

Button	Function
<MENU>	Exits from the current menu or function
<ENTER>	Enables the currently displayed menu or sets the currently selected value into the selected function
<UP>	Navigates upwards through the menu list or increases the numeric value when in a function
<DOWN>	Navigates downwards through the menu list or decreases the numeric value when in a function

Menu Map

Main Level	Programming Levels		Description	
Address	001–512		Sets the DMX starting address	
Run Mode	DMX	20CH	Selects the DMX mode	
		25CH		
	Auto Test		Runs the product's test sequence	
	Manual Test	Pan	000–255	Allows manual control of all settings from the control panel
		Pan Fine		
		Tilt		
		Tilt Fine		
		P/T Speed		
		Dimmer		
		Dimmer Fine		
		Shutter		
		Color		
		Gobo2		
		Gobo		
		Gobo Rot		
Focus				
Focus Fine				
Zoom				
Zoom Fine				
Prism1				
Prism1 Rot				
Prism2				
Prism2 Rot				
Frost1				
Frost2				
P/T Macro				
P/T Ma.Speed				
Special Function				

Menu Map (Cont.)

Main Level	Programming Levels		Description	
Setup	Pan Reverse	YES	Reverse pan operation	
		NO	Normal pan operation	
	Tilt Reverse	YES	Reverse tilt operation	
		NO	Normal tilt operation	
	Screen Reverse	YES	Rotates control screen view 180°	
		NO	Normal control screen view	
	Pan Angle	540	Selects the 540° pan angle range	
		360	Selects the 360° pan angle range	
		180	Selects the 180° pan angle range	
	Tilt Angle	270	Selects the 270° tilt angle range	
		180	Selects the 180° tilt angle range	
		90	Selects the 90° tilt angle range	
	BL.O.P/T Move	YES	Defines the pan/tilt move-in-black delay	
		NO		
	BL.O.ColorMove	YES	Defines the color change move-in-black delay	
		NO		
	BL.O.GoboMove	YES	Defines the gobo change move-in-black delay	
		NO		
	Lamp Settings	On/Off	ON	Turns lamp on/off
			OFF	
State/Power on		ON	Defines the status of lamp when powering up product	
		OFF		
Off Via Dmx		YES	Turns off the unit via DMX controller	
		NO		
On If Dmx On		YES	Turns lamp on when DMX signal is detected	
		NO		
Off If Dmx Off		YES	Turns lamp off when DMX signal is lost	
		NO		
Ignition Delay		000–255	Selects duration of delay between product power on and lamp power on	
Low Power Delay		000–255	Selects the duration of delay when shutter is closed and lamp enters lower power state	
Reset Lamp Time	YES	Resets lamp timer to 0		
	NO	Leaves lamp time unchanged		

Menu Map (Cont.)

Main Level	Programming Levels		Description	
Setup (Cont.)	Maintenance Timer	Interval	10–250	Defines amount of hours between maintenance
		Remaining Time	NO	Shows amount of time remaining in maintenance cycle
			RESET	Resets the time back to the beginning
	Reset Function	Pan/Tilt	YES	Resets pan/tilt functions to the home position
			NO	
		Shutter/ Prism	YES	Resets all shutter/prism functions to the home position
			NO	
		Color	YES	Resets all color functions to the home position
			NO	
		Gobo	YES	Resets all gobo functions to the home position
			NO	
		Zoom/ Frost/ Focus	YES	Resets the zoom, frost, and focus functions to the home position
			NO	
	All	YES	Resets all functions to the home position	
		NO		
Factory Settings	YES		Reverts the product back to the original factory settings	
	NO			
Sys Info	Ver:		Displays the software version	
	Running Mode:		Displays the current running mode	
	Dmx Address:		Displays the current DMX address	
	Temperature:		Displays the product's temperature in Celsius	
	Lamp On Time:		Displays the amount of time the lamp has been on (provided the counter has been reset upon installation of new lamp)	
	Remain Time:		Shows amount of time remaining in maintenance cycle	

DMX Values

25CH	Channel	Function	Value	Percent/Setting
	1	Pan	000ó 255	0–100%
	2	Fine Pan	000ó 255	Fine control (16-bit)
	3	Tilt	000ó 255	0–100%
	4	Fine Tilt	000ó 255	Fine control (16-bit)
	5	Pan/Tilt Speed	000ó 255	0–100%
	6	Dimmer	000ó 255	0–100%
	7	Fine Dimmer	000ó 255	Fine control (16-bit)
	8	Shutter	000ó 007	Closed
			008ó 015	Open
			016ó 131	Slow to fast
			132ó 167	Fast close, slow open (slow to fast)
			168ó 203	Slow close, fast open (slow to fast)
			204ó 239	Pulse effect from slow to fast
			240ó 247	Random effect from slow to fast
			248ó 255	Open
	9	Color Wheel	000ó 003	Open
			004ó 007	Red
			008ó 011	Orange
			012ó 015	Cyan
			016ó 019	Light green
			020ó 023	Light yellow
			024ó 027	Green
			028ó 031	Magenta
			032ó 035	Dark Blue
			036ó 039	Dark yellow
			040ó 043	Blue
			044ó 047	CTO 5600 K
			048ó 051	CTO 6500 K
			052ó 059	UV
			060ó 187	Split colors
			188ó 219	Clockwise color scroll, fast to slow
	220ó 223	Stop		
	224ó 255	Counter-clockwise color scroll, slow to fast		

DMX Values (Cont.)

25CH (Cont.)	Channel	Function	Value	Percent/Setting
			000↺ 003	Open
			004↺ 006	Gobo 1
			007↺ 009	Gobo 2
			010↺ 012	Gobo 3
			013↺ 015	Gobo 4
			016↺ 018	Gobo 5
			019↺ 021	Gobo 6
			022↺ 024	Gobo 7
			025↺ 027	Gobo 8
			028↺ 030	Gobo 9
			031↺ 033	Gobo 10
			034↺ 036	Gobo 11
			037↺ 039	Gobo 12
			040↺ 042	Gobo 13
			043↺ 059	Open
	10	Gobo Wheel 1	060↺ 063	Gobo shake 1, slow to fast
			064↺ 067	Gobo shake 2, slow to fast
			068↺ 071	Gobo shake 3, slow to fast
			072↺ 075	Gobo shake 4, slow to fast
			076↺ 079	Gobo shake 5, slow to fast
			080↺ 083	Gobo shake 6, slow to fast
			084↺ 087	Gobo shake 7, slow to fast
			088↺ 091	Gobo shake 8, slow to fast
			092↺ 095	Gobo shake 9, slow to fast
			096↺ 099	Gobo shake 10, slow to fast
			100↺ 103	Gobo shake 11, slow to fast
			104↺ 107	Gobo shake 12, slow to fast
			108↺ 111	Gobo shake 13, slow to fast
			112↺ 127	Open
			128↺ 189	Clockwise gobo scroll, fast to slow
			190↺ 193	Stop
			194↺ 255	Counter-clockwise gobo scroll, slow to fast

DMX Values (Cont.)

25CH (Cont.)	Channel	Function	Value	Percent/Setting
			000	Open
			001 ∘ 005	Open (aperture sets to Spot mode)
			006 ∘ 011	Gobo 1
			012 ∘ 017	Gobo 2
			018 ∘ 023	Gobo 3
			024 ∘ 029	Gobo 4
			030 ∘ 035	Gobo 5
			036 ∘ 041	Gobo 6
			042 ∘ 047	Gobo 7
			048 ∘ 053	Gobo 8
			054 ∘ 063	Gobo 9
			064 ∘ 073	Gobo shake 1, slow to fast
			074 ∘ 079	Gobo shake 2, slow to fast
			080 ∘ 085	Gobo shake 3, slow to fast
			086 ∘ 091	Gobo shake 4, slow to fast
			092 ∘ 097	Gobo shake 5, slow to fast
			098 ∘ 103	Gobo shake 6, slow to fast
			104 ∘ 109	Gobo shake 7, slow to fast
			110 ∘ 115	Gobo shake 8, slow to fast
			116 ∘ 121	Gobo shake 9, slow to fast
			122 ∘ 127	Open
			128 ∘ 191	Clockwise gobo scroll, fast to slow
			192 ∘ 255	Counter-clockwise gobo scroll, slow to fast
			000 ∘ 063	Gobo index
			064 ∘ 147	Clockwise rotation, slow to fast
			148 ∘ 231	Counter-clockwise rotation, fast to slow
			232 ∘ 255	Clockwise rotation/counter-clockwise rotation
			000 ∘ 255	0–100%
			000 ∘ 255	Fine control (16-bit)
			000 ∘ 255	0–100%
			000 ∘ 255	Fine control (16-bit)
			000 ∘ 004	No function
			005 ∘ 255	Prism insert
			000 ∘ 127	Prism index
			128 ∘ 189	Clockwise rotation, fast to slow
			190 ∘ 193	Stop
			194 ∘ 255	Counter-clockwise rotation, slow to fast
			000 ∘ 004	No function
			005 ∘ 255	Prism insert
			000 ∘ 127	Prism index
			128 ∘ 189	Clockwise rotation, fast to slow
			190 ∘ 193	Stop
			194 ∘ 255	Counter-clockwise rotation, slow to fast
			000 ∘ 255	0–100%
			000 ∘ 255	0–100%

DMX Values (Cont.)

25CH (Cont.)	Channel	Function	Value	Percent/Setting
			000○ 007	No function
			008○ 015	Effect 1
			016○ 023	Effect 2
			024○ 031	Effect 3
			032○ 039	Effect 4
			040○ 047	Effect 5
			048○ 055	Effect 6
			056○ 063	Effect 7
			064○ 071	Effect 8
			072○ 079	Effect 9
			080○ 087	Effect 10
			088○ 095	Effect 11
			096○ 103	Effect 12
			104○ 111	Effect 13
			112○ 119	Effect 14
			120○ 127	Effect 15
	23	Movement Macros	128○ 135	Effect 16
			136○ 143	Effect 17
			144○ 151	Effect 18
			152○ 159	Effect 19
			160○ 167	Effect 20
			168○ 175	Effect 21
			176○ 183	Effect 22
			184○ 191	Effect 23
			192○ 199	Effect 24
			200○ 207	Effect 25
			208○ 215	Effect 26
			216○ 223	Effect 27
			224○ 231	Effect 28
			232○ 239	Effect 29
			240○ 247	Effect 30
			248○ 255	Effect 31

DMX Values (Cont.)

25CH (Cont.)	Channel	Function	Value	Percent/Setting
	24	Movement Macro Speed	000○ 255	0–100%
	25	Control	000○ 029	No function
			030○ 039	Dimmer conventional mode
			040○ 049	Dimmer linear mode
			050○ 059	Pan/Tilt fast mode
			060○ 069	Pan/Tilt normal mode
			070○ 079	Blackout during pan/tilt (3 sec hold)
			080○ 089	Disable pan/tilt blackout (3 sec hold)
			090○ 099	Blackout while color wheel moving (3 sec hold)
			100○ 109	Disable color wheel blackout (3 sec hold)
			110○ 119	Blackout while gobo wheels moving (3 sec hold)
			120○ 129	Disable gobo wheel blackout (3 sec hold)
			130○ 139	Lamp on
			140○ 149	Pan/Tilt reset
			150○ 159	Color wheel reset
			160○ 169	Gobo wheel reset
			170○ 179	Shutter/prism reset
			180○ 189	No function
			190○ 199	Frost/focus/zoom reset
			200○ 209	All reset
			210○ 219	Blackout all function during pan/tilt
			220○ 229	Disable blackout all functions during pan/tilt
			230○ 239	Lamp off
			240○ 247	Pan/Tilt movement ramp speed, increase on
			248○ 255	Pan/Tilt movement ramp speed, increase off

DMX Values (Cont.)

20CH	Channel	Function	Value	Percent/Setting
	1	Pan	000○255	0–100%
	2	Fine Pan	000○255	Fine control (16-bit)
	3	Tilt	000○255	0–100%
	4	Fine Tilt	000○255	Fine control (16-bit)
	5	Pan/Tilt Speed	000○255	0–100%
	6	Dimmer	000○255	0–100%
	7	Shutter	000○007 008○015 016○131 132○167 168○203 204○239 240○247 248○255	Closed Open Slow to fast Fast close, slow open (slow to fast) Slow close, fast open (slow to fast) Pulse effect from slow to fast Random effect from slow to fast Open
	8	Color Wheel	000○003 004○007 008○011 012○015 016○019 020○023 024○027 028○031 032○035 036○039 040○043 044○047 048○051 052○059 060○187 188○219 220○223 224○255	Open Red Orange Cyan Light green Light yellow Green Magenta Dark Blue Dark yellow Blue CTO 5600 K CTO 6500 K UV Split colors Clockwise color scroll, fast to slow Stop Counter-clockwise color scroll, slow to fast

DMX Values (Cont.)

20CH (Cont.)	Channel	Function	Value	Percent/Setting
			000 003	Open
			004 006	Gobo 1
			007 009	Gobo 2
			010 012	Gobo 3
			013 015	Gobo 4
			016 018	Gobo 5
			019 021	Gobo 6
			022 024	Gobo 7
			025 027	Gobo 8
			028 030	Gobo 9
			031 033	Gobo 10
			034 036	Gobo 11
			037 039	Gobo 12
			040 042	Gobo 13
			043 059	Open
	9	Gobo Wheel 1	060 063	Gobo shake 1, slow to fast
			064 067	Gobo shake 2, slow to fast
			068 071	Gobo shake 3, slow to fast
			072 075	Gobo shake 4, slow to fast
			076 079	Gobo shake 5, slow to fast
			080 083	Gobo shake 6, slow to fast
			084 087	Gobo shake 7, slow to fast
			088 091	Gobo shake 8, slow to fast
			092 095	Gobo shake 9, slow to fast
			096 099	Gobo shake 10, slow to fast
			100 103	Gobo shake 11, slow to fast
			104 107	Gobo shake 12, slow to fast
			108 111	Gobo shake 13, slow to fast
			112 127	Open
			128 189	Clockwise gobo scroll, fast to slow
			190 193	Stop
			194 255	Counter-clockwise gobo scroll, slow to fast

DMX Values (Cont.)

20CH (Cont.)	Channel	Function	Value	Percent/Setting
	10	Gobo Wheel 2	000	Open
			001 ∘ 005	Open (aperture sets to Spot mode)
			006 ∘ 011	Gobo 1
			012 ∘ 017	Gobo 2
			018 ∘ 023	Gobo 3
			024 ∘ 029	Gobo 4
			030 ∘ 035	Gobo 5
			036 ∘ 041	Gobo 6
			042 ∘ 047	Gobo 7
			048 ∘ 053	Gobo 8
			054 ∘ 063	Gobo 9
			064 ∘ 073	Gobo shake 1, slow to fast
			074 ∘ 079	Gobo shake 2, slow to fast
			080 ∘ 085	Gobo shake 3, slow to fast
			086 ∘ 091	Gobo shake 4, slow to fast
			092 ∘ 097	Gobo shake 5, slow to fast
			098 ∘ 103	Gobo shake 6, slow to fast
			104 ∘ 109	Gobo shake 7, slow to fast
			110 ∘ 115	Gobo shake 8, slow to fast
			116 ∘ 121	Gobo shake 9, slow to fast
122 ∘ 127	Open			
128 ∘ 191	Clockwise gobo scroll, fast to slow			
192 ∘ 255	Counter-clockwise gobo scroll, slow to fast			
11	Gobo Wheel 2 Rotate	000 ∘ 063	Gobo index	
		064 ∘ 147	Clockwise rotation, slow to fast	
		148 ∘ 231	Counter-clockwise rotation, fast to slow	
		232 ∘ 255	Clockwise rotation/counter-clockwise rotation	
12	Focus	000 ∘ 255	0–100%	
13	Zoom	000 ∘ 255	0–100%	
14	Prism 1	000 ∘ 004	No function	
		005 ∘ 255	Prism insert	
15	Prism 1 Rotate	000 ∘ 127	Prism index	
		128 ∘ 189	Clockwise rotation, fast to slow	
		190 ∘ 193	Stop	
		194 ∘ 255	Counter-clockwise rotation, slow to fast	
16	Prism 2	000 ∘ 004	No function	
		005 ∘ 255	Prism insert	
17	Prism 2 Rotate	000 ∘ 127	Prism index	
		128 ∘ 189	Clockwise rotation, fast to slow	
		190 ∘ 193	Stop	
		194 ∘ 255	Counter-clockwise rotation, slow to fast	
18	Frost	000 ∘ 255	0–100%	
19	Beam Defraction	000 ∘ 255	0–100%	

DMX Values (Cont.)

20CH (Cont.)	Channel	Function	Value	Percent/Setting
			000 ∘ 029	No function
			030 ∘ 039	Dimmer conventional mode
			040 ∘ 049	Dimmer linear mode
			050 ∘ 059	Pan/Tilt fast mode
			060 ∘ 069	Pan/Tilt normal mode
			070 ∘ 079	Blackout during pan/tilt (3 sec hold)
			080 ∘ 089	Disable pan/tilt blackout (3 sec hold)
			090 ∘ 099	Blackout while color wheel moving (3 sec hold)
			100 ∘ 109	Disable color wheel blackout (3 sec hold)
			110 ∘ 119	Blackout while gobo wheels moving (3 sec hold)
			120 ∘ 129	Disable gobo wheel blackout (3 sec hold)
	20	Control	130 ∘ 139	Lamp on
			140 ∘ 149	Pan/Tilt reset
			150 ∘ 159	Color wheel reset
			160 ∘ 169	Gobo wheel reset
			170 ∘ 179	Shutter/prizm reset
			180 ∘ 189	No function
			190 ∘ 199	Frost/focus/zoom reset
			200 ∘ 209	All reset
			210 ∘ 219	Blackout all function during pan/tilt
			220 ∘ 229	Disable blackout all functions during pan/tilt
			230 ∘ 239	Lamp off
			240 ∘ 247	Pan/Tilt movement ramp speed, increase on
			248 ∘ 255	Pan/Tilt movement ramp speed, increase off

Acerca de esta Guía La Guía de Referencia Rápida (GRR) del Rogue™ RH1 Hybrid contiene información básica sobre el producto, como conexión, montaje, opciones de menú y valores DMX. Descargue el Manual de Usuario de www.chauvetprofessional.com para información más detallada.

Exención de Responsabilidad La información y especificaciones contenidas en esta GRR están sujetas a cambio sin previo aviso.

- Notas de Seguridad**
- NO abra este producto. No contiene piezas reparables por el usuario.
 - NO mire a la fuente de luz cuando el producto esté encendido.
 - Para evitar un desgaste innecesario y alargar su vida útil, desconecte completamente el producto de la alimentación, mediante el interruptor o desenchufándolo, durante los periodos en los que no se use.
 - CUIDADO: cuando transfiera el producto desde ambientes con temperatura extrema (p. ej., del remolque frío de un camión a una sala de baile con calor y humedad), puede formarse condensación en la electrónica interna del producto. Para evitar que se produzca una avería, deje que el producto se aclimate completamente al ambiente antes de conectar la alimentación.
 - CUIDADO: La carcasa de este producto puede estar caliente cuando las luces están en funcionamiento.
 - Monte este producto en una ubicación con ventilación adecuada, al menos a 20" (50 cm) de superficies adyacentes.
 - NO deje ningún material inflamable a menos de 50 cm de este producto mientras esté funcionando o conectado a la alimentación.
 - USE un cable de seguridad cuando monte este producto en lo alto.
 - NO ponga en funcionamiento este producto en el exterior o en cualquier ubicación en la que el polvo, calor excesivo, agua o humedad puedan afectarlo. (IP20)
 - NO ponga en funcionamiento este producto si sospecha que la carcasa, lentes o cables están dañados.
 - NO conecte este producto a un atenuador o reostato.
 - Conecte este producto SOLO a un circuito con toma de tierra y protegido.
 - Use SOLAMENTE los soportes de montaje o las asas para mover este producto. NO lo transporte agarrando por la cabeza móvil.
 - En caso de un problema grave de funcionamiento, deje de usarlo inmediatamente.
 - La temperatura ambiente máxima es de 113 °F (45 °C). No haga funcionar este producto a temperaturas más altas.

- Contacto**
- Fuera de EE.UU., Reino Unido, Irlanda, México o Benelux, póngase en contacto con su distribuidor para solicitar asistencia o devolver el producto.
 - Desde dentro de EE.UU., Reino Unido, Irlanda, México o Benelux, utilice la información de [Contact Us](#) del final de esta GRR.

- Qué va Incluido**
- Rogue™ RH1 Hybrid
 - Cable de alimentación
 - Neutrik® powerCON®
 - Tarjeta de garantía
 - 2 soportes Omega con material de montaje
 - Guía de Referencia Rápida

Corriente alterna Este producto tiene una fuente de alimentación con detección automática que puede funcionar con un rango de tensión de entrada de 100–240 VCA, 50/60 Hz.



Para evitar un desgaste innecesario y alargar su vida útil, desconecte completamente el producto de la alimentación, mediante el interruptor o desenchufándolo, durante los periodos en los que no se use.

Enchufe CA

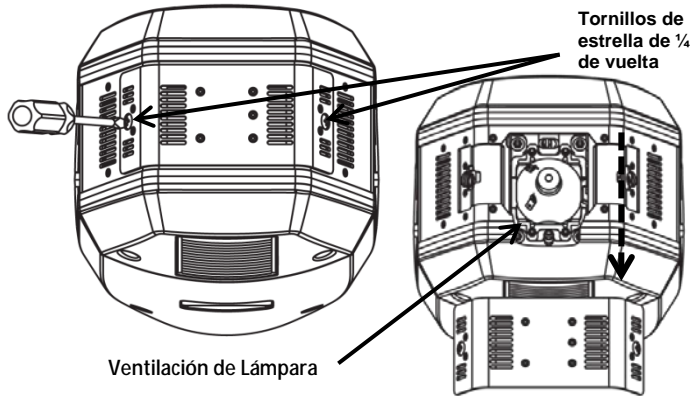
Conexión	Cable (EE.UU.)	Cable (Europa)	Color del tornillo
CA Cargado	Negro	Marrón	Amarillo/Latón
CA Neutro	Blanco	Azul	Plata
CA Tierra	Verde/Amarillo	Verde/Amarillo	Verde

- Sustitución del Fusible**
1. Desconecte este producto de la alimentación.
 2. Utilizando un destornillador plano, desatornille la tapa del portafusibles de la carcasa.
 3. Quite el fusible fundido del portafusibles y sustitúyalo con uno nuevo del mismo tipo y categoría.
 4. Vuelva a atornillar la tapa del portafusibles en su sitio y conecte de nuevo la alimentación.

- Sustitución de la Lámpara**
1. Apague el dispositivo y desconéctelo de la toma de alimentación.
 2. Espere al menos 15 minutos a que la lámpara se enfríe
 3. Afloje 2 tornillos de estrella de ¼ de vuelta en la parte posterior de la cabeza.
 4. Tomar nota en cuanto a la orientación de la lámpara. Orificios de ventilación en la parte frontal de la lámpara debe alinear horizontalmente con las salidas de aire en el bastidor de la lámpara. Oriente el producto de forma que los cables de alimentación de la lámpara vengan desde la esquina inferior derecha según se mira desde la parte trasera de la cabeza.
 5. Usando la base de la lámpara, empuje la lámpara hacia abajo contra los clips de muelle situados en la parte inferior; luego saque rodando la lámpara.
 6. Tire de los dos cables conectados a la lámpara mediante los conectores de horquilla.
 7. Repita a la inversa los pasos anteriores para instalar la lámpara nueva.



Consulte por favor el Manual de Usuario para instrucciones más detalladas con imágenes.

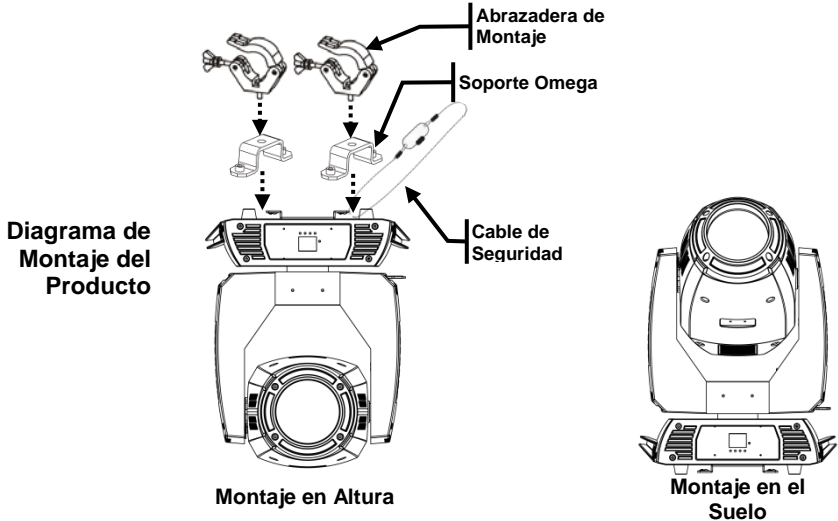


RIESGO DE EXPLOSIÓN LÁMPARA! Orificios de ventilación en la parte frontal de la lámpara debe alinear horizontalmente con las salidas de aire en el bastidor de la lámpara. Esto es extremadamente importante para la refrigeración de la lámpara.

Enlace DMX El Rogue™ RH1 Hybrid funcionará con un controlador DMX usando una conexión de datos DMX de 3 o 5 pines. Hay un Manual DMX disponible en www.chauvetprofessional.com.

Conexión DMX El Rogue™ RH1 Hybrid usa una conexión de datos DMX de 3 o 5 pines para sus personalidades DMX: **20CH** y **25CH**. Consulte el Manual de Usuario para más información sobre cómo conectar y configurar el producto para el funcionamiento DMX.

Montaje Antes de montar este producto, lea las [Notas de Seguridad](#). Utilice al menos dos puntos de montaje por producto. Asegúrese de que las abrazaderas de montaje son capaces de soportar el peso del producto. Para nuestra línea CHAUVET® de abrazaderas de montaje, visite trusst.com/productcategory/base-plates-accessories-clamps/.



Descripción del Panel de Control

Botón	Función
<MENU>	Salir del menú o función actual
<ENTER>	Habilita el menú actualmente en pantalla o configura el valor seleccionado actualmente dentro de la función seleccionada
<UP>	Navega hacia arriba por la lista de menú o aumenta el valor numérico cuando está en una función
<DOWN>	Navega hacia abajo por la lista de menú o disminuye el valor numérico cuando está en una función

Mapa de Menú

Nivel Principal	Niveles de Programación		Descripción	
Address	001–512		Configura la dirección inicial DMX	
Run Mode	DMX	20CH	Selecciona la personalidad DMX	
		25CH		
	Auto Test		Inicia la secuencia de prueba del dispositivo	
	Manual Test	Pan	000–255	Permite control manual de toda la configuración desde el panel de control
		Pan Fine		
		Tilt		
		Tilt Fine		
		P/T Speed		
		Dimmer		
		Dimmer Fine		
		Shutter		
		Color		
		Gobo2		
		Gobo		
		Gobo Rot		
		Focus		
		Focus Fine		
		Zoom		
		Zoom Fine		
		Prism1		
Prism1 Rot				
Prism2				
Prism2 Rot				
Frost1				
Frost2				
P/T Macro				
P/T Ma.Speed				
Special Function				

Mapa de Menú (Cont.)

Nivel Principal	Niveles de Programación		Descripción	
Setup	Pan Reverse	YES	Invierte el funcionamiento del desplazamiento lateral	
		NO	Funcionamiento de desplazamiento lateral normal	
	Tilt Reverse	YES	Invierte el funcionamiento de la inclinación	
		NO	Funcionamiento inclinación normal	
	Screen Reverse	YES	Gira la pantalla de control 180°	
		NO	Vista normal de la pantalla de control	
	Pan Angle	540	Selecciona el rango de desplazamiento lateral de 540°	
		360	Selecciona el rango de desplazamiento lateral de 360°	
		180	Selecciona el rango de desplazamiento lateral de 180°	
	Tilt Angle	270	Selecciona el rango de inclinación de 270°	
		180	Selecciona el rango de inclinación de 180°	
		90	Selecciona el rango de inclinación de 90°	
	BL.O.P/T Move	YES	Define el retardo de move-in-black para el desplazamiento lateral/inclinación	
		NO		
	BL.O.ColorMove	YES	Define el retardo de move-in-black para el cambio de color	
		NO		
	BL.O.GoboMove	YES	Define el retardo de move-in-black para el cambio de gobo	
		NO		
	Lamp Settings	On/Off	ON	Apaga/Enciende la lámpara
			OFF	
State/Power on		ON	Define el estado de la lámpara cuando se da alimentación al producto	
		OFF		
Off Via Dmx		YES	Apaga la unidad a través del controlador DMX	
		NO		
On If Dmx On		YES	Enciende la lámpara cuando detecta la señal DMX	
		NO		
Off If Dmx Off		YES	Apaga la lámpara cuando pierde la señal DMX	
		NO		

Mapa de Menú (Cont.)

Nivel Principal	Niveles de Programación		Descripción	
Setup (Cont.)	Lamp Settings (Cont.)	Ignition Delay	000–255	Selecciona la duración del retardo entre el encendido del producto y el encendido de la lámpara
		Low Power Delay	000–255	Selecciona la duración del retardo cuando el obturador se cierra y la lámpara entra en estado de bajo consumo
		Reset Lamp Time	YES	Reinicia la cuenta de tiempo de la lámpara a 0
	NO		Deja sin cambiar el tiempo de la lámpara	
	Maintenance Timer	Interval	10–250	Define la cantidad de horas entre operaciones de mantenimiento
		Remaining Time	NO	Muestra en pantalla el tiempo restante del ciclo de mantenimiento
			RESET	Reinicia el tiempo al principio
	Reset Function	Pan/Tilt	YES	Reinicia las funciones de desplazamiento lateral/inclinación a la posición de inicio
			NO	
		Shutter/Prism	YES	Reinicia las funciones de prisma y obturación a la posición de inicio
			NO	
		Color	YES	Reinicia todas las funciones de color a la posición de inicio
			NO	
		Gobo	YES	Reinicia todas las funciones de gobo a la posición de inicio
			NO	
		Zoom/Frost/Focus	YES	Reinicia las funciones de zoom, helada y foco a la posición de inicio
			NO	
All	YES	Reinicia todas las funciones a la posición de inicio		
	NO			
Factory Settings	YES	Devuelve el producto a su configuración de fábrica original		
	NO			
Sys Info	Ver:		Muestra en pantalla la versión de software	
	Running Mode:		Muestra el modo de ejecución actual	
	Dmx Address:		Muestra la dirección DMX actual	
	Temperature:		Muestra la temperatura del producto en Celsius	
	Lamp On Time:		Muestra la cantidad de tiempo que ha estado encendida la lámpara (siempre que el contador se haya reiniciado tras la instalación de una lámpara nueva)	
	Remain Time:		Muestra en pantalla el tiempo restante del ciclo de mantenimiento	

Valores DMX

25CH	Canal	Función	Valor	Porcentaje/Configuración
	1	Desplazamiento Lateral	000 ó 255	0–100%
	2	Desplazamiento Lateral Fino	000 ó 255	Nítido control (16-bit)
	3	Inclinación	000 ó 255	0–100%
	4	Inclinación Fina	000 ó 255	Nítido control (16-bit)
	5	Velocidad Desplazamiento Lateral/Inclinación	000 ó 255	0–100%
	6	Atenuador	000 ó 255	0–100%
	7	Atenuador Fino	000 ó 255	Nítido control (16-bit)
	8	Obturador (Shutter)	000 ó 007 008 ó 015 016 ó 131 132 ó 167 168 ó 203 204 ó 239 240 ó 247 248 ó 255	Cerrado Abierto Lento a rápido Cerrar rápido, abrir lento (lento a rápido) Cerrar lento, abrir rápido (lento a rápido) Efecto pulso de lento a rápido Efecto aleatorio de lento a rápido Abierto
	9	Rueda de Color	000 ó 003 004 ó 007 008 ó 011 012 ó 015 016 ó 019 020 ó 023 024 ó 027 028 ó 031 032 ó 035 036 ó 039 040 ó 043 044 ó 047 048 ó 051 052 ó 059 060 ó 187 188 ó 219 220 ó 223 224 ó 255	Abierto Rojo Naranja Cyan Verde claro Amarillo claro Verde Magenta Azul oscuro Amarillo oscuro Azul CTO 5600 K CTO 6500 K UV Colores divididos Desplazamiento de color dextrógiro, rápido a lento Parada Desplazamiento de color levógiro, lento a rápido

Valores DMX (Cont.)

25CH (Cont.)	Canal	Función	Valor	Porcentaje/Configuración
			000ó 003	Abierto
			004ó 006	Gobo 1
			007ó 009	Gobo 2
			010ó 012	Gobo 3
			013ó 015	Gobo 4
			016ó 018	Gobo 5
			019ó 021	Gobo 6
			022ó 024	Gobo 7
			025ó 027	Gobo 8
			028ó 030	Gobo 9
			031ó 033	Gobo 10
			034ó 036	Gobo 11
			037ó 039	Gobo 12
			040ó 042	Gobo 13
			043ó 059	Abierto
			060ó 063	Vibración de gobo 1, lento a rápido
			064ó 067	Vibración de gobo 2, lento a rápido
			068ó 071	Vibración de gobo 3, lento a rápido
			072ó 075	Vibración de gobo 4, lento a rápido
			076ó 079	Vibración de gobo 5, lento a rápido
			080ó 083	Vibración de gobo 6, lento a rápido
			084ó 087	Vibración de gobo 7, lento a rápido
			088ó 091	Vibración de gobo 8, lento a rápido
			092ó 095	Vibración de gobo 9, lento a rápido
			096ó 099	Vibración de gobo 10, lento a rápido
			100ó 103	Vibración de gobo 11, lento a rápido
			104ó 107	Vibración de gobo 12, lento a rápido
			108ó 111	Vibración de gobo 13, lento a rápido
			112ó 127	Abierto
			128ó 189	Desplazamiento de gobo dextrógiro, rápido a lento
			190ó 193	Parada
			194ó 255	Desplazamiento de gobo levógiro, lento a rápido

Valores DMX (Cont.)

25CH (Cont.)	Canal	Función	Valor	Porcentaje/Configuración
11	Rueda de Gobo 2	000	Abierto	
		001 ó 005	Abierto (apertura se establece a modo Spot)	
		006 ó 011	Gobo 1	
		012 ó 017	Gobo 2	
		018 ó 023	Gobo 3	
		024 ó 029	Gobo 4	
		030 ó 035	Gobo 5	
		036 ó 041	Gobo 6	
		042 ó 047	Gobo 7	
		048 ó 053	Gobo 8	
		054 ó 063	Gobo 9	
		064 ó 073	Vibración de gobo 1, lento a rápido	
		074 ó 079	Vibración de gobo 2, lento a rápido	
		080 ó 085	Vibración de gobo 3, lento a rápido	
		086 ó 091	Vibración de gobo 4, lento a rápido	
		092 ó 097	Vibración de gobo 5, lento a rápido	
		098 ó 103	Vibración de gobo 6, lento a rápido	
		104 ó 109	Vibración de gobo 7, lento a rápido	
		110 ó 115	Vibración de gobo 8, lento a rápido	
		116 ó 121	Vibración de gobo 9, lento a rápido	
122 ó 127	Abierto			
128 ó 191	Desplazamiento de gobo dextrógiro, rápido a lento			
192 ó 255	Desplazamiento de gobo levógiro, lento a rápido			
12	Girar Rueda de Gobo 2	000 ó 063	Índice de gobo	
		064 ó 147	Rotación en sentido horario, lento a rápido	
		148 ó 231	Giro en sentido antihorario, rápido a lento	
		232 ó 255	Giro en sentido horario/giro en sentido antihorario	
13	Foco	000 ó 255	0–100%	
14	Foco Fino	000 ó 255	Nítido control (16-bit)	
15	Zoom	000 ó 255	0–100%	
16	Zoom Fino	000 ó 255	Nítido control (16-bit)	
17	Prisma 1	000 ó 004	Sin función	
		005 ó 255	Insertar prisma	
18	Girar Prisma 1	000 ó 127	Indexado prisma	
		128 ó 189	Giro levógiro, rápido a lento	
		190 ó 193	Parada	
		194 ó 255	Giro dextrógiro, lento a rápido	
19	Prisma 2	000 ó 004	Sin función	
		005 ó 255	Insertar prisma	
20	Girar Prisma 2	000 ó 127	Indexado prisma	
		128 ó 189	Giro levógiro, rápido a lento	
		190 ó 193	Parada	
		194 ó 255	Giro dextrógiro, lento a rápido	
21	Difusor	000 ó 255	0–100%	
22	Difracción del haz	000 ó 255	0–100%	

Valores DMX (Cont.)

25CH (Cont.)	Canal	Función	Valor	Porcentaje/Configuración
			000ó 007	Sin función
			008ó 015	Efecto 1
			016ó 023	Efecto 2
			024ó 031	Efecto 3
			032ó 039	Efecto 4
			040ó 047	Efecto 5
			048ó 055	Efecto 6
			056ó 063	Efecto 7
			064ó 071	Efecto 8
			072ó 079	Efecto 9
			080ó 087	Efecto 10
			088ó 095	Efecto 11
			096ó 103	Efecto 12
			104ó 111	Efecto 13
			112ó 119	Efecto 14
			120ó 127	Efecto 15
			128ó 135	Efecto 16
			136ó 143	Efecto 17
			144ó 151	Efecto 18
			152ó 159	Efecto 19
			160ó 167	Efecto 20
			168ó 175	Efecto 21
			176ó 183	Efecto 22
			184ó 191	Efecto 23
			192ó 199	Efecto 24
			200ó 207	Efecto 25
			208ó 215	Efecto 26
			216ó 223	Efecto 27
			224ó 231	Efecto 28
			232ó 239	Efecto 29
			240ó 247	Efecto 30
			248ó 255	Efecto 31
	23	Macros de Movimiento		

Valores DMX (Cont.)

25CH (Cont.)	Canal	Función	Valor	Porcentaje/Configuración
	24	Velocidad de Macro de Movimiento	000 ó 255	0–100%
	25	Control	000 ó 029	Sin función
			030 ó 039	Modo atenuador convencional
			040 ó 049	Modo atenuador lineal
			050 ó 059	Modo rápido desplazamiento lateral/inclinación
			060 ó 069	Modo normal desplazamiento lateral/inclinación
			070 ó 079	Blackout durante desplazamiento lateral/inclinación (mantener 3 s)
			080 ó 089	Deshabilitar blackout de desplazamiento lateral/inclinación (mantener 3 s)
			090 ó 099	Blackout mientras se mueve la rueda de color (mantener 3 s)
			100 ó 109	Deshabilitar blackout de rueda de color (mantener 3 s)
			110 ó 119	Blackout mientras se mueve la rueda de gobo (mantener 3 s)
			120 ó 129	Deshabilitar blackout de rueda de gobo (mantener 3 s)
			130 ó 139	Lámpara encendida
			140 ó 149	Reiniciar desplazamiento lateral/inclinación
			150 ó 159	Reiniciar rueda de color
			160 ó 169	Reiniciar rueda de gobo
			170 ó 179	Reiniciar obturador/prisma
			180 ó 189	Sin función
			190 ó 199	Reiniciar difusor/foco/zoom
			200 ó 209	Reiniciar todo
			210 ó 219	Blackout de todas las funciones durante desplazamiento lateral/inclinación
			220 ó 229	Deshabilitar blackout de todas las funciones durante desplazamiento lateral/inclinación
			230 ó 239	Lámpara apagada
			240 ó 247	Velocidad progresiva de desplazamiento lateral/inclinación, aumento encendido
			248 ó 255	Velocidad progresiva de desplazamiento lateral/inclinación, aumento apagado

Valores DMX (Cont.)

20CH	Canal	Función	Valor	Porcentaje/Configuración
	1	Desplazamiento Lateral	000 ó 255	0–100%
	2	Desplazamiento Lateral Fino	000 ó 255	Nítido control (16-bit)
	3	Inclinación	000 ó 255	0–100%
	4	Inclinación Fina	000 ó 255	Nítido control (16-bit)
	5	Velocidad Desplazamiento Lateral/Inclinación	000 ó 255	0–100%
	6	Atenuador	000 ó 255	0–100%
	7	Obturador (Shutter)	000 ó 007 008 ó 015 016 ó 131 132 ó 167 168 ó 203 204 ó 239 240 ó 247 248 ó 255	Cerrado Abierto Lento a rápido Cerrar rápido, abrir lento (lento a rápido) Cerrar lento, abrir rápido (lento a rápido) Efecto pulso de lento a rápido Efecto aleatorio de lento a rápido Abierto
	8	Rueda de Color	000 ó 003 004 ó 007 008 ó 011 012 ó 015 016 ó 019 020 ó 023 024 ó 027 028 ó 031 032 ó 035 036 ó 039 040 ó 043 044 ó 047 048 ó 051 052 ó 059 060 ó 187 188 ó 219 220 ó 223 224 ó 255	Abierto Rojo Naranja Cyan Verde claro Amarillo claro Verde Magenta Azul oscuro Amarillo oscuro Azul CTO 5600 K CTO 6500 K UV Colores divididos Desplazamiento de color dextrógiro, rápido a lento Parada Desplazamiento de color levógiro, lento a rápido

Valores DMX (Cont.)

20CH (Cont.)	Canal	Función	Valor	Porcentaje/Configuración
			000ó 003	Abierto
			004ó 006	Gobo 1
			007ó 009	Gobo 2
			010ó 012	Gobo 3
			013ó 015	Gobo 4
			016ó 018	Gobo 5
			019ó 021	Gobo 6
			022ó 024	Gobo 7
			025ó 027	Gobo 8
			028ó 030	Gobo 9
			031ó 033	Gobo 10
			034ó 036	Gobo 11
			037ó 039	Gobo 12
			040ó 042	Gobo 13
			043ó 059	Abierto
			060ó 063	Vibración de gobo 1, lento a rápido
	9	Rueda de Gobo 1	064ó 067	Vibración de gobo 2, lento a rápido
			068ó 071	Vibración de gobo 3, lento a rápido
			072ó 075	Vibración de gobo 4, lento a rápido
			076ó 079	Vibración de gobo 5, lento a rápido
			080ó 083	Vibración de gobo 6, lento a rápido
			084ó 087	Vibración de gobo 7, lento a rápido
			088ó 091	Vibración de gobo 8, lento a rápido
			092ó 095	Vibración de gobo 9, lento a rápido
			096ó 099	Vibración de gobo 10, lento a rápido
			100ó 103	Vibración de gobo 11, lento a rápido
			104ó 107	Vibración de gobo 12, lento a rápido
			108ó 111	Vibración de gobo 13, lento a rápido
			112ó 127	Abierto
			128ó 189	Desplazamiento de gobo dextrógiro, rápido a lento
			190ó 193	Parada
			194ó 255	Desplazamiento de gobo levógiro, lento a rápido

Valores DMX (Cont.)

20CH (Cont.)	Canal	Función	Valor	Porcentaje/Configuración
10	Rueda de Gobo 2	000	Abierto	
		001 ó 005	Abierto (apertura se establece a modo Spot)	
		006 ó 011	Gobo 1	
		012 ó 017	Gobo 2	
		018 ó 023	Gobo 3	
		024 ó 029	Gobo 4	
		030 ó 035	Gobo 5	
		036 ó 041	Gobo 6	
		042 ó 047	Gobo 7	
		048 ó 053	Gobo 8	
		054 ó 063	Gobo 9	
		064 ó 073	Vibración de gobo 1, lento a rápido	
		074 ó 079	Vibración de gobo 2, lento a rápido	
		080 ó 085	Vibración de gobo 3, lento a rápido	
		086 ó 091	Vibración de gobo 4, lento a rápido	
		092 ó 097	Vibración de gobo 5, lento a rápido	
		098 ó 103	Vibración de gobo 6, lento a rápido	
		104 ó 109	Vibración de gobo 7, lento a rápido	
		110 ó 115	Vibración de gobo 8, lento a rápido	
		116 ó 121	Vibración de gobo 9, lento a rápido	
122 ó 127	Abierto			
128 ó 191	Desplazamiento de gobo dextrógiro, rápido a lento			
192 ó 255	Desplazamiento de gobo levógiro, lento a rápido			
11	Girar Rueda de Gobo 2	000 ó 063	Índice de gobo	
		064 ó 147	Rotación en sentido horario, lento a rápido	
		148 ó 231	Giro en sentido antihorario, rápido a lento	
		232 ó 255	Giro en sentido horario/giro en sentido antihorario	
12	Foco	000 ó 255	0–100%	
13	Zoom	000 ó 255	0–100%	
14	Prisma 1	000 ó 004	Sin función	
		005 ó 255	Insertar prisma	
15	Girar Prisma 1	000 ó 127	Indexado prisma	
		128 ó 189	Giro levógiro, rápido a lento	
		190 ó 193	Parada	
		194 ó 255	Giro dextrógiro, lento a rápido	
16	Prisma 2	000 ó 004	Sin función	
		005 ó 255	Insertar prisma	
17	Girar Prisma 2	000 ó 127	Indexado prisma	
		128 ó 189	Giro levógiro, rápido a lento	
		190 ó 193	Parada	
		194 ó 255	Giro dextrógiro, lento a rápido	
18	Difusor	000 ó 255	0–100%	
19	Beam Defraction	000 ó 255	0–100%	

Valores DMX (Cont.)

20CH (Cont.)	Canal	Función	Valor	Porcentaje/Configuración
			000 ó 029	Sin función
			030 ó 039	Modo atenuador convencional
			040 ó 049	Modo atenuador lineal
			050 ó 059	Modo rápido desplazamiento lateral/inclinación
			060 ó 069	Modo normal desplazamiento lateral/inclinación
			070 ó 079	Blackout durante desplazamiento lateral/inclinación (mantener 3 s)
			080 ó 089	Deshabilitar blackout de desplazamiento lateral/inclinación (mantener 3 s)
			090 ó 099	Blackout mientras se mueve la rueda de color (mantener 3 s)
			100 ó 109	Deshabilitar blackout de rueda de color (mantener 3 s)
			110 ó 119	Blackout mientras se mueve la rueda de gobo (mantener 3 s)
			120 ó 129	Deshabilitar blackout de rueda de gobo (mantener 3 s)
	20	Control	130 ó 139	Lámpara encendida
			140 ó 149	Reiniciar desplazamiento lateral/inclinación
			150 ó 159	Reiniciar rueda de color
			160 ó 169	Reiniciar rueda de gobo
			170 ó 179	Reiniciar obturador/prisma
			180 ó 189	Sin función
			190 ó 199	Reiniciar difusor/foco/zoom
			200 ó 209	Reiniciar todo
			210 ó 219	Blackout de todas las funciones durante desplazamiento lateral/inclinación
			220 ó 229	Deshabilitar blackout de todas las funciones durante desplazamiento lateral/inclinación
			230 ó 239	Lámpara apagada
			240 ó 247	Velocidad progresiva de desplazamiento lateral/inclinación, aumento encendido
			248 ó 255	Velocidad progresiva de desplazamiento lateral/inclinación, aumento apagado

À Propos de ce Manuel

Le manuel de référence (MR) du Rogue™ RH1 Hybrid reprend des informations de base sur ce produit notamment en matière de connexions, montage, options de menu et valeurs DMX. Téléchargez le Manuel d'Utilisation sur www.chauvetprofessional.com for pour de plus amples informations.

Clause de Non-Responsabilité

Les informations et caractéristiques contenues dans ce manuel sont sujettes à changement sans préavis.

Consignes de Sécurité

- N'ouvrez PAS cet appareil. Il ne contient aucun composant susceptible d'être réparé par l'utilisateur.
- Ne regardez PAS la source lumineuse lorsque le produit fonctionne.
- Durant les périodes de non-utilisation, pour éviter tout usure inutile et pour prolonger la durée de vie, déconnectez-entièrement l'appareil en le débranchant de l'alimentation électrique ou en coupant le disjoncteur.
- ATTENTION: Lorsque l'appareil est transféré d'un environnement à température extrême à un autre (par exemple d'un camion froid vers une salle de bal chaude et humide), de la condensation peut se former sur les composants électriques internes. Pour éviter de causer des dommages, laissez l'appareil s'acclimater entièrement au milieu environnant avant de le mettre sous tension.
- ATTENTION : le boîtier de ce produit peut s'avérer brûlant lors du fonctionnement.
- Montez toujours ce produit dans un endroit bien ventilé, à au moins 50 cm (20 pouces) des surfaces adjacentes.
- Ne laissez AUCUNE source inflammable dans un rayon de 50 cm du produit lorsque celui-ci fonctionne.
- Utilisez TOUJOURS un câble de sécurité lorsque vous montez ce produit en hauteur.
- N'utilisez PAS cet appareil en extérieur ou tout autre endroit où de la poussière, une chaleur excessive, de l'eau ou de l'humidité pourrait en affecter le fonctionnement. (IP20)
- N'utilisez PAS cet appareil si le boîtier, les lentilles ou les câbles vous semblent endommagés.
- Ne connectez ce produit NI à un gradateur NI à un rhéostat.
- Connectez UNIQUEMENT cet appareil à un circuit protégé et relié à la terre.
- N'utilisez QUE les lyres de suspension ou les poignées pour transporter cet appareil. Ne transportez jamais cet appareil par sa lyre asservie.
- En cas de sérieux problèmes de fonctionnement, arrêtez le système immédiatement.
- La température ambiante maximale doit être de 113° F (45° C). Ne le faites pas fonctionner à des températures plus élevées.

Contact

- En dehors des États-Unis, du Royaume-Uni, de l'Irlande, du Mexique, et du Benelux contactez votre distributeur si vous avez besoin d'assistance ou de renvoyer votre produit.
- Aux États-Unis, au Royaume-Uni, en Irlande, au Mexique, et du Benelux consultez la rubrique [Contact Us](#) en fin de MR pour plus d'informations.

- Ce Qui est Compris**
- Un Rogue™ RH1 Hybrid
 - Un cordon d'alimentation powerCON® de Neutrik®
 - Une fiche de garantie
 - 2 fixations Omega sans matériel de montage
 - Un manuel de référence

Alimentation CA Cet appareil est doté d'une alimentation universelle prenant en charge toute tension d'entrée comprise entre 100 et 240 VCA, 50/60 Hz.



Durant les périodes de non-utilisation, pour éviter tout usure inutile et pour prolonger la durée de vie, déconnectez-entièrement l'appareil en le débranchant de l'alimentation électrique ou en coupant le disjoncteur.

Prise CA

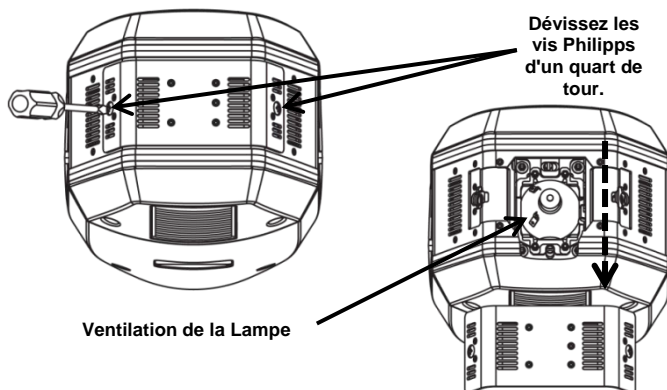
Connexion	Câble (États-Unis)	Câble (Europe)	Couleur de la vis
Conducteur CA	Noir	Marron	Jaune/Cuivré
Neutre CA	Blanc	Bleu	Argenté
Terre CA	Vert/Jaune	Vert/Jaune	Vert

- Remplacement du Fusible**
1. Débranchez l'appareil de l'alimentation.
 2. À l'aide d'un tournevis à tête plate, dévissez le couvercle du porte-fusible du boîtier.
 3. Retirez le fusil obsolète et remplacez-le par un fusible en bon état de même type et ampérage.
 4. Revissez le couvercle du porte-fusible et rebranchez l'unité.

- Remplacement de la Lampe**
1. Éteignez le projecteur et débranchez-le.
 2. Attendez au moins 15 minutes que la lampe refroidisse.
 3. Desserrez les deux vis à tête cruciforme d'un quart de tour à l'arrière du panneau de la tête.
 4. Notez que l'orientation de la lampe. Trous d'aération sur le devant de la lampe devrait aligner horizontalement avec les prises d'air sur le cadre de la lampe. Orientez l'appareil afin que les câbles d'alimentation de la lampe sortent du coin inférieur droit lorsque vous regardez l'arrière de la tête.
 5. En utilisant la base de la lampe, poussez la lampe vers le bas contre les clips ressorts situés sur le fond, puis tournez la lampe pour la sortir par le haut.
 6. Tirez les deux fils connectés à la lampe par des cosses plates.
 7. Effectuez les étapes ci-dessus dans le sens inverse pour installer la nouvelle lampe.



Veillez consulter le Manuel d'Utilisation pour de plus amples instructions accompagnées d'images.



RISQUE D'EXPLOSION LAMP! Trous d'aération sur le devant de la lampe devrait aligner horizontalement avec les prises d'air sur le cadre de la lampe. Cela est extrêmement important pour le refroidissement de la lampe.

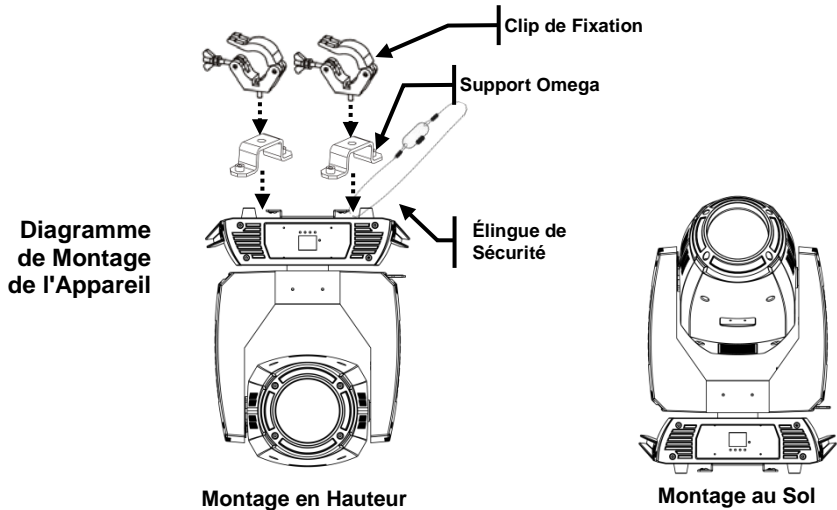
Raccordement DMX

Le Rogue™ RH1 Hybrid fonctionnera conjointement avec un jeu d'orgues DMX doté d'une connexion de donnée DMX à 3 ou 5 broches. Une introduction au DMX est à votre disposition sur www.chauvetprofessional.com.

Connexion DMX

Le Rogue™ RH1 Hybrid utilise une connexion de donnée DMX à 3 ou 5 broches pour ses personnalités DMX : **20CH** et **25CH**. Vous trouverez les instructions de connexion et configuration de cet appareil pour un bon fonctionnement en DMX dans le manuel d'utilisation.

Installation Avant de monter cet appareil, lisez et assimilez les [consignes de sécurité](#). Utilisez au moins deux points de montage pour cet appareil. Veillez à ce que les fixations sont capables de supporter le poids de l'unité. Découvrez notre gamme de fixations CHAUVET® sur trusst.com/productcategory/base-plates-accessories-clamps/.



Description du Tableau de Commandes

Bouton	Fonction
<MENU>	Permet la sortie du menu ou de la fonction en cours
<ENTER>	Permet l'affichage du menu en cours ou permet de configurer la valeur en cours dans la fonction sélectionnée
<UP>	Permet de parcourir les listes de menu vers le haut, dans une fonction permet d'augmenter les valeurs numériques
<DOWN>	Permet de parcourir les listes de menu vers le bas, dans une fonction permet de diminuer les valeurs numériques

Tableau de Menu

Niveau Principal	Niveaux de Programmation		Description	
Address	001–512		Configure l'adresse DMX de départ	
Run Mode	DMX	20CH	Sélectionne le mode DMX	
		25CH		
	Auto Test		Lance la séquence de test de l'appareil	
	Manual Test	Pan	000–255	Permet de commander manuellement tous les paramètres du panneau de commande
		Pan Fine		
		Tilt		
		Tilt Fine		
		P/T Speed		
		Dimmer		
		Dimmer Fine		
		Shutter		
		Color		
		Gobo2		
		Gobo		
		Gobo Rot		
Focus				
Focus Fine				
Zoom				
Zoom Fine				
Prism1				
Prism1 Rot				
Prism2				
Prism2 Rot				
Frost1				
Frost2				
P/T Macro				
P/T Ma.Speed				
Special Function				

Tableau de Menu (Suite)

Niveau Principal	Niveaux de Programmation		Description	
Setup	Pan Reverse	YES	Fonctionnement inversé du pan	
		NO	Fonctionnement normal du pan	
	Tilt Reverse	YES	Fonctionnement inversé du tilt	
		NO	Fonctionnement normal du tilt	
	Screen Reverse	YES	Fait pivoter l'écran de commandes de 180°	
		NO	Vue normale de l'écran de commandes	
	Pan Angle	540	Sélectionne une plage d'angle de pan à 540°	
		360	Sélectionne une plage d'angle de pan à 360°	
		180	Sélectionne une plage d'angle de pan à 180°	
	Tilt Angle	270	Sélectionne une plage d'angle de tilt à 270°	
		180	Sélectionne une plage d'angle de tilt à 180°	
		90	Sélectionne une plage d'angle de tilt à 90°	
	BL.O.P/T Move	YES	Définit la temporisation de la mise en noir général du pan ou tilt	
		NO		
	BL.O.ColorMove	YES	Définit la temporisation de la mise en noir général du changement de couleur	
		NO		
	BL.O.GoboMove	YES	Définit la temporisation de la mise en noir général du changement de gobo	
		NO		
	Lamp Settings	On/Off	ON	Allume ou éteint l'unité
			OFF	
State/Power on		ON	Définit le statut de la lampe lors de la mise sous tension de l'unité	
		OFF		
Off Via Dmx		YES	Éteint l'unité via le jeu d'orgues DMX	
		NO		
On If Dmx On		YES	La lampe s'allume quand le signal DMX est détecté	
		NO		
Off If Dmx Off	YES	La lampe s'éteint quand le signal DMX est perdu		
	NO			

Tableau de Menu (Suite)

Niveau Principal	Niveaux de Programmation		Description	
Setup (Suite)	Lamp Settings (Suite)	Ignition Delay	000–255	Sélectionne la durée de la temporisation entre le moment où l'appareil s'allume et où la lampe s'allume
		Low Power Delay	000–255	Sélectionne la durée de la temporisation entre le moment où l'obturateur se ferme et la lampe se met en mode veille.
		Reset Lamp Time	YES	Réinitialise la minuterie de la lampe
	NO		Conserve la configuration de la minuterie de la lampe	
	Maintenance Timer	Interval	10–250	Définit le nombre d'heures entre deux maintenances
		Remaining Time	NO	Indique le temps restant lors du cycle de maintenance
			RESET	Réinitialise le temps
	Reset Function	Pan/Tilt	YES	Réinitialise les fonctions pan et tilt à leurs positions de départ
			NO	
		Shutter/Prism	YES	Réinitialise toutes les fonctions roulant / prisme à leurs positions de départ
			NO	
		Color	YES	Réinitialise toutes les fonctions de couleurs à leurs positions de départ
			NO	
		Gobo	YES	Réinitialise toutes les fonctions de gobos à leurs positions de départ
			NO	
		Zoom/Frost/Focus	YES	Réinitialise les fonctions zoom, le gel, et mise au point à leurs positions de départ
			NO	
	All	YES	Réinitialise toutes les fonctions à leurs positions de départ	
		NO		
	Factory Settings	YES		Réinitialise l'unité à sa configuration d'usine
NO				
Sys Info	Ver:		Affiche la version logicielle	
	Running Mode:		Affiche le mode actuel de fonctionnement	
	Dmx Address:		Affiche l'adresse DMX actuelle	
	Temperature:		Affiche la température de l'unité en Celsius	
	Lamp On Time:		Affiche le temps de fonctionne de la lampe depuis son installation (si le compteur a été remis à zéro quand la lampe a été changée)	
	Remain Time:		Indique le temps restant lors du cycle de maintenance	

Valeurs DMX

25CH	Canal	Fonction	Valeur	Pourcentage/Configuration
	1	Pan	000ó 255	0–100%
	2	Pan Précis	000ó 255	Contrôle précis (16-bit)
	3	Tilt	000ó 255	0–100%
	4	Tilt Précis	000ó 255	Contrôle précis (16-bit)
	5	Vitesse Pan/Tilt	000ó 255	0–100%
	6	Gradateur	000ó 255	0–100%
	7	Gradateur Fin	000ó 255	Contrôle précis (16-bit)
	8	Obturateur	000ó 007 008ó 015 016ó 131 132ó 167 168ó 203 204ó 239 240ó 247 248ó 255	Fermé Ouvert Lent à rapide Fermeture rapide, ouverture lente (lent à rapide) Fermeture lente, ouverture rapide (lent à rapide) Effet de pulsation de lent à rapide Effet aléatoire de lent à rapide Ouvert
	9	Roue de Couleurs	000ó 003 004ó 007 008ó 011 012ó 015 016ó 019 020ó 023 024ó 027 028ó 031 032ó 035 036ó 039 040ó 043 044ó 047 048ó 051 052ó 059 060ó 187 188ó 219 220ó 223 224ó 255	Ouvert Rouge Orange Cyan Vert clair Jaune clair Vert Magenta Bleu foncé Jaune foncé Bleu CTO 5600 K CTO 6500 K UV Demi couleurs Défilement dans le sens des aiguilles d'une montre, rapide à lent Arrêt Défilement dans le sens inverse des aiguilles d'une montre, lent à rapide

Valeurs DMX (Suite)

25CH (Suite)	Canal	Fonction	Valeur	Pourcentage/Configuration
			000ó 003	Ouvert
			004ó 006	Gobo 1
			007ó 009	Gobo 2
			010ó 012	Gobo 3
			013ó 015	Gobo 4
			016ó 018	Gobo 5
			019ó 021	Gobo 6
			022ó 024	Gobo 7
			025ó 027	Gobo 8
			028ó 030	Gobo 9
			031ó 033	Gobo 10
			034ó 036	Gobo 11
			037ó 039	Gobo 12
			040ó 042	Gobo 13
			043ó 059	Ouvert
			060ó 063	Oscillation de gobos 1, lent à rapide
			064ó 067	Oscillation de gobos 2, lent à rapide
			068ó 071	Oscillation de gobos 3, lent à rapide
			072ó 075	Oscillation de gobos 4, lent à rapide
			076ó 079	Oscillation de gobos 5, lent à rapide
			080ó 083	Oscillation de gobos 6, lent à rapide
			084ó 087	Oscillation de gobos 7, lent à rapide
			088ó 091	Oscillation de gobos 8, lent à rapide
			092ó 095	Oscillation de gobos 9, lent à rapide
			096ó 099	Oscillation de gobos 10, lent à rapide
			100ó 103	Oscillation de gobos 11, lent à rapide
			104ó 107	Oscillation de gobos 12, lent à rapide
			108ó 111	Oscillation de gobos 13, lent à rapide
			112ó 127	Ouvert
			128ó 189	Défilement de gobo dans le sens des aiguilles d'une montre, rapide à lent
			190ó 193	Arrêt
			194ó 255	Défilement de gobo dans le sens inverse des aiguilles d'une montre, lent à rapide

Valeurs DMX (Suite)

25CH (Suite)	Canal	Fonction	Valeur	Pourcentage/Configuration
11	Roue de Gobo 2	000	Ouvert	
		000 005	Ouvert (ouverture le met en mode Spot)	
		006 011	Gobo 1	
		012 017	Gobo 2	
		018 023	Gobo 3	
		024 029	Gobo 4	
		030 035	Gobo 5	
		036 041	Gobo 6	
		042 047	Gobo 7	
		048 053	Gobo 8	
		054 063	Gobo 9	
		064 073	Oscillation de gobos 1, lent à rapide	
		074 079	Oscillation de gobos 2, lent à rapide	
		080 085	Oscillation de gobos 3, lent à rapide	
		086 091	Oscillation de gobos 4, lent à rapide	
		092 097	Oscillation de gobos 5, lent à rapide	
		098 103	Oscillation de gobos 6, lent à rapide	
		104 109	Oscillation de gobos 7, lent à rapide	
		110 115	Oscillation de gobos 8, lent à rapide	
		116 121	Oscillation de gobos 9, lent à rapide	
122 127	Ouvert			
128 191	Défilement de gobo dans le sens des aiguilles d'une montre, rapide à lent			
192 255	Défilement de gobo dans le sens inverse des aiguilles d'une montre, lent à rapide			
12	Rotation de Roue de Gobo 2	000 063	Index de gobo	
		064 147	Rotation horaire, lent à rapide	
		148 231	Rotation antihoraire, rapide à lent	
		232 255	Rotation horaire/rotation anti-horaire	
13	Mise au point	000 255	0–100%	
14	Mise au point fin	000 255	Contrôle précis (16-bit)	
15	Zoom	000 255	0–100%	
16	Zoom fin	000 255	Contrôle précis (16-bit)	
17	Prisme 1	000 004	Pas de fonction	
		005 255	Insertion de prisme	
18	Rotation de Prisme 1	000 127	Indexation de prisme	
		128 189	Rotation dans le sens inverse des aiguilles d'une montre, rapide à lent	
		190 193	Arrêt	
		194 255	Rotation dans le sens des aiguilles d'une montre, lent à rapide	
19	Prisme 2	000 004	Pas de fonction	
		005 255	Insertion de prisme	
20	Rotation de Prisme 2	000 127	Indexation de prisme	
		128 189	Rotation dans le sens inverse des aiguilles d'une montre, rapide à lent	
		190 193	Arrêt	
		194 255	Rotation dans le sens des aiguilles d'une montre, lent à rapide	

Valeurs DMX (Suite)

25CH (Suite)	Canal	Fonction	Valeur	Pourcentage/Configuration
	21	Effet Dépoli	000ó 255	0–100%
	22	Beam Defraction	000ó 255	0–100%
	23	Macros de Mouvements	000ó 007	Pas de fonction
			008ó 015	Effet 1
			016ó 023	Effet 2
			024ó 031	Effet 3
			032ó 039	Effet 4
			040ó 047	Effet 5
			048ó 055	Effet 6
			056ó 063	Effet 7
			064ó 071	Effet 8
			072ó 079	Effet 9
			080ó 087	Effet 10
			088ó 095	Effet 11
			096ó 103	Effet 12
			104ó 111	Effet 13
			112ó 119	Effet 14
			120ó 127	Effet 15
			128ó 135	Effet 16
			136ó 143	Effet 17
			144ó 151	Effet 18
			152ó 159	Effet 19
			160ó 167	Effet 20
			168ó 175	Effet 21
			176ó 183	Effet 22
			184ó 191	Effet 23
			192ó 199	Effet 24
			200ó 207	Effet 25
			208ó 215	Effet 26
			216ó 223	Effet 27
			224ó 231	Effet 28
			232ó 239	Effet 29
			240ó 247	Effet 30
	248ó 255	Effet 31		

Valeurs DMX (Suite)

25CH (Suite)	Canal	Fonction	Valeur	Pourcentage/Configuration
	24	Vitesse Macros de Mouvements	000ó 255	0–100%
	25	Commande	000ó 029	Aucune fonction
			030ó 039	Mode conventionnel de gradation
			040ó 049	Mode linéaire de gradation
			050ó 059	Mode rapide balayage/basculement
			060ó 069	Mode normal balayage/basculement
			070ó 079	Noir général en balayage/basculement (3 secondes de pause)
			080ó 089	Désactivation du noir général en balayage/basculement (3 secondes de pause)
			090ó 099	Noir général pendant déplacement roue de couleurs (3 secondes de pause)
			100ó 109	Désactivation du noir général de la roue de couleurs (3 secondes de pause)
			110ó 119	Noir général pendant déplacement roues de gobos (3 secondes de pause)
			120ó 129	Désactivation du noir général des roues de gobos (3 secondes de pause)
			130ó 139	Lampe allumée
			140ó 149	Réinitialisation du balayage/basculement
			150ó 159	Réinitialisation de la roue de couleurs
			160ó 169	Réinitialisation de la roue de gobos
			170ó 179	Réinitialisation de l'obturateur/du prisme
			180ó 189	Aucune fonction
			190ó 199	Réinitialisation du frost/focus/zoom
			200ó 209	Tout réinitialiser
			210ó 219	Noir général de toutes les fonctions pendant le balayage/basculement
			220ó 229	Désactivation du noir général de toutes les fonctions pendant le balayage/basculement
			230ó 239	Lampe éteinte
			240ó 247	Vitesse des mouvements balayage/basculement, accélération activée
			248ó 255	Vitesse des mouvements balayage/basculement, accélération désactivée

Valeurs DMX (Suite)

20CH	Canal	Fonction	Valeur	Pourcentage/Configuration
	1	Pan	000ó 255	0–100%
	2	Pan Précis	000ó 255	Contrôle précis (16-bit)
	3	Tilt	000ó 255	0–100%
	4	Tilt Précis	000ó 255	Contrôle précis (16-bit)
	5	Vitesse Pan/Tilt	000ó 255	0–100%
	6	Gradateur	000ó 255	0–100%
	7	Obturateur	000ó 007	Fermé
			008ó 015	Ouvert
			016ó 131	Lent à rapide
			132ó 167	Fermeture rapide, ouverture lente (lent à rapide)
			168ó 203	Fermeture lente, ouverture rapide (lent à rapide)
			204ó 239	Effet de pulsation de lent à rapide
			240ó 247	Effet aléatoire de lent à rapide
	8	Roue de Couleurs	248ó 255	Ouvert
			000ó 003	Ouvert
			004ó 007	Rouge
			008ó 011	Orange
			012ó 015	Cyan
			016ó 019	Vert clair
			020ó 023	Jaune clair
			024ó 027	Vert
			028ó 031	Magenta
			032ó 035	Bleu foncé
			036ó 039	Jaune foncé
			040ó 043	Bleu
			044ó 047	CTO 5600 K
			048ó 051	CTO 6500 K
			052ó 059	UV
	060ó 187	Demi couleurs		
	188ó 219	Défilement dans le sens des aiguilles d'une montre, rapide à lent		
	220ó 223	Arrêt		
	224ó 255	Défilement dans le sens inverse des aiguilles d'une montre, lent à rapide		

Valeurs DMX (Suite)

20CH (Suite)	Canal	Fonction	Valeur	Pourcentage/Configuration
			000◊ 003	Ouvert
			004◊ 006	Gobo 1
			007◊ 009	Gobo 2
			010◊ 012	Gobo 3
			013◊ 015	Gobo 4
			016◊ 018	Gobo 5
			019◊ 021	Gobo 6
			022◊ 024	Gobo 7
			025◊ 027	Gobo 8
			028◊ 030	Gobo 9
			031◊ 033	Gobo 10
			034◊ 036	Gobo 11
			037◊ 039	Gobo 12
			040◊ 042	Gobo 13
			043◊ 059	Ouvert
			060◊ 063	Oscillation de gobos 1, lent à rapide
	9	Roue de Gobo 1	064◊ 067	Oscillation de gobos 2, lent à rapide
			068◊ 071	Oscillation de gobos 3, lent à rapide
			072◊ 075	Oscillation de gobos 4, lent à rapide
			076◊ 079	Oscillation de gobos 5, lent à rapide
			080◊ 083	Oscillation de gobos 6, lent à rapide
			084◊ 087	Oscillation de gobos 7, lent à rapide
			088◊ 091	Oscillation de gobos 8, lent à rapide
			092◊ 095	Oscillation de gobos 9, lent à rapide
			096◊ 099	Oscillation de gobos 10, lent à rapide
			100◊ 103	Oscillation de gobos 11, lent à rapide
			104◊ 107	Oscillation de gobos 12, lent à rapide
			108◊ 111	Oscillation de gobos 13, lent à rapide
			112◊ 127	Ouvert
			128◊ 189	Défilement de gobo dans le sens des aiguilles d'une montre, rapide à lent
			190◊ 193	Arrêt
			194◊ 255	Défilement de gobo dans le sens inverse des aiguilles d'une montre, lent à rapide

Valeurs DMX (Suite)

20CH (Suite)	Canal	Fonction	Valeur	Pourcentage/Configuration
10	Roue de Gobo 2	000	Ouvert	
		000ó005	Ouvert (ouverture le met en mode Spot)	
		006ó011	Gobo 1	
		012ó017	Gobo 2	
		018ó023	Gobo 3	
		024ó029	Gobo 4	
		030ó035	Gobo 5	
		036ó041	Gobo 6	
		042ó047	Gobo 7	
		048ó053	Gobo 8	
		054ó063	Gobo 9	
		064ó073	Oscillation de gobos 1, lent à rapide	
		074ó079	Oscillation de gobos 2, lent à rapide	
		080ó085	Oscillation de gobos 3, lent à rapide	
		086ó091	Oscillation de gobos 4, lent à rapide	
		092ó097	Oscillation de gobos 5, lent à rapide	
		098ó103	Oscillation de gobos 6, lent à rapide	
		104ó109	Oscillation de gobos 7, lent à rapide	
		110ó115	Oscillation de gobos 8, lent à rapide	
		116ó121	Oscillation de gobos 9, lent à rapide	
122ó127	Ouvert			
128ó191	Défilement de gobo dans le sens des aiguilles d'une montre, rapide à lent			
192ó255	Défilement de gobo dans le sens inverse des aiguilles d'une montre, lent à rapide			
11	Rotation de Roue de Gobo 2	000ó063	Index de gobo	
		064ó147	Rotation horaire, lent à rapide	
		148ó231	Rotation antihoraire, rapide à lent	
		232ó255	Rotation horaire/rotation anti-horaire	
12	Mise au point	000ó255	0–100%	
13	Zoom	000ó255	0–100%	
14	Prisme 1	000ó004	Pas de fonction	
		005ó255	Insertion de prisme	
15	Rotation de Prisme 1	000ó127	Indexation de prisme	
		128ó189	Rotation dans le sens inverse des aiguilles d'une montre, rapide à lent	
		190ó193	Arrêt	
		194ó255	Rotation dans le sens des aiguilles d'une montre, lent à rapide	
16	Prisme 2	000ó004	Pas de fonction	
		005ó255	Insertion de prisme	
17	Rotation de Prisme 2	000ó127	Indexation de prisme	
		128ó189	Rotation dans le sens inverse des aiguilles d'une montre, rapide à lent	
		190ó193	Arrêt	
		194ó255	Rotation dans le sens des aiguilles d'une montre, lent à rapide	
18	Effet Dépoli	000ó255	0–100%	
19	Beam Diffraction	000ó255	0–100%	

Valeurs DMX (Suite)

20CH (Suite)	Canal	Fonction	Valeur	Pourcentage/Configuration
			000ó 029	Aucune fonction
			030ó 039	Mode conventionnel de gradation
			040ó 049	Mode linéaire de gradation
			050ó 059	Mode rapide balayage/basculement
			060ó 069	Mode normal balayage/basculement
			070ó 079	Noir général en balayage/basculement (3 secondes de pause)
			080ó 089	Désactivation du noir général en balayage/basculement (3 secondes de pause)
			090ó 099	Noir général pendant déplacement roue de couleurs (3 secondes de pause)
			100ó 109	Désactivation du noir général de la roue de couleurs (3 secondes de pause)
			110ó 119	Noir général pendant déplacement roues de gobos (3 secondes de pause)
			120ó 129	Désactivation du noir général des roues de gobos (3 secondes de pause)
	20	Commande	130ó 139	Lampe allumée
			140ó 149	Réinitialisation du balayage/basculement
			150ó 159	Réinitialisation de la roue de couleurs
			160ó 169	Réinitialisation de la roue de gobos
			170ó 179	Réinitialisation de l'obturateur/du prisme
			180ó 189	Aucune fonction
			190ó 199	Réinitialisation du frost/focus/zoom
			200ó 209	Tout réinitialiser
			210ó 219	Noir général de toutes les fonctions pendant le balayage/basculement
			220ó 229	Désactivation du noir général de toutes les fonctions pendant le balayage/basculement
			230ó 239	Lampe éteinte
			240ó 247	Vitesse des mouvements balayage/ basculement, accélération activée
			248ó 255	Vitesse des mouvements balayage/ basculement, accélération désactivée

Over deze handleiding De Rogue™ RH1 Hybrid Beknopte Handleiding (BH) bevat basisinformatie over het product, zoals aansluiting, montage, menu-opties en DMX-waarden. Download de gebruikershandleiding op www.chauvetprofessional.com voor meer informatie.

Disclaimer De informatie en specificaties in deze BH kunnen zonder voorafgaande kennisgeving worden gewijzigd.

- Veiligheidsinstructies**
- Open het product NIET. Het bevat geen te onderhouden onderdelen.
 - Om onnodige slijtage te elimineren en zijn levensduur te verlengen, gedurende perioden wanneer het product niet wordt gebruikt, moet u het product van de stroom afsluiten door een aardlekschakelaar om te zetten of door het te ontkoppelen.
 - LET OP: Bij het verplaatsen van het product uit extreme omgevingen, (bijv. koude vrachtwagen naar warme, vochtige balzaal) kan er condensvorming optreden op de elektronica van het product. Om storingen te vermijden moet het product volledig kunnen acclimatiseren aan de omgeving voordat het op stroom wordt aangesloten.
 - KIJK NIET in de lichtbron wanneer het apparaat is ingeschakeld.
 - LET OP: De behuizing van dit product kan heet zijn wanneer het in bedrijf is.
 - Monteer dit product op een plek met voldoende ventilatie, ten minste 50 cm van de aangrenzende oppervlakken.
 - Plaats geen ontvlambaar materiaal binnen 50 cm van dit product als het in gebruik is of is aangesloten op het stopcontact.
 - GEBRUIK een veiligheidskabel bij het boven het hoofd plaatsen van dit product.
 - Gebruik dit product NIET buitenshuis of op een locatie waar stof, grote warmte, water of vochtigheid het kunnen beïnvloeden. (IP20)
 - Gebruik dit product NIET als de behuizing, lenzen of kabels beschadigd lijken.
 - Sluit dit product NIET aan op een dimmer of een regelweerstand.
 - Sluit dit product UITSLUITEND op een geaard en beveiligd stroomcircuit.
 - Gebruik UITSLUITEND montagebeugels of de hendels om dit product te dragen. Draag het product niet aan de bewegende kop.
 - Stop in het geval van ernstige operationele problemen onmiddellijk met het gebruik.
 - De maximale omgevingstemperatuur bedraagt 45 °C. Gebruik dit product niet bij hogere temperaturen.

- Contact**
- Van buiten de VS, Verenigd Koninkrijk, Ierland, Mexico of Benelux kunt u contact opnemen met de distributeur of om ondersteuning vragen dan wel het product retourneren.
 - Maak vanuit de VS, het VK, Ierland, Mexico of Benelux gebruik van de informatie onder [Neem contact met ons op](#) aan het einde van deze BH.

- Wat is inbegrepen**
- Rogue™ RH1 Hybrid
 - Neutrik® powerCON® stroomsnoer
 - Garantiekaart
 - 2 Omegabeugels met bevestigingsapparatuur
 - Beknopte handleiding

AC-stroom Dit product heeft een voeding met automatisch bereik die werkt met een ingangsspanning van 100–240 VAC, 50/60 Hz.



Om onnodige slijtage te elimineren en zijn levensduur te verlengen, gedurende perioden wanneer het product niet wordt gebruikt, moet u het product van de stroom afsluiten door een aardlekschakelaar om te zetten of door het te ontkoppelen.

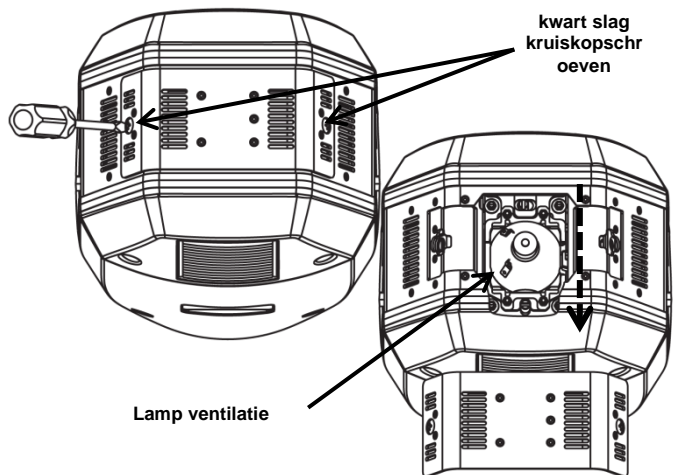
AC-stekker	Aansluiting	Snoer (VS)	Snoer (Europa)	Schroefkleur
	AC Live	Zwart	Bruin	Geel/messing
	AC Neutraal	Wit	Blauw	Zilver
	AC Aarde	Groen/geel	Groen/geel	Groen

- De zekering vervangen**
1. Ontkoppel dit product van de stroom.
 2. Gebruik een kruiskopschroevendraaier nr. 2 en schroef de kap van de zekeringhouder los van de behuizing.
 3. Verwijder de doorgebrande zekering en vervang het met een werkende zekering van hetzelfde type en met dezelfde waarde.
 4. Schroef de kap van de zekeringhouder terug en steek de stekker er weer in.

- Lampvervangning**
1. Schakel de armatuur uit en ontkoppel het van de stroom.
 2. Wacht ten minste 15 minuten om de lamp af te laten koelen.
 3. Maak de 2 2 kruiskopschroeven op het achterpaneel van de kop los.
 4. Kennis te nemen met betrekking tot de oriëntatie van de lamp.
Ventilatieopeningen op de voorkant van de lamp moet horizontaal zijn uitgelijnd met de ventilatieopeningen aan de lamp frame. Richt het product zo dat de stroomkabels van de lamp uit de hoek rechtsonder komen, wanneer u tegen de achterkant van de kop kijkt.
 5. Duw de lamp met het lamponderstek tegen de veerklemmen op de onderzijde en rol de lamp daarna uit de bovenzijde.
 6. Trek de 2 draden die aan de lamp zijn gekoppeld bij de aansluitklemmen.
 7. Voer de stappen in omgekeerde volgorde uit om de nieuwe lamp te installeren.



Raadpleeg de gebruikershandleiding voor meer uitgebreide instructies met afbeeldingen.

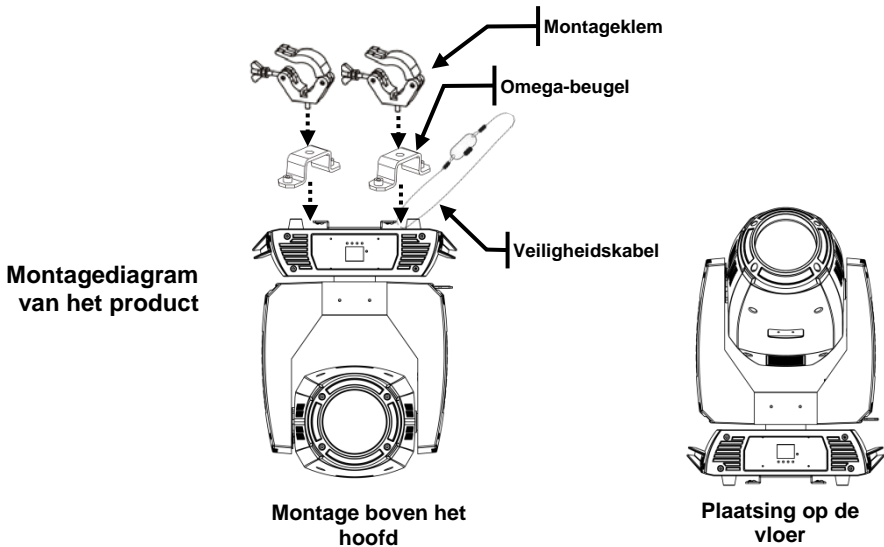


RISICO ontploffen van de lamp! Ventilatieopeningen op de voorkant van de lamp moet horizontaal zijn uitgelijnd met de ventilatieopeningen aan de lamp frame. Dit is uiterst belangrijk voor lampkoeling.

DMX-koppeling De Rogue™ 2 RH1 Hybrid kan met een DMX-controller werken met een 3-pins of 5-pins seriële DMX-verbinding. Op www.chauvetprofessional.com is een DMX-basishandleiding verkrijgbaar.

DMX-aansluiting De Rogue™ RH1 Hybrid gebruikt een 3- of 5-pins normale DMX-gegevensverbinding voor zijn DMX-persoonlijkheden: **20CH** en **25CH**. Zie de gebruikershandleiding voor meer informatie over het verbinden en configureren van het product voor DMX-werking.

Montage Lees alvorens dit product te monteren alle [Veiligheidsvoorschriften](#). Gebruik ten minste één montagepunt per product. Controleer of de montageklemmen het gewicht van het product kunnen dragen. Ga voor onze Chauvet-serie montageklemmen naar www.trusst.com/productcategory/accessories-clamps/.



Beschrijving bedieningspaneel

Toets	Functie
<MENU>	Sluit het huidige menu of functie af
<ENTER>	Activeert het huidige getoonde menu of plaatst de huidige geselecteerde waarde in de geselecteerde functie
<UP>	Navigeert omhoog via het menu of verhoogt de numerieke waarde wanneer in een functie
<DOWN>	Navigeert omlaag via het menu of verlaagt de numerieke waarde wanneer in een functie

Menu map

Hoofdniveau	Programmeerniveaus		Beschrijving	
Address	001–512		Stelt het DMX-startadres in	
Run Mode	DMX	20CH	Selecteert de DMX-modus	
		25CH		
	Auto Test		Voert de testprocedure van het product uit	
	Manual Test	Pan	000–255	Maakt handmatige bediening mogelijk van alle instellingen van het bedieningspaneel
		Pan Fine		
		Tilt		
		Tilt Fine		
		P/T Speed		
		Dimmer		
		Dimmer Fine		
		Shutter		
		Color		
		Gobo2		
		Gobo		
		Gobo Rot		
Focus				
Focus Fine				
Zoom				
Zoom Fine				
Prism1				
Prism1 Rot				
Prism2				
Prism2 Rot				
Frost1				
Frost2				
P/T Macro				
P/T Ma.Speed				
Special Function				

Menukaart (vervolg)

Hoofd-niveau	Programmeerniveaus		Beschrijving	
Setup	Pan Reverse	YES	Omgekeerde zwenkbediening	
		NO	Normale zwenkbediening	
	Tilt Reverse	YES	Omgekeerde kantelbediening	
		NO	Normale kantelbediening	
	Screen Reverse	YES	Roteert de weergave van het bedieningsscherm met 180°	
		NO	Normale weergave van het bedieningsscherm	
	Pan Angle	540	Selecteert het 540° zwenkhoekbereik	
		360	Selecteert het 360° zwenkhoekbereik	
		180	Selecteert het 180° zwenkhoekbereik	
	Tilt Angle	270	Selecteert het 270° kantelhoekbereik	
		180	Selecteert het 180° kantelhoekbereik	
		90	Selecteert het 90° kantelhoekbereik	
	BL.O.P/T Move	YES	Definieert de zwenking/kanteling van de move-in-black vertraging	
		NO		
	BL.O.ColorMove	YES	Definieert de kleurverandering van de move-in-black vertraging	
		NO		
	BL.O.GoboMove	YES	Definieert de goboverandering van de move-in-black vertraging	
		NO		
	Lamp Settings	On/Off	ON	Schakelt de lamp aan/uit
			OFF	
State/Power on		ON	Definieert de lampstatus bij het inschakelen van het product	
		OFF		
Off Via Dmx		YES	Schakelt het apparaat uit via de DMX-controller	
		NO		
On If Dmx On		YES	Schakelt de lamp aan wanneer het DMX-signaal is gedetecteerd	
		NO		
Off If Dmx Off		YES	Schakelt de lamp uit wanneer het DMX-signaal is verbroken	
		NO		
Ignition Delay	000–255	Kiest de vertragingstijd tussen inschakeling van het product en inschakeling van de lamp		
Low Power Delay	000–255	Kiest de vertragingstijd wanneer de sluiting is gesloten en de lamp naar een toestand van laag vermogen gaat		
Reset Lamp Time	YES	Reset de lampstijd naar 0		
	NO	Laat de lampstijd ongewijzigd		

Menukaart (vervolg)

Hoofdniveau	Programmeerniveaus		Beschrijving	
Setup (Cont.)	Maintenance Timer	Interval	10–250	Definieert aantal uren tussen onderhoud
		Remaining Time	NO	Toont hoeveelheid tijd die nog overblijft in de onderhoudscyclus
			RESET	Reset de tijd naar het begin
	Reset Function	Pan/Tilt	YES	Reset de zwenk-/kantelfuncties naar de startpositie
			NO	
		Shutter/ Prism	YES	Reset alle sluiters-/prismafuncties naar de startpositie
			NO	
		Color	YES	Reset alle kleurfuncties naar de startpositie
			NO	
		Gobo	YES	Reset alle gobofuncties naar de startpositie
			NO	
		Zoom/ Frost/ Focus	YES	Reset de zoom-, frost- en focusfuncties naar de startpositie
			NO	
		All	YES	Reset alle functies naar de startpositie
			NO	
Factory Settings	YES		Zet het product terug naar de oorspronkelijke fabrieksinstellingen	
	NO			
Sys Info	Ver:		Toont de softwareversie	
	Running Mode:		Toont de huidige bedrijfsmodus	
	Dmx Address:		Toont het huidige DMX-adres	
	Temperature:		Toont de producttemperatuur in graden Celsius	
	Lamp On Time:		Toont hoe lang de lamp al aan is (onder de voorwaarde dat de teller is gereset na installatie van de nieuwe lamp)	
	Remain Time:		Toont hoeveelheid tijd die nog overblijft in de onderhoudscyclus	

DMX-waarden

25CH	Kanaal	Functie	Waarde	Percentage/instelling
	1	Zwenken	000ó 255	0–100%
	2	Fijn zwenken	000ó 255	Fijne regeling (16-bit)
	3	Kantelen	000ó 255	0–100%
	4	Fijn kantelen	000ó 255	Fijne regeling (16-bit)
	5	Zwenk-/kantelsnelheid	000ó 255	0–100%
	6	Dimmer	000ó 255	0–100%
	7	Fijne dimmer	000ó 255	Fijne regeling (16-bit)
	8	Sluiter	000ó 007 008ó 015 016ó 131 132ó 167 168ó 203 204ó 239 240ó 247 248ó 255	Gesloten Open Langzaam tot snel Snel sluiten, langzaam open (langzaam tot snel) Langzaam sluiten, snel open (langzaam tot snel) Pulseffect van langzaam tot snel Willekeurig effect van langzaam tot snel Open
	9	Kleurenwiel	000ó 003 004ó 007 008ó 011 012ó 015 016ó 019 020ó 023 024ó 027 028ó 031 032ó 035 036ó 039 040ó 043 044ó 047 048ó 051 052ó 059 060ó 187 188ó 219 220ó 223 224ó 255	Open Rood Oranje Cyaan Lichtgroen Lichtgeel Groen Magenta Donkerblauw Donkergeel Blauw CTO 5600 K CTO 6500 K UV Gespleten kleuren Kleurwijziging met de klok mee, snel tot langzaam Stop Kleurwijziging tegen de klok in, langzaam tot snel

DMX-waarden (vervolg)

25CH (vervolg)	Kanaal	Functie	Waarde	Percentage/instelling
			000ó 003	Open
			004ó 006	Gobo 1
			007ó 009	Gobo 2
			010ó 012	Gobo 3
			013ó 015	Gobo 4
			016ó 018	Gobo 5
			019ó 021	Gobo 6
			022ó 024	Gobo 7
			025ó 027	Gobo 8
			028ó 030	Gobo 9
			031ó 033	Gobo 10
			034ó 036	Gobo 11
			037ó 039	Gobo 12
			040ó 042	Gobo 13
			043ó 059	Open
			060ó 063	Gobo schudden 1, langzaam tot snel
			064ó 067	Gobo schudden 2, langzaam tot snel
			068ó 071	Gobo schudden 3, langzaam tot snel
			072ó 075	Gobo schudden 4, langzaam tot snel
			076ó 079	Gobo schudden 5, langzaam tot snel
			080ó 083	Gobo schudden 6, langzaam tot snel
			084ó 087	Gobo schudden 7, langzaam tot snel
			088ó 091	Gobo schudden 8, langzaam tot snel
			092ó 095	Gobo schudden 9, langzaam tot snel
			096ó 099	Gobo schudden 10, langzaam tot snel
			100ó 103	Gobo schudden 11, langzaam tot snel
			104ó 107	Gobo schudden 12, langzaam tot snel
			108ó 111	Gobo schudden 13, langzaam tot snel
			112ó 127	Open
			128ó 189	Gobowijziging met de klok mee, snel tot langzaam
			190ó 193	Stop
			194ó 255	Gobowijziging tegen de klok in, langzaam tot snel

DMX-waarden (vervolg)

25CH (vervolg)	Kanaal	Functie	Waarde	Percentage/instelling
11	Gobo-wiel 2	000	Open	
		001 ó 005	Openen (opening ingesteld naar spotmodus)	
		006 ó 011	Gobo 1	
		012 ó 017	Gobo 2	
		018 ó 023	Gobo 3	
		024 ó 029	Gobo 4	
		030 ó 035	Gobo 5	
		036 ó 041	Gobo 6	
		042 ó 047	Gobo 7	
		048 ó 053	Gobo 8	
		054 ó 063	Gobo 9	
		064 ó 073	Gobo schudden 1, langzaam tot snel	
		074 ó 079	Gobo schudden 2, langzaam tot snel	
		080 ó 085	Gobo schudden 3, langzaam tot snel	
		086 ó 091	Gobo schudden 4, langzaam tot snel	
		092 ó 097	Gobo schudden 5, langzaam tot snel	
		098 ó 103	Gobo schudden 6, langzaam tot snel	
		104 ó 109	Gobo schudden 7, langzaam tot snel	
		110 ó 115	Gobo schudden 8, langzaam tot snel	
		116 ó 121	Gobo schudden 9, langzaam tot snel	
		122 ó 127	Open	
		128 ó 191	Gobowijziging met de klok mee, snel tot langzaam	
192 ó 255	Gobowijziging tegen de klok in, langzaam tot snel			
12	Gobo-wiel 2 roteren	000 ó 063	Gobo index	
		064 ó 147	Rotatie met de klok mee, langzaam tot snel	
		148 ó 231	Rotatie tegen de klok in, langzaam tot snel	
		232 ó 255	Rotatie met de klok mee/rotatie tegen de klok in	
13	Focus	000 ó 255	0–100%	
14	Fijne focus	000 ó 255	Fijne regeling (16-bit)	
15	Zoom	000 ó 255	0–100%	
16	Fijne zoom	000 ó 255	Fijne regeling (16-bit)	
17	Prisma 1	000 ó 004	Geen functie	
		005 ó 255	Inzetstuk van het prisma	
18	Prisma 1 roteren	000 ó 127	Prisma-index	
		128 ó 189	Rotatie met de klok mee, langzaam tot snel	
		190 ó 193	Stop	
		194 ó 255	Rotatie met de klok mee, langzaam tot snel	
19	Prisma 2	000 ó 004	Geen functie	
		005 ó 255	Inzetstuk van het prisma	
20	Prisma 2 roteren	000 ó 127	Prisma-index	
		128 ó 189	Rotatie met de klok mee, langzaam tot snel	
		190 ó 193	Stop	
		194 ó 255	Rotatie met de klok mee, langzaam tot snel	
21	Frost	000 ó 255	0–100%	
22	Straaldefractie	000 ó 255	0–100%	

DMX-waarden (vervolg)

25CH (vervolg)	Kanaal	Functie	Waarde	Percentage/instelling
			000ó 007	Geen functie
			008ó 015	Effect 1
			016ó 023	Effect 2
			024ó 031	Effect 3
			032ó 039	Effect 4
			040ó 047	Effect 5
			048ó 055	Effect 6
			056ó 063	Effect 7
			064ó 071	Effect 8
			072ó 079	Effect 9
			080ó 087	Effect 10
			088ó 095	Effect 11
			096ó 103	Effect 12
			104ó 111	Effect 13
			112ó 119	Effect 14
			120ó 127	Effect 15
23		Bewegingsmacro's	128ó 135	Effect 16
			136ó 143	Effect 17
			144ó 151	Effect 18
			152ó 159	Effect 19
			160ó 167	Effect 20
			168ó 175	Effect 21
			176ó 183	Effect 22
			184ó 191	Effect 23
			192ó 199	Effect 24
			200ó 207	Effect 25
			208ó 215	Effect 26
			216ó 223	Effect 27
			224ó 231	Effect 28
			232ó 239	Effect 29
			240ó 247	Effect 30
			248ó 255	Effect 31

DMX-waarden (vervolg)

25CH (vervolg)	Kanaal	Functie	Waarde	Percentage/instelling
	24	Beweging macrosnelheid	000ó 255	0–100%
	25	Regeling	000ó 029	Geen functie
			030ó 039	Conventionele modus van de dimmer
			040ó 049	Lineaire modus van de dimmer
			050ó 059	Zwenken/kantelen snelle modus
			060ó 069	Zwenken/kantelen normale modus
			070ó 079	Verduistering tijdens zwenken/kantelen (3 sec vasthouden)
			080ó 089	Uitschakelen zwenk-/kantelverduistering (3 sec vasthouden)
			090ó 099	Verduistering van kleurwielbeweging (3 sec vasthouden)
			100ó 109	Uitschakelen kleurwielverduistering (3 sec vasthouden)
			110ó 119	Verduistering van beweging van gobowielen (3 sec vasthouden)
			120ó 129	Uitschakelen gobowielverduistering (3 sec vasthouden)
			130ó 139	Lamp aan
			140ó 149	Resetten zwenken/kantelen
			150ó 159	Kleurwiel reset
			160ó 169	Gobowiel reset
			170ó 179	Resetten sluiters/prisma
			180ó 189	Geen functie
			190ó 199	Frost/focus/zoom reset
			200ó 209	Reset alle
			210ó 219	Alle functies verduisteren tijdens zwenken/kantelen
			220ó 229	Alle functies verduisteren uitschakelen tijdens zwenken/kantelen
			230ó 239	Lamp uit
			240ó 247	Aanloopsnelheid zwenk-/kantelbeweging, verhogen aan
			248ó 255	Aanloopsnelheid zwenk-/kantelbeweging, verhogen uit

DMX-waarden (vervolg)

20CH	Kanaal	Functie	Waarde	Percentage/instelling
	1	Zwenken	000ó 255	0–100%
	2	Fijn zwenken	000ó 255	Fijne regeling (16-bit)
	3	Kantelen	000ó 255	0–100%
	4	Fijn kantelen	000ó 255	Fijne regeling (16-bit)
	5	Zwenk- /kantelsnelheid	000ó 255	0–100%
	6	Dimmer	000ó 255	0–100%
	7	Sluiter	000ó 007 008ó 015 016ó 131 132ó 167 168ó 203 204ó 239 240ó 247 248ó 255	Gesloten Open Langzaam tot snel Snel sluiten, langzaam open (langzaam tot snel) Langzaam sluiten, snel open (langzaam tot snel) Pulseffect van langzaam tot snel Willekeurig effect van langzaam tot snel Open
	8	Kleurenwiel	000ó 003 004ó 007 008ó 011 012ó 015 016ó 019 020ó 023 024ó 027 028ó 031 032ó 035 036ó 039 040ó 043 044ó 047 048ó 051 052ó 059 060ó 187 188ó 219 220ó 223 224ó 255	Open Rood Oranje Cyaan Lichtgroen Lichtgeel Groen Magenta Donkerblauw Donkergeel Blauw CTO 5600 K CTO 6500 K UV Gespleten kleuren Kleurwijziging met de klok mee, snel tot langzaam Stop Kleurwijziging tegen de klok in, langzaam tot snel

DMX-waarden (vervolg)

20CH (vervolg)	Kanaal	Functie	Waarde	Percentage/instelling
			000ó 003	Open
			004ó 006	Gobo 1
			007ó 009	Gobo 2
			010ó 012	Gobo 3
			013ó 015	Gobo 4
			016ó 018	Gobo 5
			019ó 021	Gobo 6
			022ó 024	Gobo 7
			025ó 027	Gobo 8
			028ó 030	Gobo 9
			031ó 033	Gobo 10
			034ó 036	Gobo 11
			037ó 039	Gobo 12
			040ó 042	Gobo 13
			043ó 059	Open
			060ó 063	Gobo schudden 1, langzaam tot snel
			064ó 067	Gobo schudden 2, langzaam tot snel
			068ó 071	Gobo schudden 3, langzaam tot snel
			072ó 075	Gobo schudden 4, langzaam tot snel
			076ó 079	Gobo schudden 5, langzaam tot snel
			080ó 083	Gobo schudden 6, langzaam tot snel
			084ó 087	Gobo schudden 7, langzaam tot snel
			088ó 091	Gobo schudden 8, langzaam tot snel
			092ó 095	Gobo schudden 9, langzaam tot snel
			096ó 099	Gobo schudden 10, langzaam tot snel
			100ó 103	Gobo schudden 11, langzaam tot snel
			104ó 107	Gobo schudden 12, langzaam tot snel
			108ó 111	Gobo schudden 13, langzaam tot snel
			112ó 127	Open
			128ó 189	Gobowijziging met de klok mee, snel tot langzaam
			190ó 193	Stop
			194ó 255	Gobowijziging tegen de klok in, langzaam tot snel

DMX-waarden (vervolg)

20CH (vervolg)	Kanaal	Functie	Waarde	Percentage/instelling
10	Gobo-wiel 2	000	Open	
		001 ó 005	Openen (opening ingesteld naar spotmodus)	
		006 ó 011	Gobo 1	
		012 ó 017	Gobo 2	
		018 ó 023	Gobo 3	
		024 ó 029	Gobo 4	
		030 ó 035	Gobo 5	
		036 ó 041	Gobo 6	
		042 ó 047	Gobo 7	
		048 ó 053	Gobo 8	
		054 ó 063	Gobo 9	
		064 ó 073	Gobo schudden 1, langzaam tot snel	
		074 ó 079	Gobo schudden 2, langzaam tot snel	
		080 ó 085	Gobo schudden 3, langzaam tot snel	
		086 ó 091	Gobo schudden 4, langzaam tot snel	
		092 ó 097	Gobo schudden 5, langzaam tot snel	
		098 ó 103	Gobo schudden 6, langzaam tot snel	
		104 ó 109	Gobo schudden 7, langzaam tot snel	
		110 ó 115	Gobo schudden 8, langzaam tot snel	
		116 ó 121	Gobo schudden 9, langzaam tot snel	
122 ó 127	Open			
128 ó 191	Gobowijziging met de klok mee, snel tot langzaam			
192 ó 255	Gobowijziging tegen de klok in, langzaam tot snel			
11	Gobo-wiel 2 roteren	000 ó 063	Gobo index	
		064 ó 147	Rotatie met de klok mee, langzaam tot snel	
		148 ó 231	Rotatie tegen de klok in, langzaam tot snel	
		232 ó 255	Rotatie met de klok mee/rotatie tegen de klok in	
12	Focus	000 ó 255	0–100%	
13	Zoom	000 ó 255	0–100%	
14	Prisma 1	000 ó 004	Geen functie	
		005 ó 255	Inzetstuk van het prisma	
15	Prisma 1 roteren	000 ó 127	Prisma-index	
		128 ó 189	Rotatie met de klok mee, langzaam tot snel	
		190 ó 193	Stop	
		194 ó 255	Rotatie met de klok mee, langzaam tot snel	
16	Prisma 2	000 ó 004	Geen functie	
		005 ó 255	Inzetstuk van het prisma	
17	Prisma 2 roteren	000 ó 127	Prisma-index	
		128 ó 189	Rotatie met de klok mee, langzaam tot snel	
		190 ó 193	Stop	
		194 ó 255	Rotatie met de klok mee, langzaam tot snel	
18	Frost	000 ó 255	0–100%	
19	Straaldefractie	000 ó 255	0–100%	

DMX-waarden (vervolg)

20CH (vervolg)	Kanaal	Functie	Waarde	Percentage/instelling
20	Regeling		000○ 029	Geen functie
			030○ 039	Conventionele modus van de dimmer
			040○ 049	Lineaire modus van de dimmer
			050○ 059	Zwenken/kantelen snelle modus
			060○ 069	Zwenken/kantelen normale modus
			070○ 079	Verduistering tijdens zwenken/kantelen (3 sec vasthouden)
			080○ 089	Uitschakelen zwenk-/kantelverduistering (3 sec vasthouden)
			090○ 099	Verduistering van kleurwielbeweging (3 sec vasthouden)
			100○ 109	Uitschakelen kleurwielverduistering (3 sec vasthouden)
			110○ 119	Verduistering van beweging van gobowielen (3 sec vasthouden)
			120○ 129	Uitschakelen gobowielverduistering (3 sec vasthouden)
			130○ 139	Lamp aan
			140○ 149	Resetten zwenken/kantelen
			150○ 159	Kleurwiel reset
			160○ 169	Gobowiel reset
			170○ 179	Resetten sluiters/prisma
			180○ 189	Geen functie
			190○ 199	Frost/focus/zoom reset
			200○ 209	Reset alle
			210○ 219	Alle functies verduisteren tijdens zwenken/kantelen
			220○ 229	Alle functies verduisteren uitschakelen tijdens zwenken/kantelen
			230○ 239	Lamp uit
			240○ 247	Aanloopsnelheid zwenk-/kantelbeweging, verhogen aan
			248○ 255	Aanloopsnelheid zwenk-/kantelbeweging, verhogen uit

Contact Us WORLD HEADQUARTERS - Chauvet**General Information**

Address: 5200 NW 108th Avenue
Sunrise, FL 33351
Voice: (954) 577-4455
Fax: (954) 929-5560
Toll free: (800) 762-1084

Technical Support

Voice: (954) 577-4455 (Press 4)
Fax: (954) 756-8015
Email: tech@chauvetlighting.com

World Wide Web

www.chauvetlighting.com

UNITED KINGDOM AND IRELAND - Chauvet Europe Ltd.**General Information**

Address: Unit 1C
Brookhill Road Industrial Estate
Pinxton, Nottingham, UK
NG16 6NT
Voice: +44 (0)1773 511115
Fax: +44 (0)1773 511110

Technical Support

Email: uktech@chauvetlighting.com

World Wide Web

www.chauvetlighting.co.uk

MEXICO - Chauvet Mexico**General Information**

Address: Av. Santa Ana 30
Parque Industrial Lerma
Lerma, Mexico C.P. 52000
Voice: +52 (728) 285-5000

Technical Support

Email: servicio@chauvet.com.mx

World Wide Web

www.chauvet.com.mx

CHAUVET EUROPE - Chauvet Europe BVBA**General Information**

Address: Stokstraat 18
9770 Kruishoutem
Belgium
Voice: +32 9 388 93 97

Technical Support

Email: Eutech@chauvetlighting.eu

World Wide Web

www.chauvetlighting.eu

Outside the U.S., United Kingdom, Ireland, Mexico, or Benelux, contact your dealer. Follow their instructions to request support or to return a product. Visit our website for contact details.



UL 1573
CSA C22.2 No. 166
E113093