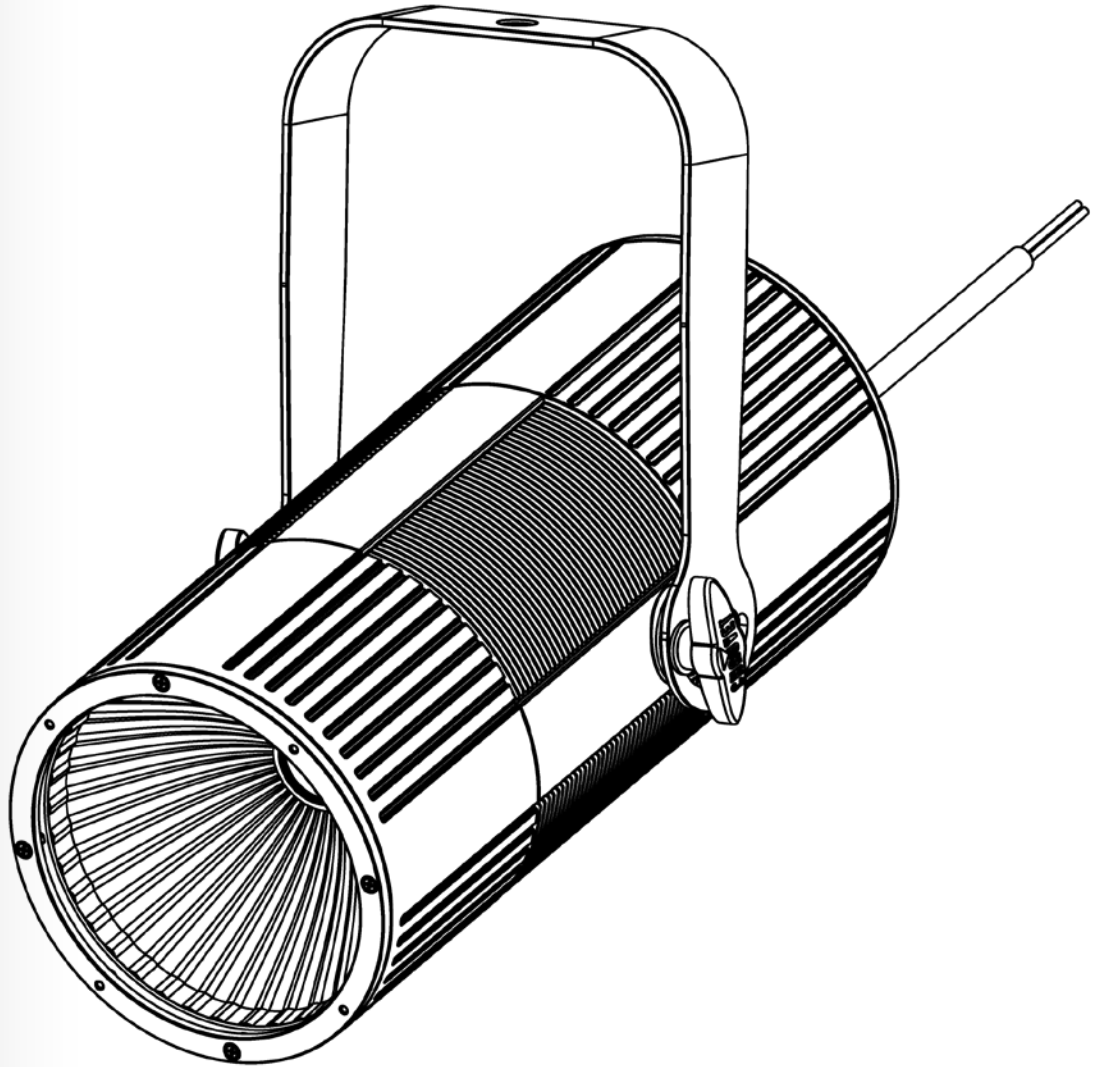


# Ovation™ H-105WW

## User Manual



  
**CHAUVET**®  
PROFESSIONAL

**Edition Notes** The Ovation™ H-105WW User Manual Rev. 2 covers the description, safety precautions, installation, programming, operation, and maintenance of the Ovation™ H-105WW. Chauvet released this edition of the Ovation™ H-105WW User Manual in April 2015.

**Trademarks** CHAUVET® is a registered trademark of CHAUVET & Sons LLC. (d/b/a CHAUVET® or Chauvet). The CHAUVET® logo in its entirety including the CHAUVET® name and the dotted triangle, and all other trademarks in this manual pertaining to services, products, or marketing statements are owned or licensed by Chauvet. Any other product names, logos, brands, company names, and other trademarks featured or referred to within this document are the property of their respective trademark holders.

**Copyright Notice** Chauvet owns the content of this User Manual in its entirety, including but not limited to pictures, logos, trademarks, and resources.

© **Copyright 2015 Chauvet. All rights reserved.**

Electronically published by Chauvet in the United States of America.

**Manual Use** Chauvet authorizes its customers to download and print this manual for professional information purposes only. Chauvet expressly prohibits the usage, copy, storage, distribution, modification, or printing of this manual or its content for any other purpose without written consent from Chauvet.

**Document Printing** For better results, print this document in color, on letter size paper (8.5 x 11 in), double-sided. If using A4 paper (210 x 297 mm), configure your printer to scale the content accordingly.

**Intended Audience** Any person in charge of installing, operating, and/or maintaining this product should completely read through the guide that shipped with the product, as well as this manual, before installing, operating, or maintaining this product.

**Disclaimer** Chauvet believes that the information contained in this manual is accurate in all respects. However, Chauvet assumes no responsibility for any errors or omissions in this document. Chauvet reserves the right to revise and make changes to the content of this document without obligation that Chauvet notify any person or company of such revision or changes. This does not in any way constitute a commitment by Chauvet to make such changes. Chauvet may issue a revision of this manual or a new edition to incorporate such changes.

**Document Revision** The Ovation™ H-105WW User Manual Rev. 2 supersedes all previous versions of this manual. Discard any older versions of this manual and replace with this version. Go to [www.chauvetprofessional.com](http://www.chauvetprofessional.com) for the latest version.

Author	Date	Editor	Date
D. Coupepe	4/1/15	M. Trouard	4/9/15

# Table of Contents

- 1. Before You Begin ..... 1**
  - What Is Included ..... 1
    - Claims ..... 1
    - Manual Conventions ..... 1
    - Symbols ..... 1
  - Product At A Glance ..... 2
  - Safety Notes ..... 2
    - Personal Safety ..... 2
    - Mounting And Rigging ..... 2
    - Power And Wiring ..... 2
    - Operation ..... 2
  - Expected LED Lifespan ..... 2
- 2. Introduction ..... 3**
  - Description ..... 3
  - Features ..... 3
  - Overview ..... 4
  - Dimensions ..... 5
- 3. Setup ..... 6**
  - AC Power ..... 6
    - AC Plug ..... 6
    - Fuse Replacement ..... 6
  - DMX Linking ..... 7
    - DMX Personalities ..... 7
  - Remote Device Management (RDM) ..... 7
    - Master/Slave Connectivity ..... 7
  - Mounting ..... 8
    - Orientation ..... 8
    - Rigging ..... 8
    - Procedure ..... 8
- 4. Operation ..... 9**
  - Control Panel Description ..... 9
  - Control Options ..... 9
  - Programming ..... 9
  - Turning RDM On/Off ..... 9
  - Menu Map ..... 10
  - DMX Values ..... 11
  - Configuration (Standalone) ..... 12
    - Automatic Programs ..... 12
    - Manual Static Mode ..... 12
    - Master/Slave ..... 12
    - Dimming Modes ..... 12
    - Backlight ..... 12
    - Product Temperature ..... 12
    - Software Information ..... 13
    - Fixture Hours ..... 13
    - LED Frequency ..... 13
    - LED Test ..... 13
    - Emergency Mode ..... 13
  - Configuration (DMX) ..... 13
    - DMX Personality ..... 13
    - DMX Control ..... 13

---

<b>5. Technical Information .....</b>	<b>14</b>
Product Maintenance.....	14
<b>6. Technical Specifications.....</b>	<b>15</b>
Returns .....	16
<b>Contact Us .....</b>	<b>17</b>

# 1. BEFORE YOU BEGIN

- What Is Included**
- Ovation™ H-105WW
  - 42°, 30°, and 15° Lenses
  - Egg Crate
  - Warranty Card
  - Quick Reference Guide

**Claims** Carefully unpack the product immediately and check the box to make sure all the parts are in the package and are in good condition.




If the box or the contents (the product and included accessories) appear damaged from shipping or show signs of mishandling, notify the carrier immediately, not Chauvet. Failure to report damage to the carrier immediately may invalidate your claim. In addition, keep the box and contents for inspection.

For other issues, such as missing components or parts, damage not related to shipping, or concealed damage, file a claim with Chauvet within 7 days of delivery.

**Manual Conventions**

Convention	Meaning
1–512	A range of values in the text
50/60	A set of mutually exclusive values in the text
<SET>	A button on the product’s control panel
Settings	A product function or a menu option
MENU>Settings	A sequence of menu options
1–10	A range of menu values from which to choose in a menu
Yes/No	A set of two mutually exclusive menu options in a menu
ON	A unique value to be entered or selected in a menu

**Symbols**

Symbols	Meaning
	Critical installation, configuration, or operation information. Failure to comply with this information may cause the product not to work, damage third-party equipment, or cause harm to the operator.
	Important installation or configuration information. Failure to comply with this information may keep the product from working.
	Useful information.



The term “DMX” used throughout this manual refers to the USITT DMX512-A digital data transmission protocol.

<b>Product At A Glance</b>	Use on Dimmer	X	Auto Programs	P
	Outdoor Use	X	Auto-Ranging Power Supply	P
	Master/Slave	P	Replaceable Fuse	P
	DMX	P	User-Serviceable	X

**Safety Notes**

Read all the following Safety Notes before working with this product. These notes include important information about the installation, usage, and maintenance of this product.



**This product contains no user-serviceable parts. Any reference to servicing in this User Manual will only apply to properly trained Chauvet certified technicians. Do not open the housing or attempt any repairs.**



**All applicable local codes and regulations apply to proper installation of this product.**

**Personal Safety**

- Avoid direct eye exposure to the light source while the product is on.
- Always disconnect this product from its power source before servicing.
- Always connect this product to a grounded circuit to avoid the risk of electrocution.
- Do not touch this product's housing during operation because it may be very hot.

**Mounting And Rigging**

- This product is for indoor use only! To prevent risk of fire or shock, do not expose this product to rain or moisture. (IP20)
- CAUTION: When transferring product from extreme temperature environments, (e.g. cold truck to warm humid ballroom) condensation may form on the internal electronics of the product. To avoid causing a failure, allow product to fully acclimate to the surrounding environment before connecting it to power.
- Mount this product in a location with adequate ventilation, at least 20 in (50 cm) from adjacent surfaces.
- This product weighs 14.2 lb (6.5 kg). Always ask for help when mounting this product to avoid personal injuries or damage to the product.
- Make sure there are no flammable materials close to this product while it is operating.
- When hanging this product, always secure to a fastening device using a safety cable.

**Power And Wiring**

- Always make sure you are connecting this product to the proper voltage in accordance with the specifications in this manual or on the product's specification label.
- To eliminate unnecessary wear and improve its lifespan, during periods of non-use completely disconnect the product from power via breaker or by unplugging it.
- Never connect this product to a dimmer pack or rheostat.
- Never disconnect this product by pulling or tugging on the power cable.

**Operation**

- Do not operate this product if you see damage on the housing, lenses, or cables. Have the damaged parts replaced by an authorized technician at once.
- Do not cover the ventilation slots when operating to avoid internal overheating.
- The maximum ambient temperature is 113 °F (45 °C). Do not operate this product at a higher temperature.
- In case of a serious operating problem, stop using this product immediately!



**Expected LED Lifespan**

**In the unlikely event that your Chauvet product may require service, contact Chauvet Technical Support.**

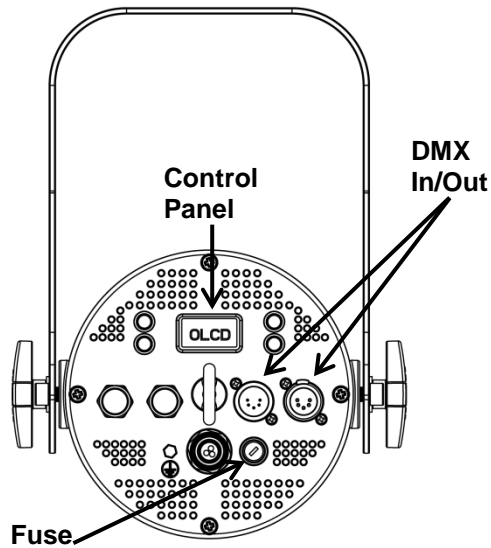
LEDs gradually decline in brightness over time, mostly because of heat. Packaged in clusters, LEDs exhibit higher operating temperatures than in ideal, single-LED conditions. For this reason, using clustered LEDs at their fullest intensity significantly reduces the LEDs' lifespan. Under normal conditions, this lifespan can be 40,000 to 50,000 hours. If extending this lifespan is vital, lower the operating temperature by improving the ventilation around the product and reducing the ambient temperature to an optimal operating range. In addition, limiting the overall projection intensity may also help to extend the LEDs' lifespan.

## 2. INTRODUCTION

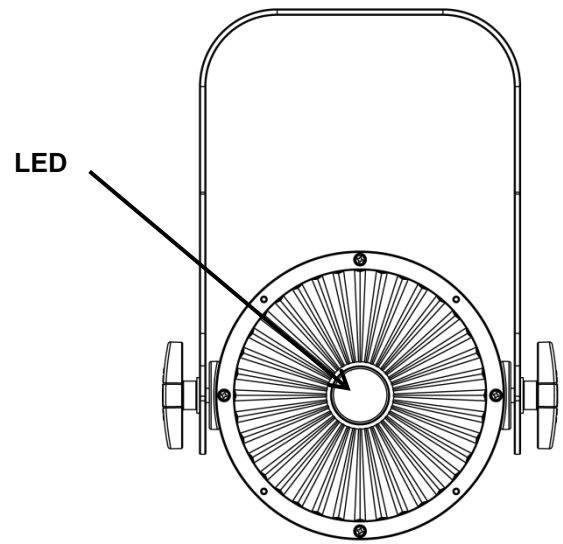
**Description** The Ovation™ H-105WW is a silent LED house light that features COB LED technology for flat, and even, fields of light. It comes standard with interchangeable lenses for adjustments for differing heights, 5-pin DMX and install terminals for permanent and temporary installations. The product also features 16-bit dimming response, remote device management, and has adjustable PWM (pulse width modulation) to avoid flickering in filmed environments.

- Features**
- 1, 2, or 4-channel Warm White LED wash product
  - Operating modes:
    - 1-channel: dimmer
    - 2-channel: 16-bit dimmer
    - 4-channel: 16-bit dimmer, strobe, strobe speed
  - COB LED technology delivers even, flattering, warm white light
  - Interchangeable lens plates to adapt to different mounting heights
  - 5-pin XLR and terminal blocks for DMX connections
  - Use included yoke for pipe mounting, or suspend from integrated safety loop
  - Convection cooled for completely silent operation
  - 16-bit dimming for ultra-smooth fades
  - RDM (Remote Device Management) for added programming flexibility
  - Adjustable PWM (Pulse Width Modulation) to avoid flickering on camera

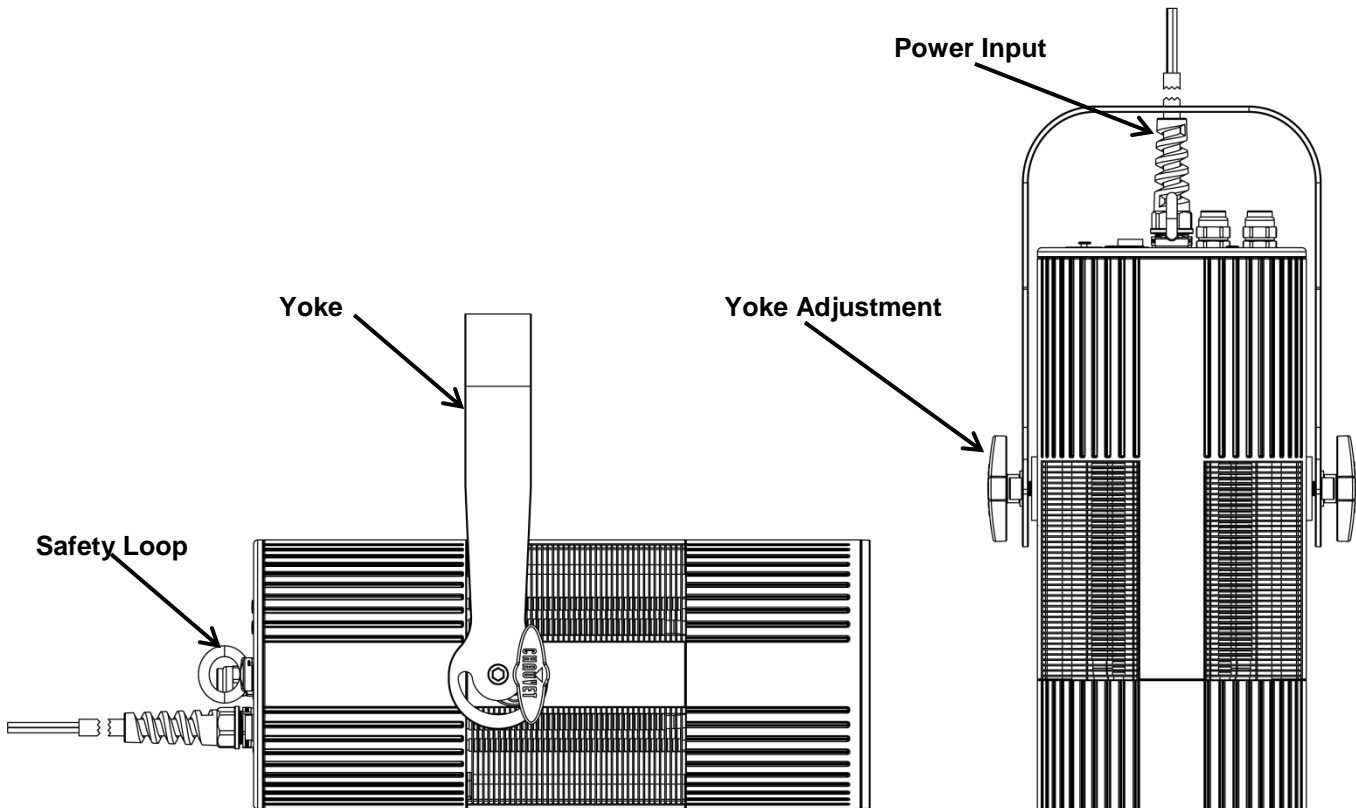
## Overview



Rear View



Front View

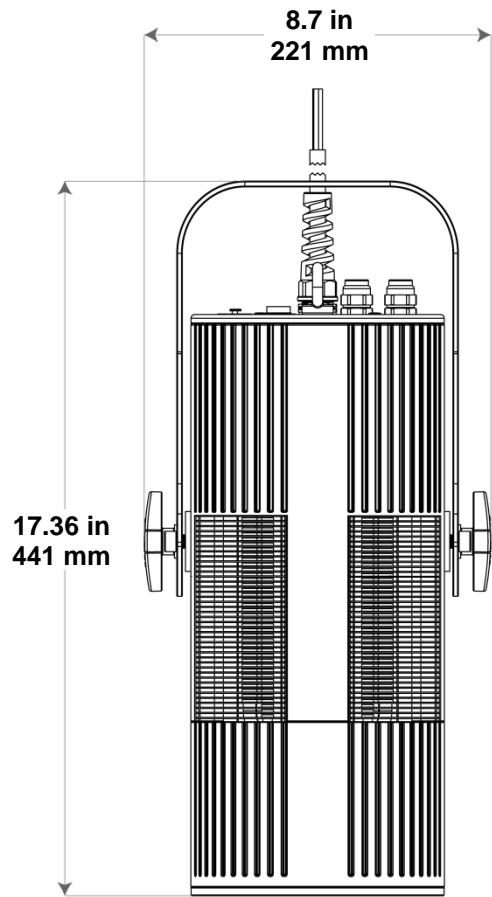


Side View

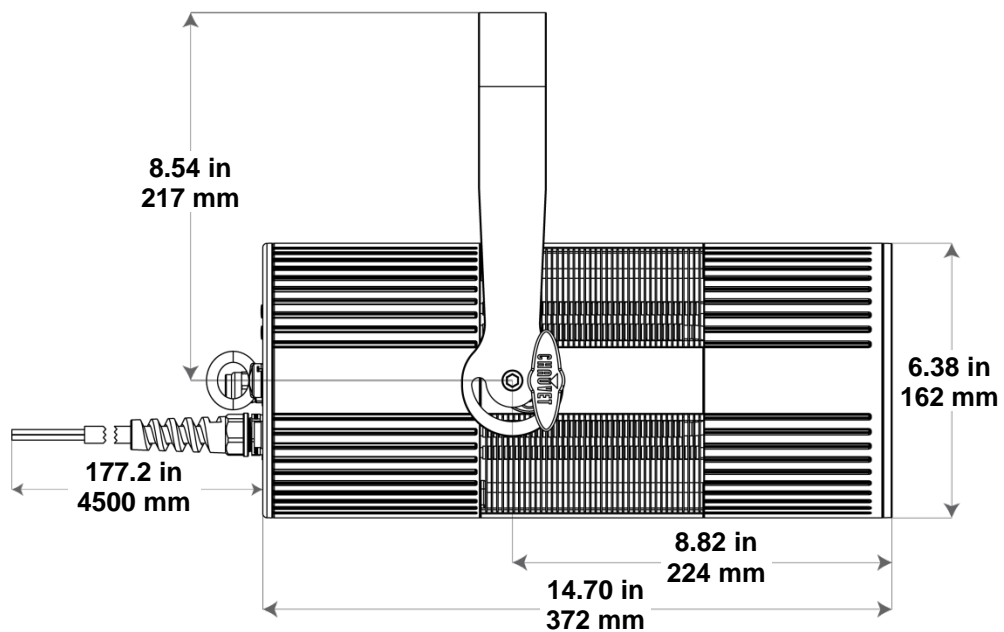
Top View



## Dimensions



Top View



Side View

## 3. SETUP

### AC Power

Each Ovation™ H-105WW has an auto-ranging power supply that works with an input voltage range of 100 to 240 VAC, 50/60 Hz. To determine the power requirements for each Ovation™ H-105WW, refer to the label affixed to the product. You can also refer to the [Technical Specifications](#) chart in this manual.

The listed current rating indicates the maximum current draw during normal operation. For more information, you may download Sizing Circuit Breakers from the Chauvet website: [www.chauvetprofessional.com](http://www.chauvetprofessional.com)



- **Always connect this product to a protected circuit with an appropriate electrical ground to avoid the risk of electrocution or fire.**

- **To eliminate unnecessary wear and improve its lifespan, during periods of non-use completely disconnect the product from power via breaker or by unplugging it.**



- **Never connect this product to a rheostat (variable resistor) or dimmer circuit, even if the rheostat or dimmer channel serves only as a 0 to 100% switch.**

### AC Plug

The Ovation™ H-105WW comes with a bare ended power input cord. The product side of this power cord enters the product through a strain reliever (rubber boot) and it cannot be disconnected from the product. Use the table below to wire the plug to the power cord.

Connection	Wire (U.S.)	Wire (Europe)	Screw Color
AC Live	Black	Brown	Yellow or Brass
AC Neutral	White	Blue	Silver
AC Ground	Green/Yellow	Green/Yellow	Green



**The Ovation™ H-105WW includes a 15 ft., (4.5 m) cable attached to allow for pendent mounting.**

### Fuse Replacement

1. Disconnect this product from the power outlet.
2. Using a flat-head screwdriver, unscrew the fuse holder cap from the housing.
3. Remove the blown fuse and replace with another fuse of the same type and rating (T 2 A, 250 V).
4. Screw the fuse holder cap back in place and reconnect power.



**Make sure to disconnect the product's power cord before replacing a blown fuse. Always replace the blown fuse with another of the same type and rating.**

**DMX Linking** You can link the Ovation™ H-105WW to a DMX controller using a 5-pin DMX connection. If using other DMX-compatible products with the Ovation™ H-105WW, you can control each individually with a single DMX controller.

**DMX Personalities** The Ovation™ H-105WW uses a 5-pin DMX data connection for the 1-, 2- and 4-channel DMX personalities.

- Refer to the [Introduction](#) chapter for a brief description of each DMX personality.
- Refer to the [Operation](#) chapter to learn how to configure the Ovation™ H-105WW to work in these personalities.
- The [DMX Values](#) section provides you with detailed information regarding the DMX personalities.



**If you are not familiar with or need more information about DMX standards, Master/Slave connectivity, or the DMX cables needed to link this product to a DMX controller, download the DMX Primer from the Chauvet website: [www.chauvetprofessional.com](http://www.chauvetprofessional.com).**

## Remote Device Management (RDM)

Remote Device Management, or RDM, is a standard for allowing DMX-enabled devices to communicate bi-directionally along existing DMX cabling. Check the DMX controller's User Manual or with the manufacturer as not all DMX controllers have this capability. The Ovation™ H-105WW supports RDM protocol that allows feedback to make changes to **DMX Address** and **DMX Channel** menu map options as well as allowing you to monitor the **Temperature**. Please refer to [RDM On/Off](#) to enable/disable this function.

## Master/Slave Connectivity

The Master/Slave mode allows a Ovation™ H-105WW (the master) to control one or more Ovation™ H-105WWs (the slaves) without a DMX controller. One Ovation™ H-105WW becomes the master when running an auto program, or by being in a Static mode. You must configure each slave's control panel to operate in Slave mode. During Master/Slave operation, the slaves will operate in unison with the master.



**DO NOT connect a DMX controller to products operating in Master/Slave mode. The DMX controller signals may interfere with the signals from the master.**



The [Operation](#) section of this manual provides detailed instructions on how to configure the master and slaves.



**If you are not familiar with or need more information about DMX standards, or the DMX cables needed to link this product to a DMX controller, download the DMX Primer from the Chauvet website: [www.chauvetprofessional.com](http://www.chauvetprofessional.com).**

**Mounting** Before mounting this product, read and follow the [Safety Notes](#). For our CHAUVET® Professional line of mounting clamps, go to <http://trusst.com/products/>.

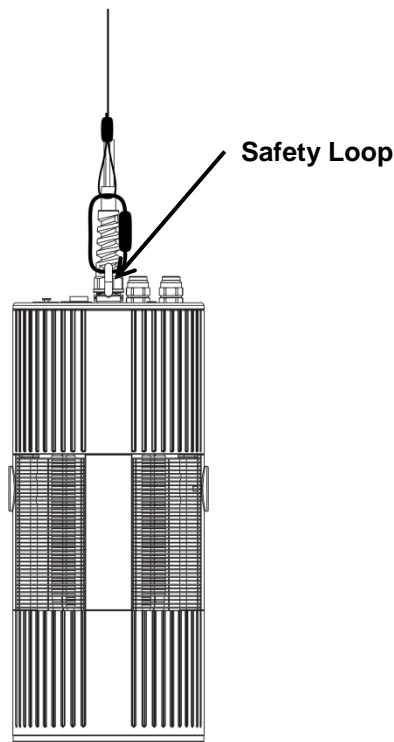
**Orientation** Always mount this product in a safe position and make sure there is adequate room for ventilation, configuration, and maintenance.

**Rigging** Chauvet recommends using the following general guidelines when mounting this product.

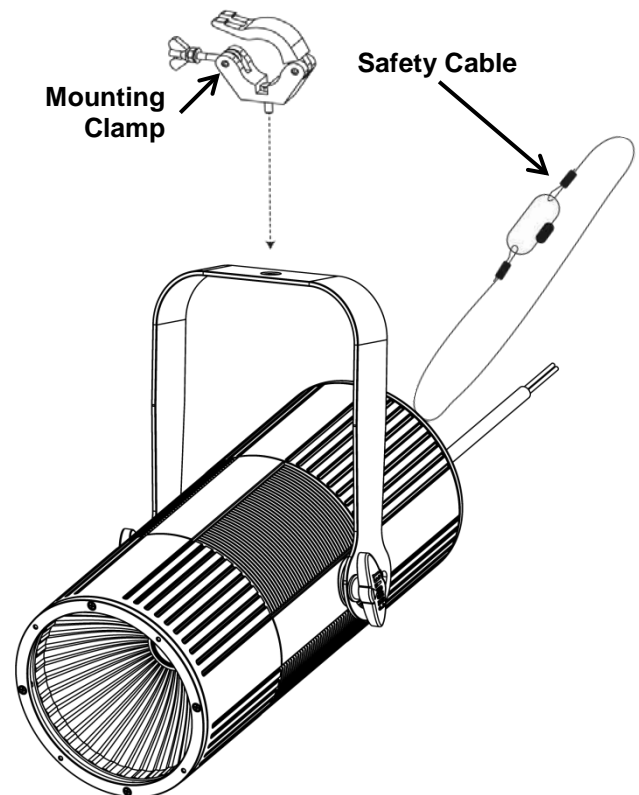
- When selecting an installation location, consider easy access to this product for operation, programming adjustments, and routine maintenance.
- Make sure to mount this product away from any flammable material as indicated in the [Safety Notes](#).
- Never mount in places where rain, high humidity, extreme temperature changes, or restricted ventilation may affect the product.
- If hanging this product, make sure that the mounting location can support the product's weight. See the [Technical Specifications](#) for the weight-bearing requirements of this product.
- When hanging this product, always secure to a fastening device using a safety cable. For our CHAUVET® Professional line of safety cables, go to <http://trusst.com/products/>.

**Procedure** The Ovation™ H-105WW comes with a yoke to which you can attach a mounting clamp for hanging or you may attach a cable to the safety loop located directly center of the back panel for pendent mounting. You must supply your own mounting clamp or cable. Make sure the clamps are capable of supporting the weight of this product. Use at least one mounting point per product. For our Chauvet line of mounting clamps, go to <http://trusst.com/products/>.

Mounting Diagram



Pendent Mounting



Overhead Mounting

## 4. OPERATION

Control Panel Description	Button	Function
	<MENU>	Exits from the current menu or function
	<ENTER>	Enables the currently displayed menu or sets the currently selected value in to the current function
	<UP>	Navigates upward through the menu list or increases the numeric value when in a function
	<DOWN>	Navigates downward through the menu list or decreases the numeric value when in a function

### Control Options

You can set the Ovation™ H-105WW starting address in the **001–512** DMX range. This enables control of up to 128 products in the 4-channel **4 Ch** personality.

### Programming

Refer to the [Menu Map](#) to understand the menu options. The menu map shows the main level and a variable number of programming levels for each option.

- To go to the desired main level, press **<MENU>** repeatedly until the option shows on the display. Press **<ENTER>** to select. This will take you to the first programming level for that option.
- To select an option or value within the current programming level, press **<UP>** or **<DOWN>** until the option shows on the display. Press **<ENTER>** to select. In this case, if there is another programming level, you will see that first option, or you will see the selected value.
- Press **<MENU>** repeatedly to exit to the previous main level.

### Turning RDM On/Off

The Ovation™ H-105WW RDM protocol allows feedback to make changes to the **DMX Address** and the **DMX Channel** menu map options as well as allowing you to monitor the **Temperature** from your RDM compatible DMX console.

1. Go to the **RDM Function** main level.
2. Select **On** or **Off**.

## Menu Map

Main Level	Programming Levels			Description
<b>Auto Show</b>	<b>Auto 0–3</b>	<b>Speed</b>	<b>0–100</b>	Selects automatic programs and auto program speed
<b>Static</b>	<b>Dimmer</b>	<b>0–255</b>		Controls intensity
	<b>Strobe</b>	<b>0–255</b>		Controls strobe rate
<b>Dimmer Mode</b>	<b>Off</b>			No dimmer
	<b>Dimmer 1–3</b>			Dimming curves <b>Dimmer 1</b> (fast) to <b>Dimmer 3</b> (slow)
<b>Back Light</b>	<b>10S</b>			Turns off display backlight after 10 sec of inactivity
	<b>20S</b>			Turns off display backlight after 20 sec of inactivity
	<b>30S</b>			Turns off display backlight after 30 sec of inactivity
	<b>On</b>			Display backlight always on
<b>Information</b>	<b>Auto</b>	<b>Test</b>		Turns on all LEDs in sequence for testing
	<b>Fixture Hours</b>			Shows total product hours
	<b>Version</b>			Shows installed software version
	Shows which mode is actively running in the product			
<b>DMX Address</b>	<b>001–512</b>			Selects DMX address (highest channel restricted to personality chosen)
<b>DMX Channel</b>	<b>1 Ch</b>			1-channel: dimmer
	<b>2 Ch</b>			2-channel: 16-bit dimmer
	<b>4 Ch</b>			4-channel: 16-bit dimmer, strobe, strobe speed
<b>Master/Slave Mode</b>	<b>Master</b>			DMX mode (Master)
	<b>Slave</b>			Slave mode
<b>Temperature</b>	<b>XX° C</b>			Shows product's temperature (°C)
<b>LED Frequency</b>	<b>600Hz</b>			Selects the PWM output frequency
	<b>1200Hz</b>			
	<b>2000Hz</b>			
	<b>4000Hz</b>			
	<b>25Khz</b>			
<b>Emergency Mode</b>	<b>Off</b>			No action is taken when DMX signal is lost
	<b>On</b>			Turns product on when DMX signal is lost
<b>RDM Function</b>	<b>Off</b>			Activates/deactivates the Remote Device Management option
	<b>On</b>			

**DMX Values**

1 Ch	Channel	Function	Value	Percent/Setting
	1	Dimmer	000 ó 255	0–100%
2 Ch	Channel	Function	Value	Percent/Setting
	1	Dimmer	000 ó 255	0–100%
	2	Dimmer Fine	000 ó 255	Fine control (16-bit)
4 Ch	Channel	Function	Value	Percent/Setting
	1	Dimmer	000 ó 255	0–100%
	2	Dimmer Fine	000 ó 255	Fine control (16-bit)
	3	Strobe Speed	000 ó 005 006 ó 255	No function Strobe (slow to fast)
	4	Strobe	000 ó 005 006 ó 042 043 ó 085 086 ó 128 129 ó 171 172 ó 214 215 ó 255	No function Ramp up Ramp down Ramp up/ramp down Random strobe Lighting effect Spike effect

## Configuration (Standalone)

Use standalone configuration to operate the product without a DMX controller.

### Automatic Programs

Automatic programs allow for dynamic mixing without a DMX controller.

1. Go to the **Auto Show** main level.
2. Select the desired automatic (**Auto 0–3**) program.
3. Go to the **Speed** programming level.
4. Select the desired speed **0–100**.



**You cannot edit any of the auto programs (Auto 0–3).**

### Manual Static Mode

The Manual Static mode allows for manual control of intensity and strobe rate without a DMX controller.

1. Go to the **Static** main level.
2. Select the **Dimmer** programming level.
3. Select the desired intensity value **0–255** (0–100%).
4. Go to the **Strobe** programming option.
5. Select the desired Strobe rate value **0–255** (0–25 Hz).

### Master/Slave

The Master/Slave mode allows a group of Ovation™ H-105WWs (the slaves) to simultaneously duplicate the output of another Ovation™ H-105WW (the master) without a DMX controller.

1. Set each of the slaves:
  - a. Go to the **Master/Slave Mode** main level.
  - b. Select **Slave**.
2. Set the master:
  - a. Go to the **Master/Slave Mode** main level.
  - b. Select **Master**.
  - c. Select an automatic program as explained in [Automatic Programs](#), or a static mix as explained in [Manual Static Mode](#).



- **The master is the one that runs a program whether in [Automatic Programs](#) or [Manual Static Mode](#).**
- **Do not connect a DMX controller to the products configured for Master/Slave operation. The DMX controller may interfere with signals from the master.**
- **The master should be the first product in the daisy chain.**

### Dimming Modes

This setting provides three different options to simulate the dimming curve of an incandescent lighting product.

1. Go to the **Dimmer Mode** main level.
2. Select a dimmer curve (**OFF**, **Dimmer 1**, **Dimmer 2**, or **Dimmer 3**).



- OFF:** The output is proportional (linear) to the dimmer.
- DIM 1–3:** The output follows the dimmer based on the corresponding dimmer curve, **Dimmer 1** being the fastest and **Dimmer 3** the slowest.

### Backlight

This setting allows you to set the amount of time the backlight on the Ovation™ H-105WW's display stays on after the last button is pressed on the control panel.

1. Go to the **Back Lite** main level.
2. Select **On** (remains on), **10S** (10 seconds), **20S** (20 seconds), or **30S** (30 seconds).

### Product Temperature

This option shows the temperature (°C) of the Ovation™ H-105WW.

- Go to the **Temp** main level.



**Software Information** This option shows what version of software the Ovation™ H-105WW is running.  
 1. Go to the **Information** main level.  
 2. Select **Version** and the version number will show on the display.

**Fixture Hours** This option shows the total amount of hours the Ovation™ H-105WW has been turned on.  
 1. Go to the **Information** main level.  
 2. Select **Fixture Hours** and the total number of hours will show on the display.

**LED Frequency** This option changes the Pulse Width Modulation (PWM) frequency of the LEDs on the Ovation™ H-105WW.  
 1. Go to the **LED Frequency** main level.  
 2. Select PWM Frequency (**600Hz, 1200Hz, 2000Hz, 4000Hz, or 25Khz**).

**LED Test** This option runs a check of the LEDs on the Ovation™ H-105WW by turning on all the LEDs in sequence.  
 1. Go to the **Information** main level.  
 2. Go to the **Auto** programming level.  
 3. Go to the **Test** programming level.

**Emergency Mode** This feature can be set to turn on the Ovation™ H-105WW in the event DMX signal is lost.  
 1. Go to the **Emergency Mode** main level.  
 2. Select **On** or **Off**.

**Configuration (DMX)** Use DMX configurations to operate the product with a DMX controller.

**DMX Personality** This setting allows you to choose a particular DMX personality.  
 1. Go to the **DMX Channel** main level.  
 2. Select the desired personality (**1 Ch, 2 Ch** or **4 Ch**).



- See the [DMX Values](#) section for the highest starting address you can select for each personality.
- Make sure that the starting addresses on the various products do not overlap due to the new personality setting.

**DMX Control** In this mode, each product will respond to a unique starting address from the DMX controller. All products with the same starting address will respond in unison.  
 1. Select a DMX personality as shown in [DMX Personality](#).  
 2. Go to the **DMX Address** main level.  
 3. Select the starting address (**001–512**).

The highest recommended starting address for each DMX mode is as follows:



DMX Personality	DMX Address
1 Ch	512
2 Ch	511
4 Ch	509

## 5. TECHNICAL INFORMATION

### **Product Maintenance**

To maintain optimum performance and minimize wear, you should clean this product frequently. Usage and environment are contributing factors in determining the cleaning frequency.

As a rule, clean this product at least twice a month. Dust build-up reduces light output performance and can cause overheating. This can lead to reduced light source life and increased mechanical wear.

To clean your product:

1. Unplug the product from power.
2. Wait until the product is at room temperature.
3. Use a vacuum (or dry compressed air) and a soft brush to remove dust collected on the external vents.
4. Clean all external surfaces with a mild solution of non-ammonia glass cleaner or isopropyl alcohol.
5. Apply the solution directly to a soft, lint-free cotton cloth or a lens cleaning tissue.
6. Wipe any dirt or grime to the outside edges of the lens surface.
7. Gently polish the lens surfaces until they are free of haze and lint.



**Always dry the external surfaces thoroughly and carefully after cleaning them.**

## 6. TECHNICAL SPECIFICATIONS

<b>Dimensions and Weight</b>	<b>Length</b>	<b>Width</b>	<b>Height</b>	<b>Weight</b>	
	17.4 in (441 mm)	8.7 in (221 mm)	6.4 in (162 mm)	14.2 lb (6.5 kg)	
<b>Note:</b> Dimensions in inches rounded to the nearest decimal digit.					
<b>Power</b>	<b>Power Supply Type</b>	<b>Range</b>		<b>Voltage Selection</b>	
	Switching (internal)	100–240 VAC, 50/60 Hz		Auto-ranging	
	<b>Parameter</b>	<b>120 VAC, 60 Hz</b>		<b>230 VAC, 50 Hz</b>	
	Consumption	109 W		110 W	
	Current	1 A		0.48 A	
	Fuse	T 2 A, 250 V		T 2 A, 250 V	
	<b>Power I/O</b>	<b>U.S./Canada</b>		<b>Worldwide</b>	
Power input connector	Hard-wired		Hard-wired		
Power output connector	Bare-wired		Bare-wired		
<b>Light Source</b>	<b>Type</b>	<b>Power</b>		<b>Lifespan</b>	
	LED	100 W		50,000 hours	
	<b>Color</b>	<b>Quantity</b>		<b>Current</b>	
Warm White	1		1.1 A		
<b>Photometrics</b>	<b>Parameter</b>	<b>15° Optics</b>	<b>30° Optics</b>	<b>42° Optics</b>	<b>60° Optics</b>
	Illuminance @ 5 m	1,725 lux	669 lux	473 lux	328 lux
	Beam angle	17°	30°	35°	41°
	Field angle	27°	49°	61°	74°
<b>Thermal</b>	<b>Max. External Temperature</b>	<b>Cooling System</b>			
	113 °F (45 °C)	Convection			
<b>DMX</b>	<b>I/O Connectors</b>	<b>Connector Type</b>		<b>Channel Range</b>	
	5-pin XLR	Sockets		1, 2 or 4	
<b>Ordering</b>	<b>Product Name</b>	<b>Item Code</b>		<b>UPC Number</b>	
	Ovation™ H-105WW	03030913		781462212612	



UL 1573  
CSA C22.2 No. 166  
E113093



**Returns** You must send the product prepaid, in the original box, and with the original packing and accessories. Chauvet will not issue call tags.

Call Chauvet and request a Return Merchandise Authorization (RMA) number before shipping the product. Be prepared to provide the model number, serial number, and a brief description of the cause(s) for the return.

Clearly label the package with an RMA number. Chauvet will refuse any product returned without an RMA number.



**DO NOT write the RMA number directly on the box. Instead, write it on a properly affixed label.**

Once you have received the RMA number, include the following information on a piece of paper inside the box:

- Your name
- Your address
- Your phone number
- The RMA number
- A brief description of the problem(s)

Be sure to pack the product properly. Any shipping damage resulting from inadequate packaging will be the customer's responsibility. FedEx packing or double-boxing is recommended.



**Chauvet reserves the right to use its own discretion to repair or replace returned product(s).**

# CONTACT Us

## **WORLD HEADQUARTERS - Chauvet**

### **General Information**

Address: 5200 NW 108th Avenue  
Sunrise, FL 33351  
Voice: (954) 577-4455  
Fax: (954) 929-5560  
Toll free: (800) 762-1084

### **Technical Support**

Voice: (954) 577-4455 (Press 4)  
Fax: (954) 756-8015  
Email: [tech@chauvetlighting.com](mailto:tech@chauvetlighting.com)

**World Wide Web** [www.chauvetlighting.com](http://www.chauvetlighting.com)

## **UNITED KINGDOM AND IRELAND - Chauvet Europe Ltd.**

### **General Information**

Address: Unit 1C  
Brookhill Road Industrial Estate  
Pinxton, Nottingham, UK  
NG16 6NT  
Voice: +44 (0)1773 511115  
Fax: +44 (0)1773 511110

### **Technical Support**

Email: [uktech@chauvetlighting.com](mailto:uktech@chauvetlighting.com)

**World Wide Web** [www.chauvetlighting.co.uk](http://www.chauvetlighting.co.uk)

## **MEXICO - Chauvet Mexico**

### **General Information**

Address: Av. Santa Ana 30  
Parque Industrial Lerma  
Lerma, Mexico C.P. 52000  
Voice: +52 (728) 285-5000

### **Technical Support**

Email: [servicio@chauvet.com.mx](mailto:servicio@chauvet.com.mx)

**World Wide Web** [www.chauvet.com.mx](http://www.chauvet.com.mx)

## **CHAUVET EUROPE - Chauvet Europe BVBA**

### **General Information**

Address: Stokstraat 18  
9770 Kruishoutem  
Belgium  
Voice: +32 9 388 93 97

### **Technical Support**

Email: [Eutech@chauvetlighting.eu](mailto:Eutech@chauvetlighting.eu)

**World Wide Web** [www.chauvetlighting.eu](http://www.chauvetlighting.eu)

Outside the U.S., United Kingdom, Ireland, Mexico, or Benelux contact the dealer of record. Follow their instructions to request support or to return a product. Visit our website for contact details.