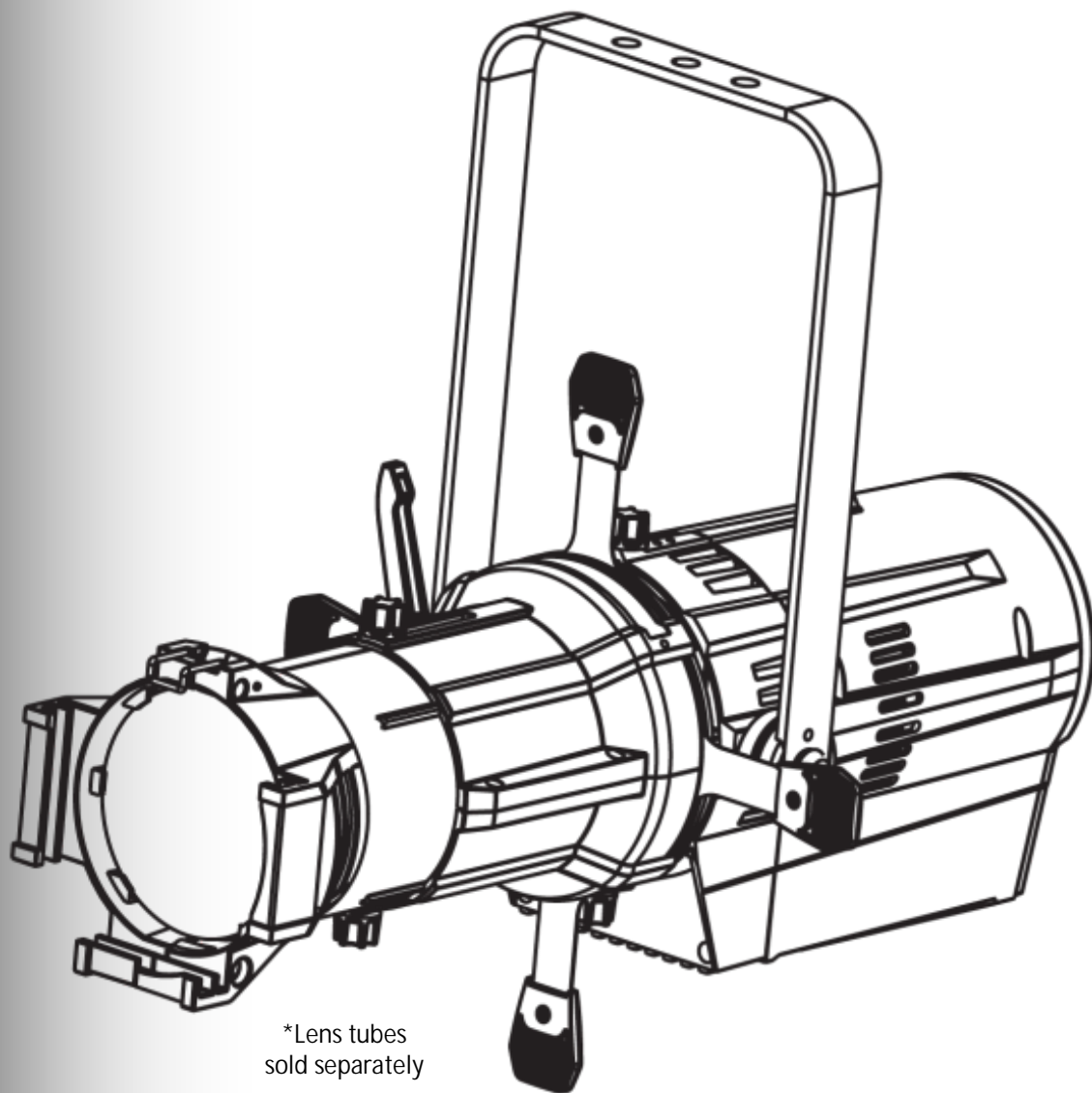


Ovation

ED-190WW

User Manual



*Lens tubes
sold separately


CHAUVET[®]
PROFESSIONAL

Edition Notes The OVATION ED-190WW User Manual Rev. 3 covers the description, safety precautions, installation, programming, operation, and maintenance of the OVATION ED-190WW. Chauvet released this edition of the OVATION ED-190WW User Manual in March 2016.

Trademarks CHAUVET® is a registered trademark of CHAUVET & Sons LLC. (d/b/a CHAUVET® or Chauvet). The CHAUVET® logo in its entirety including the CHAUVET® name and the dotted triangle, and all other trademarks in this manual pertaining to services, products, or marketing statements are owned or licensed by Chauvet. Any other product names, logos, brands, company names, and other trademarks featured or referred to within this document are the property of their respective trademark holders.

Copyright Notice Chauvet owns the content of this User Manual in its entirety, including but not limited to pictures, logos, trademarks, and resources.

© **Copyright 2016 Chauvet. All rights reserved.**

Electronically published by Chauvet in the United States of America.

Manual Use Chauvet authorizes its customers to download and print this manual for professional information purposes only. Chauvet expressly prohibits the usage, copy, storage, distribution, modification, or printing of this manual or its content for any other purpose without written consent from Chauvet.

Document Printing For better results, print this document in color, on letter size paper (8.5 x 11 in), double-sided. If using A4 paper (210 x 297 mm), configure your printer to scale the content accordingly.

Intended Audience Any person in charge of installing, operating, and/or maintaining this product should completely read through the guide that shipped with the product, as well as this manual, before installing, operating, or maintaining this product.

Disclaimer Chauvet believes that the information contained in this manual is accurate in all respects. However, Chauvet assumes no responsibility for any errors or omissions in this document. Chauvet reserves the right to revise and make changes to the content of this document without obligation that Chauvet notify any person or company of such revision or changes. This does not in any way constitute a commitment by Chauvet to make such changes. Chauvet may issue a revision of this manual or a new edition to incorporate such changes.

Document Revision The OVATION ED-190WW User Manual Rev. 3 supersedes all previous versions of this manual. Discard any older versions of this manual and replace with this version. Go to www.chauvetprofessional.com for the latest version.

Table of Contents

- 1. Before You Begin 1**
 - What Is Included 1
 - Claims 1
 - Manual Conventions 1
 - Symbols 1
 - Product At A Glance 2
 - Safety Notes 2
 - Personal Safety 2
 - Mounting And Rigging 2
 - Power And Wiring 2
 - Operation 2
 - Expected LED Lifespan 2
- 2. Introduction 3**
 - Description 3
 - Features 3
 - Lens Tube 3
 - Overview 4
 - Dimensions 5
- 3. Setup 6**
 - AC Power 6
 - AC Plug 6
 - Power Linking 6
 - Fuse Replacement 6
 - DMX Linking 7
 - DMX Personalities 7
 - Master/Slave Connectivity 7
 - Dimmer Modes 7
 - Mounting 8
 - Orientation 8
 - Rigging 8
- 4. Operation 9**
 - Control Panel Description 9
 - Control Options 9
 - Programming 9
 - Menu Map 9
 - Menu Map (Cont.) 10
 - DMX Values 10
 - DMX Personality 11
 - DMX Control 11
 - Loss of Signal Setting 11
 - Dimmer Control 11
 - Dimmer Menu Control 12
 - Dimmer Speeds 12
 - Dimmer Curves 12
 - Control Panel Lock 12
 - Passcode 12
 - Menu Access Lock 12
 - Reset 13
 - Performance Power Output Options 13
 - Focus Mode 13
 - Manual Beam Focus Control 13
 - Rotating the Barrel Assembly 13
 - Master/Slave Mode 14

Table of Contents

Gobo Slot	14
Accessory Slot.....	14
5. Technical Information	15
Product Maintenance	15
Cleaning the Light Engine Lens.....	15
6. Technical Specifications.....	16
Returns	17
Contact Us	18

1. BEFORE YOU BEGIN




- What Is Included**
- OVATION ED-190WW
 - Neutrik® powerCON® power cord
 - Warranty Card
 - Quick Reference Guide

Claims Carefully unpack the product immediately and check the box to make sure all the parts are in the package and are in good condition. If the box or the contents (the product and included accessories) appear damaged from shipping or show signs of mishandling, notify the carrier immediately, not Chauvet. Failure to report damage to the carrier immediately may invalidate your claim. In addition, keep the box and contents for inspection. For other issues, such as missing components or parts, damage not related to shipping, or concealed damage, file a claim with Chauvet within 7 days of delivery.

Manual Conventions

Convention	Meaning
1–512	A range of values in the text
50/60	A set of mutually exclusive values in the text
<SET>	A button on the product’s control panel
Settings	A product function or a menu option
MENU>Settings	A sequence of menu options
1–10	A range of menu values from which to choose in a menu
Yes/No	A set of two mutually exclusive menu options in a menu
ON	A unique value to be entered or selected in a menu

Symbols

Symbols	Meaning
	Critical installation, configuration, or operation information. Failure to comply with this information may cause the product not to work, damage third-party equipment, or cause harm to the operator.
	Important installation or configuration information. Failure to comply with this information may keep the product from working.
	Useful information.



The term “DMX” used throughout this manual refers to the USITT DMX512-A digital data transmission protocol.

Product At A Glance	Use on Dimmer	P	Auto Programs	X
	Outdoor Use	X	Switchable Power Supply 120 or 230 VAC	P
	Master/Slave	P	Replaceable Fuse	P
	DMX	P	User-Serviceable	X

Safety Notes

Read all the following Safety Notes before working with this product. These notes include important information about the installation, usage, and maintenance of this product.



This product contains no user-serviceable parts. Any reference to servicing in this User Manual will only apply to properly trained Chauvet certified technicians. Do not open the housing or attempt any repairs.



All applicable local codes and regulations apply to proper installation of this product.

Personal Safety

- Avoid direct eye exposure to the light source while the product is on.
- Always disconnect this product from its power source before servicing.
- Always connect this product to a grounded circuit to avoid the risk of electrocution.
- Do not touch this product's housing during operation because it may be very hot.

Mounting And Rigging

- This product is for indoor use only! To prevent risk of fire or shock, do not expose this product to rain or moisture. (IP20)
- CAUTION: When transferring product from extreme temperature environments, (e.g. cold truck to warm humid ballroom) condensation may form on the internal electronics of the product. To avoid causing a failure, allow product to fully acclimate to the surrounding environment before connecting it to power.
- Mount this product in a location with adequate ventilation, at least 20 in (50 cm) from adjacent surfaces.
- Make sure there are no flammable materials close to this product while it is operating.
- When hanging this product, always secure to a fastening device using a safety cable.
- Use caution when loosening the barrel rotation knobs. If these knobs become too loose, the barrel assembly may inadvertently separate from the Light Engine.

Power And Wiring

- Always make sure you are connecting this product to the proper voltage in accordance with the specifications in this manual or on the product's specification label.
- To eliminate unnecessary wear and improve its lifespan, during periods of non-use completely disconnect the product from power via breaker or by unplugging it.
- Never disconnect this product by pulling or tugging on the power cable.

Operation

- Do not operate this product if you see damage on the housing, lenses, or cables. Have the damaged parts replaced by an authorized technician at once.
- Do not cover the ventilation slots when operating to avoid internal overheating.
- The maximum ambient temperature is 113 °F (45 °C). Do not operate this product at a higher temperature.
- In case of a serious operating problem, stop using this product immediately!



Expected LED Lifespan

In the unlikely event that your Chauvet product may require service, contact Chauvet Technical Support.

LEDs gradually decline in brightness over time, mostly because of heat. Packaged in clusters, LEDs exhibit higher operating temperatures than in ideal, single-LED conditions. For this reason, using clustered LEDs at their fullest intensity significantly reduces the LEDs' lifespan. Under normal conditions, this lifespan can be 90,000 to 100,000 hours. If extending this lifespan is vital, lower the operating temperature by improving the ventilation around the product and reducing the ambient temperature to an optimal operating range. In addition, limiting the overall projection intensity may also help to extend the LEDs' lifespan.

2. INTRODUCTION

Description The OVATION ED-190WW ellipsoidal spot is a high-power LED based product that runs when connected directly to constant power and DMX, or on any dimming power source. Advanced onboard electronics automatically detect what type of power and data the product receives and it responds accordingly. The OVATION ED-190WW delivers white light with a warm color temperature and a flat field. It also features standard beam shaping shutters, a gobo/effect slot and lens barrels that are interchangeable with other ERS products. It performs as well as the original OVATION ED-190WW with the same output and dimming performance.

- Features**
- Warm white LED ERS-style lighting product
 - Operating modes:
 - 1-channel (UNO): dimmer control
 - 2-channel (DOS): dimmer and fine dimmer control
 - 3-channel (STD.P): dimmer, fine dimmer, and strobe control
 - Accessory slot for motorized gobo devices and iris unit
 - 16-bit dimming resolution (DMX mode) for smooth fades
 - Flat, even field of light
 - Comes with standard pattern slot for glass or steel patterns and soft focus diffuser
 - Virtually silent operation for use in any situation
 - Works perfectly with industry standard lens tubes
 - Simple and complex DMX channel profiles for programming versatility
 - 3- and 5-pin XLR data input and output connectors
 - Works perfectly on conventional dimmers or constant power with DMX
 - Auto-senses what kind of system (conventional dimmers or constant power with DMX) and responds appropriately
 - Superior low end dimming whether using dimmers or constant power
 - Perfect product for the retrofit market, utilizes existing infrastructure flawlessly

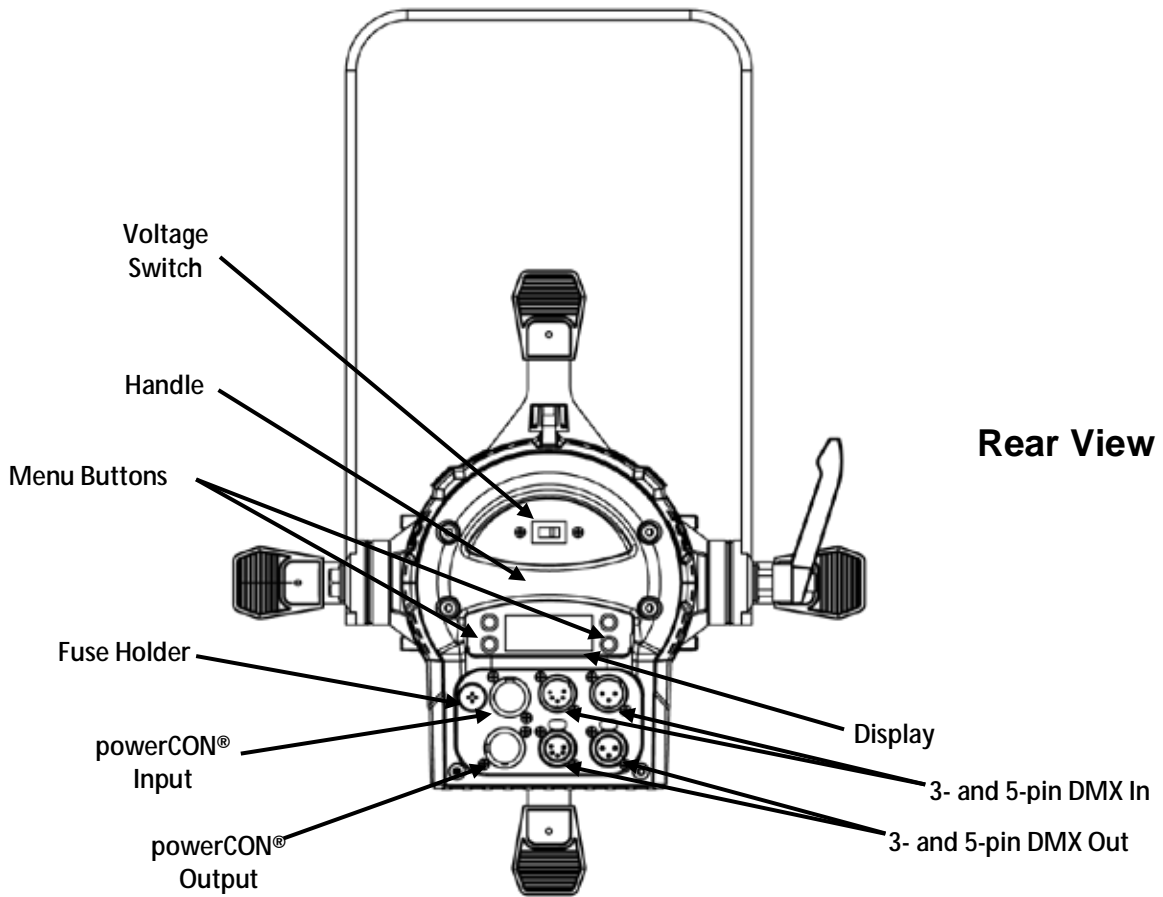
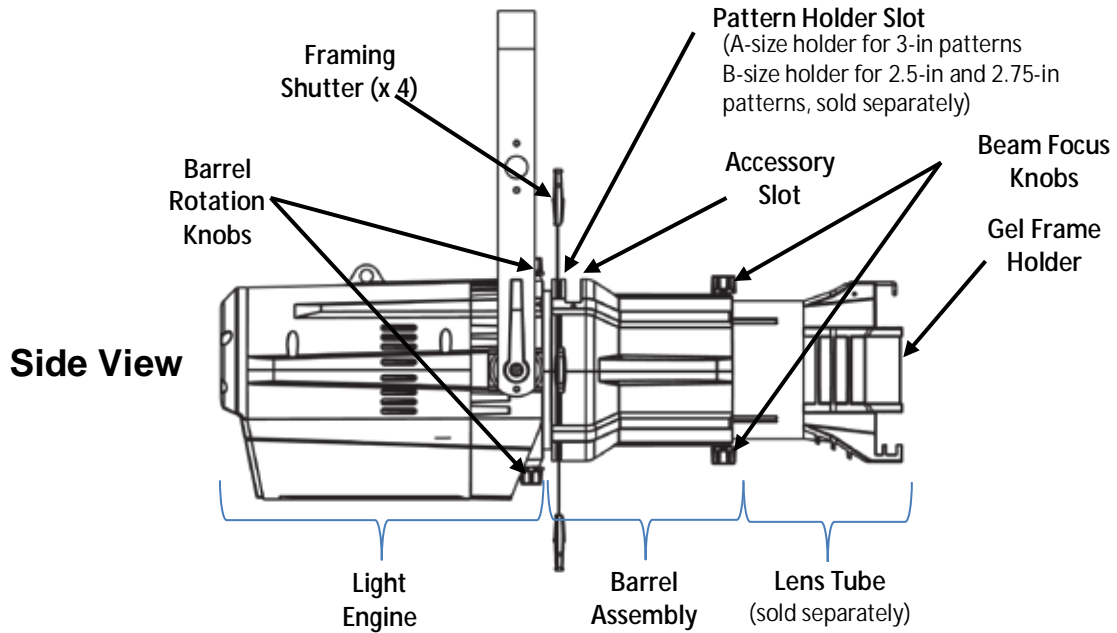
Lens Tube The following lens tubes are available for purchase.

- 19° w/ Gel frame (6.25 in/159 mm accessories)
- 26° w/ Gel frame (6.25 in/159 mm accessories)
- 36° w/ Gel frame (6.25 in/159 mm accessories)
- 50° w/ Gel frame (6.25 in/159 mm accessories)
- 15°–30° w/ Gel frame (7.5 in/191 mm accessories)
- 25°–50° w/ Gel frame (7.5 in/191 mm accessories)

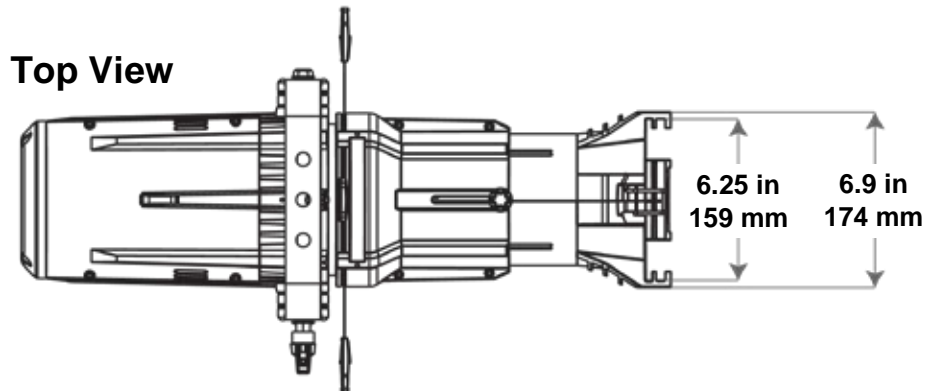
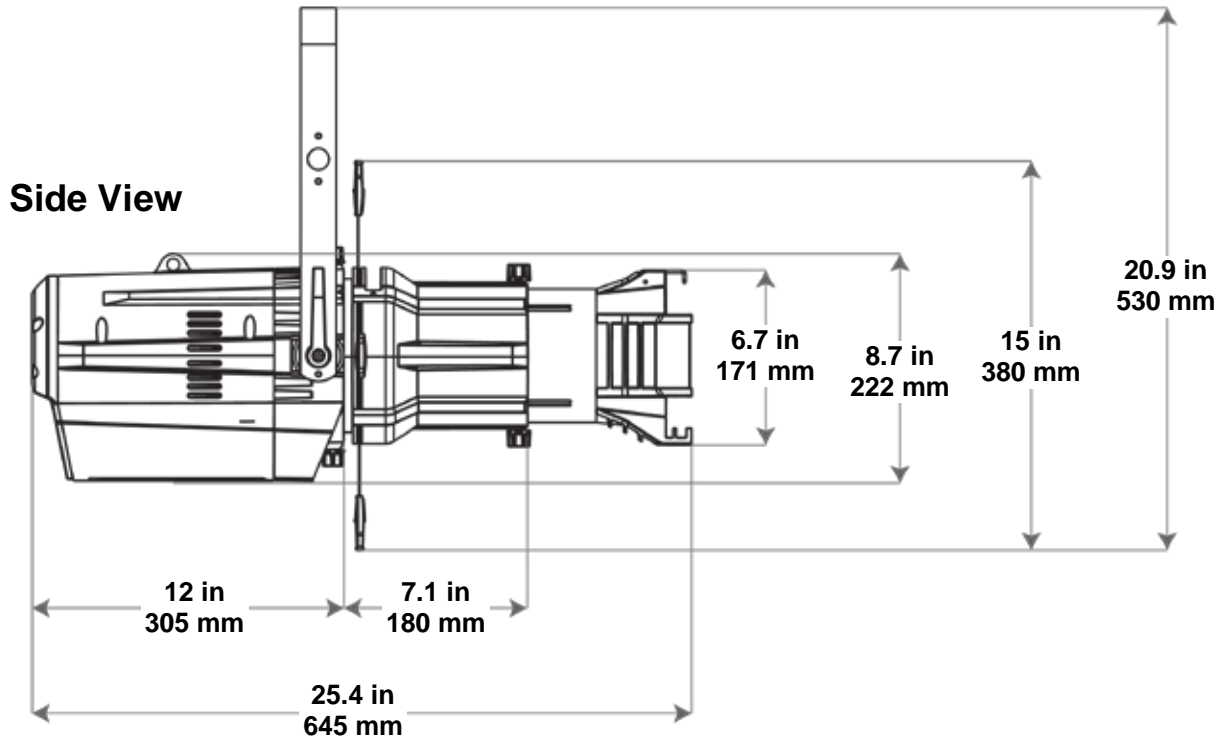


Do not operate the OVATION ED-190WW without a lens tube installed.

Overview



Dimensions



3. SETUP

AC Power This product has a switchable power supply that can work with an input voltage of 120 VAC, 60 Hz or 230 VAC, 50 Hz. To determine the power requirements for each OVATION ED-190WW, refer to the label affixed to the product. You can also refer to the [Technical Specifications](#) chart in this manual.

The listed current rating indicates the maximum current draw during normal operation. For more information, you may download Sizing Circuit Breakers from the Chauvet website: <http://www.chauvetlighting.com/download/>.



- **Always connect this product to a protected circuit with an appropriate electrical ground to avoid the risk of electrocution or fire.**
- **To eliminate unnecessary wear and improve its lifespan, during periods of non-use completely disconnect the product from power via breaker or by unplugging it.**

AC Plug The OVATION ED-190WW comes with a power input cord terminated with a Neutrik® powerCON® A connector on one end and an Edison plug on the other end (U.S. market). If the power input cord that came with your product has no plug, or if you need to change the Edison plug, use the table below to wire the new plug.

Connection	Wire (U.S.)	Wire (Europe)	Screw Color
AC Live	Black	Brown	Yellow or Brass
AC Neutral	White	Blue	Silver
AC Ground	Green/Yellow	Green/Yellow	Green

Power Linking The OVATION ED-190WW supports power linking. You can power link up to 4 products at 120 V or up to 8 at 230 V.

This product comes with a power input cord. Power linking cables are available from Chauvet for purchase.

- Fuse Replacement**
1. Disconnect this product from the power outlet.
 2. Using a Phillips-head screwdriver, unscrew the fuse holder cap from the housing.
 3. Remove the blown fuse and replace with another fuse of the same type and rating (T 3.15 A, 250 V).
 4. Screw the fuse holder cap back in place and reconnect power.



Make sure to disconnect the product's power cord before replacing a blown fuse. Always replace the blown fuse with another of the same type and rating.

DMX Linking You can link the OVATION ED-190WW to a DMX controller using a 3- or 5-pin DMX connection. If using other DMX-compatible products with the OVATION ED-190WW, you can control each individually with a single DMX controller.

DMX Personalities The OVATION ED-190WW uses a 3- or 5-pin DMX data connection for the 1-, 2- and 3 channel DMX personalities.

- Refer to the [Introduction](#) chapter for a brief description of each DMX personality.
- Refer to the [Operation](#) chapter to learn how to configure the OVATION ED-190WW to work in these personalities.
- The [DMX Values](#) section provides you with detailed information regarding the DMX personalities.



If you are not familiar with or need more information about DMX standards, Master/Slave connectivity, or the DMX cables needed to link this product to a DMX controller, download the DMX Primer from the Chauvet website: <http://www.chauvetlighting.com/download/>.

Master/Slave Connectivity The Master/Slave mode allows a single OVATION ED-190WW (the “master”) to control the actions of one or more OVATION ED-190WW products (the “slaves”) without the need of a DMX controller to control the slaves. Once set and connected, the slaves will operate in unison with the master. For instructions on connecting and configuring this product, see [Master/Slave Mode](#).



DO NOT connect a DMX controller to products operating in Master/Slave mode. The DMX controller signals may interfere with the signals from the master.



- The [Operation](#) chapter of this manual provides detailed instructions on how to configure the master and slaves.
- **If you are not familiar with or need more information about DMX standards, or the DMX cables needed to link this product to a DMX controller, download the DMX Primer from the Chauvet website: <http://www.chauvetlighting.com/download/>.**

Dimmer Modes The OVATION ED-190WW may be plugged into and controlled using a regular dimmer.

- When in **SENS** mode, advanced onboard electronics automatically detect what type of power and data the product receives and it responds accordingly. This is the factory default setting.
- When in **DMX** mode, the product runs only on constant power and is controlled solely on DMX. The product will not respond to dimmer control in this mode.
- When in **DMMR** mode, DMX control is turned off. Intensity is controlled using a dimmer. In this mode, the product reacts exactly like an incandescent product.

For the best performance while running on dimmers, use the settings listed below:

1. Go to the **SET** main level.
2. Select the **DIMX** programming level.
3. Select **DIM4**.
4. Go back to **SET** main level.
5. Select the **CURV** programming level.
6. Select **CV3**.

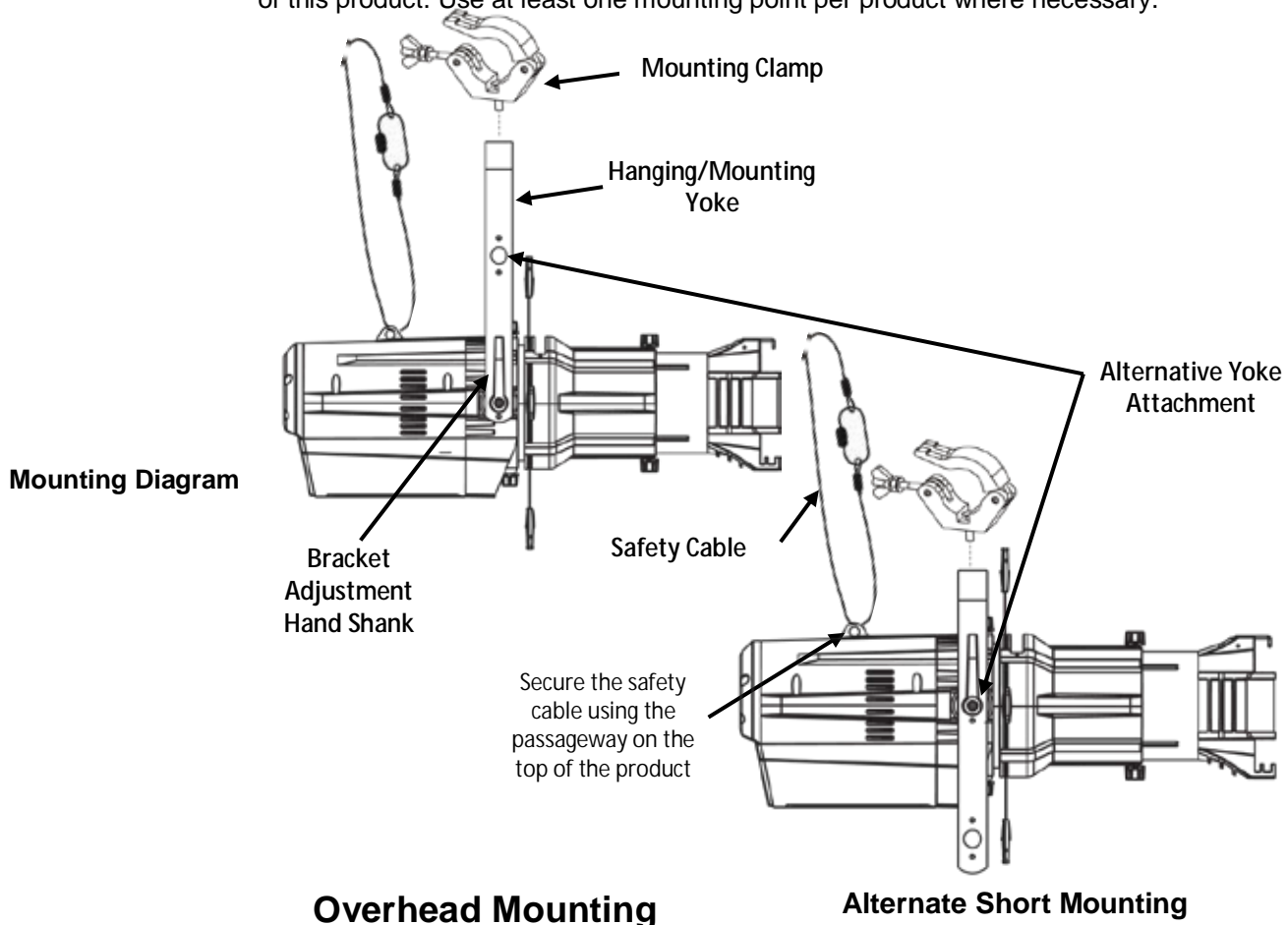
Mounting Before mounting this product, read and follow the [Safety Notes](#). For our CHAUVET® Professional line of mounting clamps, go to <http://trusst.com/products/>.

Orientation Always mount this product in a safe position and make sure there is adequate room for ventilation, configuration, and maintenance.

Rigging Chauvet recommends using the following general guidelines when mounting this product.

- When selecting an installation location, consider easy access to this product for operation, programming adjustments, and routine maintenance.
- Make sure to mount this product away from any flammable material as indicated in the [Safety Notes](#).
- Never mount in places where rain, high humidity, extreme temperature changes, or restricted ventilation may affect the product.
- If hanging this product, make sure that the mounting location can support the product's weight. See the [Technical Specifications](#) for the weight-bearing requirements of this product.
- When hanging this product, always secure to a fastening device using a safety cable. For our CHAUVET® Professional line of safety cables, go to <http://trusst.com/products/>.

Procedure The OVATION ED-190WW comes with a hanging/mounting yoke to which you can attach mounting clamps. The yoke has 13-mm holes, which are appropriate for this purpose. You must supply your own mounting clamps, so be sure the clamps are capable of supporting the weight of this product. Use at least one mounting point per product where necessary.



When using only one mounting clamp, be sure to use a clamp with a captive bolt to prevent accidental loosening.

4. OPERATION

Control Panel Description	Button	Function
	<MENU>	Exits from the current menu or function
	<ENTER>	Enables the currently displayed menu or sets the currently selected value in to the current function
	<UP>	Navigates upward through the menu list or increases the numeric value when in a function
	<DOWN>	Navigates downward through the menu list or decreases the numeric value when in a function

Control Options You can set the starting address of the OVATION ED-190WW in the **001–512** DMX range. This enables control of up to 170 products in the 3-channel **STD.P** personality.

Programming Refer to the [Menu Map](#) to understand the menu options. The menu map shows the main level and a variable number of programming levels for each option.

- To go to the desired main level, press **<MENU>** repeatedly until the option shows on the display. Press **<ENTER>** to select. This will take you to the first programming level for that option.
- To select an option or value within the current programming level, press **<UP>** or **<DOWN>** until the option shows on the display. Press **<ENTER>** to select. In this case, if there is another programming level, you will see that first option, or you will see the selected value.
- Press **<MENU>** repeatedly to exit to the previous main level.

Menu Map

Main Level	Programming Levels		Description
DIM	D.000–D.100		Local control of output
RUN	DMX		Sets the mode to DMX control
	SLAV		Sets the mode to master/slave
	DMMR		Sets the mode to dimmer control which turns off data input.
	SENS		Automatically chooses between DMMR and DMX
ADDR	D.001–D.512		Sets the starting address
SET	KEY	OFF	Sets the key lock (password mode)
		ON	
	DIMX	OFF	No dimmer
		DIM1	Slow (DIM4) to fast (DIM1) dimmer speeds. For best performance while using on a dimmer, set this to (DIM4).
		DIM2	
		DIM3	
	DIM4		
	CURV	OFF	No dimmer
		CV1	Large (CV3) to small (CV1) dimmer curves. For best performance while using on a dimmer, set this to (CV3).
		CV2	
		CV3	

Menu Map (Cont.)

Main Level	Programming Levels		Description	
SET (Cont.)	PERF	LIVE	Balances LED cooling using fans and output power level	
		STDO	Maintains LED cooling by limiting output power level	
		POWR	Maintains LED cooling using fans allowing full power output	
	SLCK	OFF	SET menu level access lock	
		ON		
	PERS	UNO	Selects DMX personality	
		DOS		
		STD.P		
	DERR	BLAK	Blacks out fixture upon loss of DMX	
		SAVE	Continues with last command upon loss of DMX control	
	REST	**** (Enter Passcode)	REST OK	Resets fixture to factory defaults
	MCON	SELF		No DMX data is sent in standalone operation
MAST		Sends DMX data to other OVATION ED-190WW during standalone operation		

DMX Values

UNO	Channel	Function	Value	Percent/Setting
	1	Dimmer	000 ∘ 255	0–100%

DOS	Channel	Function	Value	Percent/Setting
	1	Dimmer	000 ∘ 255	0–100%
	2	Dimmer Fine	000 ∘ 255	0–100%

STD.P	Channel	Function	Value	Percent/Setting
	1	Dimmer	000 ∘ 255	0–100%
	2	Dimmer Fine	000 ∘ 255	0–100%
	3	Strobe	000 ∘ 009	No function
			010 ∘ 099	Strobe (slow to fast)
			100 ∘ 109	No function
			110 ∘ 179	Lighting effect
			180 ∘ 189	No function
			190 ∘ 255	Random strobe

DMX Personality Set the DMX personality as follows.

1. Go to the **SET** main level.
2. Select the **PERS** programming level.
3. Select the desired personality: **UNO** (1-channel), **DOS** (2-channel), or **STD.P** (3-channel).



- See the [DMX Control](#) section for the highest starting address you can select for each personality.
- Make sure that the starting addresses on the various products do not overlap due to the new personality setting.

DMX Control DMX Control allows you to assign each product to a unique starting address on the DMX controller. All products with the same starting address will respond in unison.

1. Select a [DMX Personality](#).
2. Set the running mode:
3. Go to the **RUN** main level.
4. Select **DMX**.
 - Note: For information on the **SLAV** option, see [Master/Slave Mode](#).
5. Set the starting address:
6. Go to the **ADDR** main level.
7. Select the starting address **D.001–D.512**.

The highest recommended starting address for each DMX mode is as follows:



DMX Mode	DMX Address	DMX Mode	DMX Address	DMX Mode	DMX Address
UNO	512	DOS	511	STD.P	510

Loss of Signal Setting This setting controls how the product responds when the DMX signal is lost.

1. Go to the **SET** main level.
2. Select the **DERR** programming level.
3. Select **BLAK** to turn off the LEDs when the signal is lost.
4. Select **SAVE** to use the last command programmed when the signal is lost.

Dimmer Control The OVATION ED-190WW may be plugged into and controlled using a regular dimmer or by being plugged into constant power and using DMX control. By default the product is set to **SENS** which automatically senses the type of power/control being used and sets the product to react accordingly. The product may also be set to **DMMR** mode which turns off the DMX control and only allows exclusive control of the product via the dimmer.

1. Go to the **RUN** main level.
2. Select the **DMMR**.



When **SENS** and **DMMR** modes are active, the only control panel button that will work will be the <ENTER> button which will allow you to change modes.

Dimmer Menu Control To adjust the light output of the OVATION ED-190WW, select the dimmer setting as follows.

1. Go to the **DIM** main level.
2. Select the desired dimmer setting **D.000–D.100** (0–100% light output).

Dimmer Speeds Select the dimmer speed of the OVATION ED-190WW by selecting the **DIMX** programming level.

1. Go to the **SET** main level.
2. Select the **DIMX** programming level.
3. Select a dimmer speed **DIM1–DIM4** (fast to slow) or **OFF** (linear output).



When selecting DIM1–DIM4, the output will correspond to the dimmer curve option selected under the dimmer curves programming level (CURV).

Dimmer Curves Select the dimmer curve of the OVATION ED-190WW by selecting the **CURV** programming level. These options simulate the dimmer curve of an incandescent lighting product.

1. Go to the **SET** main level.
2. Select the **CURV** programming level.
3. Select a dimmer curve **CV1–CV3** (small to large) or **OFF** (linear output).



When selecting DIM1–DIM4, the output will correspond to the dimmer curve option selected under the dimmer curves programming level (CURV).

Control Panel Lock This setting enables you to activate or deactivate the control panel lock, which keeps non-authorized personnel from changing the product's settings.

1. Go to the **KEY** main level.
2. Select either **ON** (activate) or **OFF** (deactivate).



When the control panel lock is activated, after 30 seconds of control panel inactivity or after turning on the product, the product will prompt you to enter the passcode.

Passcode After being prompted to enter the passcode:

- Press **<UP>**, **<DOWN>**, **<UP>**, **<DOWN>**, **<ENTER>**.
- **Note:** Asterisks (*) appear on the display when entering the passcode.

Menu Access Lock This setting enables you to activate or deactivate the menu access lock. Activating the menu access lock prevents non-authorized personnel from making any changes to the programming levels under the **SET** main level.

1. Go to the **SET** main level.
2. Go to the **SLCK** programming level.
3. Select either **ON** (activate) or **OFF** (deactivate).



When the menu access lock is activated, in order to access the SET programming levels, the product will prompt you to enter the passcode. Enter the passcode as described in [Passcode](#).

Reset To reset the OVATION ED-190WW to the factory default settings, follow the instructions below.

1. Go to the **SET** main level.
2. Select the **REST** programming level and then the display becomes blank.
3. Enter the passcode as described in [Passcode](#). After successfully entering the passcode, **REST** blinks on the display during the reset process.
4. **OK** appears on the display when finished.

Performance Power Output Options The OVATION ED-190WW offers three power output options during the cooling of the product's LEDs.

1. Go to the **SET** main level.
2. Select the **PERF** programming level.
3. Select from the following options:
 - Select **LIVE** to cool the LEDs by balancing the use of the fan and the power output level.
 - Select **STDO** to cool the LEDs by maintaining the use of the fan and limiting the power output level.
 - Select **POWR** to cool the LEDs by maintaining the use of the fan and allowing full power output.

Focus Mode Focus mode allows for focusing of the OVATION ED-190WW without changing any menu settings.

1. Press and hold **<MENU>** for 3 seconds. The intensity will increase to 100%.
2. Press **<MENU>** to exit to previous settings.

Manual Beam Focus Control The OVATION ED-190WW has a manual focus, which is adjusted as follows.

1. Locate the beam focus knobs at the top and bottom of the barrel assembly.
2. Loosen the knobs by turning them counter-clockwise.
3. Slide the lens tube forward or backward until you achieve the desired focus or beam edge.
4. Tighten the knobs by turning them clockwise, which lock the lens tube's position.



To avoid changing menu settings while focusing the OVATION ED-190WW, press and hold the <MENU> button for 3 seconds. This will put the product in "Focus Mode" by increasing the intensity to 100%. To exit out of focus mode, press <MENU>.

Rotating the Barrel Assembly The OVATION ED-190WW allows manual rotation of the barrel assembly, as follows.

1. Locate the barrel rotation knobs at the top and bottom of the Light Engine.
2. Loosen the knobs by turning them counter-clockwise.
 - **Note:** Do not remove the knobs.
3. Rotate the barrel to the desired position, up to 25° in either direction from the centered position.
4. Tighten the knobs by turning them clockwise, which lock the barrel's position.



Make sure the barrel assembly is oriented with the pattern holder and Accessory slots at the top of the product.

Master/Slave Mode The Master/Slave mode allows a single OVATION ED-190WW (the “master”) to control the actions of one or more OVATION ED-190WW products (the “slaves”) without the need of a DMX controller to control the slaves. The master will be set to operate in Master mode (**MAST**), while the slaves will be set to operate in Slave mode (**SLAV**). Once set and connected, the slaves will operate in unison with the master. Configure the products as indicated below.

The Slaves:

1. Go to the **RUN** main level.
2. Select **SLAV**.
3. Connect the DMX input of the first slave to the DMX output of the master.
4. Connect the DMX input of the subsequent slaves to the DMX output of the previous slave.
5. Finish setting and connecting all the slaves.

The Master:

1. Go to the **SET** main level.
2. Select the **MCON** programming level.
3. Select **MAST**.
 - **Note:** If you select **SELF**, no DMX signals are sent to the slaves.
4. Make the master the first product in the DMX daisy chain.
5. Control the master using the DMX controller and the slaves will operate in unison.



Do not connect a DMX controller to the products configured for slave operation. The DMX controller may interfere with signals from the master.

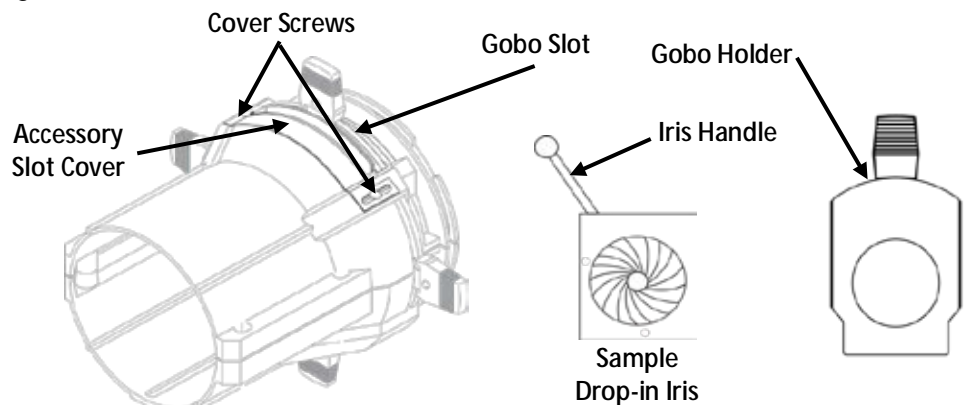
Gobo Slot The OVATION ED-190WW has a gobo slot, which holds either a standard A or B size gobo holder (sold separately).

- Insert the gobo holder into the gobo slot.

Accessory Slot The OVATION ED-190WW has an accessory slot, which holds a drop-in iris, a motorized pattern device, or various other optional accessories (sold separately).

6. Loosen the thumbscrews on the slot cover.
 - **Note:** Do not remove the thumbscrews.
7. Slide to cover forward.
8. Insert an accessory.
 - **Note:** Make sure to insert the accessory correctly. For example, make sure the iris handle extends upward from the slot.
9. Slide the cover back. Make sure any handles or adjustment tools that stick out the top are able to function correctly.
10. Tighten the thumbscrews to secure the cover.

Accessory/Gobo Slot Location Diagram



- **When not using the accessory slot, replace and secure the slot cover to prevent light leakage during operation.**
- **When obtaining any optional accessories, be sure the items are compatible with the OVATION ED-190WW.**

5. TECHNICAL INFORMATION

Product Maintenance

To maintain optimum performance and minimize wear, you should clean this product frequently. Usage and environment are contributing factors in determining the cleaning frequency.

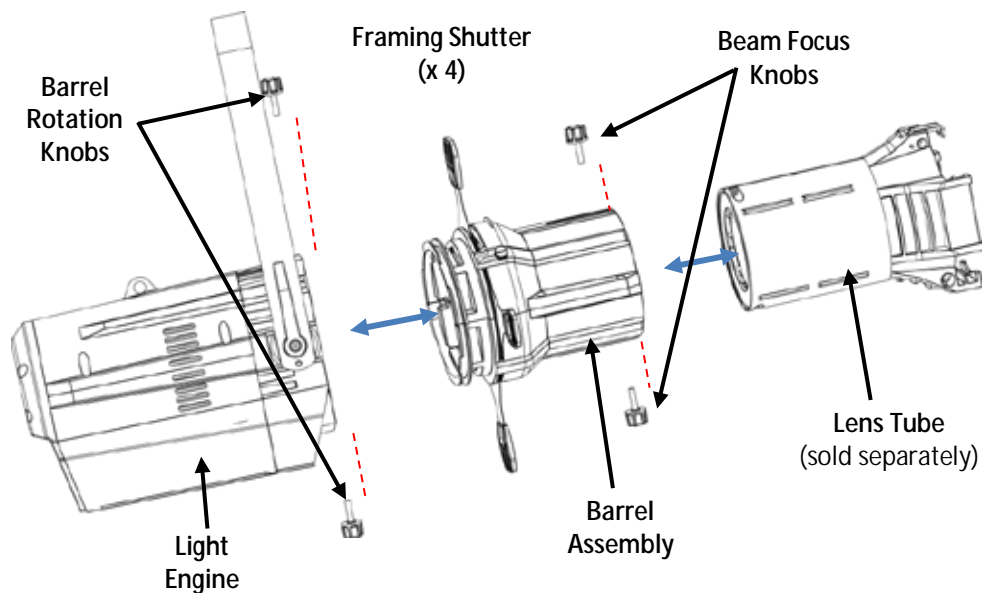
As a rule, clean this product at least twice a month. Dust build-up reduces light output performance and can cause overheating. This can lead to reduced light source life and increased mechanical wear.

To clean your product:

1. Unplug the product from power.
2. Wait until the product is at room temperature.
3. Use a vacuum (or dry compressed air) and a soft brush to remove dust collected on the external vents.
4. Clean all external surfaces with a mild solution of non-ammonia glass cleaner or isopropyl alcohol.
5. Apply the solution directly to a soft, lint-free cotton cloth or a lens cleaning tissue.
6. Wipe any dirt or grime to the outside edges of the lens surface.
7. Gently polish the lens surfaces until they are free of haze and lint.



Always dry the external surfaces thoroughly and carefully after cleaning them.



Cleaning the Light Engine Lens The lens inside the Light Engine may need periodic cleaning. To gain access to this lens, do the following.

1. Separate the Light Engine from the barrel assembly by unscrewing the barrel rotation knobs.
2. Use a Phillips screwdriver to remove the lens from its fixed cover, if necessary.
3. Clean the lens as described in [Product Maintenance](#).



- **Take great care not to damage the LEDs and circuit board, which will now be exposed inside the Light Engine.**
- **Always close the framing shutters when transporting or storing the product.**



To remove the lens tube (sold separately), unscrew the beam focus knobs. Follow any maintenance and cleaning instructions supplied with the lens tube.

6. TECHNICAL SPECIFICATIONS

Dimensions and Weight (product only)	Length	Width	Height	Weight					
	21.5 in (545 mm)	15 in (380 mm)	15 in (380 mm)	16.4 lb (7.44 kg)					
Note: Dimensions in inches rounded to the nearest decimal digit.									
Power	Power Supply Type	Range		Voltage Selection					
	Switchable	120/230 VAC, 50/60 Hz		120 or 230 VAC					
	Parameter	120 VAC, 60 Hz		230 VAC, 50 Hz					
	Consumption	208 W		200 W					
	Current	1.7 A		0.9 A					
	Power linking current (products)	8 A (4 products)		8 A (8 products)					
	Fuse/Breaker	T 3.15 A, 250 V		T 3.15 A, 250 V					
	Power I/O	U.S./Canada		Worldwide					
	Power input connector	Neutrik® powerCON® A		Neutrik® powerCON® A					
	Power output connector	Neutrik® powerCON® B		Neutrik® powerCON® B					
Power cord plug	Edison (U.S.)		Local plug						
Light Source	Type	Power		Lifespan					
	LED	10 W		100,000 hours					
	Color	Quantity		Current					
	Warm White	19		2.8 A					
Photometrics	Parameter	19° Lens	26° Lens	36° Lens	50° Lens	15°–30° Lens	25°–50° Lens		
	Illuminance @ 5 m	4,380 lx	2,743 lx	1,578 lx	624 lx	8,810 lx	2,351 lx	3,616 lx	1,090 lx
	Lumens	5,274	6,025	6,322	6,349	N/A	N/A	N/A	N/A
	Beam angle	16°	22°	31°	48°	14°	28°	18°	30°
	Field angle	22°	28°	36°	56°	15°	29°	25°	48°
Thermal	Max. External Temperature	Cooling System							
	113 °F (45 °C)	Fan-Assisted Convection							
DMX	I/O Connectors	Connector Type		Channel Range					
	3- and 5-pin XLR	Sockets		1, 2 or 3					
Ordering	Product Name	Item Code		UPC Number					
	OVATION ED-190WW	01120960		781462213084					



UL 1573
CSA C22.2 No. 166
E113093



Returns You must send the product prepaid, in the original box, and with the original packing and accessories. Chauvet will not issue call tags.

Call Chauvet and request a Return Merchandise Authorization (RMA) number before shipping the product. Be prepared to provide the model number, serial number, and a brief description of the cause(s) for the return.

Clearly label the package with an RMA number. Chauvet will refuse any product returned without an RMA number.



DO NOT write the RMA number directly on the box. Instead, write it on a properly affixed label.

Once you have received the RMA number, include the following information on a piece of paper inside the box:

- Your name
- Your address
- Your phone number
- The RMA number
- A brief description of the problem(s)

Be sure to pack the product properly. Any shipping damage resulting from inadequate packaging will be the customer's responsibility. FedEx packing or double-boxing is recommended.



Chauvet reserves the right to use its own discretion to repair or replace returned product(s).

CONTACT Us

WORLD HEADQUARTERS - Chauvet

General Information

Address: 5200 NW 108th Avenue
Sunrise, FL 33351
Voice: (954) 577-4455
Fax: (954) 929-5560
Toll free: (800) 762-1084

Technical Support

Voice: (954) 577-4455 (Press 4)
Fax: (954) 756-8015
Email: tech@chauvetlighting.com

World Wide Web www.chauvetlighting.com

UNITED KINGDOM AND IRELAND - Chauvet Europe Ltd.

General Information

Address: Unit 1C
Brookhill Road Industrial Estate
Pinxton, Nottingham, UK
NG16 6NT
Voice: +44 (0)1773 511115
Fax: +44 (0)1773 511110

Technical Support

Email: uktech@chauvetlighting.com

World Wide Web www.chauvetlighting.co.uk

MEXICO - Chauvet Mexico

General Information

Address: Av. Santa Ana 30
Parque Industrial Lerma
Lerma, Mexico C.P. 52000
Voice: +52 (728) 285-5000

Technical Support

Email: servicio@chauvet.com.mx

World Wide Web www.chauvet.com.mx

CHAUVET EUROPE - Chauvet Europe BVBA

General Information

Address: Stokstraat 18
9770 Kruishoutem
Belgium
Voice: +32 9 388 93 97

Technical Support

Email: Eutech@chauvetlighting.eu

World Wide Web www.chauvetlighting.eu

Outside the U.S., United Kingdom, Ireland, Mexico, or Benelux contact the dealer of record. Follow their instructions to request support or to return a product. Visit our website for contact details.