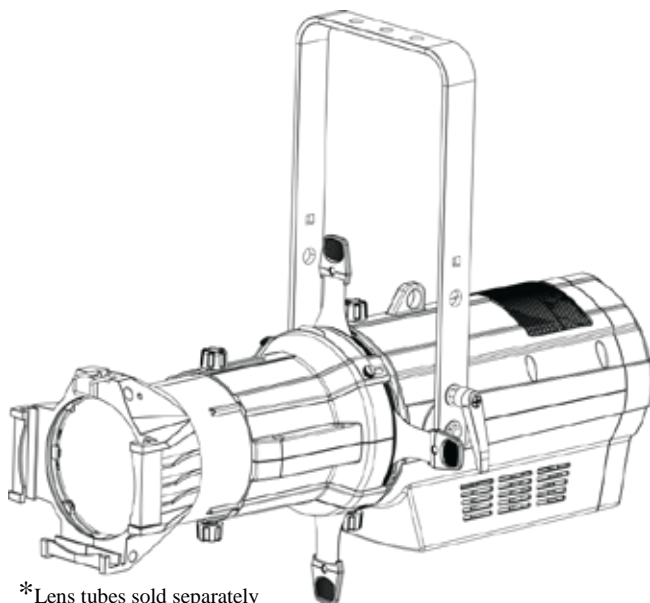


OVATION

E-910FC

Quick Reference Guide

English	EN
Español	ES
Français	FR
Nederlands	NL



*Lens tubes sold separately



CHAUVET
PROFESSIONAL

About This Guide

The Ovation E-910FC Quick Reference Guide (QRG) has basic product information such as connection, mounting, menu options, and DMX values. Download the User Manual from www.chauvetprofessional.com for more details.

Disclaimer

The information and specifications contained in this QRG are subject to change without notice.

Safety Notes

- DO NOT open this product. It contains no user-serviceable parts.
- DO NOT look at the light source when the product is on.
- To eliminate unnecessary wear and improve its lifespan, during periods of non-use completely disconnect the product from power via breaker or by unplugging it.
- CAUTION: When transferring product from extreme temperature environments, (e.g. cold truck to warm humid ballroom) condensation may form on the internal electronics of the product. To avoid causing a failure, allow product to fully acclimate to the surrounding environment before connecting it to power.
- CAUTION: This product's housing may be hot when lights are operating.
- Mount this product in a location with adequate ventilation, at least 20 in (50 cm) from adjacent surfaces.
- DO NOT leave any flammable material within 50 cm of this product while operating or connected to power.
- USE a safety cable when mounting this product overhead.
- DO NOT operate this product outdoors or in any location where dust, excessive heat, water, or humidity may affect it. (IP20)
- DO NOT operate this product if the housing, lenses, or cables appear damaged.
- DO NOT connect this product to a dimmer or rheostat.
- ONLY connect this product to a grounded and protected circuit.
- ONLY use the hanging/mounting bracket or the handles to carry this product.
- In the event of a serious operating problem, stop using immediately.
- The maximum ambient temperature is 113 °F (45 °C). Do not operate this product at higher temperatures.

Contact

Outside the U.S., United Kingdom, Ireland, Mexico, or Benelux, contact your distributor to request support or return a product. From inside the U.S., UK, Ireland, Mexico, or Benelux, use the information in [Contact Us](#) at the end of this QRG.

What Is Included

- Ovation E-910FC
- Neutrik powerCON power cord
- Warranty Card
- Quick Reference Guide

AC Power This product has an auto-ranging power supply that can work with an input voltage range of 100–240 VAC, 50/60 Hz.

Power Linking You can link up to 6 Ovation E-910FC products at 120 V, 11 products at 208 V, or 12 products at 230 V. Never exceed this number. Power linking cords can be purchased separately.

AC Plug	Connection	Wire (U.S.)	Wire (Europe)	Screw Color
	AC Live	Black	Brown	Yellow/Brass
	AC Neutral	White	Blue	Silver
	AC Ground	Green/Yellow	Green/Yellow	Green



To eliminate unnecessary wear and improve its lifespan, during periods of non-use completely disconnect the product from power via breaker or by unplugging it.

Replacing The Fuse

1. Disconnect this product from power.
2. Using a flat head screwdriver, unscrew the fuse holder cap from the housing.
3. Remove blown fuse and replace with a good fuse of the same type and rating.
4. Screw the fuse holder cap back in place and reconnect power.

DMX Linking

The Ovation E-910FC will work with a DMX controller using a 3- or 5-pin DMX serial connection. A DMX Primer is available from www.chauvetprofessional.com.

DMX Connection

The Ovation E-910FC uses a 3- or 5-pin DMX data connection for its DMX personalities: **3Ch**, **5Ch**, **7Ch**, **10Ch**, **12Ch**, **13Ch**, and **15Ch**. See the User Manual for information about connecting and configuring the product for DMX operation.

Master/Slave Connection

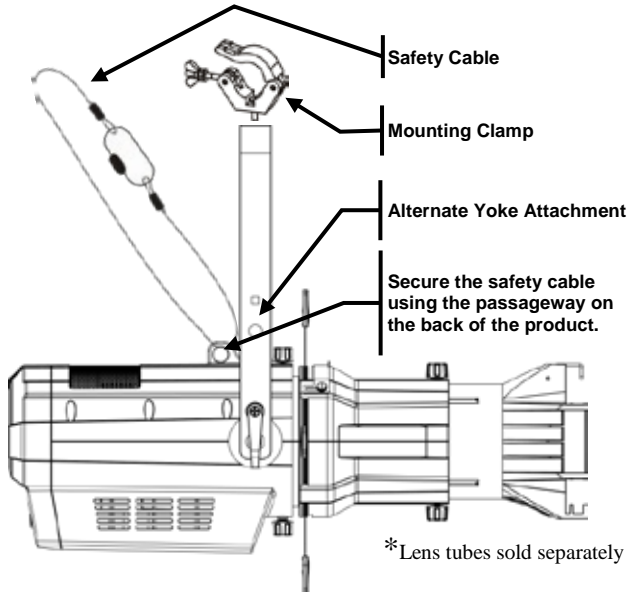
The Ovation E-910FC uses the DMX data connection for its Master/Slave mode. See the User Manual for information about connect and configure the product for master/slave operation.

RDM (Remote Device Management)

Remote Device Management, or RDM, is a standard for allowing DMX-enabled devices to communicate bi-directionally along existing DMX cabling. The Ovation E-910FC supports RDM protocol that allows feedback to monitor temperature and changes to **DMX Address** and **DMX Channel** menu map options. Download the User Manual from www.chauvetprofessional.com for more details.

Mounting Before mounting this product, read the [Safety Notes](#). Use at least one mounting point per product. Make sure the mounting clamps are capable of supporting the weight of the product. For our CHAUVET Professional line of mounting clamps, go to <http://trusst.com/products/>.

**Product
Mounting
Diagram**



Overhead Mounting

**Control Panel
Description**

Button	Function
<MENU>	Exits from the current menu or function
<ENTER>	Enables the currently displayed menu or sets the currently selected value into the selected function
<UP>	Navigates upwards through the menu list or increases the numeric value when in a function
<DOWN>	Navigates downwards through the menu list or decreases the numeric value when in a function

Virtual Color Wheel The Ovation E-910FC includes a feature called the Virtual Color Wheel (VCW). This feature is available as a stand-alone control mode for manual use and also as a control channel in select DMX personalities. Over 30 pre-mixed colors, custom blended by our engineers, are available to call up for easier programming.

The DMX values used to mix these colors are provided below. You may adjust the overall intensity of the Ovation fixture in order to more closely replicate colors you are familiar with. A chart is available on our website www.chauvetprofessional.com to compare our pre-mixed colors with popular gel colors. This chart is for comparison purposes only and is not a representation that our pre-mixed colors match any of the gel colors listed.

Virtual Color Wheel Chart

DMX Channel Value	Display Readout	Red Value	Green Value	Blue Value	Amber Value	Lime Value
000○005	--	000	000	000	000	000
006○013	C3050 - Md Yellow	233	163	020	123	255
014○021	C3040 - Lt Yellow	224	158	047	255	231
022○028	C3240 - Amb Yellow	180	060	000	245	255
029○035	C2340 - VLt Amber	245	107	081	255	213
036○043	C2040 - Lt Amber	230	130	062	255	155
044○051	C2050 - Md Amber	255	000	025	255	194
052○059	C2060 - Dk Amber	255	000	024	255	150
060○067	C1050 - Lt Red	255	037	027	030	038
068○075	C1080 - Md Red	255	004	017	000	000
076○083	C1020 - NC Pink	238	135	129	255	255
084○091	C1030 - Md Pink	255	131	120	255	195
092○099	C1630 - Dk Pink	250	165	123	255	210
100○107	C1250 - Md Red Amber	255	000	041	195	055
108○115	C1060 - Dk Red Amber	255	000	045	120	030
116○121	C1650 - Magenta	255	050	115	255	115
122○130	C6170 - Dk Magenta	255	035	117	000	000
131○138	C6020 - Lt Lavender	127	122	142	251	255
139○146	C5030 - Lt Blue	000	255	197	100	255
147○154	C5020 - VLt Blue	158	255	189	000	255
155○162	C5430 - Lt Blue 2	000	255	180	000	243
163○170	C5070 - Blue	043	255	210	043	036
171○178	C5050 - Md Blue	000	255	218	000	181
179○186	C5060 - Dk Blue	000	210	206	000	118
187○194	C5690 - Indigo	065	000	210	040	055
195○202	C5080 - VDk Blue	000	203	230	000	040
203○210	C5081 - VDk Blue 2	040	199	240	000	045
211○218	C4370 - Yel Green	027	255	028	016	104
219○226	C4070 - Green	049	255	055	120	090
227○234	C4550 - Turquoise	060	230	109	000	245
235○242	C4560 - Aqua	020	240	126	036	255
243○250	C4570 - Blue Green	000	255	079	030	053
251○255	--	000	000	000	000	000



Note: The colors above are simulated renditions of the color output produced as compared to other similar incandescent products. Chauvet makes no guarantee of the color output accuracy.

Preset Color Temperature Chart	DMX Channel Value	Display Readout	Red Value	Green Value	Blue Value	Amber Value	Lime Value
	000	005	--	000	000	000	000
006	025	2800K	255	199	107	253	255
026	050	3200K	253	247	129	255	255
051	075	3500K	234	255	141	253	255
076	100	4000K	204	255	156	243	255
101	125	4500K	181	248	166	224	255
126	150	5000K	160	255	180	241	255
151	175	5600K	138	255	191	241	255
176	200	6000K	147	255	193	203	255
201	225	6500K	142	251	197	187	255
226	255	--	000	000	000	000	000



Note: The color temperatures above are simulated renditions of the color output produced as compared to a tungsten lamp at the specified color temperature. Chauvet makes no guarantee of the color output accuracy.

Menu Map

Main Level	Programming Levels		Description									
DMX Address	<001-512>		Selects DMX address (highest channel restricted to personality chosen)									
DMX Channel	3Ch		3-channel: dimmer, virtual color wheel, color temperature									
	5Ch		5-channel: RGBAL control									
	7Ch		7-channel: RGBAL control, dimmer, strobe									
	10Ch		10-channel: RGBAL control, 16-bit dimmer, strobe, virtual color wheel, color temperature									
	12Ch		12-channel: RGBAL control, dimmer, strobe, virtual color wheel, color temperature, auto programs, auto speed, dimmer mode									
	13Ch		13-channel: 16-bit RGBAL, dimmer, strobe									
	15Ch		15-channel: 16-bit RGBAL and dimmer, strobe, virtual color wheel, color temperature									
Virtual Color Wheel	<table border="1"> <tr><td>C3050 - Md Yellow</td></tr> <tr><td>C3040 - Lt Yellow</td></tr> <tr><td>C3240 - Amb Yellow</td></tr> <tr><td>C2340 - VLt Amber</td></tr> <tr><td>C2040 - Lt Amber</td></tr> <tr><td>C2050 - Md Amber</td></tr> <tr><td>C2060 - Dk Amber</td></tr> <tr><td>C1050 - Lt Red</td></tr> </table>	C3050 - Md Yellow	C3040 - Lt Yellow	C3240 - Amb Yellow	C2340 - VLt Amber	C2040 - Lt Amber	C2050 - Md Amber	C2060 - Dk Amber	C1050 - Lt Red	Dimmer	<000-255>	Virtual Color Wheel simulates the output of each gel color. Refer to the Virtual Color Wheel Chart section for specific values
C3050 - Md Yellow												
C3040 - Lt Yellow												
C3240 - Amb Yellow												
C2340 - VLt Amber												
C2040 - Lt Amber												
C2050 - Md Amber												
C2060 - Dk Amber												
C1050 - Lt Red												

Main Level	Programming Levels			Description	
Virtual Color Wheel (cont.)	Virtual Color Wheel (cont.)	C1080 - Md Red	Dimmer	<000–255>	Virtual Color Wheel simulates the output of each gel. Refer to the Virtual Color Wheel Chart section for specific values
		C1020 - NC Pink			
		C1030 - Md Pink			
		C1630 - Dk Pink			
		C1250 - Md Red Amber			
		C1060 - Dk Red Amber			
		C1650 - Magenta			
		C6170 - Dk Magenta			
		C6020 - Lt Lavender			
		C5030 - Lt Blue			
		C5020 - VLt Blue			
		C5430 - Lt Blue 2			
		C5070 - Blue			
		C5050 - Md Blue			
		C5060 - Dk Blue			
		C5690 - Indigo			
		C5080 - VDk Blue			
		C5081 - VDk Blue 2			
		C4370 - Yel Green			
		C4070 - Green			
C4550 - Turquoise					
C4560 - Aqua					
C4570 - Blue Green					
Color Temperature	Color Temperature	2800K	Dimmer	<000–255>	Preset white color temperatures. Emulates a tungsten lamp at the specified color temperature. Refer to the Preset Color Temperature Chart section for specific values
		3200K			
		3500K			
		4000K			
		4500K			
		5000K			
		5600K			
		6000K			
		6500K			
Manual Color Mixer	Manual Color Mixer	Red	<0–255>	<0–255>	Combine red, green, blue, amber, and lime to make a custom color (0–100%)
		Green			
		Blue			
		Amber			
		Lime			

Main Level	Programming Levels		Description	
Auto Show	Auto 1		<1-100> Selects automatic programs and auto program speed	
	Auto 2			
	Auto 3			
	Auto 4			
	Auto 5			
Master/Slave	Master		DMX mode (Master)	
	Slave		Slave mode	
Dimmer Mode	Off		No dimmer	
	Dimmer 1-3		Dimming curves Dimmer 1 (fast) to Dimmer 3 (slow)	
White Balance	OFF		Uses factory default white setting	
	Manual	Red	<125-255> Sets red LED maximum value	
		Green		Sets green LED maximum value
		Blue		Sets blue LED maximum value
LED Frequency	600Hz		Selects the PWM output frequency	
	1200Hz			
	2000Hz			
	4000Hz			
	6000Hz			
	25KHz			
Fan Mode	Auto		Sets the fan to auto mode	
	On		Sets the fan to always on	
Back Light	On		Display backlight always on	
	10S		Turns off display backlight after 10 sec of inactivity	
	20S		Turns off display backlight after 20 sec of inactivity	
	30S		Turns off display backlight after 30 sec of inactivity	
Information	Fixture Hours	<_ _ _ _ H>	Shows total product hours	
	Version	<V_._>	Shows installed software version	
	UID:	-----	Shows product UID	

DMX Values

15Ch	Channel	Function	Value	Percent/Setting
	1	Dimmer	000ó 255	0–100%
	2	Dimmer Fine	000ó 255	0–100%
	3	Red	000ó 255	0–100%
	4	Red Fine	000ó 255	0–100%
	5	Green	000ó 255	0–100%
	6	Green Fine	000ó 255	0–100%
	7	Blue	000ó 255	0–100%
	8	Blue Fine	000ó 255	0–100%
	9	Amber	000ó 255	0–100%
	10	Amber Fine	000ó 255	0–100%
	11	Lime	000ó 255	0–100%
	12	Lime Fine	000ó 255	0–100%
	13	Strobe	000ó 010 011ó 255	No function Strobe, slow to fast
	14	Virtual Color Wheel	000ó 255	Refer to the Virtual Color Wheel Chart section for specific values
	15	Color Temperature	000ó 255	Refer to the Preset Color Temperature Chart section for specific values

13Ch	Channel	Function	Value	Percent/Setting
	1	Dimmer	000ó 255	0–100%
	2	Dimmer Fine	000ó 255	0–100%
	3	Red	000ó 255	0–100%
	4	Red Fine	000ó 255	0–100%
	5	Green	000ó 255	0–100%
	6	Green Fine	000ó 255	0–100%
	7	Blue	000ó 255	0–100%
	8	Blue Fine	000ó 255	0–100%
	9	Amber	000ó 255	0–100%
	10	Amber Fine	000ó 255	0–100%
	11	Lime	000ó 255	0–100%
	12	Lime Fine	000ó 255	0–100%
	13	Strobe	000ó 010 011ó 255	No function Strobe, slow to fast

12Ch	Channel	Function	Value	Percent/Setting
	1	Dimmer	000 ∘ 255	0–100%
	2	Red	000 ∘ 255	0–100%
	3	Green	000 ∘ 255	0–100%
	4	Blue	000 ∘ 255	0–100%
	5	Amber	000 ∘ 255	0–100%
	6	Lime	000 ∘ 255	0–100%
	7	Strobe	000 ∘ 010 011 ∘ 255	No function Strobe, slow to fast
	8	Virtual Color Wheel	000 ∘ 255	Refer to the Virtual Color Wheel Chart section for specific values
	9	Color Temperature	000 ∘ 255	Refer to the Preset Color Temperature Chart section for specific values
	10	Auto Programs	000 ∘ 010 011 ∘ 060 061 ∘ 110 111 ∘ 160 161 ∘ 210 211 ∘ 255	No function Auto 1 Auto 2 Auto 3 Auto 4 Auto 5
	11	Auto Speed	000 ∘ 255	Slow to fast
	12	Dimmer Speed	000 ∘ 051 052 ∘ 101 102 ∘ 152 153 ∘ 203 204 ∘ 255	Preset dimmer speed from display menu Dimmer speed mode off Dimmer speed mode 1 (fastest) Dimmer speed mode 2 Dimmer speed mode 3 (slowest)

10Ch	Channel	Function	Value	Percent/Setting
	1	Dimmer	000 ∘ 255	0–100%
	2	Dimmer Fine	000 ∘ 255	0–100%
	3	Red	000 ∘ 255	0–100%
	4	Green	000 ∘ 255	0–100%
	5	Blue	000 ∘ 255	0–100%
	6	Amber	000 ∘ 255	0–100%
	7	Lime	000 ∘ 255	0–100%
	8	Strobe	000 ∘ 010 011 ∘ 255	No function Strobe, slow to fast
	9	Virtual Color Wheel	000 ∘ 255	Refer to the Virtual Color Wheel Chart section for specific values
	10	Color Temperature	000 ∘ 255	Refer to the Preset Color Temperature Chart section for specific values

7Ch	Channel	Function	Value	Percent/Setting
	1	Dimmer	000 ∘ 255	0–100%
	2	Red	000 ∘ 255	0–100%
	3	Green	000 ∘ 255	0–100%
	4	Blue	000 ∘ 255	0–100%
	5	Amber	000 ∘ 255	0–100%
	6	Lime	000 ∘ 255	0–100%
	7	Strobe	000 ∘ 010 011 ∘ 255	No function Strobe, slow to fast

5Ch	Channel	Function	Value	Percent/Setting
	1	Red	000 ∘ 255	0–100%
	2	Green	000 ∘ 255	0–100%
	3	Blue	000 ∘ 255	0–100%
	4	Amber	000 ∘ 255	0–100%
	5	Lime	000 ∘ 255	0–100%

3Ch	Channel	Function	Value	Percent/Setting
	1	Dimmer	000 ∘ 255	0–100%
	2	Virtual Color Wheel	000 ∘ 255	Refer to the Virtual Color Wheel Chart section for specific values
	3	Color Temperature	000 ∘ 255	Refer to the Preset Color Temperature Chart section for specific values

Acerca de Esta Guía

La Guía de Referencia Rápida (GRR) del Ovation E-910FC contiene información básica sobre el producto, como montaje, opciones de menú y valores DMX. Descargue el manual de usuario de www.chauvetprofessional.com para información más detallada.

Exención de Responsabilidad

La información y especificaciones contenidas en esta GRR están sujetas a cambio sin previo aviso.

Notas de Seguridad

- NO abra este producto. No contiene piezas reparables por el usuario.
- NO mire a la fuente de luz cuando el producto esté encendido.
- Para evitar un desgaste innecesario y alargar su vida útil, desconecte completamente el producto de la alimentación, mediante el interruptor o desenchufándolo, durante los periodos en los que no se use.
- Cuidado: cuando transfiera el producto desde ambientes con temperatura extrema (p. ej., del remolque frío de un camión a una sala de baile con calor y humedad), puede formarse condensación en la electrónica interna del producto. Para evitar que se produzca una avería, deje que el producto se aclimate completamente al ambiente antes de conectar la alimentación.
- ¡CUIDADO! La carcasa de este producto está caliente cuando las luces están en funcionamiento.
- Monte este producto en una ubicación con ventilación adecuada, al menos a 20" (50 cm) de superficies adyacentes.
- NO deje ningún material inflamable a menos de 50 cm de este producto mientras esté funcionando o conectado a la alimentación.
- USE un cable de seguridad cuando monte este producto en lo alto.
- NO ponga en funcionamiento este producto en el exterior o en cualquier ubicación en la que el polvo, calor excesivo, agua o humedad puedan afectarlo.
- NO ponga en funcionamiento este producto si sospecha que la carcasa, lentes o cables están dañados.
- NO conecte este producto a un atenuador o reostato.
- Conecte este producto SOLO a un circuito con toma de tierra y protegido.
- Use SOLAMENTE los soportes de colgar/montar o las asas para mover este producto.
- En caso de un problema grave de funcionamiento, deje de usarlo inmediatamente.
- La máxima temperatura ambiente es de 113 °F (45 °C). No haga funcionar este producto a temperaturas más altas.

Contacto

Fuera de EE.UU, Reino Unido, Irlanda, México o Benelux, póngase en contacto con su distribuidor para solicitar asistencia o devolver el producto. Visite www.chauvetprofessional.com para información de contacto.

Qué va Incluido

- Ovation E-910FC
- Tarjeta de Garantía
- Cable de Alimentación
- Guía de Referencia Rápida
- Neutrik powerCON

Corriente Alterna

Este producto tiene una fuente de alimentación con detección automática que puede funcionar con un rango de tensión de entrada de 100–240 VCA, 50/60 Hz.

Alimentación en Cadena

Puede enlazar hasta 6 productos Ovation E-910FC a 120 V, 11 productos a 208 V o 12 productos a 230 V. Los cables de alimentación en cadena se pueden adquirir por separado.

Enchufe CA	Conexión	Cable (EE.UU)	Cable (Europa)	Color del Tornillo
	CA Cargado	Negro	Marrón	Amarillo/Bronce
	CA Neutro	Blanco	Azul	Plata
	CA Tierra	Verde/Amarillo	Verde/Amarillo	Verde



Para evitar un desgaste innecesario y alargar su vida útil, desconecte completamente el producto de la alimentación, mediante el interruptor o desenchufándolo, durante los periodos en los que no se use.

Sustitución del Fusible

1. Desconecte el producto de la toma de corriente.
2. Con un destornillador de estrella N°2 desatornille la tapa del portafusibles.
3. Quite el fusible fundido del portafusibles y sustitúyalo con otro del mismo tipo y categoría.
4. Vuelva a atornillar la tapa del portafusibles en su sitio y conecte de nuevo la alimentación.

Enlace DMX

El Ovation E-910FC funcionará con un controlador DMX usando una conexión serie DMX normal. Hay un Manual DMX disponible en www.chauvetprofessional.com.

Conexión DMX

El Ovation E-910FC usa una conexión de datos DMX normal para sus personalidades DMX: **3Ch, 5Ch, 7Ch, 10Ch, 12Ch, 13Ch, y 15Ch**. Vea el Manual de usuario para conectar y configurar para funcionamiento DMX

Conexión Maestro/Esclavo

El Ovation E-910FC usa la conexión de datos DMX para su modo Maestro/Esclavo Vea el Manual de usuario para conectar y configurar para funcionamiento Maestro/Esclavo.

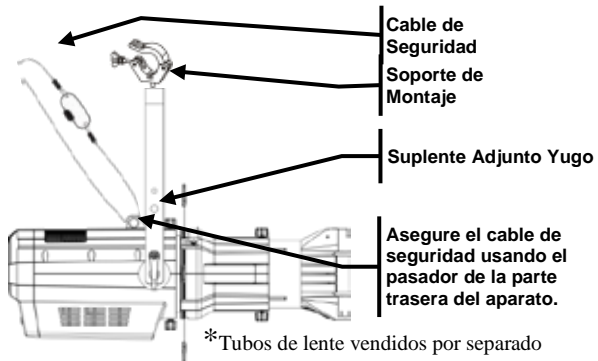
RDM (gestión remota del dispositivo)

Remote Device Management (gestión remota del dispositivo) o RDM, es un estándar que permite a los dispositivos con capacidad DMX una comunicación bidireccional por un cableado DMX existente. El Ovation E-910FC admite protocolo RDM, que posibilita información para supervisar la temperature y cambiar las opciones del mapa de menú **DMX Address** y **DMX Channel**. Descargue el manual de usuario de www.chauvetprofessional.com para una información más detallada.

Montaje

Antes de montar este producto, lea las [Notas de seguridad](#). Asegúrese de que las abrazaderas de montaje son capaces de soportar el peso del producto. Para nuestra línea Chauvet de abrazaderas de montaje, visite <http://trusst.com/products/>.

Diagrama de Montaje del Producto



Montaje en Alto

Descripción del Panel de Control

Botón	Función
<MENU>	Sale del menú o función actual
<ENTER>	Habilita el menú actualmente en pantalla o configura el valor seleccionado actualmente dentro de la función seleccionada
<UP>	Navega hacia arriba por la lista de menú y aumenta el valor numérico cuando está en una función
<DOWN>	Navega hacia abajo por la lista de menú y disminuye el valor numérico cuando está en una función

Rueda de Color Virtual (VCW)

El Ovation E-910FC incluye una función de rueda de color virtual llamada Virtual Color Wheel (VCW). Esta función está disponible como modo de control independiente para uso manual y también como canal de control en algunas personalidades DMX del dispositivo. Más de 30 colores premezclados, elaborados por nuestros ingenieros, están disponibles para facilitarle la programación.

Los valores DMX utilizados para mezclar estos colores se indican más abajo. Puede ajustar la intensidad general del dispositivo Ovation para reproducir más fielmente los colores a los que esté habituado. Hay un gráfico a su disposición en nuestro sitio web www.chauvetprofessional.com para comparar nuestros colores premezclados con los colores de gel más populares. Este gráfico sirve solamente para comparar y no implica que nuestros colores premezclados coincidan exactamente con los colores de gel listados.

Tabla de Colores

Valor del Canal DMX	Lectura en Pantalla	Valor Rojo	Valor Verde	Valor Azul	Valor Ámbar	Valor Limón
000 ó 005	--	000	000	000	000	000
006 ó 013	C3050 - Md Yellow	233	163	020	123	255
014 ó 021	C3040 - Lt Yellow	224	158	047	255	231
022 ó 028	C3240 - Amb Yellow	180	060	000	245	255
029 ó 035	C2340 - V Lt Amber	245	107	081	255	213
036 ó 043	C2040 - Lt Amber	230	130	062	255	155
044 ó 051	C2050 - Md Amber	255	000	025	255	194
052 ó 059	C2060 - Dk Amber	255	000	024	255	150
060 ó 067	C1050 - Lt Red	255	037	027	030	038
068 ó 075	C1080 - Md Red	255	004	017	000	000
076 ó 083	C1020 - NC Pink	238	135	129	255	255
084 ó 091	C1030 - Md Pink	255	131	120	255	195
092 ó 099	C1630 - Dk Pink	250	165	123	255	210
100 ó 107	C1250 - Md Red Amber	255	000	041	195	055
108 ó 115	C1060 - Dk Red Amber	255	000	045	120	030
116 ó 121	C1650 - Magenta	255	050	115	255	115
122 ó 130	C6170 - Dk Magenta	255	035	117	000	000
131 ó 138	C6020 - Lt Lavender	127	122	142	251	255
139 ó 146	C5030 - Lt Blue	000	255	197	100	255
147 ó 154	C5020 - V Lt Blue	158	255	189	000	255
155 ó 162	C5430 - Lt Blue 2	000	255	180	000	243
163 ó 170	C5070 - Blue	043	255	210	043	036
171 ó 178	C5050 - Md Blue	000	255	218	000	181
179 ó 186	C5060 - Dk Blue	000	210	206	000	118
187 ó 194	C5690 - Indigo	065	000	210	040	055
195 ó 202	C5080 - V Dk Blue	000	203	230	000	040
203 ó 210	C5081 - V Dk Blue 2	040	199	240	000	045
211 ó 218	C4370 - Yel Green	027	255	028	016	104
219 ó 226	C4070 - Green	049	255	055	120	090
227 ó 234	C4550 - Turquoise	060	230	109	000	245
235 ó 242	C4560 - Aqua	020	240	126	036	255
243 ó 250	C4570 - Blue Green	000	255	079	030	053
251 ó 255	--	000	000	000	000	000

Gráfico de temperaturas de color predefinidas	Valor del Canal DMX	Lectura en Pantalla	Valor Rojo	Valor Verde	Valor Azul	Valor Ámbar	Valor Limón
	000 ó 005	--	000	000	000	000	000
006 ó 025	2800K	255	199	107	253	255	
026 ó 050	3200K	253	247	129	255	255	
051 ó 075	3500K	234	255	141	253	255	
076 ó 100	4000K	204	255	156	243	255	
101 ó 125	4500K	181	248	166	224	255	
126 ó 150	5000K	160	255	180	241	255	
151 ó 175	5600K	138	255	191	241	255	
176 ó 200	6000K	147	255	193	203	255	
201 ó 225	6500K	142	251	197	187	255	
226 ó 255	--	000	000	000	000	000	



Nota: Las temperaturas de color que aparecen arriba son interpretaciones simuladas de la emisión de color producida cuando se compara con una lámpara de tungsteno a la temperatura de color especificada. Chauvet no garantiza la exactitud del color emitido.

Mapa de Menú

Nivel Principal	Niveles de Programación		Descripción	
DMX Address	<001–512>		Selecciona la dirección DMX de inicio	
DMX Channel	3Ch		3-canales: atenuador, VCW, temperature de color	
	5Ch		5-canales: control RVAAL	
	7Ch		7-canales: control RVAAL, atenuador, estroboscopio	
	10Ch		10-canales: control RVAAL, atenuador, fino atenuador, estroboscopio, VCW, temperatura de color	
	12Ch		12-canales: control RVAAL, atenuador, estroboscopio, VCW, temperatura de color, programas automática, velocidad automática, velocidad atenuador	
	13Ch		13-canales: control RVAAL, 16-bit-control RVAAL, atenuador, fino atenuador, estroboscopio	
Virtual Color Wheel	Virtual Color Wheel	C3050 - Md Yellow	Dimmer <000–255>	Rueda de Color Virtual (VCW) simula la emisión de cada gel de color. Consulte la sección Tabla de Colores para ver los valores específicos
		C3040 - Lt Yellow		
		C3240 - Amb Yellow		
		C2340 - V Lt Amber		
		C2040 - Lt Amber		
		C2050 - Md Amber		

Nivel Principal	Niveles de Programación			Descripción	
Virtual Color Wheel (cont.)	Virtual Color Wheel (cont.)	C2060 - Dk Amber	Dimmer	<000–255>	Rueda de Color Virtual (VCW) simula la emisión de cada gel de color. Consulte la sección Tabla de Colores para ver los valores específicos
		C1050 - Lt Red			
		C1080 - Md Red			
		C1020 - NC Pink			
		C1030 - Md Pink			
		C1630 - Dk Pink			
		C1250 - Md Red Amber			
		C1060 - Dk Red Amber			
		C1650 - Magenta			
		C6170 - Dk Magenta			
		C6020 - Lt Lavender			
		C5030 - Lt Blue			
		C5020 - VLt Blue			
		C5430 - Lt Blue 2			
		C5070 - Blue			
		C5050 - Md Blue			
		C5060 - Dk Blue			
		C5690 - Indigo			
		C5080 - VDk Blue			
		C5081 - VDk Blue 2			
C4370 - Yel Green					
C4070 - Green					
C4550 - Turquoise					
C4560 - Aqua					
C4570 - Blue Green					
Virtual Color Wheel (cont.)	Color Temperature	2800K	Dimmer	<000–255>	Temperaturas de color blanco preconfiguradas Emula una lámpara de tungsteno a la temperatura de color especificada. Consulte el apartado Gráfico de temperaturas de color predefinidas para ver valores concretos
		3200K			
		3500K			
		4000K			
		4500K			
		5000K			
		5600K			
		6000K			
		6500K			
Virtual Color Wheel (cont.)	Manual Color Mixer	Red	<0–255>	Combina rojo, verde, azul, ámbar y lime para generar un color personalizado (0–100%)	
		Green			
		Blue			
		Amber			
		Lime			

Nivel Principal	Niveles de Programación		Descripción	
Auto Show	Auto 1	<1-100>	Selecciona programas automáticos y velocidad de programas automáticos	
	Auto 2			
	Auto 3			
	Auto 4			
	Auto 5			
Master/Slave	Master		Recibe señales DMX del controlador DMX	
	Slave		Recibe señales del maestro	
Dimmer Mode	Off		Curvas de atenuador rápido (Dimmer1) a lento (Dimmer3) o sin atenuador (Off)	
	Dimmer 1-3			
White Balance	OFF		Utiliza la configuración de blanco predeterminada de fábrica	
	Manual	Red	<125-255>	
		Green		Establece el valor máximo de LED verde
		Blue		Establece el valor máximo de LED azul
LED Frequency	600Hz		Selecciona la frecuencia de emisión PWM	
	1200Hz			
	2000Hz			
	4000Hz			
	6000Hz			
	25KHz			
Fan Mode	Auto		Equilibra la refrigeración del LED usando los ventiladores y el nivel de potencia	
	On		Mantiene la refrigeración del LED usando los ventiladores permitiendo plena potencia	

Nivel Principal	Niveles de Programación		Descripción
Back Light	On		Retro-iluminación de la pantalla siempre activa
	10S		Retro-iluminación de la pantalla se apaga después de 10 segundos de inactividad
	20S		Retro-iluminación de la pantalla se apaga después de 20 segundos de inactividad
	30S		Retro-iluminación de la pantalla se apaga después de 30 segundos de inactividad
Information	Fixture Hours	<_ _ _ _ H>	Muestra el nombre total de las horas del producto
	Version	<V_ _>	Muestra instalada la versión de software
	UID:	-----	Muestra actual UID #

Valores DMX

15Ch	Canal	Función	Valor	Porcentaje/Configuración
	1	Atenuador	000 ó 255	0–100%
	2	Atenuador fino	000 ó 255	0–100%
	3	Rojo	000 ó 255	0–100%
	4	Rojo fino	000 ó 255	0–100%
	5	Verde	000 ó 255	0–100%
	6	Verde fino	000 ó 255	0–100%
	7	Azul	000 ó 255	0–100%
	8	Azul fino	000 ó 255	0–100%
	9	Ámbar	000 ó 255	0–100%
	10	Ámbar fino	000 ó 255	0–100%
	11	Limón	000 ó 255	0–100%
	12	Limón fino	000 ó 255	0–100%
	13	Estroboscopio	000 ó 010 011 ó 255	Sin función Lento a rápido
	14	Rueda de Color Virtual (VCW)	000 ó 255	Consulte la sección Tabla de Colores para ver los valores específicos
	15	Temperatura de Color	000 ó 255	Consulte el apartado Gráfico de temperaturas de color predefinidas para ver valores concretos

13Ch	Canal	Función	Valor	Porcentaje/Configuración
	1	Atenuador	000 ó 255	0-100%
	2	Atenuador fino	000 ó 255	0-100%
	3	Rojo	000 ó 255	0-100%
	4	Rojo fino	000 ó 255	0-100%
	5	Verde	000 ó 255	0-100%
	6	Verde fino	000 ó 255	0-100%
	7	Azul	000 ó 255	0-100%
	8	Azul fino	000 ó 255	0-100%
	9	Ámbar	000 ó 255	0-100%
	10	Ámbar fino	000 ó 255	0-100%
	11	Limón	000 ó 255	0-100%
	12	Limón fino	000 ó 255	0-100%
	13	Estroboscopio	000 ó 010 011 ó 255	Sin función Lento a rápido

12Ch	Canal	Función	Valor	Porcentaje/Configuración
	1	Atenuador	000 ó 255	0-100%
	2	Rojo	000 ó 255	0-100%
	3	Verde	000 ó 255	0-100%
	4	Azul	000 ó 255	0-100%
	5	Ámbar	000 ó 255	0-100%
	6	Limón	000 ó 255	0-100%
	7	Estroboscopio	000 ó 010 011 ó 255	Sin función Lento a rápido
	8	Rueda de Color Virtual (VCW)	000 ó 255	Consulte la sección Tabla de Colores para ver los valores específicos
	9	Temperatura de Color	000 ó 255	Consulte el apartado Gráfico de temperaturas de color predefinidas para ver valores concretos
	10	Programas Automática	000 ó 010 011 ó 060 061 ó 110 111 ó 160 161 ó 210 211 ó 255	Sin función Auto 1 Auto 2 Auto 3 Auto 4 Auto 5
	11	Velocidad Automática	000 ó 255	Lento a rápido
	12	Velocidad Atenuador	000 ó 051 052 ó 101 102 ó 152 153 ó 203 204 ó 255	Pre configura la velocidad del atenuador desde la pantalla de menú Atenuador lineal Curva de atenuación no-lineal 1 (la más rápida) Curva de atenuación no-lineal 2 Curva de atenuación no-lineal 3

10Ch	Canal	Función	Valor	Porcentaje/Configuración
	1	Atenuador	000 ó 255	0-100%
	2	Atenuador fino	000 ó 255	0-100%
	3	Rojo	000 ó 255	0-100%
	4	Verde	000 ó 255	0-100%
	5	Azul	000 ó 255	0-100%
	6	Ámbar	000 ó 255	0-100%
	7	Limón	000 ó 255	0-100%
	8	Estroboscopio	000 ó 010 011 ó 255	Sin función Lento a rápido
	9	Rueda de Color Virtual (VCW)	000 ó 255	Consulte la sección Tabla de Colores para ver los valores específicos
	10	Temperatura de Color	000 ó 255	Consulte el apartado Gráfico de temperaturas de color predefinidas para ver valores concretos

7Ch	Canal	Función	Valor	Porcentaje/Configuración
	1	Atenuador	000 ó 255	0-100%
	2	Rojo	000 ó 255	0-100%
	3	Verde	000 ó 255	0-100%
	4	Azul	000 ó 255	0-100%
	5	Ámbar	000 ó 255	0-100%
	6	Limón	000 ó 255	0-100%
	7	Estroboscopio	000 ó 010 011 ó 255	Sin función Lento a rápido

5Ch	Canal	Función	Valor	Porcentaje/Configuración
	1	Rojo	000 ó 255	0-100%
	2	Verde	000 ó 255	0-100%
	3	Azul	000 ó 255	0-100%
	4	Ámbar	000 ó 255	0-100%
	5	Limón	000 ó 255	0-100%

3Ch	Canal	Función	Valor	Porcentaje/Configuración
	1	Atenuador	000 ó 255	0-100%
	2	Rueda de Color Virtual (VCW)	000 ó 255	Consulte la sección Tabla de Colores para ver los valores específicos
	3	Temperatura de Color	000 ó 255	Consulte el apartado Gráfico de temperaturas de color predefinidas para ver valores concretos

À Propos de ce Manuel

Le Manuel de Référence (MR) Ovation E-910FC reprend des informations de base sur ce produit notamment en matière de connexions, montage, options de menu et valeurs DMX. Téléchargez le manuel d'utilisation sur www.chauvetprofessional.com pour de plus amples informations.

Clause de Non-Responsabilité

Les informations et caractéristiques contenues dans ce manuel sont sujettes à changement sans préavis.

Consignes de Sécurité

- N'ouvrez PAS ce produit. Il ne contient aucun composant susceptible d'être réparé par l'utilisateur.
- Ne regardez PAS la source lumineuse lorsque le produit fonctionne.
- Durant les périodes de non-utilisation, pour éviter toute usure inutile et pour prolonger la durée de vie, déconnectez-entièrement l'appareil en le débranchant de l'alimentation électrique ou en coupant le disjoncteur.
- ATTENTION: Lorsque l'appareil est transféré d'un environnement à température extrême à un autre (par exemple d'un camion froid vers une salle de bal chaude et humide), de la condensation peut se former sur les composants électriques internes. Pour éviter de causer des dommages, laissez l'appareil s'acclimater entièrement au milieu environnant avant de le mettre sous tension.
- ATTENTION: le boîtier de ce produit est brûlant lors du fonctionnement.
- Montez toujours ce produit dans un endroit bien ventilé, à au moins, 20 pouces (50 cm) des surfaces adjacentes.
- Ne laissez AUCUNE source inflammable dans un rayon de 50 cm du produit lorsque celui-ci fonctionne.
- Utilisez TOUJOURS un câble de sécurité lorsque vous montez ce produit en hauteur.
- N'utilisez PAS ce produit en extérieur ou tout autre endroit où de la poussière, une chaleur excessive, de l'eau ou de l'humidité peut en affecter le fonctionnement.
- N'utilisez PAS ce produit si le boîtier, les lentilles ou les câbles vous semblent endommagés.
- Ne connectez PAS ce produit ni à un gradateur ni à un rhéostat.
- Connectez UNIQUEMENT ce produit à un circuit protégé et relié à la terre.
- Transportez/Suspendez ce produit UNIQUEMENT au moyen de la poignée ou lyre de suspension dont il est doté.
- En cas de sérieux problèmes de fonctionnement, arrêtez le système immédiatement.
- La température ambiante maximale supportée par ce produit est de 113 °F (45 °C). Ne le faites pas fonctionner à des températures plus élevées.

Contact

En dehors des États-Unis, du Royaume-Uni et de l'Irlande, du Mexique, ou de Benelux contactez votre fournisseur si vous avez besoin d'assistance ou de retourner votre produit. Consultez le site www.chauvetprofessional.com pour trouver nos coordonnées.

Ce qui est Inclus

- Un Ovation E-910FC
- Une fiche de Garantie
- Un Cordon d'Alimentation Neutrik powerCON
- Un Manuel de Référence

Alimentation CA Ce produit est doté d'une alimentation universelle prenant en charge toute tension d'entrée comprise entre 100 et 240 VCA, 50/60 Hz.

Connexion Électrique Vous pouvez connecter jusqu'à 6 Ovation E-910FC à 120 V, 11 unités à 208 V ou 12 unités à 230 V. Vous pouvez vous procurer séparément des cordons d'alimentation.

Prise CA	Connexion	Câble (États-Unis)	Câble (Europe)	Couleur de la Vis
	Conducteur CA	Noir	Marron	Jaune/Cuivré
	Neutre CA	Blanc	Bleu	Argenté
	Terre CA	Vert/Jaune	Vert/Jaune	Vert



Durant les périodes de non-utilisation, pour éviter toute usure inutile et pour prolonger la durée de vie, déconnectez-entièrement l'appareil en le débranchant de l'alimentation électrique ou en coupant le disjoncteur.

- Remplacement du Fusible**
1. Débranchez l'appareil de la prise.
 2. À l'aide d'un tournevis Philips à tête n° 2, dévissez le couvercle du porte-fusible.
 3. Remplacez le fusible obsolète par un fusible neuf équivalent
 4. Revissez le couvercle du porte-fusible et rebranchez l'unité.

Raccordement DMX Le Ovation E-910FC fonctionnera avec un jeu d'orgues DMX au moyen de connexions DMX en série standard. Une introduction au DMX est à votre disposition sur www.chauvetprofessional.com.

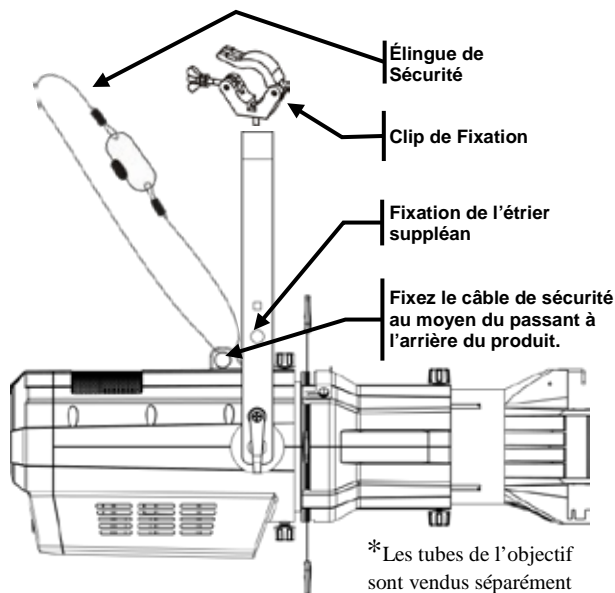
Connexion DMX Le Ovation E-910FC utilise une connexion de données DMX standard pour ses personnalités DMX: **3Ch**, **5Ch**, **7Ch**, **10Ch**, **12Ch**, **13Ch**, et **15Ch**. Consultez le manuel d'utilisation pour connecter et configurer le système DMX.

Connexion Maître/Esclave Le Ovation E-910FC utilise une connexion de données DMX pour son mode Maître/Esclave. Consultez le Manuel d'Utilisation pour connecter et configurer le mode de fonctionnement Maître/Esclave.

RDM (Gestion des périphériques à distance) Le protocole RDM (gestion des périphériques à distance) est un standard pour la communication bidirectionnelle des appareils dotés de fonctions DMX dans un câblage DMX existant. Le Ovation E-910FC supporte le protocole RDM permettant un retour d'information pour la surveillance de la température et des changements des options de menu **DMX Address** et **DMX Channel**. Veuillez télécharger le manuel de l'utilisateur à partir du site internet www.chauvetprofessional.com pour plus de détails.

Installation Avant de monter cet appareil, lisez et assimilez les [Consignes de Sécurité](#). Veuillez à ce que les fixations sont capables de supporter le poids de l'unité. Découvrez notre gamme de fixations Chauvet sur <http://trusst.com/products/>.

**Schéma de
Montage
de l'appareil**



Montage en Hauteur

**Description du
Tableau de
Commandes**

Bouton	Fonction
<MENU>	Permet la sortie du menu ou de la fonction en cours
<ENTER>	Permet l'affichage du menu en cours ou permet de configurer la valeur en cours dans la fonction sélectionnée
<UP>	Permet de parcourir les listes de menu vers le haut, dans une fonction permet d'augmenter les valeurs numériques
<DOWN>	Permet de parcourir les listes de menu vers le bas, dans une fonction permet de diminuer les valeurs numériques

Roue de Couleurs Virtuelles (VCW)

Le Ovation F-910FC dispose d'une fonction appelée Roue de Couleur Virtuelle (VCW - Virtual Color Wheel). Cette fonction est disponible en mode de contrôle autonome pour une utilisation manuelle mais également en tant que canal de contrôle dans certaines personnalités DMX. Plus de 30 couleurs pré-mélangées, personnalisées par nos ingénieurs, sont disponibles pour faciliter la programmation.

Les valeurs DMX utilisées pour mélanger ces couleurs sont indiquées ci-dessous. Vous pouvez ajuster l'intensité globale du Ovation afin de reproduire plus fidèlement les couleurs que vous avez l'habitude d'utiliser. Un graphique est disponible sur notre site Web à l'adresse www.chauvetprofessional.com pour comparer nos couleurs pré-mélangées avec des couleurs de gel populaires. Ce tableau est fourni uniquement à des fins de comparaison et ne certifie pas que nos couleurs pré-mélangées correspondent aux couleurs de gel énumérées.

Gamme de Couleurs	Valeurs des Canaux DMX	Affichage à l'Écran	Valeur Rouge	Valeur Vert	Valeur Bleu	Valeur Ambre	Valeur Lime
	000	--	000	000	000	000	000
	006	C3050 - Md Yellow	233	163	020	123	255
	014	C3040 - Lt Yellow	224	158	047	255	231
	022	C3240 - Amb Yellow	180	060	000	245	255
	029	C2340 - V Lt Amber	245	107	081	255	213
	036	C2040 - Lt Amber	230	130	062	255	155
	044	C2050 - Md Amber	255	000	025	255	194
	052	C2060 - Dk Amber	255	000	024	255	150
	060	C1050 - Lt Red	255	037	027	030	038
	068	C1080 - Md Red	255	004	017	000	000
	076	C1020 - NC Pink	238	135	129	255	255
	084	C1030 - Md Pink	255	131	120	255	195
	092	C1630 - Dk Pink	250	165	123	255	210
	100	C1250 - Md Red Amber	255	000	041	195	055
	108	C1060 - Dk Red Amber	255	000	045	120	030
	116	C1650 - Magenta	255	050	115	255	115
	122	C6170 - Dk Magenta	255	035	117	000	000
	131	C6020 - Lt Lavender	127	122	142	251	255
	139	C5030 - Lt Blue	000	255	197	100	255
	147	C5020 - V Lt Blue	158	255	189	000	255
	155	C5430 - Lt Blue 2	000	255	180	000	243
	163	C5070 - Blue	043	255	210	043	036
	171	C5050 - Md Blue	000	255	218	000	181
	179	C5060 - Dk Blue	000	210	206	000	118
	187	C5690 - Indigo	065	000	210	040	055
	195	C5080 - V Dk Blue	000	203	230	000	040
	203	C5081 - V Dk Blue 2	040	199	240	000	045
	211	C4370 - Yel Green	027	255	028	016	104
	219	C4070 - Green	049	255	055	120	090
	227	C4550 - Turquoise	060	230	109	000	245
	235	C4560 - Aqua	020	240	126	036	255
	243	C4570 - Blue Green	000	255	079	030	053
	251	--	000	000	000	000	000



Remarque : Les couleurs ci-dessus sont des rendus simulés de couleurs produits sur base des couleurs émises par les appareils à incandescence. Chauvet ne peut garantir l'exactitude du rendu d'une couleur.

Graphique des températures de couleur prédéfinies	Valeurs des Canaux DMX	Affichage à l'Écran	Valeur Rouge	Valeur Vert	Valeur Bleu	Valeur Ambre	Valeur Lime
	000◊005	--	000	000	000	000	000
	006◊025	2800K	255	199	107	253	255
	026◊050	3200K	253	247	129	255	255
	051◊075	3500K	234	255	141	253	255
	076◊100	4000K	204	255	156	243	255
	101◊125	4500K	181	248	166	224	255
	126◊150	5000K	160	255	180	241	255
	151◊175	5600K	138	255	191	241	255
	176◊200	6000K	147	255	193	203	255
	201◊225	6500K	142	251	197	187	255
	226◊255	--	000	000	000	000	000



Remarque : Les températures de couleur ci-dessus sont des rendus simulés de la sortie de couleur effectivement générée par comparaison avec une lampe tungstène à la température de couleur spécifiée. Chauvet ne donne aucune garantie sur la précision de la sortie de couleur.

Tableau de Menu

Niveau Principal	Niveaux de Programmation			Description	
DMX Address	<001-512>			Sélectionne l'adresse DMX de départ	
DMX Channel	3Ch			3- canaux: gradateur, VCW, température de la couleur	
	5Ch			5- canaux: RVBAL control	
	7Ch			7- canaux: RVBAL control, gradateur, stroboscope	
	10Ch			10- canaux: RVBAL control, gradateur, gradateur fin, stroboscope, VCW, température de la couleur	
	12Ch			12- canaux: RVBAL, gradateur, stroboscope, macro de couleurs, effet d'anneau, vitesse gradateur, vitesse auto, VCW	
	13Ch			13- canaux: 16-bit RVBAL control, gradateur, gradateur fin, stroboscope	
Virtual Color Wheel	Virtual Color Wheel	C3050 - Md Yellow	Dimmer	<001-512>	Roue de Couleurs Virtuelles (VCW) simule le rendu des gélamines de couleur. Consultez la section Gamme de Couleurs pour en connaître les valeurs spécifiques
		C3040 - Lt Yellow			
		C3240 - Amb Yellow			
		C2340 - VLt Amber			
		C2040 - Lt Amber			
		C2050 - Md Amber			
		C2060 - Dk Amber			

Niveau Principal	Niveaux de Programmation			Description	
Virtual Color Wheel (Suite)	Virtual Color Wheel (Suite)	C1050 - Lt Red	Dimmer	<001-512>	Roue de Couleurs Virtuelles (VCW) simule le rendu des gélamines de couleur. Consultez la section Gamme de Couleurs pour en connaître les valeurs spécifiques
		C1080 - Md Red			
		C1020 - NC Pink			
		C1030 - Md Pink			
		C1630 - Dk Pink			
		C1250 - Md Red Amber			
		C1060 - Dk Red Amber			
		C1650 - Magenta			
		C6170 - Dk Magenta			
		C6020 - Lt Lavender			
		C5030 - Lt Blue			
		C5020 - Vlt Blue			
		C5430 - Lt Blue 2			
		C5070 - Blue			
		C5050 - Md Blue			
		C5060 - Dk Blue			
		C5690 - Indigo			
		C5080 - Vdk Blue			
		C5081 - Vdk Blue 2			
		C4370 - Yel Green			
C4070 - Green					
C4550 - Turquoise					
C4560 - Aqua					
C4570 - Blue Green					
Virtual Color Wheel (Suite)	Color Temperature	2800K	Dimmer	<001-512>	Températures de couleur de blanc prédéfinies. Simule une lampe tungstène à la température de couleur spécifiée. Référez vous à la section Graphique des températures de couleur prédéfinies pour les valeurs spécifiques
		3200K			
		3500K			
		4000K			
		4500K			
		5000K			
		5600K			
		6000K			
		6500K			
Virtual Color Wheel (Suite)	Manual Color Mixer	Red	<0-255>	Combine les couleurs rouge, vert, bleu, ambre et lime pour un résultat personnalisé (0-100%)	
		Green			
		Blue			
		Amber			
		Lime			

Niveau Principal	Niveaux de Programmation		Description	
Auto Show	Auto 1	<1-100>	Sélectionne les programmes automatiques et vitesse auto	
	Auto 2			
	Auto 3			
	Auto 4			
	Auto 5			
Master/Slave	Master		Reçoit les signaux DMX du contrôleur DMX	
	Slave		Reçoit les signaux DMX du maître	
Dimmer Mode	Off		Courbes de gradation rapide (Dimmer1) à lent (Dimmer3) ou pas de gradateur (Off)	
	Dimmer 1-3			
White Balance	OFF		Utilise le paramétrage de blanc définit en usine	
	Manual	Red	<125-255>	
		Green		Définit la valeur maximale de LED verte
		Blue		Définit la valeur maximale de LED bleue
LED Frequency	600Hz		Permet de sélectionner la fréquence de sortie MLI	
	1200Hz			
	2000Hz			
	4000Hz			
	6000Hz			
	25KHz			
Fan Mode	Auto		Équilibre le refroidissement des LED entre le niveau de puissance de rendu et l'utilisation des ventilateurs	
	On		Maintient le refroidissement des LED en utilisant les ventilateurs, permettant ainsi un niveau de puissance de rendu maximal	

Niveau Principal	Niveaux de Programmation		Description
Back Light	On		Affichage rétro-éclairage toujours active
	10S		Désactive l'affichage rétro-éclairage après 10 secondes d'inactivité
	20S		Désactive l'affichage rétro-éclairage après 20 secondes d'inactivité
	30S		Désactive l'affichage rétro-éclairage après 30 secondes d'inactivité
Information	Fixture Hours	<_ _ _ _H>	Affiche le nombre total des heures du produit
	Version	<V_ _>	Affiche la version du logiciel installée
	UID:	_ _ _ _ _	Affiche UID actuel #

Valeurs DMX

15Ch	Canal	Fonction	Valeur	Pourcentage/Configuration
	1	Gradateur	000ó 255	0–100%
	2	Gradateur Fin	000ó 255	0–100%
	3	Rouge	000ó 255	0–100%
	4	Rouge Fin	000ó 255	0–100%
	5	Vert	000ó 255	0–100%
	6	Vert Fin	000ó 255	0–100%
	7	Bleu	000ó 255	0–100%
	8	Bleu Fin	000ó 255	0–100%
	9	Ambre	000ó 255	0–100%
	10	Ambre Fin	000ó 255	0–100%
	11	Lime	000ó 255	0–100%
	12	Lime Fin	000ó 255	0–100%
	13	Stroboscope	000ó 010 011ó 255	Pas de fonction Lent à rapide
	14	Roue de Couleurs Virtuelles	000ó 255	Consultez la section Gamme de Couleurs pour en connaître les valeurs spécifiques
	15	Température de la Couleur	000ó 255	Référez vous à la section Graphique des températures de couleur prédéfinies pour les valeurs spécifiques

13Ch	Canal	Fonction	Valeur	Pourcentage/Configuration
	1	Gradateur	000ó 255	0-100%
	2	Gradateur Fin	000ó 255	0-100%
	3	Rouge	000ó 255	0-100%
	4	Rouge Fin	000ó 255	0-100%
	5	Vert	000ó 255	0-100%
	6	Vert Fin	000ó 255	0-100%
	7	Bleu	000ó 255	0-100%
	8	Bleu Fin	000ó 255	0-100%
	9	Ambre	000ó 255	0-100%
	10	Ambre Fin	000ó 255	0-100%
	11	Lime	000ó 255	0-100%
	12	Lime Fin	000ó 255	0-100%
	13	Stroboscope	000ó 010 011ó 255	Pas de fonction Lent à rapide

12Ch	Canal	Fonction	Valeur	Pourcentage/Configuration
	1	Gradateur	000ó 255	0-100%
	2	Rouge	000ó 255	0-100%
	3	Vert	000ó 255	0-100%
	4	Bleu	000ó 255	0-100%
	5	Ambre	000ó 255	0-100%
	6	Lime	000ó 255	0-100%
	7	Stroboscope	000ó 010 011ó 255	Pas de fonction Lent à rapide
	8	Roue de Couleurs Virtuelles	000ó 255	Consultez la section Gamme de Couleurs pour en connaître les valeurs spécifiques
	9	Température de la Couleur	000ó 255	Référez vous à la section Graphique des températures de couleur prédéfinies pour les valeurs spécifiques
	10	Programmes Auto	000ó 010 011ó 060 061ó 110 111ó 160 161ó 210 211ó 255	Pas de fonction Auto 1 Auto 2 Auto 3 Auto 4 Auto 5
	11	Vitesse Auto	000ó 255	Lent à rapide
	12	Vitesse du Gradateur	000ó 051 052ó 101 102ó 152 153ó 203 204ó 255	Vitesse du gradateur prédéfinie depuis le menu Gradateur linéaire Courbe de gradation non linéaire 1 (le plus rapide) Courbe de gradation non linéaire 2 Courbe de gradation non linéaire 3 (le moins rapide)

10Ch	Canal	Fonction	Valeur	Pourcentage/Configuration
	1	Gradateur	000ó 255	0-100%
	2	Gradateur Fin	000ó 255	0-100%
	3	Rouge	000ó 255	0-100%
	4	Vert	000ó 255	0-100%
	5	Bleu	000ó 255	0-100%
	6	Ambre	000ó 255	0-100%
	7	Lime	000ó 255	0-100%
	8	Stroboscope	000ó 010 011ó 255	Pas de fonction Lent à rapide
	9	Roue de Couleurs Virtuelles	000ó 255	Consultez la section Gamme de Couleurs pour en connaître les valeurs spécifiques
	10	Température de la Couleur	000ó 255	Référez vous à la section Graphique des températures de couleur prédéfinies pour les valeurs spécifiques

7Ch	Canal	Fonction	Valeur	Pourcentage/Configuration
	1	Gradateur	000ó 255	0-100%
	2	Rouge	000ó 255	0-100%
	3	Vert	000ó 255	0-100%
	4	Bleu	000ó 255	0-100%
	5	Ambre	000ó 255	0-100%
	6	Lime	000ó 255	0-100%
	7	Stroboscope	000ó 010 011ó 255	Pas de fonction Lent à rapide

5Ch	Canal	Fonction	Valeur	Pourcentage/Configuration
	1	Rouge	000ó 255	0-100%
	2	Vert	000ó 255	0-100%
	3	Bleu	000ó 255	0-100%
	4	Ambre	000ó 255	0-100%
	5	Lime	000ó 255	0-100%

3Ch	Canal	Fonction	Valeur	Pourcentage/Configuration
	1	Gradateur	000ó 255	0-100%
	2	Roue de Couleurs Virtuelles	000ó 255	Consultez la section Gamme de Couleurs pour en connaître les valeurs spécifiques
	3	Température de la Couleur	000ó 255	Référez vous à la section Graphique des températures de couleur prédéfinies pour les valeurs spécifiques

Over deze handleiding

De Ovation E-910FC Beknopte Handleiding (BH) bevat basisinformatie over het product, zoals aansluiting, montage, menu-opties en DMX-waarden. Download de gebruikershandleiding op www.chauvetprofessional.com voor meer informatie.

Disclaimer

De informatie en specificaties in deze BH kunnen zonder voorafgaande kennisgeving worden gewijzigd.

Veiligheidsinstructies

- Open het product NIET. Het bevat geen te onderhouden onderdelen.
- KIK NIET in de lichtbron wanneer het apparaat is ingeschakeld.
- Om onnodige slijtage te elimineren en zijn levensduur te verlengen, gedurende perioden wanneer het product niet wordt gebruikt, moet u het product van de stroom afsluiten door een aardlekschakelaar om te zetten of door het te ontkoppelen.
- LET OP: Bij het verplaatsen van het product uit extreme omgevingen, (bijv. koude vrachtwagen naar warme, vochtige balzaal) kan er condensvorming optreden op de elektronica van het product. Om storingen te vermijden moet het product volledig kunnen acclimatiseren aan de omgeving voordat het op stroom wordt aangesloten.
- LET OP: De behuizing van dit product kan heet zijn wanneer het in bedrijf is.
- Monteer dit product op een plek met voldoende ventilatie, ten minste 50 cm van de aangrenzende oppervlakken.
- Plaats geen ontvlambaar materiaal binnen 50 cm van dit product als het in gebruik is of is aangesloten op het stopcontact.
- GEBRUIK een veiligheidskabel bij het boven het hoofd plaatsen van dit product.
- Gebruik dit product NIET buitenshuis of op een locatie waar stof, grote warmte, water of vochtigheid het kunnen beïnvloeden.
- Gebruik dit product NIET als de behuizing, lenzen of kabels beschadigd lijken.
- Sluit dit product NIET aan op een dimmer of een regelweerstand.
- Sluit dit product UITSLUITEND op een geaard en beveiligd stroomcircuit.
- Gebruik UITSLUITEND de ophang-/montagebeugels of de hendels om dit product te dragen.
- Stop in het geval van ernstige operationele problemen onmiddellijk met het gebruik.
- De maximale omgevingstemperatuur bedraagt 45 °C. Gebruik dit product niet bij hogere temperaturen.

Contact

Van buiten de VS, Verenigd Koninkrijk, Ierland, Mexico of België kunt u contact opnemen met de distributeur of om ondersteuning vragen dan wel het product retourneren. Ga naar www.chauvetprofessional.com voor contactinformatie.

Wat is inbegrepen

- Ovation E-910FC
- Neutrik powerCON stroomsnoer
- Garantiekaart
- Beknopte handleiding

AC-stroom

Dit product heeft een voeding met automatisch bereik die werkt met een ingangsspanning van 100–240 VAC, 50/60 Hz.

Power Linking

U kunt tot 6 Ovation E-910FC -producten koppelen bij 120 V, 11 producten bij 208 V of 12 producten bij 230 V. Dit aantal niet overschrijden. Power Linking-snoeren kunnen apart aangeschaft worden.

AC-stekker	Aansluiting	Snoer (VS)	Snoer (Europa)	Schroefkleur
	AC Live	Zwart	Bruin	Geel/messing
	AC Neutraal	Wit	Blauw	Zilver
	AC Aarde	Groen/geel	Groen/geel	Groen



Om onnodige slijtage te elimineren en zijn levensduur te verlengen, gedurende perioden wanneer het product niet wordt gebruikt, moet u het product van de stroom afsluiten door een aardlekschakelaar om te zetten of door het te ontkoppelen.

De zekering vervangen

1. Ontkoppel dit product van de stroom.
2. Gebruik een kruiskopschroevendraaier nr. 2 en schroef de kap van de zekeringhouder los van de behuizing.
3. Verwijder de doorgebrande zekering en vervang het met een werkende zekering van hetzelfde type en met dezelfde waarde.
4. Schroef de kap van de zekeringhouder terug en steek de stekker er weer in.

DMX-koppeling

De Ovation E-910FC kan met een DMX-controller werken met een normale DMX seriële verbinding. Op www.chauvetprofessional.com is een DMX-basishandleiding verkrijgbaar.

DMX-aansluiting

De Ovation E-910FC gebruikt een normale DMX-gegevensverbinding voor zijn DMX-persoonlijkheden: **3Ch**, **5Ch**, **7Ch**, **10Ch**, **12Ch**, **13Ch**, en **15Ch**. Zie de gebruikershandleiding om te verbinden en te configureren voor DMX-werking.

Master/slave-verbinding

De Ovation E-910FC maakt gebruik van de DMX-dataverbinding voor haar Master-/Slave-modus. Zie de gebruikershandleiding om te verbinden en te configureren voor Master/Slave-werking.

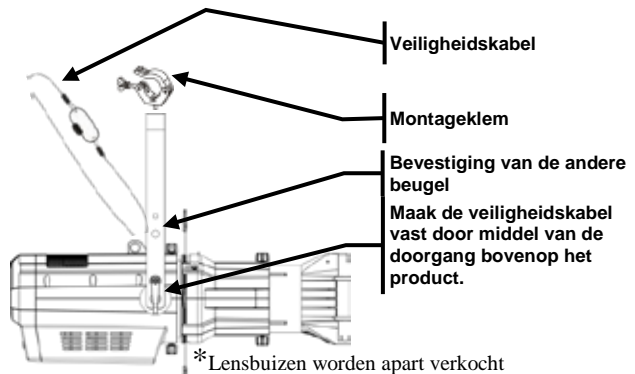
RDM (apparaatbeheer op afstand)

Remote Device Management of RDM (apparaatbeheer op afstand) is een standaard die het voor DMX-apparaten mogelijk maakt om in twee richtingen te communiceren over bestaande DMX-kabels. De Ovation E-910FC ondersteunt het RDM-protocol dat zorgt feedback toelaat bij de bewaking van Temperatuur en wijzigingen aan de menu map-opties van **DMX Address** en **DMX Channel**. Download de gebruikershandleiding op www.chauvetprofessional.com voor meer informatie.

Montage

Lees alvorens dit product te monteren alle [Veiligheidsvoorschriften](#). Controleer of de montageklem het gewicht van het product kan dragen. Ga voor onze Chauvet-serie montageklemmen naar <http://trusst.com/products/>.

Montagediagram van het product



Montage boven het hoofd

Beschrijving bedieningsp aneel

Toets	Functie
<MENU>	Sluit het huidige menu of functie af
<ENTER>	Activeert het huidige getoonde menu of plaatst de huidige geselecteerde waarde in de geselecteerde functie
<UP>	Navigeert omhoog via het menu of verhoogt de numerieke waarde wanneer in een functie
<DOWN>	Navigeert omlaag via het menu of verlaagt de numerieke waarde wanneer in een functie

Virtueel kleurenwiel

De Ovation E-910FC bevat een functie, genaamd het virtuele kleurenwiel (Virtual Color Wheel, VCW). Deze functie is beschikbaar als een losstaande bedieningsmodus voor handmatig gebruik en ook als een bedieningskanaal in de geselecteerde DMX-persoonlijkheden van de producten. Voor eenvoudiger programmering zijn er meer dan 30 voorgemengde kleuren beschikbaar die speciaal door onze technici zijn samengesteld.

De DMX-waarden die worden gebruikt voor het mengen van deze kleuren staan hieronder vermeld. U kunt de algehele intensiteit van het Ovation-armatuur aanpassen om de kleuren waarmee u bekend bent beter na te bootsen. Op onze website www.chauvetprofessional.com is een tabel beschikbaar om onze voorgemengde kleuren te vergelijken met populaire gelkleuren. Deze grafiek is uitsluitend bedoeld voor vergelijkingsdoeleinden en vormt geen garantie dat onze voorgemengde kleuren overeenkomen met de vermelde gelkleuren.

Kleurenkaart

DMX-kanaalwaarde	Weergave op het display	Rode waarde	Groene waarde	Blauwe waarde	Gele waarde	Lime waarde
000 005	--	000	000	000	000	000
006 013	C3050 - Md Yellow	233	163	020	123	255
014 021	C3040 - Lt Yellow	224	158	047	255	231
022 028	C3240 - Amb Yellow	180	060	000	245	255
029 035	C2340 - VLt Amber	245	107	081	255	213
036 043	C2040 - Lt Amber	230	130	062	255	155
044 051	C2050 - Md Amber	255	000	025	255	194
052 059	C2060 - Dk Amber	255	000	024	255	150
060 067	C1050 - Lt Red	255	037	027	030	038
068 075	C1080 - Md Red	255	004	017	000	000
076 083	C1020 - NC Pink	238	135	129	255	255
084 091	C1030 - Md Pink	255	131	120	255	195
092 099	C1630 - Dk Pink	250	165	123	255	210
100 107	C1250 - Md Red Amber	255	000	041	195	055
108 115	C1060 - Dk Red Amber	255	000	045	120	030
116 121	C1650 - Magenta	255	050	115	255	115
122 130	C6170 - Dk Magenta	255	035	117	000	000
131 138	C6020 - Lt Lavender	127	122	142	251	255
139 146	C5030 - Lt Blue	000	255	197	100	255
147 154	C5020 - VLt Blue	158	255	189	000	255
155 162	C5430 - Lt Blue 2	000	255	180	000	243
163 170	C5070 - Blue	043	255	210	043	036
171 178	C5050 - Md Blue	000	255	218	000	181
179 186	C5060 - Dk Blue	000	210	206	000	118
187 194	C5690 - Indigo	065	000	210	040	055
195 202	C5080 - VDK Blue	000	203	230	000	040
203 210	C5081 - VDK Blue 2	040	199	240	000	045
211 218	C4370 - Yel Green	027	255	028	016	104
219 226	C4070 - Green	049	255	055	120	090
227 234	C4550 - Turquoise	060	230	109	000	245
235 242	C4560 - Aqua	020	240	126	036	255
243 250	C4570 - Blue Green	000	255	079	030	053
251 255	--	000	000	000	000	000

Grafiek vooringestelde kleurtemperatuur	DMX- kanaalwaarde	Weergave op het display	Rode waarde	Groene waarde	Blauwe waarde	Gele waarde	Lime waarde
	000 ∘ 005	--	000	000	000	000	000
	006 ∘ 025	2800K	255	199	107	253	255
	026 ∘ 050	3200K	253	247	129	255	255
	051 ∘ 075	3500K	234	255	141	253	255
	076 ∘ 100	4000K	204	255	156	243	255
	101 ∘ 125	4500K	181	248	166	224	255
	126 ∘ 150	5000K	160	255	180	241	255
	151 ∘ 175	5600K	138	255	191	241	255
	176 ∘ 200	6000K	147	255	193	203	255
	201 ∘ 225	6500K	142	251	197	187	255
	226 ∘ 255	--	000	000	000	000	000



Let op: De bovenstaande kleurtemperaturen zijn gesimuleerde weergaven van de geproduceerde kleuropbrengst, in vergelijking met een wolfram-lamp bij de opgegeven kleurtemperatuur. Chauvet geeft geen garantie over de nauwkeurigheid van de kleuropbrengst.

Menupap

Hoofd-niveau	Programmeerniveaus		Beschrijving	
DMX Address	<001–512>		Selecteert het DMX-startadres	
DMX Channel	3Ch		3-kanaals: dimmer, VCW, kleurtemperatuur	
	5Ch		5-kanaals: RGBAL-regeling	
	7Ch		7-kanaals: RGBAL-regeling, dimmer, stroboscoop	
	10Ch		10-kanaals: RGBAL-regeling, 16-bit dimmer, stroboscoop, VCW, kleurtemperatuur	
	12Ch		12-kanaals: RGBAL-regeling, dimmer, stroboscoop, VCW, kleurtemperatuur, automatische programma's, autosnelheid, dimmersnelheid	
	13Ch		13-kanaals: 16-bit RGBAL en dimmer, stroboscoop	
	15Ch		15-kanaals: 16-bit RGBAL en dimmer, stroboscoop, VCW, kleurtemperatuur	
Virtual Color Wheel	Virtual Color Wheel	C3050 - Md Yellow C3040 - Lt Yellow C3240 - Amb Yellow C2340 - VLt Amber C2040 - Lt Amber C2050 - Md Amber C2060 - Dk Amber C1050 - Lt Red	Dimmer <001–512>	Het virtuele kleurenwiel simuleert de opbrengst van elke gelkleur. Raadpleeg de sectie kleurenkaart voor specifieke waarden

Hoofd-niveau	Programmeerniveaus			Beschrijving	
Virtual Color Wheel (vervolg)	Virtual Color Wheel (vervolg)	C1080 - Md Red	Dimmer	<001-512>	Het virtuele kleurenwiel simuleert de opbrengst van elke gelkleur. Raadpleeg de sectie kleurenkaart voor specifieke waarden
		C1020 - NC Pink			
		C1030 - Md Pink			
		C1630 - Dk Pink			
		C1250 - Md Red Amber			
		C1060 - Dk Red Amber			
		C1650 - Magenta			
		C6170 - Dk Magenta			
		C6020 - Lt Lavender			
		C5030 - Lt Blue			
		C5020 - VLt Blue			
		C5430 - Lt Blue 2			
		C5070 - Blue			
		C5050 - Md Blue			
		C5060 - Dk Blue			
		C5690 - Indigo			
		C5080 - VDk Blue			
		C5081 - VDk Blue 2			
		C4370 - Yel Green			
		C4070 - Green			
C4550 - Turquoise					
C4560 - Aqua					
C4570 - Blue Green					
	Color Temperature	2800K 3200K 3500K 4000K 4500K 5000K 5600K 6000K 6500K	Dimmer	<001-512>	Vooringestelde witte kleurtemperaturen. Emuleert een wolfram-lamp bij de opgegeven kleurtemperatuur. Raadpleeg de sectie Grafiek vooringestelde kleurtemperatuur voor specifieke waarden
	Manual Color Mixer	Red Green Blue Amber Lime	<0-255>	Combineert rood, groen, blauw, lime en geel om een aangepaste kleur te genereren (0-100%)	

Hoofdniveau	Programmeerniveaus		Beschrijving	
Auto Show	Auto 1	<1-100>	Selecteert automatische programma's en automatische programmasnelheid	
	Auto 2			
	Auto 3			
	Auto 4			
	Auto 5			
Master/Slave	Master		Ontvangt DMX-signalen van de DMX-controller	
	Slave		Ontvangt DMX-signalen van de master	
Dimmer Mode	Off		Selecteert dimprofielen van snel (Dimmer1) tot langzaam Dimmer3) of Off (uit)	
	Dimmer 1-3			
White Balance	OFF		Gebruikt standaard witte instelling	
	Manual	Red	<125-255>	Stelt de maximum waarde van de rode LED in
		Green		Stelt de maximum waarde van de groene LED in
		Blue		Stelt de maximum waarde van de blauwe LED in
LED Frequency	600Hz		Selecteert de PWM-uitgangsfrequentie	
	1200Hz			
	2000Hz			
	4000Hz			
	6000Hz			
	25KHz			
Fan Mode	Auto		Balanceert LED-koeling met ventilators en niveau van het uitgangsvermogen	
	On		Zorgt voor LED-koeling met ventilators die het volledige uitgangsvermogen mogelijk maken	
Back Light	On		De backlight van de display is altijd aan	
	10S		Schakelt de backlight van de display uit na 10s van inactiviteit	
	20S		Schakelt de backlight van de display uit na 20s van inactiviteit	
	30S		Schakelt de backlight van de display uit na 30s van inactiviteit	
Information	Fixture Hours	<_ _ _ _ H>	Toont het totale aantal producturen	
	Version	<V _ _ >	Toont de geïnstalleerde softwareversie	
	UID:	_____	Geeft de huidige UID #	

DMX-waarden

15Ch	Kanaal	Functie	Waarde	Percentage/instelling
	1	Dimmer	000 ó 255	0–100%
	2	Fijne dimmer	000 ó 255	0–100%
	3	Rood	000 ó 255	0–100%
	4	Fijn rood	000 ó 255	0–100%
	5	Groen	000 ó 255	0–100%
	6	Fijn groen	000 ó 255	0–100%
	7	Blauw	000 ó 255	0–100%
	8	Fijn blauw	000 ó 255	0–100%
	9	Geel	000 ó 255	0–100%
	10	Fijn geel	000 ó 255	0–100%
	11	Lime	000 ó 255	0–100%
	12	Fijn Lime	000 ó 255	0–100%
	13	Stroboscoop	000 ó 010 011 ó 255	Geen functie Langzaam tot snel
	14	Virtueel kleurenwiel	000 ó 255	Raadpleeg de sectie kleurenkaart voor specifieke waarden
	15	Kleurtemperatuur	000 ó 255	Raadpleeg de sectie Grafiek vooringestelde kleurtemperatuur voor specifieke waarden

13Ch	Kanaal	Functie	Waarde	Percentage/instelling
	1	Dimmer	000 ó 255	0–100%
	2	Fijne dimmer	000 ó 255	0–100%
	3	Rood	000 ó 255	0–100%
	4	Fijn rood	000 ó 255	0–100%
	5	Groen	000 ó 255	0–100%
	6	Fijn groen	000 ó 255	0–100%
	7	Blauw	000 ó 255	0–100%
	8	Fijn blauw	000 ó 255	0–100%
	9	Geel	000 ó 255	0–100%
	10	Fijn geel	000 ó 255	0–100%
	11	Lime	000 ó 255	0–100%
	12	Fijn Lime	000 ó 255	0–100%
	13	Stroboscoop	000 ó 010 011 ó 255	Geen functie Langzaam tot snel

12Ch	Kanaal	Functie	Waarde	Percentage/instelling
	1	Dimmer	000ó 255	0–100%
	2	Rood	000ó 255	0–100%
	3	Groen	000ó 255	0–100%
	4	Blauw	000ó 255	0–100%
	5	Geel	000ó 255	0–100%
	6	Lime	000ó 255	0–100%
	7	Stroboscoop	000ó 010 011ó 255	Geen functie Langzaam tot snel
	8	Virtueel kleurenwiel	000ó 255	Raadpleeg de sectie kleurenkaart voor specifieke waarden
	9	Kleurtemperatuur	000ó 255	Raadpleeg de sectie Grafiek vooringestelde kleurtemperatuur voor specifieke waarden
	10	Automatische programma's	000ó 010 011ó 060 061ó 110 111ó 160 161ó 210 211ó 255	Geen functie Auto 1 Auto 2 Auto 3 Auto 4 Auto 5
	11	Automatische snelheid	000ó 255	Langzaam tot snel
	12	Dimmersnelheid	000ó 051 052ó 101 102ó 152 153ó 203 204ó 255	Voorinstelling van de dimmersnelheid vanaf het displaymenu Lineaire dimmer Niet-lineaire dimcurve 1 (snelst) Niet-lineaire dimcurve 2 Niet-lineaire dimcurve 3 (langzaamst)

10Ch	Kanaal	Functie	Waarde	Percentage/instelling
	1	Dimmer	000ó 255	0–100%
	2	Fijne dimmer	000ó 255	0–100%
	3	Rood	000ó 255	0–100%
	4	Groen	000ó 255	0–100%
	5	Blauw	000ó 255	0–100%
	6	Geel	000ó 255	0–100%
	7	Lime	000ó 255	0–100%
	8	Stroboscoop	000ó 010 011ó 255	Geen functie Langzaam tot snel
	9	Virtueel kleurenwiel	000ó 255	Raadpleeg de sectie kleurenkaart voor specifieke waarden
	10	Kleurtemperatuur	000ó 255	Raadpleeg de sectie Grafiek vooringestelde kleurtemperatuur voor specifieke waarden

7Ch	Kanaal	Functie	Waarde	Percentage/instelling
	1	Dimmer	000ó 255	0-100%
	2	Rood	000ó 255	0-100%
	3	Groen	000ó 255	0-100%
	4	Blauw	000ó 255	0-100%
	5	Geel	000ó 255	0-100%
	6	Lime	000ó 255	0-100%
	7	Stroboscoop	000ó 010 011ó 255	Geen functie Langzaam tot snel

5Ch	Kanaal	Functie	Waarde	Percentage/instelling
	1	Rood	000ó 255	0-100%
	2	Groen	000ó 255	0-100%
	3	Blauw	000ó 255	0-100%
	4	Geel	000ó 255	0-100%
	5	Lime	000ó 255	0-100%

3Ch	Kanaal	Functie	Waarde	Percentage/instelling
	1	Dimmer	000ó 255	0-100%
	2	Virtueel kleurenwiel	000ó 255	Raadpleeg de sectie kleurenkaart voor specifieke waarden
	3	Kleurtemperatuur	000ó 255	Raadpleeg de sectie Grafiek vooringestelde kleurtemperatuur voor specifieke waarden

Contact Us

USA WORLD HEADQUARTERS

General Information - Chauvet
 Address: 5200 NW 108th Avenue
 Sunrise, FL 33351
 Voice: (954) 577-4455
 Fax: (954) 929-5560
 Toll free: (800) 762-1084

Technical Support
 Voice: (844) 393-7575
 Fax: (954) 756-8015
 Email: chauvetcs@chauvetlighting.com

World Wide Web
www.chauvetlighting.com

EUROPE

General Information - Chauvet Europe BVBA
 Address: Stokstraat 18
 9770 Kruishoutem
 Belgium
 Voice: +32 9 388 93 97

Technical Support
 Email: Eutech@chauvetlighting.eu

World Wide Web
www.chauvetlighting.eu

General Information - Chauvet Europe Ltd.
 Address: Unit 1C
 Brookhill Road Industrial Estate
 Pinxton, Nottingham, UK
 NG16 6NT
 Voice: +44 (0)1773 511115
 Fax: +44 (0)1773 511110

Technical Support
 Email: uktech@chauvetlighting.com

World Wide Web
www.chauvetlighting.co.uk

MEXICO

General Information - Chauvet Mexico
 Address: Av. de las Partidas 34, 3-B
 (Entrance by Calle 2)
 Zona Industrial Lerma
 Lerma, Edo. de México, CP 52000
 Voice: +52 (728) 690-2010

Technical Support
 Email: servicio@chauvet.com.mx

World Wide Web
www.chauvet.com.mx

Visit the applicable website above to verify our contact information and instructions to request support. Outside the U.S., United Kingdom, Ireland, Mexico or Benelux, contact the dealer of record.



UL 1573
 CSA C22.2 No. 166
 E113093

