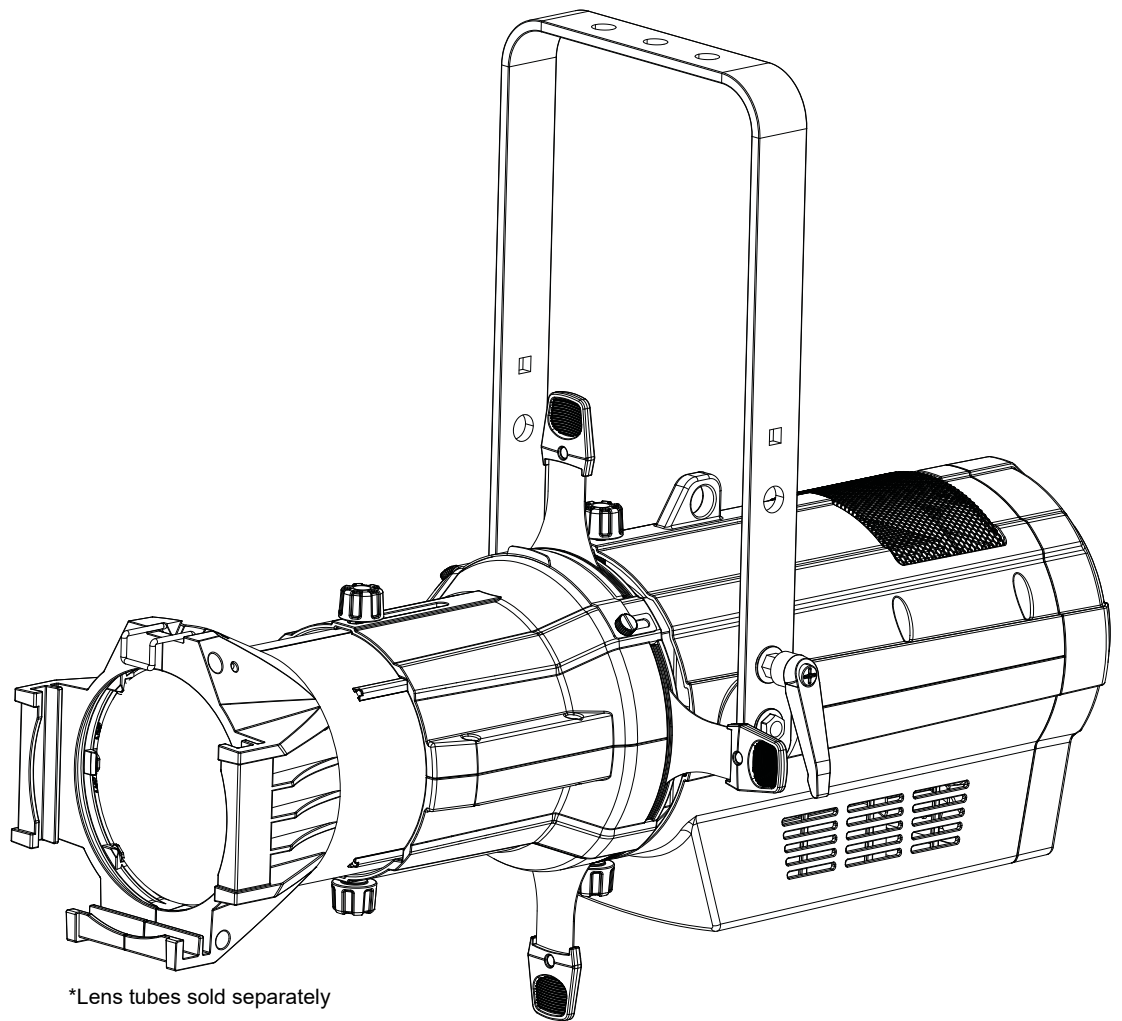


# OVATION

## E-910FC

### Quick Reference Guide

English	EN
Español	ES
Français	FR
Deutschland	DE
Nederlands	NL



\*Lens tubes sold separately

  
**CHAUVET**  
PROFESSIONAL

## About This Guide

The Ovation E-910FC Quick Reference Guide (QRG) has basic product information such as connection, mounting, menu options, and DMX values. Download the User Manual from [www.chauvetprofessional.com](http://www.chauvetprofessional.com) for more details.

### Disclaimer

The information and specifications contained in this QRG are subject to change without notice.

### LIMITED WARRANTY

**FOR WARRANTY REGISTRATION AND COMPLETE TERMS AND CONDITIONS PLEASE VISIT OUR WEBSITE.**

**For Customers in the United States and Mexico:** [www.chauvetlighting.com/warranty-registration](http://www.chauvetlighting.com/warranty-registration)

**For Customers in the United Kingdom, Republic of Ireland, Belgium, the Netherlands, Luxembourg, France, and Germany:** [www.chauvetlighting.eu/warranty-registration/](http://www.chauvetlighting.eu/warranty-registration/)

Chauvet warrants that this product shall be free from defects in material and workmanship under normal use, for the period specified in and subject to the exclusions and limitations set forth in, the full limited warranty on our website. This warranty extends only to the original purchaser of the product and is not transferable. To exercise rights under this warranty, you must provide proof of purchase in the form of an original sales receipt from an authorized dealer that shows the product name and date of purchase. THERE ARE NO OTHER EXPRESS OR IMPLIED WARRANTIES. This warranty gives you specific legal rights. You may also have other rights that vary from state to state and country to country. This warranty is valid only in the United States, United Kingdom, Republic of Ireland, Belgium, the Netherlands, Luxembourg, France, Germany and Mexico. For warranty terms in other countries, please consult your local distributor.

### Safety Notes

- DO NOT open this product. It contains no user-serviceable parts.
- To eliminate unnecessary wear and improve its lifespan, during periods of non-use completely disconnect the product from power via breaker or by unplugging it.
- DO NOT look at the light source when the product is on.
- CAUTION: This product's housing may be hot when lights are operating. Mount this product in a location with adequate ventilation, at least 20 in (50 cm) from adjacent surfaces.
- DO NOT leave any flammable material within 50 cm of this product while operating or connected to power.
- CAUTION: When transferring product from extreme temperature environments, (e.g., cold truck to warm humid ballroom) condensation may form on the internal electronics of the product. To avoid causing a failure, allow product to fully acclimate to the surrounding environment before connecting it to power.
- USE a safety cable when mounting this product overhead.
- DO NOT operate this product outdoors or in any location where dust, excessive heat, water or humidity may affect it (IP20).
- DO NOT operate this product if the housing, lenses, or cables appear damaged.
- DO NOT connect this product to a dimmer or rheostat.
- ONLY connect this product to a grounded and protected circuit.
- ONLY use the hanging/mounting bracket to carry this product.
- In the event of a serious operating problem, stop using immediately.
- The maximum ambient temperature is 113 °F (45 °C). Do not operate this product at higher temperatures.

### Contact

Outside the U.S., United Kingdom, Ireland, Benelux, France, Germany, or Mexico, contact your distributor to request support or return a product. Visit [Contact Us](#) at the end of this QRG for contact information.

### What is Included

- Ovation E-910FC
- Neutrik powerCON power cord
- Soft Focus filter
- Quick Reference Guide

## AC Power

This product has an auto-ranging power supply that can work with an input voltage range of 100–240 VAC, 50/60 Hz.

## Power Linking

You can link up to 6 Ovation E-910FC products at 120 VAC, 11 products at 208 V, or 12 at 230 VAC. Never exceed this number. Power linking cords can be purchased separately.

## AC Plug

Connection	Wire (U.S.)	Wire (Europe)	Screw Color
AC Live	Black	Brown	Yellow/Brass
AC Neutral	White	Blue	Silver
AC Ground	Green/Yellow	Green/Yellow	Green



**To eliminate unnecessary wear and improve its lifespan, during periods of non-use completely disconnect the product from power via breaker or by unplugging it**

## Replacing the Fuse

1. Disconnect this product from power.
2. Using a flat head screwdriver, unscrew the fuse holder cap from the housing.
3. Remove blown fuse and replace with a good fuse of the same type and rating.
4. Screw the fuse folder cap back in place and reconnect power.

## DMX Linking

The Ovation E-910FC will work with a DMX controller using either a 3- or 5-pin DMX serial connection. A DMX Primer is available from [www.chauvetprofessional.com](http://www.chauvetprofessional.com).

## DMX Connection

The Ovation E-910FC uses a 3- or 5-pin DMX data connection for its DMX personalities: **3 Ch, 5 Ch, 7 Ch, 10 Ch, 12 Ch, 13 Ch, 15 Ch**, and **HSV**. See the User Manual for information about connecting and configuring the product for DMX operation.

## Master/Slave Connection

The Ovation E-910FC uses the DMX data connection for its master/slave mode. See the User Manual for information about how to connect and configure the product for master/slave operation.

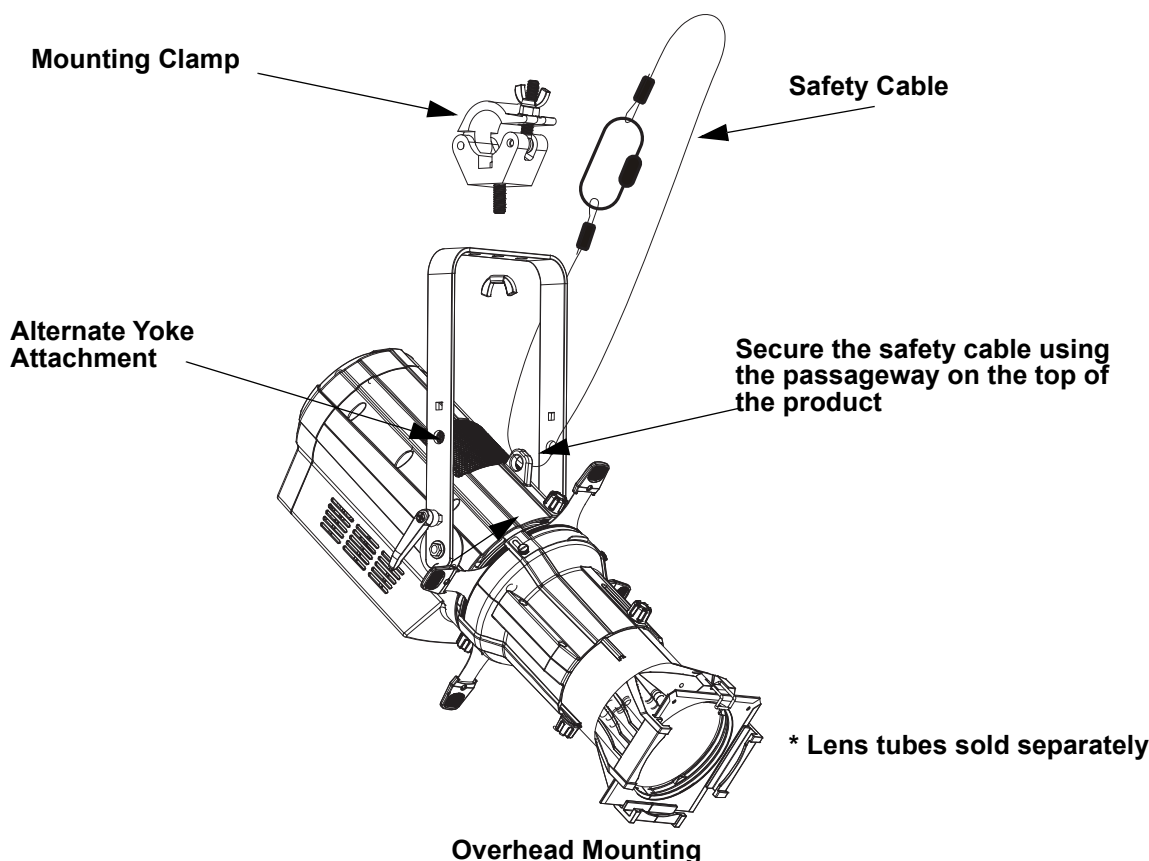
## RDM (Remote Device Management)

Remote Device Management, or RDM, is a standard for allowing DMX-enabled devices to communicate bi-directionally along existing DMX cabling. Check the DMX controller's User Manual or with the manufacturer as not all DMX controllers have this capability. The Ovation E-910FC supports RDM protocol that allows feedback to monitor temperature and changes to DMX address and DMX channel menu map options. Download the User Manual from [www.chauvetprofessional.com](http://www.chauvetprofessional.com) for more details.

## Mounting

Before mounting this product, read the [Safety Notes](#). Use at least one mounting point per product. Make sure the mounting clamps are capable of supporting the weight of the product. For our Chauvet line of mounting clamps, go to <http://trusst.com/productcategory/truss-clamps/>

### Product Mounting Diagram



## Control Panel Description

Button	Function
<MENU>	Exits from the current menu or function
<ENTER>	Enables the currently displayed menu or sets the currently selected value into the selected function
<UP>	Navigates upwards through the menu list or increases the numeric value when in a function
<DOWN>	Navigates downwards through the menu list or decreases the numeric value when in a function

## Lens Tubes

The following lens tubes are available for purchase:

- 19°, 26°, 36°, and 50° w/Gel frame (6.25 in/159 mm accessories)
- 14°, 15°–30° and 25°–50° Zoom Gel frame (7.5 in/191 mm accessories)

### Virtual Color Wheel (VCW)

The Ovation E-910FC includes a feature called the Virtual Color Wheel (VCW). This feature is available as a stand-alone control mode for manual use and also as a control channel in select DMX personalities. Over 30 pre-mixed colors, custom blended by our engineers, are available to call up for easier programming.

The DMX values used to mix these colors are provided below. You may adjust the overall intensity of the Ovation fixture in order to more closely replicate colors you are familiar with. A chart is available on our website

[www.chauvetprofessional.com](http://www.chauvetprofessional.com) to compare our pre-mixed colors with popular gel colors. This chart is for comparison purposes only and is not a representation that our pre-mixed colors match any of the gel colors listed.

### Virtual Color Wheel Chart

DMX Channel Value	Display Readout	Red Value	Green Value	Blue Value	Amber Value	Lime Value
000 ⇔ 005	--	000	000	000	000	000
006 ⇔ 013	<b>C3050 - Md Yellow</b>	233	163	020	123	255
014 ⇔ 021	<b>C3040 - Lt Yellow</b>	224	158	047	255	231
022 ⇔ 028	<b>C3240 - Amb Yellow</b>	180	060	000	245	255
029 ⇔ 035	<b>C2340 - VLt Amber</b>	245	107	081	255	213
036 ⇔ 043	<b>C2040 - Lt Amber</b>	230	130	062	255	155
044 ⇔ 051	<b>C2050 - Md Amber</b>	255	000	025	255	194
052 ⇔ 059	<b>C2060 - Dk Amber</b>	255	000	024	255	150
060 ⇔ 067	<b>C1050 - Lt Red</b>	255	037	027	030	038
068 ⇔ 075	<b>C1080 - Md Red</b>	255	004	017	000	000
076 ⇔ 083	<b>C1020 - NC Pink</b>	238	135	129	255	255
084 ⇔ 091	<b>C1030 - Md Pink</b>	255	131	120	255	195
092 ⇔ 099	<b>C1630 - Dk Pink</b>	255	165	123	255	210
100 ⇔ 107	<b>C1250 - Md Red Amber</b>	255	000	041	195	055
108 ⇔ 115	<b>C1060 - Dk Red Amber</b>	255	000	045	120	030
116 ⇔ 121	<b>C1650 - Magenta</b>	255	050	115	255	115
122 ⇔ 130	<b>C6170 - Dk Magenta</b>	255	035	117	000	000
131 ⇔ 138	<b>C6020 - Lt Lavender</b>	127	122	142	251	255
139 ⇔ 146	<b>C5030 - Lt Blue</b>	000	255	197	100	255
147 ⇔ 154	<b>C5020 - VLt Blue</b>	158	255	189	000	255
155 ⇔ 162	<b>C5430 - Lt Blue 2</b>	000	255	180	000	243
163 ⇔ 170	<b>C5070 - Blue</b>	043	255	210	043	036
171 ⇔ 178	<b>C5050 - Md Blue</b>	000	255	218	000	181
179 ⇔ 186	<b>C5060 - Dk Blue</b>	000	210	206	000	118
187 ⇔ 194	<b>C5690 - Indigo</b>	065	000	210	040	055
195 ⇔ 202	<b>C5080 - VDk Blue</b>	000	203	230	000	040
203 ⇔ 210	<b>C5081 - VDk Blue2</b>	040	199	240	000	045
211 ⇔ 218	<b>C4370 - Yel Green</b>	027	255	028	016	104
219 ⇔ 226	<b>C4070 - Green</b>	049	255	055	120	090
227 ⇔ 234	<b>C4550 - Turquoise</b>	060	230	109	000	245
235 ⇔ 242	<b>C4560 - Aqua</b>	020	240	126	036	255
243 ⇔ 250	<b>C4570 - Blue Green</b>	000	255	079	030	053
251 ⇔ 255	--	000	000	000	000	000



Note: The colors above are simulated renditions of the color output produced as compared to other similar incandescent products. Chauvet makes no guarantee of the color output accuracy.

### Color Temperature Chart

DMX Channel Value	Display Readout	Red Value	Green Value	Blue Value	Amber Value	Lime Value
000 ⇔ 005	--	000	000	000	000	000
006 ⇔ 025	<b>2800K</b>	255	199	107	253	255
026 ⇔ 050	<b>3200K</b>	253	247	129	255	255
051 ⇔ 075	<b>3500K</b>	234	255	141	253	255
076 ⇔ 100	<b>4000K</b>	204	255	156	243	255
101 ⇔ 125	<b>4500K</b>	181	248	166	224	255
126 ⇔ 150	<b>5000K</b>	160	255	180	241	255
151 ⇔ 175	<b>5600K</b>	138	255	191	241	255
176 ⇔ 200	<b>6000K</b>	147	255	193	203	255
201 ⇔ 225	<b>6500K</b>	142	251	197	187	255
226 ⇔ 255	--	000	000	000	000	000



Note: The color temperatures above are simulated renditions of the color output produced as compared to a tungsten lamp at the specified color temperature. Chauvet makes no guarantee of the color output accuracy.

Menu Map

Main Level	Programming Levels		Description
<b>DMX Address</b>	<b>001–512</b>		Selects DMX address (highest channel restricted to personality chosen)
<b>DMX Channel</b>	<b>3 Ch</b>		3-channel: dimmer, VCW, color temperature
	<b>5 Ch</b>		5-channel: RGBAL control
	<b>7 Ch</b>		7-channel: dimmer, RGBAL, strobe
	<b>10 Ch</b>		10-channel: 16-bit dimmer, RGBAL, strobe, VCW, color temperature
	<b>12 Ch</b>		12-channel: dimmer, RGBAL, strobe, VCW, color temperature, auto program, auto speed, dimmer speed mode
	<b>13 Ch</b>		13-channel: 16-bit dimmer, 16-bit RGBAL, strobe
	<b>15 Ch</b>		15-channel: 16-bit dimmer, 16-bit RGBAL, strobe, VCW, color temperature
	<b>HSV</b>		3-channel: hue, saturation, value
<b>Virtual Color Wheel</b>	<b>Virtual Color Wheel</b>	<b>C3050-Md Yellow</b>	Virtual color wheel simulates the output of each gel color. Refer to the <a href="#">Virtual Color Wheel Chart</a> section for specific values.
		<b>C3040-Lt Yellow</b>	
		<b>C3240-Amb Yellow</b>	
		<b>C2340-VLt Amber</b>	
		<b>C2040-Lt Amber</b>	
		<b>C2050-Md Amber</b>	
		<b>C2060-Dk Amber</b>	
		<b>C1050-Lt Red</b>	
		<b>C1080-Md Red</b>	
		<b>C1020-NC Pink</b>	
		<b>C1030-Md Pink</b>	
		<b>C1630-Dk Pink</b>	
		<b>C1250-Md Red Amber</b>	
		<b>C1060-Dk Red Amber</b>	
		<b>C1650-Magenta</b>	
		<b>C6170-Dk Magenta</b>	
		<b>C6020-Lt Lavender</b>	
		<b>C5030-Lt Blue</b>	
		<b>C5020-VLt Blue</b>	
		<b>C5430-Lt Blue2</b>	
		<b>C5070-Blue</b>	
		<b>C5050-Md Blue</b>	
		<b>C5060-Dk Blue</b>	
		<b>C5690- Indigo</b>	
		<b>C5080-VDk Blue</b>	
		<b>C5081-VDk Blue2</b>	
	<b>C4370-Yel Green</b>		
	<b>C4070-Green</b>		
<b>C4550-Turquoise</b>			
<b>C4560-Aqua</b>			
<b>C4570-Blue Green</b>			
<b>Color Temperature</b>	<b>2800K</b>	<b>Dimmer &lt;000–255&gt;</b>	Preset white color temperatures. Emulates a tungsten lamp at the specified color temperature. Refer to the <a href="#">Color Temperature Chart</a> section for specific values.
	<b>3200K</b>		
	<b>3500K</b>		
	<b>4000K</b>		

Main Level	Programming Levels		Description
Virtual Color Wheel	Color Temperature	4500K	Dimmer <000–255>
		5000K	
		5600K	
		6000K	
		6500K	
Manual Color Mixer	Red	<000–255>	Combine red, green, blue, amber, and lime to make a custom color (0–100%)
	Green		
	Blue		
	Amber		
	Lime		
Auto Show	Auto 1–5	<001–100>	Selects automatic programs and program speed
Master/ Slave	Master		DMX mode (Master)
	Slave		Slave mode
Dimmer Mode	Off		Linear dimmer
	Dimmer 1–3		Dimming curves <b>Dimmer 1</b> (fast) to <b>Dimmer 3</b> (slow)
White Balance	Off		Uses factory default white setting
	Manual	Red	<000–255>
		Green	
		Blue	
		Amber	
Lime			
LED Frequency	600Hz		Sets the PWM frequency
	1200Hz		
	2000Hz		
	4000Hz		
	6000Hz		
	25KHz		
Fan Mode	Auto		Sets the fan to auto mode
	On		Sets the fan to always on
	Off		Sets the fan to always off
	Silent		Sets the fan to silent
Back Light	On		Display backlight always on
	10S		Turns off display backlight after 10 seconds of inactivity
	20S		Turns off display backlight after 20 seconds of inactivity
	30S		Turns off display backlight after 30 seconds of inactivity
Information	Fixture Hours	<_ _ _ _ H>	Shows total hours the product has been powered on
	Version	<V _ _>	Shows current firmware version
	UID	<_ _ _ _ _ _ _ _ _>	Shows product UID

EN

**DMX Values**

**15 Ch**

Channel	Function	Value	Percent/Setting
1	Dimmer	000 ⇔ 255	0–100%
2	Dimmer Fine	000 ⇔ 255	0–100%
3	Red	000 ⇔ 255	0–100%
4	Red Fine	000 ⇔ 255	0–100%
5	Green	000 ⇔ 255	0–100%
6	Green Fine	000 ⇔ 255	0–100%
7	Blue	000 ⇔ 255	0–100%
8	Blue Fine	000 ⇔ 255	0–100%
9	Amber	000 ⇔ 255	0–100%
10	Amber Fine	000 ⇔ 255	0–100%
11	Lime	000 ⇔ 255	0–100%
12	Lime Fine	000 ⇔ 255	0–100%
13	Strobe	000 ⇔ 010 011 ⇔ 255	No function Strobe, slow to fast
14	Virtual Color Wheel	000 ⇔ 255	See <a href="#">Virtual Color Wheel Chart</a>
15	Color Temperature	000 ⇔ 255	See <a href="#">Color Temperature Chart</a>

**13 Ch**

Channel	Function	Value	Percent/Setting
1	Dimmer	000 ⇔ 255	0–100%
2	Dimmer Fine	000 ⇔ 255	0–100%
3	Red	000 ⇔ 255	0–100%
4	Red Fine	000 ⇔ 255	0–100%
5	Green	000 ⇔ 255	0–100%
6	Green Fine	000 ⇔ 255	0–100%
7	Blue	000 ⇔ 255	0–100%
8	Blue Fine	000 ⇔ 255	0–100%
9	Amber	000 ⇔ 255	0–100%
10	Amber Fine	000 ⇔ 255	0–100%
11	Lime	000 ⇔ 255	0–100%
12	Lime Fine	000 ⇔ 255	0–100%
13	Strobe	000 ⇔ 010 011 ⇔ 255	No function Strobe, slow to fast



**12 Ch**

Channel	Function	Value	Percent/Setting
1	Dimmer	000 ⇄ 255	0–100%
2	Red	000 ⇄ 255	0–100%
3	Green	000 ⇄ 255	0–100%
4	Blue	000 ⇄ 255	0–100%
5	Amber	000 ⇄ 255	0–100%
6	Lime	000 ⇄ 255	0–100%
7	Strobe	000 ⇄ 010 011 ⇄ 255	No function Strobe, slow to fast
8	Virtual Color Wheel	000 ⇄ 255	See <a href="#">Virtual Color Wheel Chart</a>
9	Color Temperature	000 ⇄ 255	See <a href="#">Color Temperature Chart</a>
10	Auto Program	000 ⇄ 010 011 ⇄ 060 061 ⇄ 110 111 ⇄ 160 161 ⇄ 210 211 ⇄ 255	No function Auto program 1 Auto program 2 Auto program 3 Auto program 4 Auto program 5
11	Auto Speed	000 ⇄ 255	0–100%
12	Dimmer Speed Mode	000 ⇄ 051 052 ⇄ 101 102 ⇄ 152 153 ⇄ 203 204 ⇄ 255	No function Dimmer speed mode off Dimmer speed mode 1 Dimmer speed mode 2 Dimmer speed mode 3

**10 Ch**

Channel	Function	Value	Percent/Setting
1	Dimmer	000 ⇄ 255	0–100%
2	Dimmer Fine	000 ⇄ 255	0–100%
3	Red	000 ⇄ 255	0–100%
4	Green	000 ⇄ 255	0–100%
5	Blue	000 ⇄ 255	0–100%
6	Amber	000 ⇄ 255	0–100%
7	Lime	000 ⇄ 255	0–100%
8	Strobe	000 ⇄ 010 011 ⇄ 255	No function Strobe, slow to fast
9	Virtual Color Wheel	000 ⇄ 255	See <a href="#">Virtual Color Wheel Chart</a>
10	Color Temperature	000 ⇄ 255	See <a href="#">Color Temperature Chart</a>

**7Ch**

Channel	Function	Value	Percent/Setting
1	Dimmer	000 ⇄ 255	0–100%
2	Red	000 ⇄ 255	0–100%
3	Green	000 ⇄ 255	0–100%
4	Blue	000 ⇄ 255	0–100%
5	Amber	000 ⇄ 255	0–100%
6	Lime	000 ⇄ 255	0–100%
7	Strobe	000 ⇄ 010 011 ⇄ 255	No function Strobe, slow to fast

EN

5Ch

Channel	Function	Value	Percent/Setting
1	Red	000 ⇔ 255	0–100%
2	Green	000 ⇔ 255	0–100%
3	Blue	000 ⇔ 255	0–100%
4	Amber	000 ⇔ 255	0–100%
5	Lime	000 ⇔ 255	0–100%

3Ch

Channel	Function	Value	Percent/Setting
1	Dimmer	000 ⇔ 255	0–100%
2	Virtual Color Wheel	000 ⇔ 255	See <a href="#">Virtual Color Wheel Chart</a>
3	Color Temperature	000 ⇔ 255	See <a href="#">Color Temperature Chart</a>

HSV

Channel	Function	Value	Percent/Setting
1	Hue	000 ⇔ 255	0–100%
2	Saturation	000 ⇔ 255	0–100%
3	Value	000 ⇔ 255	0–100%

## Acerca de Esta Guía

La Guía de Referencia Rápida (GRR) del Ovation E-910FC contiene información básica sobre el producto, como montaje, opciones de menú y valores DMX. Descargue el Manual de Usuario de [www.chauvetprofessional.com](http://www.chauvetprofessional.com) para información más detallada.

## Exención de Responsabilidad

La información y especificaciones contenidas en esta GRR están sujetas a cambio sin previo aviso.

## GARANTÍA LIMITADA

**PARA VER EL REGISTRO DE GARANTÍA Y LOS TÉRMINOS Y CONDICIONES COMPLETOS, VISITE NUESTRO SITIO WEB.**

Para clientes en los Estados Unidos y México: [www.chauvetlighting.com/warranty-registration](http://www.chauvetlighting.com/warranty-registration)

Para clientes en Reino Unido, República de Irlanda, Bélgica, Países Bajos, Luxemburgo, Francia y Alemania: [www.chauvetlighting.eu/warranty-registration/](http://www.chauvetlighting.eu/warranty-registration/)

Chauvet garantiza que este producto estará libre de defectos de material y mano de obra en condiciones de uso normales, durante el periodo especificado, sujeto siempre a las exclusiones y limitaciones establecidas en la garantía limitada completa de nuestro sitio web. Esta garantía se concede únicamente al comprador original del producto y no es transferible. Para ejercer los derechos que otorga esta garantía, usted debe proporcionar una prueba de compra en forma de un recibo de compra original, expedido por un distribuidor autorizado, donde figure el nombre del producto y la fecha de compra. **NO EXISTEN ÓTRAS GARANTÍAS EXPRESAS NI IMPLÍCITAS.** Esta garantía le otorga derechos legales específicos. Es posible que a usted le asistan otros derechos, que variarán dependiendo del estado o del país. Esta garantía solamente es válida en los Estados Unidos, Reino Unido, República de Irlanda, Bélgica, Países Bajos, Luxemburgo, Francia, Alemania y México. Para conocer los términos de garantía en otros países, consulte a su distribuidor local.

## Notas de Seguridad

- NO abra este producto. No contiene piezas reparables por el usuario.
- Para evitar un desgaste innecesario y alargar su vida útil, desconecte complemente el producto de la alimentación, mediante el interruptor o desenchufándolo, durante los periodos en los que no se use.
- NO mire a la fuente de luz cuando el producto esté encendido.
- CUIDADO: La carcasa de este producto está caliente cuando las luces están en funcionamiento.
- Monte este producto en una ubicación con ventilación adecuada, al menos a 20" (50 cm) de superficies adyacentes.
- NO deje ningún material inflamable a menos de 50 cm de este producto mientras esté funcionando o conectado a la alimentación.
- Cuidado: cuando transfiera el producto desde ambientes con temperatura extrema (p. ej., del remolque frío de un camión a una sala de baile con calor y humedad), puede formarse condensación en la electrónica interna del producto. Para evitar que se produzca una avería, deje que el producto se aclimate completamente al ambiente antes de conectar la alimentación.
- USE un cable de seguridad cuando monte este producto en lo alto.
- NO sumerja este producto (IP20). La operación normal en exteriores es correcta.
- NO ponga en funcionamiento este producto si sospecha que la carcasa, lentes o cables están dañados.
- NO conecte este producto a un atenuador o reostato.
- Conecte este producto SOLO a un circuito con toma de tierra y protegido.
- Use SOLAMENTE los soportes de colgar/montar para mover este producto.
- En caso de un problema grave de funcionamiento, deje de usarlo inmediatamente.
- La máxima temperatura ambiente es de 113 °F (45 °C). No haga funcionar este producto a temperaturas más altas.

## Contacto

Fuera de EE. UU., Reino Unido, Irlanda, Benelux, Francia, Alemania o México, póngase en contacto con su distribuidor para solicitar asistencia o devolver el producto. Visite [Contact Us](#) para información de contacto.

## Qué va Incluido

- Ovation E-910FC
- Seetronic Powerkon cable de alimentación
- Guía de Referencia Rápida

## Corriente Alterna

Este producto tiene una fuente de alimentación con detección automática que puede funcionar con un rango de tensión de entrada de 100 a 240 VCA, 50/60 Hz.

### Alimentación en Cadena

Puede enlazar hasta 6 productos Ovation E-910FC a 120 V, 11 a 208 V, o 12 a 230 V. Nunca sobrepase este número. Los cables de alimentación en cadena se pueden adquirir por separado.

### Enchufe CA

Conexión	Cable (EE.UU.)	Cable (Europa)	Color del tornillo
CA Cargado	Negro	Marrón	Amarillo/Latón
CA Neutro	Blanco	Azul	Plata
CA Tierra	Verde/Amarillo	Verde/Amarillo	Verde



**Para evitar un desgaste innecesario y alargar su vida útil, desconecte completamente el producto de la alimentación, mediante el interruptor o desenchufándolo, durante los periodos en los que no se use.**

## Sustitución del Fusible

1. Desconecte el producto de la toma de corriente.
2. Con un destornillador de estrella N°2 desatornille la tapa del portafusibles.
3. Quite el fusible fundido del portafusibles y sustitúyalo con otro del mismo tipo y categoría.
4. Vuelva a atornillar la tapa del portafusibles en su sitio y conecte de nuevo la alimentación.

## Enlace DMX

El Ovation E-910FC funcionará con un controlador DMX usando una conexión serie DMX normal. Hay un manual DMX disponible en [www.chauvetprofessional.com](http://www.chauvetprofessional.com).

### Conexión DMX

El Ovation E-910FC usa una conexión de datos DMX normal para sus personalidades: **3 Ch, 5 Ch, 7 Ch, 10 Ch, 12 Ch, 13 Ch, 15 Ch**, y **HSV**. Vea el Manual de Usuario para conectar y configurar para funcionamiento DMX.

### Conexión Maestro/Esclavo

El Ovation E-910FC usa la conexión de datos DMX para su modo Maestro/Esclavo. Vea el Manual de Usuario para conectar y configurar para funcionamiento Maestro/Esclavo.

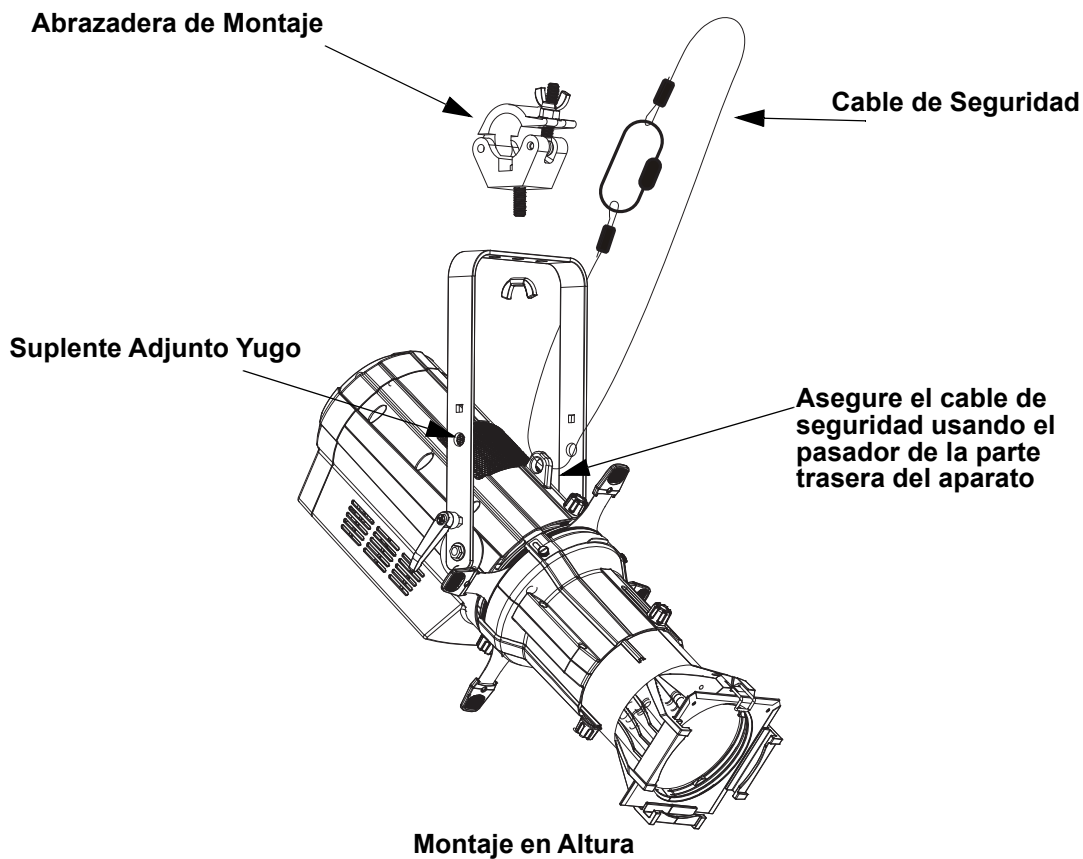
### RDM (gestión remota del dispositivo)

Remote Device Management (gestión remota del dispositivo) o RDM, es un estándar que permite a los dispositivos con capacidad DMX una comunicación bidireccional por un cableado DMX existente. El Ovation E-910FC admite protocolo RDM, que posibilita información para supervisar cambiar las opciones del mapa de menú. Descargue el manual de usuario de [www.chauvetprofessional.com](http://www.chauvetprofessional.com) para una información más detallada.

## Montaje

Antes de montar este producto, lea las [Notas de Seguridad](#). Asegúrese de que las abrazaderas de montaje son capaces de soportar el peso del producto. Para nuestra línea Chauvet de abrazaderas de montaje, visite <http://trusst.com/productcategory/truss-clamps/>

### Diagrama de Montaje del Producto



### Descripción del Panel de Control

Botón	Función
<MENU>	Sale del menú o función actual
<ENTER>	Habilita el menú actualmente en pantalla o configura el valor seleccionado actualmente dentro de la función seleccionada
<UP>	Navega hacia arriba por la lista de menú o aumenta el valor numérico cuando está en una función
<DOWN>	Navega hacia abajo por la lista de menú o disminuye el valor numérico cuando está en una función

### Tubos de Lentes

Los siguientes tubos de lentes están disponibles para su compra:

- 19°, 26°, 36° y 50° Marco de Gel (accesorios 6,25"/159 mm)
- 14°, 15°–30° and 25°–50° Zoom Gel frame (7.5 in/191 mm accessories)

### Código de acceso

Después de que se le solicite, introduzca el siguiente código de acceso pulsando:

<UP>, <DOWN>, <UP>, <DOWN>, <ENTER>

Este código no se puede cambiar y se debe usar cuando se le solicite.

### Rueda de Color Virtual (VCW)

El Ovation E-910FC incluye una función de rueda de color virtual llamada Virtual Color Wheel (VCW). Esta función está disponible como modo de control independiente para uso manual y también como canal de control en algunas personalidades DMX del dispositivo. Más de 30 colores premezclados, elaborados por nuestros ingenieros, están disponibles para facilitar la programación.

Los valores DMX utilizados para mezclar estos colores se indican más abajo. Puede ajustar la intensidad general del dispositivo Ovation para reproducir más fielmente los colores a los que esté habituado. Hay un gráfico a su disposición en nuestro sitio web [www.chauvetprofessional.com](http://www.chauvetprofessional.com) para comparar nuestros colores premezclados con los colores de gel más populares. Este gráfico sirve solamente para comparar y no implica que nuestros colores premezclados coincidan exactamente con los colores de gel listados.

**Tabla de Colores VCW**

Valor del Canal DMX	Lectura en Pantalla	Valor Rojo	Valor Verde	Valor Azul	Valor Ámbar	Valor Limón
000 ⇔ 005	--	000	000	000	000	000
006 ⇔ 013	<b>C3050 - Md Yellow</b>	233	163	020	123	255
014 ⇔ 021	<b>C3040 - Lt Yellow</b>	224	158	047	255	231
022 ⇔ 028	<b>C3240 - Amb Yellow</b>	180	060	000	245	255
029 ⇔ 035	<b>C2340 - VLt Amber</b>	245	107	081	255	213
036 ⇔ 043	<b>C2040 - Lt Amber</b>	230	130	062	255	155
044 ⇔ 051	<b>C2050 - Md Amber</b>	255	000	025	255	194
052 ⇔ 059	<b>C2060 - Dk Amber</b>	255	000	024	255	150
060 ⇔ 067	<b>C1050 - Lt Red</b>	255	037	027	030	038
068 ⇔ 075	<b>C1080 - Md Red</b>	255	004	017	000	000
076 ⇔ 083	<b>C1020 - NC Pink</b>	238	135	129	255	255
084 ⇔ 091	<b>C1030 - Md Pink</b>	255	131	120	255	195
092 ⇔ 099	<b>C1630 - Dk Pink</b>	255	165	123	255	210
100 ⇔ 107	<b>C1250 - Md Red Amber</b>	255	000	041	195	055
108 ⇔ 115	<b>C1060 - Dk Red Amber</b>	255	000	045	120	030
116 ⇔ 121	<b>C1650 - Magenta</b>	255	050	115	255	115
122 ⇔ 130	<b>C6170 - Dk Magenta</b>	255	035	117	000	000
131 ⇔ 138	<b>C6020 - Lt Lavender</b>	127	122	142	251	255
139 ⇔ 146	<b>C5030 - Lt Blue</b>	000	255	197	100	255
147 ⇔ 154	<b>C5020 - VLt Blue</b>	158	255	189	000	255
155 ⇔ 162	<b>C5430 - Lt Blue 2</b>	000	255	180	000	243
163 ⇔ 170	<b>C5070 - Blue</b>	043	255	210	043	036
171 ⇔ 178	<b>C5050 - Md Blue</b>	000	255	218	000	181
179 ⇔ 186	<b>C5060 - Dk Blue</b>	000	210	206	000	118
187 ⇔ 194	<b>C5690 - Indigo</b>	065	000	210	040	055
195 ⇔ 202	<b>C5080 - VDk Blue</b>	000	203	230	000	040
203 ⇔ 210	<b>C5081 - VDk Blue2</b>	040	199	240	000	045
211 ⇔ 218	<b>C4370 - Yel Green</b>	027	255	028	016	104
219 ⇔ 226	<b>C4070 - Green</b>	049	255	055	120	090
227 ⇔ 234	<b>C4550 - Turquoise</b>	060	230	109	000	245
235 ⇔ 242	<b>C4560 - Aqua</b>	020	240	126	036	255
243 ⇔ 250	<b>C4570 - Blue Green</b>	000	255	079	030	053
251 ⇔ 255	--	000	000	000	000	000



**Nota:** Los colores listados son interpretaciones simuladas de la emisión de color generada en comparación con otros productos incandescentes similares. Chauvet no garantiza la exactitud del color emitido.

**Gráfico de temperaturas de color**

Valor del Canal DMX	Lectura en Pantalla	Valor Rojo	Valor Verde	Valor Azul	Valor Ámbar	Valor Limón
000 ⇄ 005	--	000	000	000	000	000
006 ⇄ 025	<b>2800K</b>	255	199	107	253	255
026 ⇄ 050	<b>3200K</b>	253	247	129	255	255
051 ⇄ 075	<b>3500K</b>	234	255	141	253	255
076 ⇄ 100	<b>4000K</b>	204	255	156	243	255
101 ⇄ 125	<b>4500K</b>	181	248	166	224	255
126 ⇄ 150	<b>5000K</b>	160	255	180	241	255
151 ⇄ 175	<b>5600K</b>	138	255	191	241	255
176 ⇄ 200	<b>6000K</b>	147	255	193	203	255
201 ⇄ 225	<b>6500K</b>	142	251	197	187	255
226 ⇄ 255	--	000	000	000	000	000



**Nota:** Las temperaturas de color que aparecen arriba son interpretaciones simuladas de la emisión de color producida cuando se compara con una lámpara de tungsteno a la temperatura de color especificada. Chauvet no garantiza la exactitud del color emitido.

**Mapa de Menú**

Nivel Principal	Niveles de Programación		Descripción
<b>DMX Address</b>	<b>001–512</b>		Selecciona la dirección de inicio (canal más alto restringido a la elección de personalidad)
<b>DMX Channel</b>	<b>3 Ch</b>		3-canales: atenuador, VCW, temperatura de color
	<b>5 Ch</b>		5-canales: RGBAL
	<b>7 Ch</b>		7-canales: atenuador, RGBAL, estroboscopio
	<b>10 Ch</b>		10-canales: 16 bits atenuador, RGBAL, estroboscopio, VCW, temperatura de color
	<b>12 Ch</b>		12-canales: atenuador, RGBAL, estroboscopio, VCW, temperatura de color, programas automáticos, velocidad, modo atenuador
	<b>13 Ch</b>		13-canales: 16 bits atenuador, 16 bits RGBAL, estroboscopio
	<b>15 Ch</b>		15-canales: 16 bits atenuador, 16 bits RGBAL, estroboscopio, VCW, temperatura de color
	<b>HSV</b>		3-canales: matiz, saturación, valor
<b>Virtual Color Wheel</b>	<b>Virtual Color Wheel</b>	<b>Dimmer &lt;000–255&gt;</b>	Rueda de Color Virtual (VCW) simula la emisión de cada gel de color de Rosco. Consulte la sección <a href="#">Tabla de Colores VCW</a> para ver los valores específicos.
	C3050-Md Yellow		
	C3040-Lt Yellow		
	C3240-Amb Yellow		
	C2340-VLt Amber		
	C2040-Lt Amber		
	C2050-Md Amber		
	C2060-Dk Amber		
	C1050-Lt Red		
	C1080-Md Red		
	C1020-NC Pink		
	C1030-Md Pink		
	C1630-Dk Pink		
	C1250-Md Red Amber		
	C1060-Dk Red Amber		
	C1650-Magenta		
	C6170-Dk Magenta		
	C6020-Lt Lavender		
	C5030-Lt Blue		

Nivel Principal	Niveles de Programación		Descripción	
Virtual Color Wheel	Virtual Color Wheel	C5020-VLt Blue	Dimmer <000–255>	Rueda de Color Virtual (VCW) simula la emisión de cada gel de color de Rosco. Consulte la sección <a href="#">Tabla de Colores VCW</a> para ver los valores específicos.
		C5430-Lt Blue2		
		C5070-Blue		
		C5050-Md Blue		
		C5060-Dk Blue		
		C5690- Indigo		
		C5080-VDk Blue		
		C5081-VDk Blue2		
		C4370-Yel Green		
		C4070-Green		
	C4550-Turquoise			
	C4560-Aqua			
	C4570-Blue Green			
	Color Temperature	2800K	<000–255>	Temperaturas de color blanco Emula una lámpara de tungsteno a la temperatura de color especificada. Consulte el apartado <a href="#">Gráfico de temperaturas de color</a> para ver valores concretos.
		3200K		
3500K				
4000K				
4500K				
5000K				
5600K				
6000K				
6500K				
Manual Color Mixer	Red	<000–255>	Combina rojo, verde, azul, ámbar y lime para generar un color personalizado (0–100%)	
	Green			
	Blue			
	Amber			
	Lime			
Auto Show	Auto 1–5	<001–100>	Selecciona programas automáticos y velocidad	
Master/ Slave	Master		Modo DMX (maestro)	
	Slave		Modo esclavo	
Dimmer Mode	Off		Atenuador lineal	
	Dimmer 1–3		Curvas de atenuador rápido ( <b>Dimmer 1</b> ) a lento ( <b>Dimmer 3</b> )	
White Balance	Off		Utiliza la configuración de blanco predeterminada de fábrica	
	Manual	Red	<000–255>	Establece el valor máximo de LED rojo
		Green		Establece el valor máximo de LED verde
		Blue		Establece el valor máximo de LED azul
		Amber		Establece el valor máximo de LED ámbar
	Lime	Establece el valor máximo de LED lime		
LED Frequency	600Hz		Selecciona la frecuencia de emisión PWM	
	1200Hz			
	2000Hz			
	4000Hz			
	6000Hz			
Fan Mode	25KHz		Establece el ventilador a modo auto	
	Auto			
	On			Establece el ventilador a modo siempre encendido
	Off			Establece el ventilador siempre apagado
	Silent		Establece el ventilador en silencio	



Nivel Principal	Niveles de Programación		Descripción
Back Light	On		Retro-iluminación de la pantalla siempre activa
	10S		Retro-iluminación de la pantalla se apaga después de 10 segundos de inactividad
	20S		Retro-iluminación de la pantalla se apaga después de 20 segundos de inactividad
	30S		Retro-iluminación de la pantalla se apaga después de 30 segundos de inactividad
Information	Fixture Hours	<_ _ _ _ H>	Muestra el nombre total de las horas del producto
	Version	<V _ _ >	Muestra instalada la versión de firmware
	UID	<_ _ _ _ _ _ _ _ _ _ >	Muestra el UID # del producto

**DMX Values**
**15 Ch**

Canal	Función	Valor	Porcentaje/Configuración
1	Atenuador	000 ⇔ 255	0–100%
2	Atenuador fino	000 ⇔ 255	0–100%
3	Rojo	000 ⇔ 255	0–100%
4	Rojo fino	000 ⇔ 255	0–100%
5	Verde	000 ⇔ 255	0–100%
6	Verde fino	000 ⇔ 255	0–100%
7	Azul	000 ⇔ 255	0–100%
8	Azul fino	000 ⇔ 255	0–100%
9	Ámbar	000 ⇔ 255	0–100%
10	Ámbar fino	000 ⇔ 255	0–100%
11	Lima	000 ⇔ 255	0–100%
12	Lima fina	000 ⇔ 255	0–100%
13	Estroboscopio	000 ⇔ 010 011 ⇔ 255	Sin función Estroboscopio, lento a rápido
14	Rueda de color virtual	000 ⇔ 255	Vea <a href="#">Tabla de Colores VCW</a>
15	Temperatura de color	000 ⇔ 255	Vea <a href="#">Gráfico de temperaturas de color</a>

**13 Ch**

Canal	Función	Valor	Porcentaje/Configuración
1	Atenuador	000 ⇔ 255	0–100%
2	Atenuador fino	000 ⇔ 255	0–100%
3	Rojo	000 ⇔ 255	0–100%
4	Rojo fino	000 ⇔ 255	0–100%
5	Verde	000 ⇔ 255	0–100%
6	Verde fino	000 ⇔ 255	0–100%
7	Azul	000 ⇔ 255	0–100%
8	Azul fino	000 ⇔ 255	0–100%
9	Ámbar	000 ⇔ 255	0–100%
10	Ámbar fino	000 ⇔ 255	0–100%
11	Lima	000 ⇔ 255	0–100%
12	Lima fina	000 ⇔ 255	0–100%
13	Estroboscopio	000 ⇔ 010 011 ⇔ 255	Sin función Estroboscopio, lento a rápido

**12 Ch**

Canal	Función	Valor	Porcentaje/Configuración
1	Atenuador	000 ⇔ 255	0–100%
2	Rojo	000 ⇔ 255	0–100%
3	Verde	000 ⇔ 255	0–100%
4	Azul	000 ⇔ 255	0–100%

ES

Canal	Función	Valor	Porcentaje/Configuración
5	Ámbar	000 ⇔ 255	0–100%
6	Lima	000 ⇔ 255	0–100%
7	Estroboscopio	000 ⇔ 010 011 ⇔ 255	Sin función Estroboscopio, lento a rápido
8	Rueda de color virtual	000 ⇔ 255	Vea <a href="#">Tabla de Colores VCW</a>
9	Temperatura de color	000 ⇔ 255	Vea <a href="#">Gráfico de temperaturas de color</a>
10	Programas automáticos	000 ⇔ 010 011 ⇔ 060 061 ⇔ 110 111 ⇔ 160 161 ⇔ 210 211 ⇔ 255	Sin función Programa automático 1 Programa automático 2 Programa automático 3 Programa automático 4 Programa automático 5
11	Velocidad de programa	000 ⇔ 255	Velocidad de programa, lento a rápido
12	Velocidad Atenuador	000 ⇔ 051 052 ⇔ 101 102 ⇔ 152 153 ⇔ 203 204 ⇔ 255	Sin función Atenuador lineal Curva de atenuador 1 Curva de atenuador 2 Curva de atenuador 3

10 Ch

Canal	Función	Valor	Porcentaje/Configuración
1	Atenuador	000 ⇔ 255	0–100%
2	Atenuador fino	000 ⇔ 255	0–100%
3	Rojo	000 ⇔ 255	0–100%
4	Verde	000 ⇔ 255	0–100%
5	Azul	000 ⇔ 255	0–100%
6	Ámbar	000 ⇔ 255	0–100%
7	Lima	000 ⇔ 255	0–100%
8	Estroboscopio	000 ⇔ 010 011 ⇔ 255	Sin función Estroboscopio, lento a rápido
9	Rueda de color virtual	000 ⇔ 255	Vea <a href="#">Tabla de Colores VCW</a>
10	Temperatura de color	000 ⇔ 255	Vea <a href="#">Gráfico de temperaturas de color</a>

7Ch

Canal	Función	Valor	Porcentaje/Configuración
1	Atenuador	000 ⇔ 255	0–100%
2	Rojo	000 ⇔ 255	0–100%
3	Verde	000 ⇔ 255	0–100%
4	Azul	000 ⇔ 255	0–100%
5	Ámbar	000 ⇔ 255	0–100%
6	Lima	000 ⇔ 255	0–100%
7	Estroboscopio	000 ⇔ 010 011 ⇔ 255	Sin función Estroboscopio, lento a rápido

5 Ch

Canal	Función	Valor	Porcentaje/Configuración
1	Rojo	000 ⇔ 255	0–100%
2	Verde	000 ⇔ 255	0–100%
3	Azul	000 ⇔ 255	0–100%
4	Ámbar	000 ⇔ 255	0–100%
5	Lima	000 ⇔ 255	0–100%

4 Ch

Canal	Función	Valor	Porcentaje/Configuración
1	Atenuador	000 ⇔ 255	0–100%
2	Rueda de color virtual	000 ⇔ 255	Vea <a href="#">Tabla de Colores VCW</a>
3	Temperatura de color	000 ⇔ 255	Vea <a href="#">Gráfico de temperaturas de color</a>

HSV

Canal	Función	Valor	Porcentaje/Configuración
1	Matiz	000 ⇔ 255	0–100%
2	Saturación	000 ⇔ 255	0–100%
3	Valor	000 ⇔ 255	0–100%

## À Propos de ce Manuel

Le Manuel de Référence du Ovation E-910FC (MR) reprend des informations de base sur cet appareil notamment en matière de connexions, montage, options de menu et valeurs DMX. Télécharger le Manuel d'Utilisation sur [www.chauvetprofessional.com](http://www.chauvetprofessional.com) pour de plus amples informations.

### Clause de Non-Responsabilité

Les informations et caractéristiques contenues dans ce manuel sont sujettes à changement sans préavis.

### GARANTIE LIMITÉE

**VEUILLEZ VISITER NOTRE SITE INTERNET POUR CONSULTER LES MODALITÉS D'ENREGISTREMENT DE LA GARANTIE ET LES CONDITIONS GÉNÉRALES COMPLÈTES.**

Pour les clients aux États-Unis et au Mexique: [www.chauvetlighting.com/warranty-registration](http://www.chauvetlighting.com/warranty-registration)

Pour les clients du Royaume-Uni, de la République d'Irlande, de la Belgique, des Pays-Bas, du Luxembourg, de la France et de l'Allemagne: [www.chauvetlighting.eu/warranty-registration/](http://www.chauvetlighting.eu/warranty-registration/)

Chauvet garantit que cet appareil est exempt de défauts de matériaux et de fabrication dans des conditions normales d'utilisation, pendant la période spécifiée dans la garantie limitée complète consultable sur notre site Internet et sous réserve des exclusions et limitations qui y sont énoncées. Cette garantie ne s'applique qu'à l'acheteur initial du produit et n'est pas transférable. Pour exercer les droits prévus par cette garantie, vous devez fournir une preuve d'achat sous la forme d'un reçu de vente original d'un revendeur autorisé qui indique le nom du produit et la date d'achat. IL N'EXISTE AUCUNE AUTRE GARANTIE EXPRESSE OU IMPLICITE. Cette garantie vous confère des droits légaux spécifique. Vous pouvez également bénéficier d'autres droits qui varient selon les états et les pays. Cette garantie n'est valable qu'aux États-Unis, au Royaume-Uni, en République d'Irlande, en Belgique, aux Pays-Bas, au Luxembourg, en France, en Allemagne et au Mexique. Pour connaître les conditions de garantie dans d'autres pays, veuillez consulter votre revendeur local.

### Consignes de Sécurité

- N'ouvrez PAS cet appareil. Il ne contient aucun composant susceptible d'être réparé par l'utilisateur.
- Durant les périodes de non-utilisation, pour éviter toute usure inutile et pour prolonger la durée de vie, déconnectez entièrement l'appareil en le débranchant de l'alimentation électrique ou en coupant le disjoncteur.
- Ne regardez PAS la source lumineuse lorsque l'appareil fonctionne.
- ATTENTION: le boîtier de cet appareil est brûlant lors du fonctionnement.
- Montez toujours cet appareil dans un endroit bien ventilé, à au moins, 20 pouces (50 cm) des surfaces adjacentes.
- Ne laissez AUCUNE source inflammable dans un rayon de 50 cm de l'appareil lorsque celui-ci fonctionne.
- Attention : Lorsque l'appareil est transféré d'un environnement à température extrême à un autre (par exemple d'un camion froid vers une salle de bal chaude et humide), de la condensation peut se former sur les composants électriques internes. Pour éviter de causer des dommages, laissez l'appareil s'acclimater entièrement au milieu environnant avant de le mettre sous tension.
- Utilisez TOUJOURS un câble de sécurité lorsque vous montez cet appareil en hauteur.
- N'immergez PAS ce produit (IP20). Un usage normal en extérieur est autorisé.
- N'utilisez PAS cet appareil si le boîtier, les lentilles ou les câbles vous semblent endommagés.
- Ne connectez PAS cet appareil ni à un gradateur ni à un rhéostat.
- Connectez UNIQUEMENT cet appareil à un circuit protégé et relié à la terre.
- Transportez/Suspendez cet appareil UNIQUEMENT par le support de montage dont il est doté.
- En cas de sérieux problèmes de fonctionnement, arrêtez le système immédiatement.
- La température ambiante maximale supportée par cet appareil est de 113 °F (45 °C). Ne le faites pas fonctionner à des températures plus élevées.

### Contact

En dehors des États-Unis, du Royaume-Uni, de l'Irlande, du Benelux, de la France, de l'Allemagne, ou du Mexique, contactez votre fournisseur si vous avez besoin d'assistance ou de retourner votre appareil. Consultez le site [Contact Us](#) pour trouver nos coordonnées.

### Ce Qui est Inclus

- Ovation E-910FC
- Seetronic Powerkon cordon d'alimentation
- Manuel de Référence

### Alimentation CA

Cet appareil est doté d'une alimentation universelle prenant en charge toute tension d'entrée comprise entre 100 et 240 VCA, 50/60 Hz.

### Connexion Électrique

Vous pouvez connecter entre eux jusqu'à 6 Ovation E-910FC à 120 V, 11 unités à 208 V, ou 12 unités à 230 V. Ne dépassez jamais cette limite. Vous pouvez vous procurer séparément des cordons d'alimentation.

## Prise CA

Connexion	Câble (États-Unis)	Câble (Europe)	Couleur de la vis
Conducteur CA	Noir	Marron	Jaune/Cuivré
Neutre CA	Blanc	Bleu	Argenté
Terre CA	Vert/Jaune	Vert/Jaune	Vert



**Durant les périodes de non-utilisation, pour éviter tout usure inutile et pour prolonger la durée de vie, déconnectez-entièrement l'appareil en le débranchant de l'alimentation électrique ou en coupant le disjoncteur.**

## Remplacement du Fusible

1. Débranchez l'appareil de la prise.
2. À l'aide d'un tournevis Philips à tête n° 2, dévissez le couvercle du porte-fusible.
3. Remplacez le fusible obsolète par un fusible neuf équivalent
4. Revissez le couvercle du porte-fusible et rebranchez l'unité.

## Raccordement DMX

Le Ovation E-910FC fonctionnera avec un jeu d'orgues DMX au moyen de connexions DMX en série standard. Une introduction au DMX est à votre disposition sur [www.chauvetprofessional.com](http://www.chauvetprofessional.com).

### Connexion DMX

Le Ovation E-910FC utilise une connexion de données DMX standard pour ses personnalités DMX: **3 Ch, 5 Ch, 7Ch, 10 Ch, 12 Ch, 13 Ch, 15 Ch**, et **HSV**. Consultez le Manuel d'Utilisation pour connecter et configurer le système DMX.

### Connexion Maître/ Esclave

Le Ovation E-910FC utilise une connexion de données DMX pour son mode Maître/Esclave. Consultez le Manuel d'Utilisation pour connecter et configurer le mode de fonctionnement Maître/Esclave.

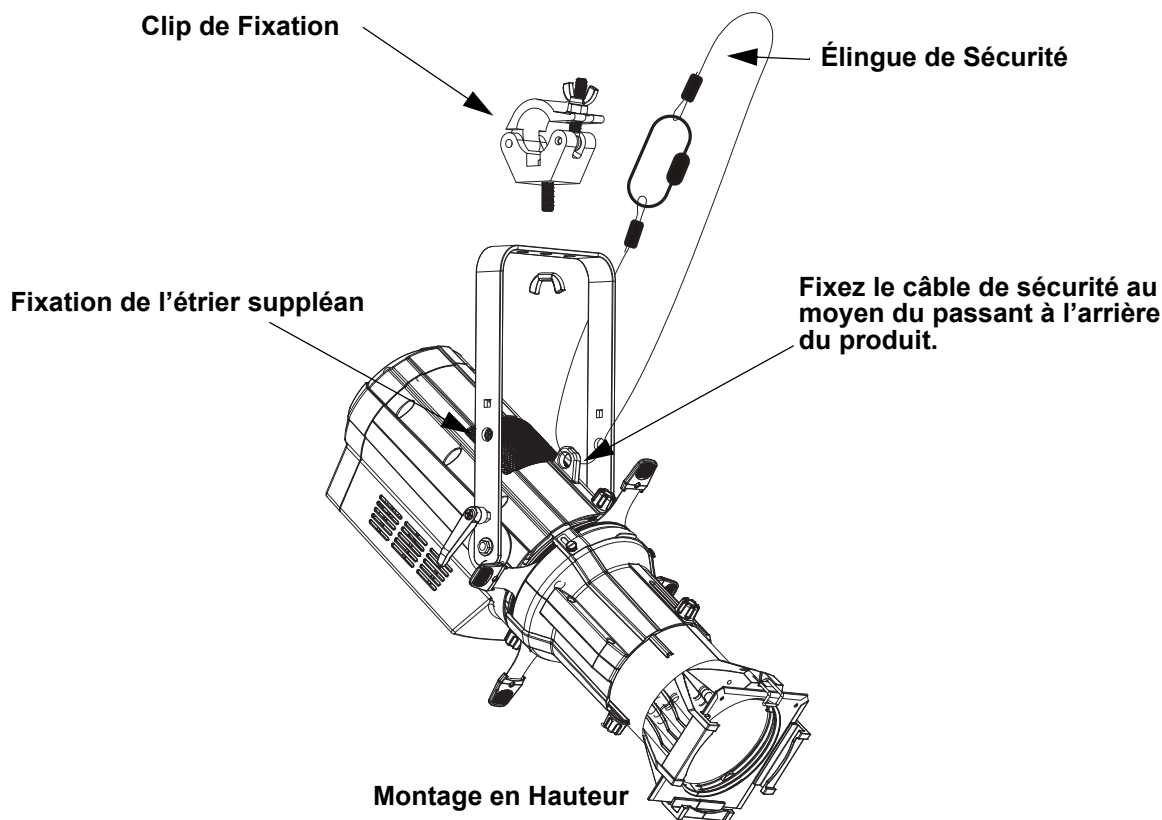
### RDM (Gestion des périphériques à distance)

Le protocole RDM (gestion des périphériques à distance) est un standard pour la communication bidirectionnelle des appareils dotés de fonctions DMX dans un câblage DMX existant. Le Ovation E-910FC supporte le protocole RDM permettant un retour d'information pour la surveillance et des changements des options de menu. Veuillez télécharger le manuel de l'utilisateur à partir du site internet [www.chauvetprofessional.com](http://www.chauvetprofessional.com) pour plus de détails.

## Installation

Avant de monter cet appareil, lisez et assimilez les [Consignes de Sécurité](#). Veillez à ce que les fixations sont capables de supporter le poids de l'unité. Découvrez notre gamme de fixations Chauvet sur <http://trusst.com/productcategory/truss-clamps/>

Schéma de Montage de l'Appareil



Description du Tableau de Commandes

Bouton	Fonction
<MENU>	Permet la sortie du menu ou de la fonction en cours
<ENTER>	Permet l'affichage du menu en cours ou permet de configurer la valeur en cours dans la fonction sélectionnée
<UP>	Permet de parcourir les listes ou les menus vers le haut, dans une fonction permet d'augmenter les valeurs numériques
<DOWN>	Permet de parcourir les listes ou les menus vers le bas, dans une fonction permet de diminuer les valeurs numériques

Code d'accès

Une fois affiché, saisissez le code d'accès suivant comme suit:

<UP>, <DOWN>, <UP>, <DOWN>, <ENTER>

Ce code ne peut pas être modifié et doit être saisi sur demande.

Tubes de Lentilles

Les tubes de lentilles suivantes sont disponibles à l'achat:

- 19°, 26°, 36°, et 50° Gélatine (accessoires 6,25 pouces/159 mm)
- 14°, 15°-30° et 25°-50° Zoom Gélatine (accessoires 7, 5 pouces/191 mm).

Roue de Couleurs Virtuelles (VCW)

Le Ovation E-910FC dispose d'une fonction appelée Roue de Couleur Virtuelle (VCW - Virtual Color Wheel). Cette fonction est disponible en mode de contrôle autonome pour une utilisation manuelle mais également en tant que canal de contrôle dans certaines personnalités DMX. Plus de 30 couleurs pré-mélangées, personnalisées par nos ingénieurs, sont disponibles pour faciliter la programmation.

Les valeurs DMX utilisées pour mélanger ces couleurs sont indiquées ci-dessous. Vous pouvez ajuster l'intensité globale du Ovation afin de reproduire plus fidèlement les couleurs que vous avez l'habitude d'utiliser. Un graphique est disponible sur notre site Web à l'adresse [www.chauvetprofessional.com](http://www.chauvetprofessional.com) pour comparer nos couleurs pré-mélangées avec des couleurs de gel populaires. Ce tableau est fourni uniquement à des fins de comparaison et ne certifie pas que nos couleurs pré-mélangées correspondent aux couleurs de gel énumérées.

**Gamme de Couleurs**

Valeurs des Canaux DMX	Affichage à l'Écran	Valeur Rouge	Valeur Vert	Valeur Bleu	Valeur Ambre	Valeur Lime
000 ⇔ 005	--	000	000	000	000	000
006 ⇔ 013	<b>C3050 - Md Yellow</b>	233	163	020	123	255
014 ⇔ 021	<b>C3040 - Lt Yellow</b>	224	158	047	255	231
022 ⇔ 028	<b>C3240 - Amb Yellow</b>	180	060	000	245	255
029 ⇔ 035	<b>C2340 - VLt Amber</b>	245	107	081	255	213
036 ⇔ 043	<b>C2040 - Lt Amber</b>	230	130	062	255	155
044 ⇔ 051	<b>C2050 - Md Amber</b>	255	000	025	255	194
052 ⇔ 059	<b>C2060 - Dk Amber</b>	255	000	024	255	150
060 ⇔ 067	<b>C1050 - Lt Red</b>	255	037	027	030	038
068 ⇔ 075	<b>C1080 - Md Red</b>	255	004	017	000	000
076 ⇔ 083	<b>C1020 - NC Pink</b>	238	135	129	255	255
084 ⇔ 091	<b>C1030 - Md Pink</b>	255	131	120	255	195
092 ⇔ 099	<b>C1630 - Dk Pink</b>	255	165	123	255	210
100 ⇔ 107	<b>C1250 - Md Red Amber</b>	255	000	041	195	055
108 ⇔ 115	<b>C1060 - Dk Red Amber</b>	255	000	045	120	030
116 ⇔ 121	<b>C1650 - Magenta</b>	255	050	115	255	115
122 ⇔ 130	<b>C6170 - Dk Magenta</b>	255	035	117	000	000
131 ⇔ 138	<b>C6020 - Lt Lavender</b>	127	122	142	251	255
139 ⇔ 146	<b>C5030 - Lt Blue</b>	000	255	197	100	255
147 ⇔ 154	<b>C5020 - VLt Blue</b>	158	255	189	000	255
155 ⇔ 162	<b>C5430 - Lt Blue 2</b>	000	255	180	000	243
163 ⇔ 170	<b>C5070 - Blue</b>	043	255	210	043	036
171 ⇔ 178	<b>C5050 - Md Blue</b>	000	255	218	000	181
179 ⇔ 186	<b>C5060 - Dk Blue</b>	000	210	206	000	118
187 ⇔ 194	<b>C5690 - Indigo</b>	065	000	210	040	055
195 ⇔ 202	<b>C5080 - VDk Blue</b>	000	203	230	000	040
203 ⇔ 210	<b>C5081 - VDk Blue2</b>	040	199	240	000	045
211 ⇔ 218	<b>C4370 - Yel Green</b>	027	255	028	016	104
219 ⇔ 226	<b>C4070 - Green</b>	049	255	055	120	090
227 ⇔ 234	<b>C4550 - Turquoise</b>	060	230	109	000	245
235 ⇔ 242	<b>C4560 - Aqua</b>	020	240	126	036	255
243 ⇔ 250	<b>C4570 - Blue Green</b>	000	255	079	030	053
251 ⇔ 255	--	000	000	000	000	000



Remarque: Les couleurs ci-dessus sont des rendus simulés de couleurs produits sur base des couleurs émises par les appareils à incandescence. Chauvet ne peut garantir l'exactitude du rendu d'une couleur.

**Gamme des températures de couleur**

Valeurs des Canaux DMX	Affichage à l'Écran	Valeur Rouge	Valeur Vert	Valeur Bleu	Valeur Ambre	Valeur Lime
000 ⇔ 005	--	000	000	000	000	000
006 ⇔ 025	<b>2800K</b>	255	199	107	253	255
026 ⇔ 050	<b>3200K</b>	253	247	129	255	255
051 ⇔ 075	<b>3500K</b>	234	255	141	253	255
076 ⇔ 100	<b>4000K</b>	204	255	156	243	255
101 ⇔ 125	<b>4500K</b>	181	248	166	224	255
126 ⇔ 150	<b>5000K</b>	160	255	180	241	255
151 ⇔ 175	<b>5600K</b>	138	255	191	241	255
176 ⇔ 200	<b>6000K</b>	147	255	193	203	255
201 ⇔ 225	<b>6500K</b>	142	251	197	187	255
226 ⇔ 255	--	000	000	000	000	000



Remarque: Les températures de couleur ci-dessus sont des rendus simulés de la sortie de couleur effectivement générée par comparaison avec une lampe tungstène à la température de couleur spécifiée. Chauvet ne donne aucune garantie sur la précision de la sortie de couleur.

Tableau de Menu

Niveau Principal	Niveaux de Programmation		Description
<b>DMX Address</b>	<b>001–512</b>		Permet de sélectionner l'adresse de démarrage (le canal le plus élevé est restreint à la personnalité choisie)
	<b>3 Ch</b>		3-canaux: gradateur, VCW, température de couleur
<b>DMX Channel</b>	<b>5 Ch</b>		5-canaux: RGBAL
	<b>7 Ch</b>		7-canaux: gradateur, RGBAL, stroboscope
	<b>10 Ch</b>		10-canaux: gradateur 16-bit, RGBAL, stroboscope, VCW, température de couleur
	<b>12 Ch</b>		12-canaux: gradateur, RGBAL, stroboscope, VCW, température de couleur, programmes, vitesse, mode gradation
	<b>13 Ch</b>		13-canaux: gradateur 16-bit, RGBAL 16-bit, stroboscope
	<b>15 Ch</b>		15-canaux: gradateur 16-bit, RGBAL 16-bit, stroboscope, VCW, température de couleur
	<b>HSV</b>		3-canaux: teinte, saturation, valeur
<b>Virtual Color Wheel</b>	<b>Virtual Color Wheel</b>	<b>C3050-Md Yellow</b>	<b>Dimmer &lt;000–255&gt;</b> Roue de Couleurs Virtuelles (VCW) simule le rendu des gélaines de couleur de Rosco. Consultez la section <a href="#">Gamme de Couleurs</a> pour en connaître les valeurs spécifiques.
		<b>C3040-Lt Yellow</b>	
		<b>C3240-Amb Yellow</b>	
		<b>C2340-VLt Amber</b>	
		<b>C2040-Lt Amber</b>	
		<b>C2050-Md Amber</b>	
		<b>C2060-Dk Amber</b>	
		<b>C1050-Lt Red</b>	
		<b>C1080-Md Red</b>	
		<b>C1020-NC Pink</b>	
		<b>C1030-Md Pink</b>	
		<b>C1630-Dk Pink</b>	
		<b>C1250-Md Red Amber</b>	
		<b>C1060-Dk Red Amber</b>	
		<b>C1650-Magenta</b>	
		<b>C6170-Dk Magenta</b>	
		<b>C6020-Lt Lavender</b>	
<b>C5030-Lt Blue</b>			
<b>C5020-VLt Blue</b>			



Niveau Principal	Niveaux de Programmation			Description
Virtual Color Wheel	Virtual Color Wheel	C5430-Lt Blue2	Dimmer <000–255>	Roue de Couleurs Virtuelles (VCW) simule le rendu des gélatines de couleur de Rosco. Consultez la section <a href="#">Gamme de Couleurs</a> pour en connaître les valeurs spécifiques.
		C5070-Blue		
		C5050-Md Blue		
		C5060-Dk Blue		
		C5690- Indigo		
		C5080-VDk Blue		
		C5081-VDk Blue2		
		C4370-Yel Green		
		C4070-Green		
		C4550-Turquoise		
		C4560-Aqua		
	C4570-Blue Green			
	Color Temperature	2800K		
		3200K		
		3500K		
4000K				
4500K				
5000K				
5600K				
6000K				
6500K				
Manual Color Mixer	Red	Combine les couleurs rouge, vert, bleu, ambre et lime pour un résultat personnalisé (0–100%)		
	Green			
	Blue			
	Amber			
	Lime			
Auto Show	Auto 1–5	<001–100>	Sélectionne les programmes automatiques et vitesse	
Master/ Slave	Master		Commande du zoom	
	Slave		Mode DMX (Maître)	
Dimmer Mode	Off		Mode esclave	
	Dimmer 1–3		Gradateur linéaire	
White Balance	Off		Courbes de gradation rapide ( <b>Dimmer 1</b> ) à lent ( <b>Dimmer 3</b> )	
	Manual	Red	<000–255>	Utilise le paramétrage de blanc défini en usine
		Green		Définit la valeur maximale de LED rouge
		Blue		Définit la valeur maximale de LED verte
		Amber		Définit la valeur maximale de LED bleue
Lime	Définit la valeur maximale de LED ambre			
LED Frequency	600Hz		Permet de sélectionner la fréquence de sortie MLI	
	1200Hz			
	2000Hz			
	4000Hz			
	6000Hz			
	25KHz			
Fan Mode	Auto		Réglez le ventilateur en mode automatique	
	On		Réglez le mode de ventilateur toujours	
	Off		Règle le ventilateur sur toujours	
	Silent		Règle le ventilateur sur silencieux	
Back Light	On		Affichage rétro-éclairage toujours active	
	10S		Désactive l'affichage rétro-éclairage après 10 secondes d'inactivité	
	20S		Désactive l'affichage rétro-éclairage après 20 secondes d'inactivité	
	30S		Désactive l'affichage rétro-éclairage après 30 secondes d'inactivité	

Niveau Principal	Niveaux de Programmation		Description
Information	Fixture Hours	<_ _ _ _ H>	Affiche le nombre total des heures du produit
	Version	<V _ . _>	Affiche la version du logiciel installée
	UID	<_ _ _ _ _ _ _ _ _ _>	Affiche UID actuel

### DMX Values

#### 15 Ch

Canal	Fonction	Valeur	Pourcentage/Configuration
1	Gradateur	000 ⇔ 255	0–100%
2	Gradateur fin	000 ⇔ 255	0–100%
3	Rouge	000 ⇔ 255	0–100%
4	Rouge fin	000 ⇔ 255	0–100%
5	Vert	000 ⇔ 255	0–100%
6	Vert fin	000 ⇔ 255	0–100%
7	Bleu	000 ⇔ 255	0–100%
8	Bleu fin	000 ⇔ 255	0–100%
9	Ambre	000 ⇔ 255	0–100%
10	Ambre fin	000 ⇔ 255	0–100%
11	Lime	000 ⇔ 255	0–100%
12	Lime fin	000 ⇔ 255	0–100%
13	Stroboscope	000 ⇔ 010 011 ⇔ 255	Pas de fonction Stroboscope, lent à rapide
14	Roue de couleurs virtuelles	000 ⇔ 255	Consultez la section <a href="#">Gamme de Couleurs</a>
15	Température de la couleur	000 ⇔ 255	Consultez la section <a href="#">Gamme des températures de couleur</a>

#### 13 Ch

Canal	Fonction	Valeur	Pourcentage/Configuration
1	Gradateur	000 ⇔ 255	0–100%
2	Gradateur fin	000 ⇔ 255	0–100%
3	Rouge	000 ⇔ 255	0–100%
4	Rouge fin	000 ⇔ 255	0–100%
5	Vert	000 ⇔ 255	0–100%
6	Vert fin	000 ⇔ 255	0–100%
7	Bleu	000 ⇔ 255	0–100%
8	Bleu fin	000 ⇔ 255	0–100%
9	Ambre	000 ⇔ 255	0–100%
10	Ambre fin	000 ⇔ 255	0–100%
11	Lime	000 ⇔ 255	0–100%
12	Lime fin	000 ⇔ 255	0–100%
13	Stroboscope	000 ⇔ 010 011 ⇔ 255	Pas de fonction Stroboscope, lent à rapide

#### 12 Ch

Canal	Fonction	Valeur	Pourcentage/Configuration
1	Gradateur	000 ⇔ 255	0–100%
2	Rouge	000 ⇔ 255	0–100%
3	Vert	000 ⇔ 255	0–100%
4	Bleu	000 ⇔ 255	0–100%
5	Ambre	000 ⇔ 255	0–100%
6	Lime	000 ⇔ 255	0–100%
7	Strobe	000 ⇔ 010 011 ⇔ 255	Pas de fonction Stroboscope, lent à rapide
8	Roue de couleurs virtuelles	000 ⇔ 255	Consultez la section <a href="#">Gamme de Couleurs</a>
9	Température de la couleur	000 ⇔ 255	Consultez la section <a href="#">Gamme des températures de couleur</a>

Canal	Fonction	Valeur	Pourcentage/Configuration
10	Programmes automatiques	000 ⇔ 010	Pas de fonction
		011 ⇔ 060	Programme automatique 1
		061 ⇔ 110	Programme automatique 2
		111 ⇔ 160	Programme automatique 3
		161 ⇔ 210	Programme automatique 4
211 ⇔ 255	Programme automatique 5		
11	Vitesse du programme	000 ⇔ 255	Vitesse du programme, lent à rapide
12	Vitesse du Gradateur	000 ⇔ 051	Pas de fonction
		052 ⇔ 101	Gradateur linéaire
		102 ⇔ 152	Courbe de gradation 1
		153 ⇔ 203	Courbe de gradation 2
204 ⇔ 255	Courbe de gradation 3		

**10 Ch**

Canal	Fonction	Valeur	Pourcentage/Configuration
1	Gradateur	000 ⇔ 255	0–100%
2	Gradateur fin	000 ⇔ 255	0–100%
3	Rouge	000 ⇔ 255	0–100%
4	Vert	000 ⇔ 255	0–100%
5	Bleu	000 ⇔ 255	0–100%
6	Ambre	000 ⇔ 255	0–100%
7	Lime	000 ⇔ 255	0–100%
8	Stroboscope	000 ⇔ 010	Pas de fonction
		011 ⇔ 255	Stroboscope, lent à rapide
9	Roue de couleurs virtuelles	000 ⇔ 255	Consultez la section <a href="#">Gamme de Couleurs</a>
10	Température de la couleur	000 ⇔ 255	Consultez la section <a href="#">Gamme des températures de couleur</a>

**7Ch**

Canal	Fonction	Valeur	Pourcentage/Configuration
1	Dimmer	000 ⇔ 255	0–100%
2	Rouge	000 ⇔ 255	0–100%
3	Vert	000 ⇔ 255	0–100%
4	Bleu	000 ⇔ 255	0–100%
5	Ambre	000 ⇔ 255	0–100%
6	Lime	000 ⇔ 255	0–100%
7	Stroboscope	000 ⇔ 010	Pas de fonction
		011 ⇔ 255	Stroboscope, lent à rapide

**5Ch**

Canal	Fonction	Valeur	Pourcentage/Configuration
1	Rouge	000 ⇔ 255	0–100%
2	Vert	000 ⇔ 255	0–100%
3	Bleu	000 ⇔ 255	0–100%
4	Ambre	000 ⇔ 255	0–100%
5	Lime	000 ⇔ 255	0–100%

**3Ch**

Canal	Fonction	Valeur	Pourcentage/Configuration
1	Gradateur	000 ⇔ 255	0–100%
2	Roue de couleurs virtuelles	000 ⇔ 255	Consultez la section <a href="#">Gamme de Couleurs</a>
3	Température de la couleur	000 ⇔ 255	Consultez la section <a href="#">Gamme des températures de couleur</a>

FR

## HSV

Canal	Fonction	Valeur	Pourcentage/Configuration
1	Teint	000 ⇔ 255	0–100%
2	Saturation	000 ⇔ 255	0–100%
3	Valeur	000 ⇔ 255	0–100%
4	Rotation de Gobo	000 ⇔ 127 128 ⇔ 190 191 ⇔ 192 193 ⇔ 255	Index de rotation de gobo Rotation horaire, lent à rapide Arrêt Rotation antihoraire, lent à rapide

## Über diese Schnellanleitung

In der Schnellanleitung des Ovation E-910FC finden Sie die wesentlichen Produktinformationen, wie etwa über den Anschluss, die Montage, Menüoptionen und DMX-Werte des Geräts. Laden Sie für weiterführende Informationen unter [www.chauvetprofessional.com](http://www.chauvetprofessional.com) das Benutzerhandbuch herunter.

### Haftungsausschluss

Die in dieser Anleitung aufgeführten Informationen und Spezifikationen können ohne vorherige Ankündigung geändert werden.

### EINGESCHRÄNKTE GARANTIE

**ZUR REGISTRIERUNG FÜR GARANTIEANSPRÜCHE UND ZUR EINSICHT IN DIE VOLLSTÄNDIGEN GESCHÄFTSBEDINGUNGEN BESUCHEN SIE BITTE UNSERE WEBSITE.**

**Für Kunden in den USA und in Mexiko:** [www.chauvetlighting.com/warranty-registration](http://www.chauvetlighting.com/warranty-registration)

**Für Kunden im Vereinigten Königreich, in Irland, Belgien, den Niederlanden, Luxemburg, Frankreich und Deutschland:** [www.chauvetlighting.eu/warranty-registration/](http://www.chauvetlighting.eu/warranty-registration/)

Chauvet garantiert für die in der auf unserer Website veröffentlichten vollständigen eingeschränkten Garantie genannten Dauer und unter Vorbehalt der darin genannten Haftungsausschlüsse und -beschränkungen, dass dieses Produkt bei normalen Gebrauch frei von Material- und Verarbeitungsfehlern ist. Diese Garantie erstreckt sich nur auf den Erstkäufer des Produkts und ist nicht übertragbar. Zur Ausübung der unter dieser Garantie gewährten Rechte ist der Kaufbeleg in Form der Originalrechnung von einem autorisierten Händler vorzulegen, in der die Produktbezeichnung und das Kaufdatum vermerkt sein müssen. **ES BESTEHEN KEINE WEITEREN AUSDRÜCKLICHEN ODER STILLSCHWEIGENDEN GARANTIEN.** Diese Garantie gibt Ihnen besondere gesetzliche Rechte. Und Sie haben möglicherweise weitere Rechte, die von Land zu Land unterschiedlich sein können. Diese Garantie ist nur in den USA, im Vereinigten Königreich, in Irland, Belgien, den Niederlanden, Luxemburg, Frankreich, Deutschland und Mexiko gültig. Bezüglich der Garantiebestimmungen in anderen Ländern wenden Sie sich bitte an Ihren lokalen Händler.

### Sicherheitshinweise

- Dieses Gerät **NICHT** öffnen. Die eingebauten Komponenten sind für den Kunden wartungsfrei.
- Um unnötigen Verschleiß zu vermeiden und die Lebensdauer des Geräts zu verlängern, trennen Sie während längerer Perioden des Nichtgebrauchs das Gerät vom Stromnetz – entweder per Trennschalter oder durch Herausziehen des Steckers aus der Steckdose.
- **NIEMALS** in die Lichtquelle schauen, während das Gerät eingeschaltet ist.
- **VORSICHT:** Das Gehäuse dieses Produkts kann während des Betriebs heiß werden. Installieren Sie das Gerät an einem Ort mit ausreichender Belüftung und mit einem Abstand von mindestens 50 cm zu den angrenzenden Flächen.
- Belassen Sie **KEINE** entflammaren Materialien in einem Umkreis von 50 cm dieses Geräts, während es in Betrieb oder an der Stromversorgung angeschlossen ist.
- **VORSICHT:** Beim Transport des Geräts von einer Umgebung mit außergewöhnlichen Temperaturen in eine andere solche Umgebung (z. B. aus einem kalten Transporter in einen warm-feuchten Ballsaal) kann an der im Gerät enthaltenen Elektronik Wasser kondensieren. Um einen Defekt zu vermeiden, muss sich das Gerät erst in der neuen Umgebung akklimatisiert haben, bevor es an die Stromversorgung angeschlossen werden kann.
- **VERWENDEN** Sie bei Montage über Kopf immer ein Sicherheitsseil.
- Dieses Gerät darf **NICHT** in Wasser eingetaucht werden (IP20). Eine regelmäßige Verwendung dieses Geräts im Freien ist möglich.
- **NIEMALS** das Gerät in Betrieb nehmen, wenn Ihnen das Gehäuse, die Linsen oder das Kabel beschädigt erscheinen.
- Schließen Sie dieses Gerät **NICHT** an einen Dimmer oder Regelwiderstand an.
- Schließen Sie dieses Produkt **NUR** an einen mit der Erde verbundenen und geschützten Stromkreis an.
- Das Gerät **NUR** an den Hänge-/Befestigungsbügeln oder Griffen tragen.
- Bei ernsthaften Betriebsproblemen stoppen Sie umgehend die Verwendung des Geräts.
- Die maximal zulässige Umgebungstemperatur beträgt 45 °C. Nehmen Sie das Gerät nicht bei höheren Temperaturen in Betrieb.

## Kontakt

Kunden außerhalb der USA, GB, Irland, Mexiko, Frankreichs, Deutschlands oder der Benelux-Staaten wenden sich an ihren Lieferanten, um den Kundensupport in Anspruch zu nehmen oder ein Produkt zurückzuschicken. Kunden innerhalb der USA, GB, Irland, Mexiko, Frankreichs, Deutschlands oder der Benelux-Länder verwenden bitte die Informationen unter [Contact Us](#) am Ende dieser Schnellanleitung.

## Packungsinhalt

- Ovation E-910FC
- Netzkabel Seetronic Powerkon
- Schnellanleitung

## Wechselstrom

Dieses Gerät verfügt über ein Vorschaltgerät, das automatisch die anliegende Spannung erkennt, sobald der Netzstecker in die Schukosteckdose gesteckt wird, und kann mit einer Eingangsspannung von 100~240 V AC, 50/60 Hz arbeiten.

## Serienschaltung der Geräte

Sie können bis zu 6 Ovation E-910FC Geräte bei 120 V AC, 11 Geräte bei 208 V und 12 Geräte bei 230 V AC in Serie schalten. Diese Anzahl niemals überschreiten! Stromkabel für die Serienschaltung können separat erworben werden.

## Wechselstromstecker

Anschluss	Draht (USA)	Draht (Europa)	Schraubenfarbe
Stromführender AC-Leiter	Schwarz	Braun	Gelb/Messingfarben
AC-Neutralleiter	Weiß	Blau	Silber
AC-Erdungsleiter	Grün/Gelb	Grün/Gelb	Grün



**Um Verschleiß zu vermeiden und die Lebensdauer des Geräts zu verlängern, trennen Sie während längerer Perioden des Nichtgebrauchs das Gerät vom Stromnetz – entweder per Trennschalter oder durch Herausziehen des Steckers aus der Steckdose.**

## Auswechseln der Sicherung

1. Trennen Sie das Gerät vom Stromnetz.
2. Mit einem Flachkopfschraubendreher lösen Sie die Abdeckung des Sicherungshalters vom Gehäuse.
3. Entfernen Sie die durchgebrannte Sicherung, und ersetzen Sie diese durch eine Sicherung des gleichen Typs und mit den gleichen Werten.
4. Schrauben Sie die Abdeckung der Sicherung wieder ein, und schließen Sie das Gerät wieder an das Stromnetz an.

## DMX-Verbindung

Die Ovation E-910FC kann mit einem DMX-Controller betrieben werden, wenn eine 3-polige oder eine 5-polige DMX-Datenverbindung zum Einsatz kommt. Sie können sich eine Einführung in DMX unter [www.chauvetprofessional.com](http://www.chauvetprofessional.com) herunterladen.

## DMX-Anschluss

Der Ovation E-910FC nutzt zur Steuerung seiner DMX-Eigenschaften eine 3-polige oder eine 5-polige DMX-Datenverbindung: **3 Ch, 5 Ch, 7 Ch, 10 Ch, 12 Ch, 13 Ch, 15 Ch**, und **HSV**. Informationen zum Anschließen und Konfigurieren des Geräts für einen DMX-Betrieb finden Sie in der Bedienungsanleitung.

## Master/Slave-Schaltung

Der Ovation E-910FC verwendet für seinen Master/Slave-Modus eine DMX-Datenverbindung. Informationen zum Anschließen und Konfigurieren des Geräts für einen Master/Slave-Betrieb finden Sie in der Bedienungsanleitung.

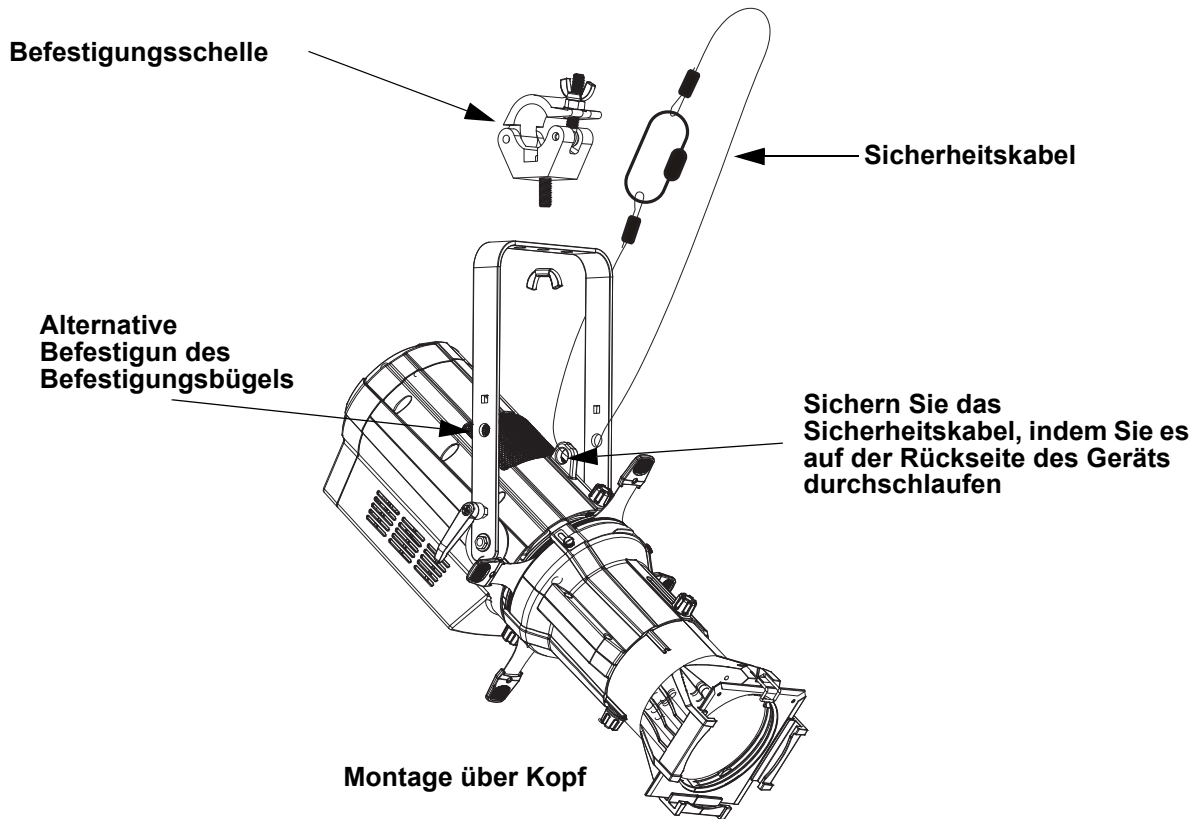
## RDM (Remote Device Management)

Remote Device Management bzw. RDM ist ein Standard, mit dem DMX-aktivierte Geräte bidirektional entlang bestehender DMX-Kabel kommunizieren können. Der STRIKE Saber unterstützt das RDM-Protokoll, über das Feedback zur Überwachung der Änderungen der Menüoptionen gegeben wird. Laden Sie für weiterführende Informationen unter [www.chauvetprofessional.com](http://www.chauvetprofessional.com) das Benutzerhandbuch herunter.

## Montage

Lesen Sie vor der Montage dieses Geräts die [Sicherheitshinweise](#). Mindestens einen Befestigungspunkt pro Gerät verwenden. Stellen Sie sicher, dass die Befestigungsklemmen dafür ausgelegt sind, das Produktgewicht tragen zu können. Informationen zu unserer CHAUVET-Produktlinie für Befestigungsklemmen finden Sie unter <http://trusst.com/productcategory/truss-clamps/>

### Ansicht Gerätemontage



## Descripción del Panel de Control

Taste	Funktion
<MENU>	Damit verlassen Sie das aktuelle Menü oder die Funktion.
<ENTER>	Damit wird das aktuell angezeigte Menü aktiviert oder der aktuell ausgewählte Wert einer Funktion eingestellt
<UP>	Damit navigieren Sie sich durch die Menüpunkte nach oben und erhöhen den numerischen Wert der entsprechenden Funktion.
<DOWN>	Damit navigieren Sie sich durch die Menüpunkte nach unten und verringern den numerischen Wert der entsprechenden Funktion.

## Linsenröhren

Folgende Linsenröhren sind erhältlich:

- 19°, 26°, 36°, and 50° mit Gel-Rahmen (Zubehör für 6,25"/159 mm)
- 14°, 15°–30° and 25°–50°, Zoom-Gel-Rahmen (Zubehör für 7,5"/191 mm)

## Sicherheitscode

Geben Sie nach der entsprechenden Aufforderung den folgenden Sicherheitscode ein, indem Sie diese Tasten betätigen <UP>, <DOWN>, <UP>, <DOWN>, <ENTER>

Dieser Sicherheitscode kann nicht geändert werden und ist nach entsprechender Aufforderung immer zu verwenden.

## Virtuelles Farbrad (VCW)

Der Ovation E-910FC verfügt über eine Funktion mit der Bezeichnung Virtuelles Farbrad ( Virtual Color Wheel, VCW). Diese Funktion steht als Stand-alone-Steuerungsmodus für die manuelle Bedienung sowie als Steuerungskanal bei ausgewählten DMX-Eigenschaften zur Verfügung. Es sind mehr als 30 von unseren Technikern vorgemischte Farben verfügbar, um die Programmierung einfacher zu gestalten. Die zum Mischen dieser Farben verwendeten DMX-Werte sind nachstehend angegeben. Sie können die Gesamtintensität des Ovation anpassen, um die Farben, mit denen Sie vertraut sind, besser nachzubilden. Auf unserer Website [www.chauvetprofessional.com](http://www.chauvetprofessional.com) finden Sie eine Tabelle, mit deren Hilfe Sie unsere vorgemischten Farben mit beliebigen Gel-Farben vergleichen können. Diese Tabelle dient einzig Vergleichszwecken und ist keine Gewähr dafür, dass unsere vorgemischten Farben mit einer der aufgeführten Gel-Farben übereinstimmen.

**Tabelle: Virtuelles Farbrad**

DMX-Kanal-Wert	Anzeige auf Display	Roter Wert	Grüner Wert	Blauer Wert	Bernsteinfarbener Wert	Neongrüner Wert
000 ⇔ 005	--	000	000	000	000	000
006 ⇔ 013	<b>C3050 - Md Yellow</b>	233	163	020	123	255
014 ⇔ 021	<b>C3040 - Lt Yellow</b>	224	158	047	255	231
022 ⇔ 028	<b>C3240 - Amb Yellow</b>	180	060	000	245	255
029 ⇔ 035	<b>C2340 - VLt Amber</b>	245	107	081	255	213
036 ⇔ 043	<b>C2040 - Lt Amber</b>	230	130	062	255	155
044 ⇔ 051	<b>C2050 - Md Amber</b>	255	000	025	255	194
052 ⇔ 059	<b>C2060 - Dk Amber</b>	255	000	024	255	150
060 ⇔ 067	<b>C1050 - Lt Red</b>	255	037	027	030	038
068 ⇔ 075	<b>C1080 - Md Red</b>	255	004	017	000	000
076 ⇔ 083	<b>C1020 - NC Pink</b>	238	135	129	255	255
084 ⇔ 091	<b>C1030 - Md Pink</b>	255	131	120	255	195
092 ⇔ 099	<b>C1630 - Dk Pink</b>	255	165	123	255	210
100 ⇔ 107	<b>C1250 - Md Red Amber</b>	255	000	041	195	055
108 ⇔ 115	<b>C1060 - Dk Red Amber</b>	255	000	045	120	030
116 ⇔ 121	<b>C1650 - Magenta</b>	255	050	115	255	115
122 ⇔ 130	<b>C6170 - Dk Magenta</b>	255	035	117	000	000
131 ⇔ 138	<b>C6020 - Lt Lavender</b>	127	122	142	251	255
139 ⇔ 146	<b>C5030 - Lt Blue</b>	000	255	197	100	255
147 ⇔ 154	<b>C5020 - VLt Blue</b>	158	255	189	000	255
155 ⇔ 162	<b>C5430 - Lt Blue 2</b>	000	255	180	000	243
163 ⇔ 170	<b>C5070 - Blue</b>	043	255	210	043	036
171 ⇔ 178	<b>C5050 - Md Blue</b>	000	255	218	000	181
179 ⇔ 186	<b>C5060 - Dk Blue</b>	000	210	206	000	118
187 ⇔ 194	<b>C5690 - Indigo</b>	065	000	210	040	055
195 ⇔ 202	<b>C5080 - VDk Blue</b>	000	203	230	000	040
203 ⇔ 210	<b>C5081 - VDk Blue2</b>	040	199	240	000	045
211 ⇔ 218	<b>C4370 - Yel Green</b>	027	255	028	016	104
219 ⇔ 226	<b>C4070 - Green</b>	049	255	055	120	090
227 ⇔ 234	<b>C4550 - Turquoise</b>	060	230	109	000	245
235 ⇔ 242	<b>C4560 - Aqua</b>	020	240	126	036	255
243 ⇔ 250	<b>C4570 - Blue Green</b>	000	255	079	030	053
251 ⇔ 255	--	000	000	000	000	000



**Hinweis:** Die oben genannten Farben sind simulierte Ähnlichkeiten der Farbausgabe im Vergleich zu anderen, ähnlich weißglühenden Produkten. Chauvet gibt keine Gewährleistung bezüglich der Genauigkeit der Farbausgabe.



Farbtemperatur-Tabelle

DMX-Kanal-Wert	Anzeige auf Display	Roter Wert	Grüner Wert	Blauer Wert	Bernsteinfarbener Wert	Neongrüner Wert
000 ⇔ 005	--	000	000	000	000	000
006 ⇔ 025	<b>2800K</b>	255	199	107	253	255
026 ⇔ 050	<b>3200K</b>	253	247	129	255	255
051 ⇔ 075	<b>3500K</b>	234	255	141	253	255
076 ⇔ 100	<b>4000K</b>	204	255	156	243	255
101 ⇔ 125	<b>4500K</b>	181	248	166	224	255
126 ⇔ 150	<b>5000K</b>	160	255	180	241	255
151 ⇔ 175	<b>5600K</b>	138	255	191	241	255
176 ⇔ 200	<b>6000K</b>	147	255	193	203	255
201 ⇔ 225	<b>6500K</b>	142	251	197	187	255
226 ⇔ 255	--	000	000	000	000	000



**Hinweis:** Die oben genannten Farbtemperaturen sind simulierte Ähnlichkeiten der Farbausgabe im Vergleich zu einer Wolframlampe mit spezifizierter Farbtemperatur. Chauvet gibt keine Gewährleistung bezüglich der Genauigkeit der Farbausgabe.

Menüstruktur

Hauptebene	Programmirebenen		Beschreibung
<b>DMX Address</b>	<b>001–512</b>		Wählt die DMX-Adresse aus (der höchste Kanal ist auf die gewählte Eigenschaft beschränkt)
<b>DMX Channel</b>	<b>3 Ch</b>		3-Kanal: Dimmer, VCW, Farbtemperatur
	<b>5 Ch</b>		5-Kanal: RGBAL
	<b>7 Ch</b>		7-Kanal: Dimmer, RGBAL, Stroboskopeffekt
	<b>10 Ch</b>		10-Kanal: 16-Bit-Dimmer, RGBAL, Stroboskopeffekt, VCW, Farbtemperatur
	<b>12 Ch</b>		12-Kanal: Dimmer, RGBAL, Stroboskopeffekt, VCW, Farbtemperatur, Auto-Show, Auto-Geschwindigkeit, Dimmungs-Geschwindigkeits-Modus
	<b>13 Ch</b>		13-Kanal: 16-Bit-Dimmer, 16-Bit-RGBW, Stroboskopeffekt
	<b>15 Ch</b>		15-Kanal: 16-Bit-Dimmer, 16-Bit-RGBAL, Stroboskopeffekt, VCW, Farbtemperatur
	<b>HSV</b>		3-Kanal: Farbton, Farbsättigung, Farbwert
<b>Virtual Color Wheel</b>	<b>Virtual Color Wheel</b>	<b>C3050-Md Yellow</b> <b>C3040-Lt Yellow</b> <b>C3240-Amb Yellow</b> <b>C2340-VLt Amber</b> <b>C2040-Lt Amber</b> <b>C2050-Md Amber</b> <b>C2060-Dk Amber</b> <b>C1050-Lt Red</b> <b>C1080-Md Red</b> <b>C1020-NC Pink</b> <b>C1030-Md Pink</b> <b>C1630-Dk Pink</b> <b>C1250-Md Red Amber</b> <b>C1060-Dk Red Amber</b> <b>C1650-Magenta</b> <b>C6170-Dk Magenta</b> <b>C6020-Lt Lavender</b>	<b>Dimmer &lt;000–255&gt;</b> Das Virtuelle Farbrad simuliert die Ausgabe jeder Gel-Farbe. Für spezifische Werte, siehe den Abschnitt <a href="#">Tabelle: Virtuelles Farbrad</a>

Hauptebene	Programmirebenen			Beschreibung
Virtual Color Wheel	Virtual Color Wheel	C5030-Lt Blue	Dimmer <000–255>	Das Virtuelle Farbrad simuliert die Ausgabe jeder Gel-Farbe. Für spezifische Werte, siehe den Abschnitt <a href="#">Tabelle: Virtuelles Farbrad</a>
		C5020-VLt Blue		
		C5430-Lt Blue2		
		C5070-Blue		
		C5050-Md Blue		
		C5060-Dk Blue		
		C5690- Indigo		
		C5080-VDk Blue		
		C5081-VDk Blue2		
		C4370-Yel Green		
		C4070-Green		
		C4550-Turquoise		
		C4560-Aqua		
		C4570-Blue Green		
		Color Temperature		
3200K				
3500K				
4000K				
4500K				
5000K				
5600K				
6000K				
6500K				
Manual Color Mixer	Manual Color Mixer	Red		Kombiniert rote, grüne, blaue, bernsteinfarbene und neongrüne Farben zu einer benutzerdefinierten Farbe (0–100%)
		Green		
		Blue		
		Amber		
		Lime		
Auto Show	Auto 1–5	<001–100>	Wählt das Auto-Programm und die Programm-Geschwindigkeit aus	
Master/ Slave	Master		DMX-Modus (Master)	
	Slave		Slave-Modus	
Dimmer Mode	Off		Linearer Dimmer	
	Dimmer 1–3		Dimmungskurven Dimmer 1 (schnell) nach Dimmer 3 (langsam)	
White Balance	Off		Verwendet die werksseitig voreingestellte Standardeinstellung "Weiß"	
	Manual	Red	<000–255>	Stellt den maximalen Wert der roten LED ein
		Green		Stellt den maximalen Wert der grünen LED ein
		Blue		Stellt den maximalen Wert der blauen LED ein
		Amber		Stellt den maximalen Wert der bernsteinfarbenen LED ein
Lime		Stellt den maximalen Wert der neongrünen LED ein		
LED Frequency	600Hz		Stellt die PWM-Frequenz ein	
	1200Hz			
	2000Hz			
	4000Hz			
	6000Hz			
	25KHz			
Fan Mode	Auto		Stellt den Lüfter auf den Auto-Modus ein	
	On		Stellt den Lüfter auf den "immer eingeschaltet"-Modus ein	
	Off		Setzt den Lüfter auf immer aus	
	Silent		Stellt den Lüfter auf lautlos	

Hauptebene	Programmirebenen		Beschreibung
Back Light	On		Hintergrundbeleuchtung immer an
	10S		Damit wird die Hintergrundbeleuchtung der Anzeige nach 10 Sekunden Inaktivität ausgeschaltet
	20S		Damit wird die Hintergrundbeleuchtung der Anzeige nach 20 Sekunden Inaktivität ausgeschaltet
	30S		Damit wird die Hintergrundbeleuchtung der Anzeige nach 30 Sekunden Inaktivität ausgeschaltet
Information	Fixture Hours	<_ _ _ _ H>	Zeigt an, wie lange das Gerät eingeschaltet gewesen ist
	Version	<V _ . _>	Zeigt die aktuelle Firmware-Version an
	UID	<_ _ _ _ _ _ _ _ _ _>	Zeigt die Geräte-UID an

**DMX-Werte**
**15 Ch**

Kanal	Funktion	Wert	Prozent/Einstellung
1	Dimmer	000 ⇔ 255	0–100%
2	Dimmer, fein	000 ⇔ 255	0–100%
3	Rot	000 ⇔ 255	0–100%
4	Rot, fein	000 ⇔ 255	0–100%
5	Grün	000 ⇔ 255	0–100%
6	Grün, fein	000 ⇔ 255	0–100%
7	Blau	000 ⇔ 255	0–100%
8	Blau, fein	000 ⇔ 255	0–100%
9	Bernsteinfarben	000 ⇔ 255	0–100%
10	Bernsteinfarben, fein	000 ⇔ 255	0–100%
11	Neongrün	000 ⇔ 255	0–100%
12	Neongrün, fein	000 ⇔ 255	0–100%
13	Stroboskop	000 ⇔ 010 011 ⇔ 255	Keine Funktion Blitzfrequenz (von langsam nach schnell)
14	Virtuelles Farbrad	000 ⇔ 255	Siehe <a href="#">Tabelle: Virtuelles Farbrad</a>
15	Farbtemperatur	000 ⇔ 255	Siehe <a href="#">Farbtemperatur-Tabelle</a>

**13 Ch**

Kanal	Funktion	Wert	Prozent/Einstellung
1	Dimmer	000 ⇔ 255	0–100%
2	Dimmer, fein	000 ⇔ 255	0–100%
3	Rot	000 ⇔ 255	0–100%
4	Rot, fein	000 ⇔ 255	0–100%
5	Grün	000 ⇔ 255	0–100%
6	Grün, fein	000 ⇔ 255	0–100%
7	Blau	000 ⇔ 255	0–100%
8	Blau, fein	000 ⇔ 255	0–100%
9	Bernsteinfarben	000 ⇔ 255	0–100%
10	Bernsteinfarben, fein	000 ⇔ 255	0–100%
11	Neongrün	000 ⇔ 255	0–100%
12	Neongrün, fein	000 ⇔ 255	0–100%
13	Stroboskop	000 ⇔ 010 011 ⇔ 255	Keine Funktion Blitzfrequenz (von langsam nach schnell)

**12 Ch**

Kanal	Funktion	Wert	Prozent/Einstellung
1	Dimmer	000 ⇔ 255	0–100%
2	Rot	000 ⇔ 255	0–100%

DE

Kanal	Funktion	Wert	Prozent/Einstellung
3	Grün	000 ⇔ 255	0–100%
4	Blau	000 ⇔ 255	0–100%
5	Bernsteinfarben	000 ⇔ 255	0–100%
6	Neongrün	000 ⇔ 255	0–100%
7	Stroboskop	000 ⇔ 010 011 ⇔ 255	Keine Funktion Blitzfrequenz (von langsam nach schnell)
8	Virtuelles Farbrad	000 ⇔ 255	Siehe <a href="#">Tabelle: Virtuelles Farbrad</a>
9	Farbtemperatur	000 ⇔ 255	Siehe <a href="#">Farbtemperatur-Tabelle</a>
10	Auto-Programme	000 ⇔ 010 011 ⇔ 060 061 ⇔ 110 111 ⇔ 160 161 ⇔ 210 211 ⇔ 255	Keine Funktion Auto-Programm 1 Auto-Programm 2 Auto-Programm 3 Auto-Programm 4 Auto-Programm 5
11	Geschwindigkeit des Auto-Programms	000 ⇔ 255	Auto-Geschwindigkeit (von langsam nach schnell)
12	Dimmungs-Geschwindigkeits-Modus	000 ⇔ 051 052 ⇔ 101 102 ⇔ 152 153 ⇔ 203 204 ⇔ 255	Keine Funktion Dimmungs-Geschwindigkeits-Modus aus Dimmungs-Geschwindigkeits-Modus 1 Dimmungs-Geschwindigkeits-Modus 2 Dimmungs-Geschwindigkeits-Modus 3

## 10 Ch

Kanal	Funktion	Wert	Prozent/Einstellung
1	Dimmer	000 ⇔ 255	0–100%
2	Dimmer, fein	000 ⇔ 255	0–100%
3	Rot	000 ⇔ 255	0–100%
4	Grün	000 ⇔ 255	0–100%
5	Blau	000 ⇔ 255	0–100%
6	Bernsteinfarben	000 ⇔ 255	0–100%
7	Neongrün	000 ⇔ 255	0–100%
8	Stroboskop	000 ⇔ 010 011 ⇔ 255	Keine Funktion Blitzfrequenz (von langsam nach schnell)
9	Virtuelles Farbrad	000 ⇔ 255	Siehe <a href="#">Tabelle: Virtuelles Farbrad</a>
10	Farbtemperatur	000 ⇔ 255	Siehe <a href="#">Farbtemperatur-Tabelle</a>

## 7 Ch

Kanal	Funktion	Wert	Prozent/Einstellung
1	Dimmer	000 ⇔ 255	0–100%
2	Rot	000 ⇔ 255	0–100%
3	Grün	000 ⇔ 255	0–100%
4	Blau	000 ⇔ 255	0–100%
5	Bernsteinfarben	000 ⇔ 255	0–100%
6	Neongrün	000 ⇔ 255	0–100%
7	Stroboskop	000 ⇔ 010 011 ⇔ 255	Keine Funktion Blitzfrequenz (von langsam nach schnell)

## 5 Ch

Kanal	Funktion	Wert	Prozent/Einstellung
1	Rot	000 ⇔ 255	0–100%
2	Grün	000 ⇔ 255	0–100%
3	Blau	000 ⇔ 255	0–100%

Kanal	Funktion	Wert	Prozent/Einstellung
4	Bernsteinfarben	000 ⇔ 255	0–100%
5	Neongrün	000 ⇔ 255	0–100%

**3 Ch**

Kanal	Funktion	Wert	Prozent/Einstellung
1	Dimmer	000 ⇔ 255	0–100%
2	Virtuelles Farbrad	000 ⇔ 255	Siehe <a href="#">Tabelle: Virtuelles Farbrad</a>
3	Farbtemperatur	000 ⇔ 255	Siehe <a href="#">Farbtemperatur-Tabelle</a>

**HSV**

Kanal	Funktion	Wert	Prozent/Einstellung
1	Schattierung	000 ⇔ 255	0–100%
2	Sättigung	000 ⇔ 255	0–100%
3	Wert	000 ⇔ 255	0–100%

## Over deze handleiding

De Ovation E-910FC Beknopte Handleiding (BH) bevat basisinformatie over het product, zoals aansluiting, montage, menu-opties en DMX-waarden. Download de gebruikershandleiding op [www.chauvetprofessional.com](http://www.chauvetprofessional.com) voor meer informatie.

### Disclaimer

De informatie en specificaties in deze BH kunnen zonder voorafgaande kennisgeving worden gewijzigd.

### BEPERKTE GARANTIE

**GA NAAR ONZE WEBSITE VOOR REGISTRATIE VAN DE GARANTIE EN DE VOLLEDIGE ALGEMENE VOORWAARDEN.**

Voor klanten in de Verenigde Staten en Mexico: [www.chauvetlighting.com/warranty-registration](http://www.chauvetlighting.com/warranty-registration)

Voor klanten in het Verenigd Koninkrijk, Ierland, België, Nederland, Luxemburg, Frankrijk en Duitsland: [www.chauvetlighting.eu/warranty-registration/](http://www.chauvetlighting.eu/warranty-registration/)

Chauvet garandeert dat dit product bij normaal gebruik vrij zal blijven van defecten in materiaal en vakmanschap, voor de opgegeven periode en onder voorbehoud van de uitzonderingen en beperkingen die zijn uiteengezet in de volledige beperkte garantie op onze website. Deze garantie geldt uitsluitend voor de oorspronkelijke koper van het product en is niet overdraagbaar. Om onder deze garantie rechten uit te oefenen, moet u een aankoopbewijs overleggen in de vorm van een origineel verkoopbewijs van een geautoriseerde dealer, waarop de naam van het product en de aankoopdatum zichtbaar zijn. ER ZIJN GEEN ANDERE EXPLICIETE OF IMPLICIETE GARANTIES. Deze garantie geeft u specifieke wettelijke rechten. Mogelijk heeft u ook andere rechten die van staat tot staat en van land tot land verschillen. Deze garantie is uitsluitend geldig in de Verenigde Staten, het Verenigd Koninkrijk, Ierland, België, Nederland, Luxemburg, Frankrijk, Duitsland en Mexico. Neem contact op met uw lokale verkoper voor garantievoorwaarden in andere landen.

### Veiligheids instructies

- Open het product NIET. Het bevat geen te onderhouden onderdelen.
- Om onnodige slijtage te elimineren en zijn levensduur te verlengen, gedurende perioden wanneer het product niet wordt gebruikt, moet u het product van de stroom afsluiten door een aardlekschakelaar om te zetten of door het te ontkoppelen.
- KIJK NIET in de lichtbron wanneer het apparaat is ingeschakeld.
- LET OP: De behuizing van dit product kan heet zijn wanneer het in bedrijf is.
- Monteer dit product op een plek met voldoende ventilatie, ten minste 50 cm van de aangrenzende oppervlakken.
- Plaats geen ontvlambaar materiaal binnen 50 cm van dit product als het in gebruik is of is aangesloten op het stopcontact.
- LET OP: Bij het verplaatsen van het product uit extreme omgevingen, (bijv. koude vrachtwagen naar warme, vochtige balzaal) kan er condensvorming optreden op de elektronica van het product. Om storingen te vermijden moet het product volledig kunnen acclimatiseren aan de omgeving voordat het op stroom wordt aangesloten.
- GEBRUIK een veiligheidskabel bij het boven het hoofd plaatsen van dit product.
- Dit product NIET onderdompelen (IP20). Regelmatig gebruik buitenshuis is prima.
- Gebruik dit product NIET als de behuizing, lenzen of kabels beschadigd lijken.
- Sluit dit product NIET aan op een dimmer of een regelweerstand.
- Sluit dit product UITSLUITEND op een geaard en beveiligd stroomcircuit.
- Gebruik UITSLUITEND de ophang-/montagebeugel om dit product te dragen.
- Stop in het geval van ernstige operationele problemen onmiddellijk met het gebruik.
- De maximale omgevingstemperatuur bedraagt 45 °C. Gebruik dit product niet bij hogere temperaturen.

### Contact

Van buiten de VS, Verenigd Koninkrijk, Ierland, Benelux, Frankrijk, Duitsland of Mexico kunt u contact opnemen met de distributeur of om ondersteuning vragen dan wel het product retourneren. Ga naar [Contact Us](#) voor contactinformatie.

### Wat is inbegrepen

- Ovation E-910FC
- Seetronic Powerkon stroomsnoer
- Beknopte handleiding

## AC-stroom

Dit product heeft een voeding met automatisch bereik die werkt met een ingangsspanning van 100–240 VAC, 50/60 Hz.

### Power Linking

U kunt tot 6 Ovation E-910FC-producten koppelen bij 120 V, 11 producten bij 230 V, 12 producten bij 230 V. Dit aantal niet overschrijden. Power Linking-snoeren kunnen apart aangeschaft worden.

### AC-stekker

Aansluiting	Snoer (VS)	Snoer (Europa)	Schroefkleur
AC Live	Zwart	Bruin	Geel/messing
AC Neutraal	Wit	Blauw	Zilver
AC Aarde	Groen/geel	Groen/geel	Groen



**Om onnodige slijtage te elimineren en zijn levensduur te verlengen, gedurende perioden wanneer het product niet wordt gebruikt, moet u het product van de stroom afsluiten door een aardlekschakelaar om te zetten of door het te ontkoppelen.**

### De zekering vervangen

1. Ontkoppel dit product van de stroom.
2. Gebruik een kruiskopschroevendraaier nr. 2 en schroef de kap van de zekeringhouder los van de behuizing.
3. Verwijder de doorgebrande zekering en vervang het met een werkende zekering van hetzelfde type en met dezelfde waarde.
4. Schroef de kap van de zekeringhouder terug en steek de stekker er weer in.

### DMX-koppeling

De Ovation E-910FC kan met een DMX-controller werken met een normale DMX seriële verbinding. Op [www.chauvetprofessional.com](http://www.chauvetprofessional.com) is een DMX basishandleiding verkrijgbaar.

### DMX-aansluiting

De Ovation E-910FC gebruikt een normale DMX-gegevensverbinding voor zijn DMX-persoonlijkheden: **3Ch, 5Ch, 7Ch, 10 Ch, 12 Ch, 13 Ch, 15 Ch**, en **HSV**. Zie de gebruikershandleiding om te verbinden en te configureren voor DMX-werking.

### Master/slave-verbinding

De Ovation E-910FC maakt gebruik van de DMX-dataverbinding voor haar Master-/Slave-modus. Zie de gebruikershandleiding om te verbinden en te configureren voor Master/Slave-werking.

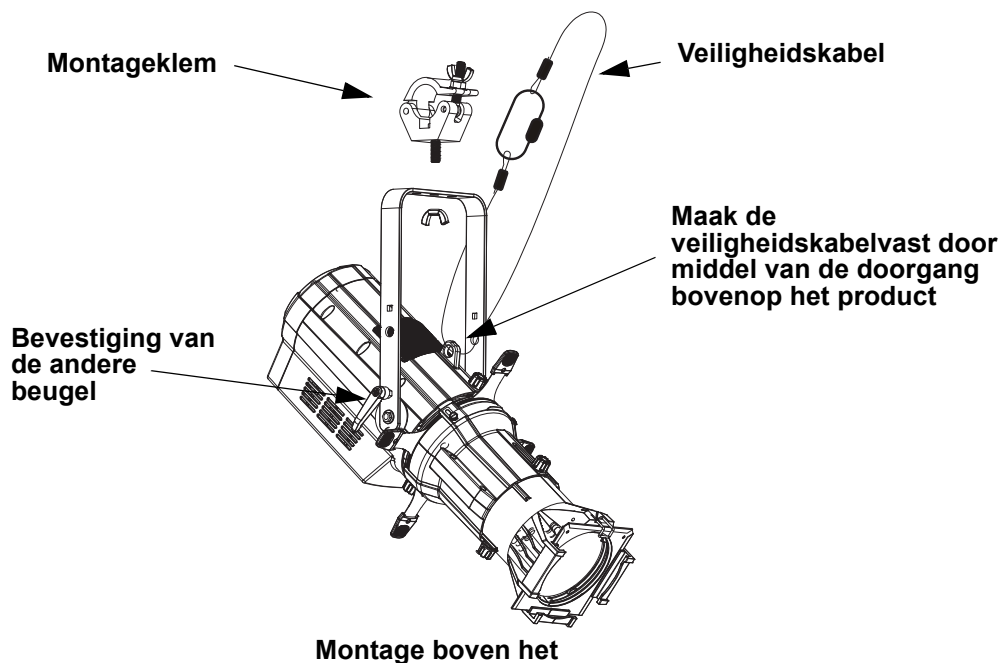
### RDM (apparaatbeheer op afstand)

Remote Device Management of RDM (apparaatbeheer op afstand) is een standaard die het voor DMX-apparaten mogelijk maakt om in twee richtingen te communiceren over bestaande DMX-kabels. De Ovation E-910FC ondersteunt het RDM-protocol dat zorgt feedback toelaat bij de bewaking van wijzigingen aan de menu map-opties van. Download de gebruikershandleiding op [www.chauvetprofessional.com](http://www.chauvetprofessional.com) voor meer informatie.

## Montage

Lees alvorens dit product te monteren alle [Veiligheids instructies](#). Controleer of de montageklem het gewicht van het product kan dragen. Ga voor onze Chauvet-serie montageklemmen naar <http://trusst.com/productcategory/truss-clamps/>

### Montagediagram van het product



## Beschrijving bedienings paneel

Toets	Functie
<MENU>	Sluit het huidige menu of functie af
<ENTER>	Activeert het huidige getoonde menu of plaatst de huidige geselecteerde waarde in de geselecteerde functie
<UP>	Navigeert omhoog via het menu of verhoogt de numerieke waarde wanneer in een functie
<DOWN>	Navigeert omlaag via het menu of verlaagt de numerieke waarde wanneer in een functie

## Toegangscode

Vul na dat gevraagd te worden de volgende toegangscode in door te drukken op:

<UP>, <DOWN>, <UP>, <DOWN>, <ENTER>

Dit toegangscode kan niet gewijzigd worden en moet indien gevraagd ingevuld worden.

## Lensbuizen

De volgende lensbuizen zijn aan te schaffen:

- 19°, 26°, 36°, en 50° met gelframe (159 mm accessoires)
- 14°, 15°–30° en 25°–50° Zoom gelframe (191 mm accessoires)

## Virtueel kleurenwiel

De Ovation E-910FC bevat een functie, genaamd het virtuele kleurenwiel (Virtual Color Wheel, VCW). Deze functie is beschikbaar als een losstaande bedieningsmodus voor handmatig gebruik en ook als een bedieningskanaal in de geselecteerde DMX-persoonlijkheden van de producten. Voor eenvoudiger programmering zijn er meer dan 30 voorgemengde kleuren beschikbaar die speciaal door onze technici zijn samengesteld.

De DMX-waarden die worden gebruikt voor het mengen van deze kleuren staan hieronder vermeld. U kunt de algehele intensiteit van het Ovation-armatuur aanpassen om de kleuren waarmee u bekend bent beter na te bootsen. Op onze website [www.chauvetprofessional.com](http://www.chauvetprofessional.com) is een tabel beschikbaar om onze voorgemengde kleuren te vergelijken met populaire gelkleuren. Deze grafiek is uitsluitend bedoeld voor vergelijkingsdoeleinden en vormt geen garantie dat onze voorgemengde kleuren overeenkomen met de vermelde gelkleuren.



**Kleurenkaart**

DMX-kanaalwaarde	Weergave op het display	Rode waarde	Groene waarde	Blauwe waarde	Gele waarde	Lime waarde
000 ⇄ 005	--	000	000	000	000	000
006 ⇄ 013	<b>C3050 - Md Yellow</b>	233	163	020	123	255
014 ⇄ 021	<b>C3040 - Lt Yellow</b>	224	158	047	255	231
022 ⇄ 028	<b>C3240 - Amb Yellow</b>	180	060	000	245	255
029 ⇄ 035	<b>C2340 - VLt Amber</b>	245	107	081	255	213
036 ⇄ 043	<b>C2040 - Lt Amber</b>	230	130	062	255	155
044 ⇄ 051	<b>C2050 - Md Amber</b>	255	000	025	255	194
052 ⇄ 059	<b>C2060 - Dk Amber</b>	255	000	024	255	150
060 ⇄ 067	<b>C1050 - Lt Red</b>	255	037	027	030	038
068 ⇄ 075	<b>C1080 - Md Red</b>	255	004	017	000	000
076 ⇄ 083	<b>C1020 - NC Pink</b>	238	135	129	255	255
084 ⇄ 091	<b>C1030 - Md Pink</b>	255	131	120	255	195
092 ⇄ 099	<b>C1630 - Dk Pink</b>	255	165	123	255	210
100 ⇄ 107	<b>C1250 - Md Red Amber</b>	255	000	041	195	055
108 ⇄ 115	<b>C1060 - Dk Red Amber</b>	255	000	045	120	030
116 ⇄ 121	<b>C1650 - Magenta</b>	255	050	115	255	115
122 ⇄ 130	<b>C6170 - Dk Magenta</b>	255	035	117	000	000
131 ⇄ 138	<b>C6020 - Lt Lavender</b>	127	122	142	251	255
139 ⇄ 146	<b>C5030 - Lt Blue</b>	000	255	197	100	255
147 ⇄ 154	<b>C5020 - VLt Blue</b>	158	255	189	000	255
155 ⇄ 162	<b>C5430 - Lt Blue 2</b>	000	255	180	000	243
163 ⇄ 170	<b>C5070 - Blue</b>	043	255	210	043	036
171 ⇄ 178	<b>C5050 - Md Blue</b>	000	255	218	000	181
179 ⇄ 186	<b>C5060 - Dk Blue</b>	000	210	206	000	118
187 ⇄ 194	<b>C5690 - Indigo</b>	065	000	210	040	055
195 ⇄ 202	<b>C5080 - Vdk Blue</b>	000	203	230	000	040
203 ⇄ 210	<b>C5081 - Vdk Blue2</b>	040	199	240	000	045
211 ⇄ 218	<b>C4370 - Yel Green</b>	027	255	028	016	104
219 ⇄ 226	<b>C4070 - Green</b>	049	255	055	120	090
227 ⇄ 234	<b>C4550 - Turquoise</b>	060	230	109	000	245
235 ⇄ 242	<b>C4560 - Aqua</b>	020	240	126	036	255
243 ⇄ 250	<b>C4570 - Blue Green</b>	000	255	079	030	053
251 ⇄ 255	--	000	000	000	000	000



Let op: De kleuren hierboven zijn gesimuleerde waargaven van de kleurenitvoer die zijn geproduceerd, in vergelijking met de andere gelijksoortige lichtproducten. Chauvet geeft geen garantie over de nauwkeurigheid van de kleuropbrengst.

**Kleurtemperatuur-kaart**

DMX-kanaalwaarde	Weergave op het display	Rode waarde	Groene waarde	Blauwe waarde	Gele waarde	Lime waarde
000 ⇄ 005	--	000	000	000	000	000
006 ⇄ 025	<b>2800K</b>	255	199	107	253	255
026 ⇄ 050	<b>3200K</b>	253	247	129	255	255
051 ⇄ 075	<b>3500K</b>	234	255	141	253	255
076 ⇄ 100	<b>4000K</b>	204	255	156	243	255
101 ⇄ 125	<b>4500K</b>	181	248	166	224	255
126 ⇄ 150	<b>5000K</b>	160	255	180	241	255
151 ⇄ 175	<b>5600K</b>	138	255	191	241	255
176 ⇄ 200	<b>6000K</b>	147	255	193	203	255
201 ⇄ 225	<b>6500K</b>	142	251	197	187	255
226 ⇄ 255	--	000	000	000	000	000



Let op: De bovenstaande kleurtemperaturen zijn gesimuleerde weergaven van de geproduceerde kleuropbrengst, in vergelijking met een wolfram-lamp bij de opgegeven kleurtemperatuur. Chauvet geeft geen garantie over de nauwkeurigheid van de kleuropbrengst.

**Menu-map**

Hoofdniveau	Programmeerniveaus	Beschrijving
<b>DMX Address</b>	<b>001-512</b>	Selecteert het start-adres (hoogste kanaal beperkt tot de gekozen persoonlijkheid)

NL

Hoofdniveau	Programmeerniveaus		Beschrijving
DMX Channel	3 Ch		3-kanaal: dimmer, VCW, kleurtemperatuur
	5 Ch		5-kanaal: RGBAL
	7 Ch		7-kanaal: dimmer, RGBAL, stroboscoop
	10 Ch		10-kanaal: 16-bit dimmer, RGBAL, stroboscoop, VCW, kleurtemperatuur
	12 Ch		12-kanaal: dimmer, RGBAL, stroboscoop, VCW, kleurtemperatuur, programma's, snelheid, dimmersnelheidsmodus
	13 Ch		13-kanaal: 16-bit dimmer, 16-bit RGBAL, stroboscoop
	15 Ch		15-kanaal: 16-bit dimmer, 16-bit RGBAL, stroboscoop, VCW, kleurtemperatuur
	HSV		3-kanaal: tint, verzadiging, waarde
Virtual Color Wheel	Virtual Color Wheel	C3050-Md Yellow	<b>Dimmer &lt;000-255&gt;</b> Het virtuele kleurenwiel simuleert de opbrengst van elke gelkleur. Raadpleeg de sectie <a href="#">Kleurenkaart</a> voor specifieke waarden
		C3040-Lt Yellow	
		C3240-Amb Yellow	
		C2340-VLt Amber	
		C2040-Lt Amber	
		C2050-Md Amber	
		C2060-Dk Amber	
		C1050-Lt Red	
		C1080-Md Red	
		C1020-NC Pink	
		C1030-Md Pink	
		C1630-Dk Pink	
		C1250-Md Red Amber	
		C1060-Dk Red Amber	
		C1650-Magenta	
		C6170-Dk Magenta	
		C6020-Lt Lavender	
		C5030-Lt Blue	
		C5020-VLt Blue	
C5430-Lt Blue2			
C5070-Blue			

Hoofdniveau	Programmeerniveaus		Beschrijving	
Virtual Color Wheel	Virtual Color Wheel	C5050-Md Blue	Dimmer <000–255>	Het virtuele kleurenwiel simuleert de opbrengst van elke gelkleur. Raadpleeg de sectie <a href="#">Kleurenkaart</a> voor specifieke waarden
		C5060-Dk Blue		
		C5690- Indigo		
		C5080-VDk Blue		
		C5081-VDk Blue2		
		C4370-Yel Green		
		C4070-Green		
		C4550-Turquoise		
		C4560-Aqua		
		C4570-Blue Green		
	Color Temperature	2800K	<000–255>	Vooringestelde witte kleurtemperaturen. Emuleert een wolfram-lamp bij de opgegeven kleurtemperatuur. Raadpleeg de sectie <a href="#">Kleurtemperatuur-kaart</a> voor specifieke waarden
		3200K		
		3500K		
		4000K		
		4500K		
Manual Color Mixer	Red	<000–255>	Combineert rood, groen, blauw, amber en lime om een aangepaste kleur te genereren (0–100%)	
	Green			
	Blue			
	Amber			
	Lime			
Auto Show	Auto 1–5	<001–100>	Selecteert automatische programma's en automatische programmasnelheid	
Master/ Slave	Master		DMX-modus (Master)	
	Slave		Slave-modus	
Dimmer Mode	Off		Lineaire dimmer	
	Dimmer 1–3		Selecteert dimprofielen van snel ( <b>Dimmer 1</b> ) tot langzaam ( <b>Dimmer 3</b> )	
White Balance	Manual	Off	Gebuikt standaard witte instelling	
		Red	<125–255>	Stelt de maximum waarde van de rode LED in
		Green		Stelt de maximum waarde van de groene LED in
		Blue		Stelt de maximum waarde van de blauwe LED in
		Amber		Stelt de maximum waarde van de amber LED in
Lime	Stelt de maximum waarde van de lime LED in			
LED Frequency	600Hz		Selecteert de PWM-uitgangsfrequentie	
	1200Hz			
	2000Hz			
	4000Hz			
	6000Hz			
	25KHz			
Fan Mode	Auto		Ingesteld de ventilator automatische modus	
	On		Ingesteld de ventilator altijd aan modus	
	Off		Ingesteld de ventilator altijd uit	
	Silent		Ingesteld de ventilator stil	
Back Light	On		De backlight van de display is altijd aan	
	10S		Schakelt de backlight van de display uit na 10s van inactiviteit	
	20S		Schakelt de backlight van de display uit na 20s van inactiviteit	
	30S		Schakelt de backlight van de display uit na 30s van inactiviteit	

NL

Hoofdniveau	Programmeerniveaus		Beschrijving
Information	Fixture Hours	<_ _ _ _ H>	Toont het totale aantal producturen
	Version	<V _ . _>	Toont de geïnstalleerde softwareversie
	UID	<_ _ _ _ _ _ _ _>	Geeft de huidige UID

**DMX-waarden****15 Ch**

Kanaal	Functie	Waarde	Percentage/Instelling
1	Dimmer	000 ⇔ 255	0–100%
2	Fijnedimmer	000 ⇔ 255	0–100%
3	Rood	000 ⇔ 255	0–100%
4	Fijnerood	000 ⇔ 255	0–100%
5	Groen	000 ⇔ 255	0–100%
6	Fijnegroen	000 ⇔ 255	0–100%
7	Blauw	000 ⇔ 255	0–100%
8	Fijneblauw	000 ⇔ 255	0–100%
9	Amber	000 ⇔ 255	0–100%
10	Fijnamber	000 ⇔ 255	0–100%
11	Lime	000 ⇔ 255	0–100%
12	Fijnelime	000 ⇔ 255	0–100%
13	Stroboscoop	000 ⇔ 010 011 ⇔ 255	Geen functie Stroboscoop, langzaam tot snel
14	Virtueel kleurenwiel	000 ⇔ 255	Raadpleeg de sectie <a href="#">Kleurenkaart</a>
15	Kleurtemperatuur	000 ⇔ 255	Raadpleeg de sectie <a href="#">Kleurtemperatuur-kaart</a>

**13 Ch**

Kanaal	Functie	Waarde	Percentage/Instelling
1	Dimmer	000 ⇔ 255	0–100%
2	Fijnedimmer	000 ⇔ 255	0–100%
3	Rood	000 ⇔ 255	0–100%
4	Fijnerood	000 ⇔ 255	0–100%
5	Groen	000 ⇔ 255	0–100%
6	Fijnegroen	000 ⇔ 255	0–100%
7	Blauw	000 ⇔ 255	0–100%
8	Fijneblauw	000 ⇔ 255	0–100%
9	Amber	000 ⇔ 255	0–100%
10	Fijnamber	000 ⇔ 255	0–100%
11	Lime	000 ⇔ 255	0–100%
12	Fijnelime	000 ⇔ 255	0–100%
13	Stroboscoop	000 ⇔ 010 011 ⇔ 255	Geen functie Stroboscoop, langzaam tot snel

**12 Ch**

Kanaal	Functie	Waarde	Percentage/Instelling
1	Dimmer	000 ⇔ 255	0–100%
2	Rood	000 ⇔ 255	0–100%
3	Groen	000 ⇔ 255	0–100%
4	Blauw	000 ⇔ 255	0–100%
5	Amber	000 ⇔ 255	0–100%
6	Lime	000 ⇔ 255	0–100%
7	Stroboscoop	000 ⇔ 010 011 ⇔ 255	Geen functie Stroboscoop, langzaam tot snel
8	Virtueel kleurenwiel	000 ⇔ 255	Raadpleeg de sectie <a href="#">Kleurenkaart</a>
9	Kleurtemperatuur	000 ⇔ 255	Raadpleeg de sectie <a href="#">Kleurtemperatuur-kaart</a>

Kanaal	Functie	Waarde	Percentage/Instelling
10	Automatische programma's	000 ⇔ 010	Geen functie
		011 ⇔ 060	Automatische programma 1
		061 ⇔ 110	Automatische programma 2
		111 ⇔ 160	Automatische programma 3
		161 ⇔ 210	Automatische programma 4
211 ⇔ 255	Automatische programma 5		
11	Programmasnelheid	000 ⇔ 255	Programmasnelheid, langzaam tot snel
12	Dimmersnelheid	000 ⇔ 051	Geen functie
		052 ⇔ 101	Lineaire dimmer
		102 ⇔ 152	Dimcurve 1
		153 ⇔ 203	Dimcurve 2
		204 ⇔ 255	Dimcurve 3

**10 Ch**

Kanaal	Functie	Waarde	Percentage/Instelling
1	Dimmer	000 ⇔ 255	0–100%
2	Fijnedimmer	000 ⇔ 255	0–100%
3	Rood	000 ⇔ 255	0–100%
4	Groen	000 ⇔ 255	0–100%
5	Blauw	000 ⇔ 255	0–100%
6	Amber	000 ⇔ 255	0–100%
7	Lime	000 ⇔ 255	0–100%
8	Stroboscoop	000 ⇔ 010	Geen functie
		011 ⇔ 255	Stroboscoop, langzaam tot snel
9	Virtueel kleurenwiel	000 ⇔ 255	Raadpleeg de sectie <a href="#">Kleurenkaart</a>
10	Kleurtemperatuur	000 ⇔ 255	Raadpleeg de sectie <a href="#">Kleurtemperatuur-kaart</a>

**7 Ch**

Kanaal	Functie	Waarde	Percentage/Instelling
1	Dimmer	000 ⇔ 255	0–100%
2	Rood	000 ⇔ 255	0–100%
3	Groen	000 ⇔ 255	0–100%
4	Blauw	000 ⇔ 255	0–100%
5	Amber	000 ⇔ 255	0–100%
6	Lime	000 ⇔ 255	0–100%
7	Stroboscoop	000 ⇔ 010	Geen functie
		011 ⇔ 255	Stroboscoop, langzaam tot snel

**5 Ch**

Kanaal	Functie	Waarde	Percentage/Instelling
1	Rood	000 ⇔ 255	0–100%
2	Groen	000 ⇔ 255	0–100%
3	Blauw	000 ⇔ 255	0–100%
4	Amber	000 ⇔ 255	0–100%
5	Lime	000 ⇔ 255	0–100%

**3 Ch**

Kanaal	Functie	Waarde	Percentage/Instelling
1	Dimmer	000 ⇔ 255	0–100%
2	Virtueel kleurenwiel	000 ⇔ 255	Raadpleeg de sectie <a href="#">Kleurenkaart</a>
3	Kleurtemperatuur	000 ⇔ 255	Raadpleeg de sectie <a href="#">Kleurtemperatuur-kaart</a>

NL

## HSV

Kanaal	Functie	Waarde	Percentage/Instelling
1	Tint	000 ⇔ 255	0–100%
2	Verzadiging	000 ⇔ 255	0–100%
3	Waarde	000 ⇔ 255	0–100%



## Contact Us

General Information	Technical Support
<b>Chauvet World Headquarters</b>	
Address: 5200 NW 108th Ave. Sunrise, FL 33351 Voice: (954) 577-4455 Fax: (954) 929-5560 Toll Free: (800) 762-1084	Voice: (844) 393-7575 Fax: (954) 756-8015 Email: <a href="mailto:chauvetcs@chauvetlighting.com">chauvetcs@chauvetlighting.com</a> Website: <a href="http://www.chauvetprofessional.com">www.chauvetprofessional.com</a>
<b>Chauvet Europe Ltd</b>	
Address: Unit 1C Brookhill Road Industrial Estate Pinxton, Nottingham, UK NG16 6NT Voice: +44 (0) 1773 511115 Fax: +44 (0) 1773 511110	Email: <a href="mailto:UKtech@chauvetlighting.eu">UKtech@chauvetlighting.eu</a> Website: <a href="http://www.chauvetprofessional.eu">www.chauvetprofessional.eu</a>
<b>Chauvet Europe BVBA</b>	
Address: Stokstraat 18 9770 Kruishoutem Belgium Voice: +32 9 388 93 97	Email: <a href="mailto:BNLtech@chauvetlighting.eu">BNLtech@chauvetlighting.eu</a> Website: <a href="http://www.chauvetprofessional.eu">www.chauvetprofessional.eu</a>
<b>Chauvet France</b>	
Address: 3, Rue Ampère 91380 Chilly-Mazarin France Voice: +33 1 78 85 33 59	Email: <a href="mailto:FRtech@chauvetlighting.fr">FRtech@chauvetlighting.fr</a> Website: <a href="http://www.chauvetprofessional.eu">www.chauvetprofessional.eu</a>
<b>Chauvet Germany</b>	
Address: Bruno-Bürgel-Str. 11 28759 Bremen Germany Voice: +49 421 62 60 20	Email: <a href="mailto:DEtech@chauvetlighting.de">DEtech@chauvetlighting.de</a> Website: <a href="http://www.chauvetprofessional.eu">www.chauvetprofessional.eu</a>
<b>Chauvet Mexico</b>	
Address: Av. de las Partidas 34 - 3B (Entrance by Calle 2) Zona Industrial Lerma Lerma, Edo. de México, CP 52000 Voice: +52 (728) 690-2010	Email: <a href="mailto:servicio@chauvet.com.mx">servicio@chauvet.com.mx</a> Website: <a href="http://www.chauvetprofessional.mx">www.chauvetprofessional.mx</a>

Visit the applicable website above to verify our contact information and instructions to request support. Outside the U.S., United Kingdom, Ireland, Benelux, France, Germany, or Mexico, contact the dealer of record.



UL 1573  
CSA C22.2 No. 166  
E113093



RoHS