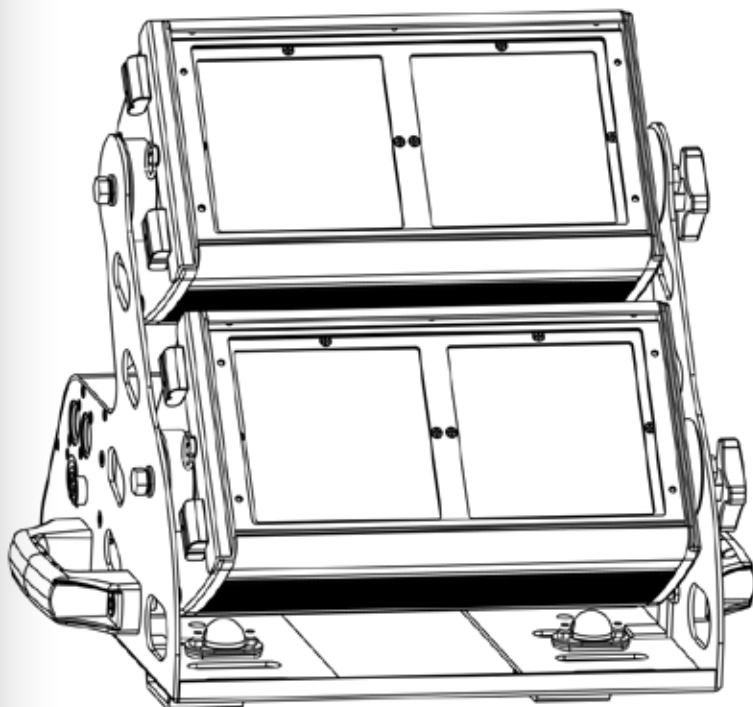


# OVATION™ C-640FC

## Quick Reference Guide

English	EN
Español	ES
Français	FR
Nederlands	NL



  
**CHAUVET**®  
PROFESSIONAL

## About this Guide

The Ovation™ C-640FC Quick Reference Guide (QRG) has basic product information such as connection, mounting, menu options, and DMX values. Download the User Manual from [www.chauvetprofessional.com](http://www.chauvetprofessional.com) for more details.

## Disclaimer

The information and specifications contained in this QRG are subject to change without notice.

## Safety Notes

- DO NOT open this product. It contains no user-serviceable parts.
- DO NOT look at the light source when the product is on.
- To eliminate unnecessary wear and improve its lifespan, during periods of non-use completely disconnect the product from power via breaker or by unplugging it.
- CAUTION: When transferring product from extreme temperature environments, (e.g. cold truck to warm humid ballroom) condensation may form on the internal electronics of the product. To avoid causing a failure, allow product to fully acclimate to the surrounding environment before connecting it to power.
- CAUTION: This product's housing may be hot when lights are operating.
- Mount this product in a location with adequate ventilation, at least 20 in (50 cm) from adjacent surfaces.
- DO NOT leave any flammable material within 50 cm of this product while operating or connected to power.
- USE a safety cable when mounting this product overhead.
- DO NOT operate this product outdoors or in any location where dust, excessive heat, water, or humidity may affect it.
- DO NOT operate this product if the housing, lenses, or cables appear damaged.
- DO NOT connect this product to a dimmer or rheostat.
- ONLY connect this product to a grounded and protected circuit.
- ONLY use the hanging/mounting brackets or the handles to carry this product.
- In the event of a serious operating problem, stop using immediately.
- The maximum ambient temperature is 113 °F (45 °C). Do not operate this product at higher temperatures.

## Contact

Outside the U.S., United Kingdom, Ireland, Mexico, or Benelux, contact your distributor to request support or return a product. Visit [www.chauvetprofessional.com](http://www.chauvetprofessional.com) for contact information.

## What Is Included

- |                                 |  |
|---------------------------------|--|
| • Ovation™ C-640FC              | • 2 Gel Frames 5.32 x 9.65 in (135 x 245 mm) |
| • Neutrik® powerCON® power cord | • Warranty Card                              |
| • 2 Omega Brackets              | • Quick Reference Guide                      |

**AC Power** This product has an auto-ranging power supply that can work with an input voltage range of 100-240 VAC, 50/60 Hz.



**To eliminate unnecessary wear and improve its lifespan, during periods of non-use completely disconnect the product from power via breaker or by unplugging it.**

**Power Linking** You can link up to 9 Ovation™ C-640FC products at 120 VAC or 18 at 230 VAC. Never exceed this number. Power linking cords can be purchased separately.

AC Plug	Connection	Wire (U.S.)	Wire (Europe)	Screw Color
	AC Live	Black	Brown	Yellow/Brass
	AC Neutral	White	Blue	Silver
	AC Ground	Green/Yellow	Green/Yellow	Green

- Replacing the Fuse**
1. Disconnect this product from power.
  2. Using a Phillips #2 head screwdriver, unscrew the fuse holder cap from the housing.
  3. Remove blown fuse and replace with a good fuse of the same type and rating.
  4. Screw the fuse holder cap back in place and reconnect power.

**DMX Linking** The Ovation™ C-640FC will work with a DMX controller using a regular DMX serial connection. A DMX Primer is available from [www.chauvetprofessional.com](http://www.chauvetprofessional.com).

**DMX Connection** The Ovation™ C-640FC uses a regular DMX data connection for its DMX personalities: **TOUR, TR16, ARC.1, AR1.D, ARC.2, ARC.3, AR3.D, AR3.S, PIX1, PIX3, PX16,** and **HSV**. See the User Manual to connect and configure for DMX operation.



**Note: For optimum control of the 16-bit dimming channels in the TR16 personality, be sure that the dimming curve in SET > DIMX is set to OFF.**

**Master/Slave Connection** The Ovation™ C-640FC uses the DMX data connection for its Master/Slave mode. See the User Manual to connect and configure for Master/Slave operation.

## Virtual Color Wheel

The Ovation™ C-640FC includes a new feature called the Virtual Color Wheel (VCW). This feature is available as a stand-alone control mode for manual use and also as a control channel in each of the products DMX personalities. Over thirty pre-mixed colors based on popular gel colors from are available to call up for easier programming. When manually selecting the colors on the Virtual Color Wheel, the referenced gel number appears on the LED display for convenient selection and ease-of-use.

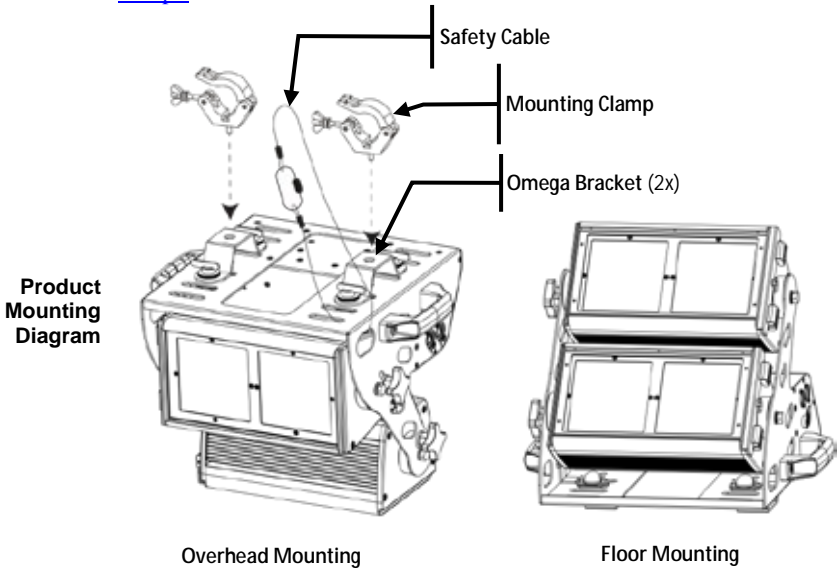
### Color Chart

DMX Channel Value	Display Readout	Red Value	Green Value	Blue Value	White Value	Amber Value
000 ○ 005	--	000	000	000	000	000
006 ○ 013	<b>C90Y</b>	255	250	000	000	255
014 ○ 021	<b>R11</b>	255	213	000	020	255
022 ○ 028	<b>R312</b>	255	216	000	000	190
029 ○ 035	<b>R03</b>	240	129	002	072	255
036 ○ 043	<b>R18</b>	245	108	000	035	255
044 ○ 051	<b>R20</b>	255	109	000	000	255
052 ○ 059	<b>R21</b>	170	039	000	000	255
060 ○ 067	<b>R26</b>	245	002	000	000	031
068 ○ 075	<b>R27</b>	255	000	000	002	000
076 ○ 083	<b>R33</b>	042	000	000	245	234
084 ○ 091	<b>R337</b>	155	064	006	165	255
092 ○ 099	<b>R38</b>	226	154	024	045	255
100 ○ 107	<b>R41</b>	255	008	000	010	150
108 ○ 115	<b>R42</b>	255	006	000	024	055
116 ○ 121	<b>R44</b>	255	041	010	130	000
122 ○ 130	<b>R349</b>	255	027	024	000	000
131 ○ 138	<b>R54</b>	173	226	042	080	255
139 ○ 146	<b>R64</b>	000	255	062	099	215
147 ○ 154	<b>R364</b>	000	185	039	255	205
155 ○ 162	<b>R65</b>	000	239	062	205	000
163 ○ 170	<b>R80</b>	000	249	205	011	000
171 ○ 178	<b>R81</b>	000	248	117	108	000
179 ○ 186	<b>R82</b>	000	239	062	205	000
187 ○ 194	<b>R382</b>	020	000	255	000	000
195 ○ 202	<b>R83</b>	000	144	255	000	000
203 ○ 210	<b>R383</b>	000	034	255	031	000
211 ○ 218	<b>R91</b>	000	255	000	084	035
219 ○ 226	<b>R92</b>	043	255	003	255	055
227 ○ 234	<b>R93</b>	063	255	015	125	000
235 ○ 242	<b>R393</b>	000	255	022	070	000
243 ○ 250	<b>R90</b>	005	255	000	000	015
251 ○ 255	--	000	000	000	000	000



**Note:** The colors above are simulated renditions of the color output produced as compared to other similar incandescent products. Chauvet makes no guarantee of the color output accuracy.

**Mounting** Before mounting this product, read the [Safety Notes](#). Make sure the mounting clamp is capable of supporting the weight of the product. For our Chauvet line of mounting clamps, go to [trusst.com/productcategory/base-plates-accessories-clamps/](http://trusst.com/productcategory/base-plates-accessories-clamps/).



**Control Panel Description**

Button	Function
<MENU>	Exits from the current menu or function
<ENTER>	Enables the currently displayed menu or sets the currently selected value into the selected function
<UP>	Navigates upwards through the menu list and increases the numeric value when in a function
<DOWN>	Navigates downwards through the menu list and decreases the numeric value when in a function

**Passcode** After being prompted, enter the following passcode by pressing:  
 <UP>, <DOWN>, <UP>, <DOWN>, <ENTER>  
 This passcode cannot be changed and must be used whenever prompted.

## Menu Options

Main Level	Programming Levels		Description
STAT	RED	X.000–X.255	Combines red, green, blue, white, and amber to make a custom color (0–100%)
	GREN		
	BLUE		
	WHIT		
	AMBR		
	STRB	S.000–S.020	Selects the strobe frequency (0–20 Hz)
VCW	C90Y		Virtual Color Wheel simulates the output of each gel color from . Refer to the <a href="#">Color Chart</a> section for specific values.
	R11		
	R312		
	R03		
	R18		
	R20		
	R21		
	R26		
	R27		
	R33		
	R337		
	R38		
	R41		
	R42		
	R44		
	R349		
	R54		
	R64		
	R364		
	R65		
	R80		
	R81		
	R82		
	R382		
	R83		
	R383		
R91			
R92			
R93			
R393			
R90			

## Menu Options (cont.)

Main Level	Programming Levels		Description		
AUTO	AT.01–AT.10	P.000–P.255	Selects automatic programs and auto program speed		
	PR.01–PR.10		Selects customizable programs		
RUN	DMX		Receives DMX signals from the DMX controller		
	SLAV		Receives DMX signals from the master		
ADDR	D.001–D.512		Sets the DMX starting address		
PERS	TOUR		12-channel: RGBWA, VCW, dimmer, strobe, color macro, auto/custom, dimmer speed, auto speed		
	TR16		18-channel: 16-bit- RGBWA, dimmer, VCW, strobe, color macro, auto/custom, dimmer speed, auto speed		
	ARC.1		4-channel: RGB control, VCW		
	AR1.D		5-channel: RGB, dimmer, VCW		
	ARC.2		5-channel: RGBW control, VCW		
	ARC.3		6-channel: RGBWA control, VCW		
	AR3.D		7-channel: RGBWA, dimmer, VCW		
	AR3.S		8-channel: RGBWA, dimmer, strobe, VCW		
	HSV		3-channel: HSV control		
	PIX1		8-channel: RGB pixel control, VCW		
	PIX3		12-channel: RGBWA pixel control, VCW		
	PX16		24-channel: 16-bit- RGBWA pixel control, dimmer, VCW		
EDIT	PR.01–PR.10	SC.01–SC.30	RED	X.000–X.255	Combines red, green, blue, white, and amber to generate a custom color (0–100%)
			GREN		
			BLUE		
			WHIT		
		AMBE			
		STRB	S.000–S.020	Selects the strobe frequency (0–20 Hz)	
		TIME	T.000–T.255	Defines the step duration (slow to fast)	
		FADE	F.000–F.255	Defines the fade duration (slow to fast)	

### Menu Options (cont.)

Main Level	Programming Levels				Description	
SET	KEY	ON			Sets to key lock (Passcode mode)	
		OFF				
	UPLD	***** (Enter Passcode)	SEND	OK	Uploads custom programs to other Ovation™ C-640FCs	
	REST	***** (Enter Passcode)	SEND	OK	Resets the fixture to factory defaults	
	COLR	OFF			RGB set to <b>255</b> = max. output	
		RGBW			RGB set to <b>255</b> = balanced white	
		UC.			Universal color balance	
	DIMX	OFF			Selects dimming profiles from fast ( <b>DIM1</b> ) to slow ( <b>DIM4</b> ) or <b>OFF</b>	
		DIM1				
		DIM2				
		DIM3				
	DERR	SAVE			Continues with last command upon loss of DMX control	
		BLAK			Blacks out fixture upon loss of DMX	
SLCK	OFF			Sets main level access lock		
	ON					
STRB	SPEC			Selects the strobe behavior displayed in <b>TOUR</b> and <b>TR16</b> personalities		
	CLAS					
MCON	SELF			No DMX signals are sent through DMX output		
	MAST			Sends DMX signals to Ovation™ C-640FC slaves		
CAL	***** (Enter Passcode)	CAL1	WH.01– WH.11	RED	X.000– X.255	Modifies the color macros used in the <b>TOUR</b> and <b>TR16</b> personalities
				GREN		
				BLUE		
				WHIT		
		AMBE				
CAL2	RED	Defines the color temperature used when <b>COLR</b> is set to <b>RGBW</b>				
	GREN					
	BLUE					
CALR	***** (Enter Passcode)	Defaults <b>CAL</b> to factory settings				



## DMX Values

TOUR	Channel	Function	Value	Percent/Setting
	1	Dimmer	000 ○ 255	0–100%
	2	Red	000 ○ 255	0–100% ( <b>Step Duration</b> if <b>Custom 1–10</b> active)
	3	Green	000 ○ 255	0–100% ( <b>Fade Duration</b> if <b>Custom 1–10</b> active)
	4	Blue	000 ○ 255	0–100%
	5	White	000 ○ 255	0–100%
	6	Amber	000 ○ 255	0–100%
	7	Virtual Color Wheel	000 ○ 255	Refer to the <a href="#">Color Chart</a> section for specific values
	8	Color Macro + White Balance	000 ○ 010	No function
			011 ○ 030	R: 100%    G: 0–100%    B: 0
			031 ○ 050	R: 100%-0    G: 100%    B: 0
			051 ○ 070	R: 0    G: 100%    B: 0–100%
			071 ○ 090	R: 0    G: 100%-0    B: 100%
			091 ○ 110	R: 0–100%    G: 0    B: 100%
			111 ○ 130	R: 100%    G: 0    B: 100%-0
			131 ○ 150	R: 100%    G: 0–100%    B: 0–100%
			151 ○ 170	R: 100%-0    G: 100%-0    B: 100%
			171 ○ 200	RGBWA: 100%
			201 ○ 205	White 1
			206 ○ 210	White 2
			211 ○ 215	White 3
			216 ○ 220	White 4
			221 ○ 225	White 5
			226 ○ 230	White 6
			231 ○ 235	White 7
	236 ○ 240	White 8		
	241 ○ 245	White 9		
	246 ○ 250	White 10		
	251 ○ 255	White 11		

**DMX Values (cont.)**

<b>TOUR (cont.)</b>	<b>Channel</b>	<b>Function</b>	<b>Value</b>	<b>Percent/Setting</b>
9	<b>Special Strobe</b>		000 ◊ 009	No function
			010 ◊ 099	Slow to fast
			100 ◊ 109	No function
			110 ◊ 179	Lighting effect, slow to fast
			180 ◊ 189	No function
			190 ◊ 255	Random
	<b>Classic Strobe</b>		000 ◊ 009	No function
			010 ◊ 019	1 Hz
			020 ◊ 029	2 Hz
			030 ◊ 039	3 Hz
			040 ◊ 049	4 Hz
			050 ◊ 059	5 Hz
			060 ◊ 069	6 Hz
			070 ◊ 079	7 Hz
			080 ◊ 089	8 Hz
			090 ◊ 099	9 Hz
			100 ◊ 109	10 Hz
			110 ◊ 119	11 Hz
			120 ◊ 129	12 Hz
			130 ◊ 139	13 Hz
	140 ◊ 149	14 Hz		
	150 ◊ 159	15 Hz		
	160 ◊ 169	16 Hz		
	170 ◊ 179	17 Hz		
	180 ◊ 189	18 Hz		
	190 ◊ 199	19 Hz		
	200 ◊ 255	20 Hz		
10	<b>Programs</b>		000 ◊ 040	No function
			041 ◊ 050	Auto 1
			051 ◊ 060	Auto 2
			061 ◊ 070	Auto 3
			071 ◊ 080	Auto 4
			081 ◊ 090	Auto 5
			091 ◊ 100	Auto 6
			101 ◊ 110	Auto 7
			111 ◊ 120	Auto 8
			121 ◊ 130	Auto 9
			131 ◊ 140	Auto 10
			141 ◊ 150	Custom 1
			151 ◊ 160	Custom 2
			161 ◊ 170	Custom 3
			171 ◊ 180	Custom 4
			181 ◊ 190	Custom 5
			191 ◊ 200	Custom 6
			201 ◊ 210	Custom 7
	211 ◊ 220	Custom 8		
	221 ◊ 230	Custom 9		
	231 ◊ 255	Custom 10		
11	<b>Auto Speed</b>		000 ◊ 255	0–100%
12	<b>Dimmer Speed</b>		000 ◊ 009	Preset dimmer speed from display menu
			010 ◊ 029	Linear dimmer
			030 ◊ 069	Nonlinear dimming curve 1 (fastest)
			070 ◊ 129	Nonlinear dimming curve 2
			130 ◊ 189	Nonlinear dimming curve 3
			190 ◊ 255	Nonlinear dimming curve 4 (slowest)

\*Select strobe function in the main menu under **SET > STRB**, select **SPEC** or **CLAS**

## DMX Values (cont.)

TR16	Channel	Function	Value	Percent/Setting
	1	Dimmer	000 ○ 255	0–100%
	2	Fine Dimmer	000 ○ 255	0–100%
	3	Red	000 ○ 255	0–100%
	4	Fine Red	000 ○ 255	0–100%
	5	Green	000 ○ 255	0–100%
	6	Fine Green	000 ○ 255	0–100%
	7	Blue	000 ○ 255	0–100%
	8	Fine Blue	000 ○ 255	0–100%
	9	White	000 ○ 255	0–100%
	10	Fine White	000 ○ 255	0–100%
	11	Amber	000 ○ 255	0–100%
	12	Fine Amber	000 ○ 255	0–100%
	13	Virtual Color Wheel	000 ○ 255	Refer to the <a href="#">Color Chart</a> section for specific values
	14	Color Macro + White Balance	000 ○ 010 011 ○ 030 031 ○ 050 051 ○ 070 071 ○ 090 091 ○ 110 111 ○ 130 131 ○ 150 151 ○ 170 171 ○ 200 201 ○ 205 206 ○ 210 211 ○ 215 216 ○ 220 221 ○ 225 226 ○ 230 231 ○ 235 236 ○ 240 241 ○ 245 246 ○ 250 251 ○ 255	No function R: 100%    G: 0–100%    B: 0 R: 100%-0    G: 100%    B: 0 R: 0    G: 100%    B: 0–100% R: 0    G: 100%-0    B: 100% R: 0–100%    G: 0    B: 100% R: 100%    G: 0    B: 100%-0 R: 100%    G: 0–100%    B: 0–100% R: 100%-0    G: 100%-0    B: 100% RGBWA: 100% White 1 White 2 White 3 White 4 White 5 White 6 White 7 White 8 White 9 White 10 White 11

**DMX Values (cont.)**

TR16 (cont.)	Channel	Function	Value	Percent/Setting
15	Special Strobe	000 ∘ 009	No function	*Select strobe function in the main menu under <b>SET &gt; STRB</b> , select <b>SPEC</b> or <b>CLAS</b>
		010 ∘ 099	Slow to fast	
		100 ∘ 109	No function	
		110 ∘ 179	Lighting effect, slow to fast	
		180 ∘ 189	No function	
		190 ∘ 255	Random	
	Classic Strobe	000 ∘ 009	No function	
		010 ∘ 019	1 Hz	
		020 ∘ 029	2 Hz	
		030 ∘ 039	3 Hz	
		040 ∘ 049	4 Hz	
		050 ∘ 059	5 Hz	
		060 ∘ 069	6 Hz	
		070 ∘ 079	7 Hz	
		080 ∘ 089	8 Hz	
		090 ∘ 099	9 Hz	
		100 ∘ 109	10 Hz	
		110 ∘ 119	11 Hz	
		120 ∘ 129	12 Hz	
		130 ∘ 139	13 Hz	
140 ∘ 149	14 Hz			
150 ∘ 159	15 Hz			
160 ∘ 169	16 Hz			
170 ∘ 179	17 Hz			
180 ∘ 189	18 Hz			
190 ∘ 199	19 Hz			
200 ∘ 255	20 Hz			
16	Programs	000 ∘ 040	No function	
		041 ∘ 050	Auto 1	
		051 ∘ 060	Auto 2	
		061 ∘ 070	Auto 3	
		071 ∘ 080	Auto 4	
		081 ∘ 090	Auto 5	
		091 ∘ 100	Auto 6	
		101 ∘ 110	Auto 7	
		111 ∘ 120	Auto 8	
		121 ∘ 130	Auto 9	
		131 ∘ 140	Auto 10	
		141 ∘ 150	Custom 1	
		151 ∘ 160	Custom 2	
		161 ∘ 170	Custom 3	
		171 ∘ 180	Custom 4	
		181 ∘ 190	Custom 5	
191 ∘ 200	Custom 6			
201 ∘ 210	Custom 7			
211 ∘ 220	Custom 8			
221 ∘ 230	Custom 9			
231 ∘ 255	Custom 10			

## DMX Values (cont.)

TR16 (cont.)	Channel	Function	Value	Percent/Setting
	17	Auto Speed	000 ∘ 255	0–100%
	18	Dimmer Speed	000 ∘ 009 010 ∘ 029 030 ∘ 069 070 ∘ 129 130 ∘ 189 190 ∘ 255	Preset dimmer speed from display menu Linear dimmer Nonlinear dimming curve 1 (fastest) Nonlinear dimming curve 2 Nonlinear dimming curve 3 Nonlinear dimming curve 4 (slowest)

ARC.1	Channel	Function	Value	Percent/Setting
	1	Red	000 ∘ 255	0–100%
	2	Green	000 ∘ 255	0–100%
	3	Blue	000 ∘ 255	0–100%
	4	Virtual Color Wheel	000 ∘ 255	Refer to the <a href="#">Color Chart</a> section for specific values

AR1.D	Channel	Function	Value	Percent/Setting
	1	Dimmer	000 ∘ 255	0–100%
	2	Red	000 ∘ 255	0–100%
	3	Green	000 ∘ 255	0–100%
	4	Blue	000 ∘ 255	0–100%
	5	Virtual Color Wheel	000 ∘ 255	Refer to the <a href="#">Color Chart</a> section for specific values

PIX3	Channel	Function	Value	Percent/Setting
	1	Pixel 1 Red	000 ∘ 255	0–100%
	2	Pixel 1 Green	000 ∘ 255	0–100%
	3	Pixel 1 Blue	000 ∘ 255	0–100%
	4	Pixel 1 White	000 ∘ 255	0–100%
	5	Pixel 1 Amber	000 ∘ 255	0–100%
	6	Pixel 1 Virtual Color Wheel	000 ∘ 255	Refer to the <a href="#">Color Chart</a> section for specific values
	7	Pixel 2 Red	000 ∘ 255	0–100%
	8	Pixel 2 Green	000 ∘ 255	0–100%
	9	Pixel 2 Blue	000 ∘ 255	0–100%
	10	Pixel 2 White	000 ∘ 255	0–100%
	11	Pixel 2 Amber	000 ∘ 255	0–100%
	12	Pixel 2 Virtual Color Wheel	000 ∘ 255	Refer to the <a href="#">Color Chart</a> section for specific values

**DMX Values (cont.)**

<b>ARC.2</b>	<b>Channel</b>	<b>Function</b>	<b>Value</b>	<b>Percent/Setting</b>
	1	Red	000 ○ 255	0–100%
	2	Green	000 ○ 255	0–100%
	3	Blue	000 ○ 255	0–100%
	4	White	000 ○ 255	0–100%
	5	Virtual Color Wheel	000 ○ 255	Refer to the <a href="#">Color Chart</a> section for specific values

<b>ARC.3</b>	<b>Channel</b>	<b>Function</b>	<b>Value</b>	<b>Percent/Setting</b>
	1	Red	000 ○ 255	0–100%
	2	Green	000 ○ 255	0–100%
	3	Blue	000 ○ 255	0–100%
	4	White	000 ○ 255	0–100%
	5	Amber	000 ○ 255	0–100%
	6	Virtual Color Wheel	000 ○ 255	Refer to the <a href="#">Color Chart</a> section for specific values

<b>AR3.D</b>	<b>Channel</b>	<b>Function</b>	<b>Value</b>	<b>Percent/Setting</b>
	1	Dimmer	000 ○ 255	0–100%
	2	Red	000 ○ 255	0–100%
	3	Green	000 ○ 255	0–100%
	4	Blue	000 ○ 255	0–100%
	5	White	000 ○ 255	0–100%
	6	Amber	000 ○ 255	0–100%
	7	Virtual Color Wheel	000 ○ 255	Refer to the <a href="#">Color Chart</a> section for specific values

## DMX Values (cont.)

AR3.S	Channel	Function	Value	Percent/Setting
	1	Dimmer	000 ◊ 255	0–100%
	2	Red	000 ◊ 255	0–100%
	3	Green	000 ◊ 255	0–100%
	4	Blue	000 ◊ 255	0–100%
	5	White	000 ◊ 255	0–100%
	6	Amber	000 ◊ 255	0–100%
	7	Virtual Color Wheel	000 ◊ 255	Refer to the <a href="#">Color Chart</a> section for specific values
	8	Classic Strobe	000 ◊ 009	No function
			010 ◊ 019	1 Hz
			020 ◊ 029	2 Hz
			030 ◊ 039	3 Hz
			040 ◊ 049	4 Hz
			050 ◊ 059	5 Hz
			060 ◊ 069	6 Hz
			070 ◊ 079	7 Hz
			080 ◊ 089	8 Hz
			090 ◊ 099	9 Hz
			100 ◊ 109	10 Hz
			110 ◊ 119	11 Hz
			120 ◊ 129	12 Hz
			130 ◊ 139	13 Hz
			140 ◊ 149	14 Hz
			150 ◊ 159	15 Hz
			160 ◊ 169	16 Hz
	170 ◊ 179	17 Hz		
	180 ◊ 189	18 Hz		
	190 ◊ 199	19 Hz		
	200 ◊ 255	20 Hz		

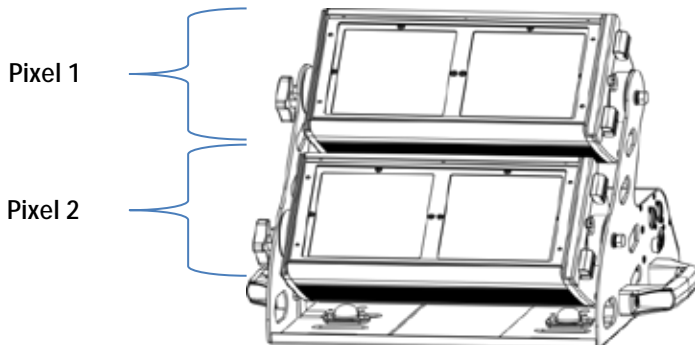
PIX1	Channel	Function	Value	Percent/Setting
	1	Pixel 1 Red	000 ◊ 255	0–100%
	2	Pixel 1 Green	000 ◊ 255	0–100%
	3	Pixel 1 Blue	000 ◊ 255	0–100%
	4	Pixel 1 Virtual Color Wheel	000 ◊ 255	Refer to the <a href="#">Color Chart</a> section for specific values
	5	Pixel 2 Red	000 ◊ 255	0–100%
	6	Pixel 2 Green	000 ◊ 255	0–100%
	7	Pixel 2 Blue	000 ◊ 255	0–100%
	8	Pixel 2 Virtual Color Wheel	000 ◊ 255	Refer to the <a href="#">Color Chart</a> section for specific values

**DMX Values (cont.)**

HSV	Channel	Function	Value	Percent/Setting
	1	Hue	000 ∘ 255	0–100%
	2	Saturation	000 ∘ 255	0–100%
	3	Value	000 ∘ 255	0–100%

PX16	Channel	Function	Value	Percent/Setting
	1	Dimmer	000 ∘ 255	0–100%
	2	Fine Dimmer	000 ∘ 255	0–100%
	3	Pixel 1 Red	000 ∘ 255	0–100%
	4	Pixel 1 Fine Red	000 ∘ 255	0–100%
	5	Pixel 1 Green	000 ∘ 255	0–100%
	6	Pixel 1 Fine Green	000 ∘ 255	0–100%
	7	Pixel 1 Blue	000 ∘ 255	0–100%
	8	Pixel 1 Fine Blue	000 ∘ 255	0–100%
	9	Pixel 1 White	000 ∘ 255	0–100%
	10	Pixel 1 Fine White	000 ∘ 255	0–100%
	11	Pixel 1 Amber	000 ∘ 255	0–100%
	12	Pixel 1 Fine Amber	000 ∘ 255	0–100%
	13	Pixel 1 Virtual Color Wheel	000 ∘ 255	Refer to the <a href="#">Color Chart</a> section for specific values
	14	Pixel 2 Red	000 ∘ 255	0–100%
	15	Pixel 2 Fine Red	000 ∘ 255	0–100%
	16	Pixel 2 Green	000 ∘ 255	0–100%
	17	Pixel 2 Fine Green	000 ∘ 255	0–100%
	18	Pixel 2 Blue	000 ∘ 255	0–100%
	19	Pixel 2 Fine Blue	000 ∘ 255	0–100%
	20	Pixel 2 White	000 ∘ 255	0–100%
	21	Pixel 2 Fine White	000 ∘ 255	0–100%
	22	Pixel 2 Amber	000 ∘ 255	0–100%
	23	Pixel 2 Fine Amber	000 ∘ 255	0–100%
	24	Pixel 2 Virtual Color Wheel	000 ∘ 255	Refer to the <a href="#">Color Chart</a> section for specific values

**Ovation™ C-640FC Sections for DMX Pixel Control**





## Acerca de Esta Guía

La Guía de Referencia Rápida (GRR) del Ovation™ C-640FC contiene información básica sobre el producto, como montaje, opciones de menú y valores DMX. Descargue el manual de usuario de [www.chauvetprofessional.com](http://www.chauvetprofessional.com) para información más detallada.

## Exención de Responsabilidad

La información y especificaciones contenidas en esta GRR están sujetas a cambio sin previo aviso.

## Notas de Seguridad

- NO abra este producto. No contiene piezas reparables por el usuario.
- NO mire a la fuente de luz cuando el producto esté encendido.
- Para evitar un desgaste innecesario y alargar su vida útil, desconecte completamente el producto de la alimentación, mediante el interruptor o desenchufándolo, durante los periodos en los que no se use.
- Cuidado: cuando transfiera el producto desde ambientes con temperatura extrema (p. ej., del remolque frío de un camión a una sala de baile con calor y humedad), puede formarse condensación en la electrónica interna del producto. Para evitar que se produzca una avería, deje que el producto se aclimate completamente al ambiente antes de conectar la alimentación.
- ¡CUIDADO! La carcasa de este producto está caliente cuando las luces están en funcionamiento.
- Monte este producto en una ubicación con ventilación adecuada, al menos a 20" (50 cm) de superficies adyacentes.
- NO deje ningún material inflamable a menos de 50 cm de este producto mientras esté funcionando o conectado a la alimentación.
- USE un cable de seguridad cuando monte este producto en lo alto.
- NO ponga en funcionamiento este producto en el exterior o en cualquier ubicación en la que el polvo, calor excesivo, agua o humedad puedan afectarlo.
- NO ponga en funcionamiento este producto si sospecha que la carcasa, lentes o cables están dañados.
- NO conecte este producto a un atenuador o reostato.
- Conecte este producto SOLO a un circuito con toma de tierra y protegido.
- Use SOLAMENTE los soportes de colgar/montar o las asas para mover este producto.
- En caso de un problema grave de funcionamiento, deje de usarlo inmediatamente.
- La máxima temperatura ambiente es de 113 °F (45 °C). No haga funcionar este producto a temperaturas más altas.

## Contacto

Fuera de EE.UU, Reino Unido, Irlanda, México o Benelux, póngase en contacto con su distribuidor para solicitar asistencia o devolver el producto. Visite [www.chauvetprofessional.com](http://www.chauvetprofessional.com) para información de contacto.

- Qué va Incluido**
- Ovation™ C-640FC
  - Cable de Alimentación Neutrik® powerCON®
  - 2 Soportes Omega
  - 2 Marcos de Gel accesorios
  - 5,32 x 9,65 " (135 x 245 mm)
  - Tarjeta de Garantía
  - Guía de Referencia Rápida

**Corriente Alterna** Este producto tiene una fuente de alimentación con detección automática que puede funcionar con un rango de tensión de entrada de 100–240 VCA, 50/60 Hz.



**Para evitar un desgaste innecesario y alargar su vida útil, desconecte completamente el producto de la alimentación, mediante el interruptor o desenchufándolo, durante los periodos en los que no se use.**

**Alimentación en Cadena** Puede enlazar hasta 9 productos Ovation™ C-640FC a 120 V, o 18 productos a 230 V. Los cables de alimentación en cadena se pueden adquirir por separado.

#### Enchufe CA

Conexión	Cable (EE.UU)	Cable (Europa)	Color del Tornillo
CA Cargado	Negro	Marrón	Amarillo/Bronce
CA Neutro	Blanco	Azul	Plata
CA Tierra	Verde/Amarillo	Verde/Amarillo	Verde

#### Sustitución del Fusible

1. Desconecte el producto de la toma de corriente.
2. Con un destornillador de estrella N°2 desatornille la tapa del portafusibles.
3. Quite el fusible fundido del portafusibles y sustitúyalo con otro del mismo tipo y categoría.
4. Vuelva a atornillar la tapa del portafusibles en su sitio y conecte de nuevo la alimentación.

#### Enlace DMX

El Ovation™ C-640FC funcionará con un controlador DMX usando una conexión serie DMX normal. Hay un Manual DMX disponible en [www.chauvetprofessional.com](http://www.chauvetprofessional.com).

#### Conexión DMX

El Ovation™ C-640FC usa una conexión de datos DMX normal para sus personalidades DMX: **TOUR, TR16, ARC.1, AR1.D, ARC.2, ARC.3, AR3.D, AR3.S, PIX1, PIX3, PX16, y HSV**. Vea el Manual de usuario para conectar y configurar para funcionamiento DMX



**Nota: Para un control óptimo de los canales de atenuación de 16 bits en la personalidad TR16, asegúrese de que ambas curvas de atenuación en SET > DIMX están configuradas en OFF.**

#### Conexión Maestro/Esclavo

El Ovation™ C-640FC usa la conexión de datos DMX para su modo Maestro/Esclavo. Vea el Manual de usuario para conectar y configurar para funcionamiento Maestro/Esclavo.

## Rueda de Color Virtual (VCW)

El Ovation™ C-640FC cuenta con una nueva característica llamada Rueda de Color Virtual (VCW). Esta característica está disponible como modo de control independiente para uso manual y también como canal de control en cada una de las personalidades DMX del dispositivo. Más una treintena de colores premezclados basados en los colores de gel más populares de están disponibles para su utilización, facilitando la programación. Cuando seleccione los colores manualmente en la Rueda de Color Virtual, el número de gel correspondiente aparecerá en la pantalla LED para una selección más cómoda y facilidad de uso.

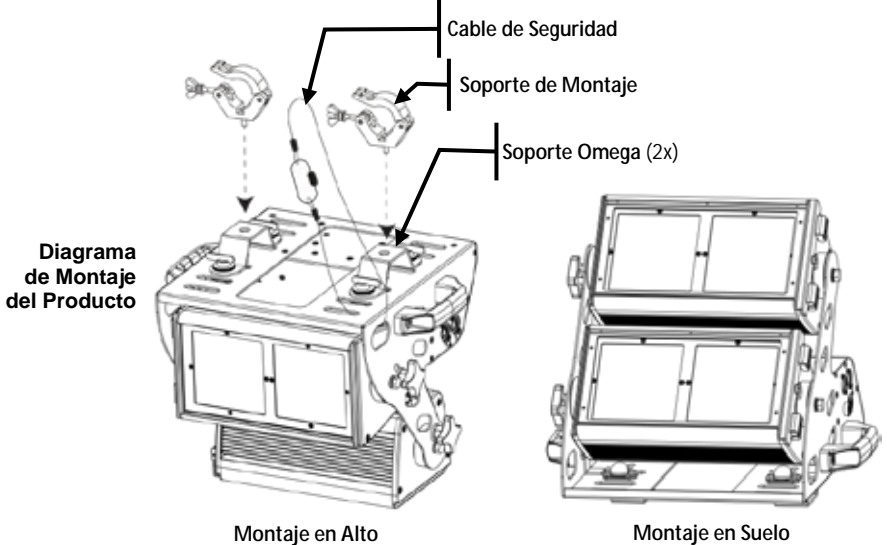
## Tabla de Colores

Valor del Canal DMX	Lectura en Pantalla	Valor Rojo	Valor Verde	Valor Azul	Valor Blanco	Valor Ámbar
000 ó 005	--	000	000	000	000	000
006 ó 013	<b>C90Y</b>	255	250	000	000	255
014 ó 021	<b>R11</b>	255	213	000	020	255
022 ó 028	<b>R312</b>	255	216	000	000	190
029 ó 035	<b>R03</b>	240	129	002	072	255
036 ó 043	<b>R18</b>	245	108	000	035	255
044 ó 051	<b>R20</b>	255	109	000	000	255
052 ó 059	<b>R21</b>	170	039	000	000	255
060 ó 067	<b>R26</b>	245	002	000	000	031
068 ó 075	<b>R27</b>	255	000	000	002	000
076 ó 083	<b>R33</b>	042	000	000	245	234
084 ó 091	<b>R337</b>	155	064	006	165	255
092 ó 099	<b>R38</b>	226	154	024	045	255
100 ó 107	<b>R41</b>	255	008	000	010	150
108 ó 115	<b>R42</b>	255	006	000	024	055
116 ó 121	<b>R44</b>	255	041	010	130	000
122 ó 130	<b>R349</b>	255	027	024	000	000
131 ó 138	<b>R54</b>	173	226	042	080	255
139 ó 146	<b>R64</b>	000	255	062	099	215
147 ó 154	<b>R364</b>	000	185	039	255	205
155 ó 162	<b>R65</b>	000	239	062	205	000
163 ó 170	<b>R80</b>	000	249	205	011	000
171 ó 178	<b>R81</b>	000	248	117	108	000
179 ó 186	<b>R82</b>	000	239	062	205	000
187 ó 194	<b>R382</b>	020	000	255	000	000
195 ó 202	<b>R83</b>	000	144	255	000	000
203 ó 210	<b>R383</b>	000	034	255	031	000
211 ó 218	<b>R91</b>	000	255	000	084	035
219 ó 226	<b>R92</b>	043	255	003	255	055
227 ó 234	<b>R93</b>	063	255	015	125	000
235 ó 242	<b>R393</b>	000	255	022	070	000
243 ó 250	<b>R90</b>	005	255	000	000	015
251 ó 255	--	000	000	000	000	000



**Nota:** Los colores listados son interpretaciones simuladas de la emisión de color generada en comparación con otros productos incandescentes similares. Chauvet no garantiza la exactitud del color emitido.

**Montaje** Antes de montar este producto, lea las [Notas de seguridad](#). Asegúrese de que las abrazaderas de montaje son capaces de soportar el peso del producto. Para nuestra línea Chauvet de abrazaderas de montaje, visite [trusst.com/productcategory/base-plates-accessories-clamps/](http://trusst.com/productcategory/base-plates-accessories-clamps/).



**Descripción del Panel de Control**

Botón	Función
<MENU>	Salir del menú o función actual
<ENTER>	Habilita el menú actualmente en pantalla o configura el valor seleccionado actualmente dentro de la función seleccionada
<UP>	Navega hacia arriba por la lista de menú y aumenta el valor numérico cuando está en una función
<DOWN>	Navega hacia abajo por la lista de menú y disminuye el valor numérico cuando está en una función

**Código de acceso** Después de que se le solicite, introduzca el siguiente código de acceso pulsando: <UP>, <DOWN>, <UP>, <DOWN>, <ENTER>  
Este código no se puede cambiar y se debe usar cuando se le solicite.

## Opciones de Menú

Nivel Principal	Niveles de Programación		Descripción
STAT	RED	X.000–X.255	Combina rojo, verde, azul, blanco y ámbar para formar un color personalizado (0–100%)
	GREN		
	BLUE		
	WHIT		
	AMBR		
	STRB	S.000–S.020	Selecciona la frecuencia de estroboscopio (0–20 Hz)
VCW	C90Y		Rueda de Color Virtual (VCW) simula la emisión de cada gel de color de . Consulte la sección <a href="#">Tabla de Colores</a> para ver los valores específicos.
	R11		
	R321		
	R03		
	R18		
	R20		
	R21		
	R26		
	R27		
	R33		
	R337		
	R38		
	R41		
	R42		
	R44		
	R349		
	R54		
	R64		
	R364		
	R65		
	R80		
	R81		
	R82		
	R382		
R83			
R383			
R91			
R92			
R93			
R393			
R90			

## Opciones de Menú (cont.)

Nivel Principal	Niveles de Programación		Descripción		
AUTO	AT.01–AT.10	P.000–255	Selecciona programas automáticos y velocidad de programas automáticos		
	PR.01–PR.10		Selecciona programas personalizables		
RUN	DMX		Recibe señales DMX del controlador DMX		
	SLAV		Recibe señales del maestro		
ADDR	D.001–D.512		Selecciona la dirección DMX de inicio		
PERS	TOUR		12 canales: RVABÁ, VCW, atenuador, estroboscopio, macro de color, auto/personalizado, velocidad atenuador, velocidad automática		
	TR16		18 canales: 16-bit- RVABA VCW, atenuador, estroboscopio, macro de color, auto/personalizado, velocidad atenuador, velocidad automática		
	ARC.1		4 canales: control RVA, VCW		
	AR1.D		5 canales: RVA, atenuador, VCW		
	ARC.2		5 canales: control RVAB, VCW		
	ARC.3		6 canales: control RVABÁ, VCW		
	AR3.D		7 canales: RVABÁ, atenuador, VCW		
	AR3.S		8 canales: RVABÁ, atenuador, estroboscópio, VCW		
	HSV		3 canales: control HSV		
	PIX1		8 canales: control de píxel RVA, VCW		
	PIX3		12 canales: control de píxel RVABÁ, VCW		
PX16		24 canales: 16-bit- control de píxel RVABÁ, atenuador, VCW			
EDIT	PR.01–PR.10	SC.01–SC.30	RED	X.000–X.255	Combina rojo, verde, azul, blanco y ámbar para generar un color personalizado (0–100%)
			GREN		
			BLUE		
			WHIT		
		AMBE			
		STRB	S.000–S.020	Selecciona la frecuencia de estroboscopio (0–20 Hz)	
		TIME	T.000–T.255	Define la duración del paso (lento a rápido)	
FADE	F.000–F.255	Define la duración del fado (lento a rápido)			

## Opciones de Menú (cont.)

Nivel Principal	Niveles de Programación				Descripción	
SET	KEY	ON			Activa o desactiva la contraseña	
		OFF				
	UPLD	***** (Introducir Código de Acceso)	SEND	OK	Carga programas personalizados a otros productos Ovation™ C-640FC	
		***** (Introducir Código de Acceso)	SEND	OK	Restablece en el producto los valores de fábrica	
	COLR	OFF			RGB establecido en <b>255</b> = máx. potencia	
		RGBW			RGB establecido en <b>255</b> = equilibrio de blancos	
		UC.			Equilibrio de color Universal	
	DIMX	OFF			Curvas de atenuador rápido ( <b>DIM1</b> ) a lento ( <b>DIM4</b> ) o sin atenuador ( <b>OFF</b> )	
		DIM1				
		DIM2				
		DIM3				
		DIM4				
	DERR	SAVE			Continúa con el último comando tras la pérdida de control DMX	
		BLAK			Apaga (blackout) el dispositivo tras la pérdida de señal DMX	
	SLCK	OFF			Bloquea el acceso al nivel principal de <b>SET</b>	
ON						
STRB	SPEC			Selecciona la conducta del estroboscopio del que se exhibe en las personalidades <b>TOUR</b> y <b>TR16</b>		
	CLAS					
MCON	SELF			Señales DMX no se envían a través de la salida DMX		
	MAST			Envía señales DMX a los esclavos Ovation™ C-640FC		
CAL	***** (Introducir Código de Acceso)	CAL1	WH.01– WH.11	RED	X.000– X.255	Modifica los macros de color usados en las personalidades <b>TOUR</b> y <b>TR16</b>
				GRN		
				BLU		
				WHIT		
				AMBE		
CAL2	RED	Define la temperatura de color usada cuando <b>COLR</b> se configura como <b>RGBW</b>				
	GRN					
	BLU					
CALR	***** (Introducir Código de Acceso)	Restablece en <b>CAL</b> los valores de fábrica				

## Valores DMX

TOUR	Canal	Función	Valor	Porcentaje/Configuración
	1	Atenuador	000 ó 255	0-100%
	2	Rojo	000 ó 255	0-100% ( <b>Duración del Paso</b> si <b>Personalizado 1-10</b> está activo)
	3	Verde	000 ó 255	0-100% ( <b>Duración del Fade</b> si <b>Personalizado 1-10</b> está activo)
	4	Azul	000 ó 255	0-100%
	5	Blanco	000 ó 255	0-100%
	6	Ámbar	000 ó 255	0-100%
	7	Rueda de Color Virtual (VCW)	000 ó 255	Consulte la sección <a href="#">Tabla de Colores</a> para ver los valores específicos
	8	Macro de Color + Equilibrio de Blancos	000 ó 010	Sin función
			011 ó 030	R: 100% V: 0-100% A: 0
			031 ó 050	R: 100%-0 V: 100% A: 0
			051 ó 070	R: 0 V: 100% A: 0-100%
			071 ó 090	R: 0 V: 100%-0 A: 100%
			091 ó 110	R: 0-100% V: 0 A: 100%
			111 ó 130	R: 100% V: 0 A: 100%-0
			131 ó 150	R: 100% V: 0-100% A: 0-100%
			151 ó 170	R: 100%-0 V: 100%-0 A: 100%
			171 ó 200	RVABÁ: 100%
			201 ó 205	Blanco 1
			206 ó 210	Blanco 2
			211 ó 215	Blanco 3
			216 ó 220	Blanco 4
			221 ó 225	Blanco 5
			226 ó 230	Blanco 6
			231 ó 235	Blanco 7
	236 ó 240	Blanco 8		
	241 ó 245	Blanco 9		
	246 ó 250	Blanco 10		
	251 ó 255	Blanco 11		



## Valores DMX (cont.)

TOUR (cont.)	Canal	Función	Valor	Porcentaje/Configuración	
9	Estroboscopio Especial		000 ó 009	Sin función	
			010 ó 099	Lento a rápido	
			100 ó 109	Sin función	
			110 ó 179	Efecto de iluminación lento a rápido	
			180 ó 189	Sin función	
		190 ó 255	Aleatorio		
	Estroboscopio Clásico		000 ó 009	Sin función	* Seleccione la función estroboscopio en el menú principal bajo <b>SET &gt; STRB &gt; SPEC</b> o <b>CLAS</b>
			010 ó 019	1 Hz	
			020 ó 029	2 Hz	
			030 ó 039	3 Hz	
			040 ó 049	4 Hz	
			050 ó 059	5 Hz	
			060 ó 069	6 Hz	
			070 ó 079	7 Hz	
			080 ó 089	8 Hz	
			090 ó 099	9 Hz	
			100 ó 109	10 Hz	
			110 ó 119	11 Hz	
			120 ó 129	12 Hz	
			130 ó 139	13 Hz	
		140 ó 149	14 Hz		
	150 ó 159	15 Hz			
	160 ó 169	16 Hz			
	170 ó 179	17 Hz			
	180 ó 189	18 Hz			
	190 ó 199	19 Hz			
	200 ó 255	20 Hz			
10	Programas		000 ó 040	Sin función	
			041 ó 050	Auto 1	
			051 ó 060	Auto 2	
			061 ó 070	Auto 3	
			071 ó 080	Auto 4	
			081 ó 090	Auto 5	
			091 ó 100	Auto 6	
			101 ó 110	Auto 7	
			111 ó 120	Auto 8	
			121 ó 130	Auto 9	
			131 ó 140	Auto 10	
			141 ó 150	Personalizado 1	
			151 ó 160	Personalizado 2	
			161 ó 170	Personalizado 3	
			171 ó 180	Personalizado 4	
	181 ó 190	Personalizado 5			
	191 ó 200	Personalizado 6			
	201 ó 210	Personalizado 7			
	211 ó 220	Personalizado 8			
	221 ó 230	Personalizado 9			
	231 ó 255	Personalizado 10			

## Valores DMX (cont.)

TOUR (cont.)	Canal	Función	Valor	Porcentaje/Configuración
	11	Velocidad Automática	000 ó 255	0–100%
	12	Velocidad Atenuador	000 ó 009 010 ó 029 030 ó 069 070 ó 129 130 ó 189 190 ó 255	Pre configura la velocidad del atenuador desde la pantalla de menú Atenuador lineal Curva de atenuación no-lineal 1 (la más rápida) Curva de atenuación no-lineal 2 Curva de atenuación no-lineal 3 Curva de atenuación no-lineal 4 (la más lenta)

TR16	Canal	Función	Valor	Porcentaje/Configuración
	1	Atenuador	000 ó 255	0–100%
	2	Atenuador fino	000 ó 255	0–100%
	3	Rojo	000 ó 255	0–100%
	4	Rojo nítido	000 ó 255	0–100%
	5	Verde	000 ó 255	0–100%
	6	Verde nítido	000 ó 255	0–100%
	7	Azul	000 ó 255	0–100%
	8	Azul nítido	000 ó 255	0–100%
	9	Blanco	000 ó 255	0–100%
	10	Blanco nítido	000 ó 255	0–100%
	11	Ámbar	000 ó 255	0–100%
	12	Ámbar nítido	000 ó 255	0–100%
	13	Rueda de Color Virtual (VCW)	000 ó 255	Consulte la sección <a href="#">Tabla de Colores</a> para ver los valores específicos
	14	Macro de Color + Equilibrio de Blancos	000 ó 010 Sin función 011 ó 030 R: 100% V: 0–100% A: 0 031 ó 050 R: 100%-0 V: 100% A: 0 051 ó 070 R: 0 V: 100% A: 0–100% 071 ó 090 R: 0 V: 100%-0 A: 100% 091 ó 110 R: 0–100% V: 0 A: 100% 111 ó 130 R: 100% V: 0 A: 100%-0 131 ó 150 R: 100% V: 0–100% A: 0–100% 151 ó 170 R: 100%-0 V: 100%-0 A: 100% 171 ó 200 RVABÁ: 100% 201 ó 205 Blanco 1 206 ó 210 Blanco 2 211 ó 215 Blanco 3 216 ó 220 Blanco 4 221 ó 225 Blanco 5 226 ó 230 Blanco 6 231 ó 235 Blanco 7 236 ó 240 Blanco 8 241 ó 245 Blanco 9 246 ó 250 Blanco 10 251 ó 255 Blanco 11	

## Valores DMX (cont.)

TR16 (cont.)	Canal	Función	Valor	Porcentaje/Configuración	
15	Estroboscopio Especial		000 ó 009	Sin función	
			010 ó 099	Lento a rápido	
			100 ó 109	Sin función	
			110 ó 179	Efecto de iluminación lento a rápido	
			180 ó 189	Sin función	
			190 ó 255	Aleatorio	
	Estroboscopio Clásico		000 ó 009	Sin función	* Seleccione la función estroboscópica en el menú principal bajo <b>SET &gt; STRB &gt; SPEC</b> o <b>CLAS</b>
			010 ó 019	1 Hz	
			020 ó 029	2 Hz	
			030 ó 039	3 Hz	
			040 ó 049	4 Hz	
			050 ó 059	5 Hz	
			060 ó 069	6 Hz	
			070 ó 079	7 Hz	
			080 ó 089	8 Hz	
			090 ó 099	9 Hz	
			100 ó 109	10 Hz	
			110 ó 119	11 Hz	
			120 ó 129	12 Hz	
			130 ó 139	13 Hz	
	140 ó 149	14 Hz			
	150 ó 159	15 Hz			
	160 ó 169	16 Hz			
	170 ó 179	17 Hz			
	180 ó 189	18 Hz			
	190 ó 199	19 Hz			
	200 ó 255	20 Hz			
16	Programas		000 ó 040	Sin función	
			041 ó 050	Auto 1	
			051 ó 060	Auto 2	
			061 ó 070	Auto 3	
			071 ó 080	Auto 4	
			081 ó 090	Auto 5	
			091 ó 100	Auto 6	
			101 ó 110	Auto 7	
			111 ó 120	Auto 8	
			121 ó 130	Auto 9	
			131 ó 140	Auto 10	
			141 ó 150	Personalizado 1	
			151 ó 160	Personalizado 2	
			161 ó 170	Personalizado 3	
			171 ó 180	Personalizado 4	
			181 ó 190	Personalizado 5	
	191 ó 200	Personalizado 6			
	201 ó 210	Personalizado 7			
	211 ó 220	Personalizado 8			
	221 ó 230	Personalizado 9			
	231 ó 255	Personalizado 10			

## Valores DMX (cont.)

TR16 (cont.)	Canal	Función	Valor	Porcentaje/Configuración
	17	Velocidad Automática	000 ó 255	0–100%
	18	Velocidad Atenuador	000 ó 009 010 ó 029 030 ó 069 070 ó 129 130 ó 189 190 ó 255	Pre configura la velocidad del atenuador desde la pantalla de menú Atenuador lineal Curva de atenuación no-lineal 1 (la más rápida) Curva de atenuación no-lineal 2 Curva de atenuación no-lineal 3 Curva de atenuación no-lineal 4 (la más lenta)

AR1.D	Canal	Función	Valor	Porcentaje/Configuración
	1	Atenuador	000 ó 255	0–100%
	2	Rojo	000 ó 255	0–100%
	3	Verde	000 ó 255	0–100%
	4	Azul	000 ó 255	0–100%
	5	Rueda de Color Virtual (VCW)	000 ó 255	Consulte la sección <a href="#">Tabla de Colores</a> para ver los valores específicos

ARC.2	Canal	Función	Valor	Porcentaje/Configuración
	1	Rojo	000 ó 255	0–100%
	2	Verde	000 ó 255	0–100%
	3	Azul	000 ó 255	0–100%
	4	Blanco	000 ó 255	0–100%
	5	Rueda de Color Virtual (VCW)	000 ó 255	Consulte la sección <a href="#">Tabla de Colores</a> para ver los valores específicos

ARC.3	Canal	Función	Valor	Porcentaje/Configuración
	1	Rojo	000 ó 255	0–100%
	2	Verde	000 ó 255	0–100%
	3	Azul	000 ó 255	0–100%
	4	Blanco	000 ó 255	0–100%
	5	Ámbar	000 ó 255	0–100%
	6	Rueda de Color Virtual (VCW)	000 ó 255	Consulte la sección <a href="#">Tabla de Colores</a> para ver los valores específicos

## Valores DMX (cont.)

AR3.D	Canal	Función	Valor	Porcentaje/Configuración
	1	Atenuador	000 ó 255	0–100%
	2	Rojo	000 ó 255	0–100%
	3	Verde	000 ó 255	0–100%
	4	Azul	000 ó 255	0–100%
	5	Blanco	000 ó 255	0–100%
	6	Ámbar	000 ó 255	0–100%
	7	Rueda de Color Virtual (VCW)	000 ó 255	Consulte la sección <a href="#">Tabla de Colores</a> para ver los valores específicos

PIX1	Canal	Función	Valor	Porcentaje/Configuración
	1	Píxel 1 Rojo	000 ó 255	0–100%
	2	Píxel 1 Verde	000 ó 255	0–100%
	3	Píxel 1 Azul	000 ó 255	0–100%
	4	Píxel 1 Rueda de Color Virtual (VCW)	000 ó 255	Consulte la sección <a href="#">Tabla de Colores</a> para ver los valores específicos
	5	Píxel 2 Rojo	000 ó 255	0–100%
	6	Píxel 2 Verde	000 ó 255	0–100%
	7	Píxel 2 Azul	000 ó 255	0–100%
	8	Píxel 2 Rueda de Color Virtual (VCW)	000 ó 255	Consulte la sección <a href="#">Tabla de Colores</a> para ver los valores específicos

HSV	Canal	Función	Valor	Porcentaje/Configuración
	1	Tono	000 ó 255	0–100%
	2	Saturación	000 ó 255	0–100%
	3	Valor	000 ó 255	0–100%

PIX3	Canal	Función	Valor	Porcentaje/Configuración
	1	Píxel 1 Rojo	000 ó 255	0–100%
	2	Píxel 1 Verde	000 ó 255	0–100%
	3	Píxel 1 Azul	000 ó 255	0–100%
	4	Píxel 1 Blanco	000 ó 255	0–100%
	5	Píxel 1 Ámbar	000 ó 255	0–100%
	6	Píxel 1 Rueda de Color Virtual (VCW)	000 ó 255	Consulte la sección <a href="#">Tabla de Colores</a> para ver los valores específicos
	7	Píxel 2 Rojo	000 ó 255	0–100%
	8	Píxel 2 Verde	000 ó 255	0–100%
	9	Píxel 2 Azul	000 ó 255	0–100%
	10	Píxel 2 Blanco	000 ó 255	0–100%
	11	Píxel 2 Ámbar	000 ó 255	0–100%
	12	Píxel 2 Rueda de Color Virtual (VCW)	000 ó 255	Consulte la sección <a href="#">Tabla de Colores</a> para ver los valores específicos

## Valores DMX (cont.)

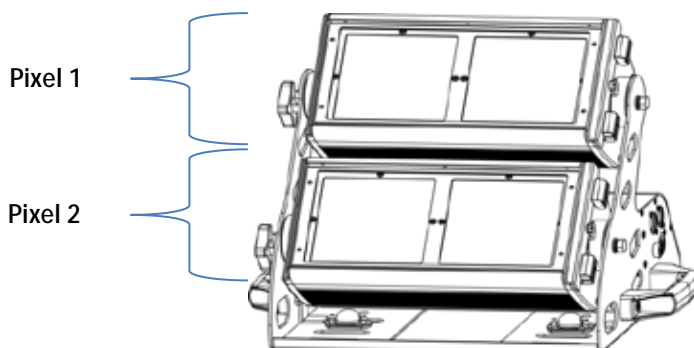
AR3.S	Canal	Función	Valor	Porcentaje/Configuración
	1	Atenuador	000 ó 255	0-100%
	2	Rojo	000 ó 255	0-100%
	3	Verde	000 ó 255	0-100%
	4	Azul	000 ó 255	0-100%
	5	Blanco	000 ó 255	0-100%
	6	Ámbar	000 ó 255	0-100%
	7	Rueda de Color Virtual (VCW)	000 ó 255	Consulte la sección <a href="#">Tabla de Colores</a> para ver los valores específicos
	8	Estroboscopio Clásico	000 ó 009	Sin función
			010 ó 019	1 Hz
			020 ó 029	2 Hz
			030 ó 039	3 Hz
			040 ó 049	4 Hz
			050 ó 059	5 Hz
			060 ó 069	6 Hz
			070 ó 079	7 Hz
			080 ó 089	8 Hz
			090 ó 099	9 Hz
			100 ó 109	10 Hz
			110 ó 119	11 Hz
			120 ó 129	12 Hz
			130 ó 139	13 Hz
			140 ó 149	14 Hz
			150 ó 159	15 Hz
			160 ó 169	16 Hz
	170 ó 179	17 Hz		
	180 ó 189	18 Hz		
	190 ó 199	19 Hz		
	200 ó 255	20 Hz		

ARC.1	Canal	Función	Valor	Porcentaje/Configuración
	1	Rojo	000 ó 255	0-100%
	2	Verde	000 ó 255	0-100%
	3	Azul	000 ó 255	0-100%
	4	Rueda de Color Virtual (VCW)	000 ó 255	Consulte la sección <a href="#">Tabla de Colores</a> para ver los valores específicos

## Valores DMX (cont.)

PX16	Canal	Función	Valor	Porcentaje/Configuración
	1	Atenuador	000 ó 255	0–100%
	2	Atenuador fino	000 ó 255	0–100%
	3	Píxel 1 Rojo	000 ó 255	0–100%
	4	Píxel 1 Rojo nítido	000 ó 255	0–100%
	5	Píxel 1 Verde	000 ó 255	0–100%
	6	Píxel 1 Verde nítido	000 ó 255	0–100%
	7	Píxel 1 Azul	000 ó 255	0–100%
	8	Píxel 1 Azul nítido	000 ó 255	0–100%
	9	Píxel 1 Blanco	000 ó 255	0–100%
	10	Píxel 1 Blanco nítido	000 ó 255	0–100%
	11	Píxel 1 Ámbar	000 ó 255	0–100%
	12	Píxel 1 Ámbar nítido	000 ó 255	0–100%
	13	Píxel 1 Rueda de Color Virtual (VCW)	000 ó 255	Consulte la sección <a href="#">Tabla de Colores</a> para ver los valores específicos
	14	Píxel 2 Rojo	000 ó 255	0–100%
	15	Píxel 2 Rojo nítido	000 ó 255	0–100%
	16	Píxel 2 Verde	000 ó 255	0–100%
	17	Píxel 2 Verde nítido	000 ó 255	0–100%
	18	Píxel 2 Azul	000 ó 255	0–100%
	19	Píxel 2 Azul nítido	000 ó 255	0–100%
	20	Píxel 2 Blanco	000 ó 255	0–100%
	21	Píxel 2 Blanco nítido	000 ó 255	0–100%
	22	Píxel 2 Ámbar	000 ó 255	0–100%
	23	Píxel 2 Ámbar nítido	000 ó 255	0–100%
	24	Píxel 2 Rueda de Color Virtual (VCW)	000 ó 255	Consulte la sección <a href="#">Tabla de Colores</a> para ver los valores específicos

## Secciones Ovation™ C-640FC para Control DMX



## À Propos de ce Manuel

Le Manuel de Référence (MR) Ovation™ C-640FC reprend des informations de base sur ce produit notamment en matière de connexions, montage, options de menu et valeurs DMX. Téléchargez le manuel d'utilisation sur [www.chauvetprofessional.com](http://www.chauvetprofessional.com) pour de plus amples informations.

## Clause de Non-Responsabilité

Les informations et caractéristiques contenues dans ce manuel sont sujettes à changement sans préavis.

## Consignes de Sécurité

- N'ouvrez PAS ce produit. Il ne contient aucun composant susceptible d'être réparé par l'utilisateur.
- Ne regardez PAS la source lumineuse lorsque le produit fonctionne.
- Durant les périodes de non-utilisation, pour éviter toute usure inutile et pour prolonger la durée de vie, déconnectez-entièrement l'appareil en le débranchant de l'alimentation électrique ou en coupant le disjoncteur.
- ATTENTION: Lorsque l'appareil est transféré d'un environnement à température extrême à un autre (par exemple d'un camion froid vers une salle de bal chaude et humide), de la condensation peut se former sur les composants électriques internes. Pour éviter de causer des dommages, laissez l'appareil s'acclimater entièrement au milieu environnant avant de le mettre sous tension.
- ATTENTION: le boîtier de ce produit est brûlant lors du fonctionnement.
- Montez toujours ce produit dans un endroit bien ventilé, à au moins, 20 pouces (50 cm) des surfaces adjacentes.
- Ne laissez AUCUNE source inflammable dans un rayon de 50 cm du produit lorsque celui-ci fonctionne.
- Utilisez TOUJOURS un câble de sécurité lorsque vous montez ce produit en hauteur.
- N'utilisez PAS ce produit en extérieur ou tout autre endroit où de la poussière, une chaleur excessive, de l'eau ou de l'humidité pour en affecter le fonctionnement.
- N'utilisez PAS ce produit si le boîtier, les lentilles ou les câbles vous semblent endommagés.
- Ne connectez PAS ce produit ni à un gradateur ni à un rhéostat.
- Connectez UNIQUEMENT ce produit à un circuit protégé et relié à la terre.
- Transportez/Suspendez ce produit UNIQUEMENT au moyen de la poignée ou lyre de suspension dont il est doté.
- En cas de sérieux problèmes de fonctionnement, arrêtez le système immédiatement.
- La température ambiante maximale supportée par ce produit est de 113 °F (45 °C). Ne le faites pas fonctionner à des températures plus élevées.



**Contact** En dehors des États-Unis, du Royaume-Uni et de l'Irlande, du Mexique, ou de Benelux contactez votre fournisseur si vous avez besoin d'assistance ou de retourner votre produit. Consultez le site [www.chauvetprofessional.com](http://www.chauvetprofessional.com) pour trouver nos coordonnées.

**Ce qui est Inclus**

- Un Ovation™ C-640FC
- Un Cordon d'Alimentation
- Deux Supports Omega
- Deux Supports de Gélatine
- 5,32 x 9,65 pouces (135 x 245 mm)
- Une fiche de Garantie
- Un Manuel de Référence

**Alimentation CA** Ce produit est doté d'une alimentation universelle prenant en charge toute tension d'entrée comprise entre 100 et 240 VCA, 50/60 Hz.



**Durant les périodes de non-utilisation, pour éviter toute usure inutile et pour prolonger la durée de vie, déconnectez-entièrement l'appareil en le débranchant de l'alimentation électrique ou en coupant le disjoncteur.**

**Connexion Électrique** Vous pouvez connecter jusqu'à 9 Ovation™ C-640FC à 120 V ou 18 unités à 230 V. Vous pouvez vous procurer séparément des cordons d'alimentation.

#### Prise CA

Connexion	Câble (États-Unis)	Câble (Europe)	Couleur de la Vis
Conducteur CA	Noir	Marron	Jaune/Cuivré
Neutre CA	Blanc	Bleu	Argenté
Terre CA	Vert/Jaune	Vert/Jaune	Vert

#### Remplacement du Fusible

1. Débranchez l'appareil de la prise.
2. À l'aide d'un tournevis Philips à tête n° 2, dévissez le couvercle du porte-fusible.
3. Remplacez le fusible obsolète par un fusible neuf équivalent
4. Revissez le couvercle du porte-fusible et rebranchez l'unité.

#### Raccordement DMX

Le Ovation™ C-640FC fonctionnera avec un jeu d'orgues DMX au moyen de connexions DMX en série standard. Une introduction au DMX est à votre disposition sur [www.chauvetprofessional.com](http://www.chauvetprofessional.com).

#### Connexion DMX

Le Ovation™ C-640FC utilise une connexion de données DMX standard pour ses personnalités DMX: **TOUR, TR16, ARC.1, AR1.D, ARC.2, ARC.3, AR3.D, AR3.S, PIX1, PIX3, PX16, et HSV**. Consultez le manuel d'utilisation pour connecter et configurer le système DMX.



**Remarque : Pour une commande optimale des canaux de gradation 16 bits dans la personnalité TR 16, veillez à ce que les deux courbes de gradation dans SET > DIMX soient sur OFF.**

#### Connexion Maître/Esclave

Le Ovation™ C-640FC utilise une connexion de données DMX pour son mode Maître/Esclave. Consultez le Manuel d'Utilisation pour connecter et configurer le mode de fonctionnement Maître/Esclave.

## Roue de Couleurs Virtuelles (VCW)

L'Ovation™ C-640FC comprend une toute nouvelle fonctionnalité appelée la Roue de Couleurs Virtuelles (VCW). Elle est disponible en mode de commande autonome en usage manuel et également en canal de commande dans chacune des personnalités DMX de l'unité. Plus de 30 couleurs pré-mélangées, sur base des gélamines de couleur de les plus populaires, sont prêtes à être appelées afin de vous faciliter la programmation. Sur la roue de couleurs virtuelles, en sélection manuelle des couleurs, le numéro de la gélamine répertoriée s'affichera sur l'écran LED, pour une sélection et une utilisation des plus faciles.

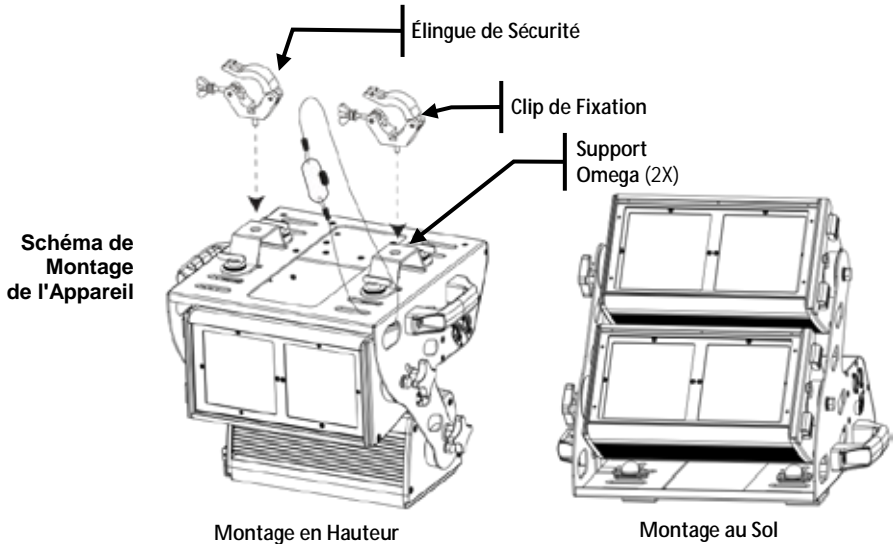
## Gamme de Couleurs

Valeurs des Canaux DMX	Affichage à l'Écran	Valeur Rouge	Valeur Vert	Valeur Bleu	Valeur Blanc	Valeur Ambre
000 ∘ 005	--	000	000	000	000	000
006 ∘ 013	<b>C90Y</b>	255	250	000	000	255
014 ∘ 021	<b>R11</b>	255	213	000	020	255
022 ∘ 028	<b>R312</b>	255	216	000	000	190
029 ∘ 035	<b>R03</b>	240	129	002	072	255
036 ∘ 043	<b>R18</b>	245	108	000	035	255
044 ∘ 051	<b>R20</b>	255	109	000	000	255
052 ∘ 059	<b>R21</b>	170	039	000	000	255
060 ∘ 067	<b>R26</b>	245	002	000	000	031
068 ∘ 075	<b>R27</b>	255	000	000	002	000
076 ∘ 083	<b>R33</b>	042	000	000	245	234
084 ∘ 091	<b>R337</b>	155	064	006	165	255
092 ∘ 099	<b>R38</b>	226	154	024	045	255
100 ∘ 107	<b>R41</b>	255	008	000	010	150
108 ∘ 115	<b>R42</b>	255	006	000	024	055
116 ∘ 121	<b>R44</b>	255	041	010	130	000
122 ∘ 130	<b>R349</b>	255	027	024	000	000
131 ∘ 138	<b>R54</b>	173	226	042	080	255
139 ∘ 146	<b>R64</b>	000	255	062	099	215
147 ∘ 154	<b>R364</b>	000	185	039	255	205
155 ∘ 162	<b>R65</b>	000	239	062	205	000
163 ∘ 170	<b>R80</b>	000	249	205	011	000
171 ∘ 178	<b>R81</b>	000	248	117	108	000
179 ∘ 186	<b>R82</b>	000	239	062	205	000
187 ∘ 194	<b>R382</b>	020	000	255	000	000
195 ∘ 202	<b>R83</b>	000	144	255	000	000
203 ∘ 210	<b>R383</b>	000	034	255	031	000
211 ∘ 218	<b>R91</b>	000	255	000	084	035
219 ∘ 226	<b>R92</b>	043	255	003	255	055
227 ∘ 234	<b>R93</b>	063	255	015	125	000
235 ∘ 242	<b>R393</b>	000	255	022	070	000
243 ∘ 250	<b>R90</b>	005	255	000	000	015
251 ∘ 255	--	000	000	000	000	000



**Remarque :** Les couleurs ci-dessus sont des rendus simulés de couleurs produits sur base des couleurs émises par les appareils à incandescence. Chauvet ne peut garantir l'exactitude du rendu d'une couleur.

**Installation** Avant de monter cet appareil, lisez et assimilez les [Consignes de Sécurité](#). Veillez à ce que les fixations sont capables de supporter le poids de l'unité. Découvrez notre gamme de fixations Chauvet sur [trusst.com/productcategory/base-plates-accessories-clamps/](https://trusst.com/productcategory/base-plates-accessories-clamps/).



### Description du Tableau de Commandes

Bouton	Fonction
<MENU>	Permet la sortie du menu ou de la fonction en cours
<ENTER>	Permet l'affichage du menu en cours ou permet de configurer la valeur en cours dans la fonction sélectionnée
<UP>	Permet de parcourir les listes de menu vers le haut, dans une fonction permet d'augmenter les valeurs numériques.
<DOWN>	Permet de parcourir les listes de menu vers le bas, dans une fonction permet de diminuer les valeurs numériques.

**Code d'accès** Une fois que cette page s'affiche, saisissez le code d'accès suivant comme suit:  
 <UP>, <DOWN>, <UP>, <DOWN>, <ENTER>  
 Ce code ne peut pas être modifié et doit être saisi sur demande.

## Options du Menu

Niveau Principal	Niveaux de Programmation		Description
STAT	RED	X.000–X.255	Combine les couleurs rouge, vert, bleu, blanc et ambre pour un résultat personnalisé (0–100%)
	GREN		
	BLUE		
	WHIT		
	AMBR		
	STRB	S.000–S.020	Sélectionne la fréquence du stroboscope (0–20 Hz)
VCW	C90Y		Roue de Couleurs Virtuelles (VCW) simule le rendu des gélamines de couleur de . Consultez la section <a href="#">Gamme de Couleurs</a> pour en connaître les valeurs spécifiques.
	R11		
	R321		
	R03		
	R18		
	R20		
	R21		
	R26		
	R27		
	R33		
	R337		
	R38		
	R41		
	R42		
	R44		
	R349		
	R54		
	R64		
	R364		
	R65		
	R80		
	R81		
	R82		
	R382		
	R83		
	R383		
R91			
R92			
R93			
R393			
R90			

## Options du Menu (suite)

Niveau Principal	Niveaux de Programmation		Description		
AUTO	AT.01–AT.10	P.000–P.255	Sélectionne les programmes automatiques et vitesse auto		
	PR.01–PR.10		Sélectionne programmes - personnaliser		
RUN	DMX		Reçoit les signaux DMX du contrôleur DMX		
	SLAV		Reçoit les signaux DMX du maître		
ADDR	D.001–D.512		Sélectionne l'adresse DMX de départ		
PERS	TOUR		12 canaux: RVBbA, VCW, gradateur, stroboscope, macro de couleurs, auto/perso, vitesse gradateur, vitesse auto		
	TR16		18 canaux: 16-bit- RVBbA, VCW, gradateur, stroboscope, macro de couleurs, auto/perso, vitesse gradateur, vitesse auto		
	ARC.1		4 canaux: Commande RVB, VCW		
	AR1.D		5 canaux: RVB, gradateur, VCW		
	ARC.2		5 canaux: commande RVBb, VCW,		
	ARC.3		6 canaux: commande RVBbA, VCW		
	AR3.D		7 canaux: RVBbA, gradateur, VCW		
	AR3.S		8 canaux: RVBbA, gradateur, stroboscope, VCW		
	HSV		3 canaux: commande HSV		
	PIX1		8 canaux: RVB commande de pixels, VCW		
	PIX3		12 canaux: RVBbA commande de pixels, VCW		
PX16		24 canaux: 16-bit- RVBbA commande de pixels, gradateur, VCW			
EDIT	PR.01–PR.10	SC.01–SC.30	RED	X.000–X.255	Combine rouge, vert, bleu, blanc et ambre afin de créer une couleur personnalisée (0–100%)
			GREN		
			BLUE		
			WHIT		
			AMBE		
	STRB	S.000–S.020	Permet la sélection de la fréquence du stroboscope (0-20 Hz)		
	TIME	T.000–T.255	Définit la durée des pas (lent à rapide)		
FADE	F.000–F.255	Définit la durée du fondu (lent à rapide)			

### Options du Menu (suite)

Niveau Principal	Niveaux de Programmation				Description	
SET	KEY	ON			Active ou désactive le mot de passe	
		OFF				
	UPLD	***** (Saisir le code d'accès)	SEND	OK	Télécharge les programmes personnalisés sur d'autres Ovation™ C-640FCs	
	REST	***** (Saisir le code d'accès)	SEND	OK	Retour aux réglages d'usine par défaut	
	COLR	OFF			RVB configuré sur <b>255</b> = sortie max.	
		RGBW			RVB configuré sur <b>255</b> = balance des blancs	
		UC.			Balance des couleurs Universelle	
	DIMX	OFF			Courbes de gradation rapide ( <b>DIM1</b> ) à lent ( <b>DIM4</b> ) ou pas de gradateur ( <b>OFF</b> )	
		DIM1				
		DIM2				
		DIM3				
		DIM4				
	DERR	SAVE			En cas de perte de commande DMX, la dernière commande se maintiendra	
BLAK			Met l'unité en noir général en cas de perte de signal DMX			
SLCK	OFF			Verrouillage de l'accès au niveau principal		
	ON					
STRB	SPEC			Sélectionne le comportement du stroboscope dans les personnalités <b>TOUR</b> et <b>TR16</b>		
	CLAS					
MCON	SELF			Signaux DMX ne sont pas envoyés par la sortie DMX		
	MAST			Envoyer des signaux DMX aux esclaves Ovation™ C-640FC		
CAL	***** (Saisir le Mot de Passe)	CAL1	WH.01– WH.11	RED	X.000– X.255	Modifie les couleurs des macros utilisées dans le canal 6 des personnalités <b>TOUR</b> et <b>TR16</b>
				GREN		
				BLUE		
				WHIT		
				AMBE		
CAL2	RED	Définit la température de la couleur utilisée quand <b>COLO</b> est configuré sur RVBb.				
	GREN					
	BLUE					
CALR	***** (Saisir le code d'accès)	Retour aux <b>CAL</b> réglages d'usine par défaut				

## Valeurs DMX

TOUR	Canal	Fonction	Valeur	Pourcentage/Configuration
	1	Gradateur	000 ó 255	0–100%
	2	Rouge	000 ó 255	0–100% ( <b>Durée des Pas si Personnalisé 1–10 actif</b> )
	3	Vert	000 ó 255	0–100% ( <b>Durée du Fondu si Personnalisé 1–10 actif</b> )
	4	Bleu	000 ó 255	0–100%
	5	Blanc	000 ó 255	0–100%
	6	Ambre	000 ó 255	0–100%
	7	Roue de Couleurs Virtuelles (VCW)	000 ó 255	Consultez la section <a href="#">Gamme de Couleurs</a> pour en connaître les valeurs spécifiques
	8	Macros de Couleurs + Balance des Blancs	000 ó 010	Pas de fonction
			011 ó 030	R: 100% V: 0–100% B: 0
			031 ó 050	R: 100%-0 V: 100% B: 0
			051 ó 070	R: 0 V: 100% B: 0–100%
			071 ó 090	R: 0 V: 100%-0 B: 100%
			091 ó 110	R: 0–100% V: 0 B: 100%
			111 ó 130	R: 100% V: 0 B: 100%-0
			131 ó 150	R: 100% V: 0–100% B: 0–100%
			151 ó 170	R: 100%-0 V: 100%-0 B: 100%
			171 ó 200	RVBbA: 100%
			201 ó 205	Blanc 1
			206 ó 210	Blanc 2
			211 ó 215	Blanc 3
			216 ó 220	Blanc 4
			221 ó 225	Blanc 5
			226 ó 230	Blanc 6
	231 ó 235	Blanc 7		
	236 ó 240	Blanc 8		
	241 ó 245	Blanc 9		
	246 ó 250	Blanc 10		
	251 ó 255	Blanc 11		

## Valeurs DMX (suite)

TOUR (suite)	Canal	Fonction	Valeur	Pourcentage/Configuration	
9	Stroboscope Spécial		000 ó 009	Pas de fonction	
			010 ó 099	Lent à rapide	
			100 ó 109	Pas de fonction	
			110 ó 179	Effet d'éclairage de lent à rapide	
			180 ó 189	Pas de fonction	
			190 ó 255	Aléatoire	
	Stroboscope Classique		000 ó 009	Pas de fonction	*Sélectionne la fonction stroboscope dans le menu principal sous <b>SET &gt; STRB &gt; SPEC</b> ou <b>CLAS</b>
			010 ó 019	1 Hz	
			020 ó 029	2 Hz	
			030 ó 039	3 Hz	
			040 ó 049	4 Hz	
			050 ó 059	5 Hz	
			060 ó 069	6 Hz	
			070 ó 079	7 Hz	
			080 ó 089	8 Hz	
			090 ó 099	9 Hz	
			100 ó 109	10 Hz	
			110 ó 119	11 Hz	
			120 ó 129	12 Hz	
			130 ó 139	13 Hz	
	140 ó 149	14 Hz			
	150 ó 159	15 Hz			
	160 ó 169	16 Hz			
	170 ó 179	17 Hz			
	180 ó 189	18 Hz			
	190 ó 199	19 Hz			
	200 ó 255	20 Hz			
10	Programmes		000 ó 040	Pas de fonction	
			041 ó 050	Auto 1	
			051 ó 060	Auto 2	
			061 ó 070	Auto 3	
			071 ó 080	Auto 4	
			081 ó 090	Auto 5	
			091 ó 100	Auto 6	
			101 ó 110	Auto 7	
			111 ó 120	Auto 8	
			121 ó 130	Auto 9	
			131 ó 140	Auto 10	
			141 ó 150	Personnalisé 1	
			151 ó 160	Personnalisé 2	
			161 ó 170	Personnalisé 3	
			171 ó 180	Personnalisé 4	
			181 ó 190	Personnalisé 5	
			191 ó 200	Personnalisé 6	
			201 ó 210	Personnalisé 7	
			211 ó 220	Personnalisé 8	
			221 ó 230	Personnalisé 9	
	231 ó 255	Personnalisé 10			



## Valeurs DMX (suite)

TOUR (suite)	Canal	Fonction	Valeur	Pourcentage/Configuration
	11	Vitesse Auto		000 ó 255
12	Vitesse du Gradateur		000 ó 009	Vitesse du gradateur prédéfinie depuis le menu
			010 ó 029	Gradateur linéaire
			030 ó 069	Courbe de gradation non linéaire 1 (la plus rapide)
			070 ó 129	Courbe de gradation non linéaire 2
			130 ó 189	Courbe de gradation non linéaire 3
			190 ó 255	Courbe de gradation non linéaire 4 (la moins rapide)

TR16	Canal	Fonction	Valeur	Pourcentage/Configuration
	1	Gradateur		000 ó 255
2	Gradateur Fin		000 ó 255	0–100%
3	Rouge		000 ó 255	0–100%
4	Rouge Fin		000 ó 255	0–100%
5	Vert		000 ó 255	0–100%
6	Vert Fin		000 ó 255	0–100%
7	Bleu		000 ó 255	0–100%
8	Bleu Fin		000 ó 255	0–100%
9	Blanc		000 ó 255	0–100%
10	Blanc Fin		000 ó 255	0–100%
11	Ambre		000 ó 255	0–100%
12	Ambre Fin		000 ó 255	0–100%
13	Roue de Couleurs Virtuelles (VCW)		000 ó 255	Consultez la section <a href="#">Gamme de Couleurs</a> pour en connaître les valeurs spécifiques
14	Macros de Couleurs + Balance des Blancs		000 ó 010	Pas de fonction
			011 ó 030	R: 100% V: 0–100% B: 0
			031 ó 050	R: 100%-0 V: 100% B: 0
			051 ó 070	R: 0 V: 100% B: 0–100%
			071 ó 090	R: 0 V: 100%-0 B: 100%
			091 ó 110	R: 0–100% V: 0 B: 100%
			111 ó 130	R: 100% V: 0 B: 100%-0
			131 ó 150	R: 100% V: 0–100% B: 0–100%
			151 ó 170	R: 100%-0 V: 100%-0 B: 100%
			171 ó 200	RVBbA: 100%
			201 ó 205	Blanc 1
			206 ó 210	Blanc 2
			211 ó 215	Blanc 3
			216 ó 220	Blanc 4
			221 ó 225	Blanc 5
			226 ó 230	Blanc 6
			231 ó 235	Blanc 7
			236 ó 240	Blanc 8
	241 ó 245	Blanc 9		
	246 ó 250	Blanc 10		
	251 ó 255	Blanc 11		

## Valeurs DMX (suite)

TR16 (suite)	Canal	Fonction	Valeur	Pourcentage/Configuration
15	<b>Stroboscope Spécial</b>		000 ó 009	Pas de fonction
			010 ó 099	Lent à rapide
			100 ó 109	Pas de fonction
			110 ó 179	Effet d'éclairage de lent à rapide
			180 ó 189	Pas de fonction
			190 ó 255	Aléatoire
	<b>Stroboscope Classique</b>		000 ó 009	Pas de fonction
			010 ó 019	1 Hz
			020 ó 029	2 Hz
			030 ó 039	3 Hz
			040 ó 049	4 Hz
			050 ó 059	5 Hz
			060 ó 069	6 Hz
			070 ó 079	7 Hz
			080 ó 089	8 Hz
			090 ó 099	9 Hz
			100 ó 109	10 Hz
			110 ó 119	11 Hz
			120 ó 129	12 Hz
			130 ó 139	13 Hz
	140 ó 149	14 Hz		
	150 ó 159	15 Hz		
	160 ó 169	16 Hz		
	170 ó 179	17 Hz		
	180 ó 189	18 Hz		
	190 ó 199	19 Hz		
	200 ó 255	20 Hz		
16	<b>Programmes</b>		000 ó 040	Pas de fonction
			041 ó 050	Auto 1
			051 ó 060	Auto 2
			061 ó 070	Auto 3
			071 ó 080	Auto 4
			081 ó 090	Auto 5
			091 ó 100	Auto 6
			101 ó 110	Auto 7
			111 ó 120	Auto 8
			121 ó 130	Auto 9
			131 ó 140	Auto 10
			141 ó 150	Personnalisé 1
			151 ó 160	Personnalisé 2
			161 ó 170	Personnalisé 3
			171 ó 180	Personnalisé 4
			181 ó 190	Personnalisé 5
			191 ó 200	Personnalisé 6
			201 ó 210	Personnalisé 7
			211 ó 220	Personnalisé 8
			221 ó 230	Personnalisé 9
	231 ó 255	Personnalisé 10		

\*Sélectionne la fonction stroboscope dans le menu principal sous **SET > STRB > SPEC** ou **CLAS**

## Valeurs DMX (suite)

TR16 (suite)	Canal	Fonction	Valeur	Pourcentage/Configuration
	17	Vitesse Auto	000 ó 255	0–100%
	18	Vitesse du Gradateur	000 ó 009	Vitesse du gradateur prédéfinie depuis le menu
			010 ó 029	Gradateur linéaire
			030 ó 069	Courbe de gradation non linéaire 1 (la plus rapide)
			070 ó 129	Courbe de gradation non linéaire 2
			130 ó 189	Courbe de gradation non linéaire 3
			190 ó 255	Courbe de gradation non linéaire 4 (la moins rapide)

ARC.1	Canal	Fonction	Valeur	Pourcentage/Configuration
	1	Rouge	000 ó 255	0–100%
	2	Vert	000 ó 255	0–100%
	3	Bleu	000 ó 255	0–100%
	4	Roue de Couleurs Virtuelles (VCW)	000 ó 255	Consultez la section <a href="#">Gamme de Couleurs</a> pour en connaître les valeurs spécifiques

AR1.D	Canal	Fonction	Valeur	Pourcentage/Configuration
	1	Gradateur	000 ó 255	0–100%
	2	Rouge	000 ó 255	0–100%
	3	Vert	000 ó 255	0–100%
	4	Bleu	000 ó 255	0–100%
	5	Roue de Couleurs Virtuelles (VCW)	000 ó 255	Consultez la section <a href="#">Gamme de Couleurs</a> pour en connaître les valeurs spécifiques

PIX3	Canal	Fonction	Valeur	Pourcentage/Configuration
	1	Pixel 1 Rouge	000 ó 255	0–100%
	2	Pixel 1 Vert	000 ó 255	0–100%
	3	Pixel 1 Bleu	000 ó 255	0–100%
	4	Pixel 1 Blanc	000 ó 255	0–100%
	5	Pixel 1 Ambre	000 ó 255	0–100%
	6	Pixel 1 Roue de Couleurs Virtuelles (VCW)	000 ó 255	Consultez la section <a href="#">Gamme de Couleurs</a> pour en connaître les valeurs spécifiques
	7	Pixel 2 Rouge	000 ó 255	0–100%
	8	Pixel 2 Vert	000 ó 255	0–100%
	9	Pixel 2 Bleu	000 ó 255	0–100%
	10	Pixel 2 Blanc	000 ó 255	0–100%
	11	Pixel 2 Ambre	000 ó 255	0–100%
	12	Pixel 2 Roue de Couleurs Virtuelles (VCW)	000 ó 255	Consultez la section <a href="#">Gamme de Couleurs</a> pour en connaître les valeurs spécifiques

## Valeurs DMX (suite)

ARC.2	Canal	Fonction	Valeur	Pourcentage/Configuration
	1	Gradateur	000 ó 255	0–100%
	2	Rouge	000 ó 255	0–100%
	3	Vert	000 ó 255	0–100%
	4	Bleu	000 ó 255	0–100%
	5	Blanc	000 ó 255	0–100%
	6	Ambre	000 ó 255	0–100%
	7	Roue de Couleurs Virtuelles (VCW)	000 ó 255	Consultez la section <a href="#">Gamme de Couleurs</a> pour en connaître les valeurs spécifiques

ARC.2	Canal	Fonction	Valeur	Pourcentage/Configuration
	1	Rouge	000 ó 255	0–100%
	2	Vert	000 ó 255	0–100%
	3	Bleu	000 ó 255	0–100%
	4	Blanc	000 ó 255	0–100%
	5	Roue de Couleurs Virtuelles (VCW)	000 ó 255	Consultez la section <a href="#">Gamme de Couleurs</a> pour en connaître les valeurs spécifiques

ARC.3	Canal	Fonction	Valeur	Pourcentage/Configuration
	1	Rouge	000 ó 255	0–100%
	2	Vert	000 ó 255	0–100%
	3	Bleu	000 ó 255	0–100%
	4	Blanc	000 ó 255	0–100%
	5	Ambre	000 ó 255	0–100%
	6	Roue de Couleurs Virtuelles (VCW)	000 ó 255	Consultez la section <a href="#">Gamme de Couleurs</a> pour en connaître les valeurs spécifiques

HSV	Canal	Fonction	Valeur	Pourcentage/Configuration
	1	Teintes	000 ó 255	0–100%
	2	Saturation	000 ó 255	0–100%
	3	Valeur	000 ó 255	0–100%

## Valeurs DMX (suite)

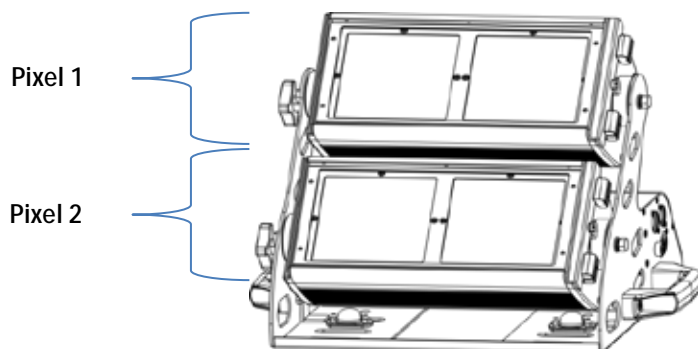
PX16	Canal	Fonction	Valeur	Pourcentage/Configuration
	1	Gradateur	000 ó 255	0–100%
	2	Gradateur Fin	000 ó 255	0–100%
	3	Pixel 1 Rouge	000 ó 255	0–100%
	4	Pixel 1 Rouge Fin	000 ó 255	0–100%
	5	Pixel 1 Vert	000 ó 255	0–100%
	6	Pixel 1 Vert Fin	000 ó 255	0–100%
	7	Pixel 1 Bleu	000 ó 255	0–100%
	8	Pixel 1 Bleu Fin	000 ó 255	0–100%
	9	Pixel 1 Blanc	000 ó 255	0–100%
	10	Pixel 1 Blanc Fin	000 ó 255	0–100%
	11	Pixel 1 Ambre	000 ó 255	0–100%
	12	Pixel 1 Ambre Fin	000 ó 255	0–100%
	13	Pixel 1 Roue de Couleurs Virtuelles (VCW)	000 ó 255	Consultez la section <a href="#">Gamme de Couleurs</a> pour en connaître les valeurs spécifiques
	14	Pixel 2 Rouge	000 ó 255	0–100%
	15	Pixel 2 Rouge Fin	000 ó 255	0–100%
	16	Pixel 2 Vert	000 ó 255	0–100%
	17	Pixel 2 Vert Fin	000 ó 255	0–100%
	18	Pixel 2 Bleu	000 ó 255	0–100%
	19	Pixel 2 Bleu Fin	000 ó 255	0–100%
	20	Pixel 2 Blanc	000 ó 255	0–100%
	21	Pixel 2 Blanc Fin	000 ó 255	0–100%
	22	Pixel 2 Ambre	000 ó 255	0–100%
	23	Pixel 2 Ambre Fin	000 ó 255	0–100%
	24	Pixel 2 Roue de Couleurs Virtuelles (VCW)	000 ó 255	Consultez la section <a href="#">Gamme de Couleurs</a> pour en connaître les valeurs spécifiques

## Valeurs DMX (suite)

PIX1	Canal	Fonction	Valeur	Pourcentage/Configuration
	1	Pixel 1 Rouge	000 ◊ 255	0–100%
	2	Pixel 1 Vert	000 ◊ 255	0–100%
	3	Pixel 1 Bleu	000 ◊ 255	0–100%
	4	Pixel 1 Roue de Couleurs Virtuelles (VCW)	000 ◊ 255	Consultez la section <a href="#">Gamme de Couleurs</a> pour en connaître les valeurs spécifiques
	5	Pixel 2 Rouge	000 ◊ 255	0–100%
	6	Pixel 2 Vert	000 ◊ 255	0–100%
	7	Pixel 2 Bleu	000 ◊ 255	0–100%
	8	Pixel 2 Roue de Couleurs Virtuelles (VCW)	000 ◊ 255	Consultez la section <a href="#">Gamme de Couleurs</a> pour en connaître les valeurs spécifiques

AR3.S	Canal	Fonction	Valeur	Pourcentage/Configuration
	1	Gradateur	000 ◊ 255	0–100%
	2	Rouge	000 ◊ 255	0–100%
	3	Vert	000 ◊ 255	0–100%
	4	Bleu	000 ◊ 255	0–100%
	5	Blanc	000 ◊ 255	0–100%
	6	Ambre	000 ◊ 255	0–100%
	7	Roue de Couleurs Virtuelles (VCW)	000 ◊ 255	Consultez la section <a href="#">Gamme de Couleurs</a> pour en connaître les valeurs spécifiques
	8	Stroboscope Classique	000 ◊ 009 010 ◊ 019 020 ◊ 029 030 ◊ 039 040 ◊ 049 050 ◊ 059 060 ◊ 069 070 ◊ 079 080 ◊ 089 090 ◊ 099 100 ◊ 109 110 ◊ 119 120 ◊ 129 130 ◊ 139 140 ◊ 149 150 ◊ 159 160 ◊ 169 170 ◊ 179 180 ◊ 189 190 ◊ 199 200 ◊ 255	No function 1 Hz 2 Hz 3 Hz 4 Hz 5 Hz 6 Hz 7 Hz 8 Hz 9 Hz 10 Hz 11 Hz 12 Hz 13 Hz 14 Hz 15 Hz 16 Hz 17 Hz 18 Hz 19 Hz 20 Hz

## Sections du Ovation™ C-640FC pour Commande DMX



**Over deze handleiding**

De Ovation™ C-640FC Beknopte Handleiding (BH) bevat basisinformatie over het product, zoals aansluiting, montage, menu-opties en DMX-waarden. Download de gebruikershandleiding op [www.chauvetprofessional.com](http://www.chauvetprofessional.com) voor meer informatie.

**Disclaimer**

De informatie en specificaties in deze BH kunnen zonder voorafgaande kennisgeving worden gewijzigd.

**Veiligheidsinstructies**

- Open het product NIET. Het bevat geen te onderhouden onderdelen.
- KIJK NIET in de lichtbron wanneer het apparaat is ingeschakeld.
- Om onnodige slijtage te elimineren en zijn levensduur te verlengen, gedurende perioden wanneer het product niet wordt gebruikt, moet u het product van de stroom afsluiten door een aardlekschakelaar om te zetten of door het te ontkoppelen.
- LET OP: Bij het verplaatsen van het product uit extreme omgevingen, (bijv. koude vrachtwagen naar warme, vochtige balzaal) kan er condensvorming optreden op de elektronica van het product. Om storingen te vermijden moet het product volledig kunnen acclimatiseren aan de omgeving voordat het op stroom wordt aangesloten.
- LET OP: De behuizing van dit product kan heet zijn wanneer het in bedrijf is.
- Monteer dit product op een plek met voldoende ventilatie, ten minste 50 cm van de aangrenzende oppervlakken.
- Plaats geen ontvlambaar materiaal binnen 50 cm van dit product als het in gebruik is of is aangesloten op het stopcontact.
- GEBRUIK een veiligheidskabel bij het boven het hoofd plaatsen van dit product.
- Gebruik dit product NIET buitenshuis of op een locatie waar stof, grote warmte, water of vochtigheid het kunnen beïnvloeden.
- Gebruik dit product NIET als de behuizing, lenzen of kabels beschadigd lijken.
- Sluit dit product NIET aan op een dimmer of een regelweerstand.
- Sluit dit product UITSLUITEND op een geaard en beveiligd stroomcircuit.
- Gebruik UITSLUITEND de ophang-/montagebeugels of de hendels om dit product te dragen.
- Stop in het geval van ernstige operationele problemen onmiddellijk met het gebruik.
- De maximale omgevingstemperatuur bedraagt 45 °C. Gebruik dit product niet bij hogere temperaturen.

**Contact**

Van buiten de VS, Verenigd Koninkrijk, Ierland, Mexico of België kunt u contact opnemen met de distributeur of om ondersteuning vragen dan wel het product retourneren. Ga naar [www.chauvetprofessional.com](http://www.chauvetprofessional.com) voor contactinformatie.



- Wat is inbegrepen**
- Ovation™ C-640FC
  - Neutrik® powerCON® stroomsnoer
  - 2 Omega-beugels
  - 2 gelframes 135 x 245 mm
  - Garantiekaart
  - Beknopte handleiding

**AC-stroom** Dit product heeft een voeding met automatisch bereik die werkt met een ingangsspanning van 100–240 VAC, 50/60 Hz.



**Om onnodige slijtage te elimineren en zijn levensduur te verlengen, gedurende perioden wanneer het product niet wordt gebruikt, moet u het product van de stroom afsluiten door een aardlekschakelaar om te zetten of door het te ontkoppelen.**

**Power Linking** Er kunnen 9 Ovation™ C-640FC-producten bij 120 VAC of 18 bij 230 VAC worden gekoppeld. Dit aantal niet overschrijden. Power Linking-snoeren kunnen apart aangeschaft worden.

AC-stekker	Aansluiting	Snoer (VS)	Snoer (Europa)	Schroefkleur
	AC Live	Zwart	Bruin	Geel/messing
	AC Neutraal	Wit	Blauw	Zilver
	AC Aarde	Groen/geel	Groen/geel	Groen

- De zekering vervangen**
1. Ontkoppel dit product van de stroom.
  2. Gebruik een kruiskopschroevendraaier nr. 2 en schroef de kap van de zekeringhouder los van de behuizing.
  3. Verwijder de doorgebrande zekering en vervang het met een werkende zekering van hetzelfde type en met dezelfde waarde.
  4. Schroef de kap van de zekeringhouder terug en steek de stekker er weer in.

**DMX-koppeling** De Ovation™ C-640FC kan met een DMX-controller werken met een normale DMX seriële verbinding. Op [www.chauvetprofessional.com](http://www.chauvetprofessional.com) is een DMX-basishandleiding verkrijgbaar.

**DMX-aansluiting** De Ovation™ C-640FC gebruikt een normale DMX-gegevensverbinding voor zijn DMX-persoonlijkheden: **TOUR, TR16, ARC.1, AR1.D, ARC.2, ARC.3, AR3.D, AR3.S, PIX1, PIX3, PX16** en **HSV**. Zie de gebruikershandleiding om te verbinden en te configureren voor DMX-werking.



**Let op: Voor optimale bediening van de 16-bit dimkanalen in de TR16-persoonlijkheid, moet u controleren dat de dimcurve in SET > DIMX is ingesteld naar uit.**

**Master/slave-verbinding** De Ovation™ C-640FC maakt gebruik van de DMX-dataverbinding voor haar Master-/Slave-modus. Zie de gebruikershandleiding om te verbinden en te configureren voor Master/Slave-werking.

## Virtueel kleurenwiel

De Ovation™ C-640FC bevat een nieuwe functie, genaamd het virtuele kleurenwiel (Virtual Color Wheel, VCW). Deze functie is beschikbaar als een losstaande bedieningsmodus voor handmatig gebruik en ook als een bedieningskanaal in elk van de DMX-persoonlijkheden van de producten. Voor eenvoudiger programmering zijn er meer dan dertig voorgemengde kleuren beschikbaar op basis van populaire gelkleuren van . Bij het handmatig selecteren van de kleuren op het virtuele kleurenwiel, verschijnt het betreffende gelnummer op het LED-display voor eenvoudige selectie en gebruiksgemak.

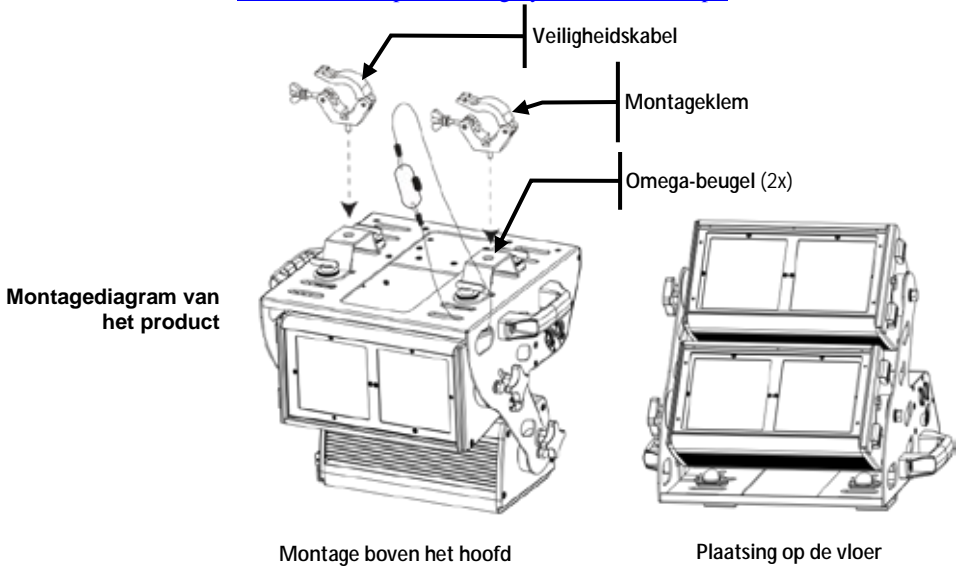
## Kleurenkaart

DMX-kanaalwaarde	Weergave op het display	Rode waarde	Groene waarde	Blauwe waarde	Witte waarde	Gele waarde
000 ○ 005	--	000	000	000	000	000
006 ○ 013	<b>C90Y</b>	255	250	000	000	255
014 ○ 021	<b>R11</b>	255	213	000	020	255
022 ○ 028	<b>R312</b>	255	216	000	000	190
029 ○ 035	<b>R03</b>	240	129	002	072	255
036 ○ 043	<b>R18</b>	245	108	000	035	255
044 ○ 051	<b>R20</b>	255	109	000	000	255
052 ○ 059	<b>R21</b>	170	039	000	000	255
060 ○ 067	<b>R26</b>	245	002	000	000	031
068 ○ 075	<b>R27</b>	255	000	000	002	000
076 ○ 083	<b>R33</b>	042	000	000	245	234
084 ○ 091	<b>R337</b>	155	064	006	165	255
092 ○ 099	<b>R38</b>	226	154	024	045	255
100 ○ 107	<b>R41</b>	255	008	000	010	150
108 ○ 115	<b>R42</b>	255	006	000	024	055
116 ○ 121	<b>R44</b>	255	041	010	130	000
122 ○ 130	<b>R349</b>	255	027	024	000	000
131 ○ 138	<b>R54</b>	173	226	042	080	255
139 ○ 146	<b>R64</b>	000	255	062	099	215
147 ○ 154	<b>R364</b>	000	185	039	255	205
155 ○ 162	<b>R65</b>	000	239	062	205	000
163 ○ 170	<b>R80</b>	000	249	205	011	000
171 ○ 178	<b>R81</b>	000	248	117	108	000
179 ○ 186	<b>R82</b>	000	239	062	205	000
187 ○ 194	<b>R382</b>	020	000	255	000	000
195 ○ 202	<b>R83</b>	000	144	255	000	000
203 ○ 210	<b>R383</b>	000	034	255	031	000
211 ○ 218	<b>R91</b>	000	255	000	084	035
219 ○ 226	<b>R92</b>	043	255	003	255	055
227 ○ 234	<b>R93</b>	063	255	015	125	000
235 ○ 242	<b>R393</b>	000	255	022	070	000
243 ○ 250	<b>R90</b>	005	255	000	000	015
251 ○ 255	--	000	000	000	000	000



Let op: De kleuren hierboven zijn gesimuleerde waargaven van de kleurenitvoer die zijn geproduceerd, in vergelijking met de andere gelijksoortige lichtproducten. Chauvet geeft geen garantie over de nauwkeurigheid van de kleuropbrengst.

**Montage** Lees alvorens dit product te monteren alle [Veiligheidsvoorschriften](#). Controleer of de montageklem het gewicht van het product kan dragen. Ga voor onze Chauvet-serie montageklemmen naar [www.trusst.com/productcategory/accessories-clamps/](http://www.trusst.com/productcategory/accessories-clamps/).



### Beschrijving bedieningspaneel

Toets	Functie
<MENU>	Sluit het huidige menu of functie af
<ENTER>	Activeert het huidige getoonde menu of plaatst de huidige geselecteerde waarde in de geselecteerde functie
<UP>	Navigeert omhoog via het menu of verhoogt de numerieke waarde wanneer in een functie
<DOWN>	Navigeert omlaag via het menu of verlaagt de numerieke waarde wanneer in een functie

**Toegangscodes** Vul na dat gevraagd te worden het volgende toegangscode in door te drukken op:

<UP>, <DOWN>, <UP>, <DOWN>, <ENTER>

Dit toegangscode kan niet gewijzigd worden en moet indien gevraagd ingevuld worden.

## Menu opties

Hoofdniveau	Programmeerniveaus		Beschrijving
STAT	RED	X.000–X.255	Combineert rood, groen, blauw, wit en geel om een aangepaste kleur te maken (0–100%)
	GREN		
	BLUE		
	WHIT		
	AMBR		
	STRB	S.000–S.020	Selecteert de stroboscoopfrequentie (0-20 Hz)
VCW	C90Y		Het virtuele kleurenwiel simuleert de opbrengst van elke gelkleur van . Raadpleeg de sectie <a href="#">kleurenkaart</a> voor specifieke waarden.
	R11		
	R312		
	R03		
	R18		
	R20		
	R21		
	R26		
	R27		
	R33		
	R337		
	R38		
	R41		
	R42		
	R44		
	R349		
	R54		
	R64		
	R364		
	R65		
	R80		
	R81		
	R82		
R382			
R83			
R383			
R91			
R92			
R93			
R393			
R90			

## Menu-opties (vervolg)

Main Level	Programming Levels		Description		
AUTO	AT.01–AT.10	P.000–P.255	Selecteert automatische programma's en automatische programmasnelheid		
	PR.01–PR.10		Selecteert instelbare programma's		
RUN	DMX		Ontvangt DMX-signalen van de DMX-controller		
	SLAV		Ontvangt DMX-signalen van de master		
ADDR	D.001–D.512		Stelt het DMX-startadres in		
PERS	TOUR		12-kanaals: RGBWA, VCW, dimmer, stroboscoop, kleurenmacro, auto/aangepast, dimmersnelheid, autosnelheid		
	TR16		18-kanaals: 16-bit RGBWA, dimmer, VCW, stroboscoop, kleurenmacro, auto/aangepast, dimmersnelheid, autosnelheid		
	ARC.1		4-kanaals: RGB-regeling, VCW		
	AR1.D		5-kanaals: RGB, dimmer, VCW		
	ARC.2		5-kanaals: RGBW-regeling, VCW		
	ARC.3		6-kanaals: RGBWA-regeling, VCW		
	AR3.D		7-kanaals: RGBWA, dimmer, VCW		
	AR3.S		8-kanaals: RGBWA, dimmer, stroboscoop, VCW		
	HSV		3-kanaals: HSV-regeling		
	PIX1		8-kanaals: RGB-pixelregeling, VCW		
	PIX3		12-kanaals: RGBWA-pixelregeling, VCW		
PX16		24-kanaals: 16-bits RGBWA-pixelregeling, dimmer, VCW			
EDIT	PR.01–PR.10	SC.01–SC.30	RED	X.000–X.255	Combineert rood, groen, blauw, wit en geel om een aangepaste kleur te genereren (0–100%)
			GREN		
			BLUE		
			WHIT		
			AMBE		
	STRB	S.000–S.020	Selecteert de stroboscoopfrequentie (0-20 Hz)		
	TIME	T.000–T.255	Definieert de stapduur (langzaam tot snel)		
	FADE	F.000–F.255	Definieert de fadeduur (langzaam tot snel)		

## Menu-opties (vervolg)

Hoofdniveau	Programmeerniveaus				Beschrijving	
SET	KEY	ON			Stelt het vergrendelingslot in (toegangsmodemus)	
		OFF				
	UPLD	***** (Toegangscode invullen)	SEND	OK	Uplodt aangepaste programma's naar andere Ovation™ C-640FC's	
	REST	***** (Toegangscode invullen)	SEND	OK	Reset de armatuur naar standaard fabriekswaarden	
	COLR	OFF			RGB ingesteld naar <b>255</b> = max. opbrengst	
		RGBW			RGB ingesteld naar <b>255</b> = gebalanceerd wit	
		UC.			Universele kleurenbalans	
	DIMX	OFF			Selecteert dimprofielen van snel ( <b>DIM1</b> ) tot langzaam ( <b>DIM4</b> ) of <b>OFF</b> (uit)	
		DIM1				
		DIM2				
		DIM3				
	DERR	SAVE			Gaat verder met de laatste opdracht na verlies van DMX-regeling	
		BLAK			Verduistert de armatuur na verlies van DMX	
	SLCK	OFF			Stelt de toegangsvergrendeling op het hoofdniveau in	
ON						
STRB	SPEC			Selecteert het stroboscoopgedrag die wordt weergegeven in <b>TOUR</b> - en <b>TR16</b> -persoonlijkheden		
	CLAS					
MCON	SELF			Er worden geen DMX-signalen verzonden door de DMX-uitgang		
	MAST			Stuurt DMX-signalen naar Ovation™ C-640FC-slaves		
CAL	***** (Toegangscode invullen)	CAL1	WH.01– WH.11	RED	X.000– X.255	Wijzigt de kleurenmacro's die worden gebruikt in de <b>TOUR</b> - en <b>TR16</b> -persoonlijkheden
				GREN		
				BLUE		
				WHIT		
				AMBE		
CAL2	RED	Definieert de kleurtemperatuur die wordt gebruikt wanneer <b>COLR</b> is ingesteld naar <b>RGBW</b>				
	GREN					
	BLUE					
CALR	***** (Toegangscode invullen)	Herstelt <b>CAL</b> naar de fabrieksinstellingen				

## DMX-waarden

TOUR	Kanaal	Functie	Waarde	Percentage/instelling
	1	Dimmer	000 ó 255	0–100%
	2	Rood	000 ó 255	0–100% (Stapduur indien Custom 1–10 actief is)
	3	Groen	000 ó 255	0–100% (Fadeduur indien Custom 1–10 actief is)
	4	Blauw	000 ó 255	0–100%
	5	Wit	000 ó 255	0–100%
	6	Amber	000 ó 255	0–100%
	7	Virtueel kleurenwiel	000 ó 255	Raadpleeg de sectie <a href="#">kleurenkaart</a> voor specifieke waarden
	8	Kleurenmacro + witbalans	000 ó 010	Geen functie
			011 ó 030	R: 100% G: 0–100% B: 0
			031 ó 050	R: 100%-0 G: 100% B: 0
			051 ó 070	R: 0 G: 100% B: 0–100%
			071 ó 090	R: 0 G: 100%-0 B: 100%
			091 ó 110	R: 0–100% G: 0 B: 100%
			111 ó 130	R: 100% G: 0 B: 100%-0
			131 ó 150	R: 100% G: 0–100% B: 0–100%
			151 ó 170	R: 100%-0 G: 100%-0 B: 100%
			171 ó 200	RGBWA: 100%
			201 ó 205	Wit 1
			206 ó 210	Wit 2
			211 ó 215	Wit 3
			216 ó 220	Wit 4
			221 ó 225	Wit 5
			226 ó 230	Wit 6
			231 ó 235	Wit 7
	236 ó 240	Wit 8		
	241 ó 245	Wit 9		
	246 ó 250	Wit 10		
	251 ó 255	Wit 11		

## DMX-waarden (vervolg)

TOUR (vervolg)	Kanaal	Functie	Waarde	Percentage/instelling
9	Speciale stroboscoop		000 ∘ 009	Geen functie
			010 ∘ 099	Langzaam tot snel
			100 ∘ 109	Geen functie
			110 ∘ 179	Verlichtingseffect, langzaam tot snel
			180 ∘ 189	Geen functie
			190 ∘ 255	Willekeurig
	Klassieke stroboscoop		000 ∘ 009	Geen functie
			010 ∘ 019	1 Hz
			020 ∘ 029	2 Hz
			030 ∘ 039	3 Hz
			040 ∘ 049	4 Hz
			050 ∘ 059	5 Hz
			060 ∘ 069	6 Hz
			070 ∘ 079	7 Hz
			080 ∘ 089	8 Hz
			090 ∘ 099	9 Hz
			100 ∘ 109	10 Hz
			110 ∘ 119	11 Hz
			120 ∘ 129	12 Hz
			130 ∘ 139	13 Hz
	140 ∘ 149	14 Hz		
	150 ∘ 159	15 Hz		
	160 ∘ 169	16 Hz		
	170 ∘ 179	17 Hz		
	180 ∘ 189	18 Hz		
	190 ∘ 199	19 Hz		
	200 ∘ 255	20 Hz		

\*Kies in het  
hoofdmenu de  
stroboscoopfunctie  
onder **SET > STR**,  
kies **SPEC** of **CLAS**



**DMX-waarden (vervolg)**

<b>TOUR (vervolg)</b>	<b>Kanaal</b>	<b>Functie</b>	<b>Waarde</b>	<b>Percentage/instelling</b>
			000 ○ 040	Geen functie
			041 ○ 050	Auto 1
			051 ○ 060	Auto 2
			061 ○ 070	Auto 3
			071 ○ 080	Auto 4
			081 ○ 090	Auto 5
			091 ○ 100	Auto 6
			101 ○ 110	Auto 7
			111 ○ 120	Auto 8
			121 ○ 130	Auto 9
			131 ○ 140	Auto 10
			141 ○ 150	Aangepast 1
			151 ○ 160	Aangepast 2
			161 ○ 170	Aangepast 3
			171 ○ 180	Aangepast 4
			181 ○ 190	Aangepast 5
			191 ○ 200	Aangepast 6
			201 ○ 210	Aangepast 7
			211 ○ 220	Aangepast 8
			221 ○ 230	Aangepast 9
			231 ○ 255	Aangepast 10
	<b>11</b>	<b>Automatische snelheid</b>	000 ○ 255	0–100%
			000 ○ 009	Voorinstelling van de dimmersnelheid vanaf het displaymenu
			010 ○ 029	Lineaire dimmer
			030 ○ 069	Niet-lineaire dimcurve 1 (snelst)
			070 ○ 129	Niet-lineaire dimcurve 2
			130 ○ 189	Niet-lineaire dimcurve 3
			190 ○ 255	Niet-lineaire dimcurve 4 (langzaamst)
	<b>12</b>	<b>Dimmersnelheid</b>		

## DMX-waarden (vervolg)

TR16	Kanaal	Functie	Waarde	Percentage/instelling
	1	Dimmer	000 ó 255	0–100%
	2	Fijne dimmer	000 ó 255	0–100%
	3	Rood	000 ó 255	0–100%
	4	Fijn rood	000 ó 255	0–100%
	5	Groen	000 ó 255	0–100%
	6	Fijn groen	000 ó 255	0–100%
	7	Blauw	000 ó 255	0–100%
	8	Fijn blauw	000 ó 255	0–100%
	9	Wit	000 ó 255	0–100%
	10	Fijn wit	000 ó 255	0–100%
	11	Amber	000 ó 255	0–100%
	12	Fijn geel	000 ó 255	0–100%
	13	Virtueel kleurenwiel	000 ó 255	Raadpleeg de sectie <a href="#">kleurenkaart</a> voor specifieke waarden
	14	Kleurenmacro + witbalans	000 ó 010 011 ó 030 031 ó 050 051 ó 070 071 ó 090 091 ó 110 111 ó 130 131 ó 150 151 ó 170 171 ó 200 201 ó 205 206 ó 210 211 ó 215 216 ó 220 221 ó 225 226 ó 230 231 ó 235 236 ó 240 241 ó 245 246 ó 250 251 ó 255	Geen functie R: 100% G: 0–100% B: 0 R: 100%-0 G: 100% B: 0 R: 0 G: 100% B: 0–100% R: 0 G: 100%-0 B: 100% R: 0–100% G: 0 B: 100% R: 100% G: 0 B: 100%-0 R: 100% G: 0–100% B: 0–100% R: 100%-0 G: 100%-0 B: 100% RGBWA: 100% Wit 1 Wit 2 Wit 3 Wit 4 Wit 5 Wit 6 Wit 7 Wit 8 Wit 9 Wit 10 Wit 11

## DMX-waarden (vervolg)

TR16 (vervolg)	Kanaal	Functie	Waarde	Percentage/instelling
15	Speciale stroboscoop		000 ó 009	Geen functie
			010 ó 099	Langzaam tot snel
			100 ó 109	Geen functie
			110 ó 179	Verlichtingseffect, langzaam tot snel
			180 ó 189	Geen functie
			190 ó 255	Willekeurig
	Klassieke stroboscoop		000 ó 009	Geen functie
			010 ó 019	1 Hz
			020 ó 029	2 Hz
			030 ó 039	3 Hz
			040 ó 049	4 Hz
			050 ó 059	5 Hz
			060 ó 069	6 Hz
			070 ó 079	7 Hz
			080 ó 089	8 Hz
			090 ó 099	9 Hz
			100 ó 109	10 Hz
			110 ó 119	11 Hz
			120 ó 129	12 Hz
			130 ó 139	13 Hz
	140 ó 149	14 Hz		
	150 ó 159	15 Hz		
	160 ó 169	16 Hz		
	170 ó 179	17 Hz		
	180 ó 189	18 Hz		
	190 ó 199	19 Hz		
	200 ó 255	20 Hz		
16	Programma's		000 ó 040	Geen functie
			041 ó 050	Auto 1
			051 ó 060	Auto 2
			061 ó 070	Auto 3
			071 ó 080	Auto 4
			081 ó 090	Auto 5
			091 ó 100	Auto 6
			101 ó 110	Auto 7
			111 ó 120	Auto 8
			121 ó 130	Auto 9
			131 ó 140	Auto 10
			141 ó 150	Aangepast 1
			151 ó 160	Aangepast 2
			161 ó 170	Aangepast 3
			171 ó 180	Aangepast 4
			181 ó 190	Aangepast 5
			191 ó 200	Aangepast 6
			201 ó 210	Aangepast 7
			211 ó 220	Aangepast 8
			221 ó 230	Aangepast 9
	231 ó 255	Aangepast 10		

\*Kies in het  
hoofdmenu de  
stroboscoopfuncti  
e onder **SET >**  
**STR**, kies **SPEC**  
of **CLAS**

**DMX-waarden (vervolg)**

<b>TR16 (vervolg)</b>	<b>Kanaal</b>	<b>Functie</b>	<b>Waarde</b>	<b>Percentage/instelling</b>
	17	Automatische snelheid	000 ó 255	0–100%
	18	Dimmersnelheid	000 ó 009 010 ó 029 030 ó 069 070 ó 129 130 ó 189 190 ó 255	Voorinstelling van de dimmersnelheid vanaf het displaymenu Lineaire dimmer Niet-lineaire dimcurve 1 (snelst) Niet-lineaire dimcurve 2 Niet-lineaire dimcurve 3 Niet-lineaire dimcurve 4 (langzaamst)

<b>ARC.1</b>	<b>Kanaal</b>	<b>Functie</b>	<b>Waarde</b>	<b>Percentage/instelling</b>
	1	Rood	000 ó 255	0–100%
	2	Groen	000 ó 255	0–100%
	3	Blauw	000 ó 255	0–100%
	4	Virtueel kleurenwiel	000 ó 255	Raadpleeg de sectie <a href="#">kleurenkaart</a> voor specifieke waarden

<b>AR1.D</b>	<b>Kanaal</b>	<b>Functie</b>	<b>Waarde</b>	<b>Percentage/instelling</b>
	1	Dimmer	000 ó 255	0–100%
	2	Rood	000 ó 255	0–100%
	3	Groen	000 ó 255	0–100%
	4	Blauw	000 ó 255	0–100%
	5	Virtueel kleurenwiel	000 ó 255	Raadpleeg de sectie <a href="#">kleurenkaart</a> voor specifieke waarden

<b>PIX3</b>	<b>Kanaal</b>	<b>Functie</b>	<b>Waarde</b>	<b>Percentage/instelling</b>
	1	Pixel 1 rood	000 ó 255	0–100%
	2	Pixel 1 groen	000 ó 255	0–100%
	3	Pixel 1 blauw	000 ó 255	0–100%
	4	Pixel 1 wit	000 ó 255	0–100%
	5	Pixel 1 amber	000 ó 255	0–100%
	6	Pixel 1 virtueel kleurenwiel	000 ó 255	Raadpleeg de sectie <a href="#">kleurenkaart</a> voor specifieke waarden
	7	Pixel 2 rood	000 ó 255	0–100%
	8	Pixel 2 groen	000 ó 255	0–100%
	9	Pixel 2 blauw	000 ó 255	0–100%
	10	Pixel 2 wit	000 ó 255	0–100%
	11	Pixel 2 amber	000 ó 255	0–100%
	12	Pixel 2 virtueel kleurenwiel	000 ó 255	Raadpleeg de sectie <a href="#">kleurenkaart</a> voor specifieke waarden

## DMX-waarden (vervolg)

ARC.2	Kanaal	Functie	Waarde	Percentage/instelling
	1	Rood	000 ó 255	0–100%
	2	Groen	000 ó 255	0–100%
	3	Blauw	000 ó 255	0–100%
	4	Wit	000 ó 255	0–100%
	5	Virtueel kleurenwiel	000 ó 255	Raadpleeg de sectie <a href="#">kleurenkaart</a> voor specifieke waarden

ARC.3	Kanaal	Functie	Waarde	Percentage/instelling
	1	Rood	000 ó 255	0–100%
	2	Groen	000 ó 255	0–100%
	3	Blauw	000 ó 255	0–100%
	4	Wit	000 ó 255	0–100%
	5	Amber	000 ó 255	0–100%
	6	Virtueel kleurenwiel	000 ó 255	Raadpleeg de sectie <a href="#">kleurenkaart</a> voor specifieke waarden

AR3.D	Kanaal	Functie	Waarde	Percentage/instelling
	1	Dimmer	000 ó 255	0–100%
	2	Rood	000 ó 255	0–100%
	3	Groen	000 ó 255	0–100%
	4	Blauw	000 ó 255	0–100%
	5	Wit	000 ó 255	0–100%
	6	Amber	000 ó 255	0–100%
	7	Virtueel kleurenwiel	000 ó 255	Raadpleeg de sectie <a href="#">kleurenkaart</a> voor specifieke waarden

## DMX-waarden (vervolg)

AR3.S	Kanaal	Functie	Waarde	Percentage/instelling
	1	Dimmer	000 ó 255	0–100%
	2	Rood	000 ó 255	0–100%
	3	Groen	000 ó 255	0–100%
	4	Blauw	000 ó 255	0–100%
	5	Wit	000 ó 255	0–100%
	6	Amber	000 ó 255	0–100%
	7	Virtueel kleurenwiel	000 ó 255	Raadpleeg de sectie <a href="#">kleurenkaart</a> voor specifieke waarden
	8	Klassieke stroboscoop	000 ó 009	Geen functie
			010 ó 019	1 Hz
			020 ó 029	2 Hz
			030 ó 039	3 Hz
			040 ó 049	4 Hz
			050 ó 059	5 Hz
			060 ó 069	6 Hz
			070 ó 079	7 Hz
			080 ó 089	8 Hz
			090 ó 099	9 Hz
			100 ó 109	10 Hz
			110 ó 119	11 Hz
			120 ó 129	12 Hz
			130 ó 139	13 Hz
			140 ó 149	14 Hz
			150 ó 159	15 Hz
			160 ó 169	16 Hz
	170 ó 179	17 Hz		
	180 ó 189	18 Hz		
	190 ó 199	19 Hz		
	200 ó 255	20 Hz		

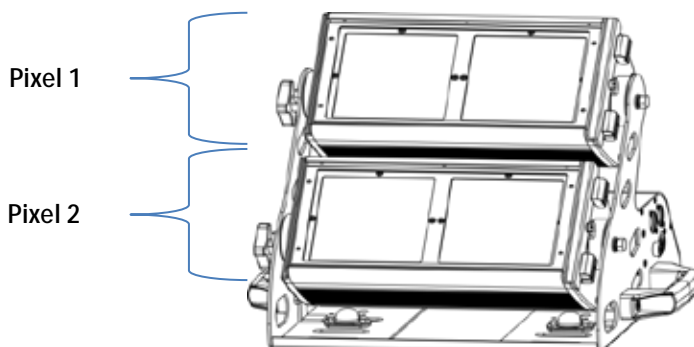
PIX1	Kanaal	Functie	Waarde	Percentage/instelling
	1	Pixel 1 rood	000 ó 255	0–100%
	2	Pixel 1 groen	000 ó 255	0–100%
	3	Pixel 1 blauw	000 ó 255	0–100%
	4	Pixel 1 virtueel kleurenwiel	000 ó 255	Raadpleeg de sectie <a href="#">kleurenkaart</a> voor specifieke waarden
	5	Pixel 2 rood	000 ó 255	0–100%
	6	Pixel 2 groen	000 ó 255	0–100%
	7	Pixel 2 blauw	000 ó 255	0–100%
	8	Pixel 2 virtueel kleurenwiel	000 ó 255	Raadpleeg de sectie <a href="#">kleurenkaart</a> voor specifieke waarden

## DMX-waarden (vervolg)

HSV	Kanaal	Functie	Waarde	Percentage/instelling
	1	Tint	000 ∘ 255	0–100%
	2	Verzadiging	000 ∘ 255	0–100%
	3	Waarde	000 ∘ 255	0–100%

PX16	Kanaal	Functie	Waarde	Percentage/instelling
	1	Dimmer	000 ∘ 255	0–100%
	2	Fijne dimmer	000 ∘ 255	0–100%
	3	Pixel 1 rood	000 ∘ 255	0–100%
	4	Pixel 1 fijn rood	000 ∘ 255	0–100%
	5	Pixel 1 groen	000 ∘ 255	0–100%
	6	Pixel 1 fijn groen	000 ∘ 255	0–100%
	7	Pixel 1 blauw	000 ∘ 255	0–100%
	8	Pixel 1 fijn blauw	000 ∘ 255	0–100%
	9	Pixel 1 wit	000 ∘ 255	0–100%
	10	Pixel 1 fijn wit	000 ∘ 255	0–100%
	11	Pixel 1 geel	000 ∘ 255	0–100%
	12	Pixel 1 fijn geel	000 ∘ 255	0–100%
	13	Pixel 1 virtueel kleurenwiel	000 ∘ 255	Raadpleeg de sectie <a href="#">kleurenkaart</a> voor specifieke waarden
	14	Pixel 2 rood	000 ∘ 255	0–100%
	15	Pixel 2 fijn rood	000 ∘ 255	0–100%
	16	Pixel 2 groen	000 ∘ 255	0–100%
	17	Pixel 2 fijn groen	000 ∘ 255	0–100%
	18	Pixel 2 blauw	000 ∘ 255	0–100%
	19	Pixel 2 fijn blauw	000 ∘ 255	0–100%
	20	Pixel 2 wit	000 ∘ 255	0–100%
	21	Pixel 2 fijn wit	000 ∘ 255	0–100%
	22	Pixel 2 geel	000 ∘ 255	0–100%
	23	Pixel 2 fijn geel	000 ∘ 255	0–100%
	24	Pixel 2 virtueel kleurenwiel	000 ∘ 255	Raadpleeg de sectie <a href="#">kleurenkaart</a> voor specifieke waarden

## Ovation™ C-640FC secties voor DMX-pixelregeling



**Contact Us WORLD HEADQUARTERS - Chauvet****General Information**

Address: 5200 NW 108th Avenue  
 Sunrise, FL 33351  
 Voice: (954) 577-4455  
 Fax: (954) 929-5560  
 Toll free: (800) 762-1084

**Technical Support**

Voice: (954) 577-4455 (Press 4)  
 Fax: (954) 756-8015  
 Email: [tech@chauvetlighting.com](mailto:tech@chauvetlighting.com)

**World Wide Web**

[www.chauvetlighting.com](http://www.chauvetlighting.com)

**UNITED KINGDOM AND IRELAND - Chauvet Europe Ltd.****General Information**

Address: Unit 1C  
 Brookhill Road Industrial Estate  
 Pinxton, Nottingham, UK  
 NG16 6NT  
 Voice: +44 (0)1773 511115  
 Fax: +44 (0)1773 511110

**Technical Support**

Email: [uktech@chauvetlighting.com](mailto:uktech@chauvetlighting.com)

**World Wide Web**

[www.chauvetlighting.co.uk](http://www.chauvetlighting.co.uk)

**MEXICO - Chauvet Mexico****General Information**

Address: Av. Santa Ana 30  
 Parque Industrial Lerma  
 Lerma, Mexico C.P. 52000  
 Voice: +52 (728) 285-5000

**Technical Support**

Email: [servicio@chauvet.com.mx](mailto:servicio@chauvet.com.mx)

**World Wide Web** [www.chauvet.com.mx](http://www.chauvet.com.mx)

**CHAUVET EUROPE - Chauvet Europe BVBA****General Information**

Address: Stokstraat 18  
 9770 Kruishoutem  
 Belgium  
 Voice: +32 9 388 93 97

**Technical Support**

Email: [Eutech@chauvetlighting.eu](mailto:Eutech@chauvetlighting.eu)

**World Wide Web**

[www.chauvetlighting.eu](http://www.chauvetlighting.eu)

Outside the U.S., United Kingdom, Ireland, Mexico, or Benelux, contact the dealer of record. Follow their instructions to request support or to return a product. Visit our website for contact details.



UL 1573  
 CSA C22.2 No. 166  
 E113093

