

NEXUS™

4x4

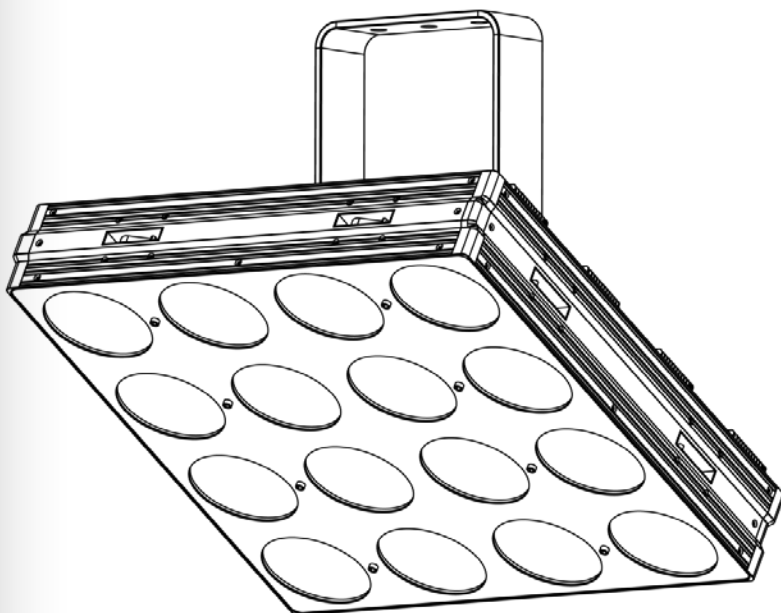
Quick Reference Guide

English EN

Español ES

Français FR

Nederlands NL




CHAUVET[®]
PROFESSIONAL

About this Guide

The Nexus™ 4x4 Quick Reference Guide (QRG) has basic product information such as connection, mounting, menu options, and DMX values. Download the User Manual from www.chauvetprofessional.com for more details.

Disclaimer

The information and specifications contained in this QRG are subject to change without notice.

Safety Notes

- DO NOT open this product. It contains no user-serviceable parts.
- DO NOT look at the light source when the product is on.
- To eliminate unnecessary wear and improve its lifespan, during periods of non-use completely disconnect the product from power via breaker or by unplugging it.
- CAUTION: When transferring product from extreme temperature environments, (e.g. cold truck to warm humid ballroom) condensation may form on the internal electronics of the product. To avoid causing a failure, allow product to fully acclimate to the surrounding environment before connecting it to power.
- CAUTION: This product's housing may be hot when lights are operating.
- Mount this product in a location with adequate ventilation, at least 20 in (50 cm) from adjacent surfaces.
- DO NOT leave any flammable material within 50 cm of this product while operating or connected to power.
- USE a safety cable when mounting this product overhead.
- DO NOT hang product using only the coffin locks.
- DO NOT operate this product outdoors or in any location where dust, excessive heat, water, or humidity may affect it.
- DO NOT operate this product if the housing, lenses, or cables appear damaged.
- DO NOT connect this product to a dimmer or rheostat.
- ONLY connect this product to a grounded and protected circuit.
- ONLY use the hanging/mounting bracket to carry this product.
- In the event of a serious operating problem, stop using immediately.
- The maximum ambient temperature is 104 °F (40 °C). Do not operate this product at higher temperatures.

Contact

Outside the U.S., United Kingdom, Ireland, Mexico, or Benelux, contact your distributor to request support or return a product. Visit www.chauvetprofessional.com for contact information.

What Is Included

- Nexus™ 4x4
- Neutrik® powerCON® power cord
- #5 Allen key with handle
- Warranty card
- Quick Reference Guide

AC Power This product has an auto-ranging power supply that can work with an input voltage range of 100–240 VAC, 50/60 Hz.



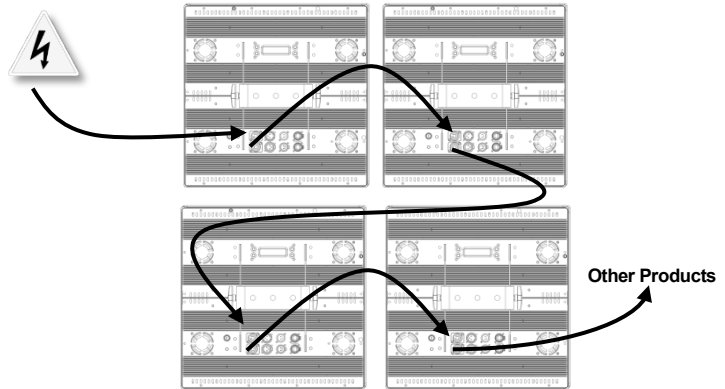
To eliminate unnecessary wear and improve its lifespan, during periods of non-use completely disconnect the product from power via breaker or by unplugging it.

Power Linking The Nexus™ 4x4 supports power linking in the quantities listed below. Do not link more than:

- 4 products at 120 V,
- 7 products at 208 V, or
- 8 products at 230 V.

Power linking cords can be purchased separately.

Power Linking Diagram



AC Plug

Connection	Wire (U.S.)	Wire (Europe)	Screw Color
AC Live	Black	Brown	Yellow/Brass
AC Neutral	White	Blue	Silver
AC Ground	Green/Yellow	Green/Yellow	Green

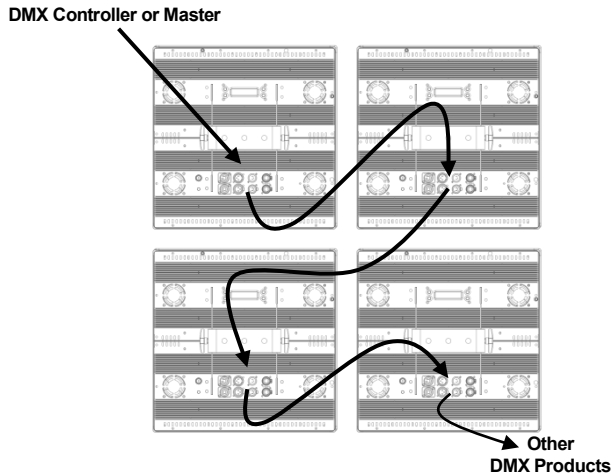
Replacing the Fuse

1. Disconnect the product from power.
2. Using a flat-head screwdriver, unscrew the fuse holder cap from the housing.
3. Remove blown fuse and replace with a good fuse of the same type and rating.
4. Screw the fuse holder cap back in place.
5. Reconnect the product to power.

DMX Linking

The Nexus™ 4x4 works in Master/Slave mode or with a DMX controller using its DMX ports. A DMX Primer is available from www.chauvetprofessional.com.

DMX Linking Diagram



DMX Personalities

The Nexus™ 4x4 has 5 DMX personalities: 3-, 5-, 9-, 48-, and 53-channel. For more information, see the [DMX Values](#) in this QRG, or the User Manual on the Chauvet website at <http://www.chauvetlighting.com/product-manuals-literature/>.

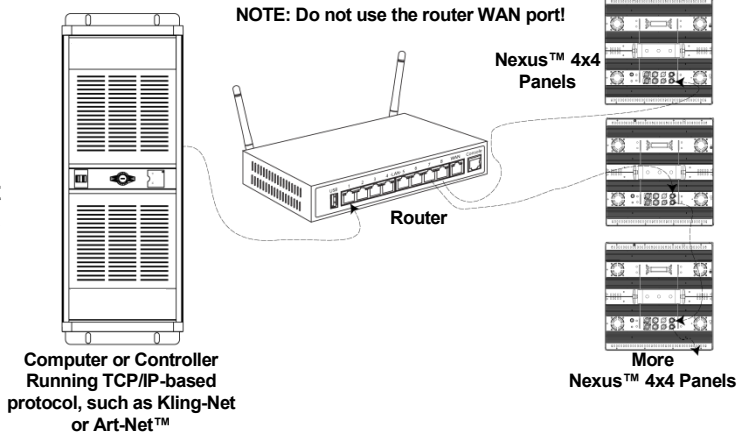
Master/Slave Mode

The Nexus™ 4x4 works in Master/Slave mode. For more information, see the User Manual on the Chauvet website.

Ethernet Connections

Ethernet connections link Nexus™ 4x4 panels to routers and each other through their Neutrik® etherCON® ports. Ethernet connections are for running TCP/IP-based control system, such as Kling-Net and Art-Net™. All Neutrik® etherCON® ports can be either input or output ports, and panels can be linked to each other, but the start of each chain of panels must be a router port.

Ethernet Connections Diagram



Kling-Net Mode

Kling-Net is a network protocol that uses TCP/IP to send DMX over a network and into the Neutrik® etherCON® connection ports of the Nexus™ 4x4 panels. Kling-Net works seamlessly with Kling-Net-supported ArKaos software for configuring and mapping display devices. For more information, see the User Manual on the Chauvet website at <http://www.chauvetlighting.com/product-manuals-literature/>.

Art-Net™ Mode

Art-Net™ is an Ethernet protocol that uses TCP/IP to send DMX signals over a network and into the Neutrik® etherCON® connection ports of the Nexus™ 4x4 panels. Art-Net™ requires configuration through the control panel. For more information, see the [Menu Map](#) in this QRG or the User Manual on the Chauvet website at <http://www.chauvetlighting.com/product-manuals-literature/>.

An Art-Net™ Primer is available from www.chauvetprofessional.com. Art-Net™ is designed and copyrighted by Artistic Licence Holdings Ltd.



Nexus™ 4x4 panels do not work with Art-Net™ controllers sending in Broadcast mode. For information about the controller’s mode, see the controller’s User Manual.

Reset To Factory Defaults

1. Disconnect the Nexus™ 4x4 from power.
2. Press and hold <MENU> and <ENTER> simultaneously.
3. Reconnect the Nexus™ 4x4 to power.
4. Release <MENU> and <ENTER>. The words **Factory reset?** **ENTER = Confirm** show on the display.
5. Press <ENTER>.

Kling-Net Mapper

Kling-Net Mapper is part of the ArKaos software package. It informs the ArKaos software about the layout of the Nexus™ 4x4 products in a process called mapping.

The following section provides step-by-step instructions for mapping the Nexus™ 4x4 products.

Part 1: Confirm Network Connectivity

1. Connect the ArKaos computer and Nexus™ 4x4s to the same network. See Ethernet Connections Diagram.
2. Set all the Nexus™ 4x4s to Kling-Net operating mode.
3. Open the ArKaos Kling-Net Mapper. All the Kling-Net devices populate a list on the left side of the screen in the Connected Devices window.

The Connected Devices Window

It can take up to 20 seconds for all the products to populate the list and the color of the device’s listing provides information about its status.

Colors and Activity	Explanation
Black with an ID number and IP address	There is connectivity and everything is working properly, but the device is not yet mapped.
Green with an ID number and IP address	There is connectivity and everything is working properly, and the device is mapped.
Black to red with no IP address during initial population	The King-Net™ Mapper could not find an IP address for the device, most likely because the system is using an Ethernet switch instead of an Ethernet hub.
Black to red after initial population	The connectivity has been lost.

Part 2: Test Network Connectivity

1. Select the Output dropdown icon from the tool bar at the top of the Kling-Net Mapper screen. One of the options will be Test Pattern.
2. Select Test Pattern. The image to the right of the icon is a small screen, indicating that Test Pattern is the current mode.
3. Select the icon to the right of the Output dropdown icon. One of the options will be Flashing Output Selection.
4. Select Flashing Output Selection. The icon is a faded green square with an arrow, indicating that a flashing green light is the current test pattern.
5. Left click once on an LED display product. The product flashes green.
6. Repeat Step 4 for every product in the list.

Part 3: Map The Products For ArKaos

1. Make sure the Nexus™ Aw 4x4 products are all listed in the Connected Devices window and have flashed when tested. For more information, see [Part 1: Confirm Network Connectivity](#).
2. Click on the first product in the list and drag it onto the mapping image in the center of the screen. A shape representing the display product shows on the mapping image. The product displays the pattern on the mapping image.
3. Drag, rotate, and resize the shape on the mapping image until it is in the position needed for the presentation layout.
4. Repeat Steps 2 thru 3 for every Nexus™ Aw 4x4 product.
5. Complete Parts 1 and 2.
6. Click on **File** in the ArKaos Media Mapper.
7. Click on **Save As**.
8. Save the file.

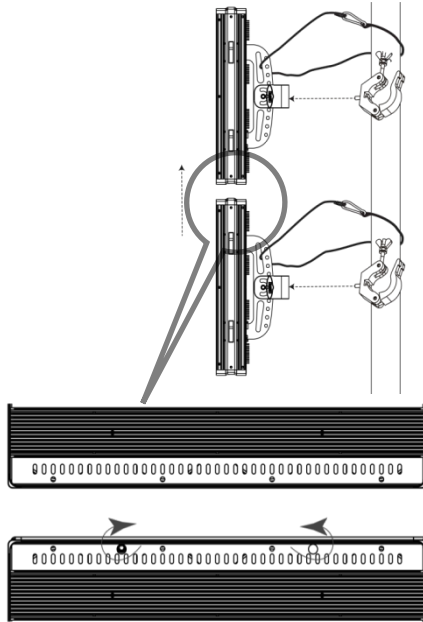


Remember the location of the file because the file must be loaded into the ArKaos software.

Mounting

The Nexus™ 4x4 can be mounted in almost any orientation provided each individual product is secured through the mounting bracket. The coffin locks are for product alignment only and are not weight bearing. **DO NOT** hang product using only the coffin locks.

Product Mounting Diagram



Control Panel Description

Button	Function
<MENU>	Scrolls through the main menu options or exits the current menu option.
<ENTER>	Enters into the highlighted menu option or sets the currently selected value.
<UP>	Navigates up through a list of menu options or values.
<DOWN>	Navigates down through a list of menu options or values.

Home Screen

The home screen on the control panel display shows the current operating state as follows:

- <Master> if the Nexus™ 4x4 is in Standalone or Master mode
- <Slave> if the Nexus™ 4x4 is in Art-Net™, Kling-Net, or DMX mode

Exiting Auto Show And Static Modes

Auto Show and Static modes are not exited automatically when another mode is selected. To exit Auto Show or Static mode, do the following:

1. Go to the **Master/Slave** main level.
2. Select **Slave**.
3. Press <ENTER>.
4. Press <MENU> for 10 seconds.



Setting changes are not activated until the control panel display returns to the home screen. To return the control panel display to the home screen press and hold <MENU> for 10 secs.

Menu Map

Main Level	Programming Levels		Description
Auto Show	Auto 1–12	Show Speed 000–100	Selects an auto program and its speed
	Fade		Selects color fade and its speed
Static	Fixture Color	R	Selects a preset color
		G	
		B	
		GB	
		RB	
		RG	
	RGB		
	Manual Color	R G B	000–255
Dimmer Mode	Off		Sets dimming curve
	Dimmer 1–3		
Back Lite	On		Sets control panel backlight time
	10S		
	20S		
	30S		

Main Level	Programming Levels		Description		
Info	Fixture Hours		Shows total operating hours		
	Version		Shows software version		
	IP Address		Shows IP address		
	Device ID		Shows ID number		
DMX Address	001–512		Sets DMX start channel for DMX mode		
DMX Channel	3Ch		Sets DMX personality for DMX, Art-Net™ mode, and Kling-Net modes		
	5Ch				
	9Ch				
	48Ch				
	53Ch				
Master/Slave	Master		Sets Master mode		
	Slave		Sets Slave mode		
White	R	125–255	Sets the color mix that will be white		
	G				
	B				
Fan Speed	Auto		Sets fan to slow down when product is cool		
	High		Sets fan to run continuously at high speed		
Temperature			Shows the product's internal temperature		
Ethernet Settings	Protocol	Kling-Net		Sets Kling-Net protocol	
		Art-Net	IP Mode	Manual	Sets product to use a manually set IP address
				DHCP	Sets product to use dynamic IP addressing
				Static	Sets product to use its internal IP address
			Net	000–127	Sets the net address of the product
			Subnet	00–15	Sets the subnet of the product
			Universe		Sets the universe of the product

DMX Values

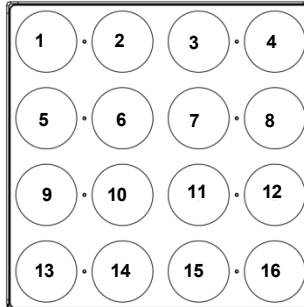
53Ch	Channel	Function	Value	Percent/Setting
1		Red 1	000 ◊ 255	0–100%
		Warm White 1		When values 011–020 in CH. 53 are activated
2		Green 1	000 ◊ 255	0–100%
		Cool White 1		When values 011–020 in CH. 53 are activated
3		Blue 1	000 ◊ 255	0–100%
4		Red 2	000 ◊ 255	0–100%
		Warm White 2		When values 011–020 in CH. 53 are activated
5		Green 2	000 ◊ 255	0–100%
		Cool White 2		When values 011–020 in CH. 53 are activated
6		Blue 2	000 ◊ 255	0–100%
7		Red 3	000 ◊ 255	0–100%
		Warm White 3		When values 011–020 in CH. 53 are activated
8		Green 3	000 ◊ 255	0–100%
		Cool White 3		When values 011–020 in CH. 53 are activated
9		Blue 3	000 ◊ 255	0–100%
10		Red 4	000 ◊ 255	0–100%
		Warm White 4		When values 011–020 in CH. 53 are activated
11		Green 4	000 ◊ 255	0–100%
		Cool White 4		When values 011–020 in CH. 53 are activated
12		Blue 4	000 ◊ 255	0–100%
13		Red 5	000 ◊ 255	0–100%
		Warm White 5		When values 011–020 in CH. 53 are activated
14		Green 5	000 ◊ 255	0–100%
		Cool White 5		When values 011–020 in CH. 53 are activated
15		Blue 5	000 ◊ 255	0–100%
16		Red 6	000 ◊ 255	0–100%
		Warm White 6		When values 011–020 in CH. 53 are activated
17		Green 6	000 ◊ 255	0–100%
		Cool White 6		When values 011–020 in CH. 53 are activated
18		Blue 6	000 ◊ 255	0–100%
19		Red 7	000 ◊ 255	0–100%
		Warm White 7		When values 011–020 in CH. 53 are activated

53Ch	Canal	Función	Valor	Porcentaje/Configuración
41		Verde 14	000 ó 255	0–100%
		Blanco Frio 14		Cuando los valores 011–020 en el C. 53 están activados
42		Azul 14	000 ó 255	0–100%
43		Rojo 15	000 ó 255	0–100%
		Blanco Cálido 15		Cuando los valores 011–020 en el C. 53 están activados
44		Verde 15	000 ó 255	0–100%
		Blanco Frio 15		Cuando los valores 011–020 en el C. 53 están activados
45		Azul 15	000 ó 255	0–100%
46		Rojo 16	000 ó 255	0–100%
		Blanco Cálido 16		Cuando los valores 011–020 en el C. 53 están activados
47		Verde 16	000 ó 255	0–100%
		Blanco Frio 16		Cuando los valores 011–020 en el C. 53 están activados
48		Azul 16	000 ó 255	0–100%
49		Programas Automáticos	000 ó 010	Sin función
			011 ó 030	Auto 1
			031 ó 050	Auto 2
			051 ó 070	Auto 3
			071 ó 090	Auto 4
			091 ó 110	Auto 5
			111 ó 130	Auto 6
			131 ó 150	Auto 7
			151 ó 170	Auto 8
			171 ó 190	Auto 9
			191 ó 210	Auto 10
			211 ó 230	Auto 11
			231 ó 255	Auto 12
50		Velocidad Automática	000 ó 255	Cuando Auto 1–12 en el C. 49 están activados
51		Atenuador	000 ó 255	0–100%
52		Estroboscopio	000 ó 010	Sin función
			011 ó 255	0–20 Hz
53		Velocidad Atenuador	000 ó 010	Preconfigura la velocidad del atenuador desde la pantalla de menú
			011 ó 020	Modo blanco cálido/frío Encendido (mantener durante 5 segundos)
			021 ó 030	Modo blanco cálido/frío Apagado (mantener durante 5 segundos)
			031 ó 051	Sin función
			052 ó 101	Atenuador lineal
			102 ó 152	Curva de atenuación no-lineal 1 (la más rápida)
			153 ó 203	Curva de atenuación no-lineal 2
204 ó 255	Curva de atenuación no-lineal 3 (la más lenta)			

48Ch	Canal	Función	Valor	Porcentaje/Configuración
	1	Rojo 1	000 ó 255	0–100%
	2	Verde 1	000 ó 255	0–100%
	3	Azul 1	000 ó 255	0–100%
	4	Rojo 2	000 ó 255	0–100%
	5	Verde 2	000 ó 255	0–100%
	6	Azul 2	000 ó 255	0–100%
	7	Rojo 3	000 ó 255	0–100%
	8	Verde 3	000 ó 255	0–100%
	9	Azul 3	000 ó 255	0–100%
	10	Rojo 4	000 ó 255	0–100%
	11	Verde 4	000 ó 255	0–100%
	12	Azul 4	000 ó 255	0–100%
	13	Rojo 5	000 ó 255	0–100%
	14	Verde 5	000 ó 255	0–100%
	15	Azul 5	000 ó 255	0–100%
	16	Rojo 6	000 ó 255	0–100%
	17	Verde 6	000 ó 255	0–100%
	18	Azul 6	000 ó 255	0–100%
	19	Rojo 7	000 ó 255	0–100%
	20	Verde 7	000 ó 255	0–100%
	21	Azul 7	000 ó 255	0–100%
	22	Rojo 8	000 ó 255	0–100%
	23	Verde 8	000 ó 255	0–100%
	24	Azul 8	000 ó 255	0–100%
	25	Rojo 9	000 ó 255	0–100%
	26	Verde 9	000 ó 255	0–100%
	27	Azul 9	000 ó 255	0–100%
	28	Rojo 10	000 ó 255	0–100%
	29	Verde 10	000 ó 255	0–100%
	30	Azul 10	000 ó 255	0–100%
	31	Rojo 11	000 ó 255	0–100%
	32	Verde 11	000 ó 255	0–100%
	33	Azul 11	000 ó 255	0–100%
	34	Rojo 12	000 ó 255	0–100%
	35	Verde 12	000 ó 255	0–100%
	36	Azul 12	000 ó 255	0–100%
	37	Rojo 13	000 ó 255	0–100%
	38	Verde 13	000 ó 255	0–100%
	39	Azul 13	000 ó 255	0–100%
	40	Rojo 14	000 ó 255	0–100%
	41	Verde 14	000 ó 255	0–100%
	42	Azul 14	000 ó 255	0–100%
	43	Rojo 15	000 ó 255	0–100%
	44	Verde 15	000 ó 255	0–100%
	45	Azul 15	000 ó 255	0–100%

48Ch	Canal	Función	Valor	Porcentaje/Configuración
	46	Rojo 16	000 ó 255	0–100%
	47	Verde 16	000 ó 255	0–100%
	48	Azul 16	000 ó 255	0–100%

Disposición de Píxeles para los Modos de 48 y 53 Canales



9Ch	Canal	Función	Valor	Porcentaje/Configuración
	1	Atenuador	000 ó 255	0–100%
	2	Rojo	000 ó 255	0–100%
		Blanco Cálido		Cuando los valores 011–020 en el C. 9 están activados
	3	Verde	000 ó 255	0–100%
		Blanco Frio 1		Cuando los valores 011–020 en el C. 9 están activados
	4	Azul	000 ó 255	0–100%
	5	Estroboscopio	000 ó 010	Sin función
			011 ó 255	0–20 Hz

9Ch	Canal	Función	Valor	Porcentaje/Configuración
6		Macro de Color + Equilibrio de Blancos	000 ó 010	Sin función
			011 ó 030	R: 100% G: 0–100% B: 0
			031 ó 050	R: 100%–0 G: 100% B: 0
			051 ó 070	R: 0 G: 100% B: 0–100%
			071 ó 090	R: 0 G: 100%–0 B: 100%
			091 ó 110	R: 0–100% G: 0 B: 100%
			111 ó 130	R: 100% G: 0 B: 100%–0
			131 ó 150	R: 100% G: 0–100% B: 0–100%
			151 ó 170	R: 100%–0 G: 100%–0 B: 100%
			171 ó 200	R: 100% G: 100% B: 100%
			201 ó 205	Blanco 1
			206 ó 210	Blanco 2
			211 ó 215	Blanco 3
			216 ó 220	Blanco 4
			221 ó 225	Blanco 5
			226 ó 230	Blanco 6
			231 ó 235	Blanco 7
236 ó 240	Blanco 8			
241 ó 245	Blanco 9			
246 ó 250	Blanco 10			
251 ó 255	Blanco 11			
7		Programas Automáticos	000 ó 010	Sin función
			011 ó 030	Auto 1
			031 ó 050	Auto 2
			051 ó 070	Auto 3
			071 ó 090	Auto 4
			091 ó 110	Auto 5
			111 ó 130	Auto 6
			131 ó 150	Auto 7
			151 ó 170	Auto 8
			171 ó 190	Auto 9
			191 ó 210	Auto 10
			211 ó 230	Auto 11
			231 ó 255	Auto 12
8		Velocidad Automática	000 ó 255	Cuando Auto 1–12 en el C. 7 están activados
9		Velocidad Atenuador	000 ó 010	Preconfigura la velocidad del atenuador desde la pantalla de menú
			011 ó 020	Modo blanco cálido/frío encendido (mantener durante 5 segundos)
			021 ó 030	Modo blanco cálido/frío Apagado (mantener durante 5 segundos)
			031 ó 051	Sin función
			052 ó 101	Atenuador lineal
			102 ó 152	Curva de atenuación no-lineal 1 (la más rápida)
			153 ó 203	Curva de atenuación no-lineal 2
			204 ó 255	Curva de atenuación no-lineal 3 (la más lenta)

5Ch	Canal	Función	Valor	Porcentaje/Configuración
	1	Atenuador	000 ó 255	0–100%
	2	Rojo	000 ó 255	0–100%
	3	Verde	000 ó 255	0–100%
	4	Azul	000 ó 255	0–100%
	5	Estroboscopio	000 ó 010 011 ó 255	Sin función 0–20 Hz

3Ch	Canal	Función	Valor	Porcentaje/Configuración
	1	Rojo	000 ó 255	0–100%
	2	Verde	000 ó 255	0–100%
	3	Azul	000 ó 255	0–100%

A Propos de ce Manuel

Le Manuel de Référence (MR) du Nexus™ 4x4 reprend des informations de base sur cet appareil notamment en matière de montage, d'options de menu et de valeurs DMX. Veuillez télécharger le Manuel de l'Utilisateur à partir du site internet www.chauvetprofessional.com pour plus de détails.

Clause de non Responsabilité

Les informations et caractéristiques contenues dans ce MR sont sujettes à changement sans préavis.

Consignes de Sécurité

- NE PAS ouvrir cet appareil. Il ne contient aucune pièce réparable par l'utilisateur.
- NE PAS exposer directement les yeux à la source de lumière lorsque le produit est allumé.
- Durant les périodes de non-utilisation, pour éviter toute usure inutile et pour prolonger la durée de vie, déconnectez-entièrement l'appareil en le débranchant de l'alimentation électrique ou en coupant le disjoncteur.
- ATTENTION: Lorsque l'appareil est transféré d'un environnement à température extrême à un autre (par exemple d'un camion froid vers une salle de bal chaude et humide), de la condensation peut se former sur les composants électriques internes. Pour éviter de causer des dommages, laissez l'appareil s'acclimater entièrement au milieu environnant avant de le mettre sous tension.
- ATTENTION : Le boîtier de ce produit peut devenir chaud lorsque les lumières sont en fonctionnement.
- Installez cet appareil dans un endroit bien ventilé à au moins 50 cm (20 po) des surfaces adjacentes.
- NE PAS laisser de matière inflammable à moins de 50 cm de cet appareil lorsqu'il est en fonctionnement ou tout simplement branché.
- UTILISEZ un câble de sécurité lors du montage de cet appareil en hauteur.
- NE PAS suspendre cet appareil uniquement avec les verrous de type « coffin lock ».
- NE faites PAS fonctionner cet appareil en extérieur ou à tout endroit où de la poussière, une chaleur excessive, de l'eau ou de l'humidité pourraient l'endommager.
- NE PAS utiliser cet appareil si le boîtier, les lentilles ou les câbles paraissent endommagés.
- Ne connectez jamais l'appareil à un variateur ou un rhéostat.
- Cet appareil DOIT être relié à un circuit mis à la terre et protégé.
- Utilisez TOUJOURS le support de suspension/fixation pour supporter l'appareil.
- En cas de sérieux problèmes de fonctionnement, arrêtez l'appareil immédiatement.
- La température maximale ambiante est de 40 °C (104 °F). Ne faites pas fonctionner cet appareil à des températures plus élevées.

**Nous
Contacter**

En dehors des États-Unis, du Royaume-Uni, de l'Irlande, du Mexique, et du Benelux, contactez votre fournisseur si vous avez besoin d'assistance ou pour retourner un appareil. Veuillez consulter le site internet www.chauvetprofessional.com pour obtenir des informations pour nous contacter.

**Ce Qui est
Inclus**

- Nexus™ 4x4
- Cordon d'alimentation Neutrik® powerCON®
- Fiche de garantie
- Clé Allen de diamètre 5 avec poignée
- Manuel de Référence

**Alimentation
CA**

Ce produit est doté d'une alimentation universelle prenant en charge toute tension d'entrée comprise entre 100 et 240 VCA, 50/60 Hz.

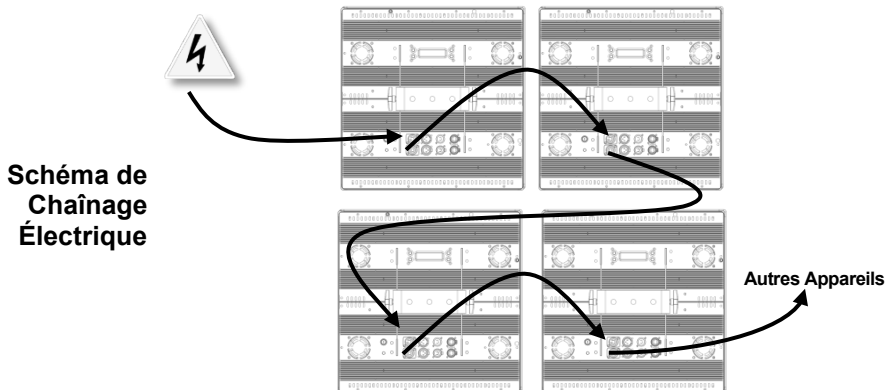


Durant les périodes de non-utilisation, pour éviter toute usure inutile et pour prolonger la durée de vie, déconnectez-entièrement l'appareil en le débranchant de l'alimentation électrique ou en coupant le disjoncteur.

Chaînage Électrique Le Nexus™ 4x4 prend en charge le chaînage électrique en nombre indiqué ci-dessous. Ne dépassez pas les quantités indiquées jusqu'à:

- 4 appareils sur du 120 V,
- 7 appareils sur du 208 V, ou
- 8 appareils sur du 230 V.

Les câbles de chaînage électrique peuvent être achetés séparément.



Prise CA

Connexion	Câble (États-Unis)	Câble (Europe)	Couleur de la Vis
Conducteur CA	Noir	Marron	Jaune/Cuivré
Neutre CA	Blanc	Bleu	Argenté
Terre CA	Vert/Jaune	Vert/Jaune	Vert

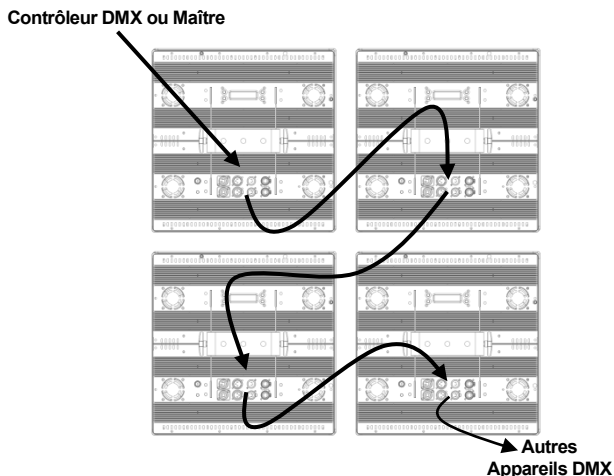
Remplacement du Fusible

1. Débranchez l'appareil de la prise.
2. À l'aide d'un tournevis à tête plate, dévissez le couvercle du porte-fusible.
3. Remplacez le fusible obsolète par un fusible neuf équivalent.
4. Revissez le couvercle du porte-fusible.
5. Rebranchez l'unité.

Chaînage DMX

Le Nexus™ 4x4 peut fonctionner en mode Maître/Esclave ou avec un contrôleur DMX en utilisant ses ports DMX. Une introduction au DMX est disponible sur le site internet www.chauvetprofessional.com.

Schéma de Chaînage DMX



Personnalités DMX

Le Nexus™ 4x4 dispose de 5 personnalités DMX : avec 3, 5, 9, 48 ou 53 canaux. Pour plus d'informations, veuillez consulter la section Affectations et valeurs dans ce MR ou le Manuel de l'Utilisateur sur le site de Chauvet à l'adresse <http://www.chauvetlighting.com/product-manuals-literature/>.

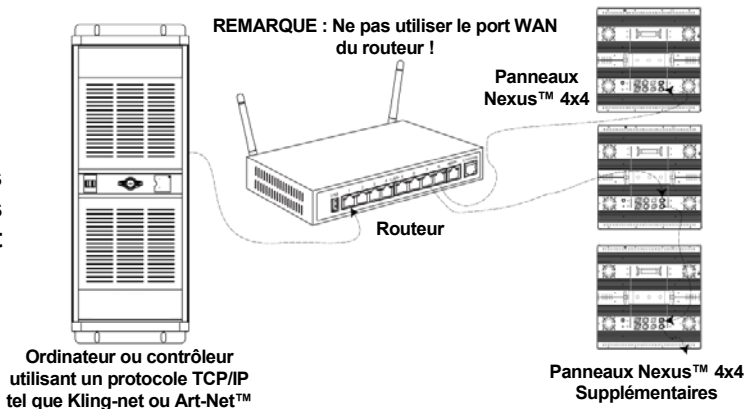
Mode Maître/Esclave

Le Nexus™ 4x4 peut également fonctionner en mode Maître/Esclave. Pour plus d'informations, veuillez consulter le Manuel de l'Utilisateur sur le site internet à l'adresse.

Connexions Ethernet

Les connexions Ethernet permettent de relier des panneaux Nexus™ 4x4 à des routeurs et entre-eux par le biais de leurs ports Neutrik® etherCON®. Les connexions Ethernet sont utilisées pour faire fonctionner les systèmes de contrôle basés sur le protocole TCP/IP; tel que Kling-Net et Art-Net™. Chaque port Neutrik® etherCON® peut soit faire office d'entrée ou de sortie et les panneaux peuvent être reliés les uns aux autres. Cependant le démarrage de toute chaîne de panneaux doit être un port de routeur.

Schéma des Connexions Ethernet



Mode Kling-Net

Kling-Net est un protocole réseau qui utilise le protocole TCP/IP pour envoyer des signaux DMX sur un réseau et vers les ports de connexion Neutrik® etherCon® des panneaux Nexus™ 4x4. Kling-Net fonctionne de manière transparente avec le logiciel ArKaos avec prise en charge de Kling-Net pour la configuration et le mappage des appareils d'affichage. Pour plus d'informations, veuillez consulter le Manuel de l'Utilisateur sur le site internet à l'adresse <http://www.chauvetlighting.com/product-manuals-literature/>.

Mode Art-Net™

Art-Net™ est un protocole Ethernet qui utilise le protocole TCP/IP pour envoyer des signaux DMX sur un réseau et vers les ports de connexion Neutrik® etherCON® des panneaux Nexus™ 4x4. Art-Net™ nécessite d'effectuer une configuration via le panneau de commande. Pour plus d'informations, veuillez consulter la section [Plan du Menu](#) dans ce MR ou le Manuel de l'Utilisateur sur le site de Chauvet à l'adresse.

Une introduction à Art-Net™ est disponible sur le site internet www.chauvetprofessional.com. Art-Net™ est conçu et protégé par droits d'auteur par Artistic Licence Holdings Ltd.



Les panneaux Nexus™ 4x4 ne fonctionnent pas avec les contrôleurs Art-Net™ en mode Broadcast. Pour plus d'informations sur le mode du contrôleur, consultez le Manuel de l'Utilisateur du contrôleur.

Réinitialisation aux Paramètres par Défaut d'Usine

1. Débranchez le Nexus™ 4x4.
2. Appuyez et maintenez simultanément les boutons <MENU> et <ENTER>.
3. Rebranchez le Nexus™ 4x4.
4. Relâchez les boutons <MENU> et <ENTER> L'écran affiche le message **Factory reset? ENTER = Confirm**.
5. Appuyez sur <ENTER>.

Kling-Net Mapper

Kling-Net Mapper est inclus dans la suite logicielle Arkaos. Il informe le logiciel Arkaos sur la disposition des unités Nexus™ 4x4 lors d'un processus appelé « mappage ».

La section qui suit fournit des instructions étape par étape pour réaliser le mappage des appareils Nexus™ 4x4.

Partie 1 : Confirmer la Connexion au Réseau

1. Connectez l'ordinateur faisant tourner le logiciel Arkaos et les Nexus™ 4x4 au même réseau. Consultez le [Schéma des Connexions Ethernet](#).
2. Paramétrez tous les Nexus™ 4x4 sur le mode Kling-Net.
3. Ouvrez le programme Kling-Net Mapper de ArKaos. Tous les appareils Kling-Net s'affichent dans une liste sur le côté gauche de l'écran dans la fenêtre « Connected Devices » (appareils connectés).

Fenêtre des Appareils Connectés

Il peut être nécessaire d'attendre jusqu'à 20 secondes pour que tous les appareils s'affichent dans la liste et que la couleur de l'entrée de l'appareil dans la liste indique son état.

Couleurs et Activité	Explication
Noir avec un numéro d'identification et une adresse IP	La connexion est établie et tout fonctionne correctement, mais l'appareil n'est pas encore mappé.
Vert avec un numéro d'identification et une adresse IP	La connexion est établie et tout fonctionne correctement, et l'appareil est mappé.
Noir puis rouge sans adresse IP lors du remplissage initial de la liste	L'outil Kling-Net™ Mapper n'a pas pu trouver d'adresse IP pour l'appareil, vraisemblablement parce que le système utilise un répartiteur Ethernet au lieu d'un concentrateur Ethernet.
Noir puis rouge après le remplissage initial de la liste	La connexion a été perdue.

Partie 2 : Tester la Connexion au Réseau

1. Sélectionnez l'icône de liste déroulante Output (sortie) dans la barre d'outils en haut de l'écran de l'outil Kling-Net Mapper. L'une des options disponible est « Test Pattern » (motif de test).
2. Sélectionnez l'option Test Pattern. L'image à la droite de l'icône devient un petit écran qui indique que Test Pattern est le mode actuel.
3. Cliquez sur l'icône située à droite de l'icône de liste déroulante Output. L'une des options disponible est « Flashing Output Selection » (clignotement de la sélection de sortie).
4. Sélectionnez l'option Flashing Output Selection. L'icône devient un carré vert estompé avec une flèche qui indique que le motif de test actuel est « flashing green light » (lumière verte clignotante).
5. Faites un simple clic gauche sur un appareil à affichage LED. L'appareil émet une lumière verte clignotante.
6. Répétez l'Étape 4 pour tous les appareils de la liste.

Partie 3 : Mappage des Appareils pour le Logiciel ArKaos

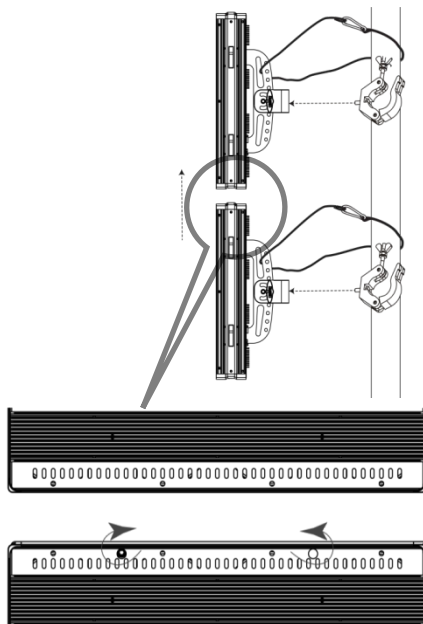
1. Assurez-vous que tous les appareils Nexus™ Aw 4x4 sont affichés dans la fenêtre Connected Devices (appareils connectés) et qu'ils ont bien émis une lumière verte clignotante lorsqu'ils ont été testés. Pour plus d'informations, veuillez consulter la section [Partie 1 : Confirmer la Connexion au Réseau](#).
2. Cliquez sur le premier appareil de la liste et faites-le glisser sur l'image de mappage au centre de l'écran. Une forme représentant l'appareil d'affichage apparaît sur l'image de mappage. L'appareil affiche le motif de l'image de mappage.
3. Déplacez, redimensionnez et faites tourner la forme sur l'image de mappage jusqu'à ce qu'elle soit dans la position souhaitée pour la disposition de la présentation.
4. Répétez les Étapes 2 à 3 pour chaque appareil Nexus™ Aw 4x4.
5. Terminez les Parties 1 et 2.
6. Cliquez sur le menu **File** (Fichier) dans l'outil Arkaos Media Mapper.
7. Cliquez sur **Save As** (Enregistrer Sous).
8. Enregistrez le fichier.



Rappelez-vous de l'emplacement du fichier car il devra être chargé dans le logiciel ArKaos.

Installation Le Nexus™ 4x4 peut être monté dans quasi toutes les positions pour autant que chaque unité soit sécurisée au moyen de la lyre de suspension. Les fermetures papillons ne servent qu'à l'alignement de l'unité. Ne suspendez PAS l'unité UNIQUEMENT par les verrous de type « coffin lock ».

**Schéma de
Montage
de l'Appareil**



Description du Panneau de Commande

Bouton	Fonction
<MENU>	Permet de se déplacer parmi les options du menu principal ou de sortir de l'option de menu courante.
<ENTER>	Permet de rentrer dans l'option de menu sélectionnée ou de confirmer la valeur actuellement affichée.
<UP>	Permet de se déplacer vers le haut dans une liste d'options de menu ou dans une liste de valeurs.
<DOWN>	Permet de se déplacer vers le bas dans une liste d'options de menu ou dans une liste de valeurs.

Écran d'Accueil

L'écran d'accueil de l'affichage du panneau de commande indique l'état de fonctionnement actuel comme suit :

- <Master> si le Nexus™ 4x4 est en mode autonome ou en mode Maître
- <Slave> si le Nexus™ 4x4 est en mode Art-Net™, Kling-Net ou DMX

Sortir des Modes Auto Show et Static

Les modes Auto Show (spectacle automatique) et Static (statique) ne se terminent pas automatiquement lorsqu'un autre mode est sélectionné. Pour sortir des modes Auto Show ou Static, effectuez les actions suivantes :

1. Allez dans l'entrée de menu **Master/Slave** (maître/esclave).
2. Sélectionnez l'entrée **Slave**.
3. Appuyez sur <ENTER>.
4. Appuyez sur <MENU> pendant 10 secondes.



Les changements de paramètres ne sont activés que lorsque l'affichage du panneau de commande revient à l'écran d'accueil. Pour revenir à l'écran d'accueil, appuyez et maintenez la touche <MENU> pendant 10 secondes.

Plan du Menu

Niveau Principal	Niveaux de Programmation		Description
Auto Show	Auto 1–12	Show Speed 000–100	Permet de sélectionner un programme automatique et sa vitesse
	Fade		Permet de sélectionner fondu et sa vitesse
Static	Fixture Color	R	Permet de sélectionner une couleur prédéterminée
		G	
		B	
		GB	
		RB	
		RG	
	RGB		
Manual Color	R G B	000–255	Permet de définir les niveaux de couleur pour un mélange des couleurs manuel
Dimmer Mode	Off		Permet de définir la courbe d'assombrissement
	Dimmer 1–3		

Niveau Principal	Niveaux de Programmation		Description		
Back Lite	On		Permet de définir le temps d'activation du rétro-éclairage du panneau de commande		
	10S				
	20S				
	30S				
Info	Fixture Hours		Affiche le total d'heures de fonctionnement		
	Version		Affiche la version du logiciel		
	IP Address		Affiche l'adresse IP		
	Device ID		Affiche le numéro d'identification		
DMX Address	001–512		Permet de définir le canal de démarrage pour le mode DMX		
DMX Channel	3Ch		Permet de définir la personnalité DMX pour les modes DMX Art-Net™ et Kling-Net		
	5Ch				
	9Ch				
	48Ch				
	53Ch				
Master/Slave	Master		Active le mode maître		
	Slave		Active le mode esclave		
White	R	125–255	Permet de définir le mélange de couleur qui représentera le blanc.		
	G				
	B				
Fan Speed	Auto		Le ventilateur ralentit lorsque l'appareil n'est pas chaud		
	High		Paramètre le ventilateur de manière à ce qu'il fonctionne constamment à vitesse élevée		
Temperature			Affiche la température intérieure de l'appareil		
Ethernet Settings	Protocol	Kling-Net		Permet de définir le protocole Kling-Net	
		Art-Net	IP Mode	Manual	Paramètre l'appareil pour qu'il utilise une adresse IP attribuée manuellement
				DHCP	Paramètre l'appareil pour utiliser un adressage IP dynamique
				Static	Paramètre l'appareil pour qu'il utilise son adresse IP interne
		Net	000–127	Permet de définir l'adresse réseau de l'appareil	
		Subnet	00–15	Permet de définir le sous-réseau de l'appareil	
		Universe		Permet de définir l'univers de l'appareil	

Valeurs DMX

53Ch	Canal	Fonction	Valeur	Pourcentage/Configuration
1		Rouge 1	000 ◊ 255	0–100%
		Blanc Chaud 1		Quand les valeurs 011–020 du canal 53 sont activées
2		Vert 1	000 ◊ 255	0–100%
		Blanc Froid 1		Quand les valeurs 011–020 du canal 53 sont activées
3		Bleu 1	000 ◊ 255	0–100%
4		Rouge 2	000 ◊ 255	0–100%
		Blanc Chaud 2		Quand les valeurs 011–020 du canal 53 sont activées
5		Vert 2	000 ◊ 255	0–100%
		Blanc Froid 2		Quand les valeurs 011–020 du canal 53 sont activées
6		Bleu 2	000 ◊ 255	0–100%
7		Rouge 3	000 ◊ 255	0–100%
		Blanc Chaud 3		Quand les valeurs 011–020 du canal 53 sont activées
8		Vert 3	000 ◊ 255	0–100%
		Blanc Froid 3		Quand les valeurs 011–020 du canal 53 sont activées
9		Bleu 3	000 ◊ 255	0–100%
10		Rouge 4	000 ◊ 255	0–100%
		Blanc Chaud 4		Quand les valeurs 011–020 du canal 53 sont activées
11		Vert 4	000 ◊ 255	0–100%
		Blanc Froid 4		Quand les valeurs 011–020 du canal 53 sont activées
12		Bleu 4	000 ◊ 255	0–100%
13		Rouge 5	000 ◊ 255	0–100%
		Blanc Chaud 5		Quand les valeurs 011–020 du canal 53 sont activées
14		Vert 5	000 ◊ 255	0–100%
		Blanc Froid 5		Quand les valeurs 011–020 du canal 53 sont activées
15		Bleu 5	000 ◊ 255	0–100%
16		Rouge 6	000 ◊ 255	0–100%
		Blanc Chaud 6		Quand les valeurs 011–020 du canal 53 sont activées
17		Vert 6	000 ◊ 255	0–100%
		Blanc Froid 6		Quand les valeurs 011–020 du canal 53 sont activées
18		Bleu 6	000 ◊ 255	0–100%
19		Rouge 7	000 ◊ 255	0–100%
		Blanc Chaud 7		Quand les valeurs 011–020 du canal 53 sont activées

53Ch	Canal	Fonction	Valeur	Pourcentage/Configuration
20		Vert 7	000 ◊ 255	0–100%
		Blanc Froid 7		Quand les valeurs 011–020 du canal 53 sont activées
21		Bleu 7	000 ◊ 255	0–100%
22		Rouge 8	000 ◊ 255	0–100%
		Blanc Chaud 8		Quand les valeurs 011–020 du canal 53 sont activées
23		Vert 8	000 ◊ 255	0–100%
		Blanc Froid 8		Quand les valeurs 011–020 du canal 53 sont activées
24		Bleu 8	000 ◊ 255	0–100%
25		Rouge 9	000 ◊ 255	0–100%
		Blanc Chaud 9		Quand les valeurs 011–020 du canal 53 sont activées
26		Vert 9	000 ◊ 255	0–100%
		Blanc Froid 9		Quand les valeurs 011–020 du canal 53 sont activées
27		Bleu 9	000 ◊ 255	0–100%
28		Rouge 10	000 ◊ 255	0–100%
		Blanc Chaud 10		Quand les valeurs 011–020 du canal 53 sont activées
29		Vert 10	000 ◊ 255	0–100%
		Blanc Froid 10		Quand les valeurs 011–020 du canal 53 sont activées
30		Bleu 10	000 ◊ 255	0–100%
31		Rouge 11	000 ◊ 255	0–100%
		Blanc Chaud 11		Quand les valeurs 011–020 du canal 53 sont activées
32		Vert 11	000 ◊ 255	0–100%
		Blanc Froid 11		Quand les valeurs 011–020 du canal 53 sont activées
33		Bleu 11	000 ◊ 255	0–100%
34		Rouge 12	000 ◊ 255	0–100%
		Blanc Chaud 12		Quand les valeurs 011–020 du canal 53 sont activées
35		Vert 12	000 ◊ 255	0–100%
		Blanc Froid 12		Quand les valeurs 011–020 du canal 53 sont activées
36		Bleu 12	000 ◊ 255	0–100%
37		Rouge 13	000 ◊ 255	0–100%
		Blanc Chaud 13		Quand les valeurs 011–020 du canal 53 sont activées
38		Vert 13	000 ◊ 255	0–100%
		Blanc Froid 13		Quand les valeurs 011–020 du canal 53 sont activées
39		Bleu 13	000 ◊ 255	0–100%

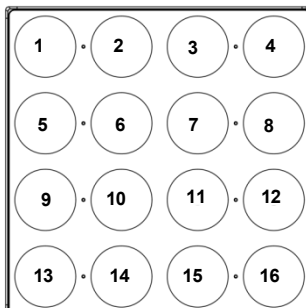
53Ch	Canal	Fonction	Valeur	Pourcentage/Configuration
40		Rouge 14	000 ◊ 255	0–100%
		Blanc Chaud 14		Quand les valeurs 011–020 du canal 53 sont activées
41		Vert 14	000 ◊ 255	0–100%
		Blanc Froid 14		Quand les valeurs 011–020 du canal 53 sont activées
42		Bleu 14	000 ◊ 255	0–100%
43		Rouge 15	000 ◊ 255	0–100%
		Blanc Chaud 15		Quand les valeurs 011–020 du canal 53 sont activées
44		Vert 15	000 ◊ 255	0–100%
		Blanc Froid 15		Quand les valeurs 011–020 du canal 53 sont activées
45		Bleu 15	000 ◊ 255	0–100%
46		Rouge 16	000 ◊ 255	0–100%
		Blanc Chaud 16		Quand les valeurs 011–020 du canal 53 sont activées
47		Vert 16	000 ◊ 255	0–100%
		Blanc Froid 16		Quand les valeurs 011–020 du canal 53 sont activées
48		Bleu 16	000 ◊ 255	0–100%
49		Programmes Automatiques	000 ◊ 010	Pas de fonction
			011 ◊ 030	Auto 1
			031 ◊ 050	Auto 2
			051 ◊ 070	Auto 3
			071 ◊ 090	Auto 4
			091 ◊ 110	Auto 5
			111 ◊ 130	Auto 6
			131 ◊ 150	Auto 7
			151 ◊ 170	Auto 8
			171 ◊ 190	Auto 9
			191 ◊ 210	Auto 10
			211 ◊ 230	Auto 11
231 ◊ 255	Auto 12			
50		Vitesse Auto	000 ◊ 255	Quand Auto 1-12 sont activées du canal 49
51		Gradateur	000 ◊ 255	0–100%
52		Stroboscope	000 ◊ 010	Pas de fonction
			011 ◊ 255	0–20 Hz

53Ch	Canal	Fonction	Valeur	Pourcentage/Configuration
	53	Vitesse du Gradateur	000 ó 010	Vitesse du gradateur prédéfinie depuis le menu
			011 ó 020	Mode Blanc chaud/Blanc froid activé (maintenir pendant 5s)
			021 ó 030	Mode Blanc chaud/Blanc froid désactivé (maintenir pendant 5s)
			031 ó 051	Pas de fonction
			052 ó 101	Gradateur linéaire
			102 ó 152	Courbe de gradation non linéaire 1 (le plus rapide)
			153 ó 203	Courbe de gradation non linéaire 2
			204 ó 255	Courbe de gradation non linéaire 3 (le moins rapide)

48Ch	Canal	Fonction	Valeur	Pourcentage/Configuration
	1	Rouge 1	000 ó 255	0-100%
	2	Vert 1	000 ó 255	0-100%
	3	Bleu 1	000 ó 255	0-100%
	4	Rouge 2	000 ó 255	0-100%
	5	Vert 2	000 ó 255	0-100%
	6	Bleu 2	000 ó 255	0-100%
	7	Rouge 3	000 ó 255	0-100%
	8	Vert 3	000 ó 255	0-100%
	9	Bleu 3	000 ó 255	0-100%
	10	Rouge 4	000 ó 255	0-100%
	11	Vert 4	000 ó 255	0-100%
	12	Bleu 4	000 ó 255	0-100%
	13	Rouge 5	000 ó 255	0-100%
	14	Vert 5	000 ó 255	0-100%
	15	Bleu 5	000 ó 255	0-100%
	16	Rouge 6	000 ó 255	0-100%
	17	Vert 6	000 ó 255	0-100%
	18	Bleu 6	000 ó 255	0-100%
	19	Rouge 7	000 ó 255	0-100%
	20	Vert 7	000 ó 255	0-100%
	21	Bleu 7	000 ó 255	0-100%
	22	Rouge 8	000 ó 255	0-100%
	23	Vert 8	000 ó 255	0-100%
	24	Bleu 8	000 ó 255	0-100%
	25	Rouge 9	000 ó 255	0-100%
	26	Vert 9	000 ó 255	0-100%
	27	Bleu 9	000 ó 255	0-100%
	28	Rouge 10	000 ó 255	0-100%
	29	Vert 10	000 ó 255	0-100%
	30	Bleu 10	000 ó 255	0-100%
	31	Rouge 11	000 ó 255	0-100%
	32	Vert 11	000 ó 255	0-100%

48Ch	Canal	Fonction	Valeur	Pourcentage/Configuration
	33	Bleu 11	000 ó 255	0–100%
	34	Rouge 12	000 ó 255	0–100%
	35	Vert 12	000 ó 255	0–100%
	36	Bleu 12	000 ó 255	0–100%
	37	Rouge 13	000 ó 255	0–100%
	38	Vert 13	000 ó 255	0–100%
	39	Bleu 13	000 ó 255	0–100%
	40	Rouge 14	000 ó 255	0–100%
	41	Vert 14	000 ó 255	0–100%
	42	Bleu 14	000 ó 255	0–100%
	43	Rouge 15	000 ó 255	0–100%
	44	Vert 15	000 ó 255	0–100%
	45	Bleu 15	000 ó 255	0–100%
	46	Rouge 16	000 ó 255	0–100%
	47	Vert 16	000 ó 255	0–100%
	48	Bleu 16	000 ó 255	0–100%

Disposition des Pixels pour les Modes à 48 et 53 Canaux



9Ch	Canal	Fonction	Valeur	Pourcentage/Configuration
	1	Gradateur	000 ó 255	0–100%
	2	Rouge	000 ó 255	0–100%
		Blanc Chaud		Quand les valeurs 011–020 du canal 9 sont activées
	3	Vert	000 ó 255	0–100%
		Blanc Froid		Quand les valeurs 011–020 du canal 9 sont activées
	4	Bleu	000 ó 255	0–100%
	5	Stroboscope	000 ó 010	Pas de fonction
			011 ó 255	

9Ch	Canal	Fonction	Valeur	Pourcentage/Configuration
6		Macros de Couleurs + Balance des Blancs	000 ó 010	Pas de fonction
			011 ó 030	R: 100% V: 0–100% B: 0
			031 ó 050	R: 100%–0 V: 100% B: 0
			051 ó 070	R: 0 V: 100% B: 0–100%
			071 ó 090	R: 0 V: 100%–0 B: 100%
			091 ó 110	R: 0–100% V: 0 B: 100%
			111 ó 130	R: 100% V: 0 B: 100%–0
			131 ó 150	R: 100% V: 0–100% B: 100%
			151 ó 170	R: 100%–0 V: 100%–0 B: 100%
			171 ó 200	R: 100% V: 100% B: 100%
			201 ó 205	Blanc 1
			206 ó 210	Blanc 2
			211 ó 215	Blanc 3
			216 ó 220	Blanc 4
			221 ó 225	Blanc 5
			226 ó 230	Blanc 6
			231 ó 235	Blanc 7
236 ó 240	Blanc 8			
241 ó 245	Blanc 9			
246 ó 250	Blanc 10			
251 ó 255	Blanc 11			
7		Programmes Automatiques	000 ó 010	Pas de fonction
			011 ó 030	Auto 1
			031 ó 050	Auto 2
			051 ó 070	Auto 3
			071 ó 090	Auto 4
			091 ó 110	Auto 5
			111 ó 130	Auto 6
			131 ó 150	Auto 7
			151 ó 170	Auto 8
			171 ó 190	Auto 9
			191 ó 210	Auto 10
			211 ó 230	Auto 11
			231 ó 255	Auto 12
8		Vitesse Auto	000 ó 255	Quand Auto 1-12 sont activées du canal 7
9		Vitesse du Gradateur	000 ó 010	Vitesse du gradateur prédéfinie depuis le menu
			011 ó 020	Mode Blanc chaud/Blanc froid activé (maintenir pendant 5s)
			021 ó 030	Mode Blanc chaud/Blanc froid désactivé (maintenir pendant 5s)
			031 ó 051	Pas de fonction
			052 ó 101	Gradateur linéaire
			102 ó 152	Courbe de gradation non linéaire 1 (le plus rapide)
			153 ó 203	Courbe de gradation non linéaire 2
			204 ó 255	Courbe de gradation non linéaire 3 (le moins rapide)

5Ch	Canal	Fonction	Valeur	Pourcentage/Configuration
	1	Gradateur	000 ó 255	0–100%
	2	Rouge	000 ó 255	0–100%
	3	Vert	000 ó 255	0–100%
	4	Bleu	000 ó 255	0–100%
	5	Stroboscope	000 ó 010 011 ó 255	Pas de fonction 0–20 Hz

3Ch	Canal	Fonction	Valeur	Pourcentage/Configuration
	1	Rouge	000 ó 255	0–100%
	2	Vert	000 ó 255	0–100%
	3	Bleu	000 ó 255	0–100%

Over deze handleiding

De Nexus™ 4x4 Beknopte Handleiding (BH) bevat basisinformatie over het product, zoals aansluiting, montage, menu-opties, en de DMX-waarden. Download de gebruikershandleiding op www.chauvetprofessional.com voor meer informatie.

Disclaimer

De informatie en specificaties in deze BH kunnen zonder voorafgaande kennisgeving worden gewijzigd.

Veiligheidsinstructies

- Open het product NIET. Het bevat geen te onderhouden onderdelen.
- KIJK NIET in de lichtbron wanneer het apparaat is ingeschakeld.
- Om onnodige slijtage te elimineren en zijn levensduur te verlengen, gedurende perioden wanneer het product niet wordt gebruikt, moet u het product van de stroom afsluiten door een aardlekschakelaar om te zetten of door het te ontkoppelen.
- LET OP: Bij het verplaatsen van het product uit extreme omgevingen, (bijv. koude vrachtwagen naar warme, vochtige balzaal) kan er condensvorming optreden op de elektronica van het product. Om storingen te vermijden moet het product volledig kunnen acclimatiseren aan de omgeving voordat het op stroom wordt aangesloten.
- LET OP: De behuizing van dit product kan heet zijn wanneer het in bedrijf is.
- Monteer dit product op een plek met voldoende ventilatie, ten minste 50 cm van de aangrenzende oppervlakken.
- Plaats geen ontvlambaar materiaal binnen 50 cm van dit product als het in gebruik is of is aangesloten op het stopcontact.
- GEBRUIK een veiligheidskabel bij het boven het hoofd plaatsen van dit product.
- Hang het product NIET alleen op aan zijn koffersloten.
- Gebruik dit product NIET buitenshuis of op een locatie waar stof, grote warmte, water of vochtigheid het kunnen beïnvloeden.
- Gebruik dit product NIET als de behuizing, lenzen of kabels beschadigd lijken.
- Sluit dit product NIET aan op een dimmer of een regelweerstand.
- Sluit dit product UITSLUITEND op een geaard en beveiligd stroomcircuit.
- Gebruik UITSLUITEND de ophang-/montagebeugel om dit product te dragen.
- Stop in het geval van ernstige operationele problemen onmiddellijk met het gebruik.
- De maximale omgevingstemperatuur bedraagt 40 °C. Gebruik dit product niet bij hogere temperaturen.

Contact

Van buiten de VS, Verenigd Koninkrijk, Ierland, Mexico of Benelux kunt u contact opnemen met de distributeur of om ondersteuning vragen dan wel het product retourneren. Ga naar www.chauvetprofessional.com voor contactinformatie.

Wat is inbegrepen

- Nexus™ 4x4
- Neutrik® powerCON® stroomsnoer
- Garantiekaart
- Beknopte handleiding
- #5 inbussleutel met handvat

AC-stroom

Dit product heeft een voeding met automatisch bereik die werkt met een ingangsspanning van 100–240 VAC, 50/60 Hz.



Om onnodige slijtage te elimineren en zijn levensduur te verlengen, gedurende perioden wanneer het product niet wordt gebruikt, moet u het product van de stroom afsluiten door een aardlekschakelaar om te zetten of door het te ontkoppelen.

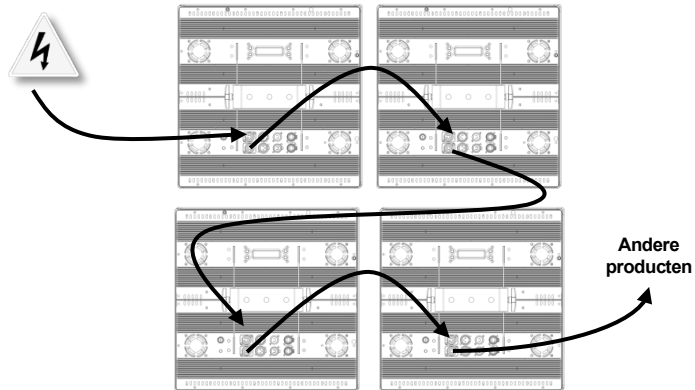
Power Linking

De Nexus™ 4x4 ondersteunt power linking in de aantallen die hieronder zijn genoemd. Nooit koppelingen maken met meer dan:

- 4 producten bij 120 V,
- 7 producten bij 208 V, of
- 8 producten bij 230 V.

Power Linking-snoeren kunnen apart aangeschaft worden.

Power Linking-diagram



AC-stekker

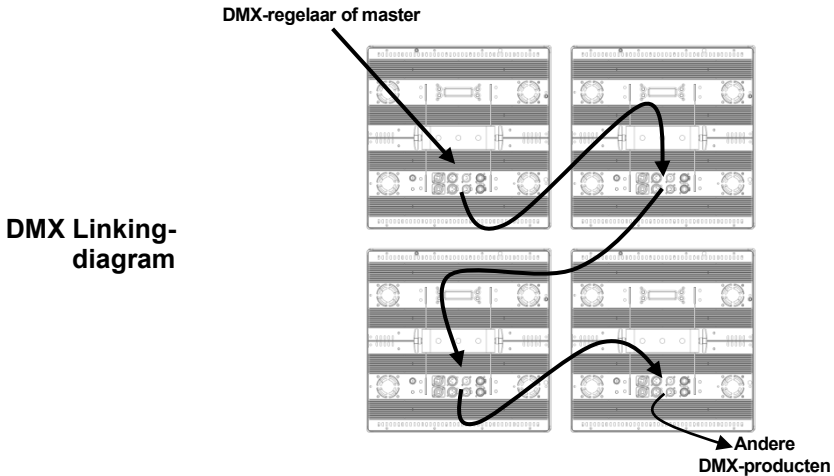
Aansluiting	Snoer (VS)	Snoer (Europa)	Schroefkleur
AC Live	Zwart	Bruin	Geel/messing
AC Neutraal	Wit	Blauw	Zilver
AC Aarde	Groen/geel	Groen/geel	Groen

De zekering vervangen

1. Ontkoppel het apparaat van de stroom.
2. Gebruik een platkopschroevendraaier en schroef de kap van de zekeringhouder los van de behuizing.
3. Verwijder de doorgebrande zekering en vervang het met een werkende zekering van hetzelfde type en met dezelfde waarde.
4. Schroef de kap van de zekeringhouder terug.
5. Sluit het product weer aan op de stroom.

DMX-koppeling

De Nexus™ 4x4 werkt in master/slave-modus of door middel van zijn DMX-poorten met een DMX-regelaar. Op www.chauvetprofessional.com is een DMX-basishandleiding verkrijgbaar.



DMX- persoonlijkheden

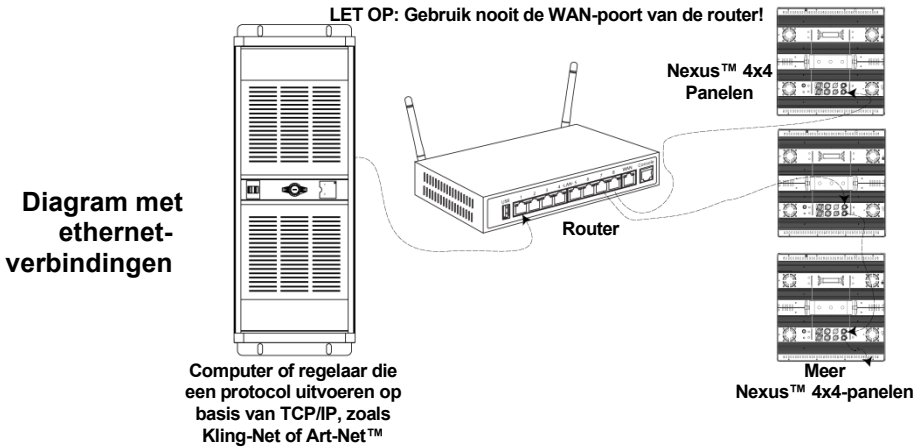
De Nexus™ 4x4 heeft 5 DMX-persoonlijkheden: 3-, 5-, 9-, 48-, en 53-kanalen. Zie voor meer informatie de sectie [DMX-waarden](#) in en deze beknopte handleiding of de gebruikershandleiding op de website van Chauvet op <http://www.chauvetlighting.com/product-manuals-literature/>.

Master/Slave- modus

De Nexus™ 4x4 werkt in master/slave-modus. Voor meer informatie, raadpleegt u de handleiding op de website van Chauvet.

Ethernet- verbindingen

Ethernetverbindingen koppelen Nexus™ 4x4-panelen aan routers en elkaar via hun Neutrik® etherCON®-poorten. Ethernetverbindingen zijn voor het uitvoeren van een regelsysteem op basis van TCP/IP, zoals Kling-Net en Art-Net™. Alle Neutrik® etherCON®-poorten kunnen ingangs- of uitgangspoorten zijn en panelen kunnen aan elkaar worden gekoppeld, maar het begin van elke keten van panelen moet een routerpoort zijn.



Kling-Net-modus

Kling-Net is een networkprotocol dat TCP/IP gebruikt om DMX te verzenden over een netwerk en naar de Neutrik® etherCON® verbindingspoorten van de Nexus™ 4x4-panelen. Kling-Net werkt naadloos samen met Kling-Net-ondersteunde ArKaos-software voor het configureren en in kaart brengen van displayapparaten. Voor meer informatie, raadpleegt u de gebruikershandleiding op de website van Chauvet <http://www.chauvetlighting.com/product-manuals-literature/>.

Art-Net™-modus

Art-Net™ is een ethernetprotocol dat TCP/IP gebruikt om DMX-signalen te verzenden over een netwerk en naar de Neutrik® etherCON® verbindingspoorten van de Nexus™ 4x4-panelen. Art-Net™ vereist configuratie door het bedieningspaneel. Zie voor meer informatie de sectie [Menu map](#) in en deze beknopte handleiding of de gebruikershandleiding op de website van Chauvet.

Op www.chauvetprofessional.com is een Art-Net™-basishandleiding verkrijgbaar. Art-Net™ is ontworpen door Artistic Licence Holdings Ltd en valt onder haar auteursrecht.



Nexus™ 4x4-panels werken niet met Art-Net™-regelaars die uitzenden in de Broadcast-modus. Voor meer informatie over de modus van de regelaar kunt u de gebruikershandleiding van de regelaar raadplegen.

Herstellen naar de fabrieksstandaard

1. Ontkoppel de Nexus™ 4x4 van de stroom.
2. Houd <MENU> en <ENTER> tegelijkertijd ingedrukt.
3. Sluit de Nexus™ 4x4 weer aan op de stroom.
4. Laat <MENU> en <ENTER> los. De woorden **Factory reset?** **ENTER = Confirm** worden op het display getoond.
5. Druk op <ENTER>.

Kling-Net Mapper

Kling-Net Mapper is onderdeel van het-softwarepakket. Het informeert de ArKaos-software over de layout van de Nexus™ 4x4-producten in een proces dat mapping wordt genoemd.

De volgende sectie bevat stapsgewijze instructies voor het mappen van de Nexus™ 4x4-producten.

Onderdeel 1: Netwerkconnectiviteit bevestigen

1. Sluit de ArKaos computer en Nexus™ 4x4's aan op hetzelfde netwerk. Zie [Diagram met ethernet-verbindingen](#).
2. Stel alle Nexus™ 4x4's in naar de Kling-Net-bedrijfsmodus.
3. Open de ArKaos Kling-Net Mapper. Alle Kling-Net apparaten bevolken een lijst aan de linkerzijde van het scherm in het venster Verbonden apparaten.

Het venster Verbonden apparaten (Connected Devices)

Het kan tot wel 20 seconden duren voordat alle producten de lijst bevolken en de kleur van het apparaat in de lijst biedt informatie over zijn status.

Kleuren en activiteit	Uitleg
Zwart met een ID-nummer en IP-adres	Er is connectiviteit en alles werkt goed, maar het apparaat is nog niet in kaart gebracht.
Groen met een ID-nummer en IP-adres	Er is connectiviteit en alles werkt goed en het apparaat is in kaart gebracht.
Zwart naar rood zonder IP-adres tijdens de eerste bevolking van de lijst.	De King-Net™ Mapper kon geen IP-adres voor het apparaat vinden, waarschijnlijk omdat het systeem een Ethernet-switch gebruikt in plaats van een Ethernet-hub.
Zwart naar rood na eerste bevolking van de lijst.	De connectiviteit is verloren gegaan.

Onderdeel 2: Netwerkconnectiviteit testen

1. Selecteer het keuzepictogram van de uitgangen vanuit de menubalk bovenaan het Kling-Net Mapper-scherf. Een van de opties is het testpatroon.
2. Kies testpatroon (Test Pattern). De afbeelding aan de rechterzijde van het pictogram is een klein scherm, wat aangeeft dat het testpatroon de huidige modus is.
3. Kies het pictogram aan de rechterzijde van het keuzepictogram van de uitgang. Een van de opties is de knipperende uitgangselectie.
4. Kies de knipperende uitgangselectie. Het pictogram is een verbleekt groen vierkantje met een pijl, wat aangeeft dat een knipperend groen lampje het huidige testpatroon is.
5. Klik met de linker muisknop op een LED-displayproduct. Het product knippert heen.
6. Herhaal stap 4 voor elk product in de lijst.

**Onderdeel 3:
Breng de
producten in
kaart voor
ArKaos**

1. Controleer dat de Nexus™ Aw 4x4-producten allemaal zijn vermeld in het venster Verbonden apparaten en dat het na het testen heeft geknipperd. Zie voor meer informatie [Onderdeel 1: Netwerkconnectiviteit bevestigen](#).
2. Klik op het eerste product in de lijst en sleep het naar de mapping-afbeelding midden in het scherm. Er wordt een vorm getoond op de mapping-afbeelding die lijkt op het displayproduct. Het product toont het patroon op de mapping-afbeelding.
3. Sleep, roteer en dimensioneer de vorm op de mapping-afbeelding totdat het in de positie is die nodig is voor de layout van de presentatie.
4. Herhaal stappen 2 en 3 voor elk Nexus™ Aw 4x4-product.
5. Voltooi onderdelen 1 en 2.
6. Klik op **File** in de ArKaos Media Mapper.
7. Klik op **Save As**.
8. Sla het bestand op.

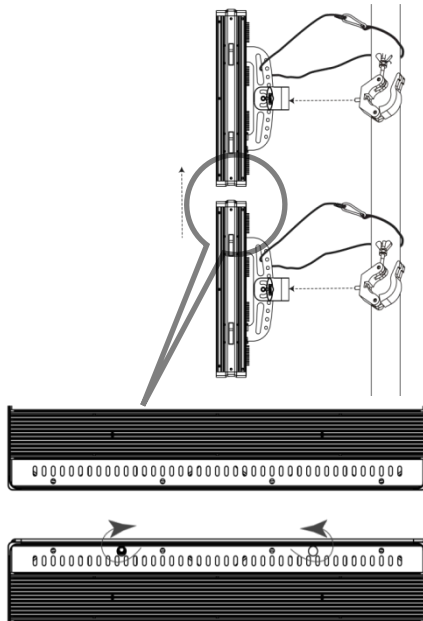


Onthoud de locatie van het bestand omdat het bestand in de ArKaos-software wordt geladen.

Montage

De Nexus™ 4x4 kan in vrijwel elke richting worden gemonteerd, onder de voorwaarde dat elke individueel product wordt bevestigd door de montagebeugel. De koffersloten zijn alleen voor uitlijning van het product en dragen geen last. Hang het product NIET alleen op aan zijn koffersloten.

**Montagediagram
van het product**



**Beschrijving
bedieningspaneel**

Toets	Functie
<MENU>	Bladert door de opties van het hoofdmenu of sluit de huidige menu-optie af.
<ENTER>	Gaat naar een gemarkeerde menu-optie of stelt de momenteel geselecteerde waarde in.
<UP>	Navigeert omhoog door een lijst met menu-opties of -waarden.
<DOWN>	Navigeert omlaag door een lijst met menu-opties of -waarden.

Startscherm Het startscherm op het display van het bedieningspaneel toont de huidige bedieningstoestand als volgt:

- <Master> als de Nexus™ 4x4 in losstaande of master-modus is
- <Slave> als de Nexus™ 4x4 in Art-Net™, Kling-Net of DMX-modus is

**Afsluiten van de
'Auto Show' en
'Static'-modi**

Wanneer een andere modus wordt geselecteerd worden de modi 'Auto Show' en 'Static' niet automatisch afgesloten. Doe het volgende om de 'Auto Show' en 'Static'-modus af te sluiten:

1. Ga naar het hoofdniveau **Master/Slave**.
2. Kies **Slave**.
3. Druk op <ENTER>.
4. Druk 10 seconden op <MENU>.



Instellingswijzigingen worden niet geactiveerd totdat het display van het bedieningspaneel teruggaat naar het startscherm. Om het display van het bedieningspaneel terug te laten gaan naar het startscherm, houd u <MENU> 10 seconden ingedrukt.

Menu Map

Hoofdniveau	Programmeerniveaus		Beschrijving
Auto Show	Auto 1–12	Show Speed 000–100	Selecteert een automatisch programma en zijn snelheid
	Fade		Selecteert kleurfade en zijn snelheid
Static	Fixture Color	R	Selecteert een vooraf ingestelde kleur
		G	
		B	
		GB	
		RB	
		RG	
	RGB		
Manual Color	R G B	000–255	Stelt kleurniveaus in voor handmatig kleurmengingen
Dimmer Mode	Off		Stelt de dimcurve in
	Dimmer 1–3		

Hoofdniveau	Programmeerniveaus		Beschrijving		
Back Lite	On		Stelt de achtergrondverlichting van het bedieningspaneel in		
	10S				
	20S				
	30S				
Info	Fixture Hours		Toont het totale aantal bedrijfsuren		
	Version		Toont de softwareversie		
	IP Address		Toont het IP-adres		
	Device ID		Toont ID-nummer		
DMX Address	001–512		Stelt het DMX-startkanaal in voor DMX-modus		
DMX Channel	3Ch		Stelt de DMX-persoonlijkheid in voor DMX, Art-Net™-modus en Kling-Net-modi		
	5Ch				
	9Ch				
	48Ch				
	53Ch				
Master/Slave	Master		Stelt de master-modus in		
	Slave		Stelt de slave-modus in		
White	R	125–255	Stelt de kleurenmix in die wit zal zijn		
	G				
	B				
Fan Speed	Auto		Stelt de ventilator in om af te remmen wanneer het product koel is		
	High		Stelt de ventilator in om voortdurend bij hoge snelheid te draaien		
Temperature			Toont de inwendige temperatuur van het product		
Ethernet Settings	Protocol	Kling-Net		Stelt het Kling-Net-protocol in	
		Art-Net	IP Mode	Manual	Stelt de producten in om handmatig een IP-adres in te stellen
				DHCP	Stelt de producten in om een dynamisch IP-adres te gebruiken
				Static	Stelt het product in om zijn handmatige IP-adres in te stellen
		Net	000–127	Stelt het netadres van het product in	
		Subnet	00–15	Stelt het subnetadres van het product in	
		Universe		Stelt de universe van het product in	

DMX-waarden

53Ch	Kanaal	Functie	Waarde	Percentage/instelling
1		Rood 1	000 ◊ 255	0–100%
		Warm wit 1		Wanneer waarden 011–020 in CH. 53 zijn geactiveerd
2		Groen 1	000 ◊ 255	0–100%
		Koel wit 1		Wanneer waarden 011–020 in CH. 53 zijn geactiveerd
3		Blaauw 1	000 ◊ 255	0–100%
4		Rood 2	000 ◊ 255	0–100%
		Warm wit 2		Wanneer waarden 011–020 in CH. 53 zijn geactiveerd
5		Groen 2	000 ◊ 255	0–100%
		Koel wit 2		Wanneer waarden 011–020 in CH. 53 zijn geactiveerd
6		Blaauw 2	000 ◊ 255	0–100%
7		Rood 3	000 ◊ 255	0–100%
		Warm wit 3		Wanneer waarden 011–020 in CH. 53 zijn geactiveerd
8		Groen 3	000 ◊ 255	0–100%
		Koel wit 3		Wanneer waarden 011–020 in CH. 53 zijn geactiveerd
9		Blaauw 3	000 ◊ 255	0–100%
10		Rood 4	000 ◊ 255	0–100%
		Warm wit 4		Wanneer waarden 011–020 in CH. 53 zijn geactiveerd
11		Groen 4	000 ◊ 255	0–100%
		Koel wit 4		Wanneer waarden 011–020 in CH. 53 zijn geactiveerd
12		Blaauw 4	000 ◊ 255	0–100%
13		Rood 5	000 ◊ 255	0–100%
		Warm wit 5		Wanneer waarden 011–020 in CH. 53 zijn geactiveerd
14		Groen 5	000 ◊ 255	0–100%
		Koel wit 5		Wanneer waarden 011–020 in CH. 53 zijn geactiveerd
15		Blaauw 5	000 ◊ 255	0–100%
16		Rood 6	000 ◊ 255	0–100%
		Warm wit 6		Wanneer waarden 011–020 in CH. 53 zijn geactiveerd
17		Groen 6	000 ◊ 255	0–100%
		Koel wit 6		Wanneer waarden 011–020 in CH. 53 zijn geactiveerd
18		Blaauw 6	000 ◊ 255	0–100%
19		Rood 7	000 ◊ 255	0–100%
		Warm wit 7		Wanneer waarden 011–020 in CH. 53 zijn geactiveerd

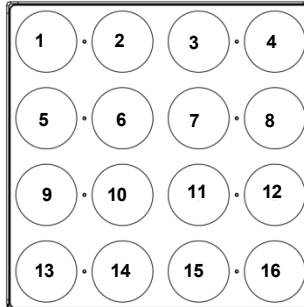
53Ch	Kanaal	Functie	Waarde	Percentage/instelling
20		Groen 7	000 ◊ 255	0–100%
		Koel wit 7		Wanneer waarden 011–020 in CH. 53 zijn geactiveerd
21		Blaauw 7	000 ◊ 255	0–100%
22		Rood 8	000 ◊ 255	0–100%
		Warm wit 8		Wanneer waarden 011–020 in CH. 53 zijn geactiveerd
23		Groen 8	000 ◊ 255	0–100%
		Koel wit 8		Wanneer waarden 011–020 in CH. 53 zijn geactiveerd
24		Blaauw 8	000 ◊ 255	0–100%
25		Rood 9	000 ◊ 255	0–100%
		Warm wit 9		Wanneer waarden 011–020 in CH. 53 zijn geactiveerd
26		Groen 9	000 ◊ 255	0–100%
		Koel wit 9		Wanneer waarden 011–020 in CH. 53 zijn geactiveerd
27		Blaauw 9	000 ◊ 255	0–100%
28		Rood 10	000 ◊ 255	0–100%
		Warm wit 10		Wanneer waarden 011–020 in CH. 53 zijn geactiveerd
29		Groen 10	000 ◊ 255	0–100%
		Koel wit 10		Wanneer waarden 011–020 in CH. 53 zijn geactiveerd
30		Blaauw 10	000 ◊ 255	0–100%
31		Rood 11	000 ◊ 255	0–100%
		Warm wit 11		Wanneer waarden 011–020 in CH. 53 zijn geactiveerd
32		Groen 11	000 ◊ 255	0–100%
		Koel wit 11		Wanneer waarden 011–020 in CH. 53 zijn geactiveerd
33		Blaauw 11	000 ◊ 255	0–100%
34		Rood 12	000 ◊ 255	0–100%
		Warm wit 12		Wanneer waarden 011–020 in CH. 53 zijn geactiveerd
35		Groen 12	000 ◊ 255	0–100%
		Koel wit 12		Wanneer waarden 011–020 in CH. 53 zijn geactiveerd
36		Blaauw 12	000 ◊ 255	0–100%
37		Rood 13	000 ◊ 255	0–100%
		Warm wit 13		Wanneer waarden 011–020 in CH. 53 zijn geactiveerd
38		Groen 13	000 ◊ 255	0–100%
		Koel wit 13		Wanneer waarden 011–020 in CH. 53 zijn geactiveerd
39		Blaauw 13	000 ◊ 255	0–100%
40		Rood 14	000 ◊ 255	0–100%
		Warm wit 14		Wanneer waarden 011–020 in CH. 53 zijn geactiveerd

53Ch	Kanaal	Functie	Waarde	Percentage/instelling
41		Groen 14	000 ó 255	0–100%
		Koel wit 14		Wanneer waarden 011–020 in CH. 53 zijn geactiveerd
42		Blauw 14	000 ó 255	0–100%
43		Rood 15	000 ó 255	0–100%
		Warm wit 15		Wanneer waarden 011–020 in CH. 53 zijn geactiveerd
44		Groen 15	000 ó 255	0–100%
		Koel wit 15		Wanneer waarden 011–020 in CH. 53 zijn geactiveerd
45		Blauw 15	000 ó 255	0–100%
46		Rood 16	000 ó 255	0–100%
		Warm wit 16		Wanneer waarden 011–020 in CH. 53 zijn geactiveerd
47		Groen 16	000 ó 255	0–100%
		Koel wit 16		Wanneer waarden 011–020 in CH. 53 zijn geactiveerd
48		Blauw 16	000 ó 255	0–100%
49		Automatische programma's	000 ó 010	Geen functie
			011 ó 030	Auto 1
			031 ó 050	Auto 2
			051 ó 070	Auto 3
			071 ó 090	Auto 4
			091 ó 110	Auto 5
			111 ó 130	Auto 6
			131 ó 150	Auto 7
			151 ó 170	Auto 8
			171 ó 190	Auto 9
			191 ó 210	Auto 10
			211 ó 230	Auto 11
231 ó 255	Auto 12			
50		Automatische snelheid	000 ó 255	Wanneer CH. 49 Auto 01–12 heeft geactiveerd
51		Dimmer	000 ó 255	0–100%
52		Stroboscoop	000 ó 010	Geen functie
			011 ó 255	0-20 Hz
53		Dimmersnelheid	000 ó 010	Voorinstelling van de dimmersnelheid vanaf het displaymenu
			011 ó 020	WW/CW-modus aan (5 sec. vasthouden)
			021 ó 030	WW/CW-modus uit (5 sec. vasthouden)
			031 ó 051	Geen functie
			052 ó 101	Lineaire dimmer
			102 ó 152	Niet-lineaire dimcurve 1 (snelst)
			153 ó 203	Niet-lineaire dimcurve 2
204 ó 255	Niet-lineaire dimcurve 3 (langzaamst)			

48Ch	Kanaal	Functie	Waarde	Percentage/instelling
	1	Rood 1	000 ◊ 255	0–100%
	2	Groen 1	000 ◊ 255	0–100%
	3	Blauw 1	000 ◊ 255	0–100%
	4	Rood 2	000 ◊ 255	0–100%
	5	Groen 2	000 ◊ 255	0–100%
	6	Blauw 2	000 ◊ 255	0–100%
	7	Rood 3	000 ◊ 255	0–100%
	8	Groen 3	000 ◊ 255	0–100%
	9	Blauw 3	000 ◊ 255	0–100%
	10	Rood 4	000 ◊ 255	0–100%
	11	Groen 4	000 ◊ 255	0–100%
	12	Blauw 4	000 ◊ 255	0–100%
	13	Rood 5	000 ◊ 255	0–100%
	14	Groen 5	000 ◊ 255	0–100%
	15	Blauw 5	000 ◊ 255	0–100%
	16	Rood 6	000 ◊ 255	0–100%
	17	Groen 6	000 ◊ 255	0–100%
	18	Blauw 6	000 ◊ 255	0–100%
	19	Rood 7	000 ◊ 255	0–100%
	20	Groen 7	000 ◊ 255	0–100%
	21	Blauw 7	000 ◊ 255	0–100%
	22	Rood 8	000 ◊ 255	0–100%
	23	Groen 8	000 ◊ 255	0–100%
	24	Blauw 8	000 ◊ 255	0–100%
	25	Rood 9	000 ◊ 255	0–100%
	26	Groen 9	000 ◊ 255	0–100%
	27	Blauw 9	000 ◊ 255	0–100%
	28	Rood 10	000 ◊ 255	0–100%
	29	Groen 10	000 ◊ 255	0–100%
	30	Blauw 10	000 ◊ 255	0–100%
	31	Rood 11	000 ◊ 255	0–100%
	32	Groen 11	000 ◊ 255	0–100%
	33	Blauw 11	000 ◊ 255	0–100%
	34	Rood 12	000 ◊ 255	0–100%
	35	Groen 12	000 ◊ 255	0–100%
	36	Blauw 12	000 ◊ 255	0–100%
	37	Rood 13	000 ◊ 255	0–100%
	38	Groen 13	000 ◊ 255	0–100%
	39	Blauw 13	000 ◊ 255	0–100%
	40	Rood 14	000 ◊ 255	0–100%
	41	Groen 14	000 ◊ 255	0–100%
	42	Blauw 14	000 ◊ 255	0–100%
	43	Rood 15	000 ◊ 255	0–100%
	44	Groen 15	000 ◊ 255	0–100%
	45	Blauw 15	000 ◊ 255	0–100%

48Ch	Kanaal	Functie	Waarde	Percentage/instelling
	46	Rood 16	000 ó 255	0–100%
	47	Groen 16	000 ó 255	0–100%
	48	Blauw 16	000 ó 255	0–100%

Pixel-layout voor 48- en 53-kanaals modi



9Ch	Kanaal	Functie	Waarde	Percentage/instelling
	1	Dimmer	000 ó 255	0–100%
	2	Rood	000 ó 255	0–100%
		Warm wit		Wanneer waarden 011–020 in CH. 9 zijn geactiveerd
	3	Groen	000 ó 255	0–100%
		Koel wit 1		Wanneer waarden 011–020 in CH. 9 zijn geactiveerd
	4	Blauw	000 ó 255	0–100%
	5	Stroboscoop	000 ó 010	Geen functie
			011 ó 255	0-20 Hz

9Ch	Kanaal	Functie	Waarde	Percentage/instelling
6		Kleurenmacro + witbalans	000 ó 010	Geen functie
			011 ó 030	R: 100% G: 0–100% B: 0
			031 ó 050	R: 100%–0 G: 100% B: 0
			051 ó 070	R: 0 G: 100% B: 0–100%
			071 ó 090	R: 0 G: 100%–0 B: 100%
			091 ó 110	R: 0–100% G: 0 B: 100%
			111 ó 130	R: 100% G: 0 B: 100%–0
			131 ó 150	R: 100% G: 0–100% B: 0–100%
			151 ó 170	R: 100%–0 G: 100%–0 B: 100%
			171 ó 200	R: 100% G: 100% B: 100%
			201 ó 205	Wit 1
			206 ó 210	Wit 2
			211 ó 215	Wit 3
			216 ó 220	Wit 4
			221 ó 225	Wit 5
			226 ó 230	Wit 6
			231 ó 235	Wit 7
			236 ó 240	Wit 8
			241 ó 245	Wit 9
			246 ó 250	Wit 10
			251 ó 255	Wit 11
7		Automatische programma's	000 ó 010	Geen functie
			011 ó 030	Auto 1
			031 ó 050	Auto 2
			051 ó 070	Auto 3
			071 ó 090	Auto 4
			091 ó 110	Auto 5
			111 ó 130	Auto 6
			131 ó 150	Auto 7
			151 ó 170	Auto 8
			171 ó 190	Auto 9
			191 ó 210	Auto 10
			211 ó 230	Auto 11
			231 ó 255	Auto 12
8		Automatische snelheid	000 ó 255	Wanneer CH. 7 Auto 01–12 heeft geactiveerd
9		Dimmersnelheid	000 ó 010	Voorinstelling van de dimmersnelheid vanaf het displaymenu
			011 ó 020	WW/CW-modus aan (5 sec. vasthouden)
			021 ó 030	WW/CW-modus uit (5 sec. vasthouden)
			031 ó 051	Geen functie
			052 ó 101	Lineaire dimmer
			102 ó 152	Niet-lineaire dimcurve 1 (snelst)
			153 ó 203	Niet-lineaire dimcurve 2
			204 ó 255	Niet-lineaire dimcurve 3 (langzaamst)

5Ch	Kanaal	Functie	Waarde	Percentage/instelling
	1	Dimmer	000 ó 255	0–100%
	2	Rood	000 ó 255	0–100%
	3	Groen	000 ó 255	0–100%
	4	Blauw	000 ó 255	0–100%
	5	Stroboscoop	000 ó 010 011 ó 255	Geen functie 0–20 Hz

3Ch	Kanaal	Functie	Waarde	Percentage/instelling
	1	Rood	000 ó 255	0–100%
	2	Groen	000 ó 255	0–100%
	3	Blauw	000 ó 255	0–100%

Contact Us **WORLD HEADQUARTERS - Chauvet****General Information**

Address: 5200 NW 108th Avenue
 Sunrise, FL 33351
 Voice: (954) 577-4455
 Fax: (954) 929-5560
 Toll free: (800) 762-1084

Technical Support

Voice: (954) 577-4455 (Press 4)
 Fax: (954) 756-8015
 Email: tech@chauvetlighting.com

World Wide Web

www.chauvetlighting.com

UNITED KINGDOM AND IRELAND - Chauvet Europe Ltd.**General Information**

Address: Unit 1C
 Brookhill Road Industrial Estate
 Pinxton, Nottingham, UK
 NG16 6NT
 Voice: +44 (0)1773 511115
 Fax: +44 (0)1773 511110

Technical Support

Email: uktech@chauvetlighting.com

World Wide Web

www.chauvetlighting.co.uk

MEXICO - Chauvet Mexico**General Information**

Address: Av. Santa Ana 30
 Parque Industrial Lerma
 Lerma, Mexico C.P. 52000
 Voice: +52 (728) 285-5000

Technical Support

Email: servicio@chauvet.com.mx

World Wide Web www.chauvet.com.mx**CHAUVET EUROPE - Chauvet Europe BVBA****General Information**

Address: Stokstraat 18
 9770 Kruishoutem
 Belgium
 Voice: +32 9 388 93 97

Technical Support

Email: Eutech@chauvetlighting.eu

World Wide Web

www.chauvetlighting.eu

Outside the U.S., United Kingdom, Ireland, Mexico, or Benelux, contact the dealer of record. Follow their instructions to request support or to return a product. Visit our website for contact details.

