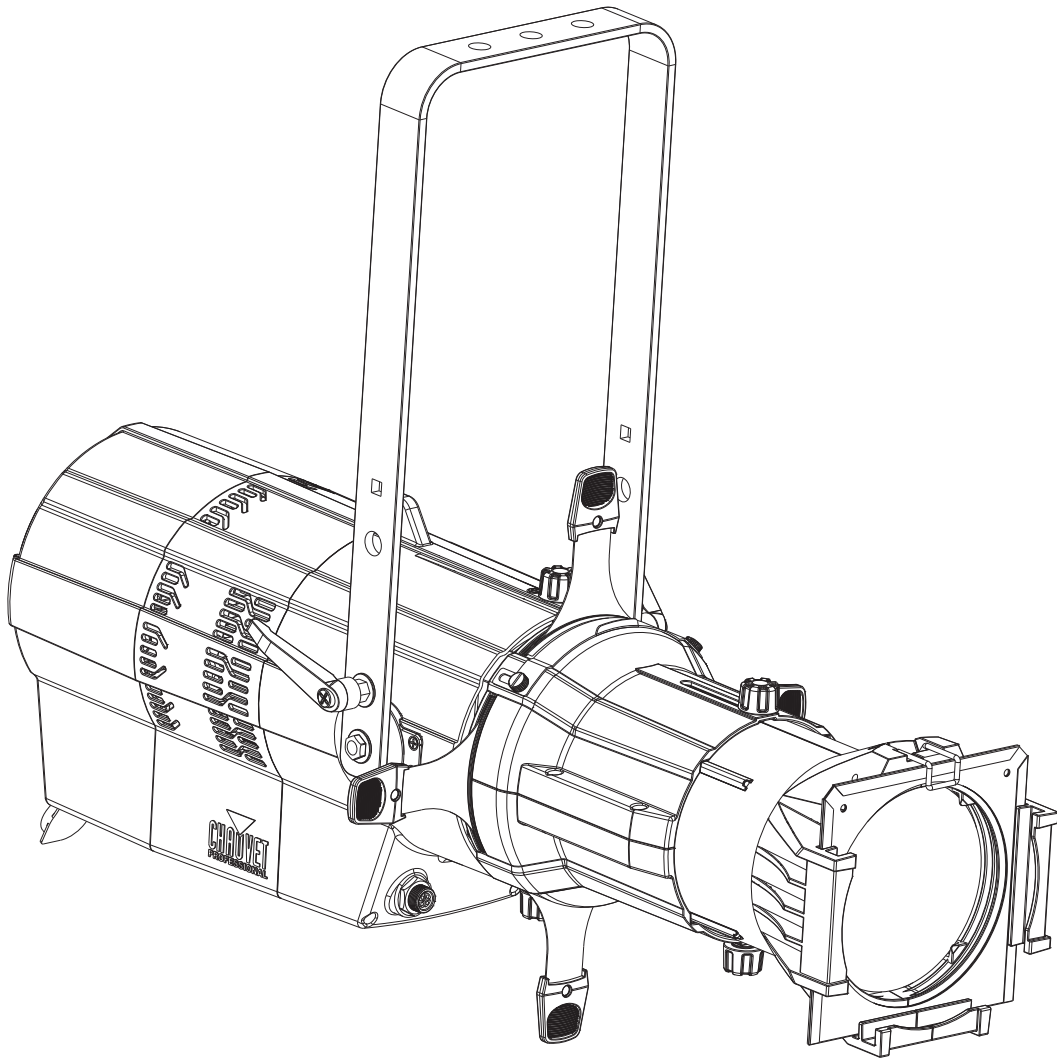


# Ovation

## E-910FC IP

### User Manual



  
**CHAUVET**  
PROFESSIONAL

## Edition Notes

The Ovation E-910FC IP User Manual includes a description, safety precautions, installation, programming, operation and maintenance instructions for the Ovation E-910FC IP.

## Trademarks

CHAUVET, the Chauvet logo and Ovation E-910FC IP are registered trademarks or trademarks of Chauvet & Sons, LLC (d/b/a Chauvet and Chauvet Lighting) in the United States and other countries. Other company and product names and logos referred to herein may be trademarks of their respective companies.

## Copyright Notice

The works of authorship contained in this manual, including, but not limited to, all design, text and images are owned by Chauvet.

© **Copyright 2019 Chauvet & Sons, LLC. All rights reserved.**

Electronically published by Chauvet in the United States of America.

## Manual Use

Chauvet authorizes its customers to download and print this manual for professional information purposes only. Chauvet expressly prohibits the usage, copy, storage, distribution, modification, or printing of this manual or its content for any other purpose without written consent from Chauvet.

## Document Printing

For best results, print this document in color, on letter size paper (8.5 x 11 in), double-sided. If using A4 paper (210 x 297 mm), configure the printer to scale the content accordingly.

## Intended Audience

Any person installing, operating, and/or maintaining this product should completely read through the guide that shipped with the product, as well as this manual, before installing, operating, or maintaining this product.

## Disclaimer

Chauvet believes that the information contained in this manual is accurate in all respects. However, Chauvet assumes no responsibility and specifically disclaims any and all liability to any party for any loss, damage or disruption caused by any errors or omissions in this document, whether such errors or omissions result from negligence, accident or any other cause. Chauvet reserves the right to revise the content of this document without any obligation to notify any person or company of such revision, however, Chauvet has no obligation to make, and does not commit to make, any such revisions. Download the latest version from [www.chauvetprofessional.com](http://www.chauvetprofessional.com).

## Document Revision

This Ovation E-910FC IP User Manual is the 4<sup>th</sup> edition of this document. Go to [www.chauvetprofessional.com](http://www.chauvetprofessional.com) for the latest version.

TABLE OF CONTENTS

<b>1. Before You Begin .....</b>	<b>1</b>
What Is Included .....	1
Claims .....	1
Manual Conventions .....	1
Symbols .....	1
Safety Notes.....	2
Personal Safety.....	2
Mounting and Rigging .....	2
Power and Wiring.....	2
Operation .....	2
Expected LED Lifespan.....	2
<b>2. Introduction .....</b>	<b>3</b>
Description .....	3
Features .....	3
Lens Tube .....	3
Product Overview.....	4
Product Dimensions.....	5
<b>3. Setup .....</b>	<b>6</b>
AC Power .....	6
AC Plug.....	6
Power Linking.....	6
Fuse Replacement.....	6
DMX Linking.....	6
DMX Personalities.....	6
Remote Device Management (RDM).....	7
Master/Slave Connectivity.....	7
Mounting .....	7
Orientation.....	7
Rigging .....	7
Procedure.....	7
Manual Beam Focus Control.....	8
Rotating the Barrel Assembly.....	8
Accessory Slot .....	8
<b>4. Operation .....</b>	<b>9</b>
Control Panel Operation.....	9
Control Options .....	9
Programming.....	9
Configuration (DMX) .....	9
DMX Personalities.....	9
Starting Address.....	9
Menu Map .....	10
DMX Values .....	12
17Ch.....	12
15Ch.....	13
14Ch.....	14
12Ch.....	14
9Ch.....	15
7Ch.....	15
5Ch.....	16
HSV.....	16

Virtual Color Wheel .....	17
Virtual Color Wheel Chart .....	17
Color Temperature Chart .....	17
Configuration (Standalone) .....	18
Focus Mode .....	18
Virtual Color Wheel .....	18
Color Temperature .....	18
Manual Color Mixer .....	18
Auto Programs .....	18
Red Shift .....	18
Gobo Rotator .....	18
Dimmer Curve .....	18
Master/Slave .....	19
Dimmer Profiles .....	19
White Balance .....	19
LED Frequency .....	19
Fan Mode .....	19
Back Light .....	19
Key Lock .....	20
Gobo Power .....	20
System Information .....	20
Factory Reset .....	20
<b>5. Technical Information .....</b>	<b>21</b>
Product Maintenance .....	21
<b>6. Technical Specifications .....</b>	<b>22</b>
Photometrics Charts .....	23
<b>Returns .....</b>	<b>30</b>
<b>Contact Us .....</b>	<b>31</b>

# 1. Before You Begin

## What Is Included

- Ovation E-910FC IP
- Seetronic Powerkon IP65 Power Cord
- Quick Reference Guide

## Claims

Carefully unpack the product immediately and check the container to make sure all the parts are in the package and are in good condition.





If the box or the contents (the product and included accessories) appear damaged from shipping, or show signs of mishandling, notify the carrier immediately, not Chauvet. Failure to report damage to the carrier immediately may invalidate your claim. In addition, keep the box and contents for inspection.

For other issues, such as missing components or parts, damage not related to shipping, or concealed damage, file a claim with Chauvet within 7 days of delivery.

## Manual Conventions

Convention	Meaning
1–512	A range of values
50/60	A set of values of which only one can be chosen
<SET>	A button on the product's control panel
Settings	A product function or a menu option

## Symbols

Symbol	Meaning
	Electrical warning. Not following these instructions may cause electrical damage to the product, accessories, or the user.
	Critical installation, configuration, or operation information. Not following these instructions may make the product not work, cause damage to the product, or cause harm to the operator.
	Important installation or configuration information. The product may not function correctly if this information is not used.
	Useful information.



**Any reference to data or power connections in this manual assumes the use of Seetronic IP-rated cables.**



**The term “DMX” used throughout this manual refers to the USITT DMX512-A digital data transmission protocol.**

## FCC Compliance

This device complies with Part 15 Part B of the FCC Rules. Operation is subject to the following two conditions:

1. This device may not cause harmful interference, and
2. This device must accept any interference received, including interference that may cause undesired operation.

Any changes or modifications not expressly approved by the party responsible for compliance could void the user's authority to operate the equipment.

## Safety Notes

Read all the following safety notes before working with this product. These notes contain important information about the installation, usage, and maintenance of this product.



**This product contains no user-serviceable parts. Any reference to servicing in this User Manual will only apply to properly trained, certified technicians. Do not open the housing or attempt any repairs.**



**All applicable local codes and regulations apply to proper installation of this product.**

## Personal Safety

- Avoid direct eye exposure to the light source while the product is on.
- Always disconnect the product from the power source before cleaning or replacing the fuse.
- Always connect the product to a grounded circuit to avoid the risk of electrocution.
- Do not touch the product's housing when operating because it may be very hot.

## Mounting and Rigging

- Do not submerge this product (IP65). Temporary outdoor operation is fine.
- When using this product in an outdoor environment, use IP65 (or higher)-rated power and data cables. Secure unused power and data ports with attached IP65 covers.
- CAUTION: When transferring product from extreme temperature environments, (e.g., cold truck to warm, humid ballroom) condensation may form on the internal electronics of the product. To avoid causing a failure, allow product to fully acclimate to the surrounding environment before connecting it to power.
- Not for permanent outdoor installation in locations with extreme environmental conditions. This includes, but is not limited to:
  - Exposure to a marine/saline environment (within 3 miles of a saltwater body of water).
  - Locations where the normal high or low temperatures exceed the temperature ranges in this manual.
  - Locations that are prone to flooding or being buried in snow.
  - Areas where the product will be subjected to extreme radiation or caustic substances.
- Mount this product in a location with adequate ventilation, at least 20 in (50 cm) from adjacent surfaces.
- Make sure there are no flammable materials close to the product when operating.
- When hanging this product, always secure to a fastening device using a safety cable.

## Power and Wiring

- Always ensure that the product is connected to the proper voltage in accordance with the specifications in this manual or on the product's specification label.
- Never connect the product to a dimmer pack or rheostat.
- Never disconnect this product by pulling or tugging on the power cable.

## Operation

- Do not operate this product if there is damage on the housing, lenses, or cables. Have the damaged parts replaced by an authorized technician at once.
- Do not cover the ventilation slots when operating to avoid internal overheating.
- The maximum ambient temperature is 113 °F (45 °C). Do not operate the product at higher temperatures.
- The minimum startup temperature is -4°F (-20°C). Do not start the product at lower temperatures.
- The minimum ambient temperature is -22°F (-30°C). Do not operate the product at lower temperatures.
- In the event of a serious operation problem, stop using this product immediately!



**If your Chauvet product requires service, contact Chauvet Technical Support.**

## Expected LED Lifespan

LEDs gradually decline in brightness over time, primarily because of heat. LEDs that are arranged in clusters experience higher operating temperatures than single LEDs. For this reason, operating clustered LEDs at their fullest intensity significantly reduces the LEDs' lifespan. Under normal conditions, this lifespan is 40,000 to 50,000 hours. If extending this lifespan is vital, lower the operating temperature by improving the ventilation around the product, thus reducing the ambient temperature. In addition, limiting the overall projection intensity may extend the LEDs' lifespan.

## 2. Introduction

### Description

The Ovation E-910FC IP takes the high-performance, full RGBA-Lime color-mixing LED engine of the Ovation E-910FC outdoors. Chauvet's standard shutter assembly and lenses lend familiarity and ease of use to this IP65 ERS-style fixture that offers color temperature presets of 2800 to 6500 K that match the output of a tungsten source to perfection. Control options include full bit dimming (per color and master), selectable PWM, RDM, and on-board dimming curves selection. Also accessible is Chauvet's virtual color wheel that matches popular color gels.

### Features

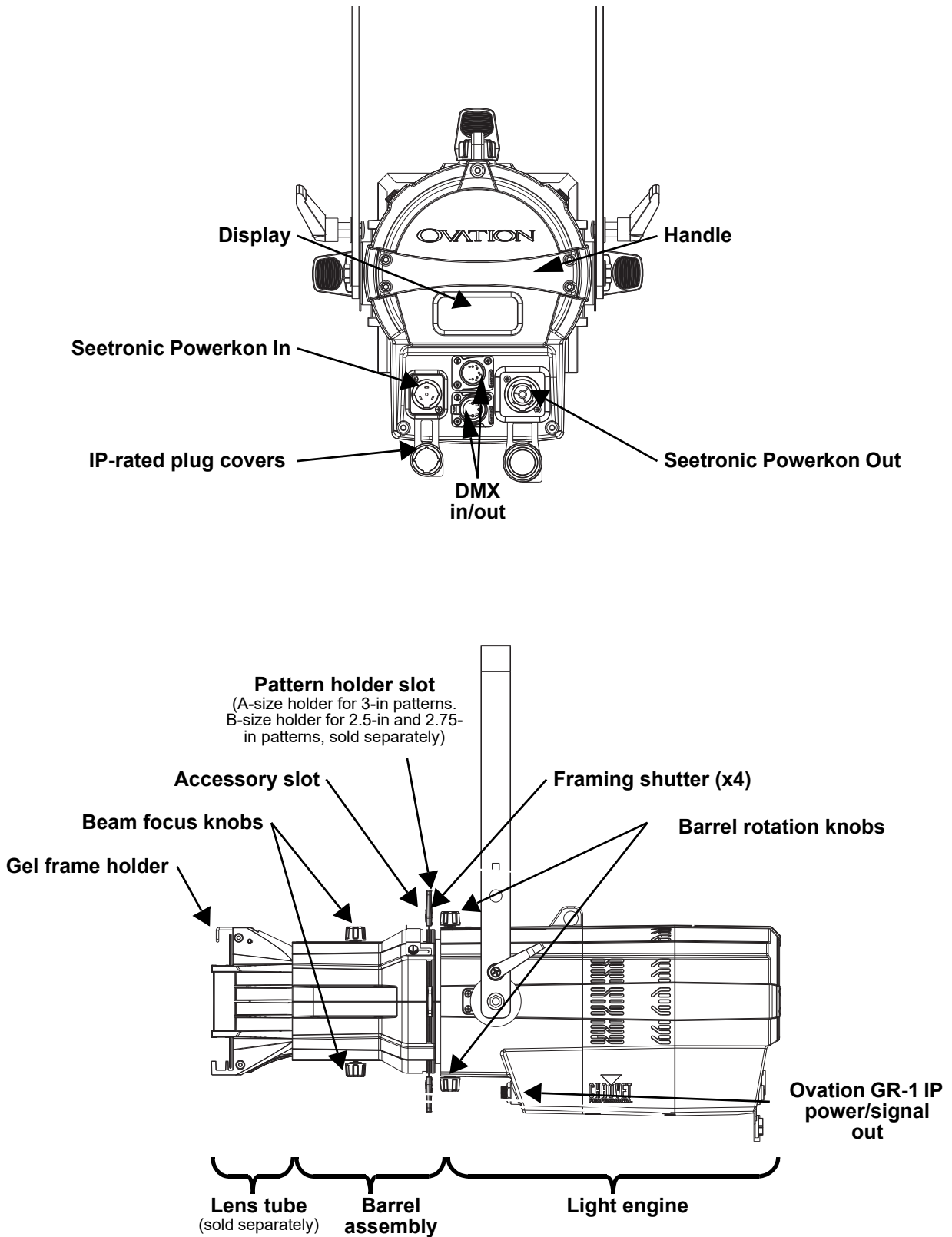
- Operating modes:
  - HSV: hue, saturation, value, gobo rotation
  - 5-channel: dimmer, virtual color wheel, color temperature, gobo rotation, red shift
  - 6-channel: RGBAL control, gobo rotation
  - 9-channel: dimmer, RGBAL control, strobe, gobo rotation, red shift
  - 12-channel: 16-bit dimmer, RGBAL control, strobe, virtual color wheel, color temperature, gobo rotation, red shift
  - 14-channel: dimmer, RGBAL control, strobe, virtual color wheel, color temperature, auto programs, auto speed, dimmer speed mode, gobo rotation, red shift
  - 15-channel: 16-bit RGBAL and dimmer, strobe, gobo rotation, red shift
  - 17-channel: 16-bit RGBAL and dimmer, strobe, virtual color wheel, color temperature, gobo rotation, red shift
- Full-color LED (RGBAL) ERS-style lighting fixture for theatre, film, and production
- Fully IP65-rated for seasonal use indoors or out
- Use of our standard Ovation beam shaping shutters and lenses lends familiarity and ease of use to the fixture
- Virtual color wheel with color matched to popular gel colors
- Color temperature presets from 2800 K to 6500 K with high CRI and CQS
- Ultra-smooth 16-bit dimming and 8-bit dimming curves to complement any lighting scheme.
- Flat, even field of light for superior gobo projection
- RDM (Remote Device Management) for added flexibility
- Adjustable PWM (Pulse Width Modulation) to avoid flickering on camera

### Lens Tube

The following lens tubes are available for purchase:

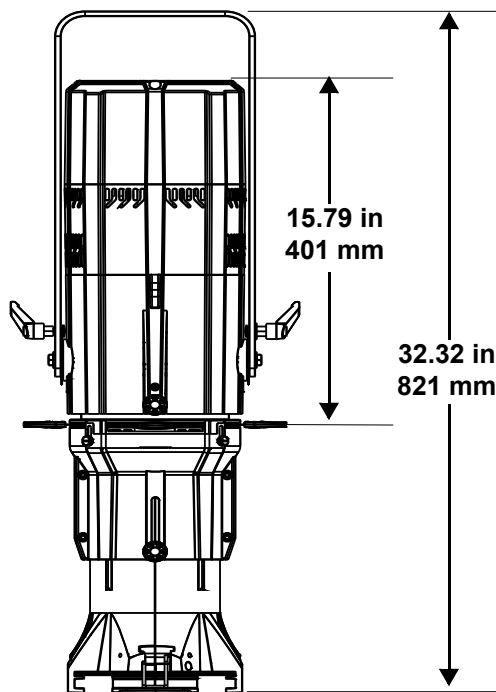
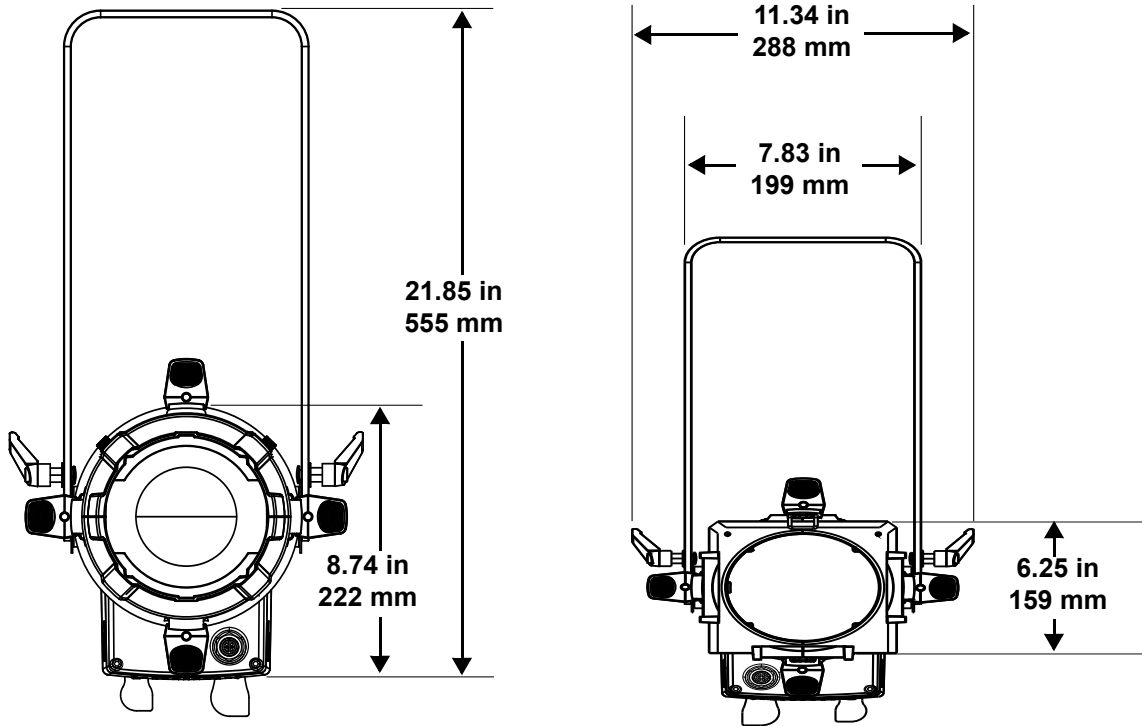
- 14° w/ gel frame (7.5 in/191 mm accessories)
- 19° w/ gel frame (6.25 in/159 mm accessories)
- 26° w/ gel frame (6.25 in/159 mm accessories)
- 36° w/ gel frame (6.25 in/159 mm accessories)
- 50° w/ gel frame (6.25 in/159 mm accessories)
- 15°–30° w/ gel frame (7.5 in/191 mm accessories)
- 25°–50° w/ gel frame (7.5 in/191 mm accessories)

Product Overview





# Product Dimensions



### 3. Setup

#### AC Power

Each Ovation E-910FC IP has an auto-ranging power supply that works with an input voltage range of 100 to 240 VAC, 50/60 Hz. To determine the power requirements for each Ovation E-910FC IP, refer to the label affixed to the product or to the Technical Specifications chart in this manual.

The listed current rating indicates the maximum current draw during normal operation. For more information, download Sizing Circuit Breakers from the Chauvet website: [www.chauvetprofessional.com](http://www.chauvetprofessional.com).



- **Always connect the product to a protected circuit (a circuit breaker or fuse). Make sure the product has an appropriate electrical ground to avoid the risk of electrocution or fire.**
- **To eliminate unnecessary wear and improve its lifespan, during periods of non-use completely disconnect the product from power via breaker or by unplugging it.**



**Never connect the product to a rheostat (variable resistor) or dimmer circuit, even if the rheostat or dimmer channel serves only as a 0 to 100% switch.**

#### AC Plug

The Ovation E-910FC IP comes with a power input cord terminated with a Seetronic Powerkon A connector on one end and an Edison plug on the other end (U.S. market). If the power input cord that came with the product has no plug, or if the plug needs to be changed, use the table below to wire the new plug.

Connection	Wire (U.S.)	Wire (Europe)	Screw Color
AC Live	Black	Brown	Yellow or Brass
AC Neutral	White	Blue	Silver
AC Ground	Green/Yellow	Green/Yellow	Green

#### Power Linking

The product supports power linking. It is possible to power link up to 7 Ovation E-910FC IP products at 120 V, up to 11 products at 208 V, or up to 12 products at 230 V. This product comes with a power input cord. Power-linking cables are available for purchase from Chauvet.



- **Use Seetronic Powerkon cables to preserve the IP65 rating and the warranty of this product.**
- **Insert the attached IP65-rated plugs into the corresponding power/data connections when not in use.**

#### Fuse Replacement

1. Disconnect this product from the power outlet.
2. Using a Phillips-head screwdriver, unscrew the fuse holder cap from the housing.
3. Remove the blown fuse and replace with another fuse of the same type and rating (T 3.15 A, 250 V).
4. Screw the fuse holder cap back in place and reconnect power.



**Make sure to disconnect the product's power cord before replacing a blown fuse. Always replace the blown fuse with another of the same type and rating.**

#### DMX Linking

The Ovation E-910FC IP can be linked to a DMX controller using a 5-pin DMX connection. Other DMX-compatible products used with this product can be controlled individually using a single DMX controller.

#### DMX Personalities

The Ovation E-910FC IP uses a 5-pin DMX data connection for the **HSV, 5Ch, 6Ch, 9Ch, 12Ch, 14Ch, 15Ch, or 17Ch** DMX personalities.

- Refer to the [Introduction](#) for a brief description of each DMX personality.
- Refer to the [Operation](#) chapter to learn how to configure the Ovation E-910FC IP to work in these personalities.
- The section provides detailed information regarding the DMX personalities.



**For more information about DMX standards, Master/Slave connectivity, or the DMX cables needed to link this product to a DMX controller, download the DMX Primer from the Chauvet website: [www.chauvetprofessional.com](http://www.chauvetprofessional.com).**

## Remote Device Management (RDM)

Remote Device Management, or RDM, is a standard for allowing DMX-enabled devices to communicate bi-directionally along existing DMX cabling. Check the DMX controller's User Manual or with the manufacturer, as not all DMX controllers have this capability. The Ovation E-910FC IP supports RDM protocol that allows feedback to make changes to menu map options.

## Master/Slave Connectivity

The Master/Slave mode allows a Ovation E-910FC IP (the master) to control one or more Ovation E-910FC IP products (the slaves) without a DMX controller. One Ovation E-910FC IP becomes the master when running an auto or custom program, or by being in a Static mode.

Each slave's control panel must be configured to operate in Slave mode. During Master/Slave operation, the slaves will operate in unison with the master.



**DO NOT connect a DMX controller to products operating in Master/Slave mode. The DMX controller signals may interfere with the signals from the master.**



The [Operation](#) section of this manual provides detailed instructions on how to configure the master and slaves.



**Use IP65 data cables to preserve the IP65 rating and the warranty of this product.**

## Mounting

Before mounting the product, read and follow the safety recommendations indicated in the [Safety Notes](#). For our CHAUVET Professional line of mounting clamps, go to <http://trusst.com/products/>.

## Orientation

Always mount this product in a safe position, making sure there is adequate room for ventilation, configuration, and maintenance.

## Rigging

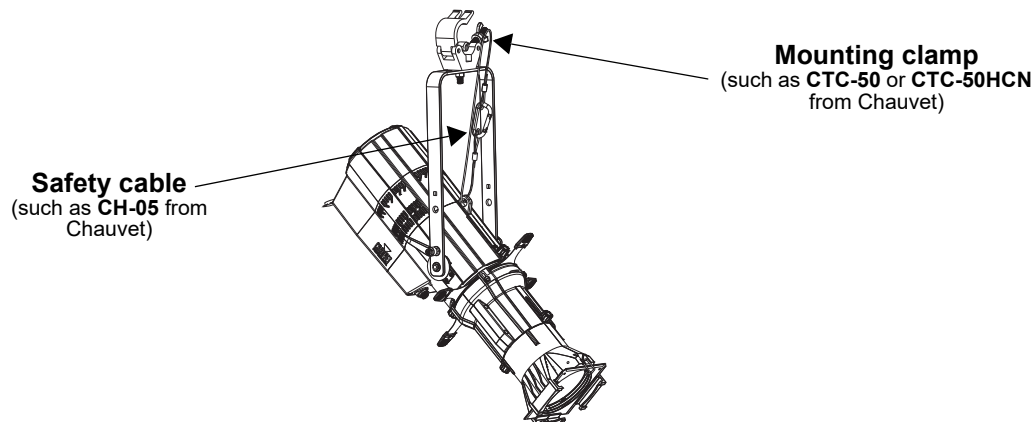
Chauvet recommends using the following general guidelines when mounting this product.

- Before deciding on a location for the product, make sure there is easy access to the product for maintenance and programming purposes.
- Make sure that the structure onto which the product is being mounted can support the product's weight. See the [Technical Specifications](#) for weight information.
- When mounting the product overhead, always use a safety cable. Mount the product securely to a rigging point, whether an elevated platform or a truss.
- When rigging the product onto a truss, use a mounting clamp of appropriate weight capacity.
- When power linking multiple products, mount the products close enough for power linking cables to reach.
- The bracket adjustment knobs allow for directional adjustment when aiming the product to the desired angle. Only loosen or tighten the bracket knobs manually. Using tools could damage the knobs.

## Procedure

The Ovation E-910FC IP comes with a double-bracketed yoke that can be used as a floor stand or to which mounting clamps can be attached for hanging. Mounting clamps must be purchased separately. Ensure that the clamps can support the weight of this product. Use at least one mounting point per product where necessary.

## Mounting Diagram



## Manual Beam Focus Control

The Ovation E-910FC IP has a manual focus, which is adjusted as follows:

1. Locate the beam focus knobs at the top and bottom of the barrel assembly.
2. Loosen the knobs by turning them counter-clockwise.
3. Slide the lens tube forward or backward until the desired focus or beam edge is achieved.
4. Tighten the knobs by turning them clockwise, which lock the lens tube's position.



**To avoid changing menu settings while focusing the Ovation E-910FC IP, press and hold the <ENTER> button for 3 seconds. This will put the product in Focus Mode, by increasing the intensity to 100%. To exit out of focus mode, press <MENU>.**

## Rotating the Barrel Assembly

The Ovation E-910FC IP allows manual rotation of the barrel assembly, as follows:

1. Locate the barrel rotation knobs at the top and bottom of the light engine.
2. Loosen the knobs by turning them counterclockwise. (**Note:** Do not remove the knobs.)
3. Rotate the barrel to the desired position, up to 25° in either direction from the centered position.
4. Tighten the knobs by turning them clockwise, which locks the barrel's position.

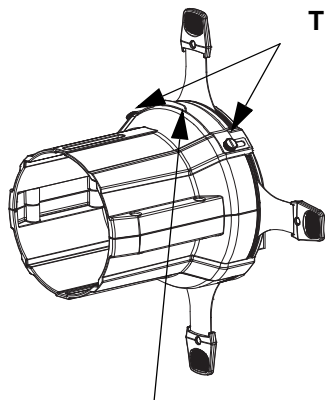


**Ensure that the barrel assembly is oriented with the pattern holder and accessory slots at the top of the product.**

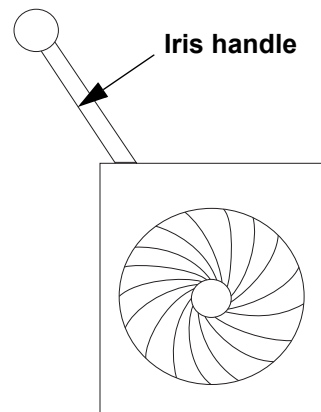
## Accessory Slot

The Ovation E-910FC IP has an accessory slot, which holds a drop-in iris, a motorized pattern device, or various other optional accessories (sold separately).

1. Loosen the thumbscrews on the slot cover. (**Note:** Do not remove the thumbscrews).
2. Slide to cover forward.
3. Insert an accessory. (**Note:** Make sure to insert the accessory correctly. i.e., the iris handle extends upward from the slot).
4. Slide the cover back. Make sure any handles or adjustment tools that stick out the top are able to function correctly.
5. Tighten the thumbscrews to secure the cover.



Accessory Slot Cover



Sample Drop-in Iris



- When not using the accessory slot, replace and secure the slot cover to prevent light leakage during operation.
- When obtaining any optional accessories, be sure the items are compatible with the Ovation E-910FC IP.

## 4. Operation

### Control Panel Operation

Button	Function
<MENU>	Exits from the current menu or function
<ENTER>	Enables the currently displayed menu or sets the currently selected value in to the current function
<UP>	Navigates upward through the menu list or increases the numeric value when in a function
<DOWN>	Navigates downward through the menu list or decreases the numeric value when in a function

### Control Options

Set the Ovation E-910FC IP starting address in the 001–509 DMX range. This enables control of up to 12 products in the 17-channel personality.

### Programming

Refer to the [Menu Map](#) to understand the menu options. The menu map shows the main level and a variable number of programming levels for each option.

- To go to the desired main level, press <MENU> repeatedly until the option shows on the display. Press <ENTER> to select. This will take you to the first programming level for that option.
- To select an option or value within the current programming level, press <UP> or <DOWN> until the option shows on the display. Press <ENTER> to select. In this case, if there is another programming level, you will see that first option, or you will see the selected value.
- Press <MENU> repeatedly to exit to the previous main level.

### Configuration (DMX)

Use DMX configurations to operate the product with a DMX controller.

#### DMX Personalities

This setting allows you to choose a particular DMX personality.

1. Go to the **DMX Channel** main level.
2. Select the desired personality (**5Ch, 6Ch, 9Ch, 12Ch, 14Ch, 15Ch, 17Ch, or HSV**).



- See the [Starting Address](#) section for the highest starting address for each personality.
- Make sure that the starting addresses on the various products do not overlap due to the new personality setting.

#### Starting Address

In this mode, each product will respond to a unique starting address from the DMX controller. All products with the same starting address will respond in unison.

1. Go to the **DMX Address** main level.
2. Set the starting address (**001–509**).

The highest recommended starting address for each DMX mode is as follows:

DMX Personality	DMX Address	DMX Personality	DMX Address
HSV	509	12Ch	501
5Ch	508	14Ch	499
6Ch	507	15Ch	498
9Ch	504	17Ch	496

## Menu Map

Main Level	Programming Levels		Description																																
<b>DMX Address</b>	<b>001–509*</b>		Selects DMX address (*highest channel restricted to personality chosen)																																
<b>DMX Channel</b>	<b>5 Ch</b>		4-channel: dimmer, VCW, color temperature, gobo rotation, red shift																																
	<b>6 Ch</b>		6-channel: RGBAL, gobo rotation																																
	<b>9 Ch</b>		9-channel: dimmer, RGBAL, strobe, gobo rotation, red shift																																
	<b>12 Ch</b>		12-channel: 16-bit dimmer, RGBAL, strobe, VCW, color temperature, gobo rotation, red shift																																
	<b>14 Ch</b>		14-channel: dimmer, RGBAL, strobe, VCW, color temperature, auto program, auto speed, dimmer speed mode, gobo rotation, red shift																																
	<b>15 Ch</b>		15-channel: 16-bit dimmer, 16-bit RGBAL, strobe, gobo rotation, red shift																																
	<b>17 Ch</b>		17-channel: 16-bit dimmer, 16-bit RGBAL, strobe, VCW, color temperature, gobo rotation, red shift																																
	<b>HSV</b>		4-channel: hue, saturation, value, gobo rotator																																
<b>Virtual Color Wheel</b>	<b>Virtual Color Wheel</b>	<table border="1"> <tr><td>C3050-Md Yellow</td></tr> <tr><td>C3040-Lt Yellow</td></tr> <tr><td>C3240-Amb Yellow</td></tr> <tr><td>C2340-VLt Amber</td></tr> <tr><td>C2040-Lt Amber</td></tr> <tr><td>C2050-Md Amber</td></tr> <tr><td>C2060-Dk Amber</td></tr> <tr><td>C1050-Lt Red</td></tr> <tr><td>C1080-Md Red</td></tr> <tr><td>C1020-NC Pink</td></tr> <tr><td>C1030-Md Pink</td></tr> <tr><td>C1630-Dk Pink</td></tr> <tr><td>C1250-Md Red Amber</td></tr> <tr><td>C1060-Dk Red Amber</td></tr> <tr><td>C1650-Magenta</td></tr> <tr><td>C6170-Dk Magenta</td></tr> <tr><td>C6020-Lt Lavender</td></tr> <tr><td>C5030-Lt Blue</td></tr> <tr><td>C5020-VLt Blue</td></tr> <tr><td>C5430-Lt Blue2</td></tr> <tr><td>C5070-Blue</td></tr> <tr><td>C5050-Md Blue</td></tr> <tr><td>C5060-Dk Blue</td></tr> <tr><td>C5690- Indigo</td></tr> <tr><td>C5080-VDk Blue</td></tr> <tr><td>C5081-VDk Blue2</td></tr> <tr><td>C4370-Yel Green</td></tr> <tr><td>C4070-Green</td></tr> <tr><td>C4550-Turquoise</td></tr> <tr><td>C4560-Aqua</td></tr> <tr><td>C4570-Blue Green</td></tr> </table>	C3050-Md Yellow	C3040-Lt Yellow	C3240-Amb Yellow	C2340-VLt Amber	C2040-Lt Amber	C2050-Md Amber	C2060-Dk Amber	C1050-Lt Red	C1080-Md Red	C1020-NC Pink	C1030-Md Pink	C1630-Dk Pink	C1250-Md Red Amber	C1060-Dk Red Amber	C1650-Magenta	C6170-Dk Magenta	C6020-Lt Lavender	C5030-Lt Blue	C5020-VLt Blue	C5430-Lt Blue2	C5070-Blue	C5050-Md Blue	C5060-Dk Blue	C5690- Indigo	C5080-VDk Blue	C5081-VDk Blue2	C4370-Yel Green	C4070-Green	C4550-Turquoise	C4560-Aqua	C4570-Blue Green	<b>Dimmer 0–255</b>	Virtual color wheel simulates the output of each gel color. Refer to the <a href="#">Virtual Color Wheel Chart</a> section for specific values.
C3050-Md Yellow																																			
C3040-Lt Yellow																																			
C3240-Amb Yellow																																			
C2340-VLt Amber																																			
C2040-Lt Amber																																			
C2050-Md Amber																																			
C2060-Dk Amber																																			
C1050-Lt Red																																			
C1080-Md Red																																			
C1020-NC Pink																																			
C1030-Md Pink																																			
C1630-Dk Pink																																			
C1250-Md Red Amber																																			
C1060-Dk Red Amber																																			
C1650-Magenta																																			
C6170-Dk Magenta																																			
C6020-Lt Lavender																																			
C5030-Lt Blue																																			
C5020-VLt Blue																																			
C5430-Lt Blue2																																			
C5070-Blue																																			
C5050-Md Blue																																			
C5060-Dk Blue																																			
C5690- Indigo																																			
C5080-VDk Blue																																			
C5081-VDk Blue2																																			
C4370-Yel Green																																			
C4070-Green																																			
C4550-Turquoise																																			
C4560-Aqua																																			
C4570-Blue Green																																			

Main Level	Programming Levels		Description	
Virtual Color Wheel	Color Temperature	2800K	Dimmer 0–255	Preset white color temperatures. Emulates a tungsten lamp at the specified color temperature. Refer to the <a href="#">Color Temperature Chart</a> section for specific values.
		3200K		
		3500K		
		4000K		
		4500K		
		5000K		
		5600K		
		6000K		
	6500K			
	Manual Color Mixer	Red	0–255	
Green				
Blue				
Amber				
Lime				
Auto Show	Auto 1–5	1–100	Selects automatic programs and program speed	
Red Shift	On	Off	Mimics halogen lamp dimming	
Gobo Rotator	0–255		Rotating gobo index	
Master/ Slave	Master		Receives DMX signal from the DMX controller (master)	
	Slave		Receives DMX signal from the master unit	
Dimmer Curve	Linear		Sets the dimmer curve	
	Square			
	I Square			
	SCurve			
Dimmer Mode	Off		Linear dimmer	
	Dimmer 1–3		Dimming curves fast ( <b>Dimmer 1</b> ) to slow ( <b>Dimmer 3</b> )	
White Balance	Off		Uses factory default white setting	
	Manual	Red	125–255	Sets red LED maximum value
		Green		Sets green LED maximum value
		Blue		Sets blue LED maximum value
		Amber		Sets amber LED maximum value
		Lime		Sets lime LED maximum value
LED Frequency	600Hz		Sets the PWM frequency	
	1200Hz			
	2000Hz			
	4000Hz			
	6000Hz			
	25KHz			
Fan Mode	Auto		Sets the fan to auto mode	
	On		Sets the fan to always on	
	Off		Sets the fan to always off	
	Silent		Sets the fan to silent	
Back Light	10S		Turns off display backlight after 10 seconds of inactivity	
	30S		Turns off display backlight after 30 seconds of inactivity	
	2Min		Turns off display backlight after 2 minutes of inactivity	
	Always On		Display backlight remains on	
Key Lock	On		Lock display (Password is <UP>, <DOWN>, <UP>, <DOWN>, <ENTER>)	
	Off			

Main Level	Programming Levels		Description
Gobo Power	On		Enables or disables gobo power output
	Off		
Information	Fixture Hours	----H	Shows total hours the product has been powered on
	Version	V._.	Shows current firmware version
	UID	-----	Shows product UID
Reset Factory	No		Resets the product to factory default settings
	Yes		

## DMX Values

### 17Ch

Channel	Function	Value	Percent/Setting
1	Dimmer	000 ⇔ 255	0–100%
2	Dimmer fine	000 ⇔ 255	0–100%
3	Red	000 ⇔ 255	0–100%
4	Red fine	000 ⇔ 255	0–100%
5	Green	000 ⇔ 255	0–100%
6	Green fine	000 ⇔ 255	0–100%
7	Blue	000 ⇔ 255	0–100%
8	Blue fine	000 ⇔ 255	0–100%
9	Amber	000 ⇔ 255	0–100%
10	Amber fine	000 ⇔ 255	0–100%
11	Lime	000 ⇔ 255	0–100%
12	Lime fine	000 ⇔ 255	0–100%
13	Strobe	000 ⇔ 010	No function
		011 ⇔ 255	Strobe, slow to fast
14	Virtual color wheel	000 ⇔ 255	See <a href="#">Virtual Color Wheel Chart</a>
15	Color temperature	000 ⇔ 255	See <a href="#">Color Temperature Chart</a>
16	Gobo rotation	000 ⇔ 127	Index
		128 ⇔ 190	Clockwise fast to slow
		191 ⇔ 192	Stop
		193 ⇔ 255	Counter-clockwise slow to fast
17	Red shift	000 ⇔ 010	No function
		011 ⇔ 127	On
		128 ⇔ 255	Off



## OPERATION

### 15Ch

Channel	Function	Value	Percent/Setting
1	Dimmer	000 ⇔ 255	0–100%
2	Dimmer fine	000 ⇔ 255	0–100%
3	Red	000 ⇔ 255	0–100%
4	Red fine	000 ⇔ 255	0–100%
5	Green	000 ⇔ 255	0–100%
6	Green fine	000 ⇔ 255	0–100%
7	Blue	000 ⇔ 255	0–100%
8	Blue fine	000 ⇔ 255	0–100%
9	Amber	000 ⇔ 255	0–100%
10	Amber fine	000 ⇔ 255	0–100%
11	Lime	000 ⇔ 255	0–100%
12	Lime fine	000 ⇔ 255	0–100%
13	Strobe	000 ⇔ 010	No function
		011 ⇔ 255	Strobe, slow to fast
14	Gobo rotation	000 ⇔ 127	Index
		128 ⇔ 190	Clockwise fast to slow
		191 ⇔ 192	Stop
		193 ⇔ 255	Counter-clockwise slow to fast
15	Red shift	000 ⇔ 010	No function
		011 ⇔ 127	On
		128 ⇔ 255	Off

**14Ch**

Channel	Function	Value	Percent/Setting
1	Dimmer	000 ⇔ 255	0–100%
2	Red	000 ⇔ 255	0–100%
3	Green	000 ⇔ 255	0–100%
4	Blue	000 ⇔ 255	0–100%
5	Amber	000 ⇔ 255	0–100%
6	Lime	000 ⇔ 255	0–100%
7	Strobe	000 ⇔ 010 011 ⇔ 255	No function Strobe, slow to fast
8	Virtual color wheel	000 ⇔ 255	See <a href="#">Virtual Color Wheel Chart</a>
9	Color temperature	000 ⇔ 255	See <a href="#">Color Temperature Chart</a>
10	Auto program	000 ⇔ 010 011 ⇔ 060 061 ⇔ 110 111 ⇔ 160 161 ⇔ 210 211 ⇔ 255	No function Auto program 1 Auto program 2 Auto program 3 Auto program 4 Auto program 5
11	Auto speed	000 ⇔ 255	Auto speed, slow to fast
12	Dimmer speed mode	000 ⇔ 051 052 ⇔ 101 102 ⇔ 152 153 ⇔ 203 204 ⇔ 255	Current dimmer speed mode Linear dimmer Nonlinear dimming curve 1 (fastest) Nonlinear dimming curve 2 Nonlinear dimming curve 3
13	Gobo rotation	000 ⇔ 127 128 ⇔ 190 191 ⇔ 192 193 ⇔ 255	Index Clockwise fast to slow Stop Counter-clockwise slow to fast
14	Red shift	000 ⇔ 010 011 ⇔ 127 128 ⇔ 255	No function On Off

**12Ch**

Channel	Function	Value	Percent/Setting
1	Dimmer	000 ⇔ 255	0–100%
2	Dimmer fine	000 ⇔ 255	0–100%
3	Red	000 ⇔ 255	0–100%
4	Green	000 ⇔ 255	0–100%
5	Blue	000 ⇔ 255	0–100%
6	Amber	000 ⇔ 255	0–100%
7	Lime	000 ⇔ 255	0–100%
8	Strobe	000 ⇔ 010 011 ⇔ 255	No function Strobe, slow to fast
9	Virtual color wheel	000 ⇔ 255	See <a href="#">Virtual Color Wheel Chart</a>
10	Color temperature	000 ⇔ 255	See <a href="#">Virtual Color Wheel</a>
11	Gobo rotator	000 ⇔ 127 128 ⇔ 190 191 ⇔ 192 193 ⇔ 255	Index Clockwise fast to slow Stop Counter-clockwise slow to fast
12	Red shift	000 ⇔ 010 011 ⇔ 127 128 ⇔ 255	No function On Off

## OPERATION

### 9Ch

Channel	Function	Value	Percent/Setting
1	Dimmer	000 ⇔ 255	0–100%
2	Red	000 ⇔ 255	0–100%
3	Green	000 ⇔ 255	0–100%
4	Blue	000 ⇔ 255	0–100%
5	Amber	000 ⇔ 255	0–100%
6	Lime	000 ⇔ 255	0–100%
7	Strobe	000 ⇔ 010	No function
		011 ⇔ 255	Strobe, slow to fast
8	Gobo rotator	000 ⇔ 127	Index
		128 ⇔ 190	Clockwise fast to slow
		191 ⇔ 192	Stop
		193 ⇔ 255	Counter-clockwise slow to fast
9	Red shift	000 ⇔ 010	No function
		011 ⇔ 127	On
		128 ⇔ 255	Off

### 7Ch

Channel	Function	Value	Percent/Setting
1	Red	000 ⇔ 255	0–100%
2	Green	000 ⇔ 255	0–100%
3	Blue	000 ⇔ 255	0–100%
4	Amber	000 ⇔ 255	0–100%
5	Lime	000 ⇔ 255	0–100%
6	Gobo rotator	000 ⇔ 127	Index
		128 ⇔ 190	Clockwise fast to slow
		191 ⇔ 192	Stop
		193 ⇔ 255	Counter-clockwise slow to fast
7	Red shift	000 ⇔ 010	No function
		011 ⇔ 127	On
		128 ⇔ 255	Off

**5Ch**

Channel	Function	Value	Percent/Setting
1	Dimmer	000 ⇄ 255	0–100%
2	Virtual color wheel	000 ⇄ 255	See <a href="#">Virtual Color Wheel Chart</a>
3	Color temperature	000 ⇄ 255	See <a href="#">Virtual Color Wheel</a>
4	Gobo rotation	000 ⇄ 127	Index
		128 ⇄ 190	Clockwise fast to slow
		191 ⇄ 192	Stop
		193 ⇄ 255	Counter-clockwise slow to fast
5	Red shift	000 ⇄ 010	No function
		011 ⇄ 127	On
		128 ⇄ 255	Off

**HSV**

Channel	Function	Value	Percent/Setting
1	Hue	000 ⇄ 255	0–100%
2	Saturation	000 ⇄ 255	0–100%
3	Value	000 ⇄ 255	0–100%
4	Gobo rotation	000 ⇄ 127	Index
		128 ⇄ 190	Clockwise fast to slow
		191 ⇄ 192	Stop
		193 ⇄ 255	Counter-clockwise slow to fast

## Virtual Color Wheel

The Ovation E-910FC IP includes a feature called the Virtual Color Wheel (VCW). This feature is available as a standalone control mode for manual use and as a control channel in select DMX personalities. More than 30 premixed colors, custom blended by Chauvet engineers, are available to call up for easier programming. The DMX values used to mix these colors are provided below. The overall intensity of the Ovation fixture can be adjusted to more closely replicate familiar colors. A chart is available on [www.chauvetprofessional.com](http://www.chauvetprofessional.com) to compare Chauvet's premixed colors with popular gel colors. This chart is for comparison purposes only and is not a guarantee that Chauvet's premixed colors match any of the gel colors listed.

### Virtual Color Wheel Chart

DMX Channel Value	Display Readout	Red Value	Green Value	Blue Value	Amber Value	Lime Value
000 ⇄ 005	--	000	000	000	000	000
006 ⇄ 013	<b>C3050 - Md Yellow</b>	233	163	020	123	255
014 ⇄ 021	<b>C3040 - Lt Yellow</b>	224	158	047	255	231
022 ⇄ 028	<b>C3240 - Amb Yellow</b>	180	060	000	245	255
029 ⇄ 035	<b>C2340 - Vlt Amber</b>	245	107	081	255	213
036 ⇄ 043	<b>C2040 - Lt Amber</b>	230	130	062	255	155
044 ⇄ 051	<b>C2050 - Md Amber</b>	255	000	025	255	194
052 ⇄ 059	<b>C2060 - Dk Amber</b>	255	000	024	255	150
060 ⇄ 067	<b>C1050 - Lt Red</b>	255	037	027	030	038
068 ⇄ 075	<b>C1080 - Md Red</b>	255	004	017	000	000
076 ⇄ 083	<b>C1020 - NC Pink</b>	238	135	129	255	255
084 ⇄ 091	<b>C1030 - Md Pink</b>	255	131	120	255	195
092 ⇄ 099	<b>C1630 - Dk Pink</b>	255	165	123	255	210
100 ⇄ 107	<b>C1250 - Md Red Amber</b>	255	000	041	195	055
108 ⇄ 115	<b>C1060 - Dk Red Amber</b>	255	000	045	120	030
116 ⇄ 121	<b>C1650 - Magenta</b>	255	050	115	255	115
122 ⇄ 130	<b>C6170 - Dk Magenta</b>	255	035	117	000	000
131 ⇄ 138	<b>C6020 - Lt Lavender</b>	127	122	142	251	255
139 ⇄ 146	<b>C5030 - Lt Blue</b>	000	255	197	100	255
147 ⇄ 154	<b>C5020 - Vlt Blue</b>	158	255	189	000	255
155 ⇄ 162	<b>C5430 - Lt Blue 2</b>	000	255	180	000	243
163 ⇄ 170	<b>C5070 - Blue</b>	043	255	210	043	036
171 ⇄ 178	<b>C5050 - Md Blue</b>	000	255	218	000	181
179 ⇄ 186	<b>C5060 - Dk Blue</b>	000	210	206	000	118
187 ⇄ 194	<b>C5690 - Indigo</b>	065	000	210	040	055
195 ⇄ 202	<b>C5080 - Vdk Blue</b>	000	203	230	000	040
203 ⇄ 210	<b>C5081 - Vdk Blue2</b>	040	199	240	000	045
211 ⇄ 218	<b>C4370 - Yel Green</b>	027	255	028	016	104
219 ⇄ 226	<b>C4070 - Green</b>	049	255	055	120	090
227 ⇄ 234	<b>C4550 - Turquoise</b>	060	230	109	000	245
235 ⇄ 242	<b>C4560 - Aqua</b>	020	240	126	036	255
243 ⇄ 250	<b>C4570 - Blue Green</b>	000	255	079	030	053
251 ⇄ 255	--	000	000	000	000	000



Note: The colors above are simulated renditions of the color output produced compared with other similar incandescent products. Chauvet makes no guarantee of the color output accuracy.

### Color Temperature Chart

DMX Channel Value	Display Readout	Red Value	Green Value	Blue Value	Amber Value	Lime Value
000 ⇄ 005	--	000	000	000	000	000
006 ⇄ 025	<b>2800K</b>	255	199	107	253	255
026 ⇄ 050	<b>3200K</b>	253	247	129	255	255
051 ⇄ 075	<b>3500K</b>	234	255	141	253	255
076 ⇄ 100	<b>4000K</b>	204	255	156	243	255
101 ⇄ 125	<b>4500K</b>	181	248	166	224	255
126 ⇄ 150	<b>5000K</b>	160	255	180	241	255
151 ⇄ 175	<b>5600K</b>	138	255	191	241	255
176 ⇄ 200	<b>6000K</b>	147	255	193	203	255
201 ⇄ 225	<b>6500K</b>	142	251	197	187	255
226 ⇄ 255	--	000	000	000	000	000



Note: The color temperatures above are simulated renditions of the color output produced compared with a tungsten lamp at the specified color temperature. Chauvet makes no guarantee of the color output accuracy.

## Configuration (Standalone)

Use standalone configuration to operate the product without a DMX controller.

### Focus Mode

Focus mode allows for focusing of the Ovation E-910FC IP without changing any menu settings.

1. Press and hold **<ENTER>** for 3 seconds. The output intensity will increase to 100%.
2. Press **<MENU>** to exit focus mode and restore the settings.

### Virtual Color Wheel

The Ovation E-910FC IP offers more than 30 premixed colors based on gel colors. See the [Virtual Color Wheel](#) section for details on specific values. To select a gel color, do the following:

1. Go to the **Virtual Color Wheel** main level.
2. Select **Virtual Color Wheel**.
3. Select the desired gel color (see [Virtual Color Wheel Chart](#)).
4. Select the desired output level (**0–255**).

### Color Temperature

The Color Temperature mode offer preset white color temperatures that emulate a tungsten lamp at the specified color temperature. See the [Color Temperature](#) section for details on specified values. To select a color temperature, do the following:

1. Go to the **Virtual Color Wheel** main level.
2. Select **Color Temperature**.
3. Select the desired color temperature (see [Virtual Color Wheel](#)).
4. Select the desired output level (**0–255**).

### Manual Color Mixer

The Manual Color Mixer mode allows for permanent RGBAL color mixing without a DMX controller.

1. Go to the **Virtual Color Wheel** main level.
2. Select **Manual Color Mixer**.
3. Select the color to edit (**Red, Green, Blue, Amber, or Lime**).
4. Select the desired output level for that color (**0–255**).
5. Repeat steps 3 and 4 until product outputs as desired.

### Auto Programs

Auto programs allow for dynamic blinder effects without a DMX controller.

1. Go to the **Auto Show** main level
2. Select the desired auto program (**Auto 1–5**).
3. Select the desired speed (**1–100**).



The auto programs cannot be edited.

### Red Shift

The Red Shift function causes the amber LEDs to imitate the appearance of a halogen lamp when dimming.

1. Go to the **Red Shift** main level.
2. Select **On** or **Off**.

### Gobo Rotator

(for use with Ovation GR-1 IP, sold separately)

The gobo rotator mode controls the Ovation GR-1 IP rotation speed.

1. Go to the **Gobo Rotator** main level.
2. Select the desired value (**0–255**).

### Dimmer Curve

To set the dimmer curve, follow the instructions below:

1. Go to the Dimmer Curve main level.
2. Select the desired option (**Linear, Square, I Squa, or SCurve**).
3. Press **<ENTER>**.

## OPERATION

### Master/Slave

The Master/Slave mode allows a group of Ovation E-910FC IP products (the slaves) to simultaneously duplicate the output of another Ovation E-910FC IP (the master) without a DMX controller.

To set each of the slaves:

1. Go to the **Master/Slave** main level
2. Select **Slave**.

To set the master:

1. Go to the **Master/Slave** main level
2. Select **Master**.
3. Select a static setting.



- **The master is the one that runs a program whether in Auto or Static mode.**
- **Do not connect a DMX controller to the products configured for Master/Slave operation. The DMX controller may interfere with signals from the master.**
- **The master should be the first product in the daisy chain.**

### Dimmer Profiles

This setting determines how fast the output of the Ovation E-910FC IP changes when the output value is modified. It provides four different options to simulate the dimming curve of an incandescent lighting product.

1. Go to the **Dimmer Mode** main level.
2. Select a dimmer curve (**Off**, **Dimmer 1**, **Dimmer 2**, or **Dimmer 3**).



- Off:** The output is proportional (linear) to the dimmer channel value.
- Dimmer 1-3:** The output follows the dimmer value based on the corresponding dimmer curve, **Dimmer 1** being the fastest.

### White Balance

This setting determines the maximum output values for each color, which affects the appearance of a full output white.

1. Go to the White Balance main level.
2. Select **Off** (the product will use a default setting) or **Manual**.
3. For **Manual** mode, select the color value to edit (**Red**, **Green**, **Blue**, **Amber**, or **Lime**).
4. Set the maximum value for the selected color (**125–255**).
5. Repeat steps 3 and 4 until the product outputs as desired.

### LED Frequency

This option changes the Pulse Width Modulation (PWM) frequency of the LEDs on the Ovation E-910FC IP.

1. Go to the **LED Frequency** main level.
2. Select PWM Frequency (**600Hz**, **1200Hz**, **2000Hz**, **4000Hz**, **6000Hz**, or **25Khz**).

### Fan Mode

This setting determines how the fan speed on the Ovation E-910FC IP is set.

1. Go to the **Fan Mode** main level
2. Select **Auto** (fan speed will increase or decrease based on product temperature), **Off** (fan will stay off. Product output will decrease based on product temperature), **Silent** (fan will maintain a constant silent speed), or **On** (fan speed will always be at maximum).



**NOTICE: When operating in Fan Mode: Off, the output of the fixture will be reduced and will not reach the same levels as when using other fan modes.**



**WARNING: When operating in Fan Mode: Off, the fixture will become hotter to the touch than when using other fan modes. Use proper protective equipment to prevent burns. Keep a safe distance from flammable objects.**

### Back Light

This setting allows for selection of the amount of time the backlight on the Ovation E-910FC IP's display stays on after the last button is pressed on the control panel.

1. Go to the **Back Light** main level.
2. Select **10S** (10 seconds), **30S** (30 seconds), **2Min** (2 minutes), or **Always On** (remains on).

### **Key Lock**

This setting enables users to activate or disable the control panel lock, which keeps non-authorized personnel from changing the product's settings.

1. Go to the **Key Lock** main level.
2. Select **On** or **Off**.

### **Gobo Power**

This setting provides power to the Ovation GR-1 IP (sold separately).

1. Go to the **Gobo Power** main level.
2. Select **On** or **Off**.

### **System Information**

This option displays the total number of hours the product has run, the installed software version, and the product's UID.

1. Go to the **Information** main level.
2. Select **Fixture Hours**, **Version**, or **UID**.

### **Factory Reset**

This option restores the Ovation E-910FC IP to factory default settings.

1. Go to the **Reset Factory** main level.
2. Select **No** or **Yes**.



## 5. Technical Information

### Product Maintenance

To maintain optimum performance and minimize wear, clean this product frequently. Usage and environment are contributing factors in determining the cleaning frequency.

Clean this product at least twice a month. Dust build-up reduces light output performance and can cause overheating. This can lead to reduced light source life and increased mechanical wear.

To clean the product:

1. Unplug the product from power.
2. Wait until the product is at room temperature.
3. Use a vacuum (or dry compressed air) and a soft brush to remove dust collected on the external vents.
4. Clean all transparent surfaces with a mild soap solution, ammonia-free glass cleaner, or isopropyl alcohol.
5. Apply the solution directly to a soft, lint-free cotton cloth or a lens-cleaning tissue.
6. Softly drag any dirt or grime to the outside of the transparent surface.
7. Gently polish the transparent surfaces until they are free of haze and lint.



**Always dry the transparent surfaces carefully after cleaning them.**

## 6. Technical Specifications

### Dimensions and Weight

Length	Width	Height	Weight
26 in (660 mm)	11.33 in (288 mm)	10.4 in (264.6 mm)	23.2 lb (10.5 kg)

**Note:** Dimensions in inches rounded to the nearest hundredth.

### Power

Power Supply Type	Range	Voltage Selection
Switching (internal)	100 to 240 VAC, 50/60 Hz	Auto-ranging
Parameter	120 V, 60 Hz	230 V, 50 Hz
Consumption	225 W	241 W
Operating Current	1.88 A	1.05 A
Power-linking current (products)	13.6 A (7 products)	13.6 A (12 products)
Power I/O	U.S./Canada	Worldwide
Power input connector	Seetronic Powerkon IP65	Seetronic Powerkon IP65
Power output connector	Seetronic Powerkon IP65	Seetronic Powerkon IP65
Power Cord plug	Edison (U.S.)	Local Plug

### Light Source

Type	Color	Quantity	Power	Current	Lifespan
LED	Red	18	3 W	722 mA	50,000 hours
	Green	18			
	Blue	19			
	Amber	18			
	Lime green	18			

### Photometrics

Parameter	14°	19°	26°	36°	50°	15°~30°	25°~50°
Beam Angle	11°	19°	24°	28°	41°	13°/24°	23°/36°
Field Angle	14°	19°	26°	34°	51°	15°/29°	26°/50°
Illuminance @ 5 m	4,420 lux	2,530 lux	1,720 lux	1,020 lux	457 lux	4,260/1,620 lux	1,790/825 lux

### Thermal

Maximum External Temperature	Cooling System
113 °F (45 °C)	Convection

### DMX

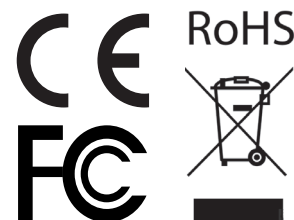
I/O Connector	Channel Range
5-pin XLR	5, 6, 9, 12, 14, 15, 17, HSV

### Ordering

Product Name	Item Code	UPC Number
Ovation E-910FC IP	03121497	781462218454



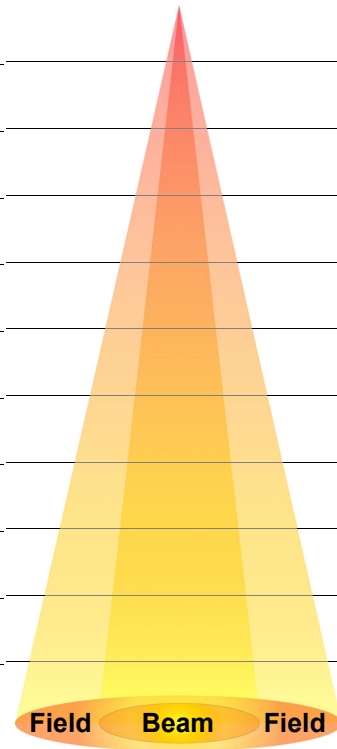
UL 1573  
CSA C22.2 No. 166  
E113093



## Photometrics Charts

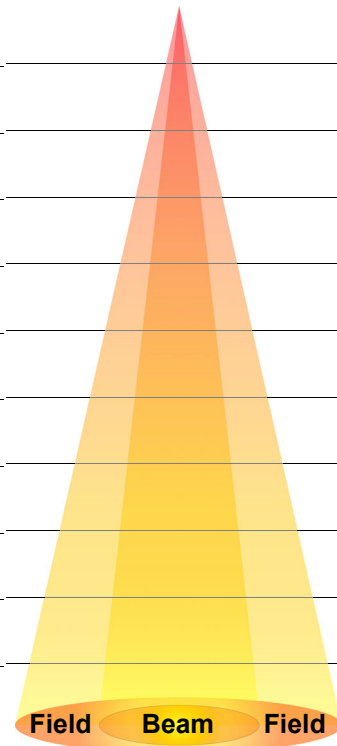
### Light Source 14° (Imperial)

Distance	11° Beam Diameter	14° Field Diameter	Footcandle
15 ft	2.89 ft	3.68 ft	491
20 ft	3.85 ft	4.91 ft	276
30 ft	5.78 ft	7.37 ft	123
40 ft	7.70 ft	9.82 ft	69
50 ft	9.63 ft	12.28 ft	44
75 ft	14.44 ft	18.42 ft	20
100 ft	19.26 ft	24.56 ft	11
125 ft	24.07 ft	30.70 ft	7
150 ft	28.89 ft	36.84 ft	5



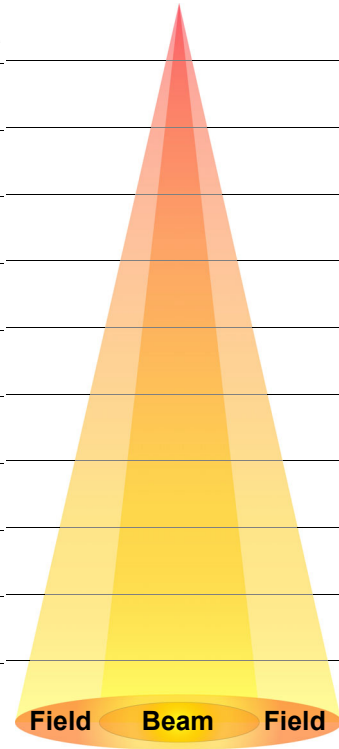
### Light Source 14° (Metric)

Distance	11° Beam Diameter	14° Field Diameter	Lux
1 m	0.19 m	0.25 m	110,500
2 m	0.25 m	0.49 m	27,625
5 m	0.96 m	1.23 m	4,420
8 m	1.54 m	1.96 m	1,727
10 m	1.93 m	2.46 m	1,105
15 m	2.89 m	3.68 m	491
20 m	3.85 m	4.91 m	276
25 m	4.81 m	6.14 m	177
30 m	5.78 m	7.37 m	123



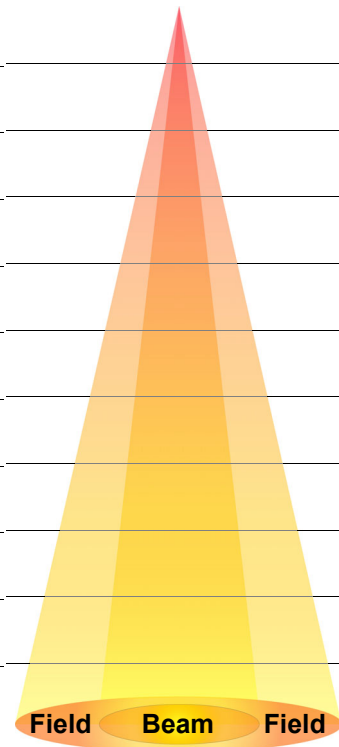
**Light Source 19° (Imperial)**

Distance	19° Beam Diameter	19° Field Diameter	Footcandle
15 ft	5.02 ft	5.02 ft	281
20 ft	6.69 ft	6.69 ft	158
30 ft	10.04 ft	10.04 ft	70
40 ft	13.39 ft	13.39 ft	40
50 ft	16.73 ft	16.73 ft	25
75 ft	25.10 ft	25.10 ft	11
100 ft	33.47 ft	33.47 ft	6
125 ft	41.84 ft	41.84 ft	4
150 ft	50.20 ft	50.20 ft	3



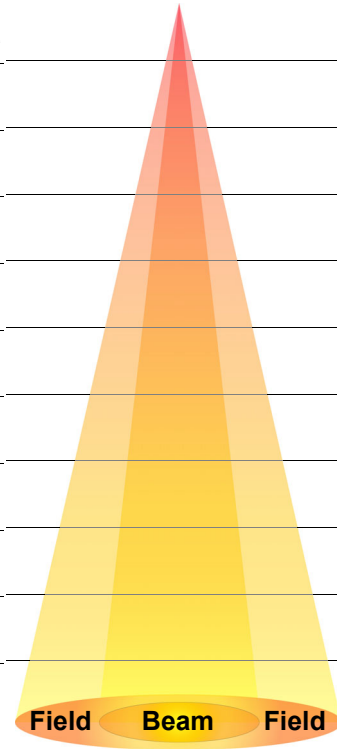
**Light Source 19° (Metric)**

Distance	19° Beam Diameter	19° Field Diameter	Lux
1 m	0.33 m	0.33 m	63,250
2 m	0.67 m	0.67 m	15,813
5 m	1.67 m	1.67 m	2,530
8 m	2.68 m	2.68 m	988
10 m	3.35 m	3.35 m	633
15 m	5.02 m	5.02 m	281
20 m	6.69 m	6.69 m	158
25 m	8.37 m	8.37 m	101
30 m	10.04 m	10.04 m	70



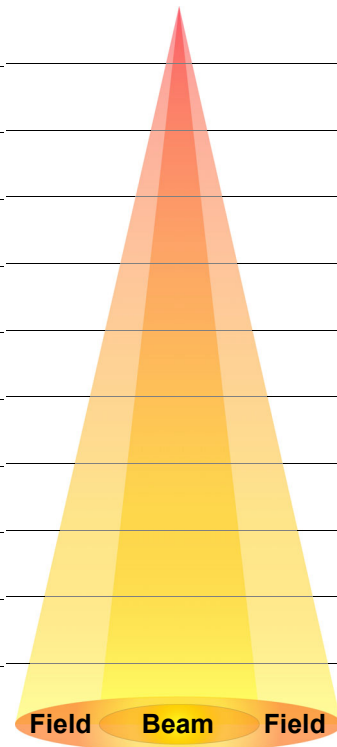
**Light Source 26° (Imperial)**

Distance	24° Beam Diameter	26° Field Diameter	Footcandle
15 ft	6.38 ft	6.93 ft	191
20 ft	8.50 ft	9.23 ft	108
30 ft	12.75 ft	13.85 ft	48
40 ft	17.00 ft	18.47 ft	27
50 ft	21.26 ft	23.09 ft	17
75 ft	31.88 ft	34.63 ft	8
100 ft	42.51 ft	46.17 ft	4
125 ft	53.14 ft	57.72 ft	3
150 ft	63.77 ft	69.26 ft	2



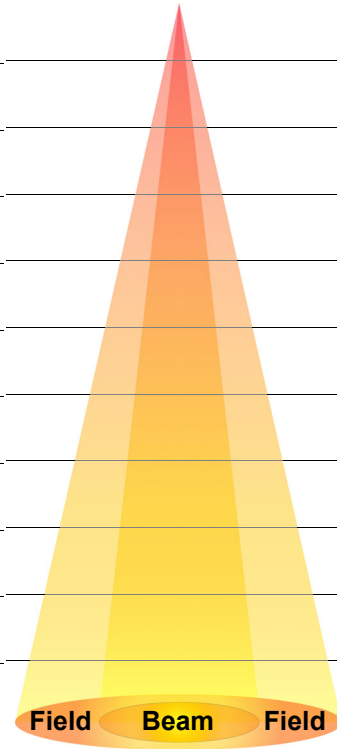
**Light Source 26° (Metric)**

Distance	24° Beam Diameter	26° Field Diameter	Lux
1 m	0.43 m	0.46 m	43,000
2 m	0.85 m	0.92 m	10,750
5 m	2.13 m	2.31 m	1,720
8 m	3.40 m	3.69 m	672
10 m	4.25 m	4.62 m	430
15 m	6.38 m	6.93 m	191
20 m	8.50 m	9.23 m	108
25 m	10.63 m	11.54 m	69
30 m	12.75 m	13.85 m	48



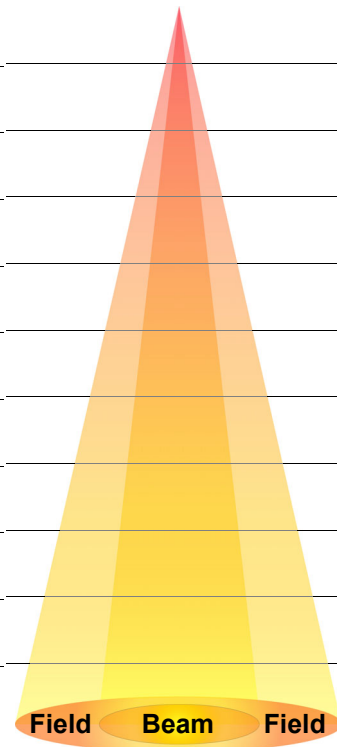
**Light Source 36° (Imperial)**

Distance	28° Beam Diameter	34° Field Diameter	Footcandle
15 ft	7.48 ft	9.17 ft	113
20 ft	9.97 ft	13.00 ft	64
30 ft	14.96 ft	18.34 ft	28
40 ft	19.95 ft	24.46 ft	16
50 ft	24.93 ft	30.57 ft	10
75 ft	37.40 ft	45.86 ft	5
100 ft	49.87 ft	61.15 ft	3
125 ft	62.33 ft	76.43 ft	2
150 ft	74.80 ft	91.72 ft	113



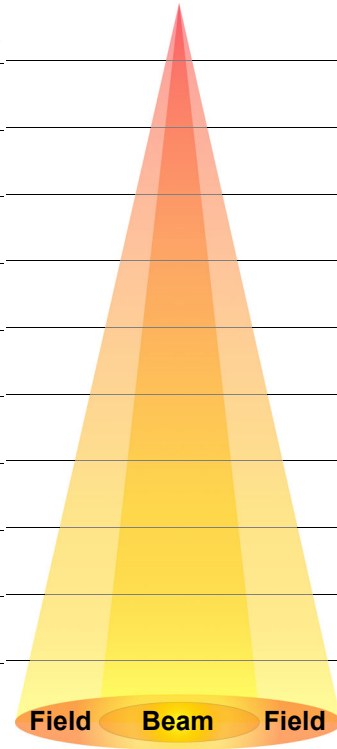
**Light Source 36° (Metric)**

Distance	28° Beam Diameter	34° Field Diameter	Lux
1 m	0.50 m	0.61 m	25,500
2 m	1.00 m	1.22 m	6,375
5 m	2.49 m	3.06 m	1,020
8 m	3.99 m	4.89 m	398
10 m	4.99 m	6.11 m	255
15 m	7.48 m	9.17 m	113
20 m	9.97 m	12.23 m	64
25 m	12.47 m	15.29 m	41
30 m	14.96 m	18.34 m	28



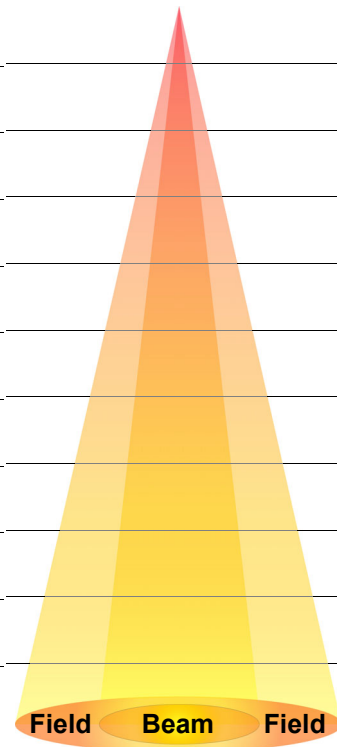
**Light Source 50° (Imperial)**

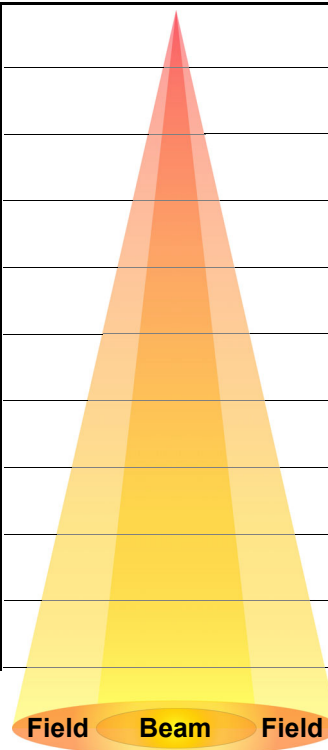
Distance	41° Beam Diameter	51° Field Diameter	Footcandle
15 ft	11.22 ft	14.31 ft	51
20 ft	14.96 ft	19.08 ft	29
30 ft	22.43 ft	28.62 ft	13
40 ft	29.91 ft	38.16 ft	7
50 ft	37.39 ft	47.70 ft	5
75 ft	56.08 ft	71.55 ft	2
100 ft	74.78 ft	95.40 ft	1
125 ft	93.47 ft	119.24 ft	1
150 ft	112.17 ft	143.09 ft	1

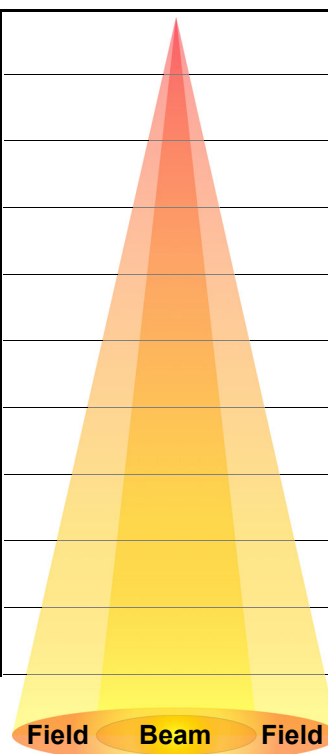


**Light Source 50° (Metric)**

Distance	41° Beam Diameter	51° Field Diameter	Lux
1 m	0.75 m	0.95 m	11,425
2 m	1.50 m	1.91 m	2,856
5 m	3.74 m	4.77 m	457
8 m	5.98 m	7.63 m	179
10 m	7.48 m	9.54 m	114
15 m	11.22 m	14.31 m	51
20 m	14.96 m	19.08 m	29
25 m	18.69 m	23.85 m	18
30 m	22.43 m	28.62 m	13



Narrow (15°)			Zoomable Light Source (Imperial)		Wide (30°)		
Distance	13° Beam Diameter	15° Field Diameter	Footcandle		Footcandle	24° Beam Diameter	29° Field Diameter
15 ft	3.42 ft	3.95 ft	473		180	6.38 ft	7.76 ft
20 ft	4.56 ft	5.27 ft	266		101	8.50 ft	10.34 ft
30 ft	6.84 ft	7.90 ft	118		45	12.75 ft	15.52 ft
40 ft	9.11 ft	10.53 ft	67		25	17.00 ft	20.69 ft
50 ft	11.39 ft	13.17 ft	43		16	21.26 ft	25.86 ft
75 ft	17.09 ft	19.75 ft	19		7	31.88 ft	38.79 ft
100 ft	22.79 ft	26.33 ft	11		4	42.51 ft	51.72 ft
125 ft	28.48 ft	32.91 ft	7		3	53.14 ft	64.65 ft
150 ft	34.18 ft	39.50 ft	5		2	63.77 ft	77.59 ft

Narrow (15°)			Zoomable Light Source (Metric)		Wide (30°)		
Distance	13° Beam Diameter	15° Field Diameter	Lux		Lux	24° Beam Diameter	29° Field Diameter
1 m	0.23 m	0.26 m	106,500		40,500	0.43 m	0.52 m
2 m	0.46 m	0.53 m	26,625		10,125	0.85 m	1.03 m
5 m	1.14 m	1.32 m	4,260		1,620	2.13 m	2.59 m
8 m	1.82 m	2.11 m	1,664		633	3.40 m	4.14 m
10 m	2.28 m	2.63 m	1,065		405	4.25 m	5.17 m
15 m	3.42 m	3.95 m	473		180	6.38 m	7.76 m
20 m	4.56 m	5.27 m	266		101	8.50 m	10.34 m
25 m	5.70 m	6.58 m	170		65	10.63 m	12.93 m
30 m	6.84 m	7.90 m	118		45	12.75 m	15.52 m



Narrow (25°)			Zoomable Light Source (Imperial)		Wide (50°)		
Distance	23° Beam Diameter	26° Field Diameter	Footcandle		Footcandle	36° Beam Diameter	50° Field Diameter
15 ft	6.10 ft	6.93 ft	199		92	9.75 ft	13.99 ft
20 ft	8.14 ft	9.23 ft	112		52	13.00 ft	18.65 ft
30 ft	12.21 ft	13.85 ft	50		23	19.50 ft	24.98 ft
40 ft	16.28 ft	18.47 ft	28		13	25.99 ft	37.30 ft
50 ft	20.35 ft	23.09 ft	18		8	32.49 ft	46.63 ft
75 ft	30.52 ft	34.63 ft	8		4	48.74 ft	69.95 ft
100 ft	40.69 ft	46.17 ft	4		2	64.98 ft	93.26 ft
125 ft	50.86 ft	57.72 ft	3		1	81.23 ft	116.58 ft
150 ft	61.04 ft	69.26 ft	2		1	97.48 ft	139.89 ft

Narrow (25°)			Zoomable Light Source (Metric)		Wide (50°)		
Distance	23° Beam Diameter	26° Field Diameter	Lux		Lux	36° Beam Diameter	50° Field Diameter
1 m	0.41 m	0.46 m	44,750		20,625	0.65 m	0.93 m
2 m	0.81 m	0.92 m	11,188		5,156	1.30 m	1.87 m
5 m	2.03 m	2.31 m	1,790		825	3.25 m	4.66 m
8 m	3.26 m	3.69 m	699		322	5.20 m	7.46 m
10 m	4.07 m	4.62 m	448		206	6.50 m	9.33 m
15 m	6.10 m	6.93 m	199		92	9.75 m	13.99 m
20 m	8.14 m	9.23 m	112		52	13.00 m	18.65 m
25 m	10.17 m	11.54 m	72		33	16.25 m	23.32 m
30 m	12.21 m	13.85 m	50		23	19.50 m	27.98 m

## Returns

To get support or return a product:

- If you are located in the U.S., contact Chauvet World Headquarters.
- If you are located in the U.K. or Ireland, contact Chauvet Europe Ltd.
- If you are located in Benelux, contact Chauvet Europe BVBA.
- If you are located in France, contact Chauvet France.
- If you are located in Germany, contact Chauvet Germany.
- If you are located in Mexico, contact Chauvet Mexico.
- If you are located in any other country, DO NOT contact Chauvet. Instead, contact your local distributor. See [www.chauvetprofessional.com](http://www.chauvetprofessional.com) for distributors outside the U.S., U.K., Ireland, Benelux, France, Germany, or Mexico.



**If you are located outside the U.S., UK, Ireland, Benelux, France, Germany, or Mexico, contact your distributor of record and follow their instructions on how to return Chauvet products to them. Visit our website [www.chauvetprofessional.com](http://www.chauvetprofessional.com) for contact details.**

Call the corresponding Chauvet Technical Support office and request a Return Merchandise Authorization (RMA) number before shipping the product. Be prepared to provide the model number, serial number, and a brief description of the cause for the return.

To submit a service request online, go to [www.chauvetprofessional.com/service-request](http://www.chauvetprofessional.com/service-request).

Send the merchandise prepaid, in its original box, and with its original packing and accessories. Chauvet will not issue call tags.

Clearly label the package with the RMA number. Chauvet will refuse any product returned without an RMA number.



**Write the RMA number on a properly affixed label. DO NOT write the RMA number directly on the box.**

Before sending the product, clearly write the following information on a piece of paper and place it inside the box:

- Your name
- Your address
- Your phone number
- RMA number
- A brief description of the problem

Be sure to pack the product properly. Any shipping damage resulting from inadequate packaging will be your responsibility. FedEx packing or double-boxing are recommended.



**Chauvet reserves the right to use its own discretion to repair or replace returned product(s).**

## Contact Us

General Information	Technical Support
<b>Chauvet World Headquarters</b>	
Address: 5200 NW 108th Ave. Sunrise, FL 33351 Voice: (954) 577-4455 Fax: (954) 929-5560 Toll Free: (800) 762-1084	Voice: (844) 393-7575 Fax: (954) 756-8015 Email: <a href="mailto:chauvetcs@chauvetlighting.com">chauvetcs@chauvetlighting.com</a> Website: <a href="http://www.chauvetprofessional.com">www.chauvetprofessional.com</a>
<b>Chauvet Europe Ltd</b>	
Address: Unit 1C Brookhill Road Industrial Estate Pinxton, Nottingham, UK NG16 6NT Voice: +44 (0) 1773 511115 Fax: +44 (0) 1773 511110	Email: <a href="mailto:UKtech@chauvetlighting.eu">UKtech@chauvetlighting.eu</a> Website: <a href="http://www.chauvetprofessional.eu">www.chauvetprofessional.eu</a>
<b>Chauvet Europe BVBA</b>	
Address: Stokstraat 18 9770 Kruishoutem Belgium Voice: +32 9 388 93 97	Email: <a href="mailto:BNLtech@chauvetlighting.eu">BNLtech@chauvetlighting.eu</a> Website: <a href="http://www.chauvetprofessional.eu">www.chauvetprofessional.eu</a>
<b>Chauvet France</b>	
Address: 3, Rue Ampère 91380 Chilly-Mazarin France Voice: +33 1 78 85 33 59	Email: <a href="mailto:FRtech@chauvetlighting.fr">FRtech@chauvetlighting.fr</a> Website: <a href="http://www.chauvetprofessional.eu">www.chauvetprofessional.eu</a>
<b>Chauvet Germany</b>	
Address: Bruno-Bürgel-Str. 11 28759 Bremen Germany Voice: +49 421 62 60 20	Email: <a href="mailto:DEtech@chauvetlighting.de">DEtech@chauvetlighting.de</a> Website: <a href="http://www.chauvetprofessional.eu">www.chauvetprofessional.eu</a>
<b>Chauvet Mexico</b>	
Address: Av. de las Partidas 34 - 3B (Entrance by Calle 2) Zona Industrial Lerma Lerma, Edo. de México, CP 52000 Voice: +52 (728) 690-2010	Email: <a href="mailto:servicio@chauvet.com.mx">servicio@chauvet.com.mx</a> Website: <a href="http://www.chauvetprofessional.mx">www.chauvetprofessional.mx</a>

Visit the applicable website above to verify our contact information and instructions to request support. Outside the U.S., U.K., Ireland, Mexico, France, Germany, or Benelux, contact the dealer of record.