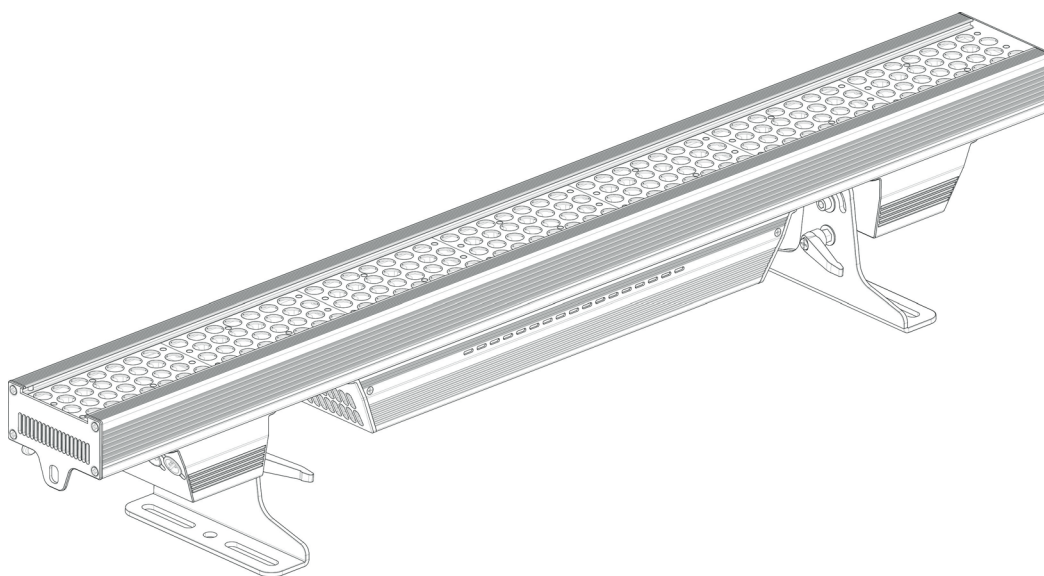


Ovation

B-1965FC

Quick Reference Guide

English	EN
Español	ES
Français	FR
Nederlands	NL



About This Guide

The Ovation B-1965FC Quick Reference Guide (QRG) has basic product information such as connection, mounting, menu options, and DMX values. Download the User Manual from www.chauvetprofessional.com for more details.

Disclaimer

The information and specifications contained in this QRG are subject to change without notice.

LIMITED WARRANTY

FOR WARRANTY REGISTRATION AND COMPLETE TERMS AND CONDITIONS PLEASE VISIT OUR WEBSITE.

For Customers in the United States and Mexico: www.chauvetlighting.com/warranty-registration

For Customers in the United Kingdom, Republic of Ireland, Belgium, the Netherlands, Luxembourg, France, and Germany: www.chauvetlighting.eu/warranty-registration/

Chauvet warrants that this product shall be free from defects in material and workmanship under normal use, for the period specified in and subject to the exclusions and limitations set forth in, the full limited warranty on our website. This warranty extends only to the original purchaser of the product and is not transferable. To exercise rights under this warranty, you must provide proof of purchase in the form of an original sales receipt from an authorized dealer that shows the product name and date of purchase. **THERE ARE NO OTHER EXPRESS OR IMPLIED WARRANTIES.** This warranty gives you specific legal rights. You may also have other rights that vary from state to state and country to country. This warranty is valid only in the United States, United Kingdom, Republic of Ireland, Belgium, the Netherlands, Luxembourg, France, Germany and Mexico. For warranty terms in other countries, please consult your local distributor.

Safety Notes

These Safety Notes include important information about installation, use, and maintenance.

- DO NOT open this product. It contains no user-serviceable parts.
- DO NOT look at the light source when the product is on.
- To eliminate unnecessary wear and improve its lifespan, during periods of non-use completely disconnect the product from power via breaker or by unplugging it.
- CAUTION: When transferring product from extreme temperature environments, (e.g. cold truck to warm humid ballroom) condensation may form on the internal electronics of the product. To avoid causing a failure, allow product to fully acclimate to the surrounding environment before connecting it to power.
- CAUTION: This product's housing may be hot when lights are operating.
- Mount this product in a location with adequate ventilation, at least 20 in (50 cm) from adjacent surfaces.
- DO NOT leave any flammable material within 50 cm of this product while operating or connected to power.
- USE a safety cable when mounting this product overhead.
- DO NOT operate this product outdoors or in any location where dust, excessive heat, water, or humidity may affect it. (IP20)
- DO NOT operate this product if the housing, lenses, or cables appear damaged.
- DO NOT connect this product to a dimmer or rheostat.
- ONLY connect this product to a grounded and protected circuit.
- ONLY use the hanging/mounting bracket or the handles to carry this product.
- In the event of a serious operating problem, stop using immediately.
- The maximum ambient temperature is 113 °F (45 °C). Do not operate this product at higher temperatures.

FCC Compliance

This device complies with Part 15 Part B of the FCC Rules. Operation is subject to the following two conditions:

1. This device may not cause harmful interference, and
2. This device must accept any interference received, including interference that may cause undesired operation.

Any changes or modifications not expressly approved by the party responsible for compliance could void the user's authority to operate the equipment.

Contact

Outside the US, UK, Ireland, Benelux, France, Germany, or Mexico, contact your distributor to request support or return a product. From inside the US, UK, Ireland, Benelux, France, Germany, or Mexico, use the information in [Contact Us](#) at the end of this QRG.

What is Included

- Ovation B-1965FC
- Neutrik® powerCON® power cord
- Wall washing filter
- Quick Reference Guide

AC Power

This product has an auto-ranging power supply that can work with an input voltage range of 100–240 VAC, 50/60 Hz.

Power Linking

You can link up to 3 Ovation B-1965FC products at 120 V, 6 products at 208 V, or 7 products at 230 V. Never exceed this number. Power-linking cords can be purchased separately.

AC Plug

Connection	Wire (U.S.)	Wire (Europe)	Screw Color
AC Live	Black	Brown	Yellow/Brass
AC Neutral	White	Blue	Silver
AC Ground	Green/Yellow	Green/Yellow	Green



To eliminate wear and improve its lifespan, during periods of non-use completely disconnect the product from power via breaker or by unplugging it.

Replacing the Fuse

1. Disconnect this product from power.
2. Using a Phillips #2 head screwdriver, unscrew the fuse holder cap from the housing.
3. Remove blown fuse and replace with a good fuse of the same type and rating.
4. Screw the fuse holder cap back in place and reconnect power.

Signal Connections

You can link the Ovation B-1965FC to a controller or controller software using a DMX connection or an Ethernet connection. If using other 7™ or sACN-compatible products with the Ovation B-1965FC, you can control each individually on a single network. See the User Manual for information about how to connect and configure the product for these signals.

Control Personalities

The Ovation B-1965FC uses DMX, Art-Net™, and sACN for its 17 control personalities, ranging from **3CH** to **96CH** in 1-cell modes and 7-cell modes:

Mode	1-Cell	7-Cell
DMX-VCW-CCT	3	N/A
HSV	3	21
RGB	3	21
RGBA	4	28
RGBAL	5	35
RGB EXT	8	45
RGBA EXT	9	52
RGBAL EXT	10	59
RGBAL Fine	10	70
RGBAL FULL	17	96

DMX Connection

The Ovation B-1965FC will work with a DMX controller using a 3- or 5-pin DMX data connection. A DMX Primer is available from www.chauvetprofessional.com.

Art-Net™ Connection

Art-Net™ is an Ethernet protocol that uses TCP/IP, which transfers a large amount of DMX512 data using an Neutrik® etherCON® RJ45 connection over a large network. An Art-Net™ protocol document is available from www.chauvetprofessional.com. Chauvet Professional recommends using unicast Art-Net™ for best results.

Art-Net™ designed by and copyright Artistic Licence Holdings Ltd.

sACN Connection

Also known as ANSI E1.31, Streaming-ACN is an Ethernet protocol that uses the layering and formatting of Architecture for Control Networks to transport DMX512 data over IP or any other ACN compatible network. ACN is maintained by the Professional Lighting and Sound Association (PLASA).

Master/Slave Connection

The Ovation B-1965FC uses the DMX data connection for its Master/Slave mode. See the User Manual for information about connect and configure the product for master/slave operation.

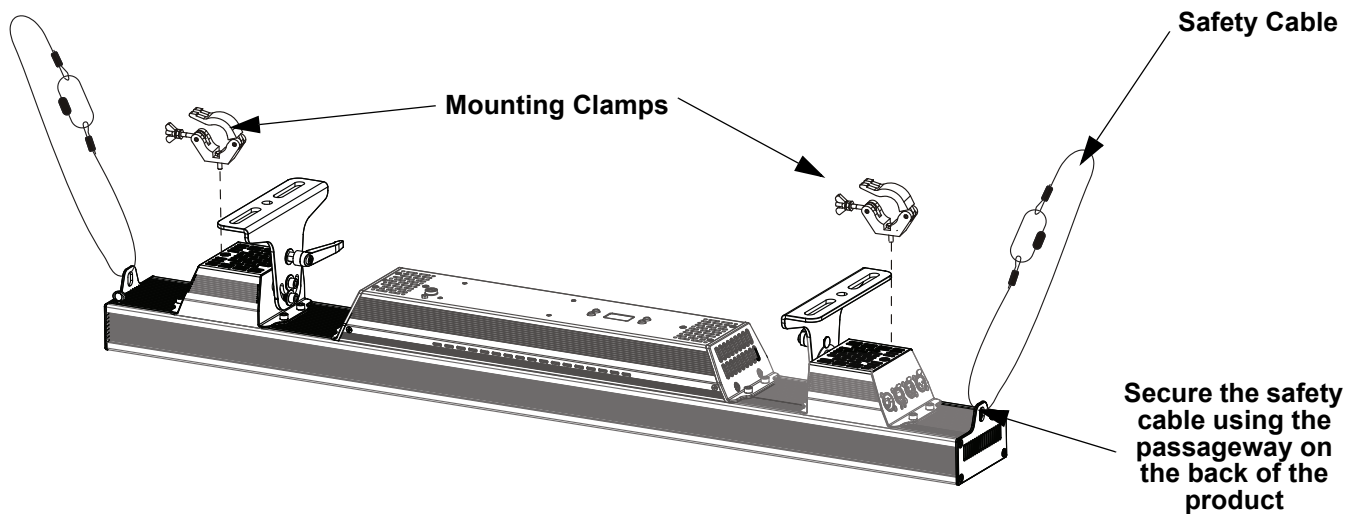
RDM (Remote Device Management)

Remote Device Management, or RDM, is a standard for allowing DMX-enabled devices to communicate bi-directionally along existing DMX cabling. The Ovation B-1965FC supports RDM protocol that allows feedback to monitor temperature and changes to **DMX Address** and **DMX Channel** menu options. Download the User Manual from www.chauvetprofessional.com for more details.

Mounting

Before mounting this product, read the [Safety Notes](#). Use at least two mounting points per product. Make sure the mounting clamps are capable of supporting the weight of the product. For our CHAUVET Professional line of mounting clamps, go to <http://trusst.com/products>.

Mounting Diagram



Web Server

The Ovation B-1965FC Web Server can be accessed by any computer on the same network as the product. It allows network access to system information, settings such as control protocol and starting address, color output testing, and the ability to change the Web Server password.

To access the Web Server:

1. Set the IP address of the network to have the same first digit as the IP address of the product.
2. Enter the IP address of the product into the URL bar of a web browser application.
3. Enter both the user name and password as **admin** to log in.

Virtual Color Wheel

The Ovation B-1965FC includes a feature called the Virtual Color Wheel (VCW). This feature is available as a standalone control mode for manual use and as a control channel in select DMX personalities. More than 30 pre-mixed colors, custom blended by our engineers, are available to call up for easier programming.

The DMX values used to mix these colors are provided below. You may adjust the overall intensity of the Ovation fixture in order to more closely replicate colors you are familiar with. A chart is available on our website www.chauvetprofessional.com to compare our pre-mixed colors with popular gel colors. This chart is for comparison purposes only and is not a representation that our pre-mixed colors match any of the gel colors listed.

Virtual Color Wheel Chart

DMX Channel Value	Display Readout	Red Value	Green Value	Blue Value	Amber Value	Lime Value
000 ⇔ 005	--	000	000	000	000	000
006 ⇔ 013	C3050 - Md Yellow	150	125	002	255	043
014 ⇔ 021	C3040 - Lt Yellow	235	108	005	255	076
022 ⇔ 028	C3240 - Amb Yellow	171	036	000	120	255
029 ⇔ 035	C2340 - VLt Amber	255	015	017	255	170
036 ⇔ 043	C2040 - Lt Amber	255	000	010	255	143
044 ⇔ 051	C2050 - Md Amber	255	000	003	255	075
052 ⇔ 059	C2060 - Dk Amber	188	000	002	255	044
060 ⇔ 067	C1050 - Lt Red	255	000	002	021	002
068 ⇔ 075	C1080 - Md Red	255	000	002	000	000
076 ⇔ 083	C1020 - NC Pink	255	130	025	255	027
084 ⇔ 091	C1030 - Md Pink	255	013	041	235	182
092 ⇔ 099	C1630 - Dk Pink	255	015	027	030	255
100 ⇔ 107	C1250 - Md Red Amber	255	000	004	115	009
108 ⇔ 115	C1060 - Dk Red Amber	255	000	004	011	008
116 ⇔ 121	C1650 - Magenta	255	000	022	081	039
122 ⇔ 130	C6170 - Dk Magenta	160	000	025	000	004
131 ⇔ 138	C6020 - Lt Lavender	255	162	043	255	140
139 ⇔ 146	C5030 - Lt Blue	012	255	070	076	115
147 ⇔ 154	C5020 - VLt Blue	030	187	085	215	255
155 ⇔ 162	C5430 - Lt Blue 2	004	255	062	093	049
163 ⇔ 170	C5070 - Blue	005	255	190	003	012
171 ⇔ 178	C5050 - Md Blue	008	250	145	005	088
179 ⇔ 186	C5060 - Dk Blue	005	209	255	015	074
187 ⇔ 194	C5690 - Indigo	005	000	200	013	003
195 ⇔ 202	C5080 - Vdk Blue	007	112	255	005	007
203 ⇔ 210	C5081 - Vdk Blue 2	004	108	255	003	004
211 ⇔ 218	C4370 - Yel Green	004	255	000	005	003
219 ⇔ 226	C4070 - Green	027	255	006	000	020
227 ⇔ 234	C4550 - Turquoise	007	255	021	070	076
235 ⇔ 242	C4560 - Aqua	007	255	031	085	115
243 ⇔ 250	C4570 - Blue Green	002	255	017	002	020
251 ⇔ 255	--	000	000	000	000	000



Note: The colors above are simulated renditions of the color output produced as compared with other similar incandescent products. Chauvet makes no guarantee of the color output accuracy.

Color Temperature Chart

DMX Channel Value	Display Readout	Red Value	Green Value	Blue Value	Amber Value	Lime Value
000 ⇔ 005	--	000	000	000	000	000
006 ⇔ 025	2800K	237	120	036	255	255
026 ⇔ 050	3000K	220	128	050	255	255
051 ⇔ 075	3200K	176	128	057	255	255
076 ⇔ 100	3500K	154	128	080	255	255
101 ⇔ 125	4000K	128	128	112	255	255
126 ⇔ 150	4500K	108	128	133	255	255
151 ⇔ 175	5000K	097	128	152	255	255
176 ⇔ 200	5600K	087	128	170	255	255
201 ⇔ 225	6000K	075	128	177	255	255
226 ⇔ 250	6500K	066	128	187	255	255
251 ⇔ 255	--	000	000	000	000	000



Note: The color temperatures above are simulated renditions of the color output produced as compared with a tungsten lamp at the specified color temperature. Chauvet makes no guarantee of the color output accuracy.

Control Panel Description

Button	Function
<MENU>	Exits from the current menu or function
<ENTER>	Enables the currently displayed menu or sets the currently selected value into the selected function
<UP>	Navigates upwards through the menu list and increases the numeric value when in a function
<DOWN>	Navigates downwards through the menu list and decreases the numeric value when in a function

Menu Map

Main Level	Programming Levels		Description
Protocol	DMX512		Selects the control protocol
	ArtNet		
	sACN		
Start Address	001–510*		Selects starting address (*highest channel restricted to personality chosen)
Personality	1-Cell	DMX-VCW-CCT 3CH	3-channel: dimmer, virtual color wheel, color temperature
		HSV 3CH	3-channel: HSV control
		RGB 3CH	3-channel: RGB
		RGBA 4CH	4-channel: RGBA
		RGBAL 5CH	5-channel: RGBAL
		RGB EXT 8CH	8-channel: 16-bit dimmer, RGB, virtual color wheel, color temperature, strobe
		RGBA EXT 9CH	9-channel: 16-bit dimmer, RGBA, virtual color wheel, color temperature, strobe
		RGBAL EXT 10CH	10-channel: 16-bit dimmer, RGBAL, virtual color wheel, color temperature, strobe
		RGBAL Fine 10CH	10-channel: 16-bit RGBAL
	RGBAL FULL 17CH	17-channel: 16-bit dimmer, 16-bit RGBAL, virtual color wheel, color temperature, strobe, color macros, dimmer mode	
	7-Cell	RGB 21CH	21-channel: RGB (per cell)
		HSV 21CH	21-channel: HSV control (per cell)
		RGBA 28CH	28-channel: RGBA (per cell)
		RGBAL 35CH	35-channel: RGBAL (per cell)
		RGB EXT 45CH	45-channel: 16-bit dimmer, RGB (per cell), virtual color wheel (per cell), color temperature (per cell), strobe (per cell)
		RGBA EXT 52CH	52-channel: 16-bit dimmer, RGBA (per cell), virtual color wheel (per cell), color temperature (per cell), strobe (per cell)
		RGBAL EXT 59CH	59-channel: 16-bit dimmer, RGBAL (per cell), virtual color wheel (per cell), color temperature (per cell), strobe (per cell)
		RGBAL Fine 70CH	70-channel: 16-bit RGBAL (per cell)
		RGBAL FULL 96CH	96-channel: 16-bit dimmer, 16-bit RGBAL (per cell), virtual color wheel (per cell), color temperature (per cell), strobe (per cell), color macros, dimmer mode

Main Level	Programming Levels		Description	
Virtual Color Wheel	Virtual Color Wheel	C3050 - Md Yellow	<000–255>	
		C3040 - Lt Yellow		
		C3240 - Amb Yellow		
		C2340 - VLt Amber		
		C2040 - Lt Amber		
		C2050 - Md Amber		
		C2060 - Dk Amber		
		C1050 - Lt Red		
		C1080 - Md Red		
		C1020 - NC Pink		
		C1030 - Md Pink		
		C1630 - Dk Pink		
		C1250 - Md Red Amber		
		C1060 - Dk Red Amber		
		C1650 - Magenta		
		C6170 - Dk Magenta		
		C6020 - Lt Lavender		
		C5030 - Lt Blue		
		C5020 - VLt Blue		
		C5430 - Lt Blue 2		
		C5070 - Blue		
		C5050 - Md Blue		
		C5060 - Dk Blue		
		C5690 - Indigo		
		C5080 - VDK Blue		
	C5081 - VDK Blue 2			
	C4370 - Yel Green			
	C4070 - Green			
	C4550 - Turquoise			
	C4560 - Aqua			
	C4570 - Blue Green			
	Color Temperature	2800K		Dimmer
		3000K		
3200K				
3500K				
4000K				
4500K				
5000K				
5600K				
6000K				
6500K				
Manual Color Mixer	Red			
	Green			
	Blue			
	Amber			
	Lime			
Auto Show	Auto 1	Speed 1–100		
	Auto 2			
	Auto 3			
	Auto 4			
	Auto 5			
	Auto 6			
	Auto 7			
	Auto 8			
	Auto 9			
	Fade			
Virtual Color Wheel			Virtual Color Wheel simulates the output of each gel color. Refer to the Virtual Color Wheel Chart section for specific values.	
Color Temperature			Preset white color temperatures. Emulates a tungsten lamp at the specified color temperature. Refer to the Color Temperature Chart section for specific values.	
Manual Color Mixer			Combine red, green, blue, amber, and lime to make a custom color (0–100%)	
Auto Show			Selects automatic programs and auto program speed	

Main Level	Programming Levels		Description	
Master/Slave	Master		Master mode	
	Slave		Slave mode	
Dimmer Mode	Off		Linear dimmer	
	Dimmer 1		Fast dimmer curve	
	Dimmer 2		Medium dimmer curve	
	Dimmer 3		Slow dimmer curve	
White Balance	Off		Uses factory default white setting	
	Manual	Red	125–255	Sets red LED maximum value
		Green		Sets green LED maximum value
		Blue		Sets blue LED maximum value
		Amber		Sets amber LED maximum value
		Lime		Sets lime LED maximum value
LED Frequency	600Hz		Selects the PWM output frequency	
	1200Hz			
	2000Hz			
	4000Hz			
	6000Hz			
	25KHz			
Fan Mode	Auto		Sets the fan to auto mode	
	On		Sets the fan to always on	
	Off		Sets the fan to always off	
	Silent		Sets the fan to silent	
Display	Normal		Normal display orientation	
	Inverted		Inverted display	
Back Light	10S		Turns off display backlight after 10 seconds of inactivity	
	30S		Turns off display backlight after 30 seconds of inactivity	
	2Min		Turns off display backlight after 2 minutes of inactivity	
	On		Display backlight always on	
Ethernet Setting	Universe	1 (DMX)	Sets universe for Art-Net™ or sACN	
		0–255 (Art-Net™)		
		1–256 (sACN)		
IP Address	---	Sets IP address		
Information	Fixture Hours	----	Shows total product hours	
	Version	V _-V _-	Shows installed software version	
	Device ID	-----	Shows product device ID	
	UID:	-----	Shows product UID	
Factory Setting	No		Reset to factory defaults	
	Yes			

DMX Values
7-Cell Personalities
7-Cell RGBAL FULL 96CH

Channel	Function	Value	Percent/Setting
1	Dimmer	000 ⇔ 255	0–100%
2	Dimmer fine	000 ⇔ 255	0–100%
3	Red 1	000 ⇔ 255	0–100%
4	Red fine 1	000 ⇔ 255	0–100%
5	Green 1	000 ⇔ 255	0–100%
6	Green fine 1	000 ⇔ 255	0–100%
7	Blue 1	000 ⇔ 255	0–100%
8	Blue fine 1	000 ⇔ 255	0–100%
9	Amber 1	000 ⇔ 255	0–100%
10	Amber fine 1	000 ⇔ 255	0–100%
11	Lime 1	000 ⇔ 255	0–100%
12	Lime fine 1	000 ⇔ 255	0–100%
13	Virtual Color Wheel 1	000 ⇔ 255	Refer to the Virtual Color Wheel Chart section for specific values
14	Color Temperature 1	000 ⇔ 255	Refer to the Color Temperature Chart section for specific values
15	Strobe 1	000 ⇔ 010 011 ⇔ 255	No function Strobe, slow to fast
16	Red 2	000 ⇔ 255	0–100%
17	Red fine 2	000 ⇔ 255	0–100%
18	Green 2	000 ⇔ 255	0–100%
19	Green fine 2	000 ⇔ 255	0–100%
20	Blue 2	000 ⇔ 255	0–100%
21	Blue fine 2	000 ⇔ 255	0–100%
22	Amber 2	000 ⇔ 255	0–100%
23	Amber fine 2	000 ⇔ 255	0–100%
24	Lime 2	000 ⇔ 255	0–100%
25	Lime fine 2	000 ⇔ 255	0–100%
26	Virtual Color Wheel 2	000 ⇔ 255	Refer to the Virtual Color Wheel Chart section for specific values
27	Color Temperature 2	000 ⇔ 255	Refer to the Color Temperature Chart section for specific values
28	Strobe 2	000 ⇔ 010 011 ⇔ 255	No function Strobe, slow to fast
29	Red 3	000 ⇔ 255	0–100%
30	Red fine 3	000 ⇔ 255	0–100%
31	Green 3	000 ⇔ 255	0–100%
32	Green fine 3	000 ⇔ 255	0–100%
33	Blue 3	000 ⇔ 255	0–100%
34	Blue fine 3	000 ⇔ 255	0–100%
35	Amber 3	000 ⇔ 255	0–100%
36	Amber fine 3	000 ⇔ 255	0–100%
37	Lime 3	000 ⇔ 255	0–100%
38	Lime fine 3	000 ⇔ 255	0–100%
39	Virtual Color Wheel 3	000 ⇔ 255	Refer to the Virtual Color Wheel Chart section for specific values
40	Color Temperature 3	000 ⇔ 255	Refer to the Color Temperature Chart section for specific values
41	Strobe 3	000 ⇔ 010 011 ⇔ 255	No function Strobe, slow to fast
42	Red 4	000 ⇔ 255	0–100%
43	Red fine 4	000 ⇔ 255	0–100%
44	Green 4	000 ⇔ 255	0–100%

Channel	Function	Value	Percent/Setting
45	Green fine 4	000 ⇄ 255	0–100%
46	Blue 4	000 ⇄ 255	0–100%
47	Blue fine 4	000 ⇄ 255	0–100%
48	Amber 4	000 ⇄ 255	0–100%
49	Amber fine 4	000 ⇄ 255	0–100%
50	Lime 4	000 ⇄ 255	0–100%
51	Lime fine 4	000 ⇄ 255	0–100%
52	Virtual Color Wheel 4	000 ⇄ 255	Refer to the Virtual Color Wheel Chart section for specific values
53	Color Temperature 4	000 ⇄ 255	Refer to the Color Temperature Chart section for specific values
54	Strobe 4	000 ⇄ 010	No function
		011 ⇄ 255	Strobe, slow to fast
55	Red 5	000 ⇄ 255	0–100%
56	Red fine 5	000 ⇄ 255	0–100%
57	Green 5	000 ⇄ 255	0–100%
58	Green fine 5	000 ⇄ 255	0–100%
59	Blue 5	000 ⇄ 255	0–100%
60	Blue fine 5	000 ⇄ 255	0–100%
61	Amber 5	000 ⇄ 255	0–100%
62	Amber fine 5	000 ⇄ 255	0–100%
63	Lime 5	000 ⇄ 255	0–100%
64	Lime fine 5	000 ⇄ 255	0–100%
65	Virtual Color Wheel 5	000 ⇄ 255	Refer to the Virtual Color Wheel Chart section for specific values
66	Color Temperature 5	000 ⇄ 255	Refer to the Color Temperature Chart section for specific values
67	Strobe 5	000 ⇄ 010	No function
		011 ⇄ 255	Strobe, slow to fast
68	Red 6	000 ⇄ 255	0–100%
69	Red fine 6	000 ⇄ 255	0–100%
70	Green 6	000 ⇄ 255	0–100%
71	Green fine 6	000 ⇄ 255	0–100%
72	Blue 6	000 ⇄ 255	0–100%
73	Blue fine 6	000 ⇄ 255	0–100%
74	Amber 6	000 ⇄ 255	0–100%
75	Amber fine 6	000 ⇄ 255	0–100%
76	Lime 6	000 ⇄ 255	0–100%
77	Lime fine 6	000 ⇄ 255	0–100%
78	Virtual Color Wheel 6	000 ⇄ 255	Refer to the Virtual Color Wheel Chart section for specific values
79	Color Temperature 6	000 ⇄ 255	Refer to the Color Temperature Chart section for specific values
80	Strobe 6	000 ⇄ 010	No function
		011 ⇄ 255	Strobe, slow to fast
81	Red 7	000 ⇄ 255	0–100%
82	Red fine 7	000 ⇄ 255	0–100%
83	Green 7	000 ⇄ 255	0–100%
84	Green fine 7	000 ⇄ 255	0–100%
85	Blue 7	000 ⇄ 255	0–100%
86	Blue fine 7	000 ⇄ 255	0–100%
87	Amber 7	000 ⇄ 255	0–100%
88	Amber fine 7	000 ⇄ 255	0–100%
89	Lime 7	000 ⇄ 255	0–100%
90	Lime fine 7	000 ⇄ 255	0–100%
91	Virtual Color Wheel 7	000 ⇄ 255	Refer to the Virtual Color Wheel Chart section for specific values
92	Color Temperature 7	000 ⇄ 255	Refer to the Color Temperature Chart section for specific values
93	Strobe 7	000 ⇄ 010	No function
		011 ⇄ 255	Strobe, slow to fast
94	Strobe all	000 ⇄ 010	No function
		011 ⇄ 255	Strobe, slow to fast

Channel	Function	Value	Percent/Setting
95	Color macros	000 ⇔ 015	No function
		016 ⇔ 255	Color macros
96	Dimmer speed	000 ⇔ 051	Preset dimmer speed from display menu
		052 ⇔ 101	Dimmer speed mode off
		102 ⇔ 152	Dimmer speed mode 1 (fastest)
		153 ⇔ 203	Dimmer speed mode 2
		204 ⇔ 255	Dimmer speed mode 3 (slowest)

7-Cell RGBAL Fine 70CH

Channel	Function	Value	Percent/Setting
1	Red 1	000 ⇔ 255	0–100%
2	Red fine 1	000 ⇔ 255	0–100%
3	Green 1	000 ⇔ 255	0–100%
4	Green fine 1	000 ⇔ 255	0–100%
5	Blue 1	000 ⇔ 255	0–100%
6	Blue fine 1	000 ⇔ 255	0–100%
7	Amber 1	000 ⇔ 255	0–100%
8	Amber fine 1	000 ⇔ 255	0–100%
9	Lime 1	000 ⇔ 255	0–100%
10	Lime fine 1	000 ⇔ 255	0–100%
11	Red 2	000 ⇔ 255	0–100%
12	Red fine 2	000 ⇔ 255	0–100%
13	Green 2	000 ⇔ 255	0–100%
14	Green fine 2	000 ⇔ 255	0–100%
15	Blue 2	000 ⇔ 255	0–100%
16	Blue fine 2	000 ⇔ 255	0–100%
17	Amber 2	000 ⇔ 255	0–100%
18	Amber fine 2	000 ⇔ 255	0–100%
19	Lime 2	000 ⇔ 255	0–100%
20	Lime fine 2	000 ⇔ 255	0–100%
21	Red 3	000 ⇔ 255	0–100%
22	Red fine 3	000 ⇔ 255	0–100%
23	Green 3	000 ⇔ 255	0–100%
24	Green fine 3	000 ⇔ 255	0–100%
25	Blue 3	000 ⇔ 255	0–100%
26	Blue fine 3	000 ⇔ 255	0–100%
27	Amber 3	000 ⇔ 255	0–100%
28	Amber fine 3	000 ⇔ 255	0–100%
29	Lime 3	000 ⇔ 255	0–100%
30	Lime fine 3	000 ⇔ 255	0–100%
31	Red 4	000 ⇔ 255	0–100%
32	Red fine 4	000 ⇔ 255	0–100%
33	Green 4	000 ⇔ 255	0–100%
34	Green fine 4	000 ⇔ 255	0–100%
35	Blue 4	000 ⇔ 255	0–100%
36	Blue fine 4	000 ⇔ 255	0–100%
37	Amber 4	000 ⇔ 255	0–100%
38	Amber fine 4	000 ⇔ 255	0–100%
39	Lime 4	000 ⇔ 255	0–100%
40	Lime fine 4	000 ⇔ 255	0–100%
41	Red 5	000 ⇔ 255	0–100%
42	Red fine 5	000 ⇔ 255	0–100%
43	Green 5	000 ⇔ 255	0–100%
44	Green fine 5	000 ⇔ 255	0–100%
45	Blue 5	000 ⇔ 255	0–100%

Channel	Function	Value	Percent/Setting
46	Blue fine 5	000 ⇄ 255	0–100%
47	Amber 5	000 ⇄ 255	0–100%
48	Amber fine 5	000 ⇄ 255	0–100%
49	Lime 5	000 ⇄ 255	0–100%
50	Lime fine 5	000 ⇄ 255	0–100%
51	Red 6	000 ⇄ 255	0–100%
52	Red fine 6	000 ⇄ 255	0–100%
53	Green 6	000 ⇄ 255	0–100%
54	Green fine 6	000 ⇄ 255	0–100%
55	Blue 6	000 ⇄ 255	0–100%
56	Blue fine 6	000 ⇄ 255	0–100%
57	Amber 6	000 ⇄ 255	0–100%
58	Amber fine 6	000 ⇄ 255	0–100%
59	Lime 6	000 ⇄ 255	0–100%
60	Lime fine 6	000 ⇄ 255	0–100%
61	Red 7	000 ⇄ 255	0–100%
62	Red fine 7	000 ⇄ 255	0–100%
63	Green 7	000 ⇄ 255	0–100%
64	Green fine 7	000 ⇄ 255	0–100%
65	Blue 7	000 ⇄ 255	0–100%
66	Blue fine 7	000 ⇄ 255	0–100%
67	Amber 7	000 ⇄ 255	0–100%
68	Amber fine 7	000 ⇄ 255	0–100%
69	Lime 7	000 ⇄ 255	0–100%
70	Lime fine 7	000 ⇄ 255	0–100%

7-Cell RGBAL EXT 59CH

Channel	Function	Value	Percent/Setting
1	Dimmer	000 ⇄ 255	0–100%
2	Dimmer fine	000 ⇄ 255	0–100%
3	Red 1	000 ⇄ 255	0–100%
4	Green 1	000 ⇄ 255	0–100%
5	Blue 1	000 ⇄ 255	0–100%
6	Amber 1	000 ⇄ 255	0–100%
7	Lime 1	000 ⇄ 255	0–100%
8	Virtual Color Wheel 1	000 ⇄ 255	Refer to the Virtual Color Wheel Chart section for specific values
9	Color Temperature 1	000 ⇄ 255	Refer to the Color Temperature Chart section for specific values
10	Strobe 1	000 ⇄ 010 011 ⇄ 255	No function Strobe, slow to fast
11	Red 2	000 ⇄ 255	0–100%
12	Green 2	000 ⇄ 255	0–100%
13	Blue 2	000 ⇄ 255	0–100%
14	Amber 2	000 ⇄ 255	0–100%
15	Lime 2	000 ⇄ 255	0–100%
16	Virtual Color Wheel 2	000 ⇄ 255	Refer to the Virtual Color Wheel Chart section for specific values
17	Color Temperature 2	000 ⇄ 255	Refer to the Color Temperature Chart section for specific values
18	Strobe 2	000 ⇄ 010 011 ⇄ 255	No function Strobe, slow to fast
19	Red 3	000 ⇄ 255	0–100%
20	Green 3	000 ⇄ 255	0–100%
21	Blue 3	000 ⇄ 255	0–100%
22	Amber 3	000 ⇄ 255	0–100%
23	Lime 3	000 ⇄ 255	0–100%
24	Virtual Color Wheel 3	000 ⇄ 255	Refer to the Virtual Color Wheel Chart section for specific values
25	Color Temperature 3	000 ⇄ 255	Refer to the Color Temperature Chart section for specific values

Channel	Function	Value	Percent/Setting
26	Strobe 3	000 ⇔ 010	No function
		011 ⇔ 255	Strobe, slow to fast
27	Red 4	000 ⇔ 255	0–100%
28	Green 4	000 ⇔ 255	0–100%
29	Blue 4	000 ⇔ 255	0–100%
30	Amber 4	000 ⇔ 255	0–100%
31	Lime 4	000 ⇔ 255	0–100%
32	Virtual Color Wheel 4	000 ⇔ 255	Refer to the Virtual Color Wheel Chart section for specific values
33	Color Temperature 4	000 ⇔ 255	Refer to the Color Temperature Chart section for specific values
34	Strobe 4	000 ⇔ 010	No function
		011 ⇔ 255	Strobe, slow to fast
35	Red 5	000 ⇔ 255	0–100%
36	Green 5	000 ⇔ 255	0–100%
37	Blue 5	000 ⇔ 255	0–100%
38	Amber 5	000 ⇔ 255	0–100%
39	Lime 5	000 ⇔ 255	0–100%
40	Virtual Color Wheel 5	000 ⇔ 255	Refer to the Virtual Color Wheel Chart section for specific values
41	Color Temperature 5	000 ⇔ 255	Refer to the Color Temperature Chart section for specific values
42	Strobe 5	000 ⇔ 010	No function
		011 ⇔ 255	Strobe, slow to fast
43	Red 6	000 ⇔ 255	0–100%
44	Green 6	000 ⇔ 255	0–100%
45	Blue 6	000 ⇔ 255	0–100%
46	Amber 6	000 ⇔ 255	0–100%
47	Lime 6	000 ⇔ 255	0–100%
48	Virtual Color Wheel 6	000 ⇔ 255	Refer to the Virtual Color Wheel Chart section for specific values
49	Color Temperature 6	000 ⇔ 255	Refer to the Color Temperature Chart section for specific values
50	Strobe 6	000 ⇔ 010	No function
		011 ⇔ 255	Strobe, slow to fast
51	Red 7	000 ⇔ 255	0–100%
52	Green 7	000 ⇔ 255	0–100%
53	Blue 7	000 ⇔ 255	0–100%
54	Amber 7	000 ⇔ 255	0–100%
55	Lime 7	000 ⇔ 255	0–100%
56	Virtual Color Wheel 7	000 ⇔ 255	Refer to the Virtual Color Wheel Chart section for specific values
57	Color Temperature 7	000 ⇔ 255	Refer to the Color Temperature Chart section for specific values
58	Strobe 7	000 ⇔ 010	No function
		011 ⇔ 255	Strobe, slow to fast
59	Strobe all	000 ⇔ 010	No function
		011 ⇔ 255	Strobe, slow to fast

7-Cell RGBA EXT 52CH

Channel	Function	Value	Percent/Setting
1	Dimmer	000 ⇔ 255	0–100%
2	Dimmer Fine	000 ⇔ 255	0–100%
3	Red 1	000 ⇔ 255	0–100%
4	Green 1	000 ⇔ 255	0–100%
5	Blue 1	000 ⇔ 255	0–100%
6	Amber 1	000 ⇔ 255	0–100%
7	Virtual Color Wheel 1	000 ⇔ 255	Refer to the Virtual Color Wheel Chart section for specific values
8	Color Temperature 1	000 ⇔ 255	Refer to the Color Temperature Chart section for specific values
9	Strobe 1	000 ⇔ 010	No function
		011 ⇔ 255	Strobe, slow to fast
10	Red 2	000 ⇔ 255	0–100%
11	Green 2	000 ⇔ 255	0–100%

Channel	Function	Value	Percent/Setting
12	Blue 2	000 ⇄ 255	0–100%
13	Amber 2	000 ⇄ 255	0–100%
14	Virtual Color Wheel 2	000 ⇄ 255	Refer to the Virtual Color Wheel Chart section for specific values
15	Color Temperature 2	000 ⇄ 255	Refer to the Color Temperature Chart section for specific values
16	Strobe 2	000 ⇄ 010 011 ⇄ 255	No function Strobe, slow to fast
17	Red 3	000 ⇄ 255	0–100%
18	Green 3	000 ⇄ 255	0–100%
19	Blue 3	000 ⇄ 255	0–100%
20	Amber 3	000 ⇄ 255	0–100%
21	Virtual Color Wheel 3	000 ⇄ 255	Refer to the Virtual Color Wheel Chart section for specific values
22	Color Temperature 3	000 ⇄ 255	Refer to the Color Temperature Chart section for specific values
23	Strobe 3	000 ⇄ 010 011 ⇄ 255	No function Strobe, slow to fast
24	Red 4	000 ⇄ 255	0–100%
25	Green 4	000 ⇄ 255	0–100%
26	Blue 4	000 ⇄ 255	0–100%
27	Amber 4	000 ⇄ 255	0–100%
28	Virtual Color Wheel 4	000 ⇄ 255	Refer to the Virtual Color Wheel Chart section for specific values
29	Color Temperature 4	000 ⇄ 255	Refer to the Color Temperature Chart section for specific values
30	Strobe 4	000 ⇄ 010 011 ⇄ 255	No function Strobe, slow to fast
31	Red 5	000 ⇄ 255	0–100%
32	Green 5	000 ⇄ 255	0–100%
33	Blue 5	000 ⇄ 255	0–100%
34	Amber 5	000 ⇄ 255	0–100%
35	Virtual Color Wheel 5	000 ⇄ 255	Refer to the Virtual Color Wheel Chart section for specific values
36	Color Temperature 5	000 ⇄ 255	Refer to the Color Temperature Chart section for specific values
37	Strobe 5	000 ⇄ 010 011 ⇄ 255	No function Strobe, slow to fast
38	Red 6	000 ⇄ 255	0–100%
39	Green 6	000 ⇄ 255	0–100%
40	Blue 6	000 ⇄ 255	0–100%
41	Amber 6	000 ⇄ 255	0–100%
42	Virtual Color Wheel 6	000 ⇄ 255	Refer to the Virtual Color Wheel Chart section for specific values
43	Color Temperature 6	000 ⇄ 255	Refer to the Color Temperature Chart section for specific values
44	Strobe 6	000 ⇄ 010 011 ⇄ 255	No function Strobe, slow to fast
45	Red 7	000 ⇄ 255	0–100%
46	Green 7	000 ⇄ 255	0–100%
47	Blue 7	000 ⇄ 255	0–100%
48	Amber 7	000 ⇄ 255	0–100%
49	Virtual Color Wheel 7	000 ⇄ 255	Refer to the Virtual Color Wheel Chart section for specific values
50	Color Temperature 7	000 ⇄ 255	Refer to the Color Temperature Chart section for specific values
51	Strobe 7	000 ⇄ 010 011 ⇄ 255	No function Strobe, slow to fast
52	Strobe all	000 ⇄ 010 011 ⇄ 255	No function Strobe, slow to fast

7-Cell RGB EXT 45CH

Channel	Function	Value	Percent/Setting
1	Dimmer	000 ⇄ 255	0–100%
2	Dimmer fine	000 ⇄ 255	0–100%
3	Red 1	000 ⇄ 255	0–100%
4	Green 1	000 ⇄ 255	0–100%
5	Blue 1	000 ⇄ 255	0–100%
6	Virtual Color Wheel 1	000 ⇄ 255	Refer to the Virtual Color Wheel Chart section for specific values
7	Color Temperature 1	000 ⇄ 255	Refer to the Color Temperature Chart section for specific values
8	Strobe 1	000 ⇄ 010 011 ⇄ 255	No function Strobe, slow to fast
9	Red 2	000 ⇄ 255	0–100%
10	Green 2	000 ⇄ 255	0–100%
11	Blue 2	000 ⇄ 255	0–100%
12	Virtual Color Wheel 2	000 ⇄ 255	Refer to the Virtual Color Wheel Chart section for specific values
13	Color Temperature 2	000 ⇄ 255	Refer to the Color Temperature Chart section for specific values
14	Strobe 2	000 ⇄ 010 011 ⇄ 255	No function Strobe, slow to fast
15	Red 3	000 ⇄ 255	0–100%
16	Green 3	000 ⇄ 255	0–100%
17	Blue 3	000 ⇄ 255	0–100%
18	Virtual Color Wheel 3	000 ⇄ 255	Refer to the Virtual Color Wheel Chart section for specific values
19	Color Temperature 3	000 ⇄ 255	Refer to the Color Temperature Chart section for specific values
20	Strobe 3	000 ⇄ 010 011 ⇄ 255	No function Strobe, slow to fast
21	Red 4	000 ⇄ 255	0–100%
22	Green 4	000 ⇄ 255	0–100%
23	Blue 4	000 ⇄ 255	0–100%
24	Virtual Color Wheel 4	000 ⇄ 255	Refer to the Virtual Color Wheel Chart section for specific values
25	Color Temperature 4	000 ⇄ 255	Refer to the Color Temperature Chart section for specific values
26	Strobe 4	000 ⇄ 010 011 ⇄ 255	No function Strobe, slow to fast
27	Red 5	000 ⇄ 255	0–100%
28	Green 5	000 ⇄ 255	0–100%
29	Blue 5	000 ⇄ 255	0–100%
30	Virtual Color Wheel 5	000 ⇄ 255	Refer to the Virtual Color Wheel Chart section for specific values
31	Color Temperature 5	000 ⇄ 255	Refer to the Color Temperature Chart section for specific values
32	Strobe 5	000 ⇄ 010 011 ⇄ 255	No function Strobe, slow to fast
33	Red 6	000 ⇄ 255	0–100%
34	Green 6	000 ⇄ 255	0–100%
35	Blue 6	000 ⇄ 255	0–100%
36	Virtual Color Wheel 6	000 ⇄ 255	Refer to the Virtual Color Wheel Chart section for specific values
37	Color Temperature 6	000 ⇄ 255	Refer to the Color Temperature Chart section for specific values
38	Strobe 6	000 ⇄ 010 011 ⇄ 255	No function Strobe, slow to fast
39	Red 7	000 ⇄ 255	0–100%
40	Green 7	000 ⇄ 255	0–100%
41	Blue 7	000 ⇄ 255	0–100%
42	Virtual Color Wheel 7	000 ⇄ 255	Refer to the Virtual Color Wheel Chart section for specific values
43	Color Temperature 7	000 ⇄ 255	Refer to the Color Temperature Chart section for specific values
44	Strobe 7	000 ⇄ 010 011 ⇄ 255	No function Strobe, slow to fast
45	Strobe all	000 ⇄ 010 011 ⇄ 255	No function Strobe, slow to fast

7-Cell RGBAL 35CH

Channel	Function	Value	Percent/Setting
1	Red 1	000 ⇄ 255	0-100%
2	Green 1	000 ⇄ 255	0-100%
3	Blue 1	000 ⇄ 255	0-100%
4	Amber 1	000 ⇄ 255	0-100%
5	Lime 1	000 ⇄ 255	0-100%
6	Red 2	000 ⇄ 255	0-100%
7	Green 2	000 ⇄ 255	0-100%
8	Blue 2	000 ⇄ 255	0-100%
9	Amber 2	000 ⇄ 255	0-100%
10	Lime 2	000 ⇄ 255	0-100%
11	Red 3	000 ⇄ 255	0-100%
12	Green 3	000 ⇄ 255	0-100%
13	Blue 3	000 ⇄ 255	0-100%
14	Amber 3	000 ⇄ 255	0-100%
15	Lime 3	000 ⇄ 255	0-100%
16	Red 4	000 ⇄ 255	0-100%
17	Green 4	000 ⇄ 255	0-100%
18	Blue 4	000 ⇄ 255	0-100%
19	Amber 4	000 ⇄ 255	0-100%
20	Lime 4	000 ⇄ 255	0-100%
21	Red 5	000 ⇄ 255	0-100%
22	Green 5	000 ⇄ 255	0-100%
23	Blue 5	000 ⇄ 255	0-100%
24	Amber 5	000 ⇄ 255	0-100%
25	Lime 5	000 ⇄ 255	0-100%
26	Red 6	000 ⇄ 255	0-100%
27	Green 6	000 ⇄ 255	0-100%
28	Blue 6	000 ⇄ 255	0-100%
29	Amber 6	000 ⇄ 255	0-100%
30	Lime 6	000 ⇄ 255	0-100%
31	Red 7	000 ⇄ 255	0-100%
32	Green 7	000 ⇄ 255	0-100%
33	Blue 7	000 ⇄ 255	0-100%
34	Amber 7	000 ⇄ 255	0-100%
35	Lime 7	000 ⇄ 255	0-100%

7-Cell RGBA 28CH

Channel	Function	Value	Percent/Setting
1	Red 1	000 ⇄ 255	0–100%
2	Green 1	000 ⇄ 255	0–100%
3	Blue 1	000 ⇄ 255	0–100%
4	Amber 1	000 ⇄ 255	0–100%
5	Red 2	000 ⇄ 255	0–100%
6	Green 2	000 ⇄ 255	0–100%
7	Blue 2	000 ⇄ 255	0–100%
8	Amber 2	000 ⇄ 255	0–100%
9	Red 3	000 ⇄ 255	0–100%
10	Green 3	000 ⇄ 255	0–100%
11	Blue 3	000 ⇄ 255	0–100%
12	Amber 3	000 ⇄ 255	0–100%
13	Red 4	000 ⇄ 255	0–100%
14	Green 4	000 ⇄ 255	0–100%
15	Blue 4	000 ⇄ 255	0–100%
16	Amber 4	000 ⇄ 255	0–100%
17	Red 5	000 ⇄ 255	0–100%
18	Green 5	000 ⇄ 255	0–100%
19	Blue 5	000 ⇄ 255	0–100%
20	Amber 5	000 ⇄ 255	0–100%
21	Red 6	000 ⇄ 255	0–100%
22	Green 6	000 ⇄ 255	0–100%
23	Blue 6	000 ⇄ 255	0–100%
24	Amber 6	000 ⇄ 255	0–100%
25	Red 7	000 ⇄ 255	0–100%
26	Green 7	000 ⇄ 255	0–100%
27	Blue 7	000 ⇄ 255	0–100%
28	Amber 7	000 ⇄ 255	0–100%

7-Cell RGB 21CH

Channel	Function	Value	Percent/Setting
1	Red 1	000 ⇄ 255	0–100%
2	Green 1	000 ⇄ 255	0–100%
3	Blue 1	000 ⇄ 255	0–100%
4	Red 2	000 ⇄ 255	0–100%
5	Green 2	000 ⇄ 255	0–100%
6	Blue 2	000 ⇄ 255	0–100%
7	Red 3	000 ⇄ 255	0–100%
8	Green 3	000 ⇄ 255	0–100%
9	Blue 3	000 ⇄ 255	0–100%
10	Red 4	000 ⇄ 255	0–100%
11	Green 4	000 ⇄ 255	0–100%
12	Blue 4	000 ⇄ 255	0–100%
13	Red 5	000 ⇄ 255	0–100%
14	Green 5	000 ⇄ 255	0–100%
15	Blue 5	000 ⇄ 255	0–100%
16	Red 6	000 ⇄ 255	0–100%
17	Green 6	000 ⇄ 255	0–100%
18	Blue 6	000 ⇄ 255	0–100%
19	Red 7	000 ⇄ 255	0–100%
20	Green 7	000 ⇄ 255	0–100%
21	Blue 7	000 ⇄ 255	0–100%

7-Cell HSV 21CH

Channel	Function	Value	Percent/Setting
1	Hue 1	000 ⇄ 255	0–100%
2	Saturation 1	000 ⇄ 255	0–100%
3	Value 1	000 ⇄ 255	0–100%
4	Hue 2	000 ⇄ 255	0–100%
5	Saturation 2	000 ⇄ 255	0–100%
6	Value 2	000 ⇄ 255	0–100%
7	Hue 3	000 ⇄ 255	0–100%
8	Saturation 3	000 ⇄ 255	0–100%
9	Value 3	000 ⇄ 255	0–100%
10	Hue 4	000 ⇄ 255	0–100%
11	Saturation 4	000 ⇄ 255	0–100%
12	Value 4	000 ⇄ 255	0–100%
13	Hue 5	000 ⇄ 255	0–100%
14	Saturation 5	000 ⇄ 255	0–100%
15	Value 5	000 ⇄ 255	0–100%
16	Hue 6	000 ⇄ 255	0–100%
17	Saturation 6	000 ⇄ 255	0–100%
18	Value 6	000 ⇄ 255	0–100%
19	Hue 7	000 ⇄ 255	0–100%
20	Saturation 7	000 ⇄ 255	0–100%
21	Value 7	000 ⇄ 255	0–100%

1-Cell Personalities

1-Cell RGBAL FULL 17CH

Channel	Function	Value	Percent/Setting
1	Dimmer	000 ⇄ 255	0–100%
2	Dimmer fine	000 ⇄ 255	0–100%
3	Red	000 ⇄ 255	0–100%
4	Red fine	000 ⇄ 255	0–100%
5	Green	000 ⇄ 255	0–100%
6	Green fine	000 ⇄ 255	0–100%
7	Blue	000 ⇄ 255	0–100%
8	Blue fine	000 ⇄ 255	0–100%
9	Amber	000 ⇄ 255	0–100%
10	Amber fine	000 ⇄ 255	0–100%
11	Lime	000 ⇄ 255	0–100%
12	Lime fine	000 ⇄ 255	0–100%
13	Virtual Color Wheel	000 ⇄ 255	Refer to the Virtual Color Wheel Chart section for specific values
14	Color Temperature	000 ⇄ 255	Refer to the Color Temperature Chart section for specific values
15	Strobe	000 ⇄ 010 011 ⇄ 255	No function Strobe, slow to fast
16	Color macros	000 ⇄ 015 016 ⇄ 255	No function Color macros
17	Dimmer speed	000 ⇄ 051 052 ⇄ 101 102 ⇄ 152 153 ⇄ 203 204 ⇄ 255	Preset dimmer speed from display menu Dimmer speed mode off Dimmer speed mode 1 (fastest) Dimmer speed mode 2 Dimmer speed mode 3 (slowest)

1-Cell RGBAL Fine 10CH

Channel	Function	Value	Percent/Setting
1	Red	000 ⇔ 255	0–100%
2	Red fine	000 ⇔ 255	0–100%
3	Green	000 ⇔ 255	0–100%
4	Green fine	000 ⇔ 255	0–100%
5	Blue	000 ⇔ 255	0–100%
6	Blue fine	000 ⇔ 255	0–100%
7	Amber	000 ⇔ 255	0–100%
8	Amber fine	000 ⇔ 255	0–100%
9	Lime	000 ⇔ 255	0–100%
10	Lime fine	000 ⇔ 255	0–100%

1-Cell RGBAL EXT 10CH

Channel	Function	Value	Percent/Setting
1	Dimmer	000 ⇔ 255	0–100%
2	Dimmer fine	000 ⇔ 255	0–100%
3	Red	000 ⇔ 255	0–100%
4	Green	000 ⇔ 255	0–100%
5	Blue	000 ⇔ 255	0–100%
6	Amber	000 ⇔ 255	0–100%
7	Lime	000 ⇔ 255	0–100%
8	Virtual Color Wheel	000 ⇔ 255	Refer to the Virtual Color Wheel Chart section for specific values
9	Color Temperature	000 ⇔ 255	Refer to the Color Temperature Chart section for specific values
10	Strobe	000 ⇔ 010 011 ⇔ 255	No function Strobe, slow to fast

1-Cell RGBA EXT 9CH

Channel	Function	Value	Percent/Setting
1	Dimmer	000 ⇔ 255	0–100%
2	Dimmer fine	000 ⇔ 255	0–100%
3	Red	000 ⇔ 255	0–100%
4	Green	000 ⇔ 255	0–100%
5	Blue	000 ⇔ 255	0–100%
6	Amber	000 ⇔ 255	0–100%
7	Virtual Color Wheel	000 ⇔ 255	Refer to the Virtual Color Wheel Chart section for specific values
8	Color Temperature	000 ⇔ 255	Refer to the Color Temperature Chart section for specific values
9	Strobe	000 ⇔ 010 011 ⇔ 255	No function Strobe, slow to fast

1-Cell RGB EXT 8CH

Channel	Function	Value	Percent/Setting
1	Dimmer	000 ⇔ 255	0–100%
2	Dimmer fine	000 ⇔ 255	0–100%
3	Red	000 ⇔ 255	0–100%
4	Green	000 ⇔ 255	0–100%
5	Blue	000 ⇔ 255	0–100%
6	Virtual Color Wheel	000 ⇔ 255	Refer to the Virtual Color Wheel Chart section for specific values
7	Color Temperature	000 ⇔ 255	Refer to the Color Temperature Chart section for specific values
8	Strobe	000 ⇔ 010 011 ⇔ 255	No function Strobe, slow to fast

EN

1-Cell RGBAL 5CH

Channel	Function	Value	Percent/Setting
1	Red	000 ⇔ 255	0–100%
2	Green	000 ⇔ 255	0–100%
3	Blue	000 ⇔ 255	0–100%
4	Amber	000 ⇔ 255	0–100%
5	Lime	000 ⇔ 255	0–100%

1-Cell RGBA 4CH

Channel	Function	Value	Percent/Setting
1	Red	000 ⇔ 255	0–100%
2	Green	000 ⇔ 255	0–100%
3	Blue	000 ⇔ 255	0–100%
4	Amber	000 ⇔ 255	0–100%

1-Cell RGB 3CH

Channel	Function	Value	Percent/Setting
1	Red	000 ⇔ 255	0–100%
2	Green	000 ⇔ 255	0–100%
3	Blue	000 ⇔ 255	0–100%

1-Cell DMX-VCW-CCT 3CH

Channel	Function	Value	Percent/Setting
1	Dimmer	000 ⇔ 255	0–100%
2	Virtual Color Wheel	000 ⇔ 255	Refer to the Virtual Color Wheel Chart section for specific values
3	Color Temperature	000 ⇔ 255	Refer to the Color Temperature Chart section for specific values

1-Cell HSV 3CH

Channel	Function	Value	Percent/Setting
1	Hue	000 ⇔ 255	0–100%
2	Saturation	000 ⇔ 255	0–100%
3	Value	000 ⇔ 255	0–100%

Acerca de Esta Guía

La Guía de Referencia Rápida (GRR) del Ovation B-1965FC contiene información básica sobre el producto, como montaje, opciones de menú y valores DMX. Descargue el manual de usuario de www.chauvetprofessional.com para información más detallada.

Exención de Responsabilidad

La información y especificaciones contenidas en esta GRR están sujetas a cambio sin previo aviso.

GARANTÍA LIMITADA

PARA VER EL REGISTRO DE GARANTÍA Y LOS TÉRMINOS Y CONDICIONES COMPLETOS, VISITE NUESTRO SITIO WEB.

Para clientes en los Estados Unidos y México: www.chauvetlighting.com/warranty-registration

Para clientes en Reino Unido, República de Irlanda, Bélgica, Países Bajos, Luxemburgo, Francia y Alemania: www.chauvetlighting.eu/warranty-registration/

Chauvet garantiza que este producto estará libre de defectos de material y mano de obra en condiciones de uso normales, durante el periodo especificado, sujeto siempre a las exclusiones y limitaciones establecidas en la garantía limitada completa de nuestro sitio web. Esta garantía se concede únicamente al comprador original del producto y no es transferible. Para ejercer los derechos que otorga esta garantía, usted debe proporcionar una prueba de compra en forma de un recibo de compra original, expedido por un distribuidor autorizado, donde figure el nombre del producto y la fecha de compra. NO EXISTEN OTRAS GARANTÍAS EXPRESAS NI IMPLÍCITAS. Esta garantía le otorga derechos legales específicos. Es posible que a usted le asistan otros derechos, que variarán dependiendo del estado o del país. Esta garantía solamente es válida en los Estados Unidos, Reino Unido, República de Irlanda, Bélgica, Países Bajos, Luxemburgo, Francia, Alemania y México. Para conocer los términos de garantía en otros países, consulte a su distribuidor local.

Notas de Seguridad

Estas notas de seguridad incluyen información importante sobre el montaje, uso y mantenimiento.

- NO abra este producto. No contiene piezas reparables por el usuario.
- NO mire a la fuente de luz cuando el producto esté encendido.
- Para evitar un desgaste innecesario y alargar su vida útil, desconecte complemente el producto de la alimentación, mediante el interruptor o desenchufándolo, durante los periodos en los que no se use.
- Cuidado: cuando transfiera el producto desde ambientes con temperatura extrema (p. ej., del remolque frío de un camión a una sala de baile con calor y humedad), puede formarse condensación en la electrónica interna del producto. Para evitar que se produzca una avería, deje que el producto se aclimate completamente al ambiente antes de conectar la alimentación.
- ¡CUIDADO! La carcasa de este producto está caliente cuando las luces están en funcionamiento.
- Monte este producto en una ubicación con ventilación adecuada, al menos a 20" (50 cm) de superficies adyacentes.
- NO deje ningún material inflamable a menos de 50 cm de este producto mientras esté funcionando o conectado a la alimentación.
- USE un cable de seguridad cuando monte este producto en lo alto.
- NO ponga en funcionamiento este producto en el exterior o en cualquier ubicación en la que el polvo, calor excesivo, agua o humedad puedan afectarlo.
- NO ponga en funcionamiento este producto si sospecha que la carcasa, lentes o cables están dañados.
- NO conecte este producto a un atenuador o reostato.
- Conecte este producto SOLO a un circuito con toma de tierra y protegido.
- Use SOLAMENTE los soportes de colgar/montar o las asas para mover este producto.
- En caso de un problema grave de funcionamiento, deje de usarlo inmediatamente.
- La máxima temperatura ambiente es de 113 °F (45 °C). No haga funcionar este producto a temperaturas más altas.

Cumplimiento de la FCC

Este dispositivo cumple la parte 15, parte B de las normas FCC. El funcionamiento está supeditado al cumplimiento de estas dos condiciones:

1. Este dispositivo no puede causar interferencias perjudiciales; y
2. Este dispositivo debe aceptar cualquier interferencia recibida, incluyendo las interferencias que puedan causar un funcionamiento no deseado.

Cualquier cambio o modificación que no haya sido expresamente autorizado por la parte responsable de conformidad puede anular la potestad del usuario para hacer funcionar el equipo.

Contacto

Fuera de EE. UU., Reino Unido, Irlanda, Benelux, Francia, Alemania o México, póngase en contacto con su distribuidor para solicitar asistencia o devolver el producto. Visite [Contact Us](#) para información de contacto.

Qué va Incluido

- Ovation B-1965FC
- Cable de Alimentación Neutrik® powerCON®
- Colada de la pared de filtro
- Guía de Referencia Rápida

Corriente Alterna

Este producto tiene una fuente de alimentación con detección automática que puede funcionar con un rango de tensión de entrada de 100–240 VCA, 50/60 Hz.

Alimentación en Cadena

Puede enlazar hasta 3 productos Ovation B-1965FC a 120 V, 6 productos a 208 V o 7 productos a 230 V. Los cables de alimentación en cadena se pueden adquirir por separado.

Enchufe CA

Conexión	Cable (EE.UU)	Cable (Europa)	Color del Tornillo
CA Cargado	Negro	Marrón	Amarillo/Bronce
CA Neutro	Blanco	Azul	Plata
CA Tierra	Verde/Amarillo	Verde/Amarillo	Verde



Para evitar un desgaste innecesario y alargar su vida útil, desconecte complemente el producto de la alimentación, mediante el interruptor o desenchufándolo, durante los periodos en los que no se use.

Sustitución del Fusible

1. Desconecte el producto de la toma de corriente.
2. Con un destornillador de estrella N°2 desatornille la tapa del portafusibles.
3. Quite el fusible fundido del portafusibles y sustitúyalo con otro del mismo tipo y categoría.
4. Vuelva a atornillar la tapa del portafusibles en su sitio y conecte de nuevo la alimentación.

Conexiones de señal

Puede enlazar el Ovation B-1965FC a un controlador o software controlador usando una conexión DMX o una conexión Ethernet. Si está usando otros productos compatibles con Art-Net™ o sACN, el Ovation B-1965FC, puede controlar cada uno individualmente en una sola red. Consulte el Manual de usuario para obtener información sobre cómo conectar y configurar el producto para estas señales.

Personalidades de control

El Ovation B-1965FC utiliza DMX, Art-Net™ y sACN para sus 17 personalidades de control, que van de 3CH a 96CH en modos de 1 celda y modos de 7 celdas:

Modo	1 celda	7 celda
DMX-VCW-CCT	3	N/A
HSV	3	21
RGB	3	21
RGBA	4	28
RGBAL	5	35
RGB EXT	8	45
RGBA EXT	9	52
RGBAL EXT	10	59
RGBAL Fine	10	70
RGBAL FULL	17	96

Conexión DMX

El Ovation B-1965FC funcionará con un controlador DMX usando una conexión serie DMX normal. Hay un Manual DMX disponible en www.chauvetprofessional.com.

Conexión Art-Net™

Art-Net™ es un protocolo Ethernet que utiliza TCP/IP para transferir gran cantidad de datos DMX512 usando una conexión etherCON RJ45 sobre una red de gran tamaño. Hay disponible un documento sobre el protocolo Art-Net™ desde www.chauvetprofessional.com. Chauvet Professional recomienda la utilización de modo Unicast para mejores resultados.

Art-Net™ diseñado y copyright por Artistic Licence Holdings Ltd.

Conexión sACN

También conocido como ANSI E1.31, el streaming ACN es un protocolo Ethernet que usa las capas y formato de *Architecture for Control Networks* (arquitectura para redes de control) para transportar datos DMX512 sobre IP o cualquier otra red compatible con ACN. El mantenimiento de ACN corre a cargo de la Professional Lighting and Sound Association (Asociación de Sonido e Iluminación Profesional, PLASA).

Conexión Maestro/Esclavo

El Ovation B-1965FC usa la conexión de datos DMX para su modo Maestro/Esclavo. Vea el Manual de usuario para conectar y configurar para funcionamiento Maestro/Esclavo.

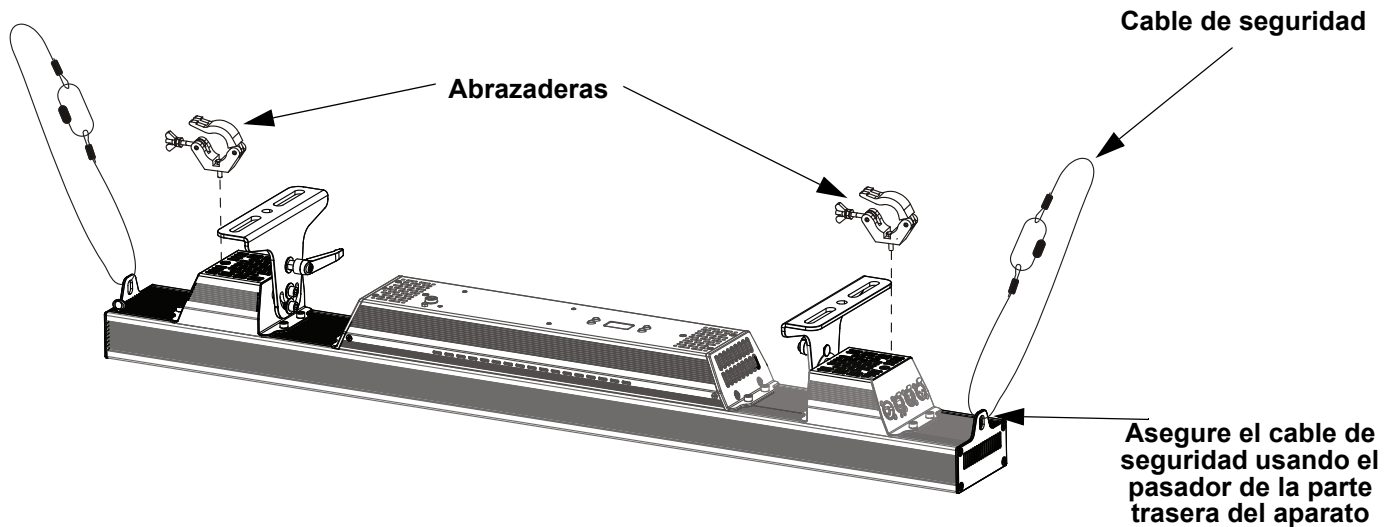
RDM (Gestión Remota del Dispositivo)

Remote Device Management (gestión remota del dispositivo) o RDM, es un estándar que permite a los dispositivos con capacidad DMX una comunicación bidireccional por un cableado DMX existente. El Ovation B-1965FC admite protocolo RDM, que posibilita información para supervisar la temperatura y cambiar las opciones del menú **DMX Address** y **DMX Channel**. Descargue el manual de usuario de www.chauvetprofessional.com para una información más detallada.

Montaje

Antes de montar este producto, lea las [Notas de Seguridad](#). Utilice al menos dos puntos de montaje por producto. Asegúrese de que las abrazaderas de montaje son capaces de soportar el peso del producto. Para nuestra línea Chauvet de abrazaderas de montaje, visite <http://trusst.com/products>.

Diagrama de Montaje del Producto



Servidor Web

Al Servidor Web Ovation B-1965FC tiene acceso cualquier ordenador que se encuentre en la misma red que el producto. Permite acceder por la red a la información del sistema, ajustes como protocolo de control y dirección de inicio, prueba de emisión de color, y es posible cambiar la contraseña del servidor web.

Para acceder al servidor web:

1. Configure la dirección IP de la red para que tenga el primer dígito que la dirección IP del producto.
2. Introduzca la dirección IP del producto en la barra de direcciones de una aplicación de navegador web.
3. Introduzca **admin** como nombre de usuario y como contraseña para iniciar sesión.

Rueda de Color Virtual (VCW)

El Ovation B-1965FC incluye una función de rueda de color virtual llamada Virtual Color Wheel (VCW). Esta función está disponible como modo de control independiente para uso manual y también como canal de control en algunas personalidades DMX del dispositivo. Más de 30 colores premezclados, elaborados por nuestros ingenieros, están disponibles para facilitar la programación.

Los valores DMX utilizados para mezclar estos colores se indican más abajo. Puede ajustar la intensidad general del dispositivo Ovation para reproducir más fielmente los colores a los que esté habituado. Hay un gráfico a su disposición en nuestro sitio web www.chauvetprofessional.com para comparar nuestros colores premezclados con los colores de gel más populares. Este gráfico sirve solamente para comparar y no implica que nuestros colores premezclados coincidan exactamente con los colores de gel listados.

Tabla de Colores VCW

Valor del Canal DMX	Lectura en Pantalla	Valor Rojo	Valor Verde	Valor Azul	Valor Ámbar	Valor Limón
000 ⇄ 005	--	000	000	000	000	000
006 ⇄ 013	C3050 - Md Yellow	150	125	002	255	043
014 ⇄ 021	C3040 - Lt Yellow	235	108	005	255	076
022 ⇄ 028	C3240 - Amb Yellow	171	036	000	120	255
029 ⇄ 035	C2340 - V Lt Amber	255	015	017	255	170
036 ⇄ 043	C2040 - Lt Amber	255	000	010	255	143
044 ⇄ 051	C2050 - Md Amber	255	000	003	255	075
052 ⇄ 059	C2060 - Dk Amber	188	000	002	255	044
060 ⇄ 067	C1050 - Lt Red	255	000	002	021	002
068 ⇄ 075	C1080 - Md Red	255	000	002	000	000
076 ⇄ 083	C1020 - NC Pink	255	130	025	255	027
084 ⇄ 091	C1030 - Md Pink	255	013	041	235	182
092 ⇄ 099	C1630 - Dk Pink	255	015	027	030	255
100 ⇄ 107	C1250 - Md Red Amber	255	000	004	115	009
108 ⇄ 115	C1060 - Dk Red Amber	255	000	004	011	008
116 ⇄ 121	C1650 - Magenta	255	000	022	081	039
122 ⇄ 130	C6170 - Dk Magenta	160	000	025	000	004
131 ⇄ 138	C6020 - Lt Lavender	255	162	043	255	140
139 ⇄ 146	C5030 - Lt Blue	012	255	070	076	115
147 ⇄ 154	C5020 - V Lt Blue	030	187	085	215	255
155 ⇄ 162	C5430 - Lt Blue 2	004	255	062	093	049
163 ⇄ 170	C5070 - Blue	005	255	190	003	012
171 ⇄ 178	C5050 - Md Blue	008	250	145	005	088
179 ⇄ 186	C5060 - Dk Blue	005	209	255	015	074
187 ⇄ 194	C5690 - Indigo	005	000	200	013	003
195 ⇄ 202	C5080 - V Dk Blue	007	112	255	005	007
203 ⇄ 210	C5081 - V Dk Blue 2	004	108	255	003	004
211 ⇄ 218	C4370 - Yel Green	004	255	000	005	003
219 ⇄ 226	C4070 - Green	027	255	006	000	020
227 ⇄ 234	C4550 - Turquoise	007	255	021	070	076
235 ⇄ 242	C4560 - Aqua	007	255	031	085	115
243 ⇄ 250	C4570 - Blue Green	002	255	017	002	020
251 ⇄ 255	--	000	000	000	000	000



Nota: Los colores listados son interpretaciones simuladas de la emisión de color generada en comparación con otros productos incandescentes similares. Chauvet no garantiza la exactitud del color emitido.

Gráfico de Temperaturas de Color

Valor del Canal DMX	Lectura en Pantalla	Valor Rojo	Valor Verde	Valor Azul	Valor Ámbar	Valor Limón
000 ⇄ 005	--	000	000	000	000	000
006 ⇄ 025	2800K	237	120	036	255	255
026 ⇄ 050	3000K	220	128	050	255	255
051 ⇄ 075	3200K	176	128	057	255	255
076 ⇄ 100	3500K	154	128	080	255	255
101 ⇄ 125	4000K	128	128	112	255	255
126 ⇄ 150	4500K	108	128	133	255	255
151 ⇄ 175	5000K	097	128	152	255	255
176 ⇄ 200	5600K	087	128	170	255	255
201 ⇄ 225	6000K	075	128	177	255	255
226 ⇄ 250	6500K	066	128	187	255	255
251 ⇄ 255	--	000	000	000	000	000



Nota: Las temperaturas de color que aparecen arriba son interpretaciones simuladas de la emisión de color producida cuando se compara con una lámpara de tungsteno a la temperatura de color especificada. Chauvet no garantiza la exactitud del color emitido.

Descripción del Panel de Control

Botón	Función
<MENU>	Salir del menú o función actual
<ENTER>	Habilita el menú actualmente en pantalla o configura el valor seleccionado actualmente dentro de la función seleccionada
<UP>	Navega hacia arriba por la lista de menú y aumenta el valor numérico cuando está en una función
<DOWN>	Navega hacia abajo por la lista de menú y disminuye el valor numérico cuando está en una función

Mapa de Menú

Nivel Principal	Niveles de Programación		Descripción
Protocol	DMX512		Establece el protocolo de control
	ArtNet		
	sACN		
Start Address	001-510*		Selecciona la dirección de inicio (*canal más alto restringido a la elección de personalidad)
Personality	1-Cell	DMX-VCW-CCT 3CH	3 canales: atenuador, rueda de color virtual, temperatura de color
		HSV	3 canales: control HSV
		RGB 3CH	3-canales: RGB
		RGBA 4CH	4-canales: RGBA
		RGBAL 5CH	5-canales: RGBAL
		RGB EXT 8CH	8 canales: 16 bits atenuador, RGB, rueda de color virtual, temperatura de color, estroboscopio
		RGBA EXT 9CH	9 canales: 16 bits atenuador, RGBA, rueda de color virtual, temperatura de color, estroboscopio
		RGBAL EXT 10CH	10 canales: 16 bits atenuador, RGBAL, rueda de color virtual, temperatura de color, estroboscopio
		RGBAL Fine 10CH	10 canales: 16 bits RGBAL
	RGBAL FULL 17CH	17 canales: 16 bits atenuador, 16 bits RGBAL, rueda de color virtual, temperatura de color, estroboscopio, macros de color, modo atenuador	
	7-Cell	RGB 21CH	21 canales: RGB (por celda)
		HSV 21CH	21 canales: control HSV (por celda)
		RGBA 28CH	28 canales: RGBA (por celda)
		RGBAL 35CH	35 canales: RGBAL (por celda)
		RGB EXT 45CH	45 canales: 16 bits atenuador, RGB (por celda), rueda de color virtual (por celda), temperatura de color (por celda), estroboscopio (por celda)
		RGBA EXT 52CH	52 canales: 16 bits atenuador, RGBA (por celda), rueda de color virtual (por celda), temperatura de color (por celda), estroboscopio (por celda)
		RGBAL EXT 59CH	59 canales: 16 bits atenuador, RGBAL (por celda), rueda de color virtual (por celda), temperatura de color (por celda), estroboscopio (por celda)
		RGBAL Fine 70CH	70 canales: 16 bits RGBAL (por celda)
		RGBAL FULL 96CH	96 canales: 16 bits atenuador, 16 bits RGBAL (por celda), rueda de color virtual (por celda), temperatura de color (por celda), estroboscopio (por celda), macros de color, modo atenuador

Nivel Principal	Niveles de Programación		Descripción
<p>Virtual Color Wheel</p>	<p>Virtual Color Wheel</p>	<p>Dimmer</p> <p><000–255></p>	<p>Rueda de Color Virtual (VCW) simula la emisión de cada gel de color de . Consulte la sección Tabla de Colores VCW para ver los valores específicos</p>
	<p>Color Temperature</p>	<p>2800K 3000K 3200K 3500K 4000K 4500K 5000K 5600K 6000K 6500K</p>	<p>Temperaturas de color blanco Emula una lámpara de tungsteno a la temperatura de color especificada. Consulte el apartado Gráfico de Temperaturas de Color para ver valores concretos</p>
	<p>Manual Color Mixer</p>	<p>Red Green Blue Amber Lime</p>	<p>Combina rojo, verde, azul, ámbar y lime para generar un color personalizado (0–100%)</p>
<p>Auto Show</p>	<p>Auto 1 Auto 2 Auto 3 Auto 4 Auto 5 Auto 6 Auto 7 Auto 8 Auto 9 Fade</p>	<p>Speed 1–100</p>	<p>Selecciona programas automáticos y velocidad de programas automáticos</p>

Nivel Principal	Niveles de Programación		Descripción	
Master/Slave	Master		Modo maestro	
	Slave		Modo esclavo	
Dimmer Mode	Off		Atenuador lineal	
	Dimmer 1		Curva de atenuador rápida	
	Dimmer 2		Curva de atenuador media	
	Dimmer 3		Curva de atenuador lenta	
White Balance	Off		Utiliza la configuración de blanco predeterminada de fábrica	
	Manual	Red	125–255	Establece el valor máximo de LED rojo
		Green		Establece el valor máximo de LED verde
		Blue		Establece el valor máximo de LED azul
		Amber		Establece el valor máximo de LED ámbar
	Lime		Establece el valor máximo de LED lime	
LED Frequency	600Hz		Selecciona la frecuencia de emisión PWM	
	1200Hz			
	2000Hz			
	4000Hz			
	6000Hz			
	25KHz			
Fan Mode	Auto		Establece el ventilador a modo auto	
	On		Establece el ventilador a modo siempre encendido	
	Off		Establece el ventilador a modo siempre apagado	
	Silent		Establece el ventilador a silencio	
Display	Normal		Pantalla con orientación normal	
	Inverted		Pantalla invertida	
Back Light	10S		Retro-iluminación de la pantalla se apaga después de 10 segundos de inactividad	
	30S		Retro-iluminación de la pantalla se apaga después de 30 segundos de inactividad	
	2Min		Retro-iluminación de la pantalla se apaga después de 2 minutos de inactividad	
	On		Retro-iluminación de la pantalla siempre activa	
Ethernet Setting	Universe	1 (DMX)	Configura el universo para Art-Net™ o sACN	
		0–255 (Art-Net™)		
		1–256 (sACN)		
IP Address	-----	Configura la dirección IP		
Information	Fixture Hours	----	Muestra el nombre total de las horas del producto	
	Version	V_._-V_._	Muestra instalada la versión de software	
	Device ID	-----	Muestra el ID del dispositivo	
	UID:	-----	Muestra actual UID #	
Factory Setting	No		Reinicia a la configuración de fábrica	
	Yes			

Valores DMX

Personalidad de 7 celdas

7 celdas RGBAL FULL 96CH

Canal	Función	Valor	Porcentaje/Configuración
1	Atenuador	000 ⇄ 255	0–100%
2	Atenuador fino	000 ⇄ 255	0–100%
3	Rojo 1	000 ⇄ 255	0–100%
4	Rojo fino 1	000 ⇄ 255	0–100%
5	Verde 1	000 ⇄ 255	0–100%
6	Verde fino 1	000 ⇄ 255	0–100%
7	Azul 1	000 ⇄ 255	0–100%
8	Azul fino 1	000 ⇄ 255	0–100%
9	Ámbar 1	000 ⇄ 255	0–100%
10	Ámbar fino 1	000 ⇄ 255	0–100%
11	Limón 1	000 ⇄ 255	0–100%
12	Limón fino 1	000 ⇄ 255	0–100%
13	Rueda de Color Virtual 1	000 ⇄ 255	Consulte la sección Tabla de Colores VCW para ver los valores específicos
14	Temperaturas de Color 1	000 ⇄ 255	Consulte el apartado Gráfico de Temperaturas de Color para ver valores concretos
15	Estroboscopio 1	000 ⇄ 010 011 ⇄ 255	Sin función Estroboscopio, lento a rápido
16	Rojo 2	000 ⇄ 255	0–100%
17	Rojo fino 2	000 ⇄ 255	0–100%
18	Verde 2	000 ⇄ 255	0–100%
19	Verde fino 2	000 ⇄ 255	0–100%
20	Azul 2	000 ⇄ 255	0–100%
21	Azul fino 2	000 ⇄ 255	0–100%
22	Ámbar 2	000 ⇄ 255	0–100%
23	Ámbar fino 2	000 ⇄ 255	0–100%
24	Limón 2	000 ⇄ 255	0–100%
25	Limón fino 2	000 ⇄ 255	0–100%
26	Rueda de Color Virtual 2	000 ⇄ 255	Consulte la sección Tabla de Colores VCW para ver los valores específicos
27	Temperaturas de Color 2	000 ⇄ 255	Consulte el apartado Gráfico de Temperaturas de Color para ver valores concretos
28	Estroboscopio 2	000 ⇄ 010 011 ⇄ 255	Sin función Estroboscopio, lento a rápido
29	Rojo 3	000 ⇄ 255	0–100%
30	Rojo fino 3	000 ⇄ 255	0–100%
31	Verde 3	000 ⇄ 255	0–100%
32	Verde fino 3	000 ⇄ 255	0–100%
33	Azul 3	000 ⇄ 255	0–100%
34	Azul fino 3	000 ⇄ 255	0–100%
35	Ámbar 3	000 ⇄ 255	0–100%
36	Ámbar fino 3	000 ⇄ 255	0–100%
37	Limón 3	000 ⇄ 255	0–100%
38	Limón fino 3	000 ⇄ 255	0–100%
39	Rueda de Color Virtual 3	000 ⇄ 255	Consulte la sección Tabla de Colores VCW para ver los valores específicos
40	Temperaturas de Color 3	000 ⇄ 255	Consulte el apartado Gráfico de Temperaturas de Color para ver valores concretos
41	Estroboscopio 3	000 ⇄ 010 011 ⇄ 255	Sin función Estroboscopio, lento a rápido
42	Rojo 4	000 ⇄ 255	0–100%
43	Rojo fino 4	000 ⇄ 255	0–100%
44	Verde 4	000 ⇄ 255	0–100%

Canal	Función	Valor	Porcentaje/Configuración
45	Verde fino 4	000 ⇔ 255	0–100%
46	Azul 4	000 ⇔ 255	0–100%
47	Azul fino 4	000 ⇔ 255	0–100%
48	Ámbar 4	000 ⇔ 255	0–100%
49	Ámbar fino 4	000 ⇔ 255	0–100%
50	Limón 4	000 ⇔ 255	0–100%
51	Limón fino 4	000 ⇔ 255	0–100%
52	Rueda de Color Virtual 4	000 ⇔ 255	Consulte la sección Tabla de Colores VCW para ver los valores específicos
53	Temperaturas de Color 4	000 ⇔ 255	Consulte el apartado Gráfico de Temperaturas de Color para ver valores concretos
54	Estroboscopio 4	000 ⇔ 010 011 ⇔ 255	Sin función Estroboscopio, lento a rápido
55	Rojo 5	000 ⇔ 255	0–100%
56	Rojo fino 5	000 ⇔ 255	0–100%
57	Verde 5	000 ⇔ 255	0–100%
58	Verde fino 5	000 ⇔ 255	0–100%
59	Azul 5	000 ⇔ 255	0–100%
60	Azul fino 5	000 ⇔ 255	0–100%
61	Ámbar 5	000 ⇔ 255	0–100%
62	Ámbar fino 5	000 ⇔ 255	0–100%
63	Limón 5	000 ⇔ 255	0–100%
64	Limón fino 5	000 ⇔ 255	0–100%
65	Rueda de Color Virtual 5	000 ⇔ 255	Consulte la sección Tabla de Colores VCW para ver los valores específicos
66	Temperaturas de Color 5	000 ⇔ 255	Consulte el apartado Gráfico de Temperaturas de Color para ver valores concretos
67	Estroboscopio 5	000 ⇔ 010 011 ⇔ 255	Sin función Estroboscopio, lento a rápido
68	Rojo 6	000 ⇔ 255	0–100%
69	Rojo fino 6	000 ⇔ 255	0–100%
70	Verde 6	000 ⇔ 255	0–100%
71	Verde fino 6	000 ⇔ 255	0–100%
72	Azul 6	000 ⇔ 255	0–100%
73	Azul fino 6	000 ⇔ 255	0–100%
74	Ámbar 6	000 ⇔ 255	0–100%
75	Ámbar fino 6	000 ⇔ 255	0–100%
76	Limón 6	000 ⇔ 255	0–100%
77	Limón fino 6	000 ⇔ 255	0–100%
78	Rueda de Color Virtual 6	000 ⇔ 255	Consulte la sección Tabla de Colores VCW para ver los valores específicos
79	Temperaturas de Color 6	000 ⇔ 255	Consulte el apartado Gráfico de Temperaturas de Color para ver valores concretos
80	Estroboscopio 6	000 ⇔ 010 011 ⇔ 255	Sin función Estroboscopio, lento a rápido
81	Rojo 7	000 ⇔ 255	0–100%
82	Rojo fino 7	000 ⇔ 255	0–100%
83	Verde 7	000 ⇔ 255	0–100%
84	Verde fino 7	000 ⇔ 255	0–100%
85	Azul 7	000 ⇔ 255	0–100%
86	Azul fino 7	000 ⇔ 255	0–100%
87	Ámbar 7	000 ⇔ 255	0–100%
88	Ámbar fino 7	000 ⇔ 255	0–100%
89	Limón 7	000 ⇔ 255	0–100%
90	Limón fino 7	000 ⇔ 255	0–100%
91	Rueda de Color Virtual 7	000 ⇔ 255	Consulte la sección Tabla de Colores VCW para ver los valores específicos

Canal	Función	Valor	Porcentaje/Configuración
92	Temperaturas de Color 7	000 ⇄ 255	Consulte el apartado Gráfico de Temperaturas de Color para ver valores concretos
93	Estroboscopio 7	000 ⇄ 010 011 ⇄ 255	Sin función Estroboscopio, lento a rápido
94	Estroboscopio todo	000 ⇄ 010 011 ⇄ 255	Sin función Estroboscopio, lento a rápido
95	Macros de color	000 ⇄ 015 016 ⇄ 255	Sin función Macros de color
96	Velocidad atenuador	000 ⇄ 051 052 ⇄ 101 102 ⇄ 152 153 ⇄ 203 204 ⇄ 255	Pre configura la velocidad del atenuador desde la pantalla de menú Atenuador lineal Curva de atenuación no-lineal 1 (la más rápida) Curva de atenuación no-lineal 2 Curva de atenuación no-lineal 3

7 celdas RGBAL Fine 70CH

Canal	Función	Valor	Porcentaje/Configuración
1	Rojo 1	000 ⇄ 255	0-100%
2	Rojo fino 1	000 ⇄ 255	0-100%
3	Verde 1	000 ⇄ 255	0-100%
4	Verde fino 1	000 ⇄ 255	0-100%
5	Azul 1	000 ⇄ 255	0-100%
6	Azul fino 1	000 ⇄ 255	0-100%
7	Ámbar 1	000 ⇄ 255	0-100%
8	Ámbar fino 1	000 ⇄ 255	0-100%
9	Limón 1	000 ⇄ 255	0-100%
10	Limón fino 1	000 ⇄ 255	0-100%
11	Rojo 2	000 ⇄ 255	0-100%
12	Rojo fino 2	000 ⇄ 255	0-100%
13	Verde 2	000 ⇄ 255	0-100%
14	Verde fino 2	000 ⇄ 255	0-100%
15	Azul 2	000 ⇄ 255	0-100%
16	Azul fino 2	000 ⇄ 255	0-100%
17	Ámbar 2	000 ⇄ 255	0-100%
18	Ámbar fino 2	000 ⇄ 255	0-100%
19	Limón 2	000 ⇄ 255	0-100%
20	Limón fino 2	000 ⇄ 255	0-100%
21	Rojo 3	000 ⇄ 255	0-100%
22	Rojo fino 3	000 ⇄ 255	0-100%
23	Verde 3	000 ⇄ 255	0-100%
24	Verde fino 3	000 ⇄ 255	0-100%
25	Azul 3	000 ⇄ 255	0-100%
26	Azul fino 3	000 ⇄ 255	0-100%
27	Ámbar 3	000 ⇄ 255	0-100%
28	Ámbar fino 3	000 ⇄ 255	0-100%
29	Limón 3	000 ⇄ 255	0-100%
30	Limón fino 3	000 ⇄ 255	0-100%
31	Rojo 4	000 ⇄ 255	0-100%
32	Rojo fino 4	000 ⇄ 255	0-100%
33	Verde 4	000 ⇄ 255	0-100%
34	Verde fino 4	000 ⇄ 255	0-100%
35	Azul 4	000 ⇄ 255	0-100%
36	Azul fino 4	000 ⇄ 255	0-100%
37	Ámbar 4	000 ⇄ 255	0-100%
38	Ámbar fino 4	000 ⇄ 255	0-100%

Canal	Función	Valor	Porcentaje/Configuración
39	Limón 4	000 ⇔ 255	0-100%
40	Limón fino 4	000 ⇔ 255	0-100%
41	Rojo 5	000 ⇔ 255	0-100%
42	Rojo fino 5	000 ⇔ 255	0-100%
43	Verde	000 ⇔ 255	0-100%
44	Verde fino 5	000 ⇔ 255	0-100%
45	Azul 5	000 ⇔ 255	0-100%
46	Azul fino 5	000 ⇔ 255	0-100%
47	Ámbar 5	000 ⇔ 255	0-100%
48	Ámbar fino 5	000 ⇔ 255	0-100%
49	Limón 5	000 ⇔ 255	0-100%
50	Limón fino 5	000 ⇔ 255	0-100%
51	Rojo 6	000 ⇔ 255	0-100%
52	Rojo fino 6	000 ⇔ 255	0-100%
53	Verde 6	000 ⇔ 255	0-100%
54	Verde fino 6	000 ⇔ 255	0-100%
55	Azul 6	000 ⇔ 255	0-100%
56	Azul fino 6	000 ⇔ 255	0-100%
57	Ámbar 6	000 ⇔ 255	0-100%
58	Ámbar fino 6	000 ⇔ 255	0-100%
59	Limón 6	000 ⇔ 255	0-100%
60	Limón fino 6	000 ⇔ 255	0-100%
61	Rojo 7	000 ⇔ 255	0-100%
62	Rojo fino 7	000 ⇔ 255	0-100%
63	Verde 7	000 ⇔ 255	0-100%
64	Verde fino 7	000 ⇔ 255	0-100%
65	Azul 7	000 ⇔ 255	0-100%
66	Azul fino 7	000 ⇔ 255	0-100%
67	Ámbar 7	000 ⇔ 255	0-100%
68	Ámbar fino 7	000 ⇔ 255	0-100%
69	Limón 7	000 ⇔ 255	0-100%
70	Limón fino 7	000 ⇔ 255	0-100%

7 celdas RGBAL EXT 59CH

Canal	Función	Valor	Porcentaje/Configuración
1	Atenuador	000 ⇔ 255	0-100%
2	Atenuador fino	000 ⇔ 255	0-100%
3	Rojo 1	000 ⇔ 255	0-100%
4	Verde 1	000 ⇔ 255	0-100%
5	Azul 1	000 ⇔ 255	0-100%
6	Ámbar 1	000 ⇔ 255	0-100%
7	Limón 1	000 ⇔ 255	0-100%
8	Rueda de Color Virtual 1	000 ⇔ 255	Consulte la sección Tabla de Colores VCW para ver los valores específicos
9	Temperaturas de Color 1	000 ⇔ 255	Consulte el apartado Gráfico de Temperaturas de Color para ver valores concretos
10	Estroboscopio 1	000 ⇔ 010 011 ⇔ 255	Sin función Estroboscopio, lento a rápido
11	Rojo 2	000 ⇔ 255	0-100%
12	Verde 2	000 ⇔ 255	0-100%
13	Azul 2	000 ⇔ 255	0-100%
14	Ámbar 2	000 ⇔ 255	0-100%
15	Limón 2	000 ⇔ 255	0-100%
16	Rueda de Color Virtual 2	000 ⇔ 255	Consulte la sección Tabla de Colores VCW para ver los valores específicos

Canal	Función	Valor	Porcentaje/Configuración
17	Temperaturas de Color 2	000 ⇔ 255	Consulte el apartado Gráfico de Temperaturas de Color para ver valores concretos
18	Estroboscopio 2	000 ⇔ 010 011 ⇔ 255	Sin función Estroboscopio, lento a rápido
19	Rojo 3	000 ⇔ 255	0–100%
20	Verde 3	000 ⇔ 255	0–100%
21	Azul 3	000 ⇔ 255	0–100%
22	Ámbar 3	000 ⇔ 255	0–100%
23	Limón 3	000 ⇔ 255	0–100%
24	Rueda de Color Virtual 3	000 ⇔ 255	Consulte la sección Tabla de Colores VCW para ver los valores específicos
25	Temperaturas de Color 3	000 ⇔ 255	Consulte el apartado Gráfico de Temperaturas de Color para ver valores concretos
26	Estroboscopio 3	000 ⇔ 010 011 ⇔ 255	Sin función Estroboscopio, lento a rápido
27	Rojo 4	000 ⇔ 255	0–100%
28	Verde 4	000 ⇔ 255	0–100%
29	Azul 4	000 ⇔ 255	0–100%
30	Ámbar 4	000 ⇔ 255	0–100%
31	Limón 4	000 ⇔ 255	0–100%
32	Rueda de Color Virtual 4	000 ⇔ 255	Consulte la sección Tabla de Colores VCW para ver los valores específicos
33	Temperaturas de Color 4	000 ⇔ 255	Consulte el apartado Gráfico de Temperaturas de Color para ver valores concretos
34	Estroboscopio 4	000 ⇔ 010 011 ⇔ 255	Sin función Estroboscopio, lento a rápido
35	Rojo 5	000 ⇔ 255	0–100%
36	Verde 5	000 ⇔ 255	0–100%
37	Azul 5	000 ⇔ 255	0–100%
38	Ámbar 5	000 ⇔ 255	0–100%
39	Limón 5	000 ⇔ 255	0–100%
40	Rueda de Color Virtual 5	000 ⇔ 255	Consulte la sección Tabla de Colores VCW para ver los valores específicos
41	Temperaturas de Color 5	000 ⇔ 255	Consulte el apartado Gráfico de Temperaturas de Color para ver valores concretos
42	Estroboscopio 5	000 ⇔ 010 011 ⇔ 255	Sin función Estroboscopio, lento a rápido
43	Rojo 6	000 ⇔ 255	0–100%
44	Verde 6	000 ⇔ 255	0–100%
45	Azul 6	000 ⇔ 255	0–100%
46	Ámbar 6	000 ⇔ 255	0–100%
47	Limón 6	000 ⇔ 255	0–100%
48	Rueda de Color Virtual 6	000 ⇔ 255	Consulte la sección Tabla de Colores VCW para ver los valores específicos
49	Temperaturas de Color 6	000 ⇔ 255	Consulte el apartado Gráfico de Temperaturas de Color para ver valores concretos
50	Estroboscopio 6	000 ⇔ 010 011 ⇔ 255	Sin función Estroboscopio, lento a rápido
51	Rojo 7	000 ⇔ 255	0–100%
52	Verde 7	000 ⇔ 255	0–100%
53	Azul 7	000 ⇔ 255	0–100%
54	Ámbar 7	000 ⇔ 255	0–100%
55	Limón 7	000 ⇔ 255	0–100%
56	Rueda de Color Virtual 7	000 ⇔ 255	Consulte la sección Tabla de Colores VCW para ver los valores específicos
57	Temperaturas de Color 7	000 ⇔ 255	Consulte el apartado Gráfico de Temperaturas de Color para ver valores concretos

Canal	Función	Valor	Porcentaje/Configuración
58	Estroboscopio 7	000 ⇔ 010	Sin función
		011 ⇔ 255	Estroboscopio, lento a rápido
59	Estroboscopio todo	000 ⇔ 010	Sin función
		011 ⇔ 255	Estroboscopio, lento a rápido

7 celdas RGBA EXT 52CH

Canal	Función	Valor	Porcentaje/Configuración
1	Atenuador	000 ⇔ 255	0–100%
2	Atenuador fino	000 ⇔ 255	0–100%
3	Rojo 1	000 ⇔ 255	0–100%
4	Verde 1	000 ⇔ 255	0–100%
5	Azul 1	000 ⇔ 255	0–100%
6	Ámbar 1	000 ⇔ 255	0–100%
7	Rueda de Color Virtual 1	000 ⇔ 255	Consulte la sección Tabla de Colores VCW para ver los valores específicos
8	Temperaturas de Color 1	000 ⇔ 255	Consulte el apartado Gráfico de Temperaturas de Color para ver valores concretos
9	Estroboscopio 1	000 ⇔ 010	Sin función
		011 ⇔ 255	Estroboscopio, lento a rápido
10	Rojo 2	000 ⇔ 255	0–100%
11	Verde 2	000 ⇔ 255	0–100%
12	Azul 2	000 ⇔ 255	0–100%
13	Ámbar 2	000 ⇔ 255	0–100%
14	Rueda de Color Virtual 2	000 ⇔ 255	Consulte la sección Tabla de Colores VCW para ver los valores específicos
15	Temperaturas de Color 2	000 ⇔ 255	Consulte el apartado Gráfico de Temperaturas de Color para ver valores concretos
16	Estroboscopio 2	000 ⇔ 010	Sin función
		011 ⇔ 255	Estroboscopio, lento a rápido
17	Rojo 3	000 ⇔ 255	0–100%
18	Verde 3	000 ⇔ 255	0–100%
19	Azul 3	000 ⇔ 255	0–100%
20	Ámbar 3	000 ⇔ 255	0–100%
21	Rueda de Color Virtual 3	000 ⇔ 255	Consulte la sección Tabla de Colores VCW para ver los valores específicos
22	Temperaturas de Color 3	000 ⇔ 255	Consulte el apartado Gráfico de Temperaturas de Color para ver valores concretos
23	Estroboscopio 3	000 ⇔ 010	Sin función
		011 ⇔ 255	Estroboscopio, lento a rápido
24	Rojo 4	000 ⇔ 255	0–100%
25	Verde 4	000 ⇔ 255	0–100%
26	Azul 4	000 ⇔ 255	0–100%
27	Ámbar 4	000 ⇔ 255	0–100%
28	Rueda de Color Virtual 4	000 ⇔ 255	Consulte la sección Tabla de Colores VCW para ver los valores específicos
29	Temperaturas de Color 4	000 ⇔ 255	Consulte el apartado Gráfico de Temperaturas de Color para ver valores concretos
30	Estroboscopio 4	000 ⇔ 010	Sin función
		011 ⇔ 255	Estroboscopio, lento a rápido
31	Rojo 5	000 ⇔ 255	0–100%
32	Verde 5	000 ⇔ 255	0–100%
33	Azul 5	000 ⇔ 255	0–100%
34	Ámbar 5	000 ⇔ 255	0–100%
35	Rueda de Color Virtual 5	000 ⇔ 255	Consulte la sección Tabla de Colores VCW para ver los valores específicos
36	Temperaturas de Color 5	000 ⇔ 255	Consulte el apartado Gráfico de Temperaturas de Color para ver valores concretos

Canal	Función	Valor	Porcentaje/Configuración
37	Estroboscopio 5	000 ⇔ 010 011 ⇔ 255	Sin función Estroboscopio, lento a rápido
38	Rojo 6	000 ⇔ 255	0–100%
39	Verde 6	000 ⇔ 255	0–100%
40	Azul 6	000 ⇔ 255	0–100%
41	Ámbar 6	000 ⇔ 255	0–100%
42	Rueda de Color Virtual 6	000 ⇔ 255	Consulte la sección Tabla de Colores VCW para ver los valores específicos
43	Temperaturas de Color 6	000 ⇔ 255	Consulte el apartado Gráfico de Temperaturas de Color para ver valores concretos
44	Estroboscopio 6	000 ⇔ 010 011 ⇔ 255	Sin función Estroboscopio, lento a rápido
45	Rojo 7	000 ⇔ 255	0–100%
46	Verde 7	000 ⇔ 255	0–100%
47	Azul 7	000 ⇔ 255	0–100%
48	Ámbar 7	000 ⇔ 255	0–100%
49	Rueda de Color Virtual 7	000 ⇔ 255	Consulte la sección Tabla de Colores VCW para ver los valores específicos
50	Temperaturas de Color 7	000 ⇔ 255	Consulte el apartado Gráfico de Temperaturas de Color para ver valores concretos
51	Estroboscopio 7	000 ⇔ 010 011 ⇔ 255	Sin función Estroboscopio, lento a rápido
52	Estroboscopio todo	000 ⇔ 010 011 ⇔ 255	Sin función Estroboscopio, lento a rápido

7 celdas RGB EXT 45CH

Canal	Función	Valor	Porcentaje/Configuración
1	Atenuador	000 ⇔ 255	0–100%
2	Atenuador fino	000 ⇔ 255	0–100%
3	Rojo 1	000 ⇔ 255	0–100%
4	Verde 1	000 ⇔ 255	0–100%
5	Azul 1	000 ⇔ 255	0–100%
6	Rueda de Color Virtual 1	000 ⇔ 255	Consulte la sección Tabla de Colores VCW para ver los valores específicos
7	Temperaturas de Color 1	000 ⇔ 255	Consulte el apartado Gráfico de Temperaturas de Color para ver valores concretos
8	Estroboscopio 1	000 ⇔ 010 011 ⇔ 255	Sin función Estroboscopio, lento a rápido
9	Rojo 2	000 ⇔ 255	0–100%
10	Verde 2	000 ⇔ 255	0–100%
11	Azul 2	000 ⇔ 255	0–100%
12	Rueda de Color Virtual 2	000 ⇔ 255	Consulte la sección Tabla de Colores VCW para ver los valores específicos
13	Temperaturas de Color 2	000 ⇔ 255	Consulte el apartado Gráfico de Temperaturas de Color para ver valores concretos
14	Estroboscopio 2	000 ⇔ 010 011 ⇔ 255	Sin función Estroboscopio, lento a rápido
15	Rojo 3	000 ⇔ 255	0–100%
16	Verde 3	000 ⇔ 255	0–100%
17	Azul 3	000 ⇔ 255	0–100%
18	Rueda de Color Virtual 3	000 ⇔ 255	Consulte la sección Tabla de Colores VCW para ver los valores específicos
19	Temperaturas de Color 3	000 ⇔ 255	Consulte el apartado Gráfico de Temperaturas de Color para ver valores concretos
20	Estroboscopio 3	000 ⇔ 010 011 ⇔ 255	Sin función Estroboscopio, lento a rápido
21	Rojo 4	000 ⇔ 255	0–100%

Canal	Función	Valor	Porcentaje/Configuración
22	Verde 4	000 ⇔ 255	0–100%
23	Azul 4	000 ⇔ 255	0–100%
24	Rueda de Color Virtual 4	000 ⇔ 255	Consulte la sección Tabla de Colores VCW para ver los valores específicos
25	Temperaturas de Color 4	000 ⇔ 255	Consulte el apartado Gráfico de Temperaturas de Color para ver valores concretos
26	Estroboscopio 4	000 ⇔ 010 011 ⇔ 255	Sin función Estroboscopio, lento a rápido
27	Rojo 5	000 ⇔ 255	0–100%
28	Verde 5	000 ⇔ 255	0–100%
29	Azul 5	000 ⇔ 255	0–100%
30	Rueda de Color Virtual 5	000 ⇔ 255	Consulte la sección Tabla de Colores VCW para ver los valores específicos
31	Temperaturas de Color 5	000 ⇔ 255	Consulte el apartado Gráfico de Temperaturas de Color para ver valores concretos
32	Estroboscopio 5	000 ⇔ 010 011 ⇔ 255	Sin función Estroboscopio, lento a rápido
33	Rojo 6	000 ⇔ 255	0–100%
34	Verde 6	000 ⇔ 255	0–100%
35	Azul 6	000 ⇔ 255	0–100%
36	Rueda de Color Virtual 6	000 ⇔ 255	Consulte la sección Tabla de Colores VCW para ver los valores específicos
37	Temperaturas de Color 6	000 ⇔ 255	Consulte el apartado Gráfico de Temperaturas de Color para ver valores concretos
38	Estroboscopio 6	000 ⇔ 010 011 ⇔ 255	Sin función Estroboscopio, lento a rápido
39	Rojo 7	000 ⇔ 255	0–100%
40	Verde 7	000 ⇔ 255	0–100%
41	Azul 7	000 ⇔ 255	0–100%
42	Rueda de Color Virtual 7	000 ⇔ 255	Consulte la sección Tabla de Colores VCW para ver los valores específicos
43	Temperaturas de Color 7	000 ⇔ 255	Consulte el apartado Gráfico de Temperaturas de Color para ver valores concretos
44	Estroboscopio 7	000 ⇔ 010 011 ⇔ 255	Sin función Estroboscopio, lento a rápido
45	Estroboscopio todo	000 ⇔ 010 011 ⇔ 255	Sin función Estroboscopio, lento a rápido

7 celdas RGBAL 35CH

Canal	Función	Valor	Porcentaje/Configuración
1	Rojo 1	000 ⇔ 255	0–100%
2	Verde 1	000 ⇔ 255	0–100%
3	Azul 1	000 ⇔ 255	0–100%
4	Ámbar 1	000 ⇔ 255	0–100%
5	Limón 1	000 ⇔ 255	0–100%
6	Rojo 2	000 ⇔ 255	0–100%
7	Verde 2	000 ⇔ 255	0–100%
8	Azul 2	000 ⇔ 255	0–100%
9	Ámbar 2	000 ⇔ 255	0–100%
10	Limón 2	000 ⇔ 255	0–100%
11	Rojo 3	000 ⇔ 255	0–100%
12	Verde 3	000 ⇔ 255	0–100%
13	Azul 3	000 ⇔ 255	0–100%
14	Ámbar 3	000 ⇔ 255	0–100%
15	Limón 3	000 ⇔ 255	0–100%
16	Rojo 4	000 ⇔ 255	0–100%

Canal	Función	Valor	Porcentaje/Configuración
17	Verde 4	000 ⇔ 255	0-100%
18	Azul 4	000 ⇔ 255	0-100%
19	Ámbar 4	000 ⇔ 255	0-100%
20	Limón 4	000 ⇔ 255	0-100%
21	Rojo 5	000 ⇔ 255	0-100%
22	Verde 5	000 ⇔ 255	0-100%
23	Azul 5	000 ⇔ 255	0-100%
24	Ámbar 5	000 ⇔ 255	0-100%
25	Limón 5	000 ⇔ 255	0-100%
26	Rojo 6	000 ⇔ 255	0-100%
27	Verde 6	000 ⇔ 255	0-100%
28	Azul 6	000 ⇔ 255	0-100%
29	Ámbar 6	000 ⇔ 255	0-100%
30	Limón 6	000 ⇔ 255	0-100%
31	Rojo 7	000 ⇔ 255	0-100%
32	Verde 7	000 ⇔ 255	0-100%
33	Azul 7	000 ⇔ 255	0-100%
34	Ámbar 7	000 ⇔ 255	0-100%
35	Limón 7	000 ⇔ 255	0-100%

7 celdas RGBA 28CH

Canal	Función	Valor	Porcentaje/Configuración
1	Rojo 1	000 ⇔ 255	0-100%
2	Verde 1	000 ⇔ 255	0-100%
3	Azul 1	000 ⇔ 255	0-100%
4	Ámbar 1	000 ⇔ 255	0-100%
5	Rojo 2	000 ⇔ 255	0-100%
6	Verde 2	000 ⇔ 255	0-100%
7	Azul 2	000 ⇔ 255	0-100%
8	Ámbar 2	000 ⇔ 255	0-100%
9	Rojo	000 ⇔ 255	0-100%
10	Verde	000 ⇔ 255	0-100%
11	Azul	000 ⇔ 255	0-100%
12	Ámbar	000 ⇔ 255	0-100%
13	Rojo	000 ⇔ 255	0-100%
14	Verde	000 ⇔ 255	0-100%
15	Azul	000 ⇔ 255	0-100%
16	Ámbar	000 ⇔ 255	0-100%
17	Rojo	000 ⇔ 255	0-100%
18	Verde	000 ⇔ 255	0-100%
19	Azul	000 ⇔ 255	0-100%
20	Ámbar	000 ⇔ 255	0-100%
21	Rojo	000 ⇔ 255	0-100%
22	Verde	000 ⇔ 255	0-100%
23	Azul	000 ⇔ 255	0-100%
24	Ámbar	000 ⇔ 255	0-100%
25	Rojo	000 ⇔ 255	0-100%
26	Verde	000 ⇔ 255	0-100%
27	Azul	000 ⇔ 255	0-100%
28	Ámbar	000 ⇔ 255	0-100%

7 celdas RGB 21CH

Canal	Función	Valor	Porcentaje/Configuración
1	Rojo 1	000 ⇄ 255	0–100%
2	Verde 1	000 ⇄ 255	0–100%
3	Azul 1	000 ⇄ 255	0–100%
4	Rojo 2	000 ⇄ 255	0–100%
5	Verde 2	000 ⇄ 255	0–100%
6	Azul 2	000 ⇄ 255	0–100%
7	Rojo 3	000 ⇄ 255	0–100%
8	Verde 3	000 ⇄ 255	0–100%
9	Azul 3	000 ⇄ 255	0–100%
10	Rojo 4	000 ⇄ 255	0–100%
11	Verde 4	000 ⇄ 255	0–100%
12	Azul 4	000 ⇄ 255	0–100%
13	Rojo 5	000 ⇄ 255	0–100%
14	Verde 5	000 ⇄ 255	0–100%
15	Azul 5	000 ⇄ 255	0–100%
16	Rojo 6	000 ⇄ 255	0–100%
17	Verde 6	000 ⇄ 255	0–100%
18	Azul 6	000 ⇄ 255	0–100%
19	Rojo 7	000 ⇄ 255	0–100%
20	Verde 7	000 ⇄ 255	0–100%
21	Azul 7	000 ⇄ 255	0–100%

7 celdas HSV 21CH

Canal	Función	Valor	Porcentaje/Configuración
1	Tono 1	000 ⇄ 255	0–100%
2	Saturación 1	000 ⇄ 255	0–100%
3	Valor 1	000 ⇄ 255	0–100%
4	Tono 2	000 ⇄ 255	0–100%
5	Saturación 2	000 ⇄ 255	0–100%
6	Valor 2	000 ⇄ 255	0–100%
7	Tono 3	000 ⇄ 255	0–100%
8	Saturación 3	000 ⇄ 255	0–100%
9	Valor 3	000 ⇄ 255	0–100%
10	Tono 4	000 ⇄ 255	0–100%
11	Saturación 4	000 ⇄ 255	0–100%
12	Valor 4	000 ⇄ 255	0–100%
13	Tono 5	000 ⇄ 255	0–100%
14	Saturación 5	000 ⇄ 255	0–100%
15	Valor 5	000 ⇄ 255	0–100%
16	Tono 6	000 ⇄ 255	0–100%
17	Saturación 6	000 ⇄ 255	0–100%
18	Valor 6	000 ⇄ 255	0–100%
19	Tono 7	000 ⇄ 255	0–100%
20	Saturación 7	000 ⇄ 255	0–100%
21	Valor 7	000 ⇄ 255	0–100%

Personalidad de 1 celda

1 celda RGBAL FULL 17CH

Canal	Función	Valor	Porcentaje/Configuración
1	Atenuador	000 ⇔ 255	0–100%
2	Atenuador fino	000 ⇔ 255	0–100%
3	Rojo	000 ⇔ 255	0–100%
4	Rojo fino	000 ⇔ 255	0–100%
5	Verde	000 ⇔ 255	0–100%
6	Verde fino	000 ⇔ 255	0–100%
7	Azul	000 ⇔ 255	0–100%
8	Azul fino	000 ⇔ 255	0–100%
9	Ámbar	000 ⇔ 255	0–100%
10	Ámbar fino	000 ⇔ 255	0–100%
11	Limón	000 ⇔ 255	0–100%
12	Limón fino	000 ⇔ 255	0–100%
13	Rueda de Color Virtual	000 ⇔ 255	Consulte la sección Tabla de Colores VCW para ver los valores específicos
14	Temperaturas de color	000 ⇔ 255	Consulte el apartado Gráfico de Temperaturas de Color para ver valores concretos
15	Estroboscopio	000 ⇔ 010 011 ⇔ 255	Sin función Estroboscopio, lento a rápido
16	Macros de color	000 ⇔ 015 016 ⇔ 255	Sin función Macros de color
17	Velocidad atenuador	000 ⇔ 051 052 ⇔ 101 102 ⇔ 152 153 ⇔ 203 204 ⇔ 255	Pre configura la velocidad del atenuador desde la pantalla de menú Atenuador lineal Curva de atenuación no-lineal 1 (la más rápida) Curva de atenuación no-lineal 2 Curva de atenuación no-lineal 3

1 celda RGBAL Fine 10CH

Canal	Función	Valor	Porcentaje/Configuración
1	Rojo	000 ⇔ 255	0–100%
2	Rojo fino	000 ⇔ 255	0–100%
3	Verde	000 ⇔ 255	0–100%
4	Verde fino	000 ⇔ 255	0–100%
5	Azul	000 ⇔ 255	0–100%
6	Azul fino	000 ⇔ 255	0–100%
7	Ámbar	000 ⇔ 255	0–100%
8	Ámbar fino	000 ⇔ 255	0–100%
9	Limón	000 ⇔ 255	0–100%
10	Limón fino	000 ⇔ 255	0–100%

1 celda RGBAL EXT 10CH

Canal	Función	Valor	Porcentaje/Configuración
1	Atenuador	000 ⇔ 255	0–100%
2	Atenuador fino	000 ⇔ 255	0–100%
3	Rojo	000 ⇔ 255	0–100%
4	Verde	000 ⇔ 255	0–100%
5	Azul	000 ⇔ 255	0–100%
6	Ámbar	000 ⇔ 255	0–100%
7	Limón	000 ⇔ 255	0–100%
8	Rueda de Color Virtual	000 ⇔ 255	Consulte la sección Tabla de Colores VCW para ver los valores específicos
9	Temperaturas de color	000 ⇔ 255	Consulte el apartado Gráfico de Temperaturas de Color para ver valores concretos
10	Estroboscopio	000 ⇔ 010 011 ⇔ 255	Sin función Estroboscopio, lento a rápido

1 celda RGBA EXT 9CH

Canal	Función	Valor	Porcentaje/Configuración
1	Atenuador	000 ⇔ 255	0–100%
2	Atenuador fino	000 ⇔ 255	0–100%
3	Rojo	000 ⇔ 255	0–100%
4	Verde	000 ⇔ 255	0–100%
5	Azul	000 ⇔ 255	0–100%
6	Ámbar	000 ⇔ 255	0–100%
7	Rueda de Color Virtual	000 ⇔ 255	Consulte la sección Tabla de Colores VCW para ver los valores específicos
8	Temperaturas de color	000 ⇔ 255	Consulte el apartado Gráfico de Temperaturas de Color para ver valores concretos
9	Estroboscopio	000 ⇔ 010 011 ⇔ 255	Sin función Estroboscopio, lento a rápido

1 celda RGB EXT 8CH

Canal	Función	Valor	Porcentaje/Configuración
1	Atenuador	000 ⇔ 255	0–100%
2	Atenuador fino	000 ⇔ 255	0–100%
3	Rojo	000 ⇔ 255	0–100%
4	Verde	000 ⇔ 255	0–100%
5	Azul	000 ⇔ 255	0–100%
6	Rueda de Color Virtual	000 ⇔ 255	Consulte la sección Tabla de Colores VCW para ver los valores específicos
7	Temperaturas de color	000 ⇔ 255	Consulte el apartado Gráfico de Temperaturas de Color para ver valores concretos
8	Estroboscopio	000 ⇔ 010 011 ⇔ 255	Sin función Estroboscopio, lento a rápido

1 celda RGBAL 5CH

Canal	Función	Valor	Porcentaje/Configuración
1	Rojo	000 ⇔ 255	0–100%
2	Verde	000 ⇔ 255	0–100%
3	Azul	000 ⇔ 255	0–100%
4	Ámbar	000 ⇔ 255	0–100%
5	Limón	000 ⇔ 255	0–100%

1 celda RGBA 4CH

Canal	Función	Valor	Porcentaje/Configuración
1	Rojo	000 ⇔ 255	0–100%
2	Verde	000 ⇔ 255	0–100%
3	Azul	000 ⇔ 255	0–100%
4	Ámbar	000 ⇔ 255	0–100%

1 celda RGB 3CH

Canal	Función	Valor	Porcentaje/Configuración
1	Rojo	000 ⇔ 255	0–100%
2	Verde	000 ⇔ 255	0–100%
3	Azul	000 ⇔ 255	0–100%

1 celda DMX-VCW-CCT 3CH

Canal	Función	Valor	Porcentaje/Configuración
1	Atenuador	000 ⇔ 255	0–100%
2	Rueda de Color Virtual	000 ⇔ 255	Consulte la sección Tabla de Colores VCW para ver los valores específicos
3	Temperaturas de color	000 ⇔ 255	Consulte el apartado Gráfico de Temperaturas de Color para ver valores concretos

1-celda HSV 3CH

Canal	Función	Valor	Porcentaje/Configuración
1	Tono	000 ⇔ 255	0–100%
2	Saturación	000 ⇔ 255	0–100%
3	Valor	000 ⇔ 255	0–100%

À Propos de ce Manuel

Le Manuel de Référence (MR) Ovation B-1965FC reprend des informations de base sur ce produit notamment en matière de connexions, montage, options de menu et valeurs DMX. Téléchargez le manuel d'utilisation sur www.chauvetprofessional.com pour de plus amples informations.

Clause de Non-Responsabilité

Les informations et caractéristiques contenues dans ce manuel sont sujettes à changement sans préavis.

GARANTIE LIMITÉE

VEUILLEZ VISITER NOTRE SITE INTERNET POUR CONSULTER LES MODALITÉS D'ENREGISTREMENT DE LA GARANTIE ET LES CONDITIONS GÉNÉRALES COMPLÈTES.

Pour les clients aux États-Unis et au Mexique: www.chauvetlighting.com/warranty-registration

Pour les clients du Royaume-Uni, de la République d'Irlande, de la Belgique, des Pays-Bas, du Luxembourg, de la France et de l'Allemagne: www.chauvetlighting.eu/warranty-registration/

Chauvet garantit que cet appareil est exempt de défauts de matériaux et de fabrication dans des conditions normales d'utilisation, pendant la période spécifiée dans la garantie limitée complète consultable sur notre site Internet et sous réserve des exclusions et limitations qui y sont énoncées. Cette garantie ne s'applique qu'à l'acheteur initial du produit et n'est pas transférable. Pour exercer les droits prévus par cette garantie, vous devez fournir une preuve d'achat sous la forme d'un reçu de vente original d'un revendeur autorisé qui indique le nom du produit et la date d'achat. **IL N'EXISTE AUCUNE AUTRE GARANTIE EXPRESSE OU IMPLICITE.** Cette garantie vous confère des droits légaux spécifiques. Vous pouvez également bénéficier d'autres droits qui varient selon les états et les pays. Cette garantie n'est valable qu'aux États-Unis, au Royaume-Uni, en République d'Irlande, en Belgique, aux Pays-Bas, au Luxembourg, en France, en Allemagne et au Mexique. Pour connaître les conditions de garantie dans d'autres pays, veuillez consulter votre revendeur local.

Consignes de Sécurité

Ces consignes de sécurité contiennent des informations importantes en matière d'installation, d'utilisation et d'entretien.

- N'ouvrez PAS ce produit. Il ne contient aucun composant susceptible d'être réparé par l'utilisateur.
- Ne regardez PAS la source lumineuse lorsque le produit fonctionne.
- Durant les périodes de non-utilisation, pour éviter toute usure inutile et pour prolonger la durée de vie, déconnectez-entièrement l'appareil en le débranchant de l'alimentation électrique ou en coupant le disjoncteur.
- ATTENTION: Lorsque l'appareil est transféré d'un environnement à température extrême à un autre (par exemple d'un camion froid vers une salle de bal chaude et humide), de la condensation peut se former sur les composants électriques internes. Pour éviter de causer des dommages, laissez l'appareil s'acclimater entièrement au milieu environnant avant de le mettre sous tension.
- ATTENTION: le boîtier de ce produit est brûlant lors du fonctionnement.
- Montez toujours ce produit dans un endroit bien ventilé, à au moins, 20 pouces (50 cm) des surfaces adjacentes.
- Ne laissez AUCUNE source inflammable dans un rayon de 50 cm du produit lorsque celui-ci fonctionne.
- Utilisez TOUJOURS un câble de sécurité lorsque vous montez ce produit en hauteur.
- N'utilisez PAS ce produit en extérieur ou tout autre endroit où de la poussière, une chaleur excessive, de l'eau ou de l'humidité pour en affecter le fonctionnement.
- N'utilisez PAS ce produit si le boîtier, les lentilles ou les câbles vous semblent endommagés.
- Ne connectez PAS ce produit ni à un gradateur ni à un rhéostat.
- Connectez UNIQUEMENT ce produit à un circuit protégé et relié à la terre.
- Transportez/Suspendez ce produit UNIQUEMENT au moyen de la poignée ou lyre de suspension dont il est doté.
- En cas de sérieux problèmes de fonctionnement, arrêtez le système immédiatement.
- La température ambiante maximale supportée par ce produit est de 113 °F (45 °C). Ne le faites pas fonctionner à des températures plus élevées.

Conformité FCC

Cet appareil est conforme à la partie 15, sous-partie B du règlement de la FCC. L'utilisation est soumise aux deux conditions suivantes:

1. Cet appareil ne doit pas causer d'interférences nuisibles, et
2. Cet appareil doit accepter toutes les interférences reçues, y compris celles pouvant entraîner un fonctionnement indésirable.

Tout changement ou modification non expressément approuvé par l'autorité responsable de la conformité pourrait annuler le droit de l'utilisateur à utiliser l'équipement.

Contact

En dehors des États-Unis, du Royaume-Uni, de l'Irlande, du Benelux, de la France, de l'Allemagne, ou du Mexique, contactez votre fournisseur si vous avez besoin d'assistance ou de retourner votre appareil. Consultez le site [Contact Us](#) pour trouver nos coordonnées.

Ce qui est Inclus

- Ovation B-1965FC
- Un Cordon d'Alimentation Neutrik® powerCON®
- Filtre mur lavage
- Un Manuel de Référence

Alimentation CA

Ce produit est doté d'une alimentation universelle prenant en charge toute tension d'entrée comprise entre 100 et 240 VCA, 50/60 Hz.

Connexion Électrique

Vous pouvez connecter jusqu'à 3 Ovation B-1965FC à 120 V, 6 unités à 208 V ou 7 unités à 230 V. Vous pouvez vous procurer séparément des cordons d'alimentation.

Prise CA

Connexion	Câble (États-Unis)	Câble (Europe)	Couleur de la Vis
Conducteur CA	Noir	Marron	Jaune/Cuivré
Neutre CA	Blanc	Bleu	Argenté
Terre CA	Vert/Jaune	Vert/Jaune	Vert



Durant les périodes de non-utilisation, pour éviter tout usure inutile et pour prolonger la durée de vie, déconnectez-entièrement l'appareil en le débranchant de l'alimentation électrique ou en coupant le disjoncteur.

Remplacement du Fusible

1. Débranchez l'appareil de la prise.
2. À l'aide d'un tournevis Philips à tête n° 2, dévissez le couvercle du porte-fusible.
3. Remplacez le fusible obsolète par un fusible neuf équivalent
4. Revissez le couvercle du porte-fusible et rebranchez l'unité.

Connexions du signal

Vous pouvez relier le Ovation B-1965FC à un contrôleur ou à un logiciel de contrôle à l'aide d'une connexion DMX ou une connexion Ethernet. En cas d'utilisation du Ovation B-1965FC, conjointement avec d'autres appareils compatibles avec les protocoles Art-Net™ ou sACN, vous gardez le contrôle individuel sur un même réseau. Veuillez consulter le manuel d'utilisation pour plus d'informations sur la connexion et la configuration de l'appareil avec ces signaux.

Personnalités de contrôle

Le Ovation B-1965FC utilise les protocoles DMX, Art-Net™ et sACN pour ses 17 personnalités de contrôle composées de **3CH** à **96CH** en mode 1 cellule et 7 cellules:

Mode	1 cellule	7 cellules
DMX-VCW-CCT	3	N/A
HSV	3	21
RGB	3	21
RGBA	4	28
RGBAL	5	35
RGB EXT	8	45
RGBA EXT	9	52
RGBAL EXT	10	59
RGBAL Fine	10	70
RGBAL FULL	17	96

Connexion DMX

Le Ovation B-1965FC fonctionnera avec un jeu d'orgues DMX au moyen de connexions DMX en série standard. Une introduction au DMX est à votre disposition sur www.chauvetprofessional.com.

Connexion Art-Net™

Art-Net™ est un protocole Ethernet par TCP/IP qui permet de transférer de grandes quantités de données DMX512 en utilisant une connexion etherCON RJ45 sur un grand réseau. Une introduction au protocole Art-Net™ est disponible sur le site internet www.chauvetprofessional.com. Chauvet Professional recommande d'utiliser le mode Unicast pour de meilleurs résultats.

Art-Net™ conçu et droit d'auteur par Artistic Licence Holdings Ltd.

Connexion sACN

Également appelé ANSI E1.31, le streaming ACN est un protocole Ethernet qui utilise les couches et le formatage de l'Architecture for Control Networks pour transporter des données DMX512 par IP ou tout autre réseau compatible ACN. L'ACN est maintenu par la PLASA (Professional Lighting and Sound Association).

Connexion Maître/Esclave

Le Ovation B-1965FC utilise une connexion de données DMX pour son mode Maître/Esclave. Consultez le Manuel d'Utilisation pour connecter et configurer le mode de fonctionnement Maître/Esclave.

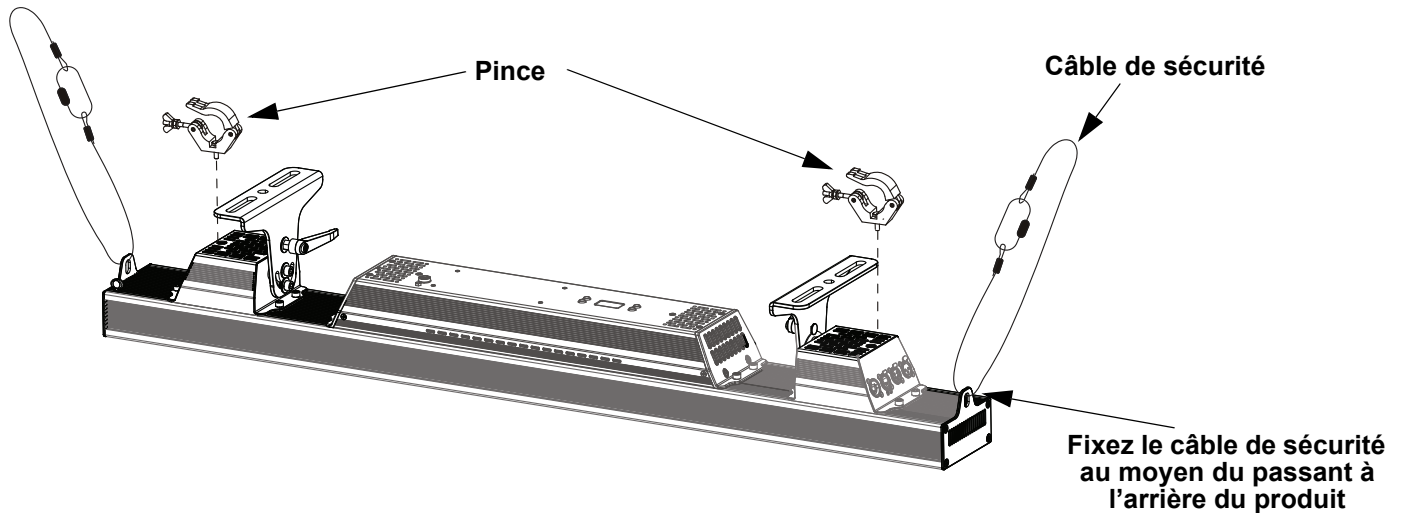
RDM (Gestion des Périphériques à Distance)

Le protocole RDM (gestion des périphériques à distance) est un standard pour la communication bidirectionnelle des appareils dotés de fonctions DMX dans un câblage DMX existant. Le EI Ovation B-1965FC supporte le protocole RDM permettant un retour d'information pour la surveillance de la température et des changements des options de menu **DMX Address** et **DMX Channel**. Veuillez télécharger le manuel de l'utilisateur à partir du site internet www.chauvetprofessional.com pour plus de détails.

Installation

Avant de monter cet appareil, lisez et assimilez les [Consignes de Sécurité](#). Utilisez au moins deux points de fixation par appareil. Veillez à ce que les fixations sont capables de supporter le poids de l'unité. Découvrez notre gamme de fixations Chauvet sur <http://trusst.com/products>.

Schéma de Montage de l'appareil



Serveur Web

Le serveur web de l'Ovation B-1965FC peut être accédé à partir de n'importe quel ordinateur connecté sur le même réseau que l'appareil. Il permet un accès réseau aux informations systèmes et aux paramètres tels que le protocole de contrôle et l'adresse de démarrage. Il permet également de tester la sortie de couleur et de modifier le mot de passe du serveur web.

Pour accéder au serveur web:

1. Paramétrez l'adresse IP du réseau afin que le premier chiffre soit identique à celui de l'adresse IP de l'appareil.
2. Saisissez l'adresse IP de l'appareil dans la barre d'adresse d'un navigateur Internet.
3. Saisissez **admin** en tant que nom d'utilisateur et mot de passe pour vous identifier.

Roue de Couleurs Virtuelles (VCW)

Le Ovation B-1965FC dispose d'une fonction appelée Roue de Couleur Virtuelle (VCW - Virtual Color Wheel). Cette fonction est disponible en mode de contrôle autonome pour une utilisation manuelle mais également en tant que canal de contrôle dans certaines personnalités DMX. Plus de 30 couleurs pré-mélangées, personnalisées par nos ingénieurs, sont disponibles pour faciliter la programmation.

Les valeurs DMX utilisées pour mélanger ces couleurs sont indiquées ci-dessous. Vous pouvez ajuster l'intensité globale du Ovation afin de reproduire plus fidèlement les couleurs que vous avez l'habitude d'utiliser. Un graphique est disponible sur notre site Web à l'adresse www.chauvetprofessional.com pour comparer nos couleurs pré-mélangées avec des couleurs de gel populaires. Ce tableau est fourni uniquement à des fins de comparaison et ne certifie pas que nos couleurs pré-mélangées correspondent aux couleurs de gel énumérées.

Gamme de Couleurs

Valeurs des Canaux DMX	Affichage à l'Écran	Valeur Rouge	Valeur Vert	Valeur Bleu	Valeur Ambre	Valeur Lime
000 ⇔ 005	--	000	000	000	000	000
006 ⇔ 013	C3050 - Md Yellow	150	125	002	255	043
014 ⇔ 021	C3040 - Lt Yellow	235	108	005	255	076
022 ⇔ 028	C3240 - Amb Yellow	171	036	000	120	255
029 ⇔ 035	C2340 - V Lt Amber	255	015	017	255	170
036 ⇔ 043	C2040 - Lt Amber	255	000	010	255	143
044 ⇔ 051	C2050 - Md Amber	255	000	003	255	075
052 ⇔ 059	C2060 - Dk Amber	188	000	002	255	044
060 ⇔ 067	C1050 - Lt Red	255	000	002	021	002
068 ⇔ 075	C1080 - Md Red	255	000	002	000	000
076 ⇔ 083	C1020 - NC Pink	255	130	025	255	027
084 ⇔ 091	C1030 - Md Pink	255	013	041	235	182
092 ⇔ 099	C1630 - Dk Pink	255	015	027	030	255
100 ⇔ 107	C1250 - Md Red Amber	255	000	004	115	009
108 ⇔ 115	C1060 - Dk Red Amber	255	000	004	011	008
116 ⇔ 121	C1650 - Magenta	255	000	022	081	039
122 ⇔ 130	C6170 - Dk Magenta	160	000	025	000	004
131 ⇔ 138	C6020 - Lt Lavender	255	162	043	255	140
139 ⇔ 146	C5030 - Lt Blue	012	255	070	076	115
147 ⇔ 154	C5020 - V Lt Blue	030	187	085	215	255
155 ⇔ 162	C5430 - Lt Blue 2	004	255	062	093	049
163 ⇔ 170	C5070 - Blue	005	255	190	003	012
171 ⇔ 178	C5050 - Md Blue	008	250	145	005	088
179 ⇔ 186	C5060 - Dk Blue	005	209	255	015	074
187 ⇔ 194	C5690 - Indigo	005	000	200	013	003
195 ⇔ 202	C5080 - V Dk Blue	007	112	255	005	007
203 ⇔ 210	C5081 - V Dk Blue 2	004	108	255	003	004
211 ⇔ 218	C4370 - Yel Green	004	255	000	005	003
219 ⇔ 226	C4070 - Green	027	255	006	000	020
227 ⇔ 234	C4550 - Turquoise	007	255	021	070	076
235 ⇔ 242	C4560 - Aqua	007	255	031	085	115
243 ⇔ 250	C4570 - Blue Green	002	255	017	002	020
251 ⇔ 255	--	000	000	000	000	000



Remarque: Les couleurs ci-dessus sont des rendus simulés de couleurs produits sur base des couleurs émises par les appareils à incandescence. Chauvet ne peut garantir l'exactitude du rendu d'une couleur.

Gamme des Températures de Couleur

Valeurs des Canaux DMX	Affichage à l'Écran	Valeur Rouge	Valeur Vert	Valeur Bleu	Valeur Ambre	Valeur Lime
000 ⇔ 005	--	000	000	000	000	000
006 ⇔ 025	2800K	237	120	036	255	255
026 ⇔ 050	3000K	220	128	050	255	255
051 ⇔ 075	3200K	176	128	057	255	255
076 ⇔ 100	3500K	154	128	080	255	255
101 ⇔ 125	4000K	128	128	112	255	255
126 ⇔ 150	4500K	108	128	133	255	255
151 ⇔ 175	5000K	097	128	152	255	255
176 ⇔ 200	5600K	087	128	170	255	255
201 ⇔ 225	6000K	075	128	177	255	255
226 ⇔ 250	6500K	066	128	187	255	255
251 ⇔ 255	--	000	000	000	000	000



Remarque: Les températures de couleur ci-dessus sont des rendus simulés de la sortie de couleur effectivement générée par comparaison avec une lampe tungstène à la température de couleur spécifiée. Chauvet ne donne aucune garantie sur la précision de la sortie de couleur.

Description du Tableau de Commandes

Bouton	Fonction
<MENU>	Permet la sortie du menu ou de la fonction en cours
<ENTER>	Permet l'affichage du menu en cours ou permet de configurer la valeur en cours dans la fonction sélectionnée
<UP>	Permet de parcourir les listes de menu vers le haut, dans une fonction permet d'augmenter les valeurs numériques
<DOWN>	Permet de parcourir les listes de menu vers le bas, dans une fonction permet de diminuer les valeurs numériques

Tableau de Menu

Niveau Principal	Niveaux de Programmation		Description
Protocol	DMX512		Définit le protocole de contrôle
	ArtNet		
	sACN		
Start Address	001-510*		Permet de sélectionner l'adresse de démarrage (*le canal le plus élevé est restreint à la personnalité choisie)
Personality	1-Cell	DMX-VCW-CCT 3CH	3 canaux: gradation, roue de couleur virtuelle, température de couleur
		HSV 3CH	3 canaux: commande HSV
		RGB 3CH	3-canaux: RGB
		RGBA 4CH	4-canaux: RGBA
		RGBAL 5CH	5-canaux: RGBAL
		RGB EXT 8CH	8 canaux: gradation 16-bit, RGB, roue de couleur virtuelle, température de couleur, stroboscope
		RGBA EXT 9CH	9 canaux: gradation 16-bit, RGBA, roue de couleur virtuelle, température de couleur, stroboscope
		RGBAL EXT 10CH	10 canaux: gradation 16-bit, RGBAL, roue de couleur virtuelle, température de couleur, stroboscope
		RGBAL Fine 10CH	10 canaux: RGBAL 16-bit
	RGBAL FULL 17CH	17 canaux: gradation 16-bit, RGBAL 16-bit, roue de couleur virtuelle, température de couleur, stroboscope, macros de couleurs, mode gradation	
	7-Cell	RGB 21CH	21 canaux: RGB (par cellule)
		HSV 21CH	21 canaux: commande HSV (par cellule)
		RGBA 28CH	28 canaux: RGBA (par cellule)
		RGBAL 35CH	32 canaux: RGBAL (par cellule)
		RGB EXT 45CH	45 canaux: gradation 16-bit, RGB (par cellule), roue de couleur virtuelle (par cellule), température de couleur (par cellule), stroboscope (par cellule)
		RGBA EXT 52CH	52 canaux: gradation 16-bit, RGBA (par cellule), roue de couleur virtuelle (par cellule), température de couleur (par cellule), stroboscope (par cellule)
		RGBAL EXT 59CH	59 canaux: gradation 16-bit, RGBAL (par cellule), roue de couleur virtuelle (par cellule), température de couleur (par cellule), stroboscope (par cellule)
		RGBAL Fine 70CH	70 canaux: RGBAL 16-bit (par cellule)
		RGBAL FULL 96CH	96 canaux: gradation 16-bit, 16-bit RGBAL (par cellule), roue de couleur virtuelle (par cellule), température de couleur (par cellule), stroboscope (par cellule), macros de couleurs, mode gradation

Niveau Principal	Niveaux de Programmation		Description		
Virtual Color Wheel	Virtual Color Wheel	<p>C3050 - Md Yellow</p> <p>C3040 - Lt Yellow</p> <p>C3240 - Amb Yellow</p> <p>C2340 - VLt Amber</p> <p>C2040 - Lt Amber</p> <p>C2050 - Md Amber</p> <p>C2060 - Dk Amber</p> <p>C1050 - Lt Red</p> <p>C1080 - Md Red</p> <p>C1020 - NC Pink</p> <p>C1030 - Md Pink</p> <p>C1630 - Dk Pink</p> <p>C1250 - Md Red Amber</p> <p>C1060 - Dk Red Amber</p> <p>C1650 - Magenta</p> <p>C6170 - Dk Magenta</p> <p>C6020 - Lt Lavender</p> <p>C5030 - Lt Blue</p> <p>C5020 - VLt Blue</p> <p>C5430 - Lt Blue 2</p> <p>C5070 - Blue</p> <p>C5050 - Md Blue</p> <p>C5060 - Dk Blue</p> <p>C5690 - Indigo</p> <p>C5080 - Vdk Blue</p> <p>C5081 - Vdk Blue 2</p> <p>C4370 - Yel Green</p> <p>C4070 - Green</p> <p>C4550 - Turquoise</p> <p>C4560 - Aqua</p> <p>C4570 - Blue Green</p>		Roue de Couleurs Virtuelles (VCW) simule le rendu des gélamines de couleur de Consultez la section Gamme de Couleurs pour en connaître les valeurs spécifiques	
		Dimmer	<000-255>	Températures de couleur de blanc prédéfinies. Simule une lampe tungstène à la température de couleur spécifiée. Consultez la section Gamme des Températures de Couleur pour les valeurs spécifiques	
		Virtual Color Wheel	Color Temperature	<p>2800K</p> <p>3000K</p> <p>3200K</p> <p>3500K</p> <p>4000K</p> <p>4500K</p> <p>5000K</p> <p>5600K</p> <p>6000K</p> <p>6500K</p>	Températures de couleur de blanc prédéfinies. Simule une lampe tungstène à la température de couleur spécifiée. Consultez la section Gamme des Températures de Couleur pour les valeurs spécifiques
		Manual Color Mixer	Manual Color Mixer	<p>Red</p> <p>Green</p> <p>Blue</p> <p>Amber</p> <p>Lime</p>	Combine les couleurs rouge, vert, bleu, ambre et lime pour un résultat personnalisé (0–100%)

Niveau Principal	Niveaux de Programmation		Description	
Auto Show	Auto 1	Speed 1–100	Sélectionne les programmes automatiques et vitesse auto	
	Auto 2			
	Auto 3			
	Auto 4			
	Auto 5			
	Auto 6			
	Auto 7			
	Auto 8			
	Auto 9			
	Fade			
Master/Slave	Master		Mode maître	
	Slave		Mode esclave	
Dimmer Mode	Off		Assombrissement linéaire	
	Dimmer 1		Courbe de gradation rapide	
	Dimmer 2		Courbe de gradation intermédiaire	
	Dimmer 3		Courbe d'assombrissement lente	
White Balance	Off		Utilise le paramétrage de blanc défini en usine	
	Manual	Red	125–255	Définit la valeur maximale de LED rouge
		Green		Définit la valeur maximale de LED verte
		Blue		Définit la valeur maximale de LED bleue
		Amber		Définit la valeur maximale de LED ambre
Lime		Définit la valeur maximale de LED lime		
LED Frequency	600Hz		Permet de sélectionner la fréquence de sortie MLI	
	1200Hz			
	2000Hz			
	4000Hz			
	6000Hz			
	25KHz			
Fan Mode	Auto		Réglez le ventilateur en mode automatique	
	On		Réglez le mode de ventilateur toujours allumé	
	Off		Réglez le mode de ventilateur toujours éteint	
	Silent		Réglez le mode de ventilateur toujours silencieux	
Display	Normal		Orientation de l'affichage normale	
	Inverted		Affichage renversé	
Back Light	10S		Désactive l'affichage rétro-éclairage après 10 secondes d'inactivité	
	30S		Désactive l'affichage rétro-éclairage après 30 secondes d'inactivité	
	2Min		Désactive l'affichage rétro-éclairage après 2 minutes d'inactivité	
	On		Affichage rétro-éclairage toujours active	
Ethernet Setting	Universe	1 (DMX)	Définit l'univers pour les protocoles Art-Net™ ou sACN	
		0–255 (Art-Net™)		
		1–256 (sACN)		
IP Address	---	Définit l'adresse IP		
Information	Fixture Hours	---	Affiche le nombre total des heures du produit	
	Version	V_--V_--	Affiche la version du logiciel installée	
	Device ID	-----	Affiche l'ID de l'appareil	
	UID:	-----	Affiche UID actuel #	
Factory Setting	No		Permet de réinitialiser aux valeurs par défaut d'usine	
	Yes			

Valeurs DMX

Personnalité à 7 cellules

7 cellules RGBAL FULL 96CH

Canal	Fonction	Valeur	Pourcentage/Configuration
1	Gradateur	000 ⇔ 255	0–100%
2	Gradateur fin	000 ⇔ 255	0–100%
3	Rouge 1	000 ⇔ 255	0–100%
4	Rouge fin 1	000 ⇔ 255	0–100%
5	Vert 1	000 ⇔ 255	0–100%
6	Vert fin 1	000 ⇔ 255	0–100%
7	Bleu 1	000 ⇔ 255	0–100%
8	Bleu fin 1	000 ⇔ 255	0–100%
9	Ambre 1	000 ⇔ 255	0–100%
10	Ambre fin 1	000 ⇔ 255	0–100%
11	Lime 1	000 ⇔ 255	0–100%
12	Lime fin 1	000 ⇔ 255	0–100%
13	Roue de Couleurs Virtuelles 1	000 ⇔ 255	Consultez la section Gamme de Couleurs pour en connaître les valeurs spécifiques
14	Température de la Couleur 1	000 ⇔ 255	Consultez la section Gamme des Températures de Couleur pour les valeurs spécifiques
15	Stroboscope 1	000 ⇔ 010 011 ⇔ 255	Pas de fonction Stroboscope, lent à rapide
16	Rouge 2	000 ⇔ 255	0–100%
17	Rouge fin 2	000 ⇔ 255	0–100%
18	Vert 2	000 ⇔ 255	0–100%
19	Vert fin 2	000 ⇔ 255	0–100%
20	Bleu 2	000 ⇔ 255	0–100%
21	Bleu fin 2	000 ⇔ 255	0–100%
22	Ambre 2	000 ⇔ 255	0–100%
23	Ambre fin 2	000 ⇔ 255	0–100%
24	Lime 2	000 ⇔ 255	0–100%
25	Lime fin 2	000 ⇔ 255	0–100%
26	Roue de Couleurs Virtuelles 2	000 ⇔ 255	Consultez la section Gamme de Couleurs pour en connaître les valeurs spécifiques
27	Température de la Couleur 2	000 ⇔ 255	Consultez la section Gamme des Températures de Couleur pour les valeurs spécifiques
28	Stroboscope 2	000 ⇔ 010 011 ⇔ 255	Pas de fonction Stroboscope, lent à rapide
29	Rouge 3	000 ⇔ 255	0–100%
30	Rouge fin 3	000 ⇔ 255	0–100%
31	Vert 3	000 ⇔ 255	0–100%
32	Vert fin 3	000 ⇔ 255	0–100%
33	Bleu 3	000 ⇔ 255	0–100%
34	Bleu fin 3	000 ⇔ 255	0–100%
35	Ambre 3	000 ⇔ 255	0–100%
36	Ambre fin 3	000 ⇔ 255	0–100%
37	Lime 3	000 ⇔ 255	0–100%
38	Lime fin 3	000 ⇔ 255	0–100%
39	Roue de Couleurs Virtuelles 3	000 ⇔ 255	Consultez la section Gamme de Couleurs pour en connaître les valeurs spécifiques
40	Température de la Couleur 3	000 ⇔ 255	Consultez la section Gamme des Températures de Couleur pour les valeurs spécifiques
41	Stroboscope 3	000 ⇔ 010 011 ⇔ 255	Pas de fonction Stroboscope, lent à rapide
42	Rouge 4	000 ⇔ 255	0–100%
43	Rouge fin 4	000 ⇔ 255	0–100%
44	Vert 4	000 ⇔ 255	0–100%

Canal	Fonction	Valeur	Pourcentage/Configuration
45	Vert fin 4	000 ⇔ 255	0–100%
46	Bleu 4	000 ⇔ 255	0–100%
47	Bleu fin 4	000 ⇔ 255	0–100%
48	Ambre 4	000 ⇔ 255	0–100%
49	Ambre fin 4	000 ⇔ 255	0–100%
50	Lime 4	000 ⇔ 255	0–100%
51	Lime fin 4	000 ⇔ 255	0–100%
52	Roue de Couleurs Virtuelles 4	000 ⇔ 255	Consultez la section Gamme de Couleurs pour en connaître les valeurs spécifiques
53	Température de la Couleur 4	000 ⇔ 255	Consultez la section Gamme des Températures de Couleur pour les valeurs spécifiques
54	Stroboscope 4	000 ⇔ 010 011 ⇔ 255	Pas de fonction Stroboscope, lent à rapide
55	Rouge 5	000 ⇔ 255	0–100%
56	Rouge fin 5	000 ⇔ 255	0–100%
57	Vert 5	000 ⇔ 255	0–100%
58	Vert fin 5	000 ⇔ 255	0–100%
59	Bleu 5	000 ⇔ 255	0–100%
60	Bleu fin 5	000 ⇔ 255	0–100%
61	Ambre 5	000 ⇔ 255	0–100%
62	Ambre fin 5	000 ⇔ 255	0–100%
63	Lime 5	000 ⇔ 255	0–100%
64	Lime fin 5	000 ⇔ 255	0–100%
65	Roue de Couleurs Virtuelles 5	000 ⇔ 255	Consultez la section Gamme de Couleurs pour en connaître les valeurs spécifiques
66	Température de la Couleur 5	000 ⇔ 255	Consultez la section Gamme des Températures de Couleur pour les valeurs spécifiques
67	Stroboscope 5	000 ⇔ 010 011 ⇔ 255	Pas de fonction Stroboscope, lent à rapide
68	Rouge 6	000 ⇔ 255	0–100%
69	Rouge fin 6	000 ⇔ 255	0–100%
70	Vert 6	000 ⇔ 255	0–100%
72	Vert fin 6	000 ⇔ 255	0–100%
72	Bleu 6	000 ⇔ 255	0–100%
73	Bleu fin 6	000 ⇔ 255	0–100%
74	Ambre 6	000 ⇔ 255	0–100%
75	Ambre fin 6	000 ⇔ 255	0–100%
76	Lime 6	000 ⇔ 255	0–100%
77	Lime fin 6	000 ⇔ 255	0–100%
78	Roue de Couleurs Virtuelles 6	000 ⇔ 255	Consultez la section Gamme de Couleurs pour en connaître les valeurs spécifiques
79	Température de la Couleur 6	000 ⇔ 255	Consultez la section Gamme des Températures de Couleur pour les valeurs spécifiques
80	Stroboscope 6	000 ⇔ 010 011 ⇔ 255	Pas de fonction Stroboscope, lent à rapide
81	Rouge 7	000 ⇔ 255	0–100%
82	Rouge fin 7	000 ⇔ 255	0–100%
83	Vert 7	000 ⇔ 255	0–100%
84	Vert fin 7	000 ⇔ 255	0–100%
85	Bleu 7	000 ⇔ 255	0–100%
86	Bleu fin 7	000 ⇔ 255	0–100%
87	Ambre 7	000 ⇔ 255	0–100%
88	Ambre fin 7	000 ⇔ 255	0–100%
89	Lime 7	000 ⇔ 255	0–100%
90	Lime fin 7	000 ⇔ 255	0–100%

Canal	Fonction	Valeur	Pourcentage/Configuration
91	Roue de Couleurs Virtuelles 7	000 ⇔ 255	Consultez la section Gamme de Couleurs pour en connaître les valeurs spécifiques
92	Température de la Couleur 7	000 ⇔ 255	Consultez la section Gamme des Températures de Couleur pour les valeurs spécifiques
93	Stroboscope 7	000 ⇔ 010 011 ⇔ 255	Pas de fonction Stroboscope, lent à rapide
94	Stroboscope tous	000 ⇔ 010 011 ⇔ 255	Pas de fonction Stroboscope, lent à rapide
95	Macros de couleur	000 ⇔ 015 016 ⇔ 255	Pas de fonction Macros de couleur
96	Vitesse du gradateur	000 ⇔ 051 052 ⇔ 101 102 ⇔ 152 153 ⇔ 203 204 ⇔ 255	Vitesse du gradateur prédéfinie depuis le menu Gradateur linéaire Courbe de gradation non linéaire 1 (le plus rapide) Courbe de gradation non linéaire 2 Courbe de gradation non linéaire 3 (le moins rapide)

7 cellules RGBAL Fine 70CH

Canal	Fonction	Valeur	Pourcentage/Configuration
1	Rouge 1	000 ⇔ 255	0–100%
2	Rouge fin 1	000 ⇔ 255	0–100%
3	Vert 1	000 ⇔ 255	0–100%
4	Vert fin 1	000 ⇔ 255	0–100%
5	Bleu 1	000 ⇔ 255	0–100%
6	Bleu fin 1	000 ⇔ 255	0–100%
7	Ambre 1	000 ⇔ 255	0–100%
8	Ambre fin 1	000 ⇔ 255	0–100%
9	Lime 1	000 ⇔ 255	0–100%
10	Lime fin 1	000 ⇔ 255	0–100%
11	Rouge 2	000 ⇔ 255	0–100%
12	Rouge fin 2	000 ⇔ 255	0–100%
13	Vert 2	000 ⇔ 255	0–100%
14	Vert fin 2	000 ⇔ 255	0–100%
15	Bleu 2	000 ⇔ 255	0–100%
16	Bleu fin 2	000 ⇔ 255	0–100%
17	Ambre 2	000 ⇔ 255	0–100%
18	Ambre fin 2	000 ⇔ 255	0–100%
19	Lime 2	000 ⇔ 255	0–100%
20	Lime fin 2	000 ⇔ 255	0–100%
21	Rouge 3	000 ⇔ 255	0–100%
22	Rouge fin 3	000 ⇔ 255	0–100%
23	Vert 3	000 ⇔ 255	0–100%
24	Vert Fin 3	000 ⇔ 255	0–100%
25	Bleu 3	000 ⇔ 255	0–100%
26	Bleu fin 3	000 ⇔ 255	0–100%
27	Ambre 3	000 ⇔ 255	0–100%
28	Ambre fin 3	000 ⇔ 255	0–100%
29	Lime 3	000 ⇔ 255	0–100%
30	Lime fin 3	000 ⇔ 255	0–100%
31	Rouge 4	000 ⇔ 255	0–100%
32	Rouge fin 4	000 ⇔ 255	0–100%
33	Vert 4	000 ⇔ 255	0–100%
34	Vert fin 4	000 ⇔ 255	0–100%
35	Bleu 4	000 ⇔ 255	0–100%
36	Bleu fin 4	000 ⇔ 255	0–100%
37	Ambre 4	000 ⇔ 255	0–100%
38	Ambre fin 4	000 ⇔ 255	0–100%

Canal	Fonction	Valeur	Pourcentage/Configuration
39	Lime 4	000 ⇄ 255	0–100%
40	Lime fin 4	000 ⇄ 255	0–100%
41	Rouge 5	000 ⇄ 255	0–100%
42	Rouge fin 5	000 ⇄ 255	0–100%
43	Vert 5	000 ⇄ 255	0–100%
44	Vert fin 5	000 ⇄ 255	0–100%
45	Bleu 5	000 ⇄ 255	0–100%
46	Bleu fin 5	000 ⇄ 255	0–100%
47	Ambre 5	000 ⇄ 255	0–100%
48	Ambre fin 5	000 ⇄ 255	0–100%
49	Lime 5	000 ⇄ 255	0–100%
50	Lime fin 5	000 ⇄ 255	0–100%
51	Rouge 6	000 ⇄ 255	0–100%
52	Rouge fin 6	000 ⇄ 255	0–100%
53	Vert 6	000 ⇄ 255	0–100%
54	Vert fin 6	000 ⇄ 255	0–100%
55	Bleu 6	000 ⇄ 255	0–100%
56	Bleu fin 6	000 ⇄ 255	0–100%
57	Ambre 6	000 ⇄ 255	0–100%
58	Ambre fin 6	000 ⇄ 255	0–100%
59	Lime 6	000 ⇄ 255	0–100%
60	Lime fin 6	000 ⇄ 255	0–100%
61	Rouge 7	000 ⇄ 255	0–100%
62	Rouge fin 7	000 ⇄ 255	0–100%
63	Vert 7	000 ⇄ 255	0–100%
64	Vert fin 7	000 ⇄ 255	0–100%
65	Bleu 7	000 ⇄ 255	0–100%
66	Bleu fin 7	000 ⇄ 255	0–100%
67	Ambre 7	000 ⇄ 255	0–100%
68	Ambre fin 7	000 ⇄ 255	0–100%
69	Lime 7	000 ⇄ 255	0–100%
70	Lime fin 7	000 ⇄ 255	0–100%

7 cellules RGBAL EXT 59CH

Canal	Fonction	Valeur	Pourcentage/Configuration
1	Gradateur	000 ⇔ 255	0–100%
2	Gradateur fin	000 ⇔ 255	0–100%
3	Rouge 1	000 ⇔ 255	0–100%
4	Vert 1	000 ⇔ 255	0–100%
5	Bleu 1	000 ⇔ 255	0–100%
6	Ambre 1	000 ⇔ 255	0–100%
7	Lime 1	000 ⇔ 255	0–100%
8	Roue de Couleurs Virtuelles 1	000 ⇔ 255	Consultez la section Gamme de Couleurs pour en connaître les valeurs spécifiques
9	Température de la Couleur 1	000 ⇔ 255	Consultez la section Gamme des Températures de Couleur pour les valeurs spécifiques
10	Stroboscope 1	000 ⇔ 010 011 ⇔ 255	Pas de fonction Stroboscope, lent à rapide
11	Rouge 2	000 ⇔ 255	0–100%
12	Vert 2	000 ⇔ 255	0–100%
13	Bleu 2	000 ⇔ 255	0–100%
14	Ambre 2	000 ⇔ 255	0–100%
15	Lime 2	000 ⇔ 255	0–100%
16	Roue de Couleurs Virtuelles 2	000 ⇔ 255	Consultez la section Gamme de Couleurs pour en connaître les valeurs spécifiques
17	Température de la Couleur 2	000 ⇔ 255	Consultez la section Gamme des Températures de Couleur pour les valeurs spécifiques
18	Stroboscope 2	000 ⇔ 010 011 ⇔ 255	Pas de fonction Stroboscope, lent à rapide
19	Rouge 3	000 ⇔ 255	0–100%
20	Vert 3	000 ⇔ 255	0–100%
21	Bleu 3	000 ⇔ 255	0–100%
22	Ambre 3	000 ⇔ 255	0–100%
23	Lime 3	000 ⇔ 255	0–100%
24	Roue de Couleurs Virtuelles 3	000 ⇔ 255	Consultez la section Gamme de Couleurs pour en connaître les valeurs spécifiques
25	Température de la Couleur 3	000 ⇔ 255	Consultez la section Gamme des Températures de Couleur pour les valeurs spécifiques
26	Stroboscope 3	000 ⇔ 010 011 ⇔ 255	Pas de fonction Stroboscope, lent à rapide
27	Rouge 4	000 ⇔ 255	0–100%
28	Vert 4	000 ⇔ 255	0–100%
29	Bleu 4	000 ⇔ 255	0–100%
30	Ambre 4	000 ⇔ 255	0–100%
31	Lime 4	000 ⇔ 255	0–100%
32	Roue de Couleurs Virtuelles 4	000 ⇔ 255	Consultez la section Gamme de Couleurs pour en connaître les valeurs spécifiques
33	Température de la Couleur 4	000 ⇔ 255	Consultez la section Gamme des Températures de Couleur pour les valeurs spécifiques
34	Stroboscope 4	000 ⇔ 010 011 ⇔ 255	Pas de fonction Stroboscope, lent à rapide
35	Rouge 5	000 ⇔ 255	0–100%
36	Vert 5	000 ⇔ 255	0–100%
37	Bleu 5	000 ⇔ 255	0–100%
38	Ambre 5	000 ⇔ 255	0–100%
39	Lime 5	000 ⇔ 255	0–100%
40	Roue de Couleurs Virtuelles 5	000 ⇔ 255	Consultez la section Gamme de Couleurs pour en connaître les valeurs spécifiques
41	Température de la Couleur 5	000 ⇔ 255	Consultez la section Gamme des Températures de Couleur pour les valeurs spécifiques

Canal	Fonction	Valeur	Pourcentage/Configuration
42	Stroboscope 5	000 ⇔ 010	Pas de fonction
		011 ⇔ 255	Stroboscope, lent à rapide
43	Rouge 6	000 ⇔ 255	0–100%
44	Vert 6	000 ⇔ 255	0–100%
45	Bleu 6	000 ⇔ 255	0–100%
46	Ambre 6	000 ⇔ 255	0–100%
47	Lime 6	000 ⇔ 255	0–100%
48	Roue de Couleurs Virtuelles 6	000 ⇔ 255	Consultez la section Gamme de Couleurs pour en connaître les valeurs spécifiques
49	Température de la Couleur 6	000 ⇔ 255	Consultez la section Gamme des Températures de Couleur pour les valeurs spécifiques
50	Stroboscope 6	000 ⇔ 010	Pas de fonction
		011 ⇔ 255	Stroboscope, lent à rapide
51	Rouge 7	000 ⇔ 255	0–100%
52	Vert 7	000 ⇔ 255	0–100%
53	Bleu 7	000 ⇔ 255	0–100%
54	Ambre 7	000 ⇔ 255	0–100%
55	Lime 7	000 ⇔ 255	0–100%
56	Roue de Couleurs Virtuelles 7	000 ⇔ 255	Consultez la section Gamme de Couleurs pour en connaître les valeurs spécifiques
57	Température de la Couleur 7	000 ⇔ 255	Consultez la section Gamme des Températures de Couleur pour les valeurs spécifiques
58	Stroboscope 7	000 ⇔ 010	Pas de fonction
		011 ⇔ 255	Stroboscope, lent à rapide
59	Stroboscope tous	000 ⇔ 010	Pas de fonction
		011 ⇔ 255	Stroboscope, lent à rapide

7 cellules RGBA EXT 52CH

Canal	Fonction	Valeur	Pourcentage/Configuration
1	Gradateur	000 ⇔ 255	0–100%
2	Gradateur Fin	000 ⇔ 255	0–100%
3	Rouge 1	000 ⇔ 255	0–100%
4	Vert 1	000 ⇔ 255	0–100%
5	Bleu 1	000 ⇔ 255	0–100%
6	Ambre 1	000 ⇔ 255	0–100%
7	Roue de Couleurs Virtuelles 1	000 ⇔ 255	Consultez la section Gamme de Couleurs pour en connaître les valeurs spécifiques
8	Température de la Couleur 1	000 ⇔ 255	Consultez la section Gamme des Températures de Couleur pour les valeurs spécifiques
9	Stroboscope 1	000 ⇔ 010	Pas de fonction
		011 ⇔ 255	Stroboscope, lent à rapide
10	Rouge 2	000 ⇔ 255	0–100%
11	Vert 2	000 ⇔ 255	0–100%
12	Bleu 2	000 ⇔ 255	0–100%
13	Ambre 2	000 ⇔ 255	0–100%
14	Roue de Couleurs Virtuelles 2	000 ⇔ 255	Consultez la section Gamme de Couleurs pour en connaître les valeurs spécifiques
15	Température de la Couleur 2	000 ⇔ 255	Consultez la section Gamme des Températures de Couleur pour les valeurs spécifiques
16	Stroboscope 2	000 ⇔ 010	Pas de fonction
		011 ⇔ 255	Stroboscope, lent à rapide
17	Rouge 3	000 ⇔ 255	0–100%
18	Vert 3	000 ⇔ 255	0–100%
19	Bleu 3	000 ⇔ 255	0–100%
20	Ambre 3	000 ⇔ 255	0–100%

Canal	Fonction	Valeur	Pourcentage/Configuration
21	Roue de Couleurs Virtuelles 3	000 ⇔ 255	Consultez la section Gamme de Couleurs pour en connaître les valeurs spécifiques
22	Température de la Couleur 3	000 ⇔ 255	Consultez la section Gamme des Températures de Couleur pour les valeurs spécifiques
23	Stroboscope 3	000 ⇔ 010 011 ⇔ 255	Pas de fonction Stroboscope, lent à rapide
24	Rouge 4	000 ⇔ 255	0–100%
25	Vert 4	000 ⇔ 255	0–100%
26	Bleu 4	000 ⇔ 255	0–100%
27	Ambre 4	000 ⇔ 255	0–100%
28	Roue de Couleurs Virtuelles 4	000 ⇔ 255	Consultez la section Gamme de Couleurs pour en connaître les valeurs spécifiques
29	Température de la Couleur 4	000 ⇔ 255	Consultez la section Gamme des Températures de Couleur pour les valeurs spécifiques
30	Stroboscope 4	000 ⇔ 010 011 ⇔ 255	Pas de fonction Stroboscope, lent à rapide
31	Rouge 5	000 ⇔ 255	0–100%
32	Vert 5	000 ⇔ 255	0–100%
33	Bleu 5	000 ⇔ 255	0–100%
34	Ambre 5	000 ⇔ 255	0–100%
35	Roue de Couleurs Virtuelles 5	000 ⇔ 255	Consultez la section Gamme de Couleurs pour en connaître les valeurs spécifiques
36	Température de la Couleur 5	000 ⇔ 255	Consultez la section Gamme des Températures de Couleur pour les valeurs spécifiques
37	Stroboscope 5	000 ⇔ 010 011 ⇔ 255	Pas de fonction Stroboscope, lent à rapide
38	Rouge 6	000 ⇔ 255	0–100%
39	Vert 6	000 ⇔ 255	0–100%
40	Bleu 6	000 ⇔ 255	0–100%
41	Ambre 6	000 ⇔ 255	0–100%
42	Roue de Couleurs Virtuelles 6	000 ⇔ 255	Consultez la section Gamme de Couleurs pour en connaître les valeurs spécifiques
43	Température de la Couleur 6	000 ⇔ 255	Consultez la section Gamme des Températures de Couleur pour les valeurs spécifiques
44	Stroboscope 6	000 ⇔ 010 011 ⇔ 255	Pas de fonction Stroboscope, lent à rapide
45	Rouge 7	000 ⇔ 255	0–100%
46	Vert 7	000 ⇔ 255	0–100%
47	Bleu 7	000 ⇔ 255	0–100%
48	Ambre 7	000 ⇔ 255	0–100%
49	Roue de Couleurs Virtuelles 7	000 ⇔ 255	Consultez la section Gamme de Couleurs pour en connaître les valeurs spécifiques
50	Température de la Couleur 7	000 ⇔ 255	Consultez la section Gamme des Températures de Couleur pour les valeurs spécifiques
51	Stroboscope 7	000 ⇔ 010 011 ⇔ 255	Pas de fonction Stroboscope, lent à rapide
52	Stroboscope tous	000 ⇔ 010 011 ⇔ 255	Pas de fonction Stroboscope, lent à rapide

7 cellules RGB EXT 45CH

Canal	Fonction	Valeur	Pourcentage/Configuration
1	Gradateur	000 ⇔ 255	0–100%
2	Gradateur Fin	000 ⇔ 255	0–100%
3	Rouge 1	000 ⇔ 255	0–100%
4	Vert 1	000 ⇔ 255	0–100%
5	Bleu 1	000 ⇔ 255	0–100%
6	Roue de Couleurs Virtuelles 1	000 ⇔ 255	Consultez la section Gamme de Couleurs pour en connaître les valeurs spécifiques
7	Température de la Couleur 1	000 ⇔ 255	Consultez la section Gamme des Températures de Couleur pour les valeurs spécifiques
8	Stroboscope 1	000 ⇔ 010 011 ⇔ 255	Pas de fonction Stroboscope, lent à rapide
9	Rouge 2	000 ⇔ 255	0–100%
10	Vert 2	000 ⇔ 255	0–100%
11	Bleu 2	000 ⇔ 255	0–100%
12	Roue de Couleurs Virtuelles 2	000 ⇔ 255	Consultez la section Gamme de Couleurs pour en connaître les valeurs spécifiques
13	Température de la Couleur 2	000 ⇔ 255	Consultez la section Gamme des Températures de Couleur pour les valeurs spécifiques
14	Stroboscope 2	000 ⇔ 010 011 ⇔ 255	Pas de fonction Stroboscope, lent à rapide
15	Rouge 3	000 ⇔ 255	0–100%
16	Vert 3	000 ⇔ 255	0–100%
17	Bleu 3	000 ⇔ 255	0–100%
18	Roue de Couleurs Virtuelles 3	000 ⇔ 255	Consultez la section Gamme de Couleurs pour en connaître les valeurs spécifiques
19	Température de la Couleur 3	000 ⇔ 255	Consultez la section Gamme des Températures de Couleur pour les valeurs spécifiques
20	Stroboscope 3	000 ⇔ 010 011 ⇔ 255	Pas de fonction Stroboscope, lent à rapide
21	Rouge 4	000 ⇔ 255	0–100%
22	Vert 4	000 ⇔ 255	0–100%
23	Bleu 4	000 ⇔ 255	0–100%
24	Roue de Couleurs Virtuelles 4	000 ⇔ 255	Consultez la section Gamme de Couleurs pour en connaître les valeurs spécifiques
25	Température de la Couleur 4	000 ⇔ 255	Consultez la section Gamme des Températures de Couleur pour les valeurs spécifiques
26	Stroboscope 4	000 ⇔ 010 011 ⇔ 255	Pas de fonction Stroboscope, lent à rapide
27	Rouge 5	000 ⇔ 255	0–100%
28	Vert 5	000 ⇔ 255	0–100%
29	Bleu 5	000 ⇔ 255	0–100%
30	Roue de Couleurs Virtuelles 5	000 ⇔ 255	Consultez la section Gamme de Couleurs pour en connaître les valeurs spécifiques
31	Température de la Couleur 5	000 ⇔ 255	Consultez la section Gamme des Températures de Couleur pour les valeurs spécifiques
32	Stroboscope 5	000 ⇔ 010 011 ⇔ 255	Pas de fonction Stroboscope, lent à rapide
33	Rouge 6	000 ⇔ 255	0–100%
34	Vert 6	000 ⇔ 255	0–100%
35	Bleu 6	000 ⇔ 255	0–100%
36	Roue de Couleurs Virtuelles 6	000 ⇔ 255	Consultez la section Gamme de Couleurs pour en connaître les valeurs spécifiques
37	Température de la Couleur 6	000 ⇔ 255	Consultez la section Gamme des Températures de Couleur pour les valeurs spécifiques
38	Stroboscope 6	000 ⇔ 010 011 ⇔ 255	Pas de fonction Stroboscope, lent à rapide

Canal	Fonction	Valeur	Pourcentage/Configuration
39	Rouge 7	000 ⇔ 255	0–100%
40	Vert 7	000 ⇔ 255	0–100%
41	Bleu 7	000 ⇔ 255	0–100%
42	Roue de Couleurs Virtuelles 7	000 ⇔ 255	Consultez la section Gamme de Couleurs pour en connaître les valeurs spécifiques
43	Température de la Couleur 7	000 ⇔ 255	Consultez la section Gamme des Températures de Couleur pour les valeurs spécifiques
44	Stroboscope 7	000 ⇔ 010 011 ⇔ 255	Pas de fonction Stroboscope, lent à rapide
45	Stroboscope tous	000 ⇔ 010 011 ⇔ 255	Pas de fonction Stroboscope, lent à rapide

7 cellules RGBAL 35CH

Canal	Fonction	Valeur	Pourcentage/Configuration
1	Rouge 1	000 ⇔ 255	0–100%
2	Vert 1	000 ⇔ 255	0–100%
3	Bleu 1	000 ⇔ 255	0–100%
4	Ambre 1	000 ⇔ 255	0–100%
5	Lime 1	000 ⇔ 255	0–100%
6	Rouge 2	000 ⇔ 255	0–100%
7	Vert 2	000 ⇔ 255	0–100%
8	Bleu 2	000 ⇔ 255	0–100%
9	Ambre 2	000 ⇔ 255	0–100%
10	Lime 2	000 ⇔ 255	0–100%
11	Rouge 3	000 ⇔ 255	0–100%
12	Vert 3	000 ⇔ 255	0–100%
13	Bleu 3	000 ⇔ 255	0–100%
14	Ambre 3	000 ⇔ 255	0–100%
15	Lime 3	000 ⇔ 255	0–100%
16	Rouge 4	000 ⇔ 255	0–100%
17	Vert 4	000 ⇔ 255	0–100%
18	Bleu 4	000 ⇔ 255	0–100%
19	Ambre 4	000 ⇔ 255	0–100%
20	Lime 4	000 ⇔ 255	0–100%
21	Rouge 5	000 ⇔ 255	0–100%
22	Vert 5	000 ⇔ 255	0–100%
23	Bleu 5	000 ⇔ 255	0–100%
24	Ambre 5	000 ⇔ 255	0–100%
25	Lime 5	000 ⇔ 255	0–100%
26	Rouge 6	000 ⇔ 255	0–100%
27	Vert 6	000 ⇔ 255	0–100%
28	Bleu 6	000 ⇔ 255	0–100%
29	Ambre 6	000 ⇔ 255	0–100%
30	Lime 6	000 ⇔ 255	0–100%
31	Rouge 7	000 ⇔ 255	0–100%
32	Vert 7	000 ⇔ 255	0–100%
33	Bleu 7	000 ⇔ 255	0–100%
34	Ambre 7	000 ⇔ 255	0–100%
35	Lime 7	000 ⇔ 255	0–100%

7 cellules RGBA 28CH

Canal	Fonction	Valeur	Pourcentage/Configuration
1	Rouge 1	000 ⇄ 255	0–100%
2	Vert 1	000 ⇄ 255	0–100%
3	Bleu 1	000 ⇄ 255	0–100%
4	Ambre 1	000 ⇄ 255	0–100%
5	Rouge	000 ⇄ 255	0–100%
6	Vert 2	000 ⇄ 255	0–100%
7	Bleu 2	000 ⇄ 255	0–100%
8	Ambre 2	000 ⇄ 255	0–100%
9	Rouge 3	000 ⇄ 255	0–100%
10	Vert 3	000 ⇄ 255	0–100%
11	Bleu 3	000 ⇄ 255	0–100%
12	Ambre 3	000 ⇄ 255	0–100%
13	Rouge 4	000 ⇄ 255	0–100%
14	Vert 4	000 ⇄ 255	0–100%
15	Bleu 4	000 ⇄ 255	0–100%
16	Ambre 4	000 ⇄ 255	0–100%
17	Rouge 5	000 ⇄ 255	0–100%
18	Vert 5	000 ⇄ 255	0–100%
19	Bleu 5	000 ⇄ 255	0–100%
20	Ambre 5	000 ⇄ 255	0–100%
21	Rouge 6	000 ⇄ 255	0–100%
22	Vert 6	000 ⇄ 255	0–100%
23	Bleu 6	000 ⇄ 255	0–100%
24	Ambre 6	000 ⇄ 255	0–100%
25	Rouge 7	000 ⇄ 255	0–100%
26	Vert 7	000 ⇄ 255	0–100%
27	Bleu 7	000 ⇄ 255	0–100%
28	Ambre 7	000 ⇄ 255	0–100%

7 cellules RGB 21CH

Canal	Fonction	Valeur	Pourcentage/Configuration
1	Rouge 1	000 ⇄ 255	0–100%
2	Vert 1	000 ⇄ 255	0–100%
3	Bleu 1	000 ⇄ 255	0–100%
4	Rouge 2	000 ⇄ 255	0–100%
5	Vert 2	000 ⇄ 255	0–100%
6	Bleu 2	000 ⇄ 255	0–100%
7	Rouge 3	000 ⇄ 255	0–100%
8	Vert 3	000 ⇄ 255	0–100%
9	Bleu 3	000 ⇄ 255	0–100%
10	Rouge 4	000 ⇄ 255	0–100%
11	Vert 4	000 ⇄ 255	0–100%
12	Bleu 4	000 ⇄ 255	0–100%
13	Rouge 5	000 ⇄ 255	0–100%
14	Vert 5	000 ⇄ 255	0–100%
15	Bleu 5	000 ⇄ 255	0–100%
16	Rouge 6	000 ⇄ 255	0–100%
17	Vert 6	000 ⇄ 255	0–100%
18	Bleu 6	000 ⇄ 255	0–100%
19	Rouge 7	000 ⇄ 255	0–100%
20	Vert 7	000 ⇄ 255	0–100%
21	Bleu 7	000 ⇄ 255	0–100%

7 cellules HSV 21CH

Canal	Fonction	Valeur	Pourcentage/Configuration
1	Teintes 1	000 ⇔ 255	0–100%
2	Saturation 1	000 ⇔ 255	0–100%
3	Valeur 1	000 ⇔ 255	0–100%
4	Teintes 2	000 ⇔ 255	0–100%
5	Saturation 2	000 ⇔ 255	0–100%
6	Valeur 2	000 ⇔ 255	0–100%
7	Teintes 3	000 ⇔ 255	0–100%
8	Saturation 3	000 ⇔ 255	0–100%
9	Valeur 3	000 ⇔ 255	0–100%
10	Teintes 4	000 ⇔ 255	0–100%
11	Saturation 4	000 ⇔ 255	0–100%
12	Valeur 4	000 ⇔ 255	0–100%
13	Teintes 5	000 ⇔ 255	0–100%
14	Saturation 5	000 ⇔ 255	0–100%
15	Valeur 5	000 ⇔ 255	0–100%
16	Teintes 6	000 ⇔ 255	0–100%
17	Saturation 6	000 ⇔ 255	0–100%
18	Valeur 6	000 ⇔ 255	0–100%
19	Teintes 7	000 ⇔ 255	0–100%
20	Saturation 7	000 ⇔ 255	0–100%
21	Valeur 7	000 ⇔ 255	0–100%

Personnalité à 1 cellule

1 cellule RGBAL FULL 17CH

Canal	Fonction	Valeur	Pourcentage/Configuration
1	Gradateur	000 ⇔ 255	0–100%
2	Gradateur Fin	000 ⇔ 255	0–100%
3	Rouge	000 ⇔ 255	0–100%
4	Rouge Fin	000 ⇔ 255	0–100%
5	Vert	000 ⇔ 255	0–100%
6	Vert Fin	000 ⇔ 255	0–100%
7	Bleu	000 ⇔ 255	0–100%
8	Bleu Fin	000 ⇔ 255	0–100%
9	Ambre	000 ⇔ 255	0–100%
10	Ambre Fin	000 ⇔ 255	0–100%
11	Lime	000 ⇔ 255	0–100%
12	Lime Fin	000 ⇔ 255	0–100%
13	Roue de Couleurs Virtuelles	000 ⇔ 255	Consultez la section Gamme de Couleurs pour en connaître les valeurs spécifiques
14	Température de la Couleur	000 ⇔ 255	Consultez la section Gamme des Températures de Couleur pour les valeurs spécifiques
15	Stroboscope	000 ⇔ 010 011 ⇔ 255	Pas de fonction Stroboscope, lent à rapide
16	Macros de couleur	000 ⇔ 015 016 ⇔ 255	Pas de fonction Macros de couleur
17	Vitesse du Gradateur	000 ⇔ 051 052 ⇔ 101 102 ⇔ 152 153 ⇔ 203 204 ⇔ 255	Vitesse du gradateur prédéfinie depuis le menu Gradateur linéaire Courbe de gradation non linéaire 1 (le plus rapide) Courbe de gradation non linéaire 2 Courbe de gradation non linéaire 3 (le moins rapide)

1 cellule RGBAL Fine 10CH

Canal	Fonction	Valeur	Pourcentage/Configuration
1	Rouge	000 ⇔ 255	0–100%
2	Rouge Fin	000 ⇔ 255	0–100%
3	Vert	000 ⇔ 255	0–100%
4	Vert Fin	000 ⇔ 255	0–100%
5	Bleu	000 ⇔ 255	0–100%
6	Bleu Fin	000 ⇔ 255	0–100%
7	Ambre	000 ⇔ 255	0–100%
8	Ambre Fin	000 ⇔ 255	0–100%
9	Lime	000 ⇔ 255	0–100%
10	Lime Fin	000 ⇔ 255	0–100%

1 cellule RGBAL EXT 10CH

Canal	Fonction	Valeur	Pourcentage/Configuration
1	Gradateur	000 ⇔ 255	0–100%
2	Gradateur Fin	000 ⇔ 255	0–100%
3	Rouge	000 ⇔ 255	0–100%
4	Vert	000 ⇔ 255	0–100%
5	Bleu	000 ⇔ 255	0–100%
6	Ambre	000 ⇔ 255	0–100%
7	Lime	000 ⇔ 255	0–100%
8	Roue de Couleurs Virtuelles	000 ⇔ 255	Consultez la section Gamme de Couleurs pour en connaître les valeurs spécifiques
9	Température de la Couleur	000 ⇔ 255	Consultez la section Gamme des Températures de Couleur pour les valeurs spécifiques
10	Stroboscope	000 ⇔ 010 011 ⇔ 255	Pas de fonction Stroboscope, lent à rapide

1 cellule RGBA EXT 9CH

Canal	Fonction	Valeur	Pourcentage/Configuration
1	Gradateur	000 ⇔ 255	0–100%
2	Gradateur Fin	000 ⇔ 255	0–100%
3	Rouge	000 ⇔ 255	0–100%
4	Vert	000 ⇔ 255	0–100%
5	Bleu	000 ⇔ 255	0–100%
6	Ambre	000 ⇔ 255	0–100%
7	Roue de Couleurs Virtuelles	000 ⇔ 255	Consultez la section Gamme de Couleurs pour en connaître les valeurs spécifiques
8	Température de la Couleur	000 ⇔ 255	Consultez la section Gamme des Températures de Couleur pour les valeurs spécifiques
9	Stroboscope	000 ⇔ 010 011 ⇔ 255	Pas de fonction Stroboscope, lent à rapide

1 cellule RGB EXT 8CH

Canal	Fonction	Valeur	Pourcentage/Configuration
1	Gradateur	000 ⇔ 255	0–100%
2	Gradateur Fin	000 ⇔ 255	0–100%
3	Rouge	000 ⇔ 255	0–100%
4	Vert	000 ⇔ 255	0–100%
5	Bleu	000 ⇔ 255	0–100%
6	Roue de Couleurs Virtuelles	000 ⇔ 255	Consultez la section Gamme de Couleurs pour en connaître les valeurs spécifiques
7	Température de la Couleur	000 ⇔ 255	Consultez la section Gamme des Températures de Couleur pour les valeurs spécifiques
8	Stroboscope	000 ⇔ 010 011 ⇔ 255	Pas de fonction Stroboscope, lent à rapide

1 cellule RGBAL 5CH

Canal	Fonction	Valeur	Pourcentage/Configuration
1	Rouge	000 ⇔ 255	0–100%
2	Vert	000 ⇔ 255	0–100%
3	Bleu	000 ⇔ 255	0–100%
4	Ambre	000 ⇔ 255	0–100%
5	Lime	000 ⇔ 255	0–100%

1 cellule RGBA 4CH

Canal	Fonction	Valeur	Pourcentage/Configuration
1	Rouge	000 ⇔ 255	0–100%
2	Vert	000 ⇔ 255	0–100%
3	Bleu	000 ⇔ 255	0–100%
4	Ambre	000 ⇔ 255	0–100%

1 cellule RGB 3CH

Canal	Fonction	Valeur	Pourcentage/Configuration
1	Rouge	000 ⇔ 255	0–100%
2	Vert	000 ⇔ 255	0–100%
3	Bleu	000 ⇔ 255	0–100%

1 cellule DMX-VCW-CCT 3CH

Canal	Fonction	Valeur	Pourcentage/Configuration
1	Gradateur	000 ⇔ 255	0–100%
2	Roue de Couleurs Virtuelles	000 ⇔ 255	Consultez la section Gamme de Couleurs pour en connaître les valeurs spécifiques
3	Température de la Couleur	000 ⇔ 255	Consultez la section Gamme des Températures de Couleur pour les valeurs spécifiques

1-cellule HSV 3CH

Canal	Fonction	Valeur	Pourcentage/Configuration
1	Teintes	000 ⇔ 255	0–100%
2	Saturation	000 ⇔ 255	0–100%
3	Valeur	000 ⇔ 255	0–100%

Over deze handleiding

De Ovation B-1965FC Beknopte Handleiding (BH) bevat basisinformatie over het product, zoals aansluiting, montage, menu-opties en DMX-waarden. Download de gebruikershandleiding op www.chauvetprofessional.com voor meer informatie.

Disclaimer

De informatie en specificaties in deze BH kunnen zonder voorafgaande kennisgeving worden gewijzigd.

BEPERKTE GARANTIE

GA NAAR ONZE WEBSITE VOOR REGISTRATIE VAN DE GARANTIE EN DE VOLLEDIGE ALGEMENE VOORWAARDEN.

Voor klanten in de Verenigde Staten en Mexico: www.chauvetlighting.com/warranty-registration

Voor klanten in het Verenigd Koninkrijk, Ierland, België, Nederland, Luxemburg, Frankrijk en Duitsland: www.chauvetlighting.eu/warranty-registration/

Chauvet garandeert dat dit product bij normaal gebruik vrij zal blijven van defecten in materiaal en vakmanschap, voor de opgegeven periode en onder voorbehoud van de uitzonderingen en beperkingen die zijn uiteengezet in de volledige beperkte garantie op onze website. Deze garantie geldt uitsluitend voor de oorspronkelijke koper van het product en is niet overdraagbaar. Om onder deze garantie rechten uit te oefenen, moet u een aankoopbewijs overleggen in de vorm van een origineel verkoopbewijs van een geautoriseerde dealer, waarop de naam van het product en de aankoopdatum zichtbaar zijn. ER ZIJN GEEN ANDERE EXPLICIETE OF IMPLICIETE GARANTIES. Deze garantie geeft u specifieke wettelijke rechten. Mogelijk heeft u ook andere rechten die van staat tot staat en van land tot land verschillen. Deze garantie is uitsluitend geldig in de Verenigde Staten, het Verenigd Koninkrijk, Ierland, België, Nederland, Luxemburg, Frankrijk, Duitsland en Mexico. Neem contact op met uw lokale verkoper voor garantievoorwaarden in andere landen.

Veiligheidsinstructies

Deze veiligheidsinstructies bevatten belangrijke informatie over de installatie, het gebruik en het onderhoud.

- Open het product NIET. Het bevat geen te onderhouden onderdelen.
- KIJK NIET in de lichtbron wanneer het apparaat is ingeschakeld.
- Om onnodige slijtage te elimineren en zijn levensduur te verlengen, gedurende perioden wanneer het product niet wordt gebruikt, moet u het product van de stroom afsluiten door een aardlekschakelaar om te zetten of door het te ontkoppelen.
- LET OP: Bij het verplaatsen van het product uit extreme omgevingen, (bijv. koude vrachtwagen naar warme, vochtige balzaal) kan er condensvorming optreden op de elektronica van het product. Om storingen te vermijden moet het product volledig kunnen acclimatiseren aan de omgeving voordat het op stroom wordt aangesloten.
- LET OP: De behuizing van dit product kan heet zijn wanneer het in bedrijf is.
- Monteer dit product op een plek met voldoende ventilatie, ten minste 50 cm van de aangrenzende oppervlakken.
- Plaats geen ontvlambaar materiaal binnen 50 cm van dit product als het in gebruik is of is aangesloten op het stopcontact.
- GEBRUIK een veiligheidskabel bij het boven het hoofd plaatsen van dit product.
- Gebruik dit product NIET buitenshuis of op een locatie waar stof, grote warmte, water of vochtigheid het kunnen beïnvloeden.
- Gebruik dit product NIET als de behuizing, lenzen of kabels beschadigd lijken.
- Sluit dit product NIET aan op een dimmer of een regelweerstand.
- Sluit dit product UITSLUITEND op een geaard en beveiligd stroomcircuit.
- Gebruik UITSLUITEND de ophang-/montagebeugels of de hendels om dit product te dragen.
- Stop in het geval van ernstige operationele problemen onmiddellijk met het gebruik.
- De maximale omgevingstemperatuur bedraagt 45 °C. Gebruik dit product niet bij hogere temperaturen.

FCC-naleving

Dit apparaat voldoet aan Part 15 Part B van de FCC-regels. Het gebruik is onderworpen aan de volgende twee voorwaarden:

1. Dit apparaat mag geen schadelijke interferentie veroorzaken, en
2. Dit apparaat moet enige ontvangen interferentie accepteren, inclusief interferentie die een ongewenste werking kan veroorzaken.

Eventuele wijzigingen of aanpassingen die niet uitdrukkelijk door de voor naleving verantwoordelijke partij zijn goedgekeurd, kan de bevoegdheid van de gebruiker om de apparatuur te bedienen ongeldig verklaren.

Contact

Van buiten de VS, Verenigd Koninkrijk, Ierland, Mexico, Frankrijk, Duitsland of Benelux kunt u contact opnemen met de distributeur of om ondersteuning vragen dan wel het product retourneren. Ga naar [Contact Us](#) voor contactinformatie.

Wat is inbegrepen

- Ovation B-1965FC
- Neutrik® powerCON® stroomsnoer
- Muur wassen-filter
- Beknopte handleiding

AC-stroom

Dit product heeft een voeding met automatisch bereik die werkt met een ingangsspanning van 100–240 VAC, 50/60 Hz.

Power Linking

U kunt tot 3 Ovation B-1965FC-producten koppelen bij 120 V, 6 producten bij 208 V of 7 producten bij 230 V. Dit aantal niet overschrijden. Power Linking-snoeren kunnen apart aangeschaft worden.

AC-stekker

Aansluiting	Snoer (VS)	Snoer (Europa)	Schroefkleur
AC Live	Zwart	Bruin	Geel/messing
AC Neutraal	Wit	Blauw	Zilver
AC Aarde	Groen/geel	Groen/geel	Groen



Om onnodige slijtage te elimineren en zijn levensduur te verlengen, gedurende perioden wanneer het product niet wordt gebruikt, moet u het product van de stroom afsluiten door een aardlekschakelaar om te zetten of door het te ontkoppelen.

De zekering vervangen

1. Ontkoppel dit product van de stroom.
2. Gebruik een kruiskopschroevendraaier nr. 2 en schroef de kap van de zekeringhouder los van de behuizing.
3. Verwijder de doorgebrande zekering en vervang het met een werkende zekering van hetzelfde type en met dezelfde waarde.
4. Schroef de kap van de zekeringhouder terug en steek de stekker er weer in.

Signaal-verbindingen

U kunt de Ovation B-1965FC aansluiten op een controller of controllersoftware met behulp van een DMX-aansluiting of een ethernetverbinding. Bij het gebruik van andere Art-Net™ of sACN-compatible producten met de Ovation B-1965FC, kunt u deze individueel aansturen op een enkel netwerk. Zie de gebruikershandleiding voor meer informatie over het verbinden en configureren van het product voor deze signalen.

Aansturings-persoonlijkheden

De Ovation B-1965FC gebruikt DMX, Art-Net™, en sACN voor haar 17 bedieningspersoonlijkheden in een bereik van 3CH tot 96CH in 1-cel modi en 7-cel modi:

Modus	1-cel	7-cel
DMX-VCW-CCT	3	N/A
HSV	3	21
RGB	3	21
RGBA	4	28
RGBAL	5	35
RGB EXT	8	45
RGBA EXT	9	52
RGBAL EXT	10	59
RGBAL Fine	10	70
RGBAL FULL	17	96

DMX-aansluiting

De Ovation B-1965FC kan met een DMX-controller werken met een normale DMX seriële verbinding. Op www.chauvetprofessional.com is een DMX-basishandleiding verkrijgbaar.

Art-Net™-aansluiting

Art-Net™ is een ethernet-protocol dat gebruikmaakt van TCP/IP dat over een groot netwerk grote hoeveelheden DMX512-gegevens verzendt met behulp van een etherCON RJ45-verbinding. Een Art-Net™-protocoldocument is te verkrijgen op www.chauvetprofessional.com. Chauvet Professional raadt het gebruik van unicast-modus voor het beste resultaat.

Art-Net™ ontworpen en auteursrecht door Artistic Licence Holdings Ltd.

sACN-aansluiting

Streaming-ACN staat ook wel bekend als ANSI E1.31 en is een ethernetprotocol dat de laag- en opmaakstructuur gebruikt van Architecture for Control Networks om DMX512-gegevens te transporteren over IP of een ander ACN compatibel netwerk. ACN wordt onderhouden door de Professional Lighting and Sound Association (PLASA).

Master/slave-verbinding

maakt gebruik van de DMX-dataverbinding voor haar Master-/Slave-modus. Zie de gebruikershandleiding om te verbinden en te configureren voor Master/Slave-werking.

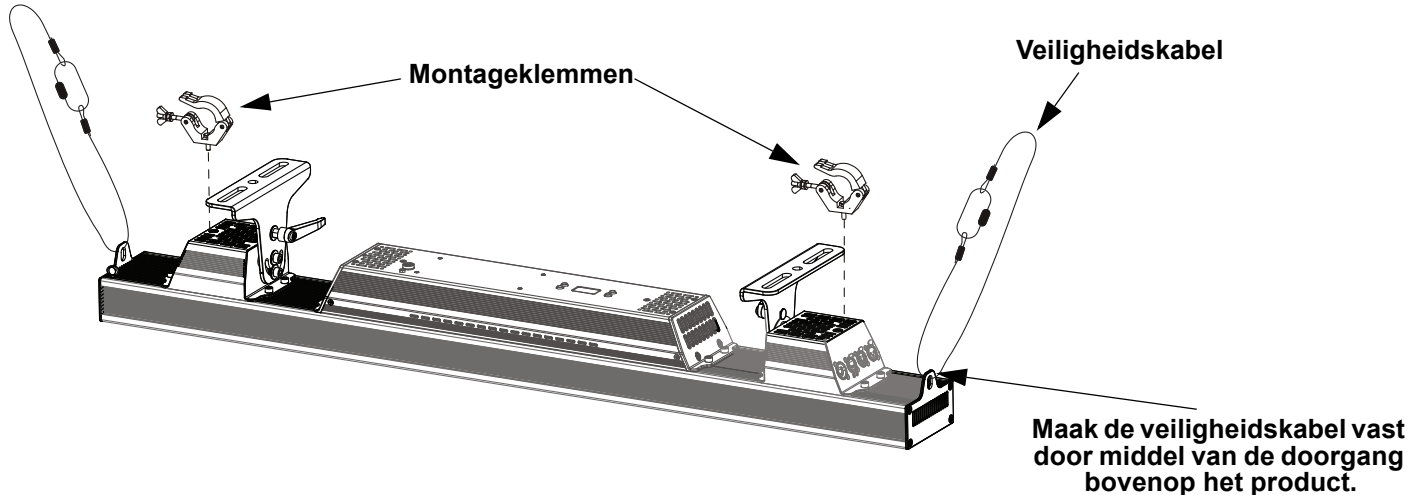
RDM (apparaatbeheer op afstand)

Remote Device Management of RDM (apparaatbeheer op afstand) is een standaard die het voor DMX-apparaten mogelijk maakt om in twee richtingen te communiceren over bestaande DMX-kabels. De Ovation B-1965FC ondersteunt het RDM-protocol dat zorgt feedback toelaat bij de bewaking van Temperatuur en wijzigingen aan de menu opties van **DMX Address** en **DMX Channel**. Download de gebruikershandleiding op www.chauvetprofessional.com voor meer informatie.

Montage

Lees alvorens dit product te monteren alle [BEPERKTE GARANTIE](http://trusst.com/products). Gebruik ten minste twee montagepunten per product. Controleer of de montageklem het gewicht van het product kan dragen. Ga voor onze Chauvet-serie montageklemmen naar <http://trusst.com/products>.

Montagediagram van het product



Web-server

De Ovation B-1965FC-web-server is toegankelijk voor elke computer op hetzelfde netwerk als het product. Het biedt voor het netwerk de mogelijkheid om toegang te hebben tot de systeeminformatie, instellingen zoals bedieningsprotocol en startadres, testen kleur uitgang en de mogelijkheid om het web-server-wachtwoord te wijzigen.

Toegang tot de webserver:

1. Stel het IP-adres van het netwerk in om dezelfde eerste digit als IP-adres van het product te hebben.
2. Voer het IP-adres van het product in de URL-balk van een webbrowsersapplicatie in.
3. Voer zowel de gebruikersnaam als wachtwoord als **admin** in om in te loggen.

Virtueel kleurenwiel

De Ovation B-1965FC bevat een functie, genaamd het virtuele kleurenwiel (Virtual Color Wheel, VCW). Deze functie is beschikbaar als een losstaande bedieningsmodus voor handmatig gebruik en ook als een bedieningskanaal in de geselecteerde DMX-persoonlijkheden van de producten. Voor eenvoudiger programmering zijn er meer dan 30 voorgemengde kleuren beschikbaar die speciaal door onze technici zijn samengesteld.

De DMX-waarden die worden gebruikt voor het mengen van deze kleuren staan hieronder vermeld. U kunt de algehele intensiteit van het Ovation-armatuur aanpassen om de kleuren waarmee u bekend bent beter na te bootsen. Op onze website www.chauvetprofessional.com is een tabel beschikbaar om onze voorgemengde kleuren te vergelijken met populaire gelkleuren. Deze grafiek is uitsluitend bedoeld voor vergelijkingsdoeleinden en vormt geen garantie dat onze voorgemengde kleuren overeenkomen met de vermelde gelkleuren.

Kleurenkaart

DMX-kanaalwaarde	Weergave op het display	Rode waarde	Groene waarde	Blaauwe waarde	Gele waarde	Lime waarde
000 ⇔ 005	--	000	000	000	000	000
006 ⇔ 013	C3050 - Md Yellow	150	125	002	255	043
014 ⇔ 021	C3040 - Lt Yellow	235	108	005	255	076
022 ⇔ 028	C3240 - Amb Yellow	171	036	000	120	255
029 ⇔ 035	C2340 - VLt Amber	255	015	017	255	170
036 ⇔ 043	C2040 - Lt Amber	255	000	010	255	143
044 ⇔ 051	C2050 - Md Amber	255	000	003	255	075
052 ⇔ 059	C2060 - Dk Amber	188	000	002	255	044
060 ⇔ 067	C1050 - Lt Red	255	000	002	021	002
068 ⇔ 075	C1080 - Md Red	255	000	002	000	000
076 ⇔ 083	C1020 - NC Pink	255	130	025	255	027
084 ⇔ 091	C1030 - Md Pink	255	013	041	235	182
092 ⇔ 099	C1630 - Dk Pink	255	015	027	030	255
100 ⇔ 107	C1250 - Md Red Amber	255	000	004	115	009
108 ⇔ 115	C1060 - Dk Red Amber	255	000	004	011	008
116 ⇔ 121	C1650 - Magenta	255	000	022	081	039
122 ⇔ 130	C6170 - Dk Magenta	160	000	025	000	004
131 ⇔ 138	C6020 - Lt Lavender	255	162	043	255	140
139 ⇔ 146	C5030 - Lt Blue	012	255	070	076	115
147 ⇔ 154	C5020 - VLt Blue	030	187	085	215	255
155 ⇔ 162	C5430 - Lt Blue 2	004	255	062	093	049
163 ⇔ 170	C5070 - Blue	005	255	190	003	012
171 ⇔ 178	C5050 - Md Blue	008	250	145	005	088
179 ⇔ 186	C5060 - Dk Blue	005	209	255	015	074
187 ⇔ 194	C5690 - Indigo	005	000	200	013	003
195 ⇔ 202	C5080 - Vdk Blue	007	112	255	005	007
203 ⇔ 210	C5081 - Vdk Blue 2	004	108	255	003	004
211 ⇔ 218	C4370 - Yel Green	004	255	000	005	003
219 ⇔ 226	C4070 - Green	027	255	006	000	020
227 ⇔ 234	C4550 - Turquoise	007	255	021	070	076
235 ⇔ 242	C4560 - Aqua	007	255	031	085	115
243 ⇔ 250	C4570 - Blue Green	002	255	017	002	020
251 ⇔ 255	--	000	000	000	000	000



Let op: De kleuren hierboven zijn gesimuleerde waargaven van de kleurentuitvoer die zijn geproduceerd, in vergelijking met de andere gelijksoortige lichtproducten. Chauvet geeft geen garantie over de nauwkeurigheid van de kleuropbrengst.

Kleurtemperatuur-kaart

DMX-kanaalwaarde	Weergave op het display	Rode waarde	Groene waarde	Blaauwe waarde	Gele waarde	Lime waarde
000 ⇔ 005	--	000	000	000	000	000
006 ⇔ 025	2800K	237	120	036	255	255
026 ⇔ 050	3000K	220	128	050	255	255
051 ⇔ 075	3200K	176	128	057	255	255
076 ⇔ 100	3500K	154	128	080	255	255
101 ⇔ 125	4000K	128	128	112	255	255
126 ⇔ 150	4500K	108	128	133	255	255
151 ⇔ 175	5000K	097	128	152	255	255
176 ⇔ 200	5600K	087	128	170	255	255
201 ⇔ 225	6000K	075	128	177	255	255
226 ⇔ 250	6500K	066	128	187	255	255
251 ⇔ 255	--	000	000	000	000	000



Let op: De bovenstaande kleurtemperaturen zijn gesimuleerde weergaven van de geproduceerde kleuropbrengst, in vergelijking met een wolfram-lamp bij de opgegeven kleurtemperatuur. Chauvet geeft geen garantie over de nauwkeurigheid van de kleuropbrengst.

Beschrijving bedieningspaneel

Toets	Functie
<MENU>	Sluit het huidige menu of functie af
<ENTER>	Activeert het huidige getoonde menu of plaatst de huidige geselecteerde waarde in de geselecteerde functie
<UP>	Navigeert omhoog via het menu of verhoogt de numerieke waarde wanneer in een functie
<DOWN>	Navigeert omlaag via het menu of verlaagt de numerieke waarde wanneer in een functie

Menumap

Hoofdniveau	Programmeerniveaus	Beschrijving	
Protocol	DMX512	Stelt de control protocol	
	ArtNet		
	sACN		
Start Address	001–510*	Selecteert het start-adres (hoogste kanaal beperkt tot de gekozen persoonlijkheid)	
Personality	1-Cell	DMX-VCW-CCT 3CH	3-kanaals: dimmer, virtueel kleurrad, kleurtemperatuur
		HSV	3-kanaals: HSV-regeling
		RGB 3CH	3-kanaals: RGB
		RGBA 4CH	4-kanaals: RGBA
		RGBAL 5CH	5-kanaals: RGBAL
		RGB EXT 8CH	8-kanaals: 16-bits dimmer, RGB, virtueel kleurrad, kleurtemperatuur, strobo
		RGBA EXT 9CH	9-kanaals: 16-bits dimmer, RGBA, virtueel kleurrad, kleurtemperatuur, strobo
		RGBAL EXT 10CH	10-kanaals: 16-bits dimmer, RGBAL, virtueel kleurrad, kleurtemperatuur, strobo
		RGBAL Fine 10CH	10-kanaals: 16-bit RGBAL
	RGBAL FULL 17CH	17-kanaals: 16-bits dimmer, 16-bits RGBAL, virtueel kleurrad, kleurtemperatuur, strobo, kleur macro's, dimmer-modus	
	7-Cell	RGB 21CH	21-kanaals: RGB (per cel)
		HSV 21CH	21-kanaals: HSV (per cel)
		RGBA 28CH	28-kanaals: RGBA (per cel)
		RGBAL 35CH	35-kanaals: RGBAL (per cel)
		RGB EXT 45CH	45-kanaals: 16-bits dimmer, RGB (per cel), virtueel kleurrad (per cel), kleurtemperatuur (per cel), strobo (per cel)
		RGBA EXT 52CH	52-kanaals: 16-bits dimmer, RGBA (per cel), virtueel kleurrad (per cel), kleurtemperatuur (per cel), strobo (per cel)
		RGBAL EXT 59CH	59-kanaals: 16-bits dimmer, RGBAL (per cel), virtueel kleurrad (per cel), kleurtemperatuur (per cel), strobo (per cel)
		RGBAL Fine 70CH	70-kanaals: 16-bits RGBAL (per cel)
		RGBAL FULL 96CH	96-kanaals: 16-bits dimmer, 16-bits RGBAL (per cel), virtueel kleurrad (per cel), kleurtemperatuur (per cel), strobo (per cel), kleur macro's (per cel), dimmer-modus (per cel)

Hoofdniveau	Programmeerniveaus		Beschrijving		
Virtual Color Wheel	Virtual Color Wheel	C3050 - Md Yellow	Dimmer	<000–255>	Het virtuele kleurenwiel simuleert de opbrengst van elke gelkleur van . Raadpleeg de sectie Kleurenkaart voor specifieke waarden
		C3040 - Lt Yellow			
		C3240 - Amb Yellow			
C2340 - VLt Amber					
C2040 - Lt Amber					
C2050 - Md Amber					
C2060 - Dk Amber					
C1050 - Lt Red					
C1080 - Md Red					
C1020 - NC Pink					
C1030 - Md Pink					
C1630 - Dk Pink					
C1250 - Md Red Amber					
C1060 - Dk Red Amber					
C1650 - Magenta					
C6170 - Dk Magenta					
C6020 - Lt Lavender					
C5030 - Lt Blue					
C5020 - VLt Blue					
C5430 - Lt Blue 2					
C5070 - Blue					
C5050 - Md Blue					
C5060 - Dk Blue					
C5690 - Indigo					
C5080 - Vdk Blue					
C5081 - Vdk Blue 2					
C4370 - Yel Green					
C4070 - Green					
C4550 - Turquoise					
C4560 - Aqua					
C4570 - Blue Green					
Color Temperature	Color Temperature	2800K	Dimmer	<000–255>	Voorinstelde witte kleurtemperaturen. Emuleert een wolfram-lamp bij de opgegeven kleurtemperatuur. Raadpleeg de sectie Kleurtemperatuur-kaart voor specifieke waarden
		3000K			
		3200K			
		3500K			
		4000K			
		4500K			
		5000K			
		5600K			
		6000K			
		6500K			
Manual Color Mixer	Manual Color Mixer	Red		<0–255>	Combineert rood, groen, blauw, amber en lime om een aangepaste kleur te genereren (0–100%)
		Green			
		Blue			
		Amber			
Auto Show	Auto Show	Auto 1	Speed 1–100		Selecteert automatische programma's en automatische programmasnelheid
		Auto 2			
		Auto 3			
		Auto 4			
		Auto 5			
		Auto 6			
		Auto 7			
		Auto 8			
		Auto 9			
		Fade			

Hoofdniveau	Programmeerniveaus		Beschrijving	
Master/Slave	Master		Master-modus	
	Slave		Slave-modus	
Dimmer Mode	Off		Lineaire dimmer	
	Dimmer 1		Snelle dimmer-kromme	
	Dimmer 2		Gemiddelde dimmer-kromme	
	Dimmer 3		Langzame dimmer-kromme	
White Balance	Off		Gebruikt standaard witte instelling	
	Manual	Red	125–255	Stelt de maximum waarde van de rode LED in
		Green		Stelt de maximum waarde van de groene LED in
		Blue		Stelt de maximum waarde van de blauwe LED in
		Amber		Stelt de maximum waarde van de amber LED in
Lime		Stelt de maximum waarde van de lime LED in		
LED Frequency	600Hz		Selecteert de PWM-uitgangsfrequentie	
	1200Hz			
	2000Hz			
	4000Hz			
	6000Hz			
	25KHz			
Fan Mode	Auto		Ingesteld de ventilator automatische modus	
	On		Ingesteld de ventilator altijd aan modus	
	Off		Ingesteld de ventilator altijd uit modus	
	Silent		Ingesteld de ventilator stil	
Display	Normal		Normale display-oriëntatie	
	Inverted		Omgekeerde display	
Back Light	10S		Schakelt de backlight van de display uit na 10s van inactiviteit	
	30S		Schakelt de backlight van de display uit na 30s van inactiviteit	
	2Min		Schakelt de backlight van de display uit na 2 minuten van inactiviteit	
	On		De backlight van de display is altijd aan	
Ethernet Setting	Universe	1 (DMX)	Stelt domein in voor Art-Net™ of sACN	
		0–255 (Art-Net™)		
		1–256 (sACN)		
IP Address	-----	Stelt een IP-adres in		
Information	Fixture Hours	-----	Toont het totale aantal producturen	
	Version	V__-V__	Toont de geïnstalleerde softwareversie	
	Device ID	-----	Toont het apparaat-ID van het product	
	UID:	-----	Geeft de huidige UID #	
Factory Setting	No		Herstellen naar de fabrieksstandaard	
	Yes			

DMX-waarden

7-cel persoonlijkheden

7-cel RGBAL FULL 96CH

Kanaal	Functie	Waarde	Percentage/Instelling
1	Dimmer	000 ⇔ 255	0–100%
2	Fijne dimmer	000 ⇔ 255	0–100%
3	Rood 1	000 ⇔ 255	0–100%
4	Fijn rood 1	000 ⇔ 255	0–100%
5	Groen 1	000 ⇔ 255	0–100%
6	Fijn groen 1	000 ⇔ 255	0–100%
7	Blauw 1	000 ⇔ 255	0–100%
8	Fijn blauw 1	000 ⇔ 255	0–100%
9	Amber 1	000 ⇔ 255	0–100%
10	Fijn amber 1	000 ⇔ 255	0–100%
11	Lime 1	000 ⇔ 255	0–100%
12	Fijn lime 1	000 ⇔ 255	0–100%
13	Virtueel kleurenwiel 1	000 ⇔ 255	Raadpleeg de sectie Kleurenkaart voor specifieke waarden
14	Kleurtemperatuur 1	000 ⇔ 255	Raadpleeg de sectie Kleurtemperatuur-kaart voor specifieke waarden
15	Stroboscoop 1	000 ⇔ 010 011 ⇔ 255	Geen functie Stroboscoop, langzaam bis snel
16	Rood 2	000 ⇔ 255	0–100%
17	Fijn rood 2	000 ⇔ 255	0–100%
18	Groen 2	000 ⇔ 255	0–100%
19	Fijn groen 2	000 ⇔ 255	0–100%
20	Blauw 2	000 ⇔ 255	0–100%
21	Fijn blauw 2	000 ⇔ 255	0–100%
22	Amber 2	000 ⇔ 255	0–100%
23	Fijn amber 2	000 ⇔ 255	0–100%
24	Lime 2	000 ⇔ 255	0–100%
25	Fijn lime 2	000 ⇔ 255	0–100%
26	Virtueel kleurenwiel 2	000 ⇔ 255	Raadpleeg de sectie Kleurenkaart voor specifieke waarden
27	Kleurtemperatuur 2	000 ⇔ 255	Raadpleeg de sectie Kleurtemperatuur-kaart voor specifieke waarden
28	Stroboscoop 2	000 ⇔ 010 011 ⇔ 255	Geen functie Stroboscoop, langzaam bis snel
29	Rood 3	000 ⇔ 255	0–100%
30	Fijn rood 3	000 ⇔ 255	0–100%
31	Groen 3	000 ⇔ 255	0–100%
32	Fijn groen 3	000 ⇔ 255	0–100%
33	Blauw 3	000 ⇔ 255	0–100%
34	Fijn blauw 3	000 ⇔ 255	0–100%
35	Amber 3	000 ⇔ 255	0–100%
36	Fijn amber 3	000 ⇔ 255	0–100%
37	Lime 3	000 ⇔ 255	0–100%
38	Fijn lime 3	000 ⇔ 255	0–100%
39	Virtueel kleurenwiel 3	000 ⇔ 255	Raadpleeg de sectie Kleurenkaart voor specifieke waarden
40	Kleurtemperatuur 3	000 ⇔ 255	Raadpleeg de sectie Kleurtemperatuur-kaart voor specifieke waarden
41	Stroboscoop 3	000 ⇔ 010 011 ⇔ 255	Geen functie Stroboscoop, langzaam bis snel
42	Rood 4	000 ⇔ 255	0–100%
43	Fijn rood 4	000 ⇔ 255	0–100%
44	Groen 4	000 ⇔ 255	0–100%
45	Fijn groen 4	000 ⇔ 255	0–100%
46	Blauw 4	000 ⇔ 255	0–100%
47	Fijn blauw 4	000 ⇔ 255	0–100%
48	Amber 4	000 ⇔ 255	0–100%
49	Fijn amber 4	000 ⇔ 255	0–100%
50	Lime 4	000 ⇔ 255	0–100%

Kanaal	Functie	Waarde	Percentage/Instelling
51	Fijn lime 4	000 ⇔ 255	0–100%
52	Virtueel kleurenwiel 4	000 ⇔ 255	Raadpleeg de sectie Kleurenkaart voor specifieke waarden
53	Kleurtemperatuur 4	000 ⇔ 255	Raadpleeg de sectie Kleurtemperatuur-kaart voor specifieke waarden
54	Stroboscoop 4	000 ⇔ 010	Geen functie
		011 ⇔ 255	Stroboscoop, langzaam bis snel
55	Rood 5	000 ⇔ 255	0–100%
56	Fijn rood 5	000 ⇔ 255	0–100%
57	Groen 5	000 ⇔ 255	0–100%
58	Fijn groen 5	000 ⇔ 255	0–100%
59	Blauw 5	000 ⇔ 255	0–100%
60	Fijn blauw 5	000 ⇔ 255	0–100%
61	Amber 5	000 ⇔ 255	0–100%
62	Fijn amber 5	000 ⇔ 255	0–100%
63	Lime 5	000 ⇔ 255	0–100%
64	Fijn lime 5	000 ⇔ 255	0–100%
65	Virtueel kleurenwiel 5	000 ⇔ 255	Raadpleeg de sectie Kleurenkaart voor specifieke waarden
66	Kleurtemperatuur 5	000 ⇔ 255	Raadpleeg de sectie Kleurtemperatuur-kaart voor specifieke waarden
67	Stroboscoop 5	000 ⇔ 010	Geen functie
		011 ⇔ 255	Stroboscoop, langzaam bis snel
68	Rood 6	000 ⇔ 255	0–100%
69	Fijn rood 6	000 ⇔ 255	0–100%
70	Groen 6	000 ⇔ 255	0–100%
71	Fijn groen 6	000 ⇔ 255	0–100%
72	Blauw 6	000 ⇔ 255	0–100%
73	Fijn blauw 6	000 ⇔ 255	0–100%
74	Amber 6	000 ⇔ 255	0–100%
75	Fijn amber 6	000 ⇔ 255	0–100%
76	Lime 6	000 ⇔ 255	0–100%
77	Fijn lime 6	000 ⇔ 255	0–100%
78	Virtueel kleurenwiel 6	000 ⇔ 255	Raadpleeg de sectie Kleurenkaart voor specifieke waarden
79	Kleurtemperatuur 6	000 ⇔ 255	Raadpleeg de sectie Kleurtemperatuur-kaart voor specifieke waarden
80	Stroboscoop 6	000 ⇔ 010	Geen functie
		011 ⇔ 255	Stroboscoop, langzaam bis snel
81	Rood 7	000 ⇔ 255	0–100%
82	Fijn rood 7	000 ⇔ 255	0–100%
83	Groen 7	000 ⇔ 255	0–100%
84	Fijn groen 7	000 ⇔ 255	0–100%
85	Blauw 7	000 ⇔ 255	0–100%
86	Fijn blauw 7	000 ⇔ 255	0–100%
87	Amber 7	000 ⇔ 255	0–100%
88	Fijn amber 7	000 ⇔ 255	0–100%
89	Lime 7	000 ⇔ 255	0–100%
90	Fijn lime 7	000 ⇔ 255	0–100%
91	Virtueel kleurenwiel 7	000 ⇔ 255	Raadpleeg de sectie Kleurenkaart voor specifieke waarden
92	Kleurtemperatuur 7	000 ⇔ 255	Raadpleeg de sectie Kleurtemperatuur-kaart voor specifieke waarden
93	Stroboscoop 7	000 ⇔ 010	Geen functie
		011 ⇔ 255	Stroboscoop, langzaam bis snel
94	Stroboscoop alle	000 ⇔ 010	Geen functie
		011 ⇔ 255	Stroboscoop, langzaam bis snel
95	Kleur macro's	000 ⇔ 015	Geen functie
		016 ⇔ 255	Kleur macro's
96	Dimmersnelheid	000 ⇔ 051	Voorinstelling van de dimmersnelheid vanaf het displaymenu
		052 ⇔ 101	Lineaire dimmer
		102 ⇔ 152	Niet-lineaire dimcurve 1 (snelst)
		153 ⇔ 203	Niet-lineaire dimcurve 2
		204 ⇔ 255	Niet-lineaire dimcurve 3 (langzaamst)

7-cel RGBAL Fine 70CH

Kanaal	Functie	Waarde	Percentage/Instelling
1	Rood 1	000 ⇄ 255	0-100%
2	Fijn rood 1	000 ⇄ 255	0-100%
3	Groen 1	000 ⇄ 255	0-100%
4	Fijn groen 1	000 ⇄ 255	0-100%
5	Blauw 1	000 ⇄ 255	0-100%
6	Fijn blauw 1	000 ⇄ 255	0-100%
7	Amber 1	000 ⇄ 255	0-100%
8	Fijn amber 1	000 ⇄ 255	0-100%
9	Lime 1	000 ⇄ 255	0-100%
10	Fijn Lime 1	000 ⇄ 255	0-100%
11	Rood 2	000 ⇄ 255	0-100%
12	Fijn rood 2	000 ⇄ 255	0-100%
13	Groen 2	000 ⇄ 255	0-100%
14	Fijn groen 2	000 ⇄ 255	0-100%
15	Blauw 2	000 ⇄ 255	0-100%
16	Fijn blauw 2	000 ⇄ 255	0-100%
17	Amber 2	000 ⇄ 255	0-100%
18	Fijn amber 2	000 ⇄ 255	0-100%
19	Lime 2	000 ⇄ 255	0-100%
20	Fijn Lime 2	000 ⇄ 255	0-100%
21	Rood 3	000 ⇄ 255	0-100%
22	Fijn rood 3	000 ⇄ 255	0-100%
23	Groen 3	000 ⇄ 255	0-100%
24	Fijn groen 3	000 ⇄ 255	0-100%
25	Blauw 3	000 ⇄ 255	0-100%
26	Fijn blauw 3	000 ⇄ 255	0-100%
27	Amber 3	000 ⇄ 255	0-100%
28	Fijn amber 3	000 ⇄ 255	0-100%
29	Lime 3	000 ⇄ 255	0-100%
30	Fijn Lime 3	000 ⇄ 255	0-100%
31	Rood 4	000 ⇄ 255	0-100%
32	Fijn rood 4	000 ⇄ 255	0-100%
33	Groen 4	000 ⇄ 255	0-100%
34	Fijn groen 4	000 ⇄ 255	0-100%
35	Blauw 4	000 ⇄ 255	0-100%
36	Fijn blauw 4	000 ⇄ 255	0-100%
37	Amber 4	000 ⇄ 255	0-100%
38	Fijn amber 4	000 ⇄ 255	0-100%
39	Lime 4	000 ⇄ 255	0-100%
40	Fijn Lime 4	000 ⇄ 255	0-100%
41	Rood 5	000 ⇄ 255	0-100%
42	Fijn rood 5	000 ⇄ 255	0-100%
43	Groen 5	000 ⇄ 255	0-100%
44	Fijn groen 5	000 ⇄ 255	0-100%
45	Blauw 5	000 ⇄ 255	0-100%
46	Fijn blauw 5	000 ⇄ 255	0-100%
47	Amber 5	000 ⇄ 255	0-100%
48	Fijn amber 5	000 ⇄ 255	0-100%
49	Lime 5	000 ⇄ 255	0-100%
50	Fijn Lime 5	000 ⇄ 255	0-100%
51	Rood 6	000 ⇄ 255	0-100%
52	Fijn rood 6	000 ⇄ 255	0-100%
53	Groen 6	000 ⇄ 255	0-100%
54	Fijn groen 6	000 ⇄ 255	0-100%

Kanaal	Functie	Waarde	Percentage/Instelling
55	Blauw 6	000 ⇔ 255	0–100%
56	Fijn blauw 6	000 ⇔ 255	0–100%
57	Amber 6	000 ⇔ 255	0–100%
58	Fijn amber 6	000 ⇔ 255	0–100%
59	Lime 6	000 ⇔ 255	0–100%
60	Fijn Lime 6	000 ⇔ 255	0–100%
61	Rood 7	000 ⇔ 255	0–100%
62	Fijn rood 7	000 ⇔ 255	0–100%
63	Groen 7	000 ⇔ 255	0–100%
64	Fijn groen 7	000 ⇔ 255	0–100%
65	Blauw 7	000 ⇔ 255	0–100%
66	Fijn blauw 7	000 ⇔ 255	0–100%
67	Amber 7	000 ⇔ 255	0–100%
68	Fijn amber 7	000 ⇔ 255	0–100%
69	Lime 7	000 ⇔ 255	0–100%
70	Fijn Lime 7	000 ⇔ 255	0–100%

7-cel RGBAL EXT 59CH

Kanaal	Functie	Waarde	Percentage/Instelling
1	Dimmer	000 ⇔ 255	0–100%
2	Fijne dimmer	000 ⇔ 255	0–100%
3	Rood 1	000 ⇔ 255	0–100%
4	Groen 1	000 ⇔ 255	0–100%
5	Blauw 1	000 ⇔ 255	0–100%
6	Amber 1	000 ⇔ 255	0–100%
7	Lime 1	000 ⇔ 255	0–100%
8	Virtueel kleurenwiel 1	000 ⇔ 255	Raadpleeg de sectie Kleurenkaart voor specifieke waarden
9	Kleurtemperatuur 1	000 ⇔ 255	Raadpleeg de sectie Kleurtemperatuur-kaart voor specifieke waarden
10	Stroboscoop 1	000 ⇔ 010 011 ⇔ 255	Geen functie Stroboscoop, langzaam bis snel
11	Rood 2	000 ⇔ 255	0–100%
12	Groen 2	000 ⇔ 255	0–100%
13	Blauw 2	000 ⇔ 255	0–100%
14	Amber 2	000 ⇔ 255	0–100%
15	Lime 2	000 ⇔ 255	0–100%
16	Virtueel kleurenwiel 2	000 ⇔ 255	Raadpleeg de sectie Kleurenkaart voor specifieke waarden
17	Kleurtemperatuur 2	000 ⇔ 255	Raadpleeg de sectie Kleurtemperatuur-kaart voor specifieke waarden
18	Stroboscoop 2	000 ⇔ 010 011 ⇔ 255	Geen functie Stroboscoop, langzaam bis snel
19	Rood 3	000 ⇔ 255	0–100%
20	Groen 3	000 ⇔ 255	0–100%
21	Blauw 3	000 ⇔ 255	0–100%
22	Amber 3	000 ⇔ 255	0–100%
23	Lime 3	000 ⇔ 255	0–100%
24	Virtueel kleurenwiel 3	000 ⇔ 255	Raadpleeg de sectie Kleurenkaart voor specifieke waarden
25	Kleurtemperatuur 3	000 ⇔ 255	Raadpleeg de sectie Kleurtemperatuur-kaart voor specifieke waarden
26	Stroboscoop 3	000 ⇔ 010 011 ⇔ 255	Geen functie Stroboscoop, langzaam bis snel
27	Rood 4	000 ⇔ 255	0–100%
28	Groen 4	000 ⇔ 255	0–100%
29	Blauw 4	000 ⇔ 255	0–100%
30	Amber 4	000 ⇔ 255	0–100%
31	Lime 4	000 ⇔ 255	0–100%
32	Virtueel kleurenwiel 4	000 ⇔ 255	Raadpleeg de sectie Kleurenkaart voor specifieke waarden
33	Kleurtemperatuur 4	000 ⇔ 255	Raadpleeg de sectie Kleurtemperatuur-kaart voor specifieke waarden

Kanaal	Functie	Waarde	Percentage/Instelling
34	Stroboscoop 4	000 ⇔ 010 011 ⇔ 255	Geen functie Stroboscoop, langzaam bis snel
35	Rood 5	000 ⇔ 255	0–100%
36	Groen 5	000 ⇔ 255	0–100%
37	Blauw 5	000 ⇔ 255	0–100%
38	Amber 5	000 ⇔ 255	0–100%
39	Lime 5	000 ⇔ 255	0–100%
40	Virtueel kleurenwiel 5	000 ⇔ 255	Raadpleeg de sectie Kleurenkaart voor specifieke waarden
41	Kleurtemperatuur 5	000 ⇔ 255	Raadpleeg de sectie Kleurtemperatuur-kaart voor specifieke waarden
42	Stroboscoop 5	000 ⇔ 010 011 ⇔ 255	Geen functie Stroboscoop, langzaam bis snel
43	Rood 6	000 ⇔ 255	0–100%
44	Groen 6	000 ⇔ 255	0–100%
45	Blauw 6	000 ⇔ 255	0–100%
46	Amber 6	000 ⇔ 255	0–100%
47	Lime 6	000 ⇔ 255	0–100%
48	Virtueel kleurenwiel 6	000 ⇔ 255	Raadpleeg de sectie Kleurenkaart voor specifieke waarden
49	Kleurtemperatuur 6	000 ⇔ 255	Raadpleeg de sectie Kleurtemperatuur-kaart voor specifieke waarden
50	Stroboscoop 6	000 ⇔ 010 011 ⇔ 255	Geen functie Stroboscoop, langzaam bis snel
51	Rood 7	000 ⇔ 255	0–100%
52	Groen 7	000 ⇔ 255	0–100%
53	Blauw 7	000 ⇔ 255	0–100%
54	Amber 7	000 ⇔ 255	0–100%
55	Lime 7	000 ⇔ 255	0–100%
56	Virtueel kleurenwiel 7	000 ⇔ 255	Raadpleeg de sectie Kleurenkaart voor specifieke waarden
57	Kleurtemperatuur 7	000 ⇔ 255	Raadpleeg de sectie Kleurtemperatuur-kaart voor specifieke waarden
58	Stroboscoop 7	000 ⇔ 010 011 ⇔ 255	Geen functie Stroboscoop, langzaam bis snel
59	Stroboscoop alle	000 ⇔ 010 011 ⇔ 255	Geen functie Stroboscoop, langzaam bis snel

7-cel RGBA EXT 52CH

Kanaal	Functie	Waarde	Percentage/Instelling
1	Dimmer	000 ⇔ 255	0–100%
2	Fijne dimmer	000 ⇔ 255	0–100%
3	Rood 1	000 ⇔ 255	0–100%
4	Groen 1	000 ⇔ 255	0–100%
5	Blauw 1	000 ⇔ 255	0–100%
6	Amber 1	000 ⇔ 255	0–100%
7	Virtueel kleurenwiel 1	000 ⇔ 255	Raadpleeg de sectie Kleurenkaart voor specifieke waarden
8	Kleurtemperatuur 1	000 ⇔ 255	Raadpleeg de sectie Kleurtemperatuur-kaart voor specifieke waarden
9	Stroboscoop 1	000 ⇔ 010 011 ⇔ 255	Geen functie Stroboscoop, langzaam bis snel
10	Rood 2	000 ⇔ 255	0–100%
11	Groen 2	000 ⇔ 255	0–100%
12	Blauw 2	000 ⇔ 255	0–100%
13	Amber 2	000 ⇔ 255	0–100%
14	Virtueel kleurenwiel 2	000 ⇔ 255	Raadpleeg de sectie Kleurenkaart voor specifieke waarden
15	Kleurtemperatuur 2	000 ⇔ 255	Raadpleeg de sectie Kleurtemperatuur-kaart voor specifieke waarden
16	Stroboscoop 2	000 ⇔ 010 011 ⇔ 255	Geen functie Stroboscoop, langzaam bis snel
17	Rood 3	000 ⇔ 255	0–100%
18	Groen 3	000 ⇔ 255	0–100%
19	Blauw 3	000 ⇔ 255	0–100%

Kanaal	Functie	Waarde	Percentage/Instelling
20	Amber 3	000 ⇔ 255	0–100%
21	Virtueel kleurenwiel 3	000 ⇔ 255	Raadpleeg de sectie Kleurenkaart voor specifieke waarden
22	Kleurtemperatuur 3	000 ⇔ 255	Raadpleeg de sectie Kleurtemperatuur-kaart voor specifieke waarden
23	Stroboscoop 3	000 ⇔ 010 011 ⇔ 255	Geen functie Stroboscoop, langzaam bis snel
24	Rood 4	000 ⇔ 255	0–100%
25	Groen 4	000 ⇔ 255	0–100%
26	Blauw 4	000 ⇔ 255	0–100%
27	Amber 4	000 ⇔ 255	0–100%
28	Virtueel kleurenwiel 4	000 ⇔ 255	Raadpleeg de sectie Kleurenkaart voor specifieke waarden
29	Kleurtemperatuur 4	000 ⇔ 255	Raadpleeg de sectie Kleurtemperatuur-kaart voor specifieke waarden
30	Stroboscoop 4	000 ⇔ 010 011 ⇔ 255	Geen functie Stroboscoop, langzaam bis snel
31	Rood 5	000 ⇔ 255	0–100%
32	Groen 5	000 ⇔ 255	0–100%
33	Blauw 5	000 ⇔ 255	0–100%
34	Amber 5	000 ⇔ 255	0–100%
35	Virtueel kleurenwiel 5	000 ⇔ 255	Raadpleeg de sectie Kleurenkaart voor specifieke waarden
36	Kleurtemperatuur 5	000 ⇔ 255	Raadpleeg de sectie Kleurtemperatuur-kaart voor specifieke waarden
37	Stroboscoop 5	000 ⇔ 010 011 ⇔ 255	Geen functie Stroboscoop, langzaam bis snel
38	Rood 6	000 ⇔ 255	0–100%
39	Groen 6	000 ⇔ 255	0–100%
40	Blauw 6	000 ⇔ 255	0–100%
41	Amber 6	000 ⇔ 255	0–100%
42	Virtueel kleurenwiel 6	000 ⇔ 255	Raadpleeg de sectie Kleurenkaart voor specifieke waarden
43	Kleurtemperatuur 6	000 ⇔ 255	Raadpleeg de sectie Kleurtemperatuur-kaart voor specifieke waarden
44	Stroboscoop 6	000 ⇔ 010 011 ⇔ 255	Geen functie Stroboscoop, langzaam bis snel
45	Rood 7	000 ⇔ 255	0–100%
46	Groen 7	000 ⇔ 255	0–100%
47	Blauw 7	000 ⇔ 255	0–100%
48	Amber 7	000 ⇔ 255	0–100%
49	Virtueel kleurenwiel 7	000 ⇔ 255	Raadpleeg de sectie Kleurenkaart voor specifieke waarden
50	Kleurtemperatuur 7	000 ⇔ 255	Raadpleeg de sectie Kleurtemperatuur-kaart voor specifieke waarden
51	Stroboscoop 7	000 ⇔ 010 011 ⇔ 255	Geen functie Stroboscoop, langzaam bis snel
52	Stroboscoop alle	000 ⇔ 010 011 ⇔ 255	Geen functie Stroboscoop, langzaam bis snel

7-cel RGB EXT 45CH

Kanaal	Functie	Waarde	Percentage/Instelling
1	Dimmer	000 ⇔ 255	0–100%
2	Fijne dimmer	000 ⇔ 255	0–100%
3	Rood 1	000 ⇔ 255	0–100%
4	Groen 1	000 ⇔ 255	0–100%
5	Blauw 1	000 ⇔ 255	0–100%
6	Virtueel kleurenwiel 1	000 ⇔ 255	Raadpleeg de sectie Kleurenkaart voor specifieke waarden
7	Kleurtemperatuur 1	000 ⇔ 255	Raadpleeg de sectie Kleurtemperatuur-kaart voor specifieke waarden
8	Stroboscoop 1	000 ⇔ 010 011 ⇔ 255	Geen functie Stroboscoop, langzaam bis snel
9	Rood 2	000 ⇔ 255	0–100%
10	Groen 2	000 ⇔ 255	0–100%
11	Blauw 2	000 ⇔ 255	0–100%
12	Virtueel kleurenwiel 2	000 ⇔ 255	Raadpleeg de sectie Kleurenkaart voor specifieke waarden
13	Kleurtemperatuur 2	000 ⇔ 255	Raadpleeg de sectie Kleurtemperatuur-kaart voor specifieke waarden
14	Stroboscoop 2	000 ⇔ 010 011 ⇔ 255	Geen functie Stroboscoop, langzaam bis snel
15	Rood 3	000 ⇔ 255	0–100%
16	Groen 3	000 ⇔ 255	0–100%
17	Blauw 3	000 ⇔ 255	0–100%
18	Virtueel kleurenwiel 3	000 ⇔ 255	Raadpleeg de sectie Kleurenkaart voor specifieke waarden
19	Kleurtemperatuur 3	000 ⇔ 255	Raadpleeg de sectie Kleurtemperatuur-kaart voor specifieke waarden
20	Stroboscoop 3	000 ⇔ 010 011 ⇔ 255	Geen functie Stroboscoop, langzaam bis snel
21	Rood 4	000 ⇔ 255	0–100%
22	Groen 4	000 ⇔ 255	0–100%
23	Blauw 4	000 ⇔ 255	0–100%
24	Virtueel kleurenwiel 4	000 ⇔ 255	Raadpleeg de sectie Kleurenkaart voor specifieke waarden
25	Kleurtemperatuur 4	000 ⇔ 255	Raadpleeg de sectie Kleurtemperatuur-kaart voor specifieke waarden
26	Stroboscoop 4	000 ⇔ 010 011 ⇔ 255	Geen functie Stroboscoop, langzaam bis snel
27	Rood 5	000 ⇔ 255	0–100%
28	Groen 5	000 ⇔ 255	0–100%
29	Blauw 5	000 ⇔ 255	0–100%
30	Virtueel kleurenwiel 5	000 ⇔ 255	Raadpleeg de sectie Kleurenkaart voor specifieke waarden
31	Kleurtemperatuur 5	000 ⇔ 255	Raadpleeg de sectie Kleurtemperatuur-kaart voor specifieke waarden
32	Stroboscoop 5	000 ⇔ 010 011 ⇔ 255	Geen functie Stroboscoop, langzaam bis snel
33	Rood 6	000 ⇔ 255	0–100%
34	Groen 6	000 ⇔ 255	0–100%
35	Blauw 6	000 ⇔ 255	0–100%
36	Virtueel kleurenwiel 6	000 ⇔ 255	Raadpleeg de sectie Kleurenkaart voor specifieke waarden
37	Kleurtemperatuur 6	000 ⇔ 255	Raadpleeg de sectie Kleurtemperatuur-kaart voor specifieke waarden
38	Stroboscoop 6	000 ⇔ 010 011 ⇔ 255	Geen functie Stroboscoop, langzaam bis snel
39	Rood 7	000 ⇔ 255	0–100%
40	Groen 7	000 ⇔ 255	0–100%
41	Blauw 7	000 ⇔ 255	0–100%
42	Virtueel kleurenwiel 7	000 ⇔ 255	Raadpleeg de sectie Kleurenkaart voor specifieke waarden
43	Kleurtemperatuur 7	000 ⇔ 255	Raadpleeg de sectie Kleurtemperatuur-kaart voor specifieke waarden
44	Stroboscoop 7	000 ⇔ 010 011 ⇔ 255	Geen functie Stroboscoop, langzaam bis snel
45	Stroboscoop alle	000 ⇔ 010 011 ⇔ 255	Geen functie Stroboscoop, langzaam bis snel

7-cel RGBAL 35CH

Kanaal	Functie	Waarde	Percentage/Instelling
1	Rood 1	000 ⇄ 255	0–100%
2	Groen 1	000 ⇄ 255	0–100%
3	Blauw 1	000 ⇄ 255	0–100%
4	Amber 1	000 ⇄ 255	0–100%
5	Lime 1	000 ⇄ 255	0–100%
6	Rood 2	000 ⇄ 255	0–100%
7	Groen 2	000 ⇄ 255	0–100%
8	Blauw 2	000 ⇄ 255	0–100%
9	Amber 2	000 ⇄ 255	0–100%
10	Lime 2	000 ⇄ 255	0–100%
11	Rood 3	000 ⇄ 255	0–100%
12	Groen 3	000 ⇄ 255	0–100%
13	Blauw 3	000 ⇄ 255	0–100%
14	Amber 3	000 ⇄ 255	0–100%
15	Lime 3	000 ⇄ 255	0–100%
16	Rood 4	000 ⇄ 255	0–100%
17	Groen 4	000 ⇄ 255	0–100%
18	Blauw 4	000 ⇄ 255	0–100%
19	Amber 4	000 ⇄ 255	0–100%
20	Lime 4	000 ⇄ 255	0–100%
21	Rood 5	000 ⇄ 255	0–100%
22	Groen 5	000 ⇄ 255	0–100%
23	Blauw 5	000 ⇄ 255	0–100%
24	Amber 5	000 ⇄ 255	0–100%
25	Lime 5	000 ⇄ 255	0–100%
26	Rood 6	000 ⇄ 255	0–100%
27	Groen 6	000 ⇄ 255	0–100%
28	Blauw 6	000 ⇄ 255	0–100%
29	Amber 6	000 ⇄ 255	0–100%
30	Lime 6	000 ⇄ 255	0–100%
31	Rood 7	000 ⇄ 255	0–100%
32	Groen 7	000 ⇄ 255	0–100%
33	Blauw 7	000 ⇄ 255	0–100%
34	Amber 7	000 ⇄ 255	0–100%
35	Lime 7	000 ⇄ 255	0–100%

7-cel RGBA 28CH

Kanaal	Functie	Waarde	Percentage/Instelling
1	Rood 1	000 ⇄ 255	0–100%
2	Groen 1	000 ⇄ 255	0–100%
3	Blauw 1	000 ⇄ 255	0–100%
4	Amber 1	000 ⇄ 255	0–100%
5	Rood 2	000 ⇄ 255	0–100%
6	Groen 2	000 ⇄ 255	0–100%
7	Blauw 2	000 ⇄ 255	0–100%
8	Amber 2	000 ⇄ 255	0–100%
9	Rood 3	000 ⇄ 255	0–100%
10	Groen 3	000 ⇄ 255	0–100%
11	Blauw 3	000 ⇄ 255	0–100%
12	Amber 3	000 ⇄ 255	0–100%
13	Rood 4	000 ⇄ 255	0–100%
14	Groen 4	000 ⇄ 255	0–100%
15	Blauw 4	000 ⇄ 255	0–100%
16	Amber 4	000 ⇄ 255	0–100%
17	Rood 5	000 ⇄ 255	0–100%
18	Groen 5	000 ⇄ 255	0–100%
19	Blauw 5	000 ⇄ 255	0–100%
20	Amber 5	000 ⇄ 255	0–100%
21	Rood 6	000 ⇄ 255	0–100%
22	Groen 6	000 ⇄ 255	0–100%
23	Blauw 6	000 ⇄ 255	0–100%
24	Amber 6	000 ⇄ 255	0–100%
25	Rood 7	000 ⇄ 255	0–100%
26	Groen 7	000 ⇄ 255	0–100%
27	Blauw 7	000 ⇄ 255	0–100%
28	Amber 7	000 ⇄ 255	0–100%

7-cel RGB 21CH

Kanaal	Functie	Waarde	Percentage/Instelling
1	Rood 1	000 ⇄ 255	0–100%
2	Groen 1	000 ⇄ 255	0–100%
3	Blauw 1	000 ⇄ 255	0–100%
4	Rood 2	000 ⇄ 255	0–100%
5	Groen 2	000 ⇄ 255	0–100%
6	Blauw 2	000 ⇄ 255	0–100%
7	Rood 3	000 ⇄ 255	0–100%
8	Groen 3	000 ⇄ 255	0–100%
9	Blauw 3	000 ⇄ 255	0–100%
10	Rood 4	000 ⇄ 255	0–100%
11	Groen 4	000 ⇄ 255	0–100%
12	Blauw 4	000 ⇄ 255	0–100%
13	Rood 5	000 ⇄ 255	0–100%
14	Groen 5	000 ⇄ 255	0–100%
15	Blauw 5	000 ⇄ 255	0–100%
16	Rood 6	000 ⇄ 255	0–100%
17	Groen 6	000 ⇄ 255	0–100%
18	Blauw 6	000 ⇄ 255	0–100%
19	Rood 7	000 ⇄ 255	0–100%
20	Groen 7	000 ⇄ 255	0–100%
21	Blauw 7	000 ⇄ 255	0–100%

7-cel HSV 21CH

Kanaal	Functie	Waarde	Percentage/Instelling
1	Tint 1	000 ⇔ 255	0–100%
2	Verzadiging 1	000 ⇔ 255	0–100%
3	Waarde 1	000 ⇔ 255	0–100%
4	Tint 2	000 ⇔ 255	0–100%
5	Verzadiging 2	000 ⇔ 255	0–100%
6	Waarde 2	000 ⇔ 255	0–100%
7	Tint 3	000 ⇔ 255	0–100%
8	Verzadiging 3	000 ⇔ 255	0–100%
9	Waarde 3	000 ⇔ 255	0–100%
10	Tint 4	000 ⇔ 255	0–100%
11	Verzadiging 4	000 ⇔ 255	0–100%
12	Waarde 4	000 ⇔ 255	0–100%
13	Tint 5	000 ⇔ 255	0–100%
14	Verzadiging 5	000 ⇔ 255	0–100%
15	Waarde 5	000 ⇔ 255	0–100%
16	Tint 6	000 ⇔ 255	0–100%
17	Verzadiging 6	000 ⇔ 255	0–100%
18	Waarde 6	000 ⇔ 255	0–100%
19	Tint 7	000 ⇔ 255	0–100%
20	Verzadiging 7	000 ⇔ 255	0–100%
21	Waarde 7	000 ⇔ 255	0–100%

1-cel persoonlijkheden
1-cel RGBAL FULL 17CH

Kanaal	Functie	Waarde	Percentage/Instelling
1	Dimmer	000 ⇔ 255	0–100%
2	Fijne dimmer	000 ⇔ 255	0–100%
3	Rood	000 ⇔ 255	0–100%
4	Fijn rood	000 ⇔ 255	0–100%
5	Groen	000 ⇔ 255	0–100%
6	Fijn groen	000 ⇔ 255	0–100%
7	Blauw	000 ⇔ 255	0–100%
8	Fijn blauw	000 ⇔ 255	0–100%
9	Amber	000 ⇔ 255	0–100%
10	Fijn amber	000 ⇔ 255	0–100%
11	Lime	000 ⇔ 255	0–100%
12	Fijn Lime	000 ⇔ 255	0–100%
13	Virtueel kleurenwiel	000 ⇔ 255	Raadpleeg de sectie Kleurenkaart voor specifieke waarden
14	Kleurtemperatuur	000 ⇔ 255	Raadpleeg de sectie Kleurtemperatuur-kaart voor specifieke waarden
15	Stroboscoop	000 ⇔ 010 011 ⇔ 255	Geen functie Stroboscoop, langzaam bis snel
16	Kleur macro's	000 ⇔ 015 016 ⇔ 255	Geen functie Kleur macro's
17	Dimmersnelheid	000 ⇔ 051 052 ⇔ 101 102 ⇔ 152 153 ⇔ 203 204 ⇔ 255	Voorinstelling van de dimmersnelheid vanaf het displaymenu Lineaire dimmer Niet-lineaire dimcurve 1 (snelst) Niet-lineaire dimcurve 2 Niet-lineaire dimcurve 3 (langzaamst)

1-cel RGBAL Fine 10CH

Kanaal	Functie	Waarde	Percentage/Instelling
1	Rood	000 ⇔ 255	0–100%
2	Fijn rood	000 ⇔ 255	0–100%
3	Groen	000 ⇔ 255	0–100%
4	Fijn groen	000 ⇔ 255	0–100%
5	Blauw	000 ⇔ 255	0–100%
6	Fijn blauw	000 ⇔ 255	0–100%
7	Amber	000 ⇔ 255	0–100%
8	Fijn amber	000 ⇔ 255	0–100%
9	Lime	000 ⇔ 255	0–100%
10	Fijn Lime	000 ⇔ 255	0–100%

1-cel RGBAL EXT 10CH

Kanaal	Functie	Waarde	Percentage/Instelling
1	Dimmer	000 ⇔ 255	0–100%
2	Fijne dimmer	000 ⇔ 255	0–100%
3	Rood	000 ⇔ 255	0–100%
4	Groen	000 ⇔ 255	0–100%
5	Blauw	000 ⇔ 255	0–100%
6	Amber	000 ⇔ 255	0–100%
7	Lime	000 ⇔ 255	0–100%
8	Virtueel kleurenwiel	000 ⇔ 255	Raadpleeg de sectie Kleurenkaart voor specifieke waarden
9	Kleurtemperatuur	000 ⇔ 255	Raadpleeg de sectie Kleurtemperatuur-kaart voor specifieke waarden
10	Stroboscoop	000 ⇔ 010 011 ⇔ 255	Geen functie Stroboscoop, langzaam bis snel

1-cel RGBA EXT 9CH

Kanaal	Functie	Waarde	Percentage/Instelling
1	Dimmer	000 ⇔ 255	0–100%
2	Fijne dimmer	000 ⇔ 255	0–100%
3	Rood	000 ⇔ 255	0–100%
4	Groen	000 ⇔ 255	0–100%
5	Blauw	000 ⇔ 255	0–100%
6	Amber	000 ⇔ 255	0–100%
7	Virtueel kleurenwiel	000 ⇔ 255	Raadpleeg de sectie Kleurenkaart voor specifieke waarden
8	Kleurtemperatuur	000 ⇔ 255	Raadpleeg de sectie Kleurtemperatuur-kaart voor specifieke waarden
9	Stroboscoop	000 ⇔ 010 011 ⇔ 255	Geen functie Stroboscoop, langzaam bis snel

1-cel RGB EXT 8CH

Kanaal	Functie	Waarde	Percentage/Instelling
1	Dimmer	000 ⇔ 255	0–100%
2	Fijne dimmer	000 ⇔ 255	0–100%
3	Rood	000 ⇔ 255	0–100%
4	Groen	000 ⇔ 255	0–100%
5	Blauw	000 ⇔ 255	0–100%
6	Virtueel kleurenwiel	000 ⇔ 255	Raadpleeg de sectie Kleurenkaart voor specifieke waarden
7	Kleurtemperatuur	000 ⇔ 255	Raadpleeg de sectie Kleurtemperatuur-kaart voor specifieke waarden
8	Stroboscoop	000 ⇔ 010 011 ⇔ 255	Geen functie Stroboscoop, langzaam bis snel

1-cel RGBAL 5CH

Kanaal	Functie	Waarde	Percentage/Instelling
1	Rood	000 ⇔ 255	0–100%
2	Groen	000 ⇔ 255	0–100%
3	Blauw	000 ⇔ 255	0–100%
4	Amber	000 ⇔ 255	0–100%
5	Lime	000 ⇔ 255	0–100%

1-cel RGBA 4CH

Kanaal	Functie	Waarde	Percentage/Instelling
1	Rood	000 ⇔ 255	0–100%
2	Groen	000 ⇔ 255	0–100%
3	Blauw	000 ⇔ 255	0–100%
4	Amber	000 ⇔ 255	0–100%

1-cel RGB 3CH

Kanaal	Functie	Waarde	Percentage/Instelling
1	Rood	000 ⇔ 255	0–100%
2	Groen	000 ⇔ 255	0–100%
3	Blauw	000 ⇔ 255	0–100%

1-cel DMX-VCW-CCT 3CH

Kanaal	Functie	Waarde	Percentage/Instelling
1	Dimmer	000 ⇔ 255	0–100%
2	Virtueel kleurenwiel	000 ⇔ 255	Raadpleeg de sectie Kleurenkaart voor specifieke waarden
3	Kleurtemperatuur	000 ⇔ 255	Raadpleeg de sectie Kleurtemperatuur-kaart voor specifieke waarden

1-cel HSV 3CH

Kanaal	Functie	Waarde	Percentage/Instelling
1	Tint	000 ⇔ 255	0–100%
2	Verzadiging	000 ⇔ 255	0–100%
3	Waarde	000 ⇔ 255	0–100%

Contact Us

General Information	Technical Support
Chauvet World Headquarters	
Address: 5200 NW 108th Ave. Sunrise, FL 33351 Voice: (954) 577-4455 Fax: (954) 929-5560 Toll Free: (800) 762-1084	Voice: (844) 393-7575 Fax: (954) 756-8015 Email: chauvetcs@chauvetlighting.com Website: www.chauvetprofessional.com
Chauvet Europe Ltd	
Address: Unit 1C Brookhill Road Industrial Estate Pinxton, Nottingham, UK NG16 6NT Voice: +44 (0) 1773 511115 Fax: +44 (0) 1773 511110	Email: UKtech@chauvetlighting.eu Website: www.chauvetprofessional.eu
Chauvet Europe BVBA	
Address: Stokstraat 18 9770 Kruishoutem Belgium Voice: +32 9 388 93 97	Email: BNLtech@chauvetlighting.eu Website: www.chauvetprofessional.eu
Chauvet France	
Address: 3, Rue Ampère 91380 Chilly-Mazarin France Voice: +33 1 78 85 33 59	Email: FRtech@chauvetlighting.fr Website: www.chauvetprofessional.eu
Chauvet Germany	
Address: Bruno-Bürgel-Str. 11 28759 Bremen Germany Voice: +49 421 62 60 20	Email: DEtech@chauvetlighting.de Website: www.chauvetprofessional.eu
Chauvet Mexico	
Address: Av. de las Partidas 34 - 3B (Entrance by Calle 2) Zona Industrial Lerma Lerma, Edo. de México, CP 52000 Voice: +52 (728) 690-2010	Email: servicio@chauvet.com.mx Website: www.chauvetprofessional.mx

Visit the applicable website above to verify our contact information and instructions to request support. Outside the US, UK, Ireland, Benelux, France, Germany, or Mexico, contact the dealer of record.



UL 1573
CSA C22.2 No. 166
E113093

