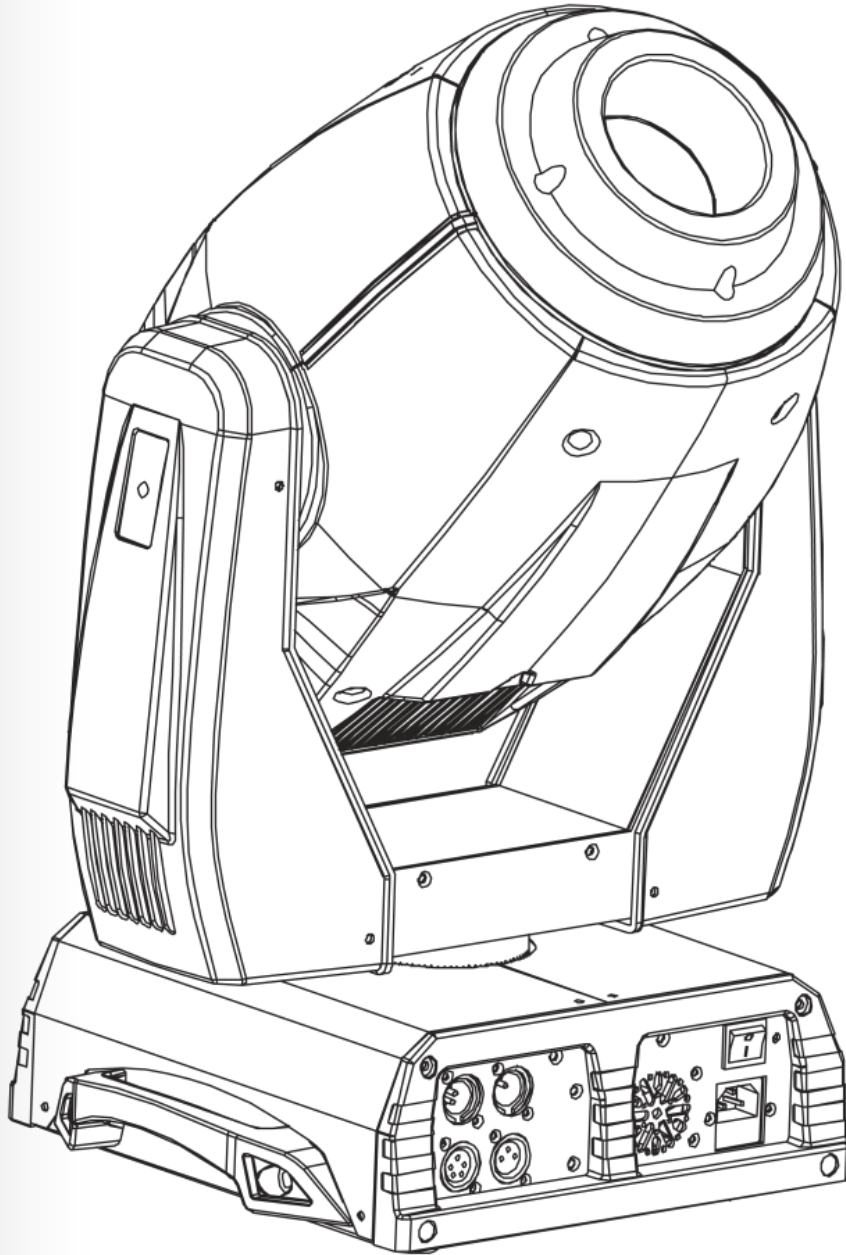


Q-SPOT™ 560-LED

User Manual



CHAUVET
PROFESSIONAL®

Edition Notes

The Q-Spot™ 560-LED User Manual Rev. 08 covers the description, safety precautions, installation, programming, operation, and maintenance of the Q-Spot™ 560-LED. CHAUVET® released this edition of the Q-Spot™ 560-LED User Manual in January 2013.

Trademarks

CHAUVET® is a registered trademark of CHAUVET & Sons Inc. (d/b/a CHAUVET® or Chauvet). The CHAUVET® logo in its entirety including the CHAUVET name and the dotted triangle, and all other trademarks on this manual pertaining to services, products, or marketing statements (example: It's Green Thinking™) are owned or licensed by CHAUVET®. Any other product names, logos, brands, company names, and other trademarks featured or referred to within this document are the property of their respective trademark holders.

Copyright Notice

CHAUVET® owns the content of this user manual in its entirety, including but not limited to pictures, logos, trademarks, and resources.

© **Copyright 2013 CHAUVET®. All rights reserved.**

Electronically published by CHAUVET® in the United States of America.

Manual Usage

CHAUVET® authorizes its customers to download and print this manual for professional information purposes only. CHAUVET® expressly prohibits the usage, copy, storage, distribution, modification, or printing of this manual or its content for any other purpose without its written consent.

Document Printing

For better results, print this document in color, on letter size paper (8.5 x 11 inches), double sided. If using A4 paper (210 x 297 mm), configure your printer to scale the content accordingly.

Intended Audience

Any person in charge of installing, operating, and/or maintaining this product should read the guide that shipped with it as well as this manual in their entirety before installing, operating, or maintaining this product.

Disclaimer

CHAUVET® believes that the information contained in this manual is accurate in all respects. However, CHAUVET® assumes no responsibility for any error or omissions in this document. CHAUVET® reserves the right to revise this document and to make changes from time to time in the content hereof without obligation of CHAUVET® to notify any person or company of such revision or changes. This does not constitute in any way a commitment by CHAUVET® to make such changes. CHAUVET® may issue a revision of this manual or a new edition of it to incorporate such changes.

Document Revision

The Q-Spot™ 560-LED User Manual Rev. 08 supersedes all previous versions of this manual. Please discard any older versions of this manual you may have, whether in printed or electronic format, and replace them with this version.

Author	Date	Editor	Date
D. Coupe	1/10/13	S. Diaz	1/10/13

Table of Contents

1. Before You Begin	1
What Is Included	1
Unpacking Instructions.....	1
Claims	1
Typographic Conventions	1
Icon Meaning.....	2
Product at a Glance	2
Safety Notes.....	3
Personal Safety	3
Mounting and Rigging.....	3
Power and Wiring	3
Operation.....	3
Expected LED Lifespan	3
2. Introduction	4
Product Description.....	4
Features	4
Additional Features.....	4
Product Overview.....	5
Product Dimensions.....	7
3. Setup	8
AC Power	8
AC Plug	8
Fuse Replacement	8
DMX Linking.....	9
DMX Modes.....	9
Master/Slave Connectivity	9
Gobo Replacement	10
Mounting	11
Orientation.....	11
Rigging	11
Product Mounting Diagram	11
4. Operation	12
Control Panel Description	12
Control Options	12
Programming.....	12
DMX Operation.....	12
Stand-alone Operation	13
Master/Slave.....	13
Display Mode.....	13
Software Version	13
Keylock.....	14
Reset.....	14
Dimmer Curve	14
Fader Reversal	15
Range Limitation.....	15
Reset Control.....	15
Move-in Black.....	15
Loss of DMX Settings	15
Fan Wait	16
System Default	16
Edit Custom.....	16
Menu Map	17
DMX Values	19

5. Technical Information	24
Product Maintenance	24
Troubleshooting Guide	25
Returns Procedure	26
Contact Us	26
Technical Specifications	27

1. Before You Begin

What Is Included

- One Q-Spot™ 560-LED
- One IEC Power Cord with Edison Plug (US Market)
- Two Omega Brackets
- One Safety Cable
- Warranty Card
- Quick Reference Guide

Unpacking Instructions

Immediately upon receiving this product, carefully unpack and check the container. Make sure you have received all the parts indicated above and all the parts are in good condition.

Claims




If the container or the material inside the container (the product and included accessories) appear damaged from shipping, or show signs of mishandling, upon receipt notify the carrier immediately, not CHAUVET®. Failure to do so in a timely manner may invalidate your claim with the carrier. In addition, keep the container and all the packing material for inspection.

For other issues such as missing components or parts, damage not related to shipping, or concealed damage, file a claim with CHAUVET® within seven (7) days of receiving the merchandise.

Typographic Conventions

Convention	Meaning
1~512	A range of values in the text
50/60	A set of mutually exclusive values in the text
<i>Claims</i>	A new term, another document reference, or section or chapter in this document
<SET>	A button on the product's control panel
Settings	A product function or a menu option
MENU > Settings	A sequence of menu options
1~10	A range of menu values from which to choose in a menu
Yes/No	A set of two mutually exclusive menu options in a menu
ON	A unique value to be entered or selected in a menu

Icon Meaning

Icon	Meaning
	This icon indicates critical installation, configuration, or operation information. Failure to comply with this information may render the product partially or completely inoperative, damage third-party equipment, or cause harm to you.
	This icon indicates important installation or configuration information. Failure to comply with this information may prevent the product from functioning correctly.
	This icon indicates useful, although non-critical information.



The term “DMX” used throughout this document refers to the USITT DMX512-A transmission protocol.

Product at a Glance

Use on Dimmer	X	Auto Programs	P
Outdoor Use	X	Auto-ranging Power Supply	P
Sound Activated	P	Replaceable Fuse	P
DMX	P	User Serviceable	X
Master/Slave	P	Duty Cycle	X

Safety Notes

Read all these Safety Notes before starting to work with this product. These notes include important safety information about the installation, usage, and maintenance of this product.



There are no user serviceable parts in this product. Any reference to servicing you find in this User Manual only applies to properly CHAUVET® certified technicians. Do not open the housing or attempt any repairs unless you are one of them.



Please refer to all applicable local codes and regulations for the proper installation of this product.

Personal Safety

- Avoid direct eye exposure to the light source while the product is on.
- Always disconnect this product from its power source before servicing.
- Always connect this product to a grounded circuit to avoid the risk of electrocution.
- Do not touch this product's housing when operating because it may be very hot.

Mounting and Rigging

- This product is for indoor use only! To prevent risk of fire or shock, do not expose this product to rain or moisture.
- Make sure there are no flammable materials close to this product while operating.
- When hanging this product, always secure it to a fastening device using a safety chain/cable (included).
- Do not carry this product from the head. Always use the handles.

Power and Wiring

- Always make sure that you are connecting this product to the proper voltage, as per the specifications in this manual or on the product's sticker.
- Never connect this product to a dimmer pack or rheostat.
- Never disconnect this product by pulling or tugging on the power cable.

Operation

- Do not operate this product if you see damage on the housing, lenses, or cables. In any of these cases, have the damaged parts replaced by an authorized technician at once.
- Do not cover the ventilation slots when this product is operating to avoid internal overheating.
- Do not aim this product toward the Sun. The lenses could concentrate the solar energy and cause internal overheating.
- The maximum ambient temperature is 104° F (40° C). Do not operate this product at a higher temperature.
- In case of a serious operating problem, stop using this product immediately!



In the unlikely event that your CHAUVET® product may require service, contact CHAUVET® Technical Support.

Expected LED Lifespan

LEDs gradually decline in brightness over time, mostly because of heat. Packaged in clusters, LEDs exhibit higher operating temperatures than in ideal, single LED conditions. For this reason, using clustered LEDs at their fullest intensity significantly reduces the LEDs' lifespan. Under normal conditions, this lifespan can be of 40,000 to 50,000 hours. If extending this lifespan is vital, lower the operational temperature by improving the product's ventilation and reducing the external temperature. In addition, limiting the overall projection intensity may also help to extend the LEDs' lifespan.

2. Introduction

Product Description

The Q-Spot™ 560-LED is a high-power moving yoke product equipped with three (3) 60-watt white LEDs. This product includes a color wheel with seven slots, plus white, and two gobo wheels. One gobo wheel has seven fixed gobos, plus open. The other gobo wheel has six rotating slot-n-lock gobos, plus open. In addition, the Q-Spot™ 560-LED includes remote focus and a rotating 3-facet prism.

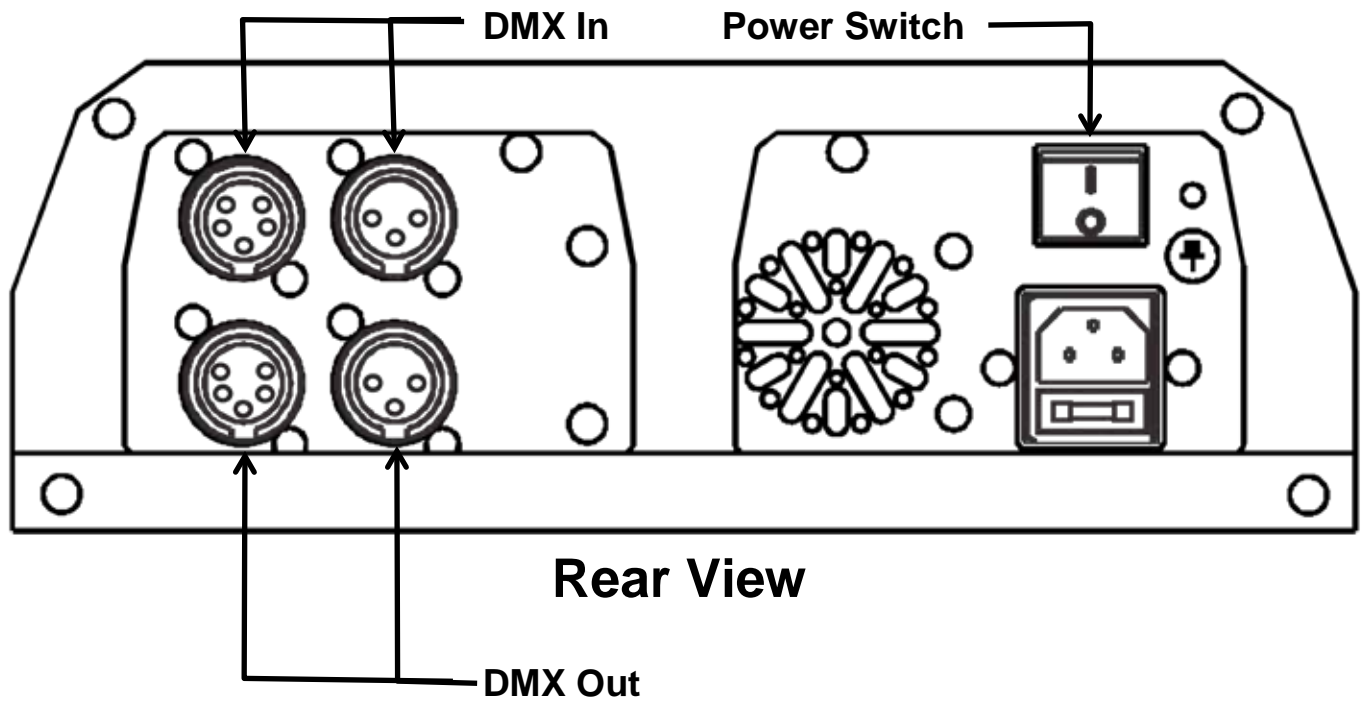
Features

- 13 or 17-channel DMX-512 LED moving yoke
- Pan: 540° / tilt: 270°
- Color wheel:
 - 7 colors + white
 - Split colors
 - Rainbow color spin at variable speeds
- Gobo wheel 1:
 - Gobo shake
 - 7 gobos + open
 - Gobo wheel spin at variable speeds
- Gobo wheel 2:
 - Indexed, rotating gobo wheel with gobo shake
 - 6 slot-n-lock gobos + open
 - 2 glass, 4 metal
 - Rotating gobo wheel spin at variable speeds
- Extremely bright with 19 degree beam angle for big looks
- 3-facet, high-speed rotating prism at variable speeds
- Variable focus
- Variable iris
- Variable electronic shutter (for strobing)
- Remote fixture reset and vector speed channel
- 255 user-programmable steps without DMX controller
- Move-in-black for pan/tilt
- Built-in automated programs
- Built-in sound activated programs
- 3 high-powered, 60 W (14 A) LEDs
- User-selectable pan/tilt ranges
- Automatic pan and tilt correction
- Quiet operation

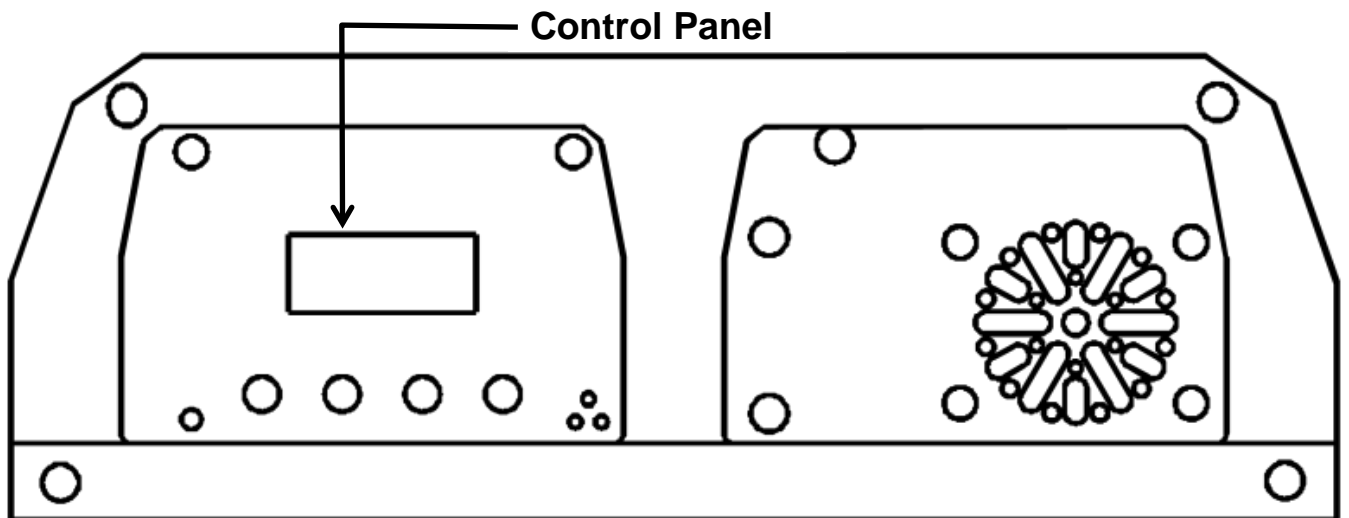
Additional Features

- 3-pin and 5-pin DMX connections

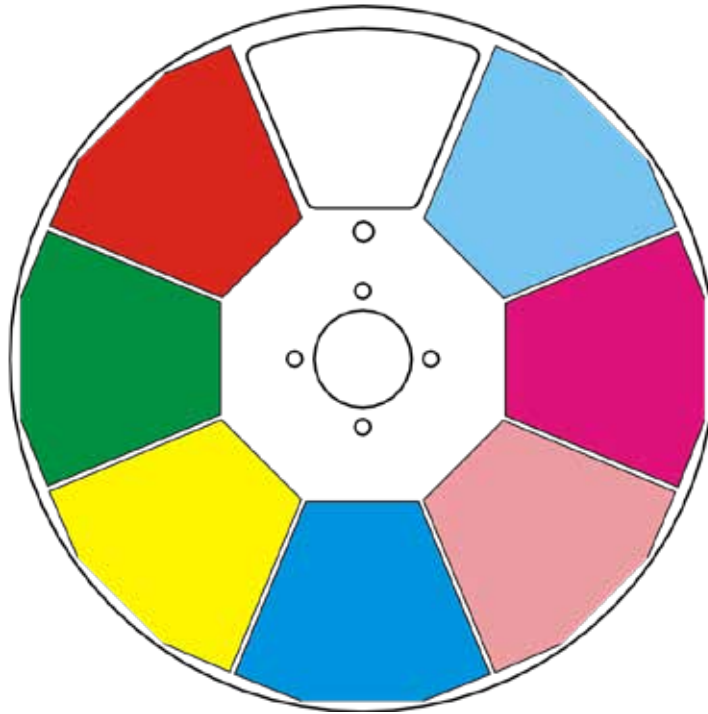
Product Overview



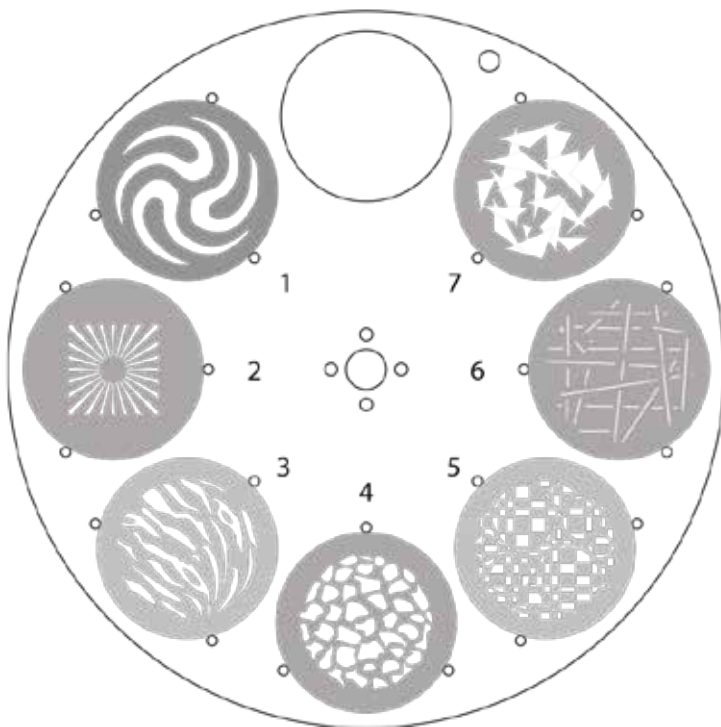
Rear View



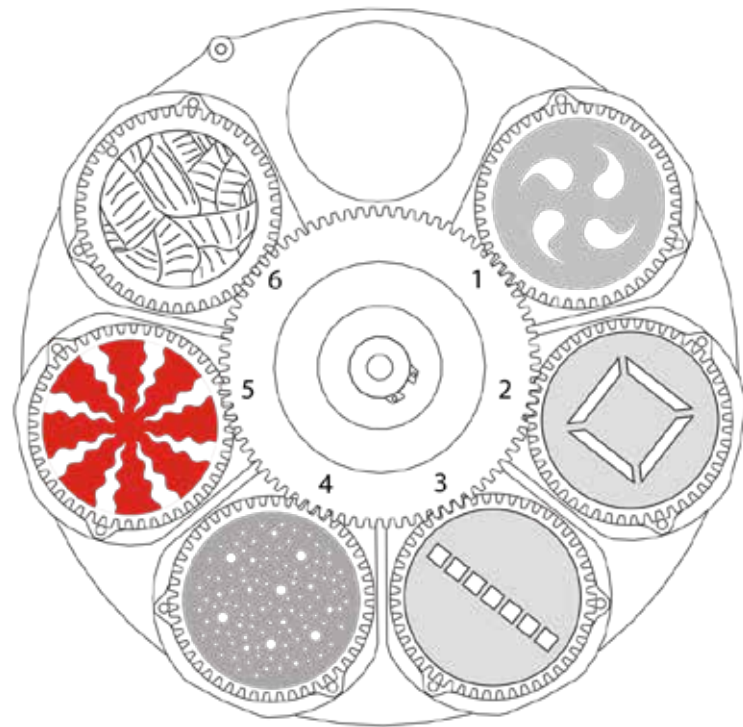
Front View



Color Wheel

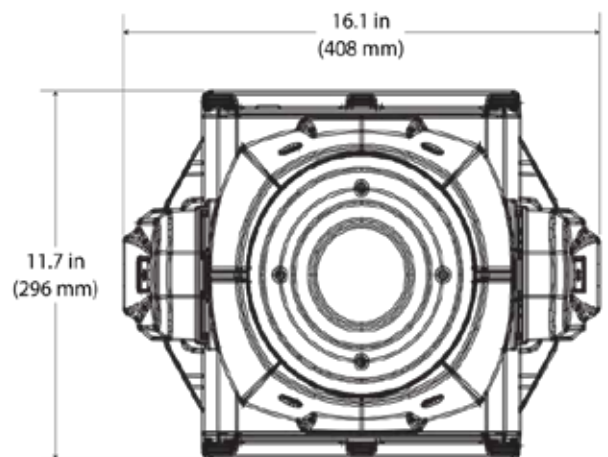
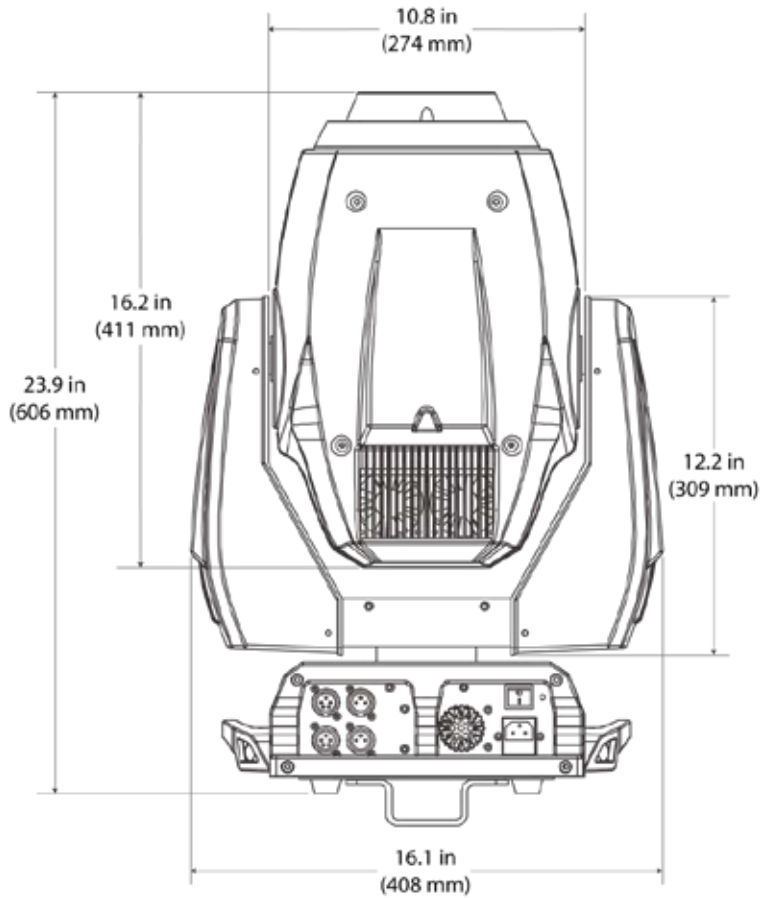
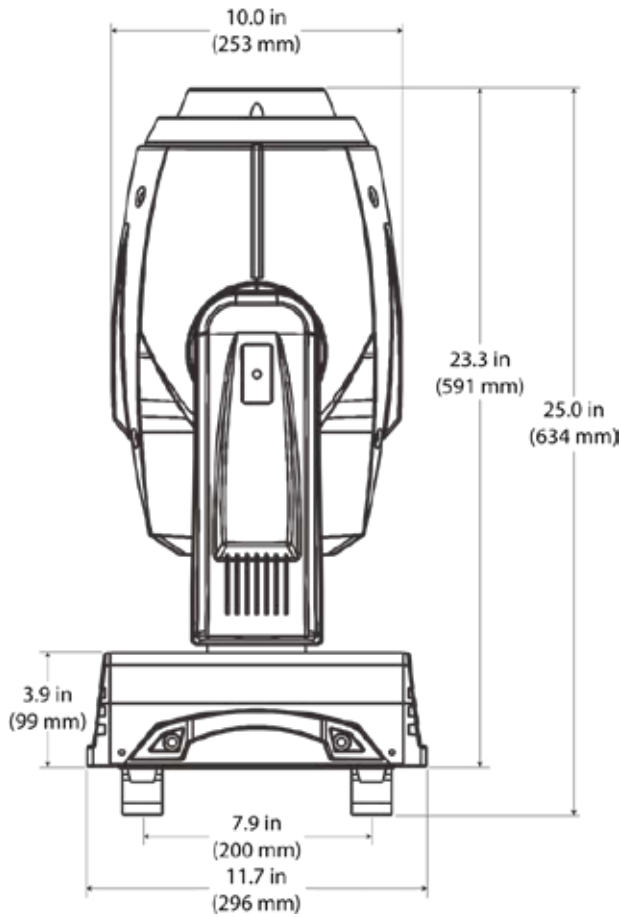


Gobo Wheel 1



Gobo Wheel 2

Product Dimensions



3. Setup

AC Power

The Q-Spot™ 560-LED has an auto-ranging power supply that works with an input voltage range of 100~240 VAC, 50/60 Hz.

Make sure that you are connecting this product to the proper voltage, as per the specifications in this manual or on the product's sticker.



Always connect this product to a protected circuit with an appropriate electrical ground to avoid the risk of electrocution or fire.

To determine the power requirements for the Q-Spot™ 560-LED, refer to the label affixed to the side of the product. You can also refer to the *Technical Specifications* chart in the *Technical Information* chapter of this manual.

The listed current rating indicates the maximum current draw during normal operation. For more information, you may download the document *Sizing the Circuit Breakers* from the CHAUVET® website: www.chauvetpro.com.



Never connect this product to a rheostat (variable resistor) or dimmer circuit, even if the rheostat or dimmer channel serves only as a 0 to 100% switch.

AC Plug

The Q-Spot™ 560-LED comes with a power input cord terminated with a IEC connector on one end and an Edison plug on the other end (US market). If the power input cord that came with your product has no plug or you need to change the Edison plug, use the table below to wire the new plug.

Connection	Wire (US)	Wire (Europe)	Screw Color
AC Live	Black	Brown	Yellow or Brass
AC Neutral	White	Blue	Silver
AC Ground	Green/Yellow	Green/Yellow	Green

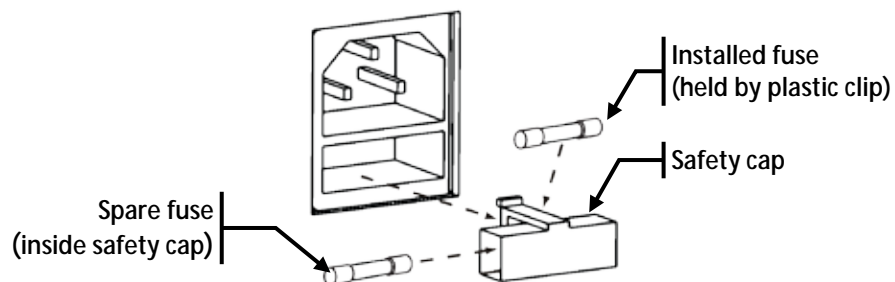
Fuse Replacement

This product uses a T5 A, 250 V fuse.



Make sure to disconnect the product's power cord before replacing a blown fuse, and always replace with a fuse of the same type and rating.

1. Disconnect the product from the power outlet.
2. Wedge the tip of a flat head screwdriver into the slot of the fuse holder.
3. Pry the safety cap out of the housing to pull out the installed fuse.
4. Remove the blown fuse from the safety cap and replace with a fuse of the exact same type and rating (T5 A, 250 V).
5. Insert the fuse holder back in place and reconnect power.



DMX Linking

You may link the Q-Spot™ 560-LED to a DMX controller using a standard DMX serial connection. If using other DMX compatible products with the Q-Spot™ 560-LED, you can control each product individually with a single DMX controller.

DMX Modes

The Q-Spot™ 560-LED uses the standard DMX data connection for its DMX personalities, **Basic** and **Advanced**. You will find information about these DMX modes in this manual. Refer to the *Introduction* chapter for a brief description, the *Operation* chapter for configuration details, and the *DMX Values* section for individual channel values.

Master/Slave Connectivity

The Master/Slave mode enables a Q-Spot™ 560-LED (the “master unit”) to control one or more Q-Spot™ 560-LED’s (the “slave units”) without a DMX controller. A Q-Spot™ 560-LED becomes the master unit when running an **AUTO**, **SOUND**, **TEST**, or **CUSTOM** program. You must configure the slave units to operate in **SLAVE** mode from their respective control panels. During the master/slave operation, the slave units will operate in unison with the master unit.



If you are not familiar with the DMX standard, master/slave connectivity, or if you need information about the DMX cables needed to link this product to a DMX controller, you may download the document *DMX Primer* from the CHAUVET® website: www.chauvetpro.com.



DO NOT connect a DMX controller to the products operating in Master/Slave mode. The DMX controller signals may interfere with the signals from the master unit.

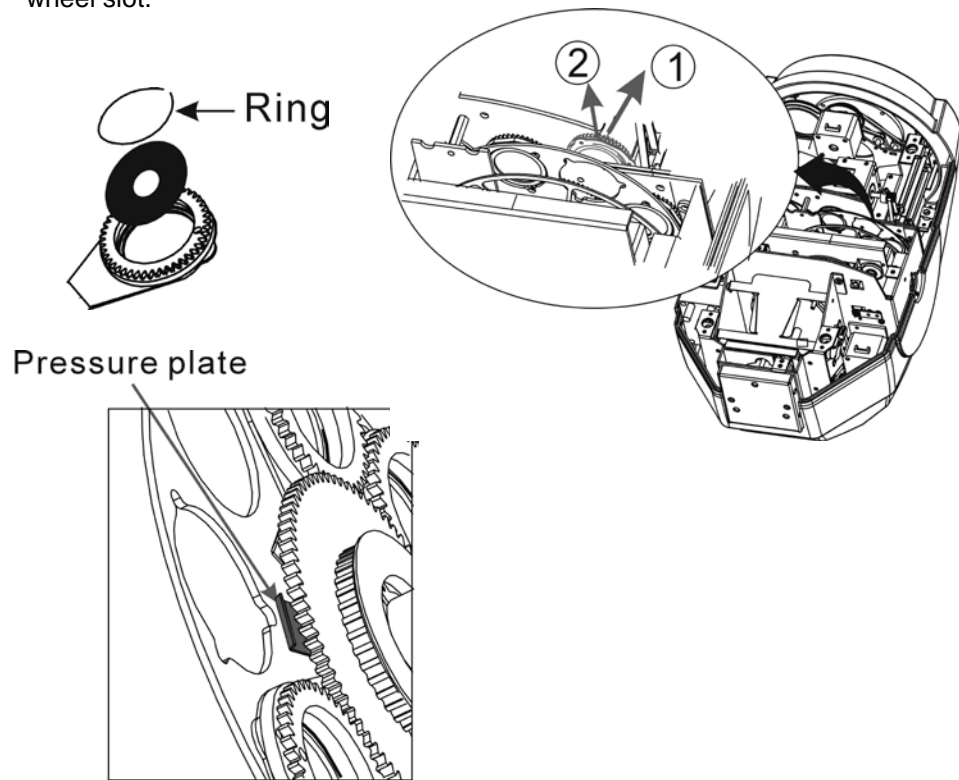


The *Operation* chapter of this manual provides detailed instructions on how to configure the Master and Slave units.

Gobo Replacement

1. Turn the product off and disconnect from the power outlet.
2. Open the head cover by loosening the four fastening screws at the sides of the top cover.
3. Separate the gobo plate from the gobo wheel by pushing the gobo plate toward the front of the moving head (direction 1 in the diagram). Be careful not to push the gobo out of the gobo plate.
4. Take out the gobo plate by pulling the gobo plate outward (direction 2 in the diagram).
5. On a flat surface, remove the expansion ring that holds the gobo in place.
6. Remove the gobo from the gobo plate.
7. Insert a new gobo and hold in place with the expansion ring.
8. Slide the tip of the gobo plate under the pressure plate near the center of the gobo wheel.
9. Push the gobo plate inward. DO NOT force the gobo plate into the gobo wheel slot.

Note: If correctly installed, the gobo plate should easily snap into the gobo wheel slot.



Gobo Plate #1 contains a magnet used by the product for positioning purposes. When replacing gobos, be sure to return gobo plate #1 to position #1 on the wheel.

Mounting

Before mounting this product, read and follow the Safety Notes in the *Before You Begin* chapter of this manual.

Orientation

Always mount this product in any safe position while making sure that there is adequate room for ventilation, configuration, and maintenance.

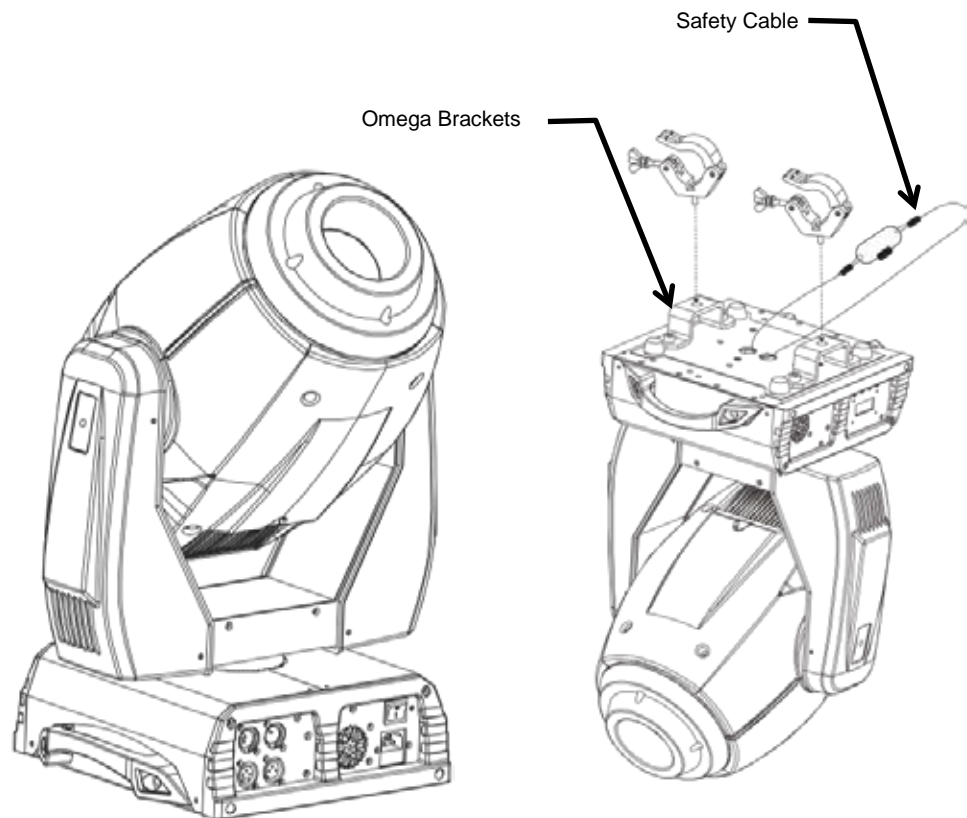
Rigging

CHAUVET® recommends following the general guidelines below when mounting this product.

- When selecting an installation location, consider easy access to this product for operation, programming adjustments, and routine maintenance.
- Make sure to mount this product away from any flammable material as indicated in the *Safety Notes* section.
- Never mount the product in places where rain, high humidity, extreme temperature changes, or restricted ventilation may affect it.
- If hanging this product, make sure that the mounting location can support the product's weight. Please see the *Technical Specifications* section of this manual for the weight requirement of this product.

Procedure

The Q-Spot™ 560-LED comes with two (2) omega brackets to which you can attach clamps. You must supply your own clamps. Make sure the clamps are capable of supporting the weight of this product. You must use two mounting points per unit.

Product Mounting Diagram**Floor Mounting****Overhead Mounting**

4. Operation

Control Panel Description

Button	Function
<MENU>	Exits from the current menu or function
<ENTER>	Enables the currently displayed menu or sets the currently selected value in to the current function
<UP>	Navigates upward through the menu list and increases the numeric value when in a function
<DOWN>	Navigates downward through the menu list and decreases the numeric value when in a function

Control Options

You can set the Q-Spot™ 560-LED start address in the 001~512 DMX range. This enables control of up to 30 units in the 17-channel **ADVANCED** personality.

Programming

Refer to the *Menu Map* to learn about the menu options. The *Menu Map* has a Menu Level and a variety of programming levels for each option.

- To go to an option in the Menu Level, press <MENU> repeatedly until the option shows on the display. Press <ENTER> to select. This will take you to the first programming level for that option.
- To select an option or value within the current programming level, press <UP> or <DOWN> until the option shows on the display. Press <ENTER> to select. In this case, if there is another programming level, you will see that first option or you will see the selected value.
- To exit to the previous menu level, press <MENU>.



In the EDIT menu, <UP> and <DOWN> will only change the value of the current option. To change to the next option, press <ENTER>.

1. Select DMX operation.
 - a) Go to **MENU > INTRO > RUN**.
 - b) Select **DMX 512**.
2. Select a DMX mode.
 - a) Go to **MENU > INTRO > PERSON**.
 - b) Select **BASIC** or **ADVANCED**.
3. Select the starting address.
 - a) Go to **MENU > INTRO > ADDRESS**.
 - b) Select a starting address, **001~496 (Advanced)** or **001~500 (Basic)**.

DMX Operation



The highest possible starting address for each DMX mode is as follows:

DMX Mode	DMX Address
Basic	500
Advanced	496

Stand-alone Operation

1. Go to **MENU > INTRO > RUN**.
2. Select a stand-alone operation mode (**AUTO 1, AUTO 2, CUSTOM, SOUND 1, SOUND 2, or TEST**).



Of all the stand-alone operation modes indicated above, only “CUSTOM” is editable (see Edit Custom).

Master/Slave

The Master/Slave mode enables one or more Q-Spot™ 560-LED products (the slaves) to simultaneously duplicate the output of another Q-Spot™ 560-LED (the master), without a DMX controller, whether in auto/custom or static modes,.

1. Set the master unit:
 - a) Select a stand-alone mode, as indicated above.
2. Set each of the slave units:
 - a) Go to **MENU > INTRO > RUN**.
 - b) Select **SLAVE**.



- **Do not connect a DMX controller to the master or slave products.**
- **The master unit should be the first unit in the DMX daisy chain.**

Display Mode

1. Go to **MENU > INTRO > DISPLAY**.
2. Select a display mode (**60 CLOSE** or **BRIGHT**).



- **When in the “60 CLOSE” setting, the LCD’s backlight will turn off after 60 s.**
- **When in the “BRIGHT” setting, the LCD’s backlight will stay on.**

Software Version

1. Go to **MENU > INTRO > INFO**.
2. The display will show **Edition**.
3. Press **<ENTER>** to see the installed software version.

Keylock

Locks or unlocks the product's display.

1. Go to **MENU > INTRO > KEYLOCK**.
2. Select **YES** or **NO**.



When Keylock is in the "YES" setting, you will have to enter the password after 30 seconds of control panel inactivity or each time you turn the product on.



The default (non-modifiable) password is <UP>, <DOWN>, <UP>, <DOWN>, and <ENTER>.

Reset

Reset all custom settings to their default values.

1. Go to **MENU > INTRO > RESET**.
2. Select **YES** or **NO**.

Dimmer Curve

This option defines the output speed when you modify the values of the dimmer faders. This setting provides you with four different options to simulate the dimming curve of an incandescent lighting product.

1. Go to **MENU > INTRO > DIMMER**.
2. Select **DIMMER 0~4**.



DIMMER 0: The output is proportional (linear) to the dimmer channel.

DIMMER 1~4: The output follows the dimmer channel values based on the corresponding dimmer curve, being **DIM1** the fastest and **DIM4** the slowest.

Fader Reversal

Define how the pan, tilt, and dimmer increase.

1. Go to **MENU > INVERT > PAN**.
2. Select a fader direction (**NORMAL** or **REVERSE**).
3. Go to **MENU > INVERT > TILT**.
4. Select a fader direction (**NORMAL** or **REVERSE**).
5. Go to **MENU > INVERT > DIMMER**.
6. Select a fader direction (**NORMAL** or **REVERSE**).
7. Go to **MENU > INVERT > USE**.
8. Select **YES** to activate the new settings or **NO** to stop using them.



- When in **NORMAL**, the pan, tilt, and dimmer values will increase as the position of the respective fader increases.
- When in **REVERSE**, the pan, tilt, and dimmer values will decrease as the position of the respective fader increases.

Range Limitation

Limit the pan or tilt range.

1. Go to **MENU > RANGE > P/START**.
2. Select the starting point for the limited pan (**000~255**).
3. Go to **MENU > RANGE > P/FINISH**.
4. Select the finishing point for the limited pan (**000~255**).
5. Go to **MENU > RANGE > T/START**.
6. Select the starting point for the limited tilt (**000~255**).
7. Go to **MENU > RANGE > T/FINISH**.
8. Select the finishing point for the limited tilt (**000~255**).
9. Go to **MENU > RANGE > USE**.
10. Select **YES** to activate the new settings or **NO** to stop using them.

Select how you reset the product, either using the DMX controller or from the control panel.

Reset Control

1. Go to **MENU > SPECIAL > RESET**.
2. Select **DMX** or **SYSTEM**.



DMX: Enables the DMX controller to reset the product (**Control** function).

SYSTEM: Restricts the reset function to the control panel.

Move-in Black

Activate or deactivate the move-in black 3-second delay.

1. Go to **MENU > SPECIAL > BLACKD**.
2. Select **YES** to enable the 3 seconds delay or **NO** to make the blackout immediate.

Loss of DMX Settings

Define response to a DMX failure.

1. Go to **MENU > SPECIAL > DMXERROR**.
2. Select **SAVE** to show the last look when DMX is lost or **BLAK** to make the product blackout immediately.

Fan Wait

Stop the fan during a blackout.

1. Go to **MENU > SPECIAL > FAN_WAIT**.
2. Select **ON** or **OFF**.

System Default

Default all product parameters to their default values.

1. Go to **MENU > EXTRA**.
2. Press **<ENTER>** (**PASSWORD**) will show on the display.
3. Press **<ENTER>** (******** will show on the display).
4. Enter the password, as explained in **Keylock**.
5. Use **<UP>** to select **DEFAULT**.
6. Press **<ENTER>** (**NO** will show on the display).
7. Select **YES** and press **<ENTER>** to default the product or press **<MENU>** to exit.

Edit Custom

Program up to 255 steps in a single custom program.

1. Go to **MENU > EDIT**.
2. Press **<ENTER>** to go to **STEP**.
3. Press **<ENTER>** to select a value. The current value (**001~255**) will show on the LCD.
4. Press **<UP>** or **<DOWN>** to select a new value.
5. Press **<ENTER>** to accept the value.
6. Press **<ENTER>** to go to **PAN**.
7. Repeat steps "1" through "6" for **TILT, SPEED, COLOR, GOBO1, GOBO2, GOBO2ROT, PRISM, PRISMT, IRIS, FOCUS, DIMMER, STROBE, and TIME**.
8. Press **<ENTER>** to go to **USE**.
9. Select **YES** to save the settings for this step or **NO** to delete them.
10. Repeat steps "3" to "8" for the other steps.



The product will execute all the steps in the CUSTOM program and stop.

To make the product start over, add a last step whose duration is 0 seconds.

Example:

Step 1:	Time = 5	Use = Yes	
Step 2:	Time = 4	Use = Yes	
Step 3:	Time = 6	Use = Yes	
Step 4:	Time = 0	Use = Yes	(This step creates a loop)
Step 5:	Time = 0	Use = No	} (Unused steps)
↓	↓	↓	
↓	↓	↓	
▼	▼	▼	
Step 255	Time = 0	Use = No	

Menu Map

Main Level	Programming Levels		Description
INTRO	ADDRESS	001~512	Selects a starting DMX address
	RESET	YES	Resets the product's custom settings
		NO	
	RUN	DMX512	Selects DMX512-A running mode
		AUTO 1	Selects the first automatic program
		AUTO 2	Selects the second automatic program
		SOUND 1	Selects the first sound activated program
		SOUND 2	Selects the second sound program
		CUSTOM	Selects the user customizable program
		TEST	Selects the fixture's test sequence
		SLAVE	Selects the Slave running mode
	PERSON	BASIC	Selects the 13-channel DMX mode
		ADVANCED	Selects the 17-channel DMX mode
	DISPLAY	60 CLOSE	Turns off the display after 60 s
		BRIGHT	Keeps the display on
	KEYLOCK	YES	Activates the control panel password
		NO	
DIMMER	DIMMER 0	Linear dimmer	
	DIMMER 1	Slow (DIM 4) to fast (DIM1) dimmer curves	
	DIMMER 2		
	DIMMER 3		
	DIMMER 4		
INFO	EDITION VERSION NUMBER	Shows the version of the installed S/W	
INVERT	PAN	NORMAL	Defines the direction of the pan function
		REVERSE	
	TILT	NORMAL	Defines the direction of the tilt function
		REVERSE	
	DIMMER	NORMAL	Defines the direction of the dimmer function
REVERSE			
USE	YES	Activates the changes	
NO			
RANGE	P/START	000~255	Sets the pan start point (restricted range)
	P/FINISH		Sets the pan end point (restricted range)
	T/START		Sets the tilt start point (restricted range)
	T/FINISH		Sets the tilt end point (restricted range)
	USE	YES	Activates the changes
NO			
SPECIAL	BLACKD	YES	Activates the move-in black delay (3 s)
		NO	
	RESET	DMX	The DMX controller can reset the product
		SYSTEM	The control panel can reset the product
	FAN_WAIT	ON	Forces the fan to stop during a blackout
		OFF	
	DMXERROR	SAVE	Save the last look when DMX is lost
BLAK		Goes to black when DMX is lost	

Continued on next page

Main Level	Programming Levels		Description
EDIT	STEP	000~255	Selects the program step
	PAN		Selects the pan position
	TILT		Selects the tilt position
	SPEED		Selects the pan/tilt speed
	COLOR		Selects the color wheel position
	GOBO1		Selects the fixed gobo wheel position
	GOBO2		Selects the rotating gobo wheel position
	GOBO2ROT		Selects the gobo rotation mode
	PRISM		Selects the prism rotation mode
	PRISMT		Selects the prism rotation fine adjustment
	IRIS		Selects the iris position
	FOCUS		Selects the focus position
	DIMMER		Selects the dimmer value
	STROBE		Selects the strobe frequency and mode
	TIME		Selects the step duration
USE	YES	Activates the changes	
	NO		
Extra	Password	****	Opens the Default menu level
Default	Default	YES	Sets unit back to default factory settings
		NO	

DMX Values

Basic	Channel	Function	Value	Percent/Setting
	1	Pan	000 ó 255	0~540°
	2	Tilt	000 ó 255	0~270°
	3	Color wheel	000 ó 009 010 ó 019 020 ó 029 030 ó 039 040 ó 049 050 ó 059 060 ó 069 070 ó 079 080 ó 099 100 ó 119 120 ó 139 140 ó 159 160 ó 179 180 ó 199 200 ó 219 220 ó 255	No Function Red Green Yellow Blue Orange Magenta Light Blue Light Blue/Magenta Magenta/Orange Orange/Blue Blue/Yellow Yellow/Green Green/Red Red/Open Rainbow or Linear Effect
	4	Gobo Wheel 1	000 ó 010 011 ó 020 021 ó 030 031 ó 040 041 ó 050 051 ó 060 061 ó 070 071 ó 080 081 ó 095 096 ó 110 111 ó 125 126 ó 140 141 ó 155 156 ó 170 171 ó 185 186 ó 255	No gobo Gobo 1 Gobo 2 Gobo 3 Gobo 4 Gobo 5 Gobo 6 Gobo 7 Shaking gobo 7 Shaking gobo 6 Shaking gobo 5 Shaking gobo 4 Shaking gobo 3 Shaking gobo 2 Shaking gobo 1 Flow effect
	5	Gobo Wheel 2	000 ó 010 011 ó 020 021 ó 030 031 ó 040 041 ó 050 051 ó 060 061 ó 070 071 ó 085 086 ó 100 101 ó 115 116 ó 130 131 ó 145 146 ó 160 161 ó 255	No gobo Gobo 1 Gobo 2 Gobo 3 Gobo 4 Gobo 5 Gobo 6 Shaking gobo 6 Shaking gobo 5 Shaking gobo 4 Shaking gobo 3 Shaking gobo 2 Shaking gobo 1 Flow effect
	6	Gobo Wheel 2 Rotation	000 ó 060 061 ó 150 151 ó 165 166 ó 255	360° Indexing Clockwise Rotation ~ Slow to Fast No Function Counter-Clockwise Rotation ~ Slow to Fast

Continues on the next page

Basic (Cont.)	Channel	Function	Value	Percent/Setting
	7	Prism	000 ó 009	No Function
			010 ó 039	Prism
			040 ó 049	Effect1
			050 ó 059	Effect2
			060 ó 069	Effect3
			070 ó 079	Effect4
			080 ó 089	Effect5
			090 ó 099	Effect6
			100 ó 109	Effect7
			110 ó 119	Effect8
			120 ó 129	Effect9
			130 ó 139	Effect10
			140 ó 149	Effect11
			150 ó 159	Effect12
			160 ó 169	Effect13
			170 ó 179	Effect14
	180 ó 189	Effect15		
	190 ó 199	Effect16		
	200 ó 209	Effect17		
	210 ó 219	Effect18		
	220 ó 229	Effect19		
	230 ó 239	Effect20		
	240 ó 255	Prism		
	8	Prism Rotation	000 ó 009	No Function
			010 ó 119	Clockwise rotate ~ slow to fast
			120 ó 129	No Function
			130 ó 255	Counter-clockwise rotation ~ slow to fast
	9	Iris	000 ó 199	Linear Iris
			200 ó 209	Iris Effect1
			210 ó 219	Iris Effect2
			220 ó 229	Iris Effect3
			230 ó 239	Iris Effect4
			240 ó 255	Random
	10	Focus	000 ó 255	0~100%
	11	Dimmer	000 ó 255	0~100%
	12	Strobe	000 ó 031	Close
			032 ó 063	Open
			064 ó 095	Strobe 0~20Hz
			096 ó 127	Open
			128 ó 159	Pulse Effect
			160 ó 191	Open
			192 ó 223	Random Effect
			224 ó 255	Open

Continues on the next page

Basic (Cont.)	Channel	Function	Value	Percent/Setting
		13	Control	000 ó 019 020 ó 039 040 ó 059 060 ó 139 140 ó 149 150 ó 159 160 ó 169 170 ó 179 180 ó 189 190 ó 199 200 ó 219 220 ó 235 236 ó 239 240 ó 243 244 ó 247 248 ó 251 252 ó 255

Advanced	Channel	Function	Value	Percent/Setting
		1	Pan	000 ó 255
	2	Pan Fine	000 ó 255	Fine movement control
	3	Tilt	000 ó 255	0~270°
	4	Tilt Fine	000 ó 255	Fine movement control
	5	Pan/Tilt Speed	000 ó 255	Fast~Slow
	6	Color wheel	000 ó 009 010 ó 019 020 ó 029 030 ó 039 040 ó 049 050 ó 059 060 ó 069 070 ó 079 080 ó 099 100 ó 119 120 ó 139 140 ó 159 160 ó 179 180 ó 199 200 ó 219 220 ó 255	No Function Red Green Yellow Blue Orange Magenta Light Blue Light Blue/Magenta Magenta/Orange Orange/Blue Blue/Yellow Yellow/Green Green/Red Red/Open Rainbow or Linear Effect
	7	Gobo Wheel 1	000 ó 010 011 ó 020 021 ó 030 031 ó 040 041 ó 050 051 ó 060 061 ó 070 071 ó 080 081 ó 095 096 ó 110 111 ó 125 126 ó 140 141 ó 155 156 ó 170 171 ó 185 186 ó 255	No gobo Gobo 1 Gobo 2 Gobo 3 Gobo 4 Gobo 5 Gobo 6 Gobo 7 Shaking gobo 7 Shaking gobo 6 Shaking gobo 5 Shaking gobo 4 Shaking gobo 3 Shaking gobo 2 Shaking gobo 1 Flow effect

Continues on the next page

**Advanced
(Cont.)**

Channel	Function	Value	Percent/Setting
8	Gobo Wheel 2	000 ó 010	No gobo
		011 ó 020	Gobo 1
		021 ó 030	Gobo 2
		031 ó 040	Gobo 3
		041 ó 050	Gobo 4
		051 ó 060	Gobo 5
		061 ó 070	Gobo 6
		071 ó 085	Shaking gobo 6
		086 ó 100	Shaking gobo 5
		101 ó 115	Shaking gobo 4
		116 ó 130	Shaking gobo 3
		131 ó 145	Shaking gobo 2
		146 ó 160	Shaking gobo 1
		161 ó 255	Flow effect
9	Gobo Wheel 2 Rotation	000 ó 060	360° Indexing
		061 ó 150	Clockwise Rotation ~ Slow to Fast
		151 ó 165	No Function
		166 ó 255	Counter-Clockwise Rotation ~ Slow to Fast
10	Prism	000 ó 009	No Function
		010 ó 039	Prism
		040 ó 049	Effect1
		050 ó 059	Effect2
		060 ó 069	Effect3
		070 ó 079	Effect4
		080 ó 089	Effect5
		090 ó 099	Effect6
		100 ó 109	Effect7
		110 ó 119	Effect8
		120 ó 129	Effect9
		130 ó 139	Effect10
		140 ó 149	Effect11
		150 ó 159	Effect12
		160 ó 169	Effect13
		170 ó 179	Effect14
		180 ó 189	Effect15
		190 ó 199	Effect16
		200 ó 209	Effect17
		210 ó 219	Effect18
220 ó 229	Effect19		
230 ó 239	Effect20		
240 ó 255	Prism		
11	Prism Rotation	000 ó 009	No Function
		010 ó 119	Clockwise rotate ~ slow to fast
		120 ó 129	No Function
		130 ó 255	Counter-clockwise rotation ~ slow to fast
12	Iris	000 ó 199	Linear Iris
		200 ó 209	Iris Effect1
		210 ó 219	Iris Effect2
		220 ó 229	Iris Effect3
		230 ó 239	Iris Effect4
		240 ó 255	Random
13	Focus	000 ó 255	0~100%
14	Focus Fine	000 ó 255	Fine movement control
15	Dimmer	000 ó 255	0~100%

Continues on the next page

**Advanced
(Cont.)**

16	Strobe	000 ó 031	Close
		032 ó 063	Open
		064 ó 095	Strobe 0~20Hz
		096 ó 127	Open
		128 ó 159	Pulse Effect
		160 ó 191	Open
		192 ó 223	Random Effect
		224 ó 255	Open
17	Control	000 ó 019	Dim setting as set in product
		020 ó 039	Pan/tilt black activation
		040 ó 059	Pan/tilt black deactivation
		060 ó 139	No Function
		140 ó 149	Auto program 1 (3 s activation delay)
		150 ó 159	Auto program 2 (3 s activation delay)
		160 ó 169	Test (3 s activation delay)
		170 ó 179	Custom program (3 s activation delay)
		180 ó 189	Sound1
		190 ó 199	Sound2
		200 ó 219	Reset (3 s activation delay)
		220 ó 235	No Function
		236 ó 239	DIM0 (3 s activation delay)
		240 ó 243	DIM1 (3 s activation delay)
		244 ó 247	DIM2 (3 s activation delay)
		248 ó 251	DIM3 (3 s activation delay)
252 ó 255	DIM4 (3 s activation delay)		

5. Technical Information

Product Maintenance

To maintain optimum performance and minimize wear, the user should clean this product frequently. Usage and environment are contributing factors in determining the cleaning frequency.

As a rule, you should clean this product at least twice a month. Dust build up reduces light output performance and can cause overheating. This can lead to reduced light source life and increased mechanical wear.

To clean a product, follow the recommendations below:

- Unplug the unit from power.
- Wait until the unit has cooled.
- Use a vacuum (or dry compressed air) and a soft brush to remove dust collected on the external vents and accessible internal components.
- Clean all external glass lenses with a mild solution of non-ammonia glass cleaner or isopropyl alcohol.
- Apply the solution directly to a soft, lint-free cotton cloth or a lens cleaning tissue.
- Drag any dirt or grime to the outside of the glass lens.
- Gently polish the glass lens until it is free of haze and lint.



Always dry the external glass lens carefully after cleaning it.



Refrain from spinning this product's fans using compressed air.

Troubleshooting Guide

Symptom	Cause(s)	Action(s)
Product does not light up	Dimmer fader set to "0" color fader set to "0" All colors in CUSTOM mode are set to "0" No power Faulty internal power supply Faulty main control board	Increase the value of the dimmer channel Increase the value of the color channel Increase the values of the colors Verify external power circuit and wiring Send unit for repair
Continuous gobo rotation	Gobo plate #1 missing or in wrong location	Verify Gobo plate #1 is correctly installed
One of the LEDs does not work	Faulty LED Faulty LED module Faulty LED driver	Send unit for repair
Circuit breaker/fuse keeps tripping/blowing	Excessive circuit load Short circuit along the power wires	Reduce total load placed on the electrical circuit Check electrical wiring
Unit does not power up	No power Loose or damaged power cord Blown fuse Faulty internal power supply	Check for voltage on outlet Check power cord Replace fuse Send unit for repair
Unit does not respond to wired DMX or responds erratically	Wrong DMX addressing Damaged DMX cables Wrong polarity on the controller Loose DMX cables Non DMX cables Bouncing signals Long cable / low level signal Too many units Interference from AC wires Faulty DMX interface board Faulty Display/Main board	Check unit addressing Check DMX cables Check polarity switch settings on the controller Check cable connections Use only DMX compatible cables Install terminator as suggested Install an optically coupled DMX splitter before a long section of cable or right after the unit with the strong signal Install an optically coupled DMX splitter after unit #32 Keep DMX cables separated from power cables or fluorescent/black lights Send unit for repair Send unit for repair



If you still experience technical problems after trying the above solutions or if you need to send the unit for repair, contact CHAUVET® Technical Support.

Returns Procedure

You must send the merchandise prepaid, in the original box, and with its original packing and accessories. CHAUVET® will not issue call tags.

Call CHAUVET® and request a Return Merchandise Authorization (RMA) number before shipping the product. Be prepared to provide the model number, serial number, and a brief description of the cause for the return.

Clearly label the package with a Return Merchandise Authorization (RMA) number. CHAUVET® will refuse any product returned without an RMA number.



DO NOT write the RMA number directly on the box. Instead, write it on a properly affixed label.

Once you have received the RMA number please include the following information on a piece of paper inside the box:

- Your name
- Your address
- Your phone number
- The RMA number
- A brief description of the problem

Be sure to pack the product properly. Any shipping damage resulting from inadequate packaging will be the customer's responsibility. As a suggestion, proper FedEx packing or double-boxing is the method CHAUVET® recommends.



CHAUVET® reserves the right to use its own discretion to repair or replace returned product(s).

Contact Us

World Headquarters

CHAUVET®

General Information

Address: 5200 NW 108th Avenue
Sunrise, FL 33351
Voice: (954) 929-1115
Fax: (954) 929-5560
Toll free: (800) 762-1084

Technical Support

Voice: (954) 929-1115 (Press 4)
Fax: (954) 756-8015
Email: tech@chauvetlighting.com

World Wide Web

www.chauvetpro.com

United Kingdom & Ireland

CHAUVET® Europe Ltd.

General Information

Address: Unit 1C
Brookhill Road Industrial Estate
Pinxton, Nottingham, UK
NG16 6NT
Voice: +44 (0)1773 511115
Fax: +44 (0)1773 511110

Technical Support

Email: uktech@chauvetlighting.com

World Wide Web

www.chauvetlighting.co.uk

Technical Specifications

Dimensions and Weight	Length	Width	Height	Weight
	11.7 in (296 mm)	16.1 in (408 mm)	25.0 in (634 mm)	44.1 lbs (20.0 kg)
Note: Dimensions in inches rounded to the nearest decimal digit.				
Electrical	Power Supply Type	Range	Voltage Selection	
	Switching (internal)	100~240 V, 50/60 Hz	Auto-ranging	
	Parameter	120 V, 60 Hz	230 V, 50 Hz	
	Consumption	318 W	302 W	
	Operating	2.60 A	1.30 A	
	Fuse	T5 A, 250 V	T5 A, 250 V	
Light Source	Power I/O	US/Worldwide	Europe	
	Power input connector	IEC	IEC	
	Power output connector	N/A	N/A	
	Power cord plug	Edison (US)	Local plug	
Photo Optic	Type	Power	Lifespan	
	LED	60 W	50,000 hours	
	Color	Quantity	Current	
	White	3	14 A	
Head Movement	Parameter	Standard Optics		
	Illuminance @ 5 m	1,929 lux		
	Beam angle	19°		
	Field angle	N/A°		
Gobos	Pan Range	Tilt Range	Fine Adjustment Option	
	0~540°	0~270°	Yes (Advanced Mode)	
Thermal	Gobo 1 External Diameter	Image Diameter	Thickness	
	35.8 mm	31.78 mm	1.0 mm max.	
	Gobo 2 External Diameter	Image Diameter	Thickness	
	32.5 mm	27 mm	1.0 mm max.	
DMX	Max. External Temperature	Cooling System		
	104° F (40° C)	Fan Cooled		
Ordering	I/O Connectors	Connector Type	Channel Range	
	3- and 5-pin XLR	Sockets	13,17	
Ordering	Product Name	Item Code	Item Number	
	Q-Spot 560-LED	01620436	QSPOT560LED	



CONFORMS TO
UL STD. 1573
CERTIFIED TO
CSA STD. C22.2
No. 166

3144482

CHAUVET®
5200 NW 108th Avenue
Sunrise, FL 33351 (USA)
(800) 762-1084 – (954) 929-1115
FAX (954) 929-5560
www.chauvetpro.com

Q-Spot™ 560-LED User Manual Rev. 08
January 2013



It's Green Thinking