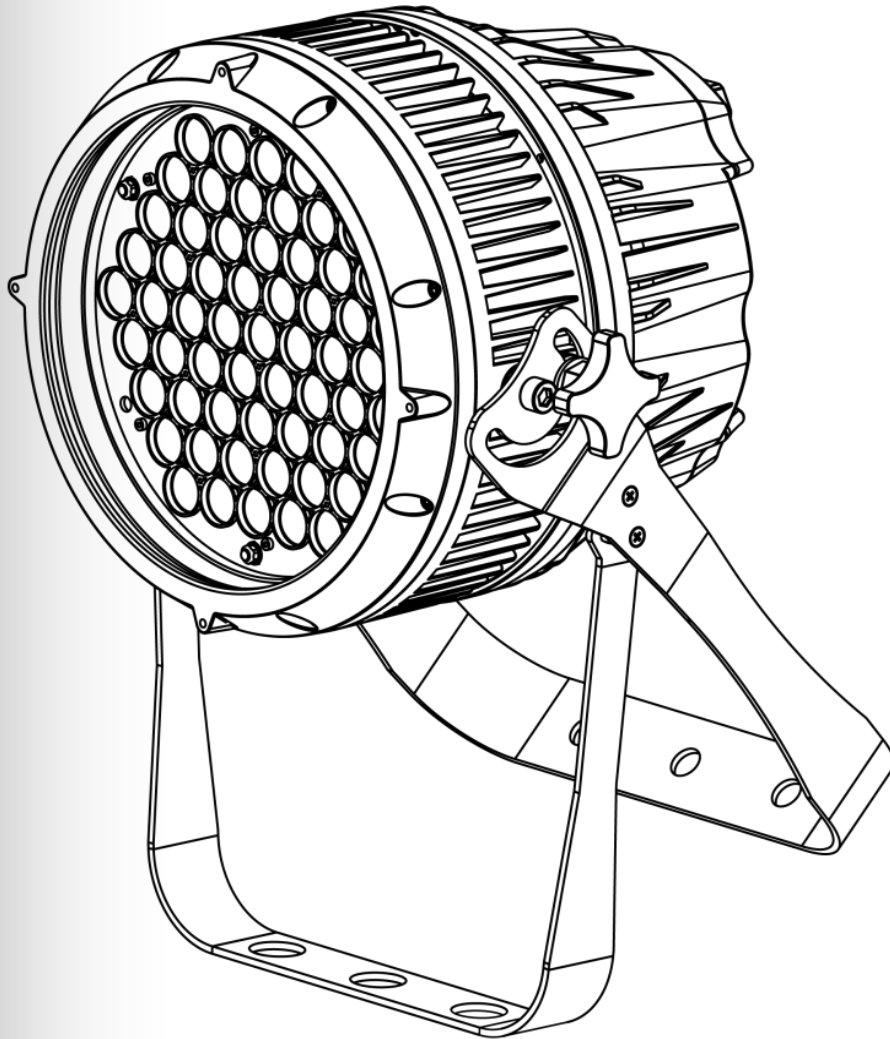


COLORADO™ 2 ZOOM TOUR

User Manual



CHAUVET
PROFESSIONAL®

It's Green Thinking®

Edition Notes

The COLORado™ 2 Zoom Tour User Manual Rev. 01 covers the description, safety precautions, installation, programming, operation, and maintenance of the COLORado™ 2 Zoom Tour. Chauvet released this edition of the COLORado™ 2 Zoom Tour User Manual in November 2014.

Trademarks

CHAUVET® is a registered trademark of CHAUVET & Sons Inc. (d/b/a CHAUVET® or Chauvet). The CHAUVET® logo in its entirety including the CHAUVET® name and the dotted triangle, and all other trademarks in this manual pertaining to services, products, or marketing statements (example: It's Green Thinking™) are owned or licensed by CHAUVET®. Any other product names, logos, brands, company names, and other trademarks featured or referred to within this document are the property of their respective trademark holders.

Copyright Notice

CHAUVET® owns the content of this User Manual in its entirety, including but not limited to pictures, logos, trademarks, and resources.

© **Copyright 2014 Chauvet. All rights reserved.**

Electronically published by CHAUVET® in the United States of America.

Manual Usage

Chauvet authorizes its customers to download and print this manual for professional information purposes only. Chauvet expressly prohibits the usage, copy, storage, distribution, modification, or printing of this manual or its content for any other purpose without written consent from Chauvet.

Document Printing

For better results, print this document in color, on letter size paper (8.5 x 11 in), double-sided. If using A4 paper (210 x 297 mm), configure your printer to scale the content accordingly.

Intended Audience

Any person in charge of installing, operating, and/or maintaining this product should completely read through the guide that shipped with the product, as well as this manual, before installing, operating, or maintaining this product.

Disclaimer

Chauvet believes that the information contained in this manual is accurate in all respects. However, Chauvet assumes no responsibility for any errors or omissions in this document. Chauvet reserves the right to revise and make changes to the content of this document without obligation that Chauvet notify any person or company of such revision or changes. This does not in any way constitute a commitment by Chauvet to make such changes. Chauvet may issue a revision of this manual or a new edition to incorporate such changes.

Document Revision

The COLORado™ 2 Zoom Tour User Manual Rev. 01 supersedes all previous versions of this manual. Discard any older versions of this manual you may have, whether in printed or electronic format, and replace with this version.

Author	Date	Editor	Date
D. Coupe	2/13/12	S. Graham	2/14/12

Table of Contents

- 1. Before You Begin 1**
 - What Is Included 1
 - Unpacking Instructions 1
 - Claims 1
 - Typographic Conventions 1
 - Icon Indications 1
 - Product at a Glance 1
 - Safety Notes 2
 - Personal Safety 2
 - Mounting and Rigging 2
 - Power and Wiring 2
 - Operation 2
 - Expected LED Lifespan 2
- 2. Introduction 3**
 - Product Description 3
 - Features 3
 - Additional Features 3
 - Product Overview 4
 - Product Dimensions 5
- 3. Setup 6**
 - AC Power 6
 - AC Plug 6
 - Power Linking 6
 - DMX Linking 7
 - DMX Modes 7
 - Master/Slave Connectivity 7
 - Mounting 8
 - Orientation 8
 - Rigging 8
- 4. Operation 9**
 - Control Panel Description 9
 - Control Options 9
 - Programming 9
 - DMX Personality 9
 - DMX Control 10
 - Loss of Signal Setting 10
 - Zoom Limit Setting 10
 - Static Color 11
 - Auto Programs 11
 - Edit Customs 11
 - Master/Slave 11
 - Color Settings 12
 - Dimmer Curves 12
 - Control Panel Lock 12
 - Program Upload 13
 - Reset 14
 - Whites Setting 14
 - White Calibration 14
 - TOUR Notes 15
 - Master Dimmer 15
 - Red, Green, Blue, and White Color Selection 15
 - Color Macros 15
 - Strobe 15

Auto/Custom.....	15
Dimmer Speed.....	15
Zoom Selection.....	15
Zoom Reset.....	15
Menu Map	16
DMX Values	18
TOUR	18
TOUR (cont.).....	19
ARC1.....	19
AR1.D.....	19
ARC.2.....	19
AR2.D.....	19
AR2.S.....	19
HSV.....	19
5. Technical Information.....	20
Product Maintenance	20
Troubleshooting Guide.....	21
Returns Procedure	22
Contact Us	22
Technical Specifications	23

1. Before You Begin

What Is Included

- One COLORado™ 2 Zoom Tour
- One Neutrik® powerCON® Power Cable
- One Accessory Holder
- One Gel Frame
- One Warranty Card
- One Quick Reference Guide
- One Safety Cable

Unpacking Instructions

Immediately upon receiving this product, carefully unpack the items and inspect the container. Make sure you have received all the parts indicated above and that all the parts are in good condition.

Claims

If the container or the material inside the container (the product and included accessories) appear damaged from shipping, or show signs of mishandling, notify the carrier immediately upon receipt, not Chauvet. Failure to notify the carrier in a timely manner may invalidate your claim. In addition, keep the container and all the packing material for inspection.

For other issues such as missing components or parts, damage not related to shipping, or concealed damage, file a claim with Chauvet within 7 days of receiving the merchandise. Refer to the [Contact Us](#) section for addresses and phone numbers.

Typographic Conventions

Convention	Meaning
1~512	A range of values in the text
50/60	A set of mutually exclusive values in the text
<i>Claims</i>	A new term, another document reference, or section or chapter in this document
<SET>	A button on the product's control panel
Settings	A product function or a menu option
MENU > Settings	A sequence of menu options
1~10	A range of menu values from which to choose in a menu
Yes/No	A set of two mutually exclusive menu options in a menu
ON	A unique value to be entered or selected in a menu

Icon Indications

Icon	This icon indicates . . .
	Critical installation, configuration, or operation information. Failure to comply with this information may render the product partially or completely inoperative, damage third-party equipment, or cause harm to the user.
	Important installation or configuration information. Failure to comply with this information may prevent the product from functioning correctly.
	Useful information.



Product at a Glance

The term “DMX” used throughout this manual refers to the USITT DMX512-A digital data transmission protocol.

Use on Dimmer	X	Auto Programs	P
Outdoor Use	X	Auto-Ranging Power Supply	P
Sound Activated	X	Replaceable Fuse	X
DMX	P	User Serviceable	X
Master/Slave	P	Duty Cycle	X

Safety Notes

Read all the following Safety Notes before working with this product. These notes include important information about the installation, usage, and maintenance of this product.



There are no user-serviceable parts in this product. Any reference to servicing in this User Manual applies only to properly certified Chauvet technicians. Do not open the housing or attempt any repairs unless you are certified by Chauvet.



Please refer to all applicable local codes and regulations for proper installation of this product.

Personal Safety

- Avoid direct eye exposure to the light source while the product is on.
- Always disconnect this product from its power source before servicing.
- Always connect this product to a grounded circuit to avoid the risk of electrocution.
- Do not touch this product's housing during operation because it may be very hot.

Mounting and Rigging

- This product is for indoor use only! To prevent risk of fire or shock, do not expose this product to rain or moisture.
- CAUTION: When transferring product from extreme temperature environments, (e.g. cold truck to warm humid ballroom) condensation may form on the internal electronics of the product. To avoid causing a failure, allow product to fully acclimate to the surrounding environment before connecting it to power.
- This product weighs 18.5 lbs (8.39 kg). Always ask for help when mounting this product to avoid personal injuries or damage to the product.
- Make sure there are no flammable materials close to this product while it is operating.
- When hanging this product, always secure to a fastening device using a safety cable (included).

Power and Wiring

- Always make sure you are connecting this product to the proper voltage in accordance with the specifications in this manual or on the product's specification label.
- Never connect this product to a dimmer pack or rheostat.
- Never disconnect this product by pulling or tugging on the power cable.

Operation

- Do not operate this product if you see damage on the housing, lenses, or cables. Have the damaged parts replaced by an authorized technician at once.
- To eliminate unnecessary wear and improve its lifespan, during periods of non-use completely disconnect the product from power via breaker or by unplugging it.
- Do not cover the ventilation slots when operating to avoid internal overheating.
- The maximum ambient temperature is 104° F (40° C). Do not operate this product at a higher temperature.
- In case of a serious operating problem, stop using this product immediately!



Expected LED Lifespan

In the unlikely event that your Chauvet product may require service, contact Chauvet Technical Support.

LEDs gradually decline in brightness over time, mostly because of heat. Using clustered LEDs (as present in this fixture) at their fullest intensity significantly reduces the LEDs' lifespan. Under normal conditions, this lifespan can be 40,000–50,000 hours. If extending this lifespan is vital, lower the operating temperature by improving the ventilation around the product and reducing the ambient temperature to an optimal operating range. In addition, limiting the overall projection intensity may also help to extend the LEDs' lifespan.

2. Introduction

Product Description

The COLORado™ 2 Zoom Tour is an RGBW LED wash product with color mixing and zoom control. This product consists of a single module that houses the internal power supply, the control panel, the LED drivers, the LED boards, and motorized moving lenses, as well as the power and signal connectors. The COLORado™ 2 Zoom Tour features a variable zoom, which enables the user to change the beam angle of the unit via DMX or control panel, and one double bracketed-yoke that can serve as a floor mount or hanging support bracket.

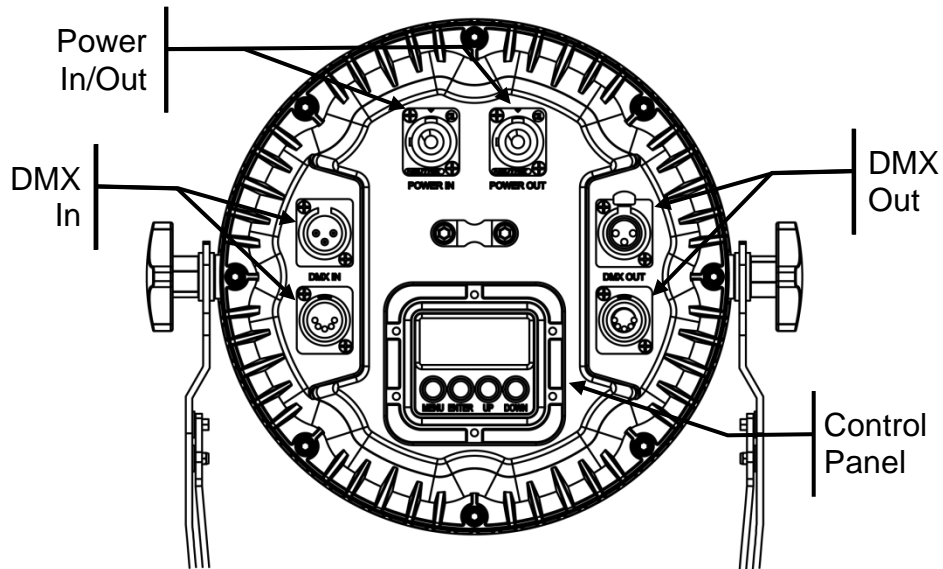
Features

- 3, 4, 5, 6, or 12-channel RGBW LED wash product
- Operating modes:
 - 3-channel: RGB
 - 3-channel: HSV
 - 4-channel: Dimmer, RGB
 - 4-channel: RGBW
 - 5-channel: Dimmer, RGBW
 - 6-channel: Dimmer, RGBW, strobe
 - 12-channel: Dimmer, RGBW, color macro, strobe, auto/custom, auto speed, dimmer speed, zoom, zoom reset
- RGBW color mixing and zoom control with or without DMX control
- 7.7°~35° zoom control with or without DMX control
- Built-in automated programs via master/slave or DMX
- Recall custom programs via master/slave or DMX
- Electronic dimmer
- Color macros with speed adjustment included
- Electronic power supply
- Double-bracketed yoke doubles as floor stand
- Color calibration
- Flicker-free operation for HD Video

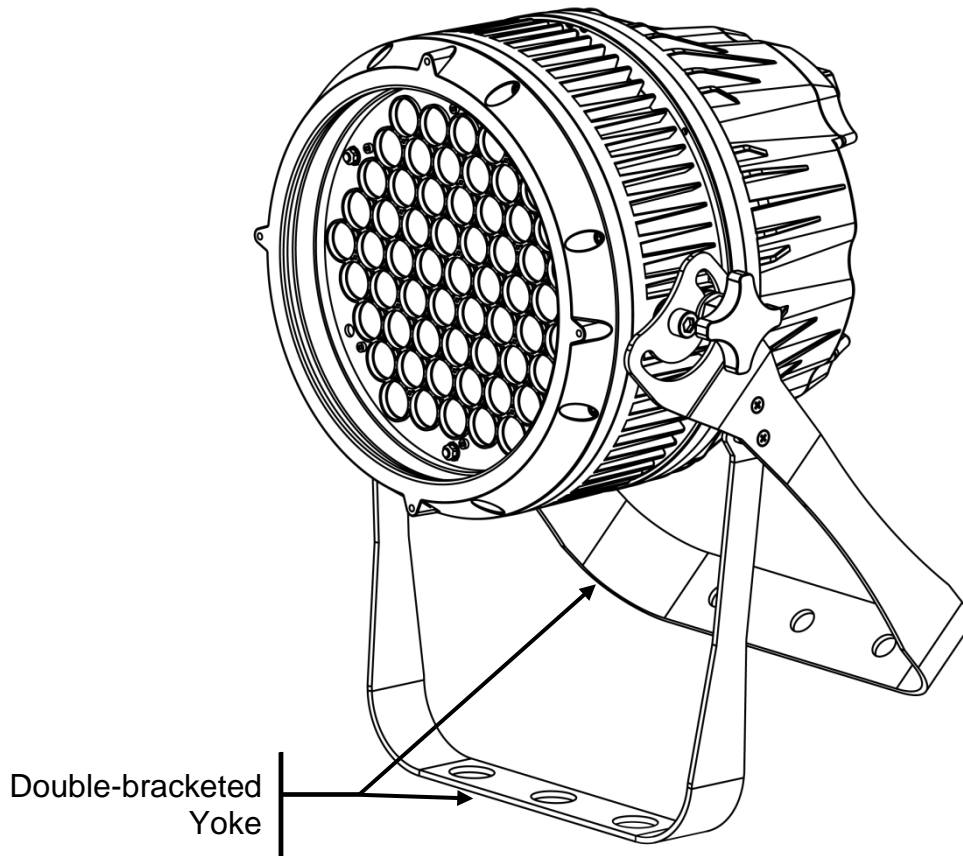
Additional Features

- Five distinct dimming curves
- Additional power output: 7 products @ 120 V (max.)/15 products @ 230 V (max.)
- Neutrik® powerCON® connectors
- 3- and 5-pin DMX input and output connectors
- LED display with password protection
- Gel frame holder (4 mm max thickness)

Product Overview

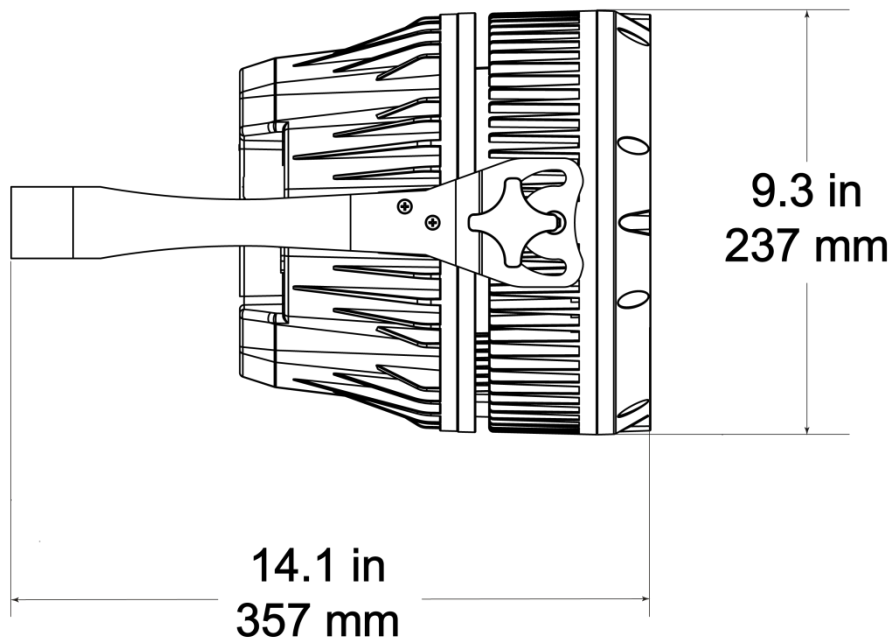
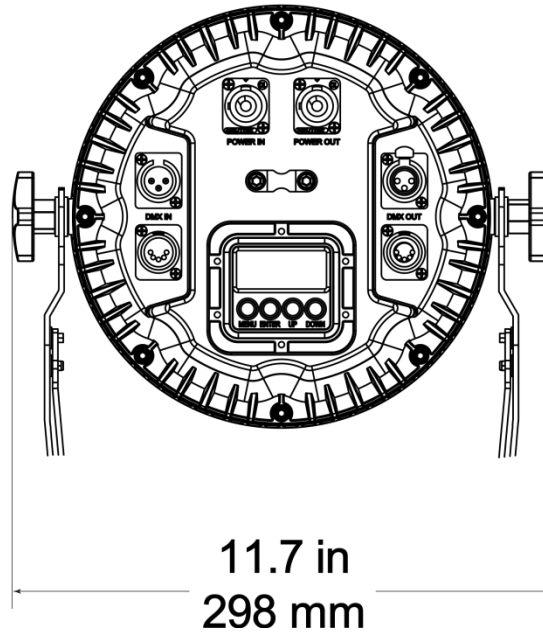


Back View



Front/Side View

Product Dimensions



3. Setup

AC Power

The COLORado™ 2 Zoom Tour has an auto-ranging power supply that can work with an input voltage range of 100~240 VAC, 50/60 Hz.

Make sure that you are connecting this product to the proper voltage, as per the specifications in this manual or on the product's sticker.

To determine the power requirements for the COLORado™ 2 Zoom Tour, refer to the specification label affixed to the product or the [Technical Specifications](#) in this manual.



Always connect this product to a protected circuit with an appropriate electrical ground to avoid the risk of electrocution or fire.

The listed current rating indicates the maximum current draw during normal operation. For more information, download the document *Sizing Circuit Breakers* from the Chauvet website: www.chauvetpro.com.



Never connect this product to a rheostat (variable resistor) or dimmer circuit, even if the rheostat or dimmer channel serves only as a 0% to 100% switch.

AC Plug

The COLORado™ 2 Zoom Tour comes with a power input cord terminated with a Neutrik® powerCON® connector on one end and an Edison plug on the other end (U.S. market). If the power input cord that came with your product has no plug, or if you need to change the Edison plug, use the table below to wire the new plug.

Connection	Wire (US)	Wire (Europe)	Screw Color
AC Live	Black	Brown	Yellow or Brass
AC Neutral	White	Blue	Silver
AC Ground	Green/Yellow	Green/Yellow	Green

Power Linking

The COLORado™ 2 Zoom Tour supports power linking. You can power link up to 7 products at 120 VAC, thirteen (13) products @ 208 VAC, or 15 products @ 230 VAC.

This product comes with a power input cord. This product does not come with a power linking cable; however, a power linking cable is available as an option.

DMX Linking

You can link the COLORado™ 2 Zoom Tour to a DMX controller using a standard DMX serial connection. If using other DMX compatible products with the COLORado™ 2 Zoom Tour, you can control each one individually with a single DMX controller.

DMX Modes

The COLORado™ 2 Zoom Tour uses the standard DMX data connection for the **TOUR**, **ARC.1**, **AR1.D**, **ARC2**, **AR2.D**, **AR2.S**, and **HSV** DMX modes.

Refer to the [Introduction](#) chapter for a brief description of these modes.

Refer to the [Operation](#) chapter to learn how to configure the COLORado™ 1 Quad Tour to work in these modes.

The [DMX Values](#) section will provide you with detailed information regarding the DMX modes.

Master/Slave Connectivity

The Master/Slave mode allows a COLORado™ 2 Zoom Tour (the “master product”) to control one or more COLORado™ 2 Zoom Tours (the “slave products”) without a DMX controller. One COLORado™ 2 Zoom Tour becomes the master product when running an Auto or Custom program, or by being in static (**STAT**) mode.

You must configure each slave product’s control panel to operate in slave (**SLAV**) mode. During Master/Slave operation, the slave products will operate in unison with the master product.



If you are not familiar with or need more information about DMX standards, Master/Slave connectivity, or the DMX cables needed to link this product to a DMX controller, download the DMX Primer from www.chauvetpro.com.



DO NOT connect a DMX controller to products operating in Master/Slave mode. The DMX controller signals may interfere with the signals from the master product.



The [Operation](#) chapter of this manual provides detailed instructions on how to configure the Master/Slave products.

Mounting

Before mounting this product, read and follow the [Safety Notes](#) in this manual.

Orientation

Always mount this product in a safe position and make sure there is adequate room for ventilation, configuration, and maintenance.

Rigging

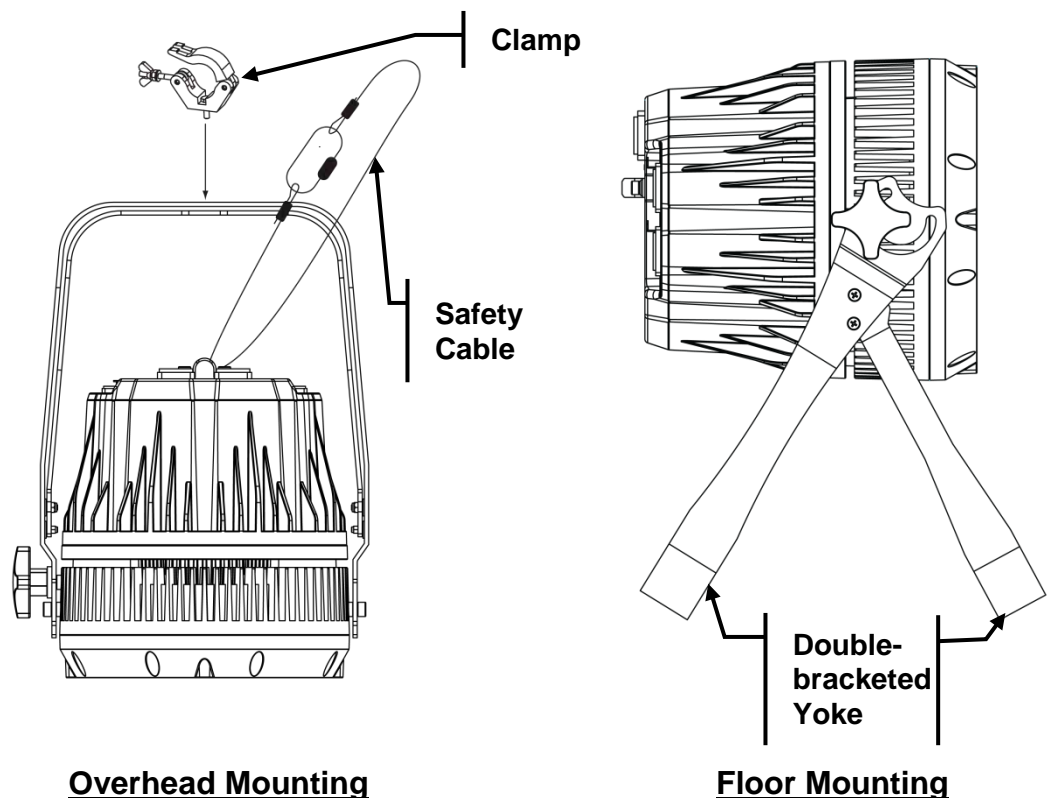
The COLORado™ 2 Zoom Tour consists of consists of a double-bracketed yoke and the body of the fixture. Chauvet recommends using the following general guidelines when mounting this product:

- When selecting an installation location, consider easy access to this product for operation, programming adjustments, and routine maintenance.
- Make sure to mount this product away from any flammable material as indicated in the [Safety Notes](#).
- Never mount in places where rain, high humidity, extreme temperature changes, or restricted ventilation may affect the product.
- If hanging this product, make sure that the mounting location can support the product's weight. Refer to the [Technical Specifications](#) chart for the weight-bearing requirements of this product.
- When hanging this product, always secure to a fastening device using a safety cable (included).

Procedure

The COLORado™ 2 Zoom Tour comes with a double-bracketed yoke to which you can attach clamps for hanging. These brackets can also serve as floor stands or wall-mount supports. You must supply your own clamps and make sure the clamps are capable of supporting the weight of this product. You must use at least one mounting point per product.

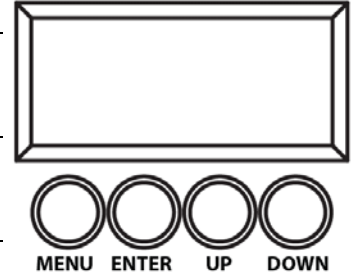
Product Mounting
Diagram



4. Operation

Control Panel Description

Button	Function
<MENU>	Exits from the current menu or function
<ENTER>	Enables the currently displayed menu or sets the currently selected value in to the current function
<UP>	Navigates upward through the menu list and increases the numeric value when in a function
<DOWN>	Navigates downward through the menu list and decreases the numeric value when in a function



Control Options

You can set the COLORado™ 2 Zoom Tour start address in the 001~512 DMX range. This enables control of up to 42 products in the 12-channel **TOUR** personality.

Programming

Refer to the [Menu Map](#) to understand the menu options. The menu map shows the main level and a variable number of programming levels for each option.

- To go to the desired main level, press <MENU> repeatedly until the option shows on the display. Press <ENTER> to select. This will take you to the first programming level for that option.
- To select an option or value within the current programming level, press <UP> or <DOWN> until the option shows on the display. Press <ENTER> to select. In this case, if there is another programming level, you will see that first option, or you will see the selected value.
- Press <MENU> repeatedly to exit to the previous main level.

DMX Personality

This setting allows you to choose a particular DMX personality.

1. Go to the **PERS** main level.
2. Select the desired personality (**ARC.1**, **HSV**, **AR1.D**, **ARC.2**, **AR2.D**, **AR2.S**, or **TOUR**).



- See the [DMX Values](#) section for the highest starting address you can select for each personality.
- Make sure that the starting addresses on the various products do not overlap due to the new personality setting.

DMX Control

In this mode, each product will respond to a unique starting address from the DMX controller. All products with the same starting address will respond in unison.

1. Select a DMX personality as shown in [DMX Personality](#).
2. Set the running mode:
 - a. Go to the **RUN** main level.
 - b. Select the **DMX** programming level.
3. Set the starting address:
 - a. Go to the **DMX** main level.
 - b. Select the starting address (**001~512**).

The highest recommended starting addresses for each DMX mode are as follows:



DMX Mode	DMX Address	DMX Mode	DMX Address	DMX Mode	DMX Address
TOUR	501	ARC.2	509	HSV	510
ARC.1	510	AR2.D	508	AR2.S	507
AR1.D	509				

Loss of Signal Setting

This setting controls how the product will respond when the DMX signal is lost.

1. Go to the **SET** main level, then select **DERR**.
 - a. Select **SAVE** to make the product use the last command used when the signal is lost.
 - b. Select **BLAC** to turn off the all the LED's when the signal is lost.

Zoom Limit Setting

This setting allows you to limit the zoom range using three (3) different modes.

Basic mode is the default setting and allows the zoom to be moved full range (**0~255**) and has no adjustable limit.

Position 1 and position 2 modes allow you to set limits on how far the zoom moves.

1. Set the mode to be used:
 - a. Go to the **SET** main level.
 - b. Select **ZOOM**
 - c. Select a mode (**BASE**, **POS.1**, or **POS.2**).
2. Set the limit for each mode:
 - a. Go to the **CAL** main level.
 - b. Enter the master access password as described in [Control Panel Lock](#)
 - c. When **CAL** shows, press **<UP>**.
 - d. Go to the **ZOOM**.
 - e. Select a mode (**POS.1** or **POS.2**).
 - f. Select a zoom limit value (**P.000~255**).

Static Color

The Static Color mode allows for permanent RGBW color mixing without a DMX controller.

1. Go to the **STAT** main level.
2. Select the desired color, zoom, and strobe values on the programming level. For example, **R.255, G.210, B.230, W.200, Z.255, S.15**. The strobe values are **0~20**.

Auto Programs

Auto programs allow for dynamic RGBW color mixing without a DMX controller.

1. Go to **AUTO**.
2. Select the desired auto (**AT. 01~10**) or custom program (**PR. C1~10**).



You cannot edit any of the auto programs (AT. 01~10). However, you can edit the custom programs (PR. C1~10). See Edit Customs below for details.

Edit Customs

This setting allows the programming of up to 30 scenes for each of the 10 customizable programs, including colors and effects.

1. Go to the **EDIT** main level.
2. Select the desired custom program (**PR.C1~10**).
3. Select the desired scene (**SC 01~30**).
4. Select the desired color, zoom, or effect and the value for each (**R.000~255**), (**G.000~255**), (**B.000~255**), (**W.000~255**), (**Z.000~255**), (**S.00~20**) (**T.000~255**), or (**F.000~255**).
5. Repeat to change the different colors or effects.
6. Return to the **SCENE** level (step "3").
7. Repeat the settings of colors and effects for the other scenes.

Master/Slave

The Master/Slave mode allows a group of COLORado™ 2 Zoom Tour's (the slave products) to simultaneously duplicate the output of another COLORado™ 2 Zoom Tour (the master product) without a DMX controller.

1. Set each of the slave products:
 - a. Go to **RUN**.
 - b. Select **SLAV**.
2. Set the master product:
 - a. Set the running mode to **DMX** as explained in [DMX Control](#).
 - b. Select an auto or custom program as explained in Auto Programs above, or a static mix of colors.



- **The master product is the one that runs a program (whether Auto or Custom) or Static Color mode.**
- **Do not connect a DMX controller to the products configured for Master/Slave operation. The DMX controller may interfere with signals from the master product.**
- **The master product should be the first product in the daisy chain.**

Color Settings

The **COLOR** setting determines how the COLORado™ 2 Zoom Tour generates the white color based on various RGB settings.

1. Go to the **SET** main level.
2. Select **COLR**.
3. Select **OFF**, **RGBW**, or **UC**.



OFF: When all the RGB faders are set to **255**, the output is maximum, although the resulting white color may not be balanced.

RGBW: When all the RGB faders are set to **255**, the resulting output is defined by the configured White color (see [Whites Calibration](#)).

UC: When all the RGB faders are set to **255**, the output matches that of less efficient products (Universal Color).

Dimmer Curves

This setting determines how fast the output of the COLORado™ 2 Zoom Tour changes when you modify the values of the Red, Green, Blue, White, and Dimmer faders. This setting provides four different options to simulate the dimming curve of an incandescent lighting product.

1. Go to the **SET** main level.
2. Select **DIMMER**.
3. Select a dimmer curve (**OFF**, **DIM1**, **DIM2**, **DIM3**, or **DIM4**).



OFF: The output is proportional (linear) to the Dimmer and RGBW channel values.

DIM1~4: The output follows the Dimmer and RGBW channel values based on the corresponding dimmer curve, being **DIM1** the fastest and **DIM4** the slowest.

Control Panel Lock

This setting enables you to activate or disable the control panel lock, which keeps non-authorized personnel from changing the product's settings.

1. Go to the **KEY** main level.
2. Select **ON** or **OFF**.



When the control panel lock is active, the product will prompt you to enter the password after 30 seconds of control panel inactivity or after turning on the product.

After being prompted to enter the password:

Press **<UP>**, **<DOWN>**, **<UP>**, **<DOWN>**, and **<ENTER>**.

Program Upload

This option allows you to copy the custom programs of one COLORado™ 2 Zoom Tour onto other COLORado™ 2 Zoom Tour by using the Master/Slave mode.

1. Configure and connect the products in a Master/Slave arrangement, where the master product has the custom programs you want to transfer to the slave products.
2. From the master product, go to the **SET** main level.
3. Select **UPLD**.
4. When **PASS** shows, press **<ENTER>**.
5. Enter the master access password as shown in [Control Panel Lock](#).
6. When **SEND** shows, press **<ENTER>** to start the upload.
7. Wait for the upload process to finish (the display will show **END** before continuing or turning the products off.)

The Master/Slave products will provide the status of the process by lighting up as follows:



- **Yellow indicates that the upload process is running.**
- **Green indicates that the upload process completed successfully.**
- **Red indicates that the upload process failed due to an error. Recheck all cable connections and restart the process. If the issue persists, contact Chauvet Technical Support.**



DO NOT upload the data from a COLORado™ 2 Zoom Tour to a different product. The other product may become inoperative.

- Reset** This setting allows you to reset the COLORado™ 2 Zoom Tour to the default values, including the custom programs.
1. Go to the **SET** main level.
 2. Select **REST**.
 3. When **PASS** shows, press **<ENTER>**.
 4. Enter the master access password as described in [Control Panel Lock](#).
 5. Wait for the reset process to finish (the display will show **END** before continuing or turning the products off).

- Whites Setting** This setting allows you to select and edit the temperature of the white colors used in channel 6 (Macros) when in the TOUR mode. You can also define the maximum RGB values when RGB to White (**RGB.W**) is active.
1. Go to the **CAL** main level.
 2. Enter the master access password as described in [Control Panel Lock](#)
 3. When **CAL** shows, press **<UP>**.
 4. Go to **WT**.
 5. Select a white color (**WH.01~11**).
 6. Select a value for each color (**R.000~255**), (**G.000~255**), (**B.000~255**), and (**W.000~255**).
 7. Repeat for the other white colors.

- White Calibration** This setting allows you to select the white color shown by the COLORado™ 2 Zoom Tour when the color setting is **RGB.W** and the DMX controller's Red, Green, and Blue faders are set to "255."
1. Go to the **CAL** main level.
 2. Enter the master access password as described in [Control Panel Lock](#)
 3. When **CAL** shows, press **<UP>**.
 4. Go to **RGBW**.
 5. Select **RGB.W** level.
 6. Select a value for each color (**R.000~255**), (**G.000~255**), and (**B.000~255**).



When selecting CAL > RGBW > RGB.W, you will only be able to define the values of RED, GREN (green), and BLUE.



The values of RED, GREN (green), and BLUE configured from CAL > RGBW > RGB.W will define the color temperature shown when the RGB faders are set to "255" if SET > COLR > RGBW is active.

TOUR Notes

These notes clarify the way the **TOUR** DMX personality works.

Master Dimmer

- Channel 1 controls the intensity of the currently projected color.
- When the slider is at the highest position (**100%**), the intensity of the output is at maximum.

Red, Green, Blue, and White Color Selection

- Channels 2 through 5 control the intensity ratio of each of the Red, Green, Blue, and White LEDs.
- When these channels are at the highest position (**100%**), the intensity of each color is at maximum if **SET > COLR** is **OFF**.
- You can combine channels 2 through 5 to create over one trillion colors.

Color Macros

- Channel 6 selects the required Color Macro.
- Channel 6 has priority over channels 2 through 5.
- Channel 1 controls the intensity of the Color Macro.

Strobe

- Channel 7 controls the strobe frequency (not the intensity) of channels 2 through 6.
- Channel 7 can strobe channels 2 through 5 when not running macros, allowing the individual faders (R, G, B, and W), as well as channel 1 (D), to control the output intensity.
- Channel 7 can strobe channel 6 when running macros, allowing channel 6 to select the macro and channel 1 to control the output intensity.

Auto/Custom

- Channel 8 selects the preset auto programs **AT.01~10** or the custom programs **PR.C1~10**.
- When activating the custom programs **PR.C1~10**, you can control the Step Time and Fade Time using channels 2 and 3, respectively.
- Channel 8 has priority over channels 2 through 7.
- Channel 9 controls the speed at which each auto program plays.

Dimmer Speed

- Channel 10 selects the Dimmer mode and speed. Dimmer mode provides four different options to simulate the dimming curve of an incandescent lighting product.
- When Dimmer is set to **OFF**, the changes in the RGBW and Master Dimmer faders are linear.
- When Dimmer is set to **DIM1~DIM4**, **DIM1** is the fastest dimmer curve and **DIM4** is the slowest.

Zoom Selection

- Channel 11 controls the zoom function.

Zoom Reset

- Channel 12 resets the zoom function to the starting position.

Menu Map

Main Level	Programming Levels			Description	
STAT	R.		000~255 (0~100%)	User can combine Red, Green, Blue and White to generate a custom color	
	G.				
	B.				
	W.				
	Z.			Changes the beam angle	
	STRB		00~20 (0~20 Hz)	Select a strobe frequency (0~20 Hz)	
AUTO	AT. 01~10			Choose from 10 automatic programs	
	PR. C1~10			Choose from 10 customizable programs	
RUN	DMX			Receives signals from DMX controller	
	SLAV			Receives signals from Master unit	
DMX	001~512			Sets the DMX starting address	
PERS	ARC.1			3-channel: RGB control	
	AR1.D			4-channel: RGB, dimmer	
	ARC.2			4-channel: RGBW	
	AR2.D			5-channel: RGBW, dimmer	
	AR2.S			6-channel: RGBW, dimmer, strobe	
	HSV			3-channel: HSV control	
	TOUR			12-channel: RGBW, dimmer, strobe, macro, auto/custom, dimmer speed, auto speed, zoom, zoom reset	
EDIT	PR. (C1~10)	SC. (01~30)	R.	000~255 (0~100%)	User can combine Red, Green, Blue, and White to generate a custom color (0~100%)
			G.		
			B.		
			W.		
			Z.		
	S.	00~20 (0~20 Hz)	Selects the strobe frequency (0~20 Hz)		
	T.	000~255 (0~100%)	Defines the step duration (0~100%)		
	F.		Defines the fade duration (0~100%)		

Continues on the next page

Main Level	Programming Levels					Description	
SET	UPLD		Enter password			Defaults product	
	REST		Enter password			Defaults product	
	DIM		OFF			No dimmer	
			DIM1~4			Dimmer curve	
	DERR		BLAC			All LED's turn off when DMX signal is lost	
			SAVE			All LED's stay on the last command used when the DMX signal is lost	
	COLR		OFF			RGB set to "255" = max. output	
			RGBW			RGB set to "255" = balanced white	
			UC			Universal color balance	
	ZOOM		BASE			Sets default zoom position (full movement)	
POS.1			Sets position 1 setting for zoom limit				
POS.2			Sets position 2 setting for zoom limit				
KEY	On/Off					Turns the password on or off	
CAL	PASS (Enter password)	CAL	WT	WH. (1~11)	R.	000~255 (0~100%)	Modifies the color macros used in the TOUR personality
					G.		
					B.		
					W.		
			RGBW	RGB.W	R.	000~255 (0~100%)	Defines the color temperature used when COLOR is set to RGB to W
					G.		
ZOOM	ZOOM	POS.1	P. 000~255 (0~100%)	Sets the min/max position of the zoom function			
		POS.2					

DMX Values

TOUR	Channel	Function	Value	Percent/Setting
	1	Dimmer	000 ó 255	0~100%
	2	Red	000 ó 255	0~100%
		Step Time		When CUS. 01-10 in CH. 8 is activated
	3	Green	000 ó 255	0~100%
		Step Time		When CUS. 01-10 in CH. 8 is activated
	4	Blue	000 ó 255	0~100%
	5	White	000 ó 255	0~100%
	6	Color Macro + White Balance	000 ó 010	No Function
			011 ó 030	R: 100% G: 0~100% B: 0%
			031 ó 050	R: 100~0% G: 100% B: 0%
			051 ó 070	R: 0% G: 100% B: 0~100%
			071 ó 090	R: 0% G: 100~0% B: 100%
			091 ó 110	R: 0~100% G: 0% B: 100%
			111 ó 130	R: 100% G: 0% B: 100~0%
			131 ó 150	R: 100% G: 0~100% B: 0~100%
			151 ó 170	R: 100~0% G: 100~0% B: 100%
			171 ó 200	R: 100% G: 100% B: 100% W: 100%
			201 ó 205	White 1
			206 ó 210	White 2
			211 ó 215	White 3
			216 ó 220	White 4
			221 ó 225	White 5
			226 ó 230	White 6
			231 ó 235	White 7
	236 ó 240	White 8		
	241 ó 245	White 9		
	246 ó 250	White 10		
	251 ó 255	White 11		
	7	Strobe	000 ó 009	No Function
			010 ó 255	0~20 Hz
	8	Auto + Custom Programs	000 ó 040	No Function
			041 ó 049	Auto 1
			050 ó 059	Auto 2
			060 ó 069	Auto 3
			070 ó 079	Auto 4
			080 ó 089	Auto 5
			090 ó 099	Auto 6
			100 ó 109	Auto 7
			110 ó 119	Auto 8
			120 ó 129	Auto 9
			130 ó 139	Auto 10
			140 ó 149	Custom 1
			150 ó 159	Custom 2
			160 ó 169	Custom 3
			170 ó 179	Custom 4
			180 ó 189	Custom 5
			190 ó 199	Custom 6
	200 ó 209	Custom 7		
	210 ó 219	Custom 8		
	220 ó 229	Custom 9		
	230 ó 255	Custom 10		

Continues on the next page

TOUR (cont.)	Channel	Function	Value	Percent/Setting
		9	Auto Speed	000 ó 255
	10	Dimmer Speed	000 ó 009 010 ó 029 030 ó 069 070 ó 129 130 ó 189 190 ó 255	Preset dimmer speed from control panel Linear dimmer Nonlinear dimming curve 1 (fastest) Nonlinear dimming curve 2 Nonlinear dimming curve 3 Nonlinear dimming curve 4 (slowest)
	11	Zoom	000 ó 255	0~100%
	12	Zoom Reset	000 ó 200 201 ó 220 221 ó 255	No function Zoom reset No function

ARC.1	Channel	Function	Value	Percent/Setting
	1	Red	000 ó 255	0~100%
	2	Green	000 ó 255	0~100%
	3	Blue	000 ó 255	0~100%

AR1.D	Channel	Function	Value	Percent/Setting
	1	Dimmer	000 ó 255	0~100%
	2	Red	000 ó 255	0~100%
	3	Green	000 ó 255	0~100%
	4	Blue	000 ó 255	0~100%

ARC.2	Channel	Function	Value	Percent/Setting
	1	Red	000 ó 255	0~100%
	2	Green	000 ó 255	0~100%
	3	Blue	000 ó 255	0~100%
	4	White	000 ó 255	0~100%

AR2.D	Channel	Function	Value	Percent/Setting
	1	Dimmer	000 ó 255	0~100%
	2	Red	000 ó 255	0~100%
	3	Green	000 ó 255	0~100%
	4	Blue	000 ó 255	0~100%
	5	White	000 ó 255	0~100%

AR2.S	Channel	Function	Value	Percent/Setting
	1	Dimmer	000 ó 255	0~100%
	2	Red	000 ó 255	0~100%
	3	Green	000 ó 255	0~100%
	4	Blue	000 ó 255	0~100%
	5	White	000 ó 255	0~100%
	6	Strobe	000 ó 009 010 ó 255	No Function 0~20 Hz

HSV	Channel	Function	Value	Percent/Setting
	1	Hue	000 ó 255	0~100%
	2	Saturation	000 ó 255	0~100%
	3	Value	000 ó 255	0~100%

5. Technical Information

Product Maintenance

To maintain optimum performance and minimize wear, you should clean this product frequently. Usage and environment are contributing factors in determining the cleaning frequency.

As a rule, clean this product at least twice a month. Dust build-up reduces light output performance and can cause overheating. This can lead to reduced light source life and increased mechanical wear.

To clean your product:

- Unplug the product from power.
- Wait until the product has cooled.
- Use a vacuum (or dry compressed air) and a soft brush to remove dust collected on the external vents and accessible internal components.
- Clean all external surfaces with a mild solution of non-ammonia glass cleaner or isopropyl alcohol.
- Apply the solution directly to a soft, lint-free cotton cloth or a lens cleaning tissue.
- Wipe any dirt or grime to the outside edges of the lens surface.
- Gently polish the lens surfaces until they are free of haze and lint.



Always dry the external surfaces thoroughly and carefully after cleaning them.

Troubleshooting Guide

Symptom	Cause(s)	Action(s)
Zoom does not move	Position settings are incorrect Faulty zoom motor/motors Wrong personality	Check settings as explained in Zoom Limit Setting Send product for repair Change the personality
Product does not light up	Dimmer fader set to "0" All color faders set to "0" All colors in Static mode are set to "0" No power Faulty internal power supply Faulty main control board	Increase the value of the dimmer channel Increase the value of the color channels Increase the values of the colors Verify external power circuit and wiring Send product for repair
One of the LEDs does not work	Faulty LED Faulty LED module Faulty LED driver	Send product for repair
Two or more LEDs do not work on a single module	Faulty LED module Faulty LED driver	Send product for repair
The wrong LEDs light up when using DMX	Wrong personality Wrong DMX address	Change the personality Change the DMX address
Product does not power up	No power Loose or damaged power cord Faulty internal power supply	Check for voltage on outlet Check power cord Send product for repair
Product does not respond to wired DMX or responds erratically	Wrong DMX addressing Damaged DMX cables Wrong polarity on the controller Loose DMX cables Non-DMX cables Bouncing signals Long cable/low-level signal Too many products Interference from AC wires Faulty Display/Main/DMX interface board	Check product addressing Check DMX cables Check polarity switch settings on the controller Check cable connections Use only DMX-compatible cables Install terminator as suggested Install an optically coupled DMX splitter before a long section of cable or right after the product with the strong signal Install an optically coupled DMX splitter after product #32 Keep DMX cables separated from power cables or fluorescent/black lights Send product for repair



If you still experience technical problems after trying the above solutions or if you need to send the product for repair, contact [Chauvet Technical Support](#).

Returns Procedure

You must send the product prepaid, in the original box, and with the original packing and accessories. Chauvet will not issue call tags.

Call Chauvet and request a Return Merchandise Authorization (RMA) number before shipping the product. Be prepared to provide the model number, serial number, and a brief description of the cause(s) for the return.

Clearly label the package with an RMA number. Chauvet will refuse any product returned without an RMA number.



DO NOT write the RMA number directly on the box. Instead, write it on a properly affixed label.

Once you have received the RMA number, include the following information on a piece of paper inside the box:

- Your name
- Your address
- Your phone number
- The RMA number
- A brief description of the problem(s)

Be sure to pack the product properly. Any shipping damage resulting from inadequate packaging will be the customer's responsibility. Proper FedEx packing or double-boxing are the packaging methods Chauvet recommends.



Chauvet reserves the right to use its own discretion to repair or replace returned product(s).

Contact Us

World Headquarters

Chauvet

General Information

Address: 5200 NW 108th Avenue
Sunrise, FL 33351 (USA)
Voice: 954-929-1115
Fax: 954-929-5560
Toll free: (800) 762-1084

Technical Support

Voice: 954-929-1115 (Press 4)
Fax: 954-756-8015
Email: tech@chauvetlighting.com

World Wide Web

www.chauvetpro.com

United Kingdom & Ireland

Chauvet Europe Ltd.

General Information

Address: Unit 1C
Brookhill Road Industrial Estate
Pinxton, Nottingham (UK)
NG 16 6NT
Voice: +44 (0)1773 511115
Fax: +44 (0)1773 511110

Technical Support

Voice: +44 (0)1773 511115 (Ext 205)
Email: uktech@chauvetlighting.com

World Wide Web

www.chauvetlighting.co.uk

Outside the U.S., United Kingdom, or Ireland, contact your distributor of record. Follow their instructions to request support or to return a product. Visit our website for contact details.

Technical Specifications

Dimensions and Weight	Length	Width	Height	Weight
	9.3 in (237 mm)	11.9 in (302 mm)	14.1 in (358 mm)	18.5 lbs (8.39 kg)

Note: Dimensions in inches rounded to the nearest decimal digit.

Electrical	Power Supply Type	Range	Voltage Selection
	Switching (internal)	100~240 V, 50/60 Hz	Auto-ranging

Parameter	120 V, 60 Hz	230 V, 50 Hz
Consumption	214 W	197 W
Operating	1.77 A	0.90 A
Power linking products	7	15

Power I/O	US/Worldwide	Europe
Power input connector	Neutrik® powerCON® A	Neutrik® powerCON® A
Power output connector	Neutrik® powerCON® B	Neutrik® powerCON® B
Power cord plug	Edison (U.S.)	Local plug

Light Source	Type	Power	Lifespan
	LED	3 W	50,000 hours

Color	Quantity	Current
Red	17	661 mA
Green	17	930 mA
Blue	17	931 mA
White	10	948 mA

Photo Optic	Parameter	Standard Optics
	Illuminance @ 5 m	5,190 lx (7.7°)~620 lx (35°)
	Beam angle	7.7°~35°
	Field angle	13.5°~48°

Thermal	Max. External Temperature	Cooling System
	104° F (40° C)	Convection

DMX	I/O Connectors	Connector Type	Channel Range
	3- and 5-pin XLR	Sockets	3, 4, 5, 6, 12

Ordering	COLORado™ 2 Zoom Tour	Item Code	UPC Number
	COLORado™ 2 Zoom Tour	01030455	781462208073



UL 1573
 CSA C22.2 No. 166
 E113093

Chauvet

5200 NW 108th Avenue
Sunrise, FL 33351 (USA)
Toll free (800) 762-1084, Local 954-929-1115
Fax 954-929-5560
www.chauvetlighting.com

COLORado™ 2 Zoom Tour User Manual Rev. 01
© Copyright 2014 Chauvet
All rights reserved.
Printed in the P. R. C.




It's Green Thinking®